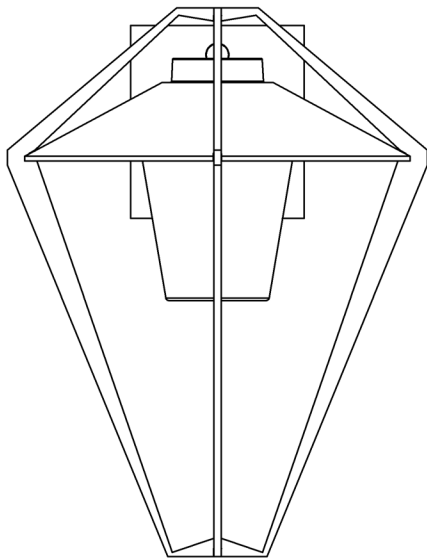


ASSEMBLY & INSTALLATION INSTRUCTIONS

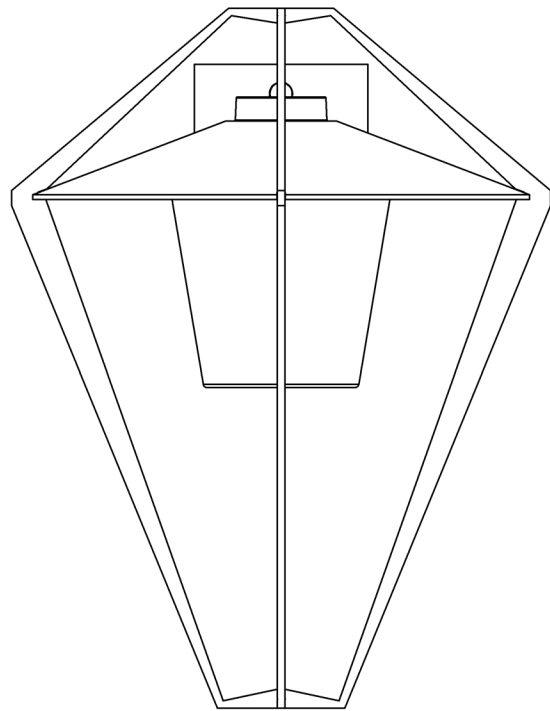
B491

Stellar Outdoor Sconce Small 302651 & Large 302652



302651

Shown in Illustrations



302652

Component Parts

- A Fixture**
- B Mounting Bracket**
- C Anchors (4)**
- D #10 Screws (4)**
- E Ground Screw**
- F Cupped Washer**
- G Caulking Lip**
- H #8 Screws (2)**
- I Rubber Washer**
- J Socket**
- K Glass**
- L Cup**
- M Threaded Stud w/ Ball (4)**



ASSEMBLY & INSTALLATION INSTRUCTIONS

B491

Stellar Outdoor Sconce Small 302651 & Large 302652

CAUTION: FAILURE TO INSTALL THIS FIXTURE PROPERLY MAY RESULT IN SERIOUS PERSONAL INJURY OR DEATH AND PROPERTY DAMAGE. We recommend installation by a licensed electrician. This product must be installed in accordance with applicable installation code(s), by a person familiar with the construction and operation of the product and the hazards involved.*

Caution: Do not exceed maximum wattage noted on fixture. Use only recommended bulbs with fixture.

Please Note: After installation extra hardware and accessories are possible; our kits are used on multiple products.

To Install Fixture (Figures 1 & 2 - on next page)

CAUTION: BE SURE POWER IS OFF AT THE MAIN BREAKER BOX PRIOR TO INSTALLATION.

1. Carefully unpack the fixture (A) from the carton.
2. Remove mounting bracket (B) from fixture (A).
3. Place the mounting bracket (B) over the electrical box being sure to hold it level. Line up holes in mounting bracket with holes in electrical box. With a pencil, mark the location of all mounting holes in the mounting bracket on the wall behind. Set bracket aside.
4. Drill 1/4" holes in the locations marked on the wall. Place the tapered end of the anchors (C) into the holes and gently tap them flush to the wall using a light weight hammer.
5. Thread the wires in the electrical box through the hole in the mounting bracket (B) while moving the bracket into position. Using (2) #8 machine screws (not provided), attach the bracket securely to the junction box.
Note: A new electric box comes with screws. When replacing an existing fixture, retain screws for use with the new fixture
6. Using #10 screws (D), screw the bracket securely to the wall. Be careful not to over-tighten or strip the anchors (C).
7. Attach a pigtail lead to the mounting bracket (B) using the ground screw (E) and cupped washer (F) found in kit bag.
8. Hold fixture (A) close to wall. Using suitable wire connectors (not provided), connect fixture wires to supply wires (white to white and black to black). Connect all ground wires (bare copper or green to bare copper or green).

CAUTION: MAKE SURE WIRE CONNECTORS ARE TWISTED ON SECURELY, AND NO BARE WIRE IS EXPOSED.

9. Apply a generous bead of a suitable caulking material (not provided) to caulking lip (G) on the fixture (Figure 2).
10. Place fixture (A) over mounting bracket (B). Secure with #8 screw (H) and rubber washer (I) on top and #8 screw (H) in bottom of fixture.

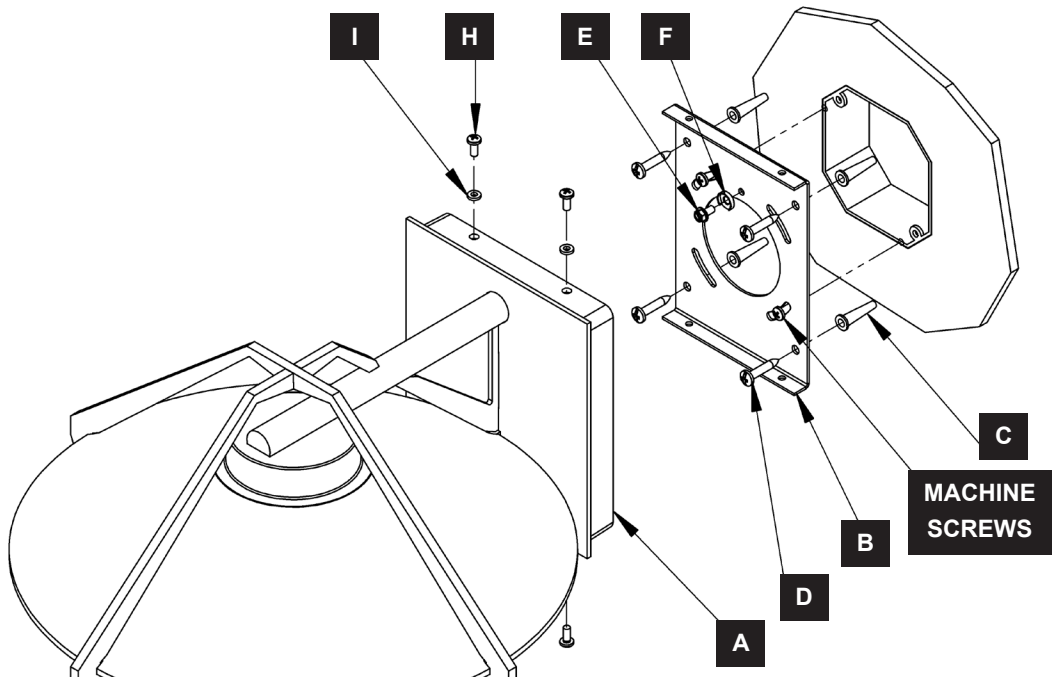
CAUTION: BE SURE NO WIRES ARE PINCHED BETWEEN THE WALL AND FIXTURE.

11. Follow steps on remaining pages to complete installation.

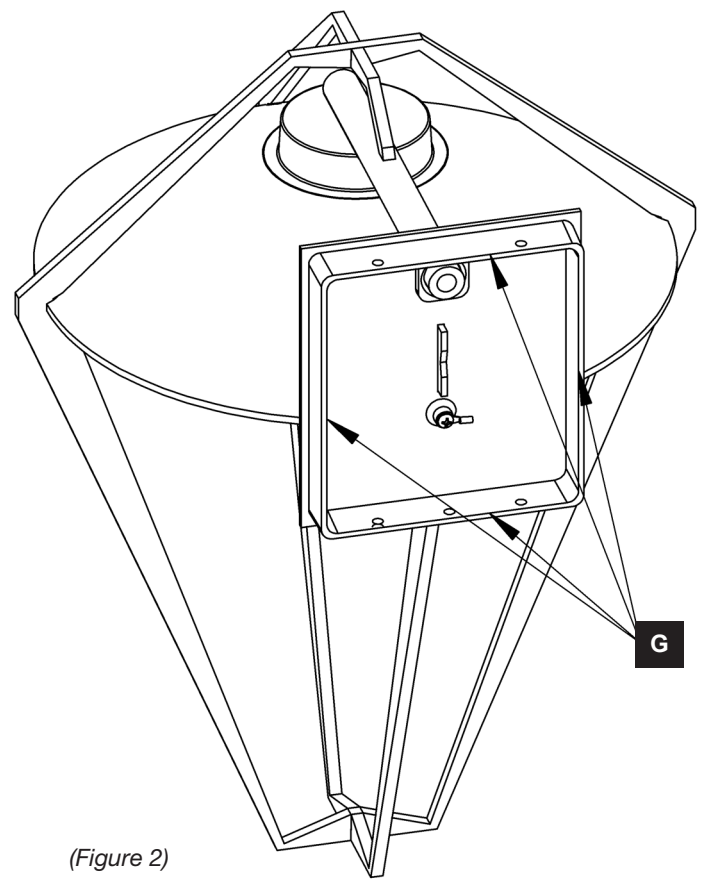
ASSEMBLY & INSTALLATION INSTRUCTIONS

B491

Stellar Outdoor Sconce Small 302651 & Large 302652



(Figure 1)



(Figure 2)

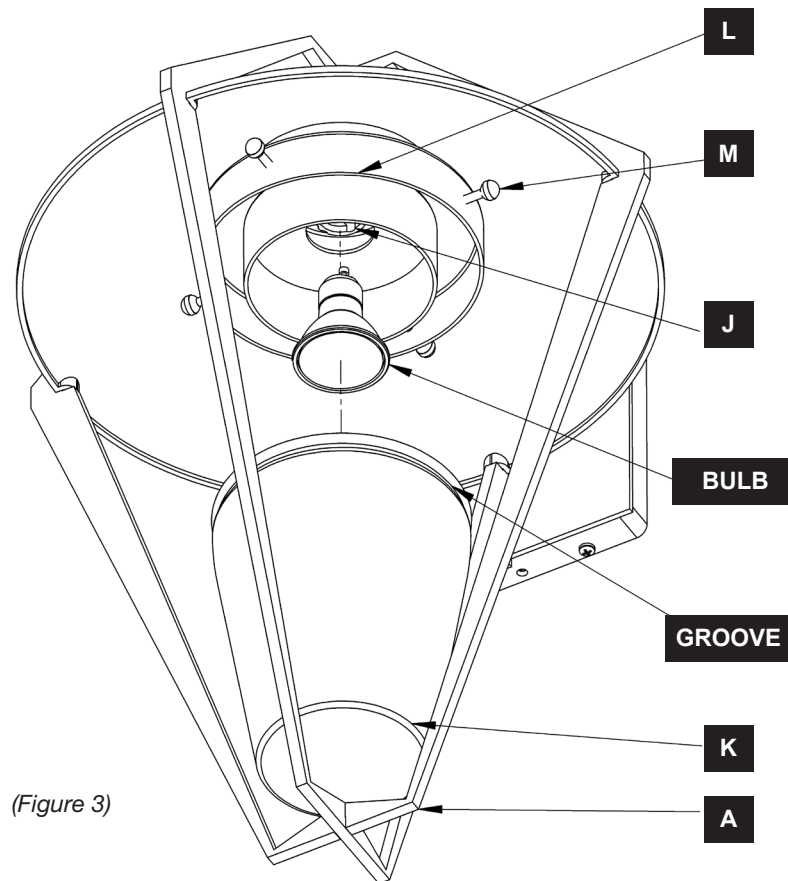
Stellar Outdoor Sconce Small 302651 & Large 302652

To Install Glass (Figure 3)

1. Unpack glass (K).
2. Install bulb (not included) into socket (J).
3. Place glass (K) inside frame of fixture (A) and raise up to cup (L).
4. Align groove in glass (K) with threaded studs (M) in cup (L).

Note: Threaded studs are shipped installed. It may be necessary to loosen studs to allow glass (K) to pass into cup (L).

5. Tighten threaded studs (M) evenly to secure glass (K).
Note: Do not overtighten studs as this could break glass.
6. Restore electricity at main breaker.



If you need further assistance, or find that you are missing any parts, please contact the dealer from which you purchased this product. We hope you enjoy your fixture!

*** Hubbardton Forge will not be liable for injury or damage caused by improper installation, lamping or use of this fixture.**