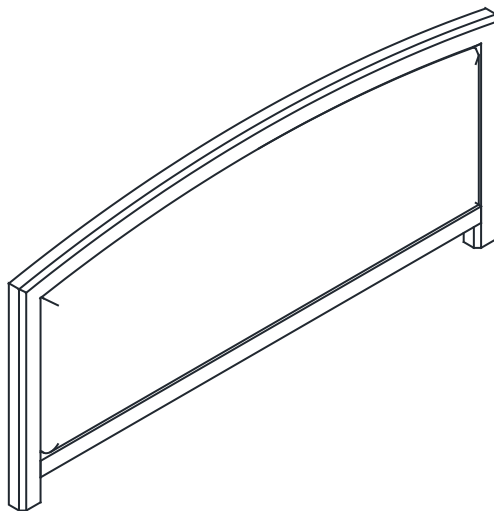
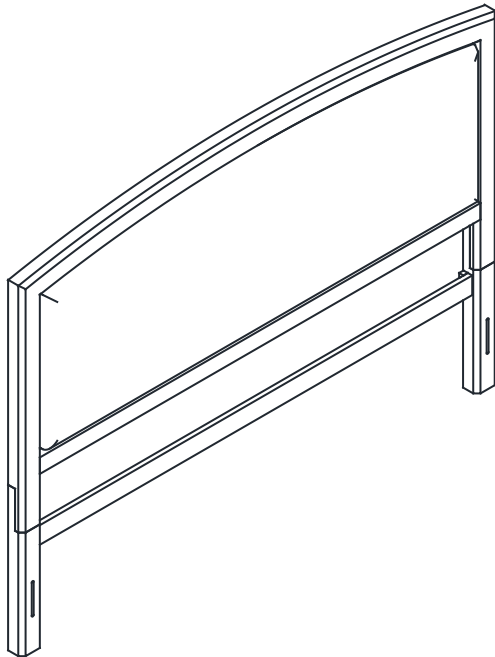
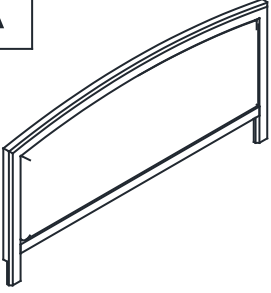


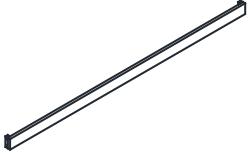
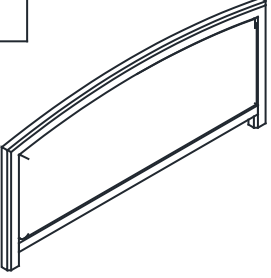



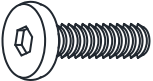
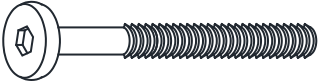





KING HEADBOARD / FOOTBOARD



PART LIST

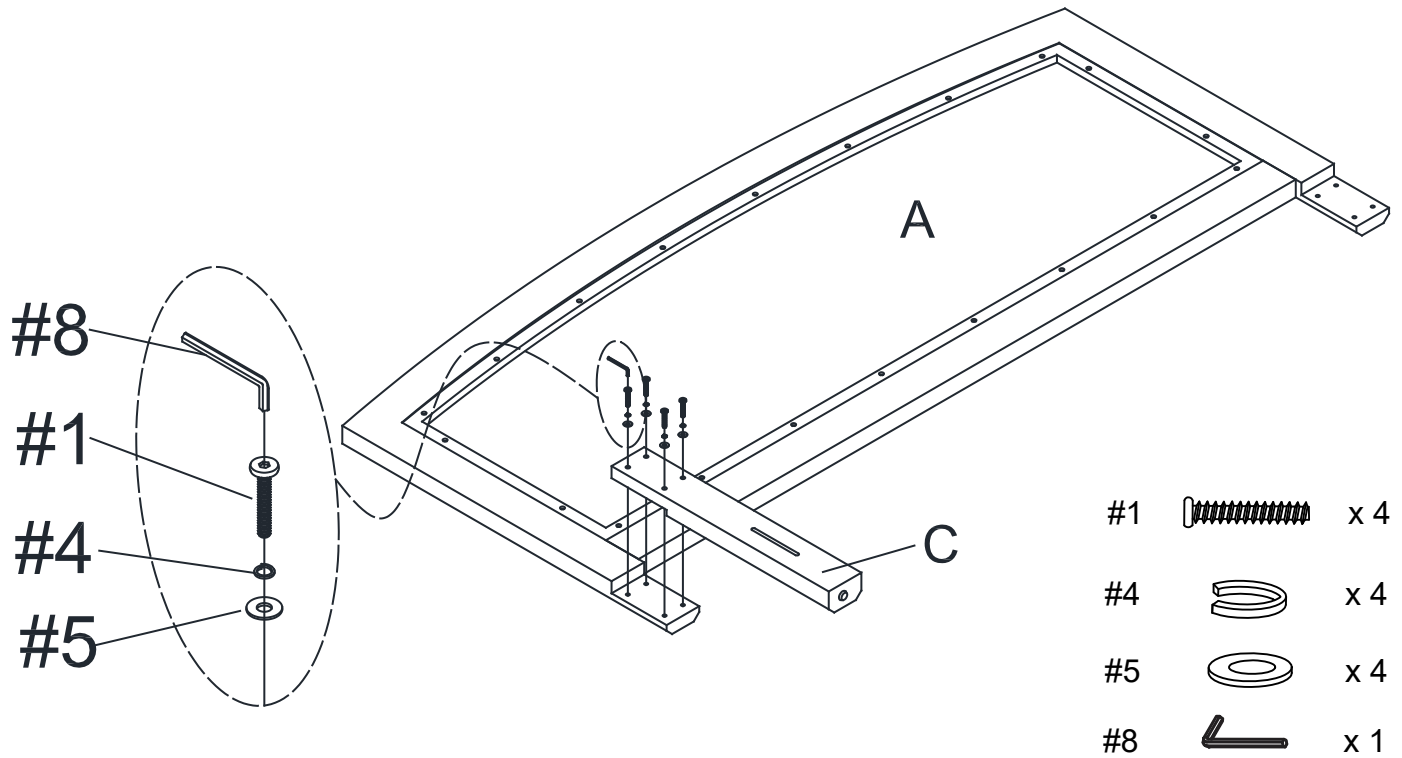
<p>A</p> 	<p>B</p> 	<p>C</p> 	<p>D</p> 
<p>Headboard Panel 1 PC</p>	<p>Left Leg Post 1 PC</p>	<p>Right Leg Post 1 PC</p>	<p>Bottom Stretcher 1 PC</p>
<p>E</p> 	<p>* Please note footboard will ship separately.</p>		
<p>Footboard Panel 1 PC</p>			

HARDWARE LIST

<p>#1</p>  <p>1-1/2" x Ø1/4" x D12</p>	<p>#2</p>  <p>3/4" x Ø1/4" x D12</p>	<p>#3</p>  <p>3" x Ø1/4" x D12</p>	<p>#4</p> 
<p>Medium Bolt 13 pcs(Extra 1)</p>	<p>Small Bolt 5 pcs(Extra 1)</p>	<p>Large Bolt 5 pcs(Extra 1)</p>	<p>Spring Washer 25 pcs(Extra 1)</p>
<p>#5</p> 	<p>#6</p> 	<p>#7</p> 	<p>#8</p> 
<p>Flat Washer 25 pcs(Extra 1)</p>	<p>Hex Nut 5 pcs(Extra 1)</p>	<p>Wrench 1 pc</p>	<p>Allen Wrench 1 pc</p>

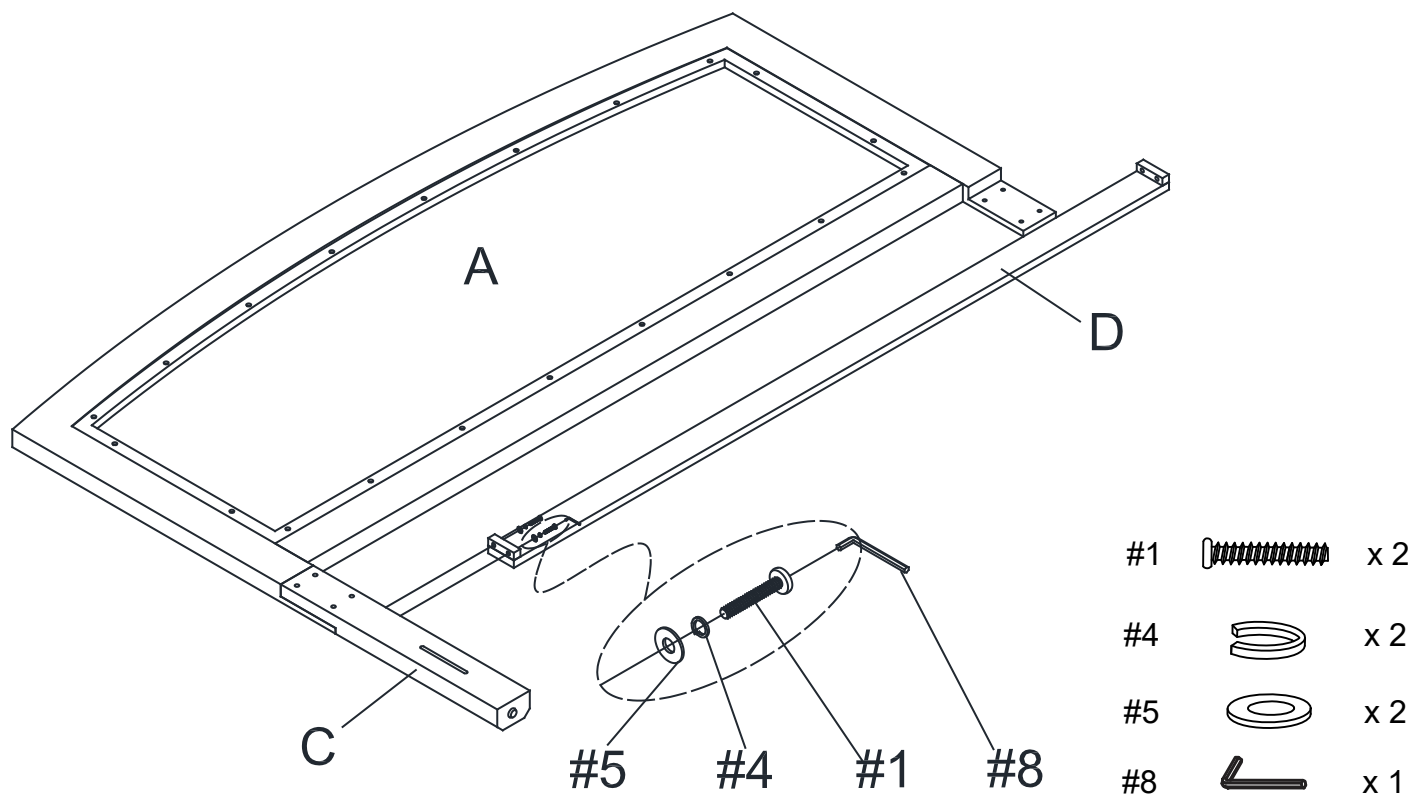
Step 1. Lay headboard panel (part A) down on a soft surface, such as carpet, as shown below. Attach right leg post (part C) to headboard panel (part A) using medium bolts (part #1), spring washers (part #4), flat washers (part #5) and allen wrench (part #8).

NOTE: Please do not fully tighten bolts until unit is fully assembled.



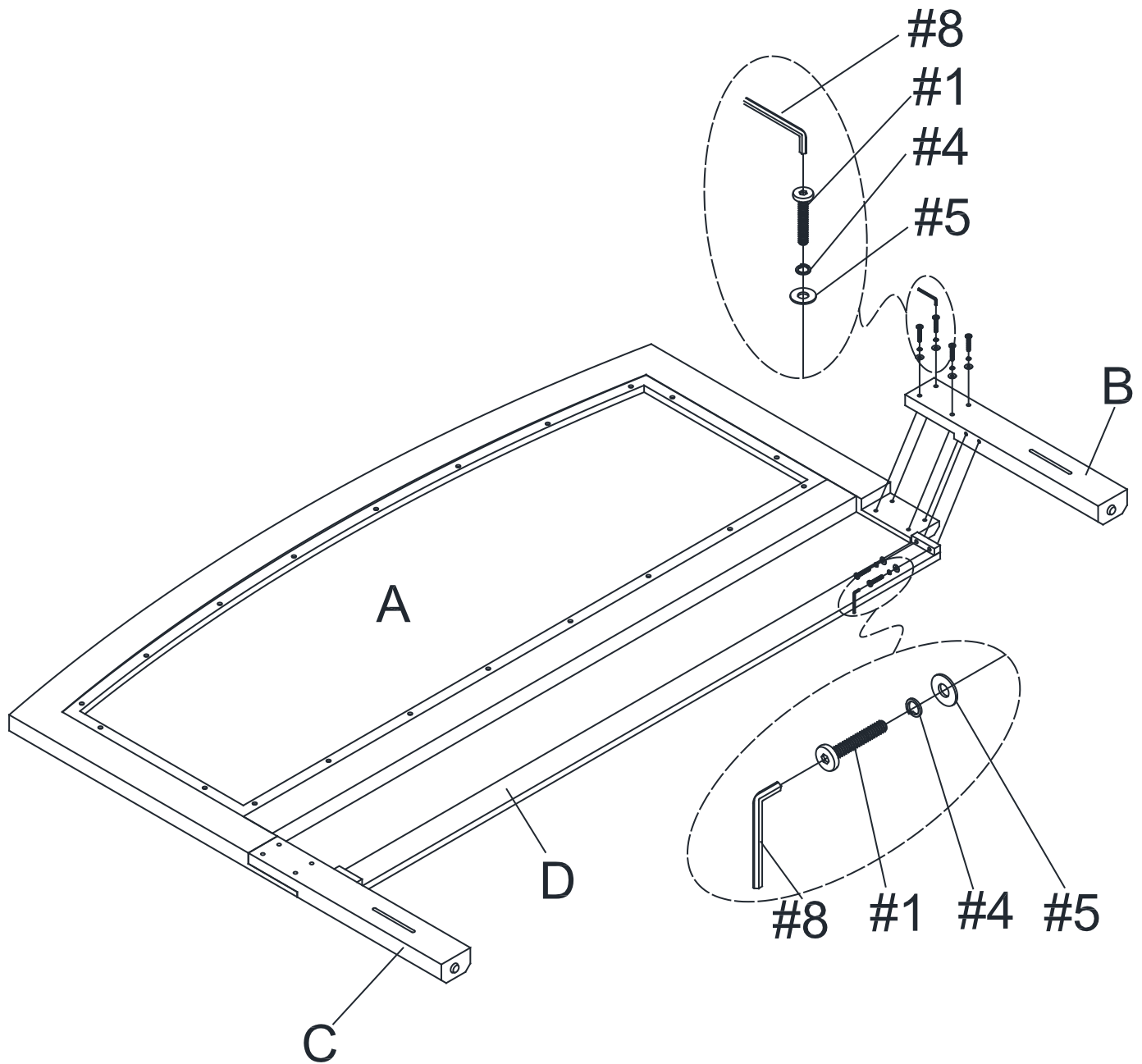
Step 2. Attach bottom stretcher (part D) to right leg post (part C) using medium bolts (part #1), spring washers (part #4), flat washers (part #5) and allen wrench (part #8).





NOTE: Please do not fully tighten bolts until unit is fully assembled.



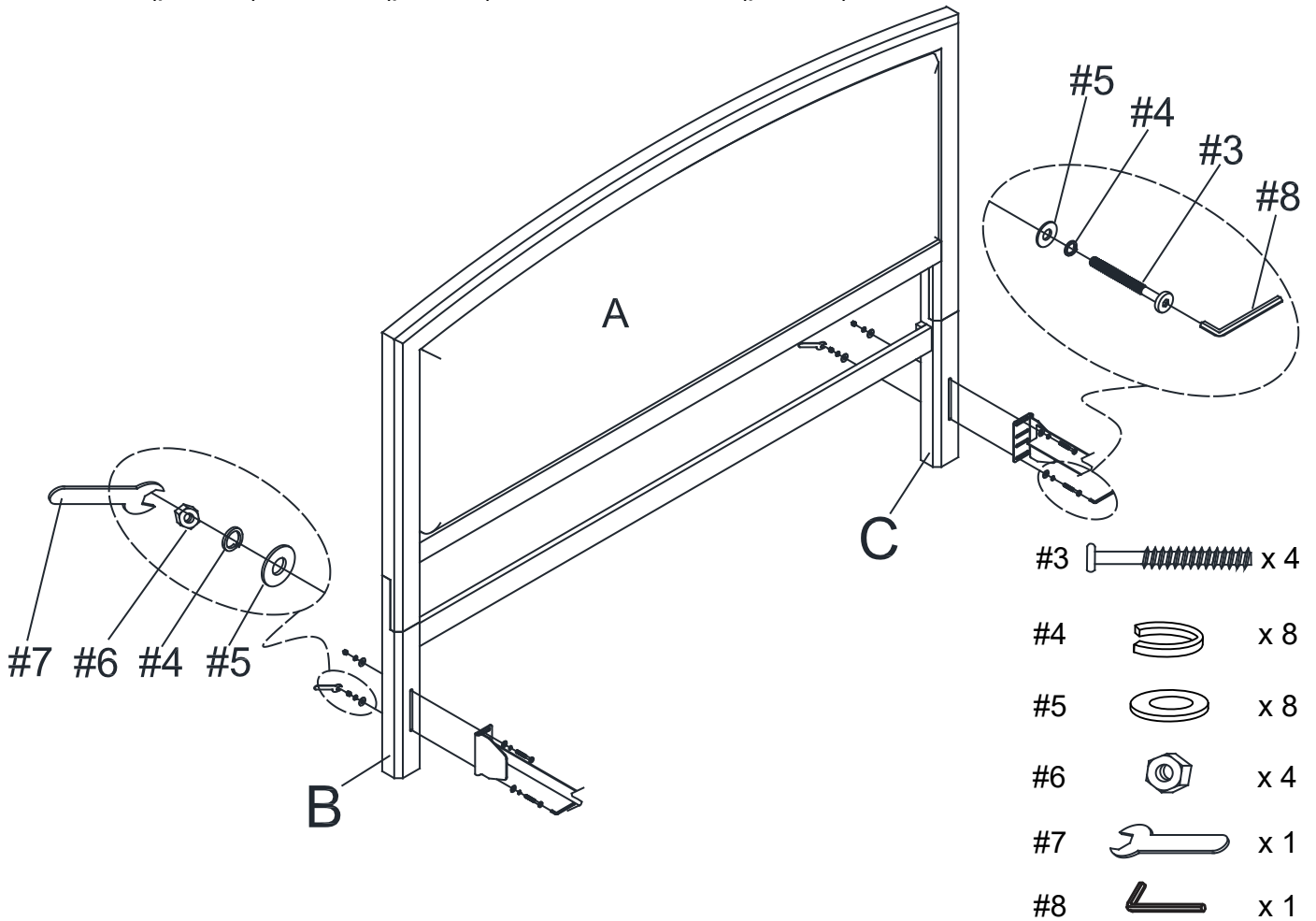
Step 3. Attach left leg post (part B) to headboard panel (part A) and bottom stretcher (part D) using medium bolts (part #1), spring washers (part #4), flat washers (part #5) and allen wrench (part #8).

NOTE: Please fully tighten all bolts at this time.



- | | | |
|----|---|-----|
| #1 |  | x 6 |
| #4 |  | x 6 |
| #5 |  | x 6 |
| #8 |  | x 1 |

Step 4. Attach bed frame (*Not Included) to left leg post (part B) and right leg post (part C) using large bolts (part #3), spring washers (part #4), flat washers (part #5), hex nuts (part #6), wrench (part #7) and allen wrench (part #8).



Step 5. Attach bed frame (*Not Included) to footboard panel (part E) using small bolts (part #2), spring washers (part #4), flat washers (part #5) and allen wrench (part #8).

