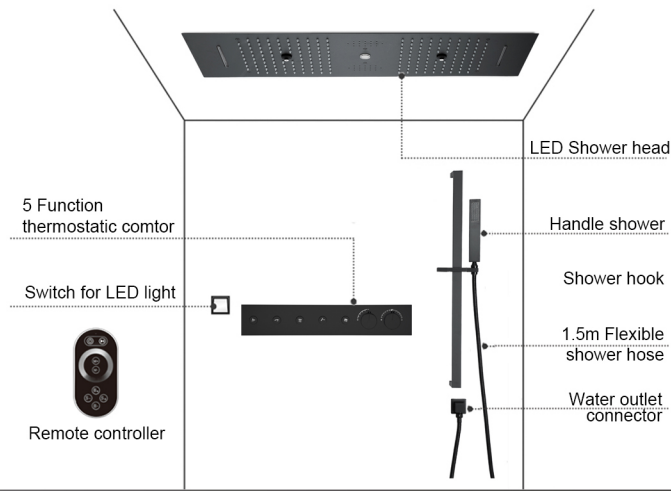


## Product Specification

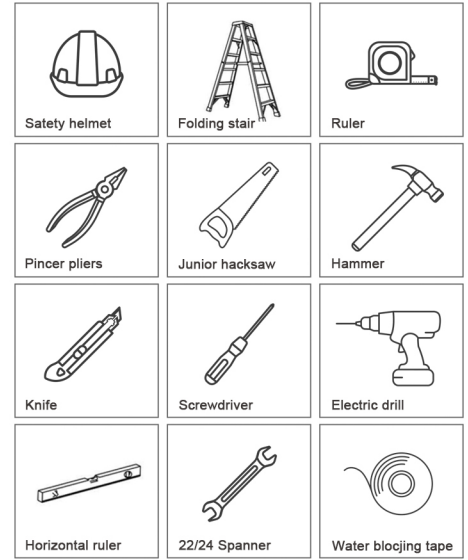


<p><b>Install Caution:</b></p> <p>Please read carefully these instructions before proceeding with the product installation. It is indispensable to flush through the supply pipes before installing and using the product.</p>	<p><b>Technical Data:</b></p> <p>Operating pressure=0.3-1MPa(3-10bar) Large differences in pressure between the hot and the cold water supply should be balanced. Recommended hot water temperature=60°C -70°C Maximum hot water temperature =70°C</p>	<p><b>Cleaning:</b></p> <p>It is recommended to clean the tap with a soapy solution. Never use cleaners containing acids, abrasives, or solvents. Towel dry any water left on the product after each use to avoid water spots on its surface. To avoid obstructions caused by scale buildup at the aerator it is recommended to periodically dismount it and submerge it in water with vinegar.</p>	<p><b>Cartridge Change:</b></p> <p>It is essential to turn off the water supply system (angle valve or stopcock) and to close the pop-up waste before beginning with the cartridge change. The stronger you tighten the cartridge nut, the harder the lever will move.</p>
--------------------------------------------------------------------------------------------------------------------------------------------------------------------------------------------------------------------------------	--------------------------------------------------------------------------------------------------------------------------------------------------------------------------------------------------------------------------------------------------------------------	-------------------------------------------------------------------------------------------------------------------------------------------------------------------------------------------------------------------------------------------------------------------------------------------------------------------------------------------------------------------------------------------------------------	--------------------------------------------------------------------------------------------------------------------------------------------------------------------------------------------------------------------------------------------------------------------------------

## Install Caution

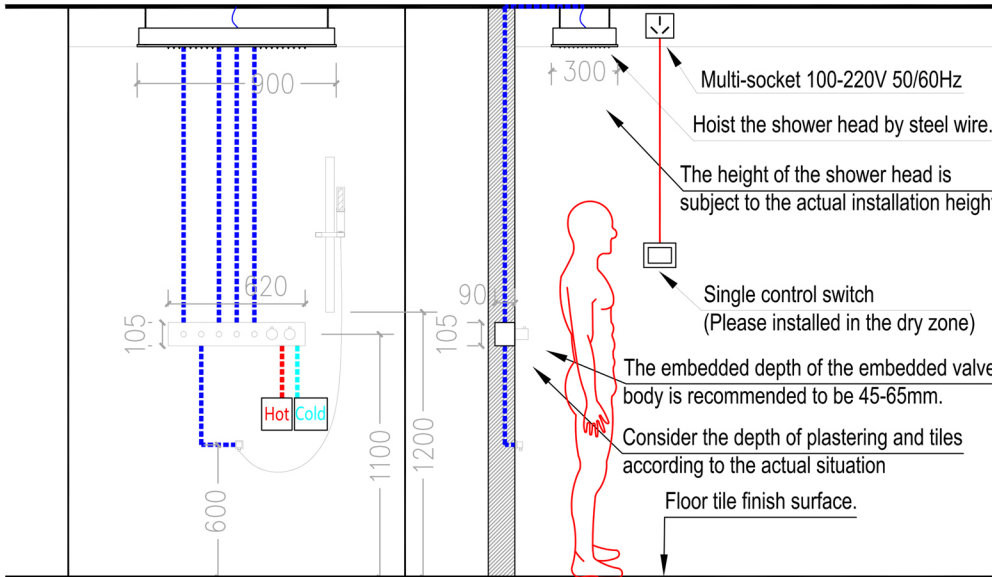
Please read the safety warnings carefully

Tools needed as below

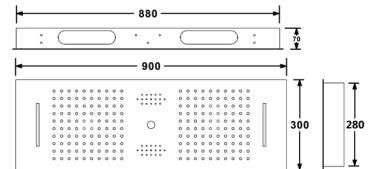


## Power / water pipe-layout

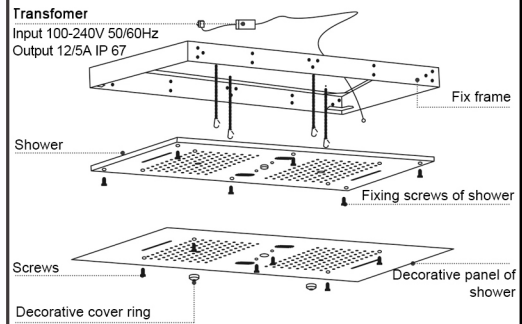
Before installation, well plan the pipe groove in the required position for the product according to the actual installation location of the wall and ceiling.  
(The following grooves are for reference only, and the actual location depends on individual needs)



## Luxury LED Shower spara parts Exterior Dimensions

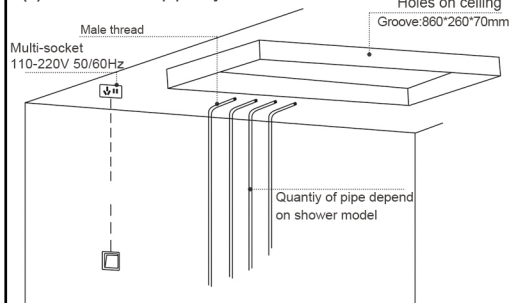


## Luxury LED Shower spara parts

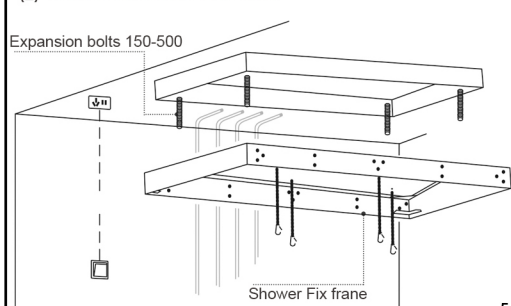


## Luxury LED Shower spara parts method

### (1) Power / water pipe-layout

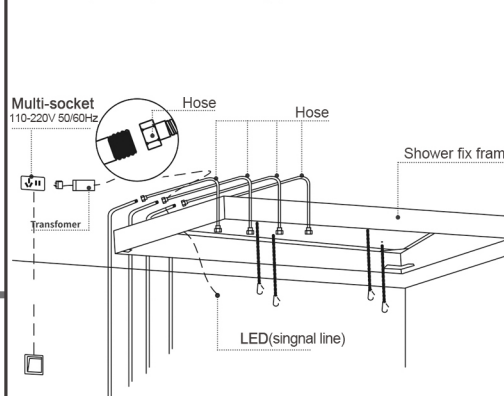


### (2) Shower installation fixed frame



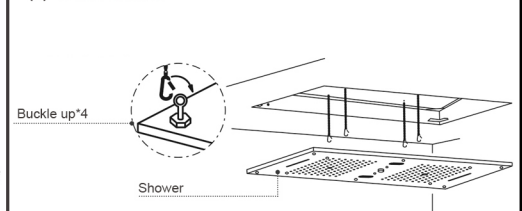
## Luxury LED Shower spara parts method

### (3) layout for powder / water pipe

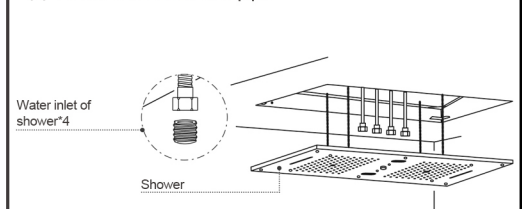


## Luxury LED Shower spara parts method

### (4) Install Shower



### (5) Connect the water inlet pipe



1

2

3

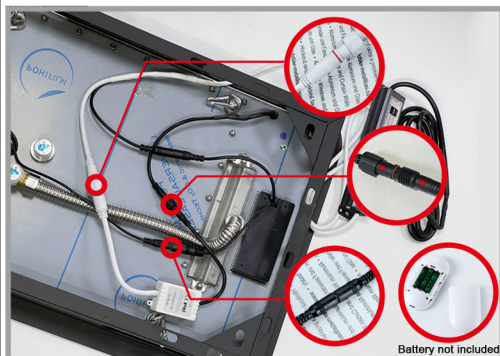
4

6

7

### ▶ Luxury LED Shower spara parts method

#### (6) Connect LED(singal line)

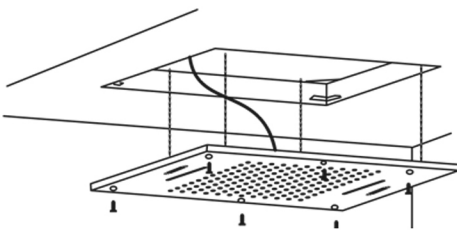


Battery not included

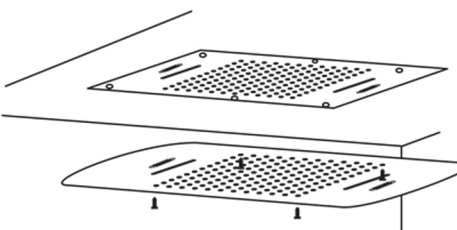
8

### ▶ Luxury LED Shower spara parts method

#### (7) Shower installation



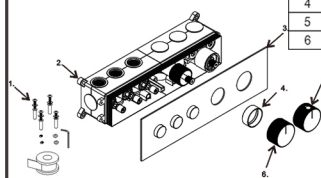
#### (8) Fix the decorative panel of shower



### ▶ Installation method

#### (9) 5 Function thermostatic control shower valve

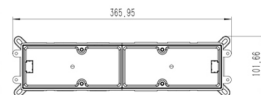
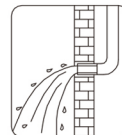
List		
No.	Name	Quantity
1	Screws bag	1
2	Shower valve body	1
3	Cover	1
4	Decorative ring	1
5	Thermostat handle	1
6	Flow-controlled handle	1



#### Installation steps.

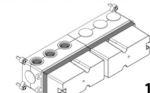
1. Please clean the water pipes before installation.

2. Make a groove in size 380\*110mm.



3. Embedded depth is 900mm (including the ceramic tile), about 70-75mm(not include the ceramic tile)

4. Put the shower body into the groove, using the Spirit level to adjust the level. Then mark the screws position. Drill and install the shower valve.



10

### ▶ Installation method

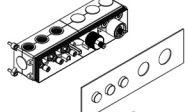
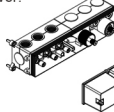
#### (10) 5 Function thermostatic control

##### 5. Water and air testing

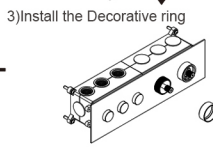
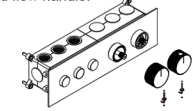
- 1) Check if hot water and color water in are correct.
- 2) Make sure the hot water inlet and cold water inlet is in the same level and wrapping raw material tape.
- 3) Connect the water pipes according to the mark, and then take off the ABS installation box cover.
- 4) Water and air testing (suggest under 2.5Mpa)
- 5) Open the diverter handle one by one to check if there is any leaking.
- 6) Install the ABS installation box cover.

##### 6. Installation steps

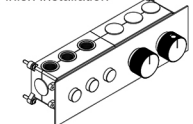
- 1) Take off the ABS installation box cover.
- 2) Install the shower valve cover cover.



- 4) Install the thermostatic handle and flow handle.



- 5) Finish installation



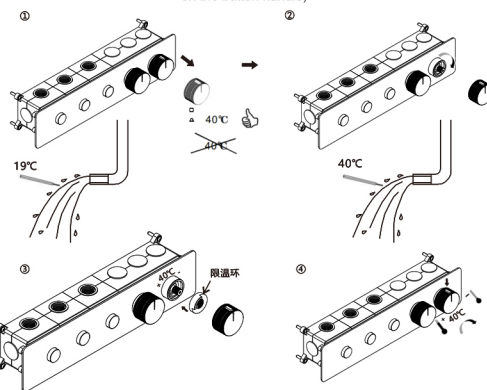
11

### ▶ Installation method

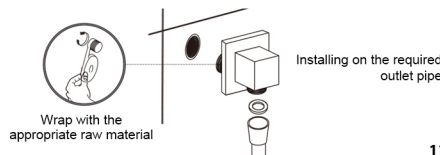
#### (11) 5 Function thermostatic control shower valve

##### 7. Thermostat handle instruction

Setting temperature is 40 degree, if not, then follow the bellow steps (Remark: When turn the thermostat handle to the left side, need to turn on the button handle)

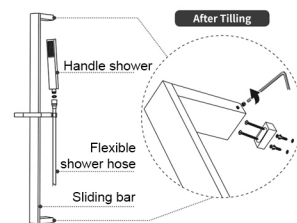


#### (12) Water outlet connector



### ▶ Installation method

#### (13) Sliding Bar



### ▶ USER MANUAL

Main parameter:  
Panel controller:  
Wording Temp.: -20~60  
Supply Voltage: DC12-24V  
Size: 150\*W35\*H23mm  
Output: 3Channel  
Output Current: <math>2A</math>(each channel)  
Connection mode: common anode

Touch Remote:  
Wording voltage: 1.5V\*3V  
Emission current: 10mA  
Working Current: 300uA  
Standby Current: 3uA  
Standby time: 6 months  
Control distance: <math>L20M</math>  
Color pulley point: 60



#### Touch remote use instruction:

1. Touch remote have 64 touch key, each keys function below:  
Pause: on the dynamic mode, you can make the controller to stop the current state now.
2. Power supply management:  
Stop to use the remote more than 20s, the remote will enter the stand by state (untouchable state); slightly shake once, then the remote will come back to the normal wording state (touchable state)
3. Indicator light instruction:  
Slightly shake once, then the remote will come back to the normal working state (touchable state)  
1) the remote is idle or sent signal when the PWR bright, PWR is off, then means the remote is in standby state;  
2) RF is bright, that means remote is sending signal, off means there is no signal sending.

1. Turn ON/OFF
5. Mode Switch
2. Color Touch Ring
- 3/6. Color Temperature adjusting
- 4/8. Dynamic Speed adjusting
- 7/9. Dynamic Brightness adjusting

13

### Mode:

NO.	FUNCTION	REMOTE
1	Static red	Brightness is adjustable Speed is unadjustable
2	Static green	
3	Static blue	
4	Static purple	
5	Static blue-green	
6	Static yellow	Brightness is adjustable Speed is adjustable
7	Static white	
8	R G B Jumping	
9	R G B Gradual	
10	7-Colors Jumping	
11	7-Colors Gradual	

#### Controller connections shown:

##### Touch remote use instruction:

##### Remarks:

1. This product should be commissioned and installed by qualified personnel.
2. This product can not be waterproof, need to avoid sun and rain, if installed outdoors, please use waterproof box.
3. Good heat dissipation conditions will extend the life of the LED controller, please install the product in a well-ventilated environment.
4. Please do not install or use such products in lightning, thunder, strong magnetic or high voltage applications.
5. Please check whether the output voltage of the LED power supply used meets the product voltage range requirements.
6. The diameter of the wire used must be sufficient to load the connected LED luminaire, and ensure that the wiring is firm to avoid the wire overheating or poor contact triggers the accident.
7. Before power-on debugging, ensure that all wiring is correct to avoid damage to the luminaire due to wiring errors.

14

### ▶ Safety warning notes:

Content for users as shown in the following major issues of, in order to prevent the occurrence of personal injury or property loss, be sure to respect. Please read the safety warnings and precautions, to be properly use of this product.



Warning

Be sure to respect the users, if ignoring the wrong side of this operation that may cause serious personal injury or significant property loss, resulting in the loss of no responsibility of the Company.

Failure of this product must be carried out by professionals to repair and protect, to the demolition of this product is strictly prohibited.



Warning

If you ignore this marker, the possibility of a minor personal injury or property loss.



Warning

Please do not permission to demolish, repair, alteration of the products, such as the replacement of the power cord

The absolute prohibition of touch the electrical outlet with wet hands. Use wet hands to touch the power seat, there might cause an electric shock hazard.



Prohibited

Please do not connect water pipes outside the home, such as industrial sources. It may lead insufficient water pressure or damage



Implementation

Demolition or repair of products, be sure to pull the plug to ensure security. It may get an electric shock.



Implementation

Please do not use defective power supply, plugs, sockets, please contact Service Center for timely replacement. It may lead to fire.



Implementation

Please take this as a specialized product in bathroom, not for other purposes. It may lead to fire, leakage, injury.



Implementation

No use this product for a long time, please unplug the power, let the water out completely to protect the motor. It may lead to fire, leakage. No implementation of water, it may lead to deterioration caused by skin disease.



15

16