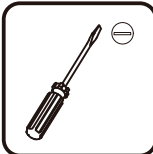
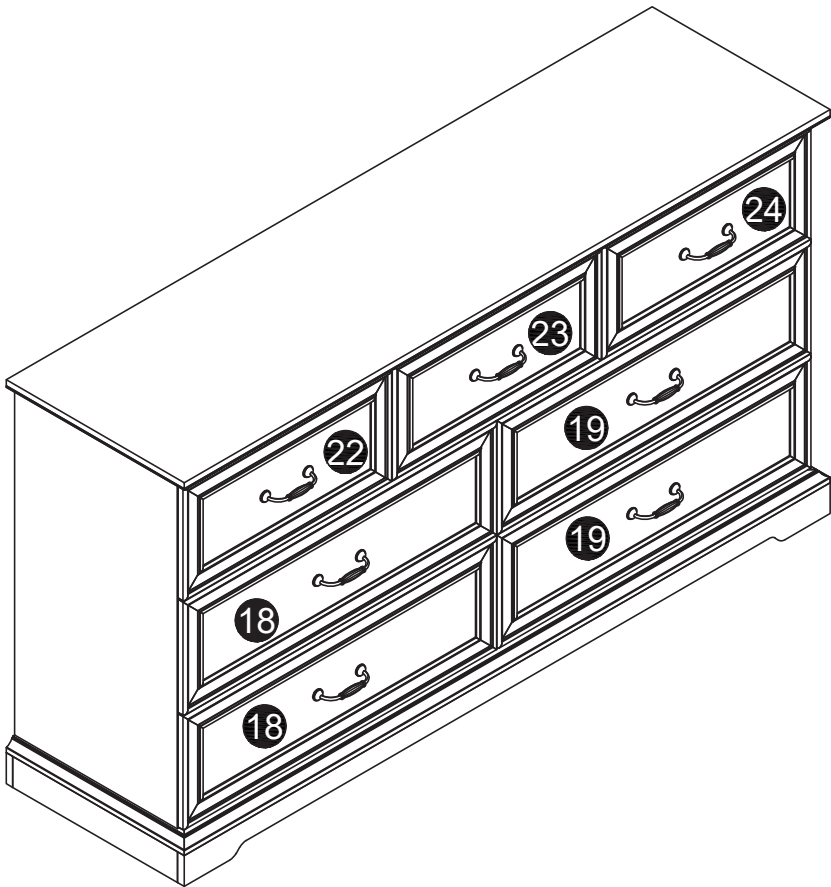
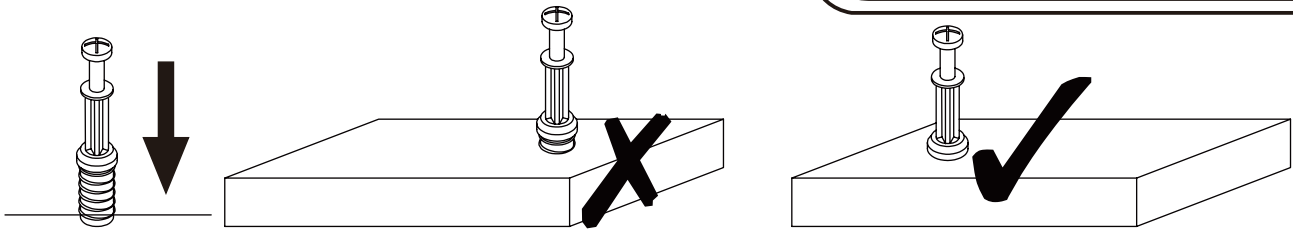


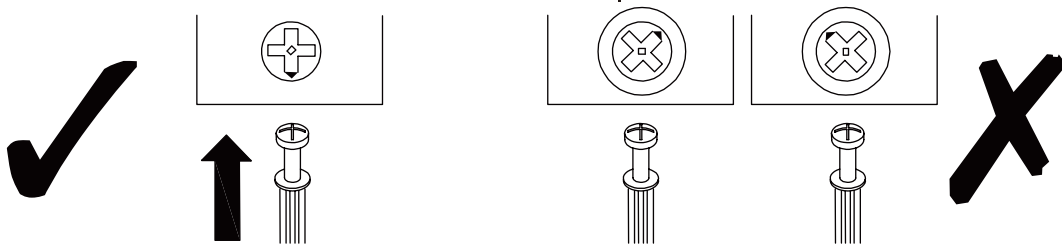
Installation & Assembly



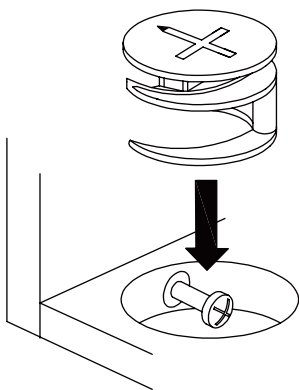
EN_IMPORTANT, RETAIN FOR FUTURE REFERENCE: READ CAREFULLY.



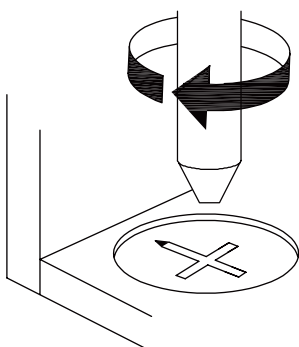
EN_QUICKFIT: Tighten quickfit until shoulder is flush with panel. Do not overtighten or undertighten.



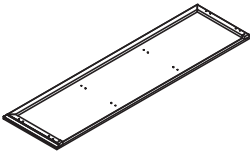
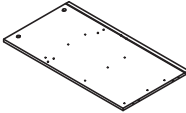
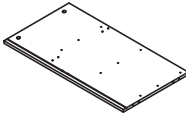
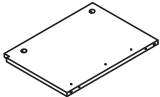
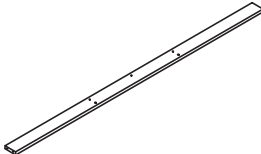
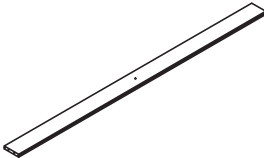
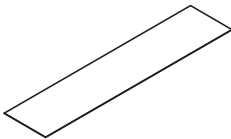
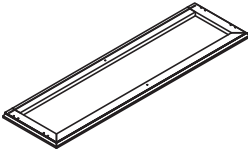
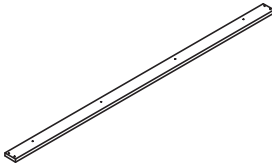
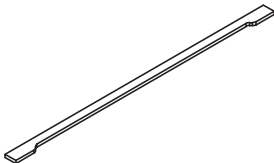
EN_CAM LOCK: When fitting cam lock, ensure starting position is correct before you insert connecting quickfit.

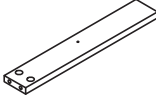
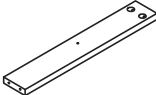
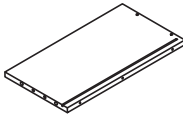
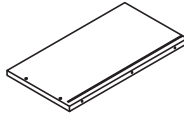
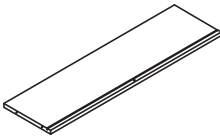

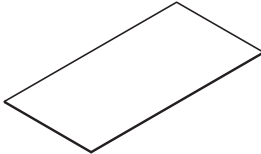
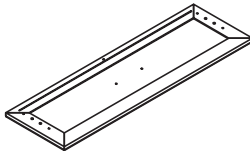
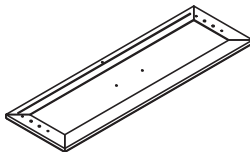
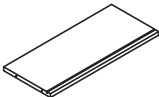


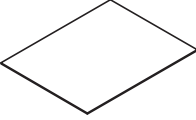
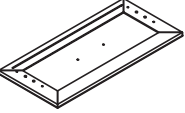
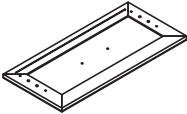
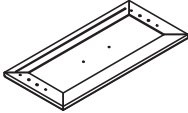
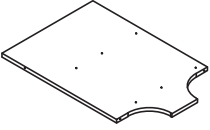

EN_Quickfit head should be in the centre of the cam lock when the two panels are joined.
Cam lock should be inserted before quickfit.

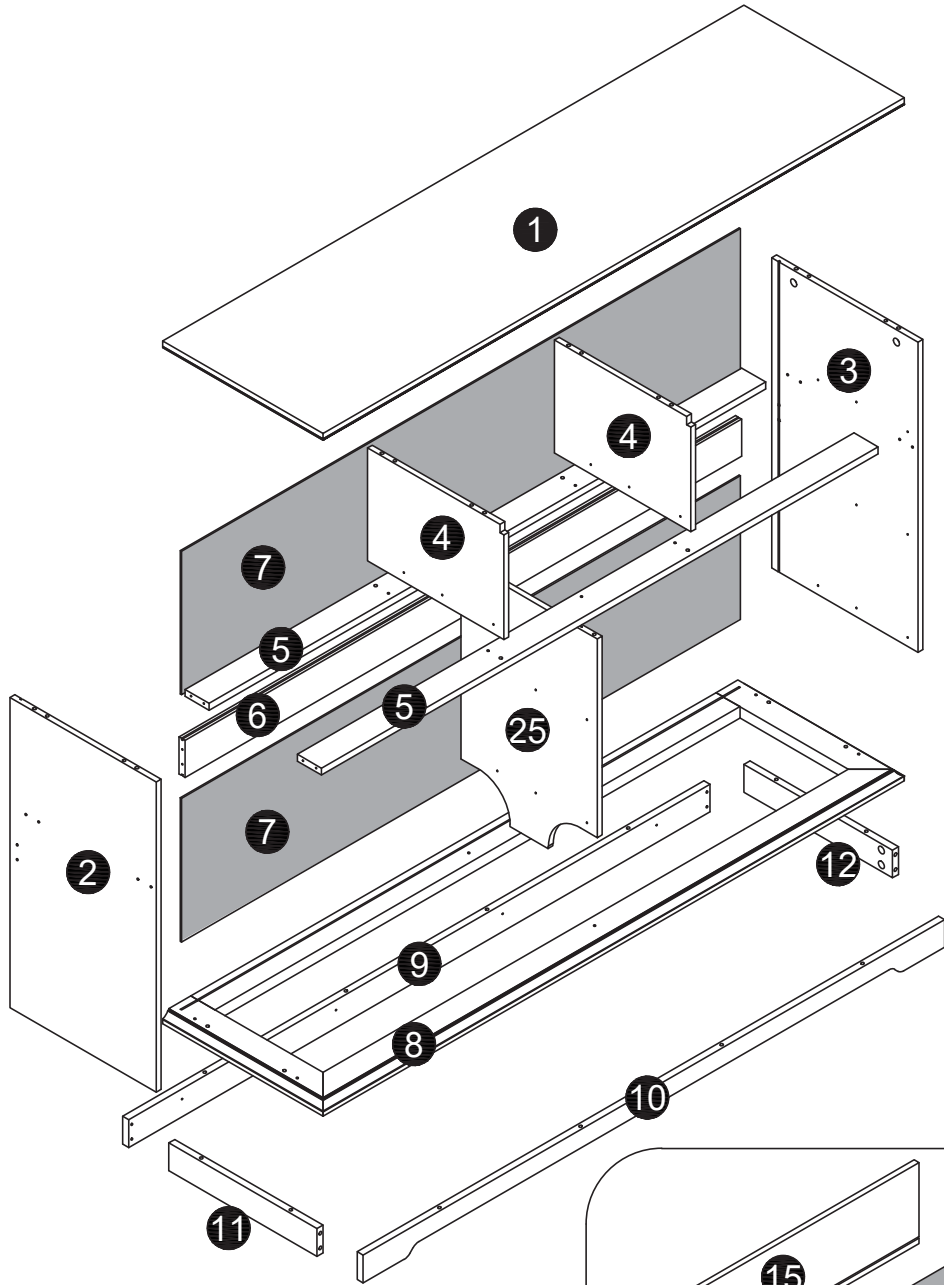


EN_Turn cam lock clockwise to tighten.

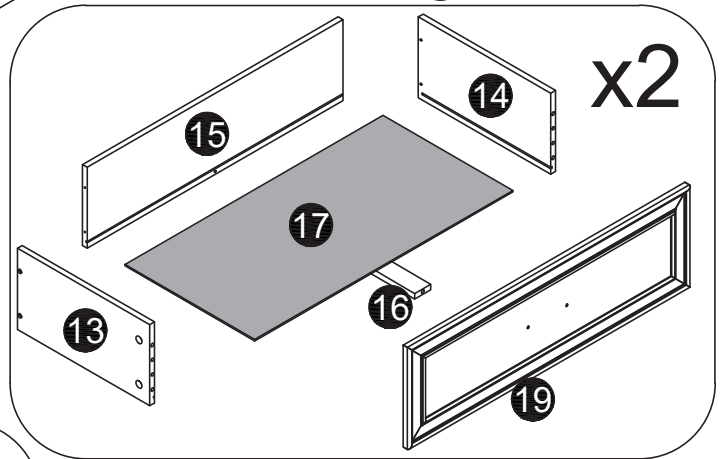
NO.	PARTS	QTY	SPARE
1		x1	
2		x1	
3		x1	
4		x2	
5		x1	
6		x1	
7		x2	
8		x1	
9		x1	
10		x1	

NO.	PARTS	QTY	SPARE
11		x1	
12		x1	
13		x7	
14		x7	
15		x4	
16		x4	
17		x4	
18		x2	
19		x2	
20		x3	

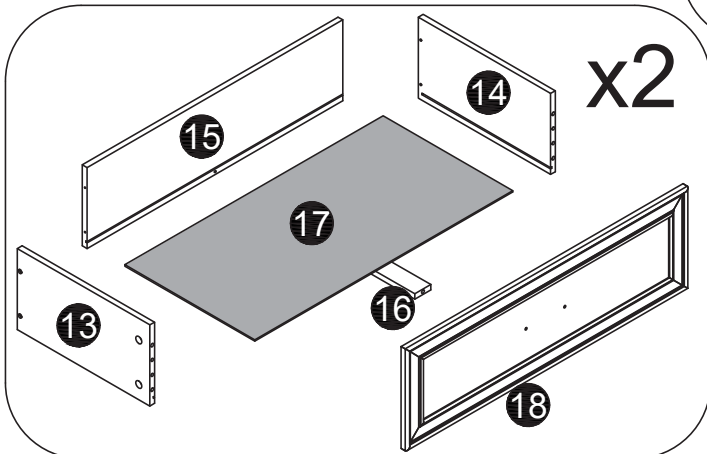
NO.	PARTS	QTY	SPARE
21		x3	
22		x1	
23		x1	
24		x1	
25		x1	
	 Hardware Kit	x1	

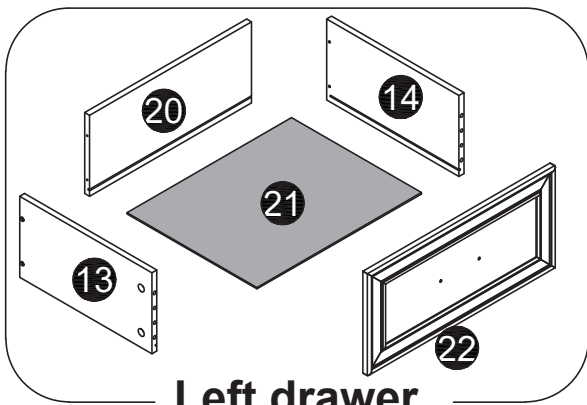


Right drawer

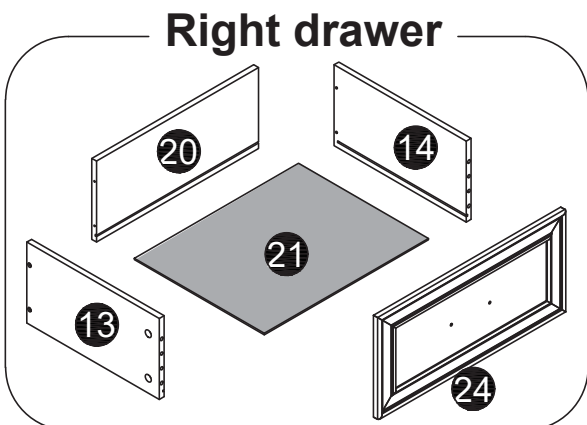


Left drawer

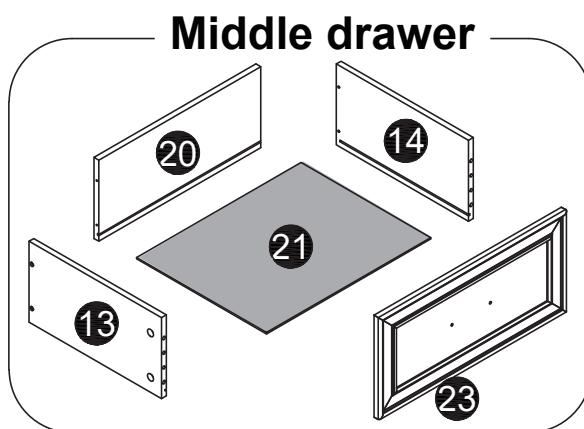




Left drawer



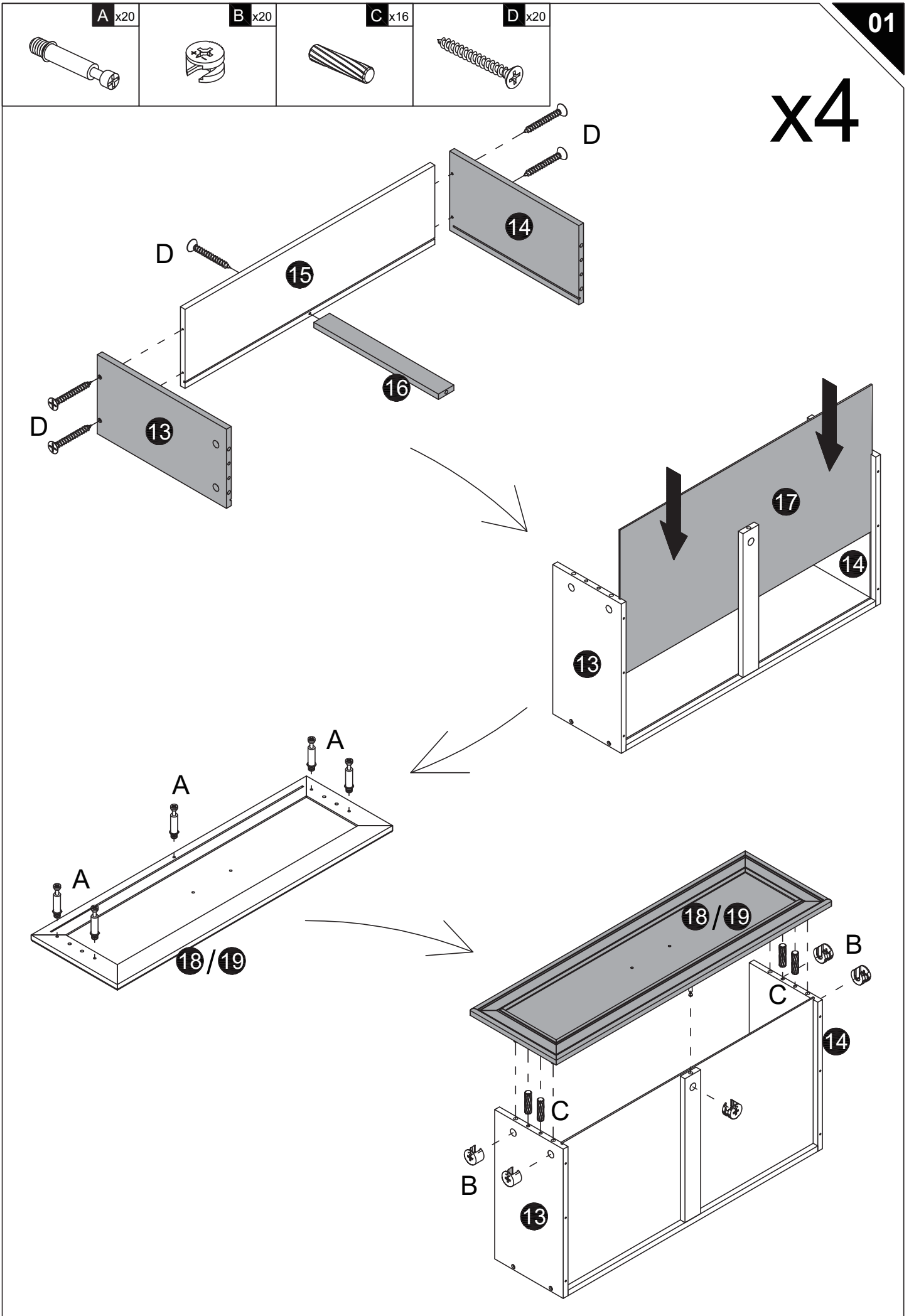
Right drawer



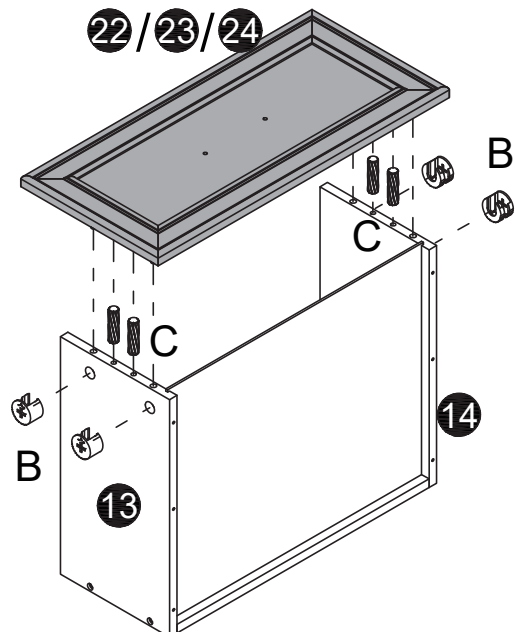
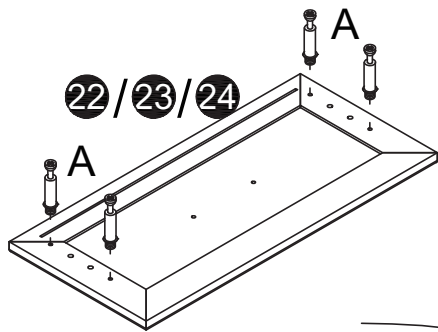
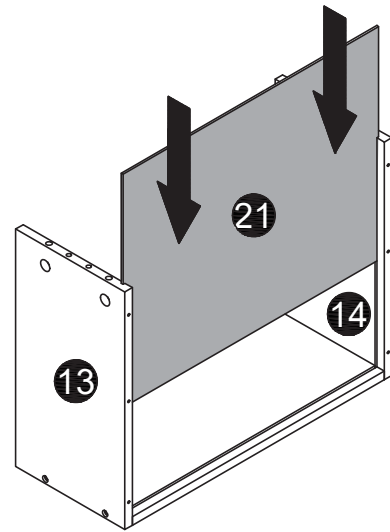
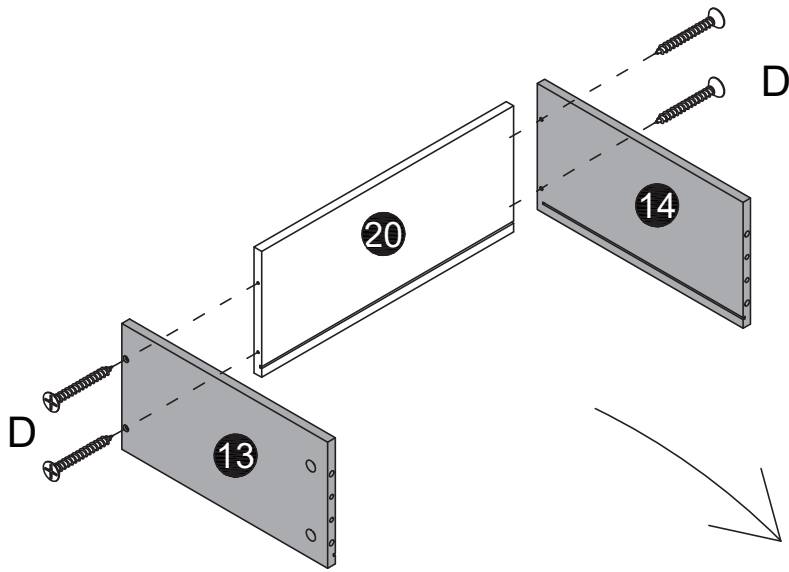
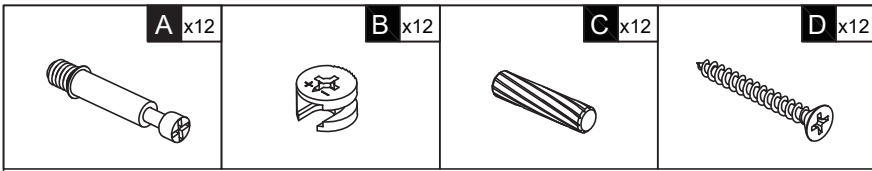
Middle drawer

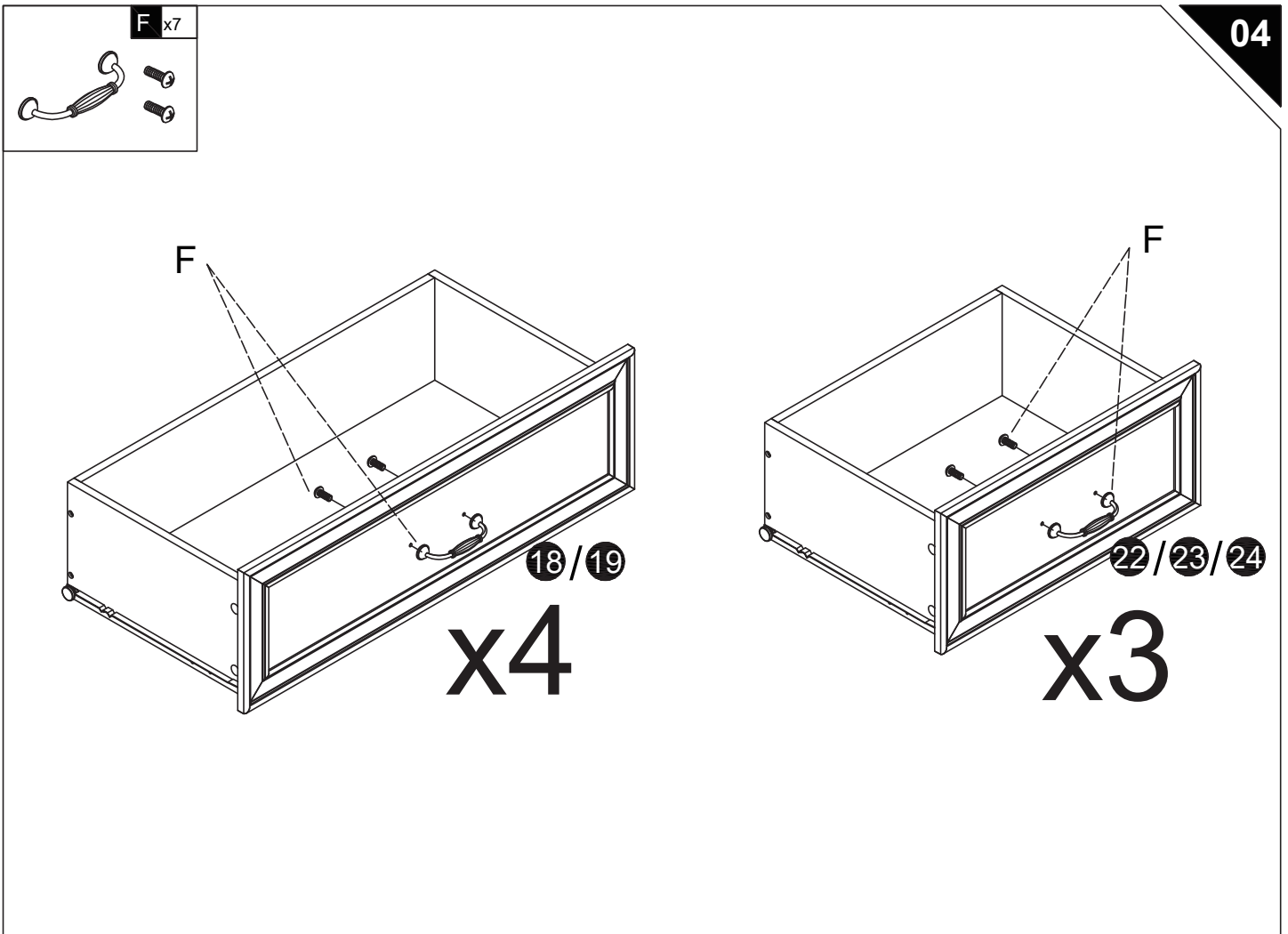
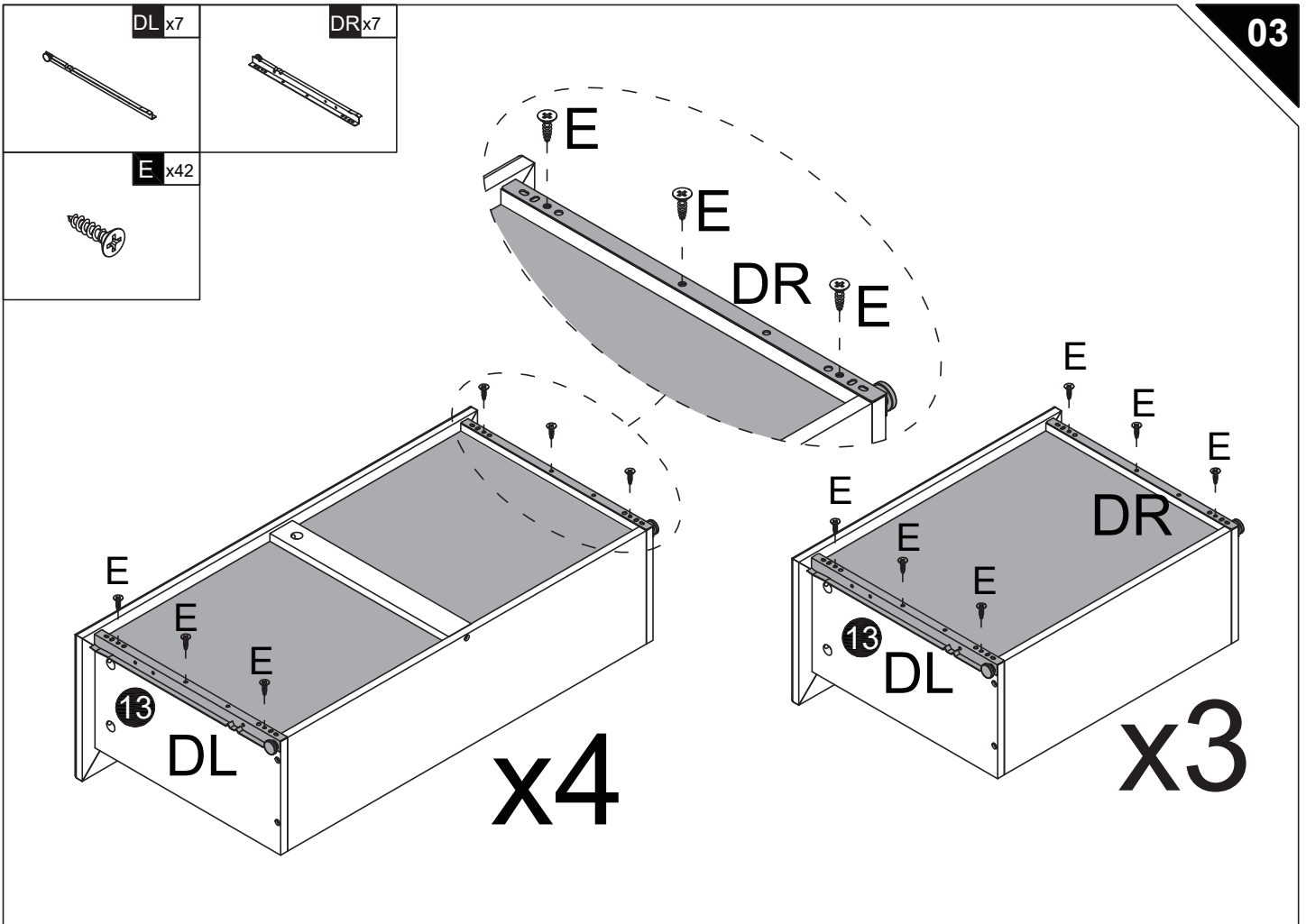
<p>A x44 Ø6x35mm +3(spare)</p>	<p>B x44 Ø15x10mm +3(spare)</p>	<p>C x58 Ø6x30mm +5(spare)</p>	<p>D x34 Ø4x35mm +3(spare)</p>	<p>E x104 Ø3.5x12mm +8(spare)</p>	<p>F x7</p>
<p>G-1</p> <p>G-2 Ø3x16mm +1(spare)</p>	<p>H x10</p>	<p>I x12 Ø15mm +3(spare)</p>	<p>J x2 Ø4x14mm</p>	<p>K x2</p>	<p>L x2 Ø6x30mm</p>
<p>M x29 Ø5x50mm +2(spare)</p>	<p>CL x7 L330mm</p>	<p>CR x7 L330mm</p>	<p>DL x7 L330mm</p>	<p>DR x7 L330mm</p>	

x4



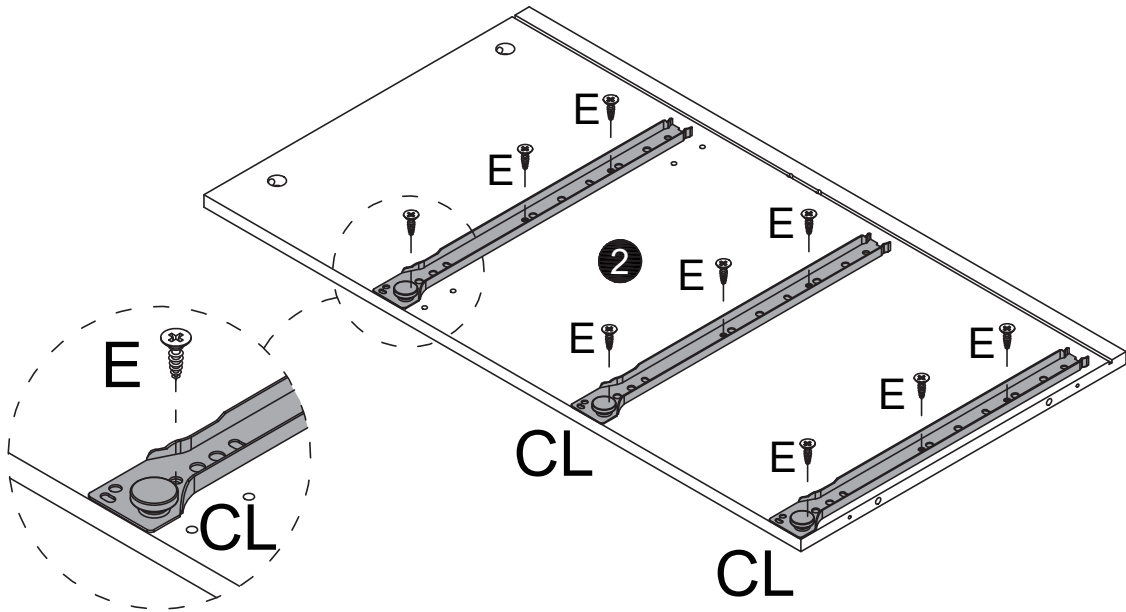
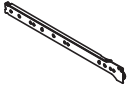
x3





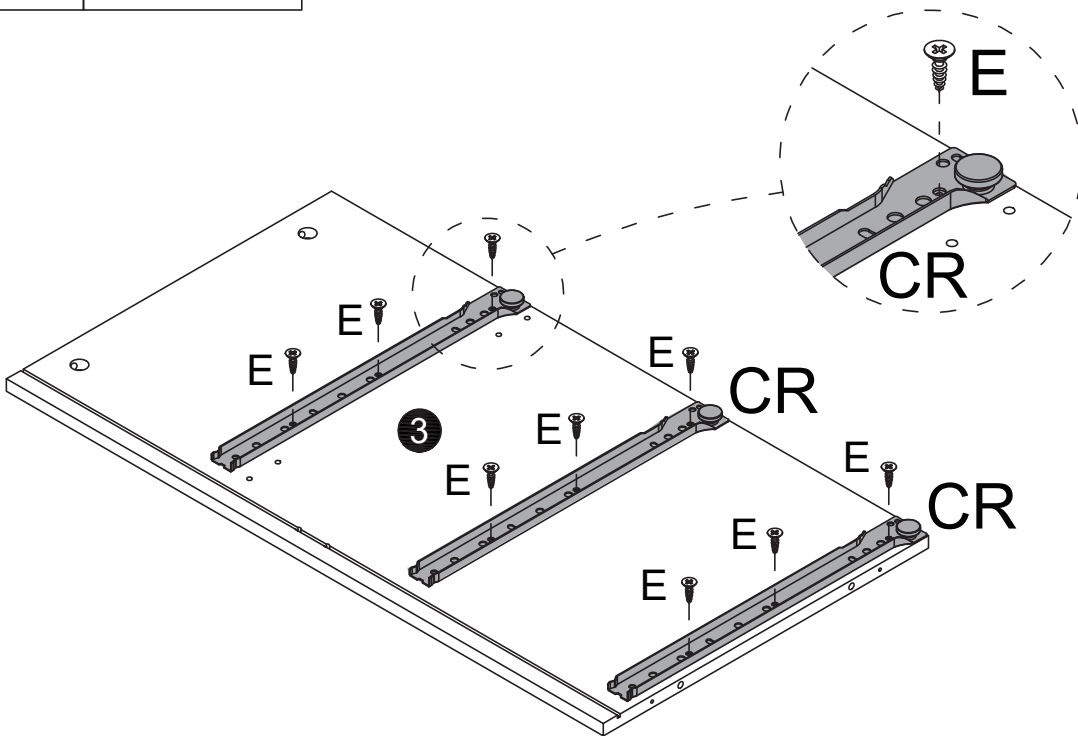
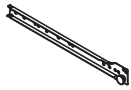
E x9

CL x3



E x9

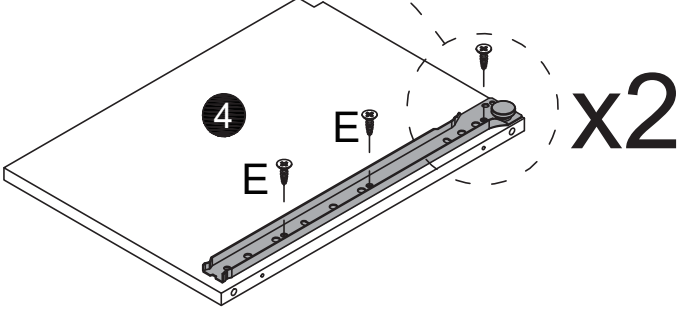
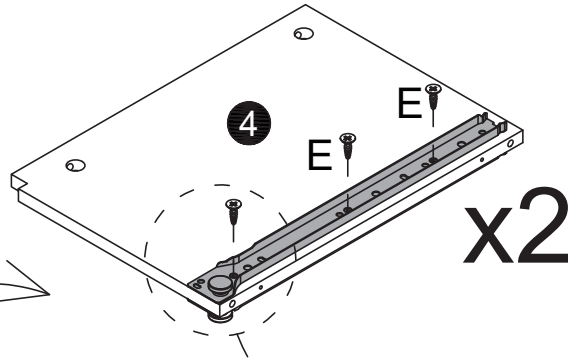
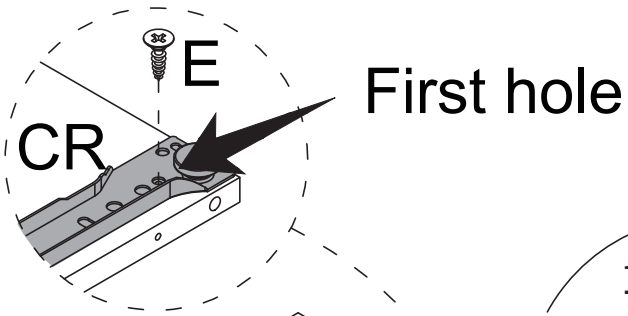
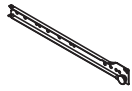
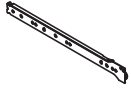
CR x3



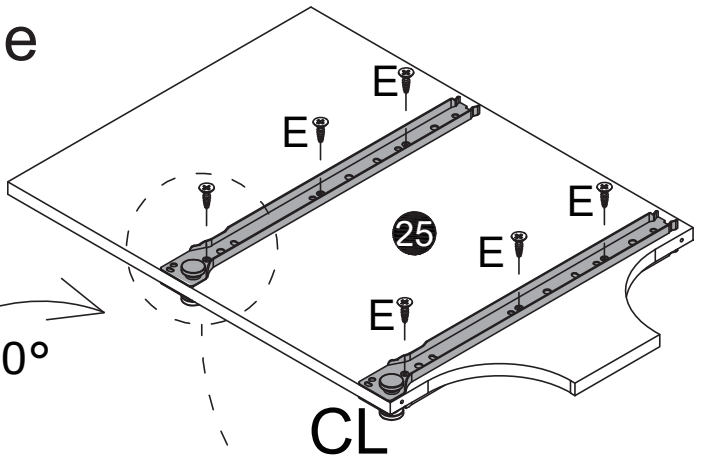
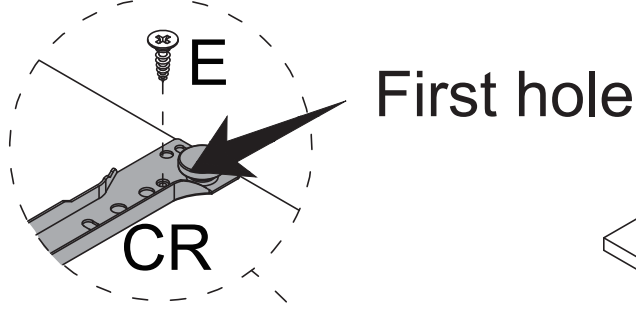
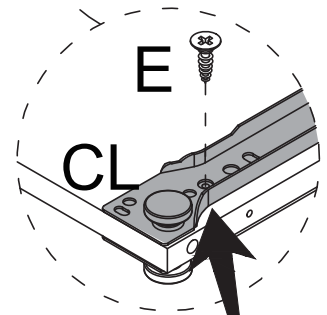
E x24

CL x4

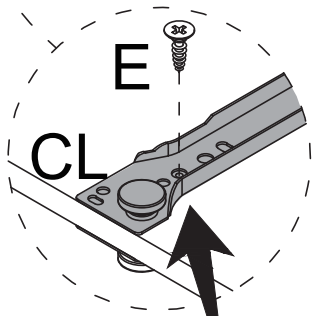
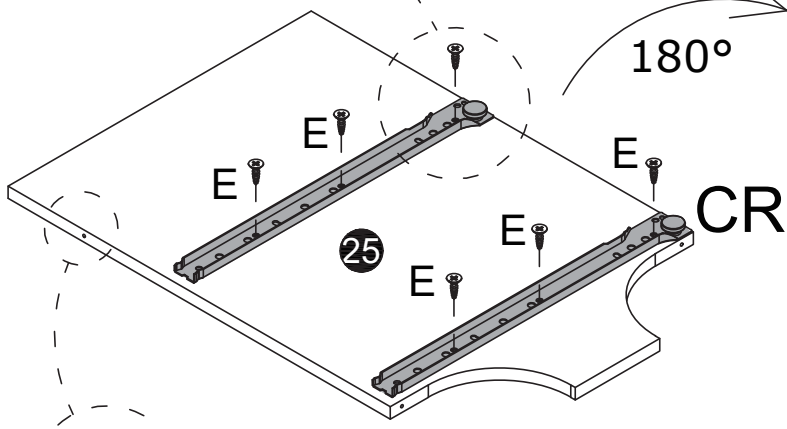
CR x4



180°

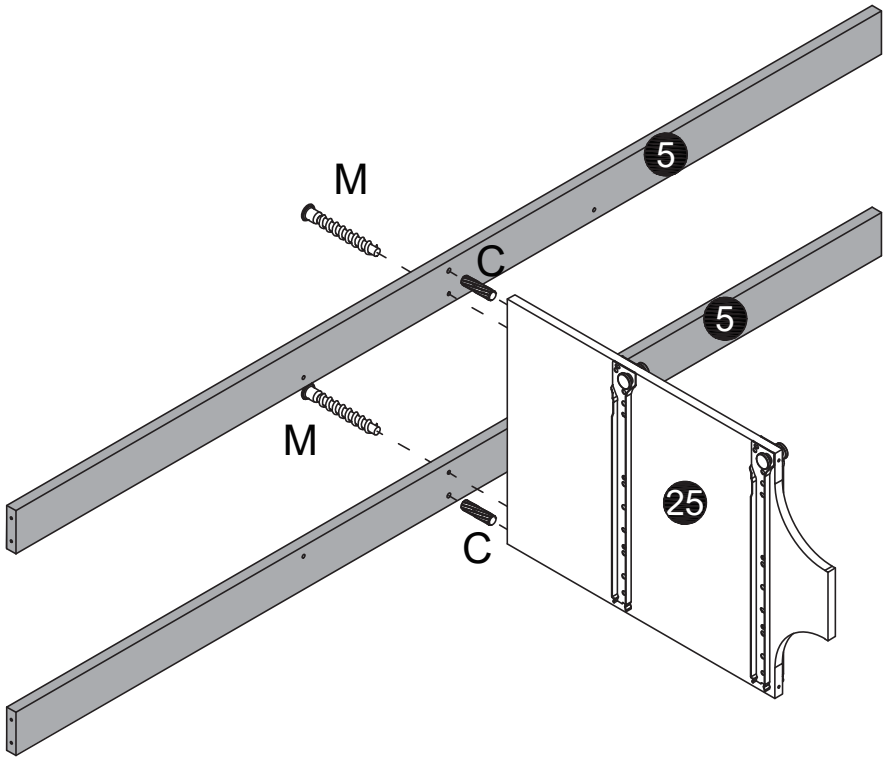
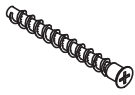


180°

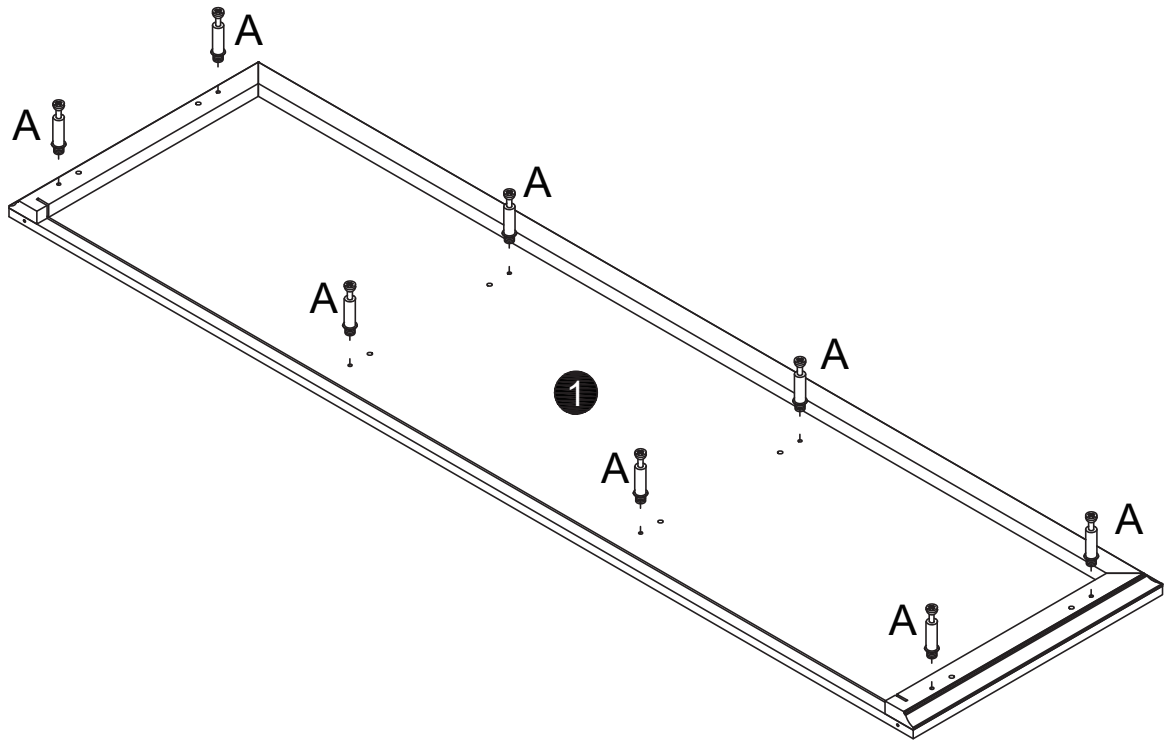
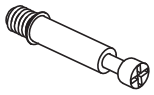


C x2

M x2

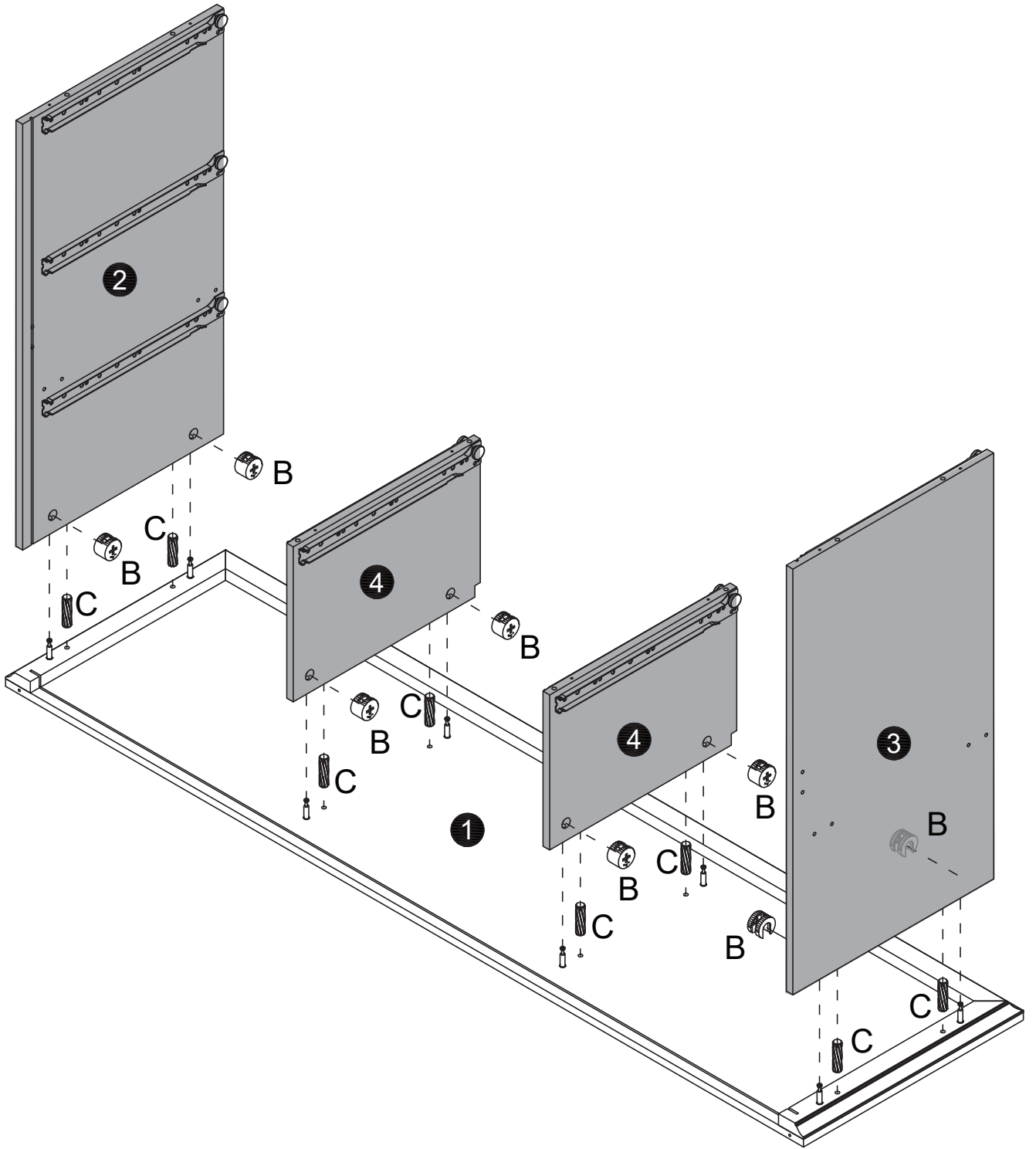


A x8



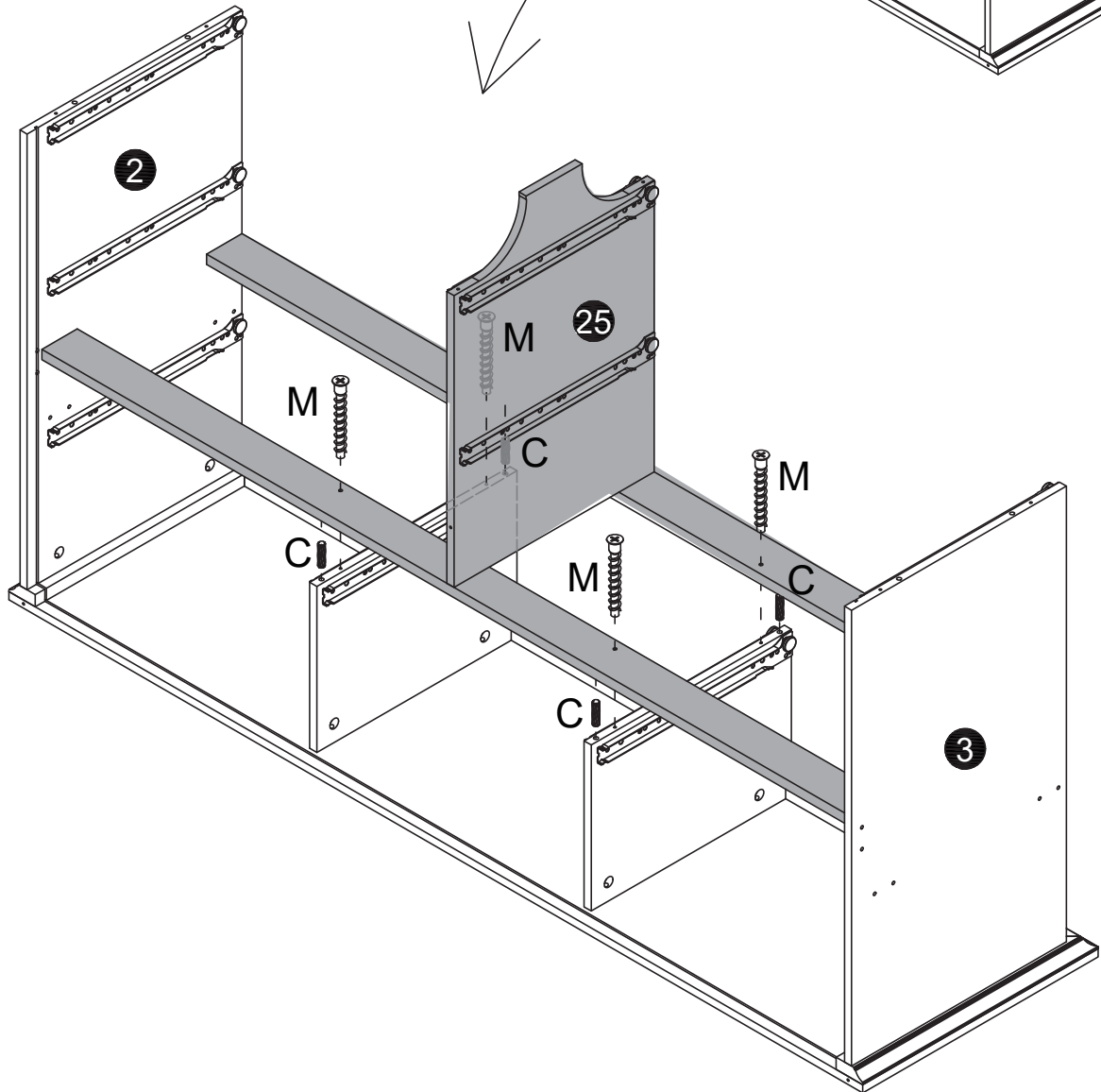
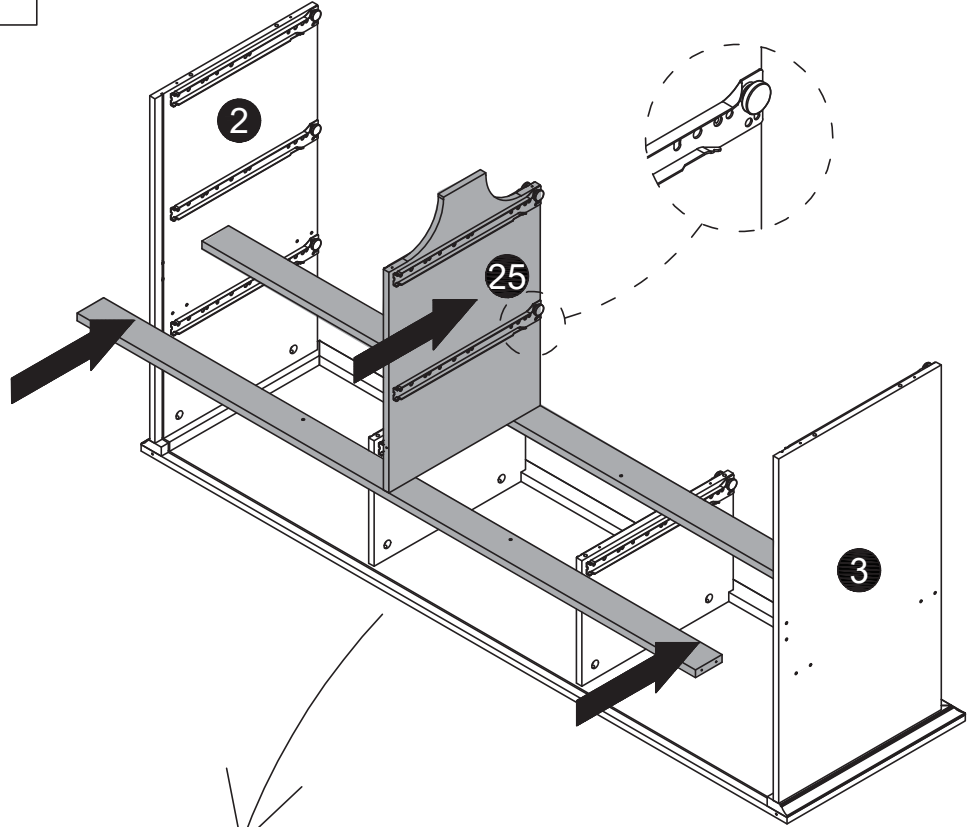
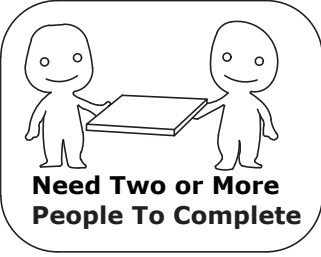
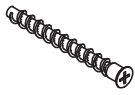
B x8

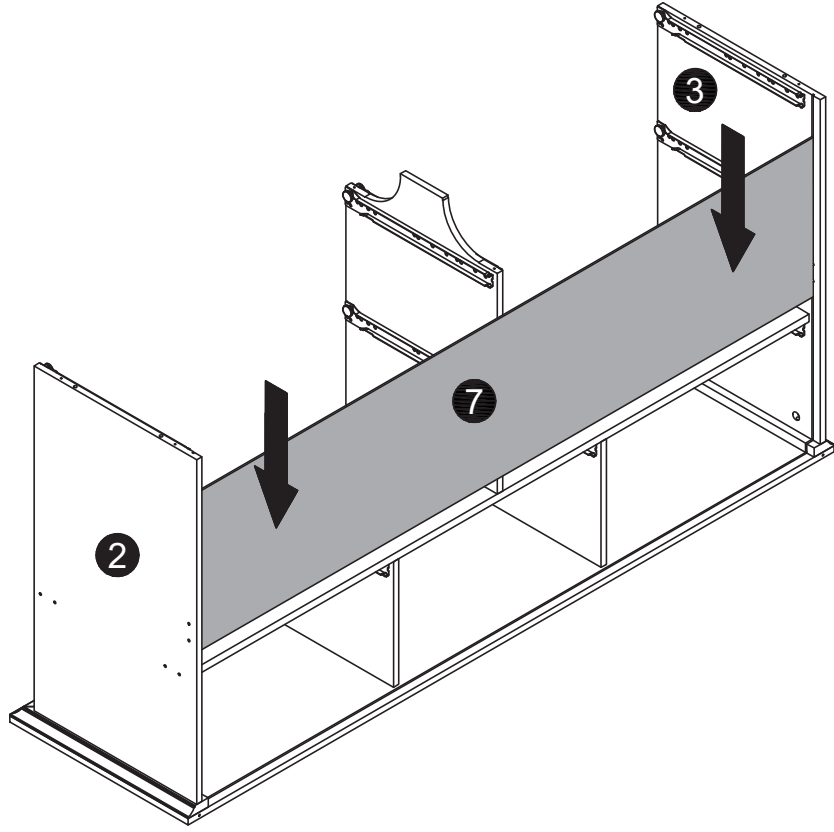
C x8



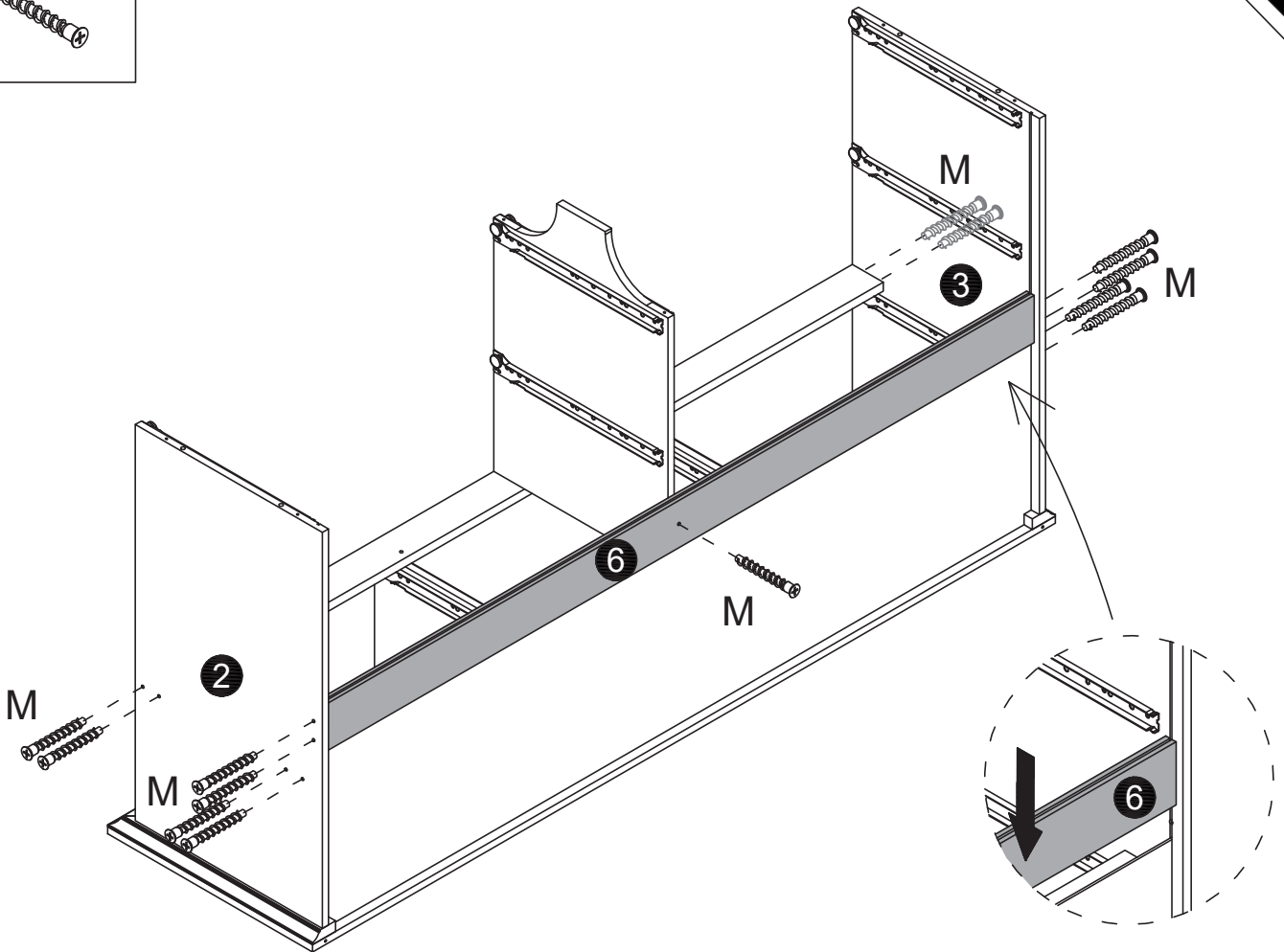
C x4

M x4





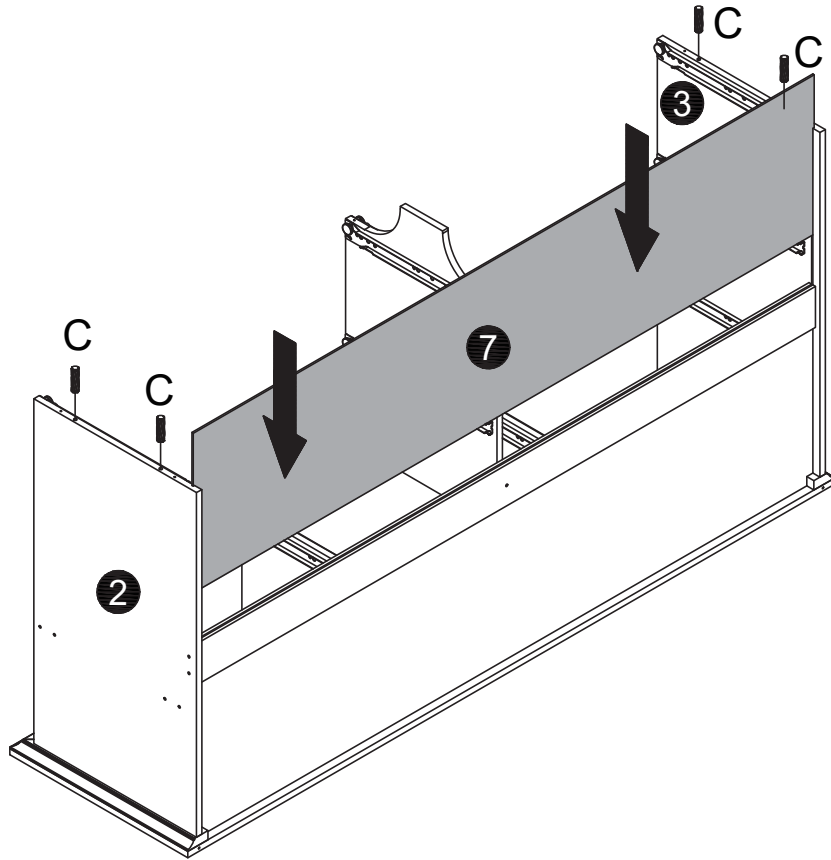
M x13



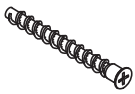
C x4



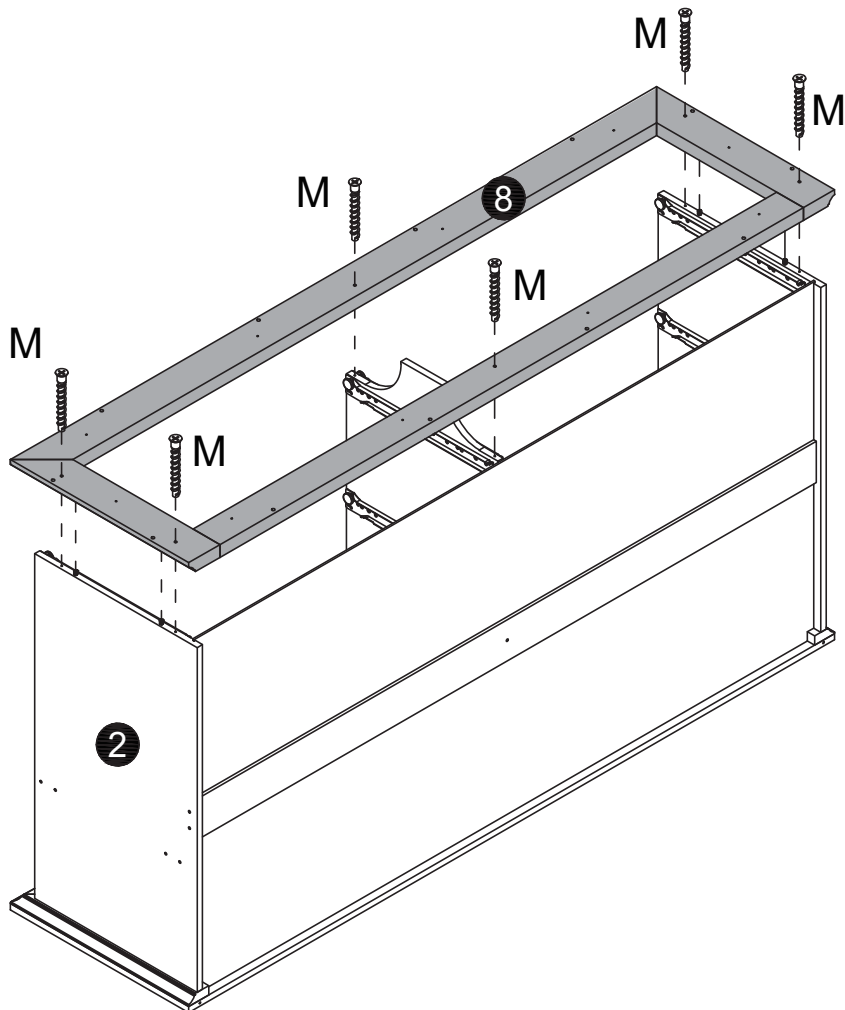
14

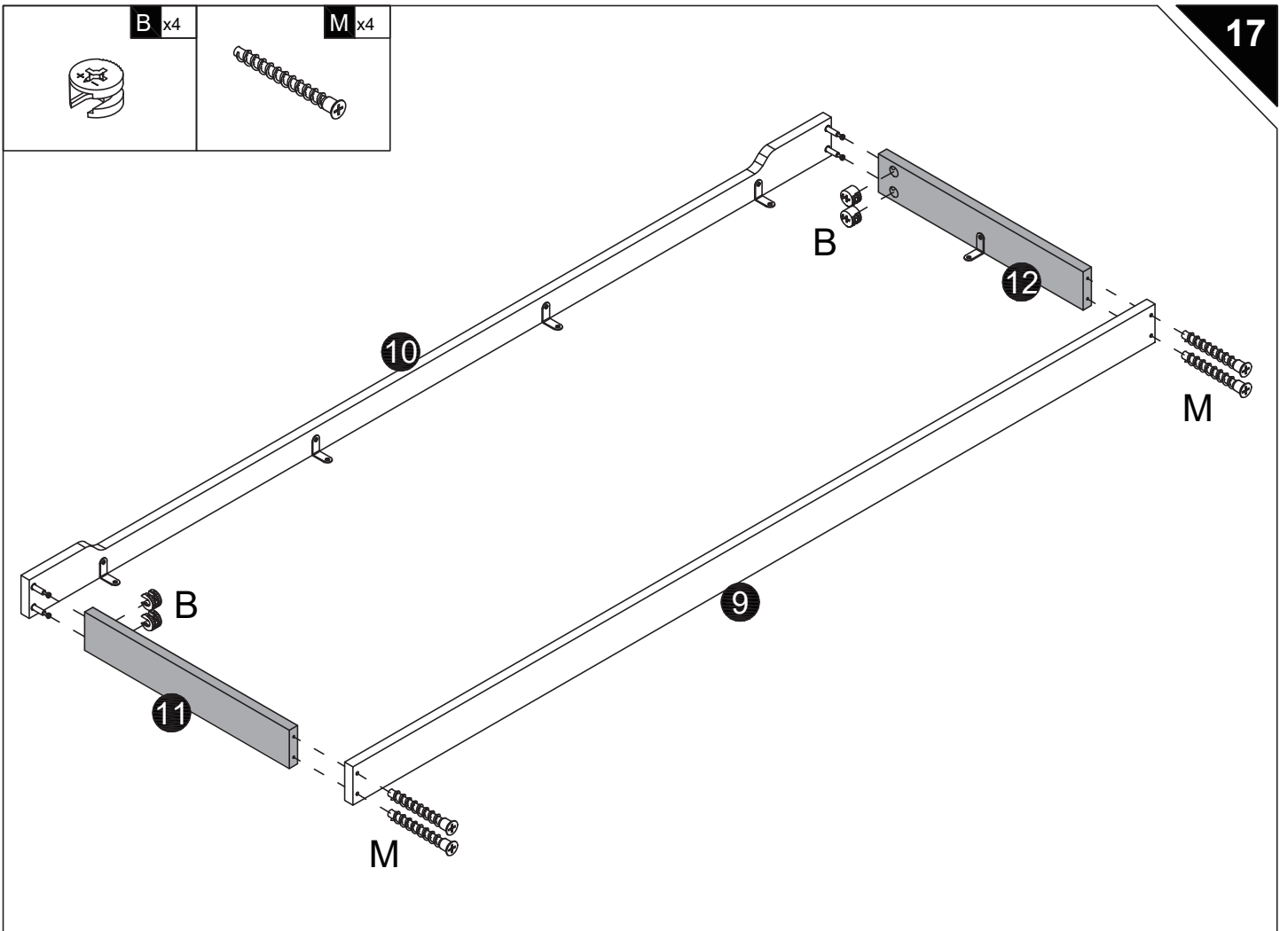
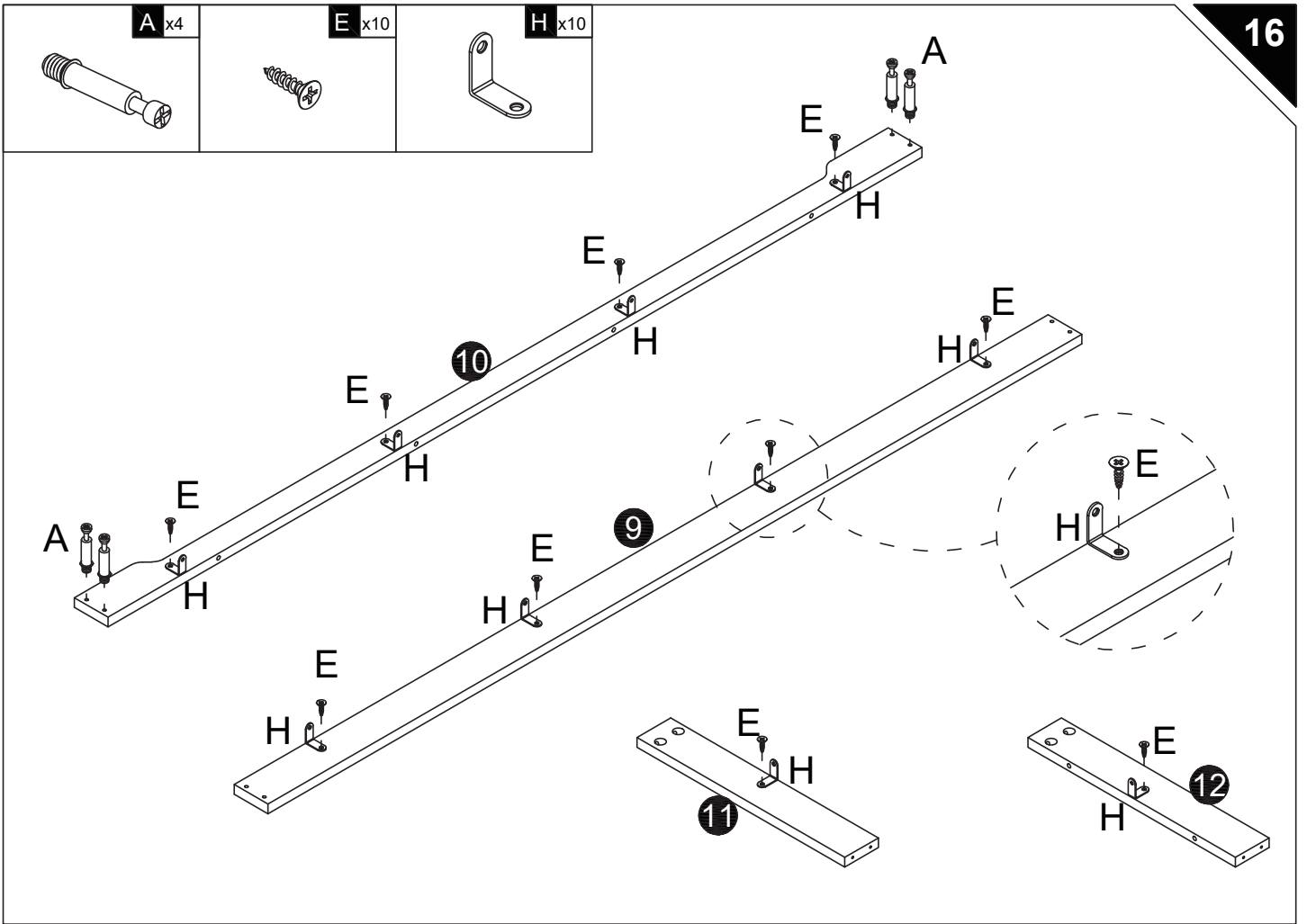


M x6



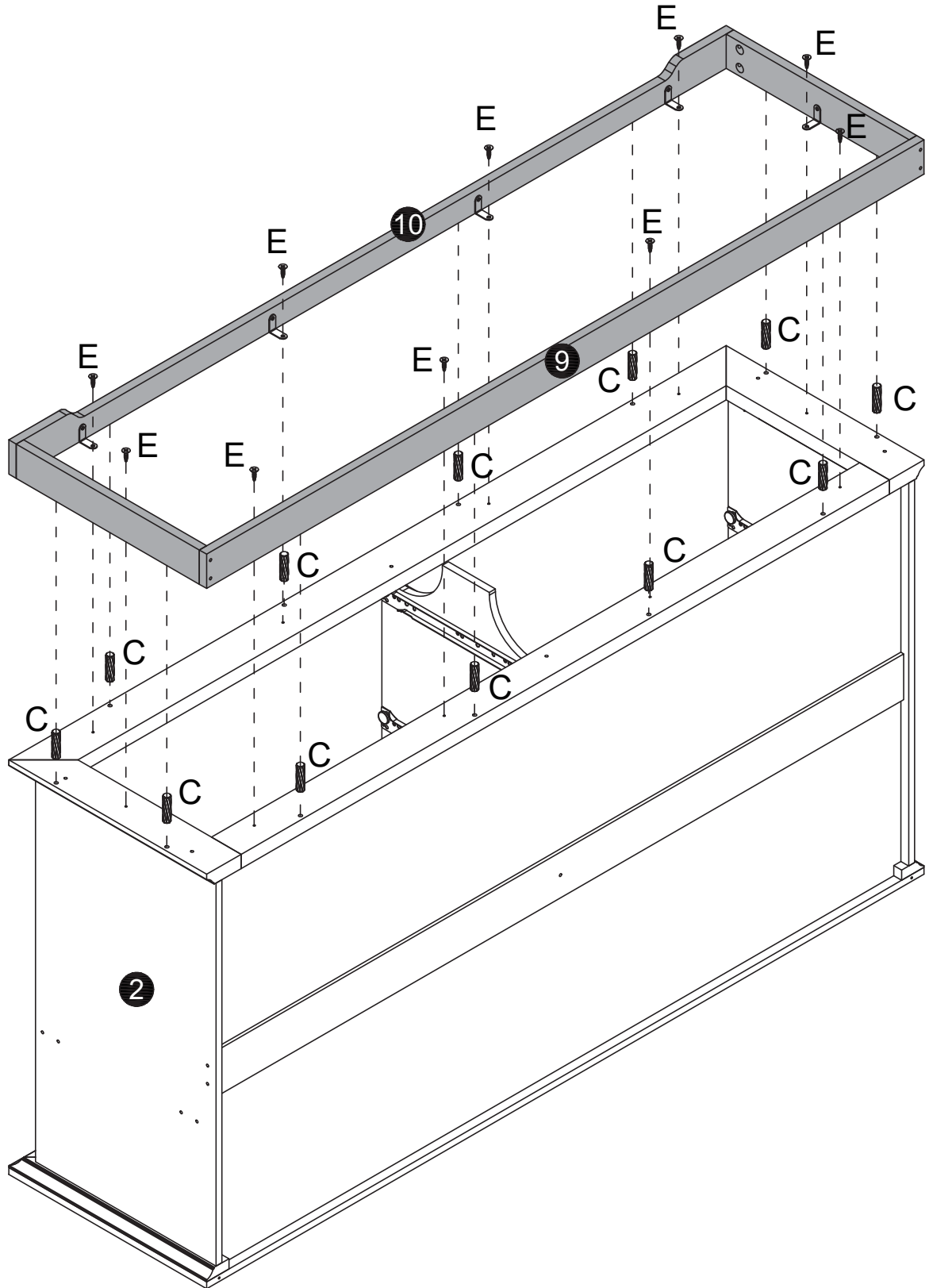
15





C x12

E x10



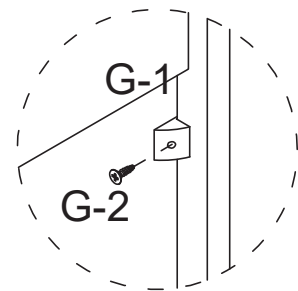
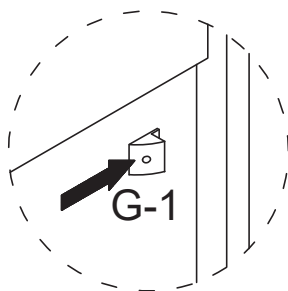
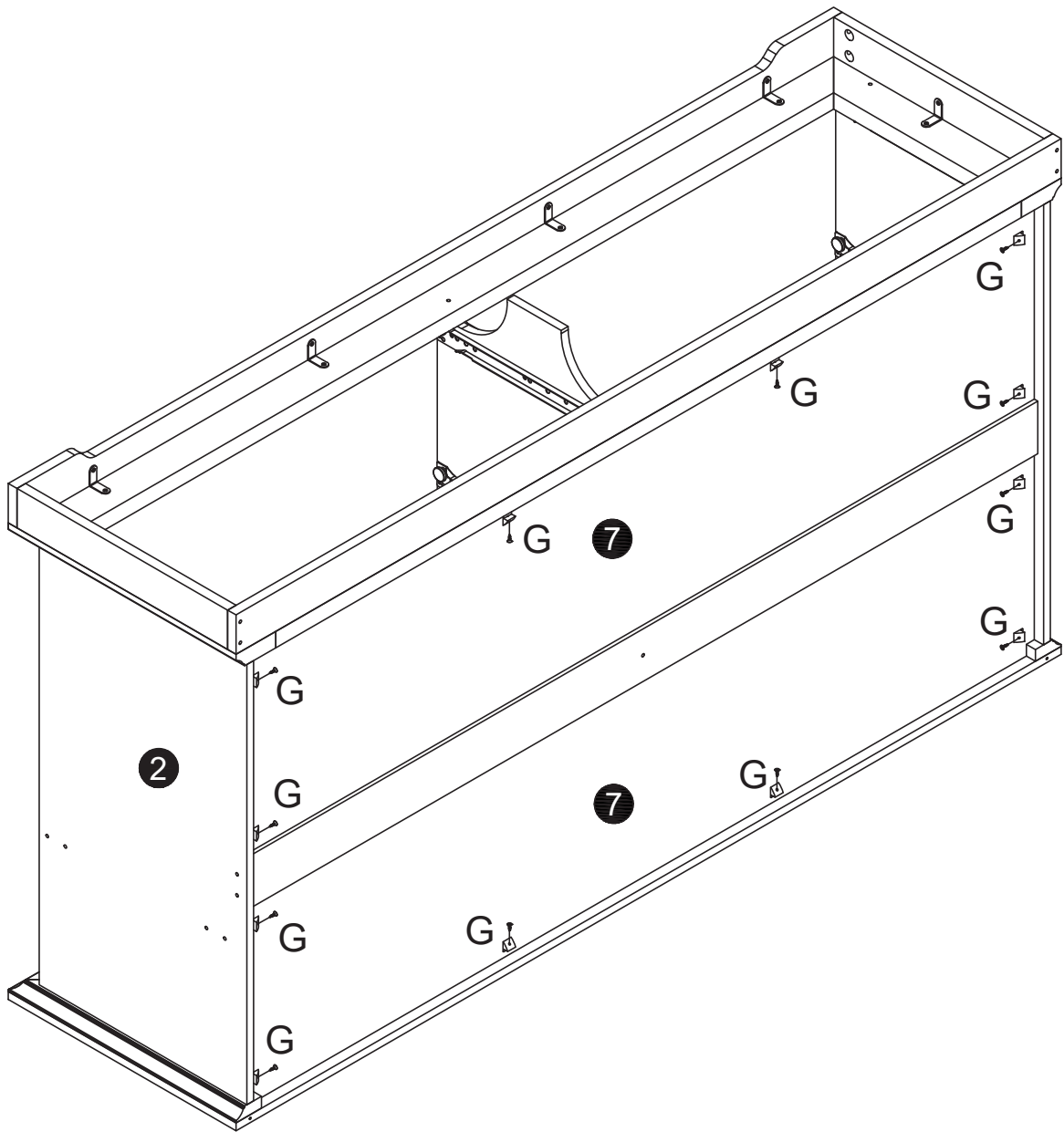
G x12



G-1

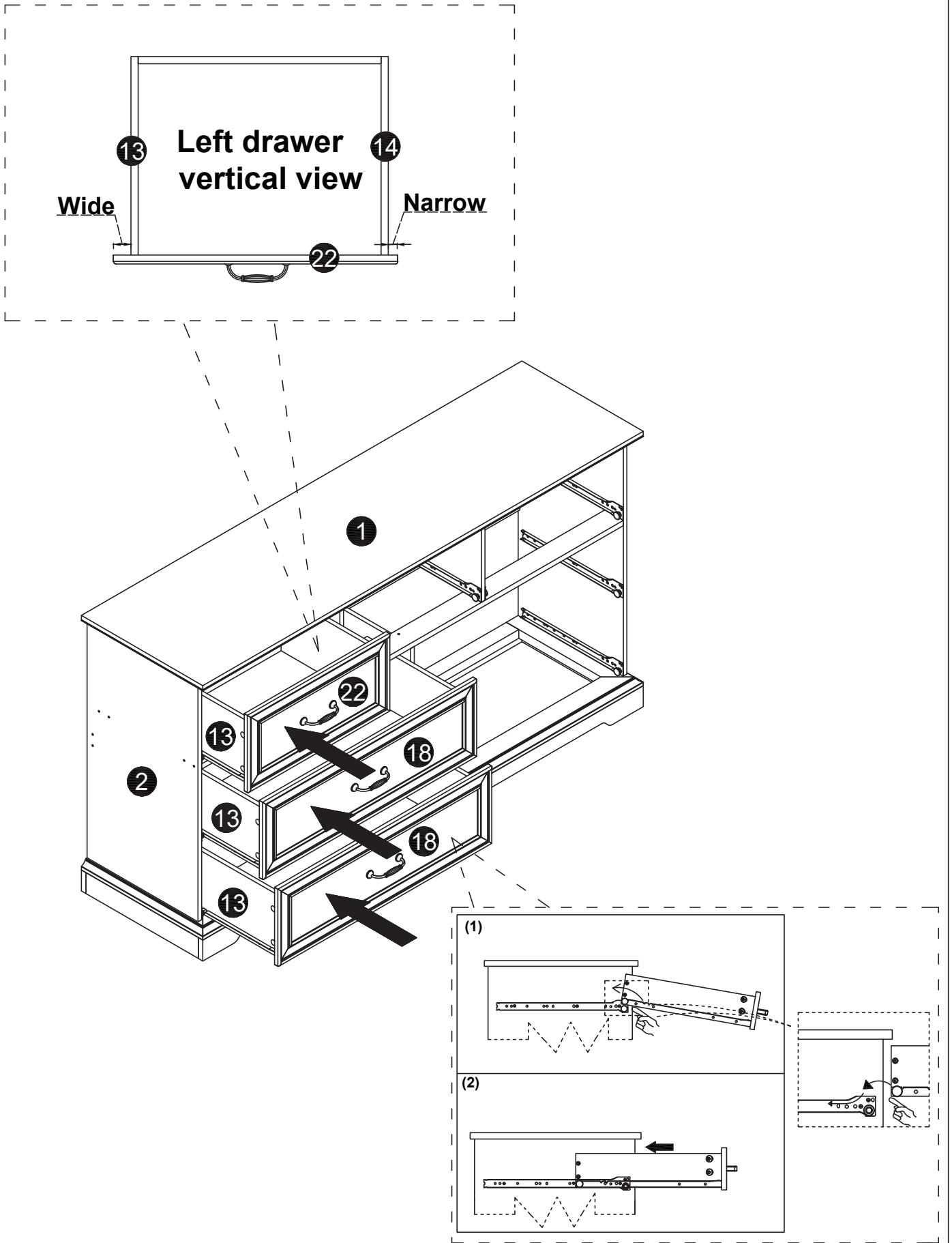


G-2



Attention:

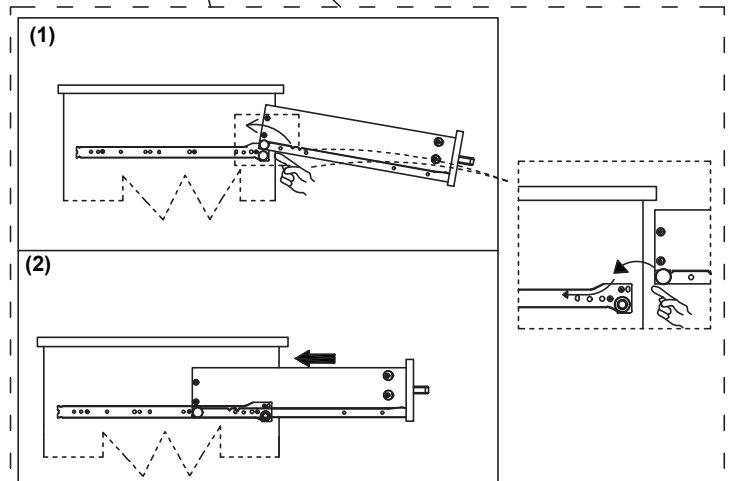
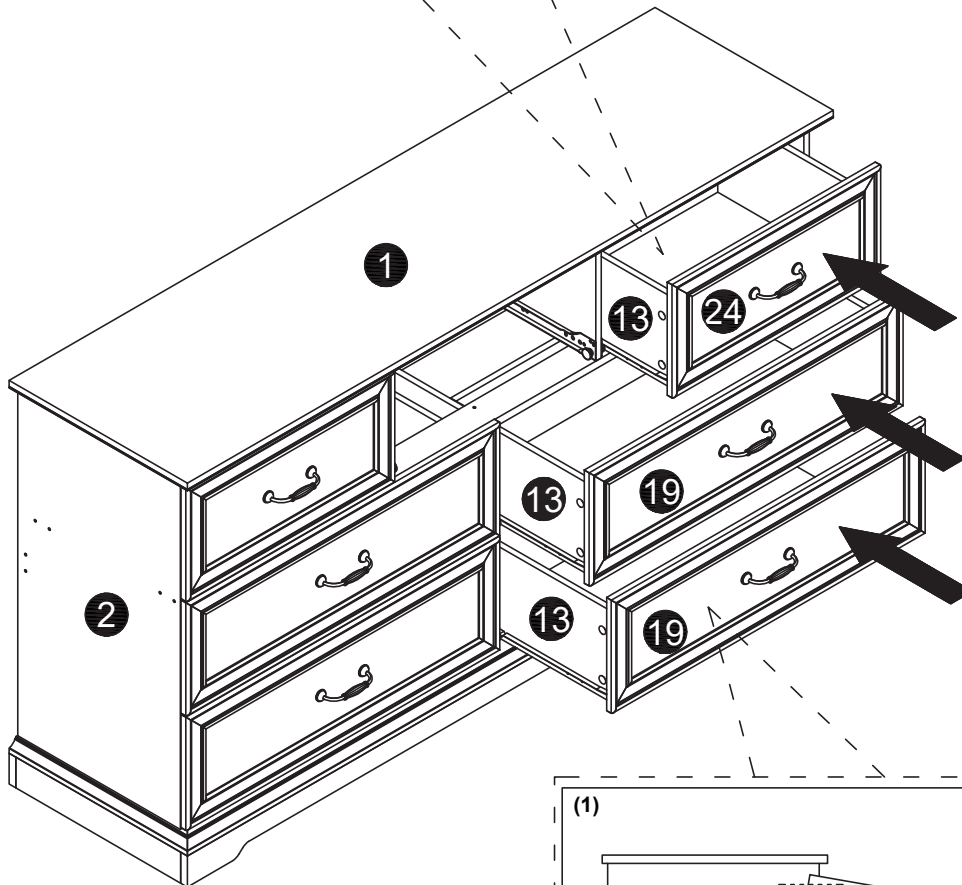
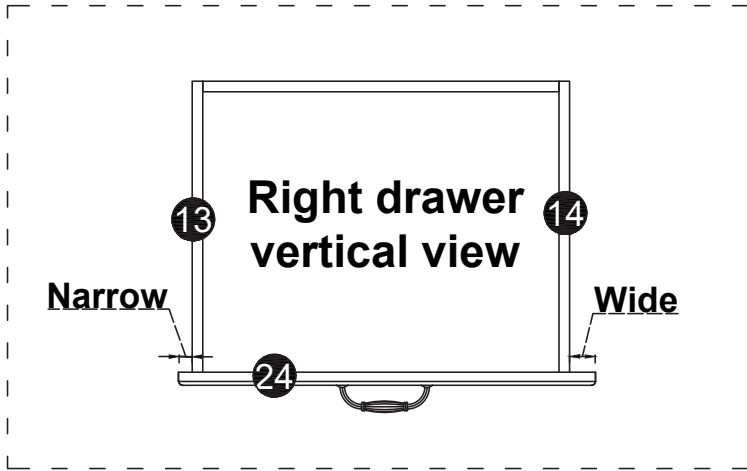
There are three types of drawers, namely drawer 22 , 18 on the left, drawer 24 , 19 on the right and drawer 23 in the middle. The following illustration shows Drawer 22 , 18 on the left .

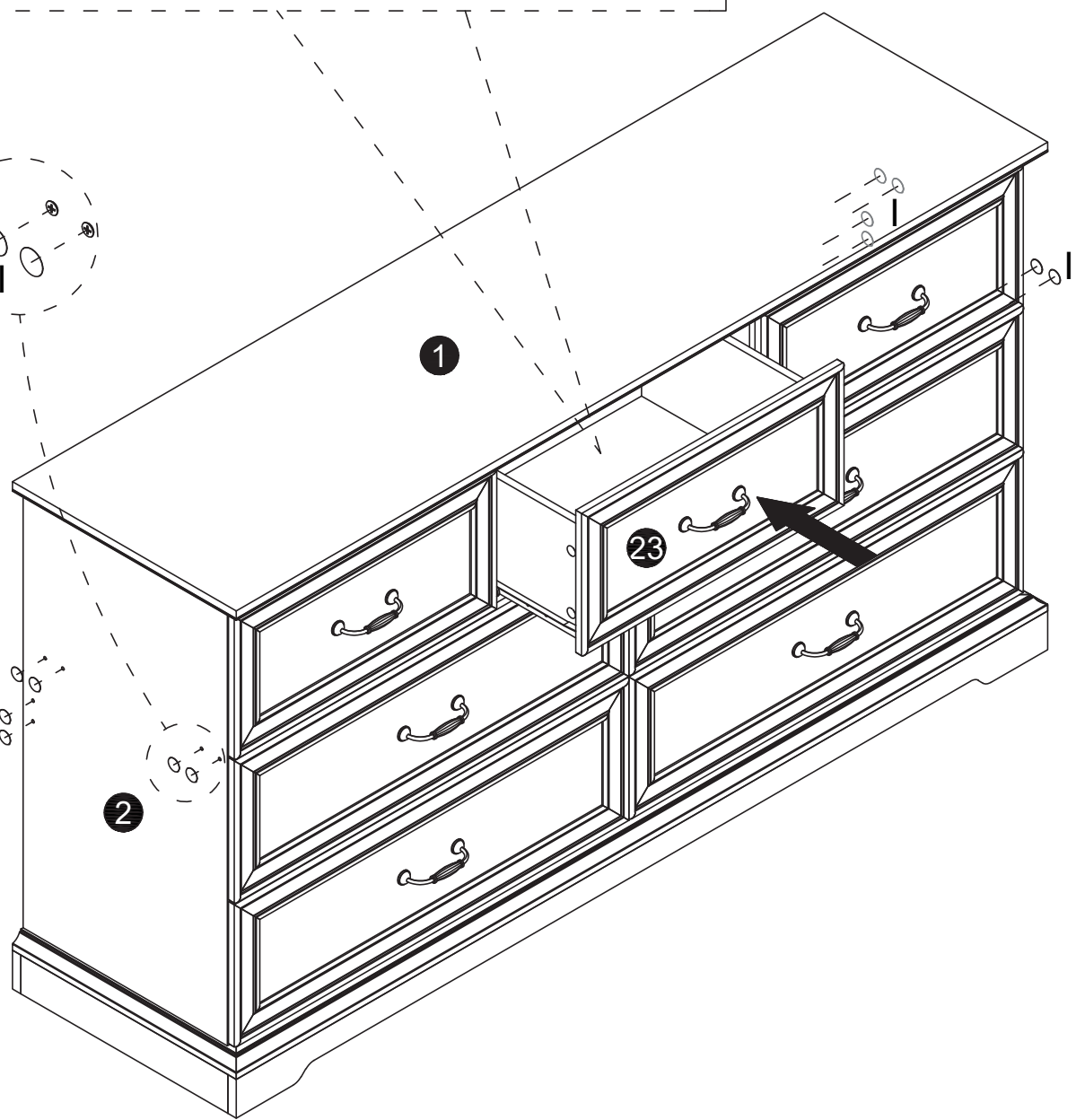
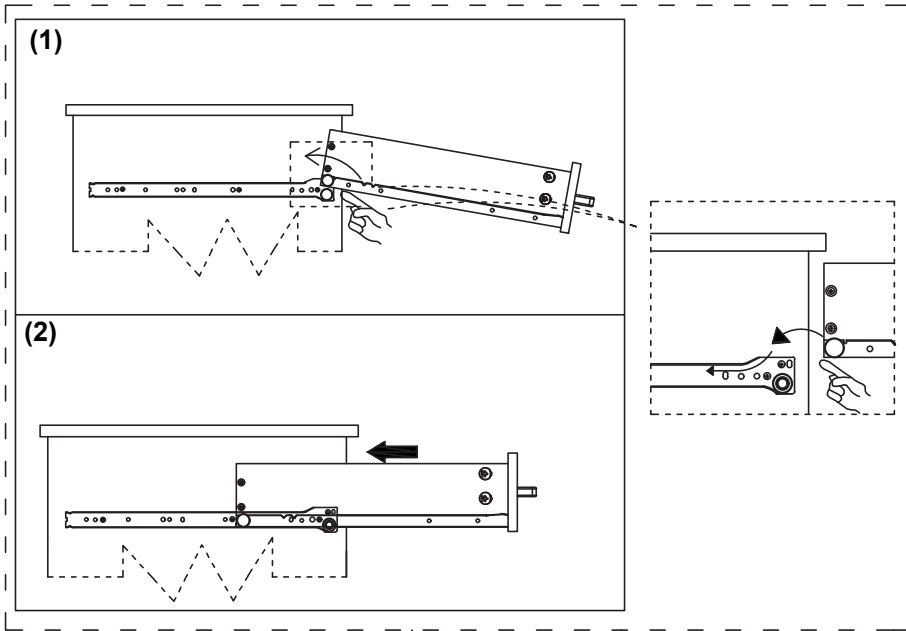


Attention:

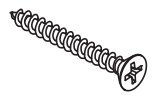


There are three types of drawers, namely drawer 22 , 18 on the left, drawer 24 , 19 on the right and drawer 23 in the middle. The following illustration shows Drawer 24 , 19 on the right .





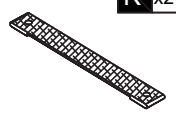
D x2



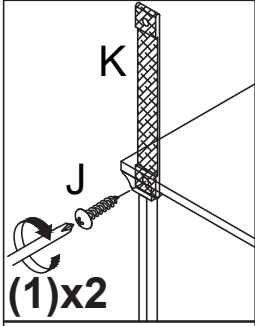
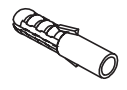
J x2



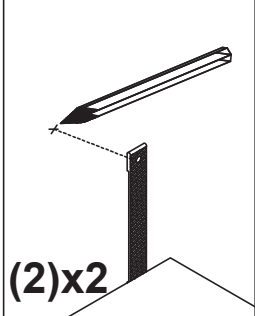
K x2



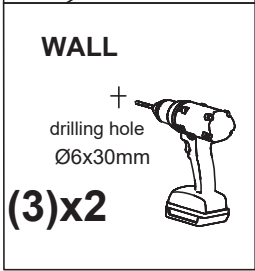
L x2



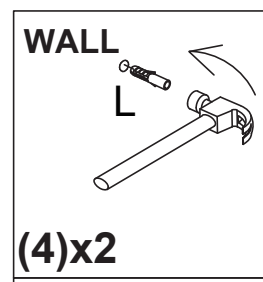
First fix the anti-rewind screw in the reserved hole of the product.



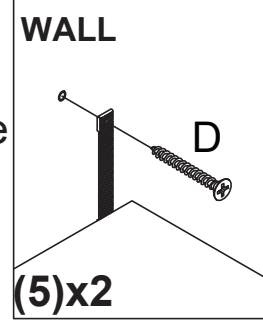
then, use a ruler to measure the approximate height of the product on the wall, and then mark it with a pen.



Then use a tape drill to make holes in the wall that are suitable for the product screws.



Then, put the expansion bolt into the hole



Finally, pass the matching screws through the "anti-rewind" and tighten them to fix them on the wall.

WALL

