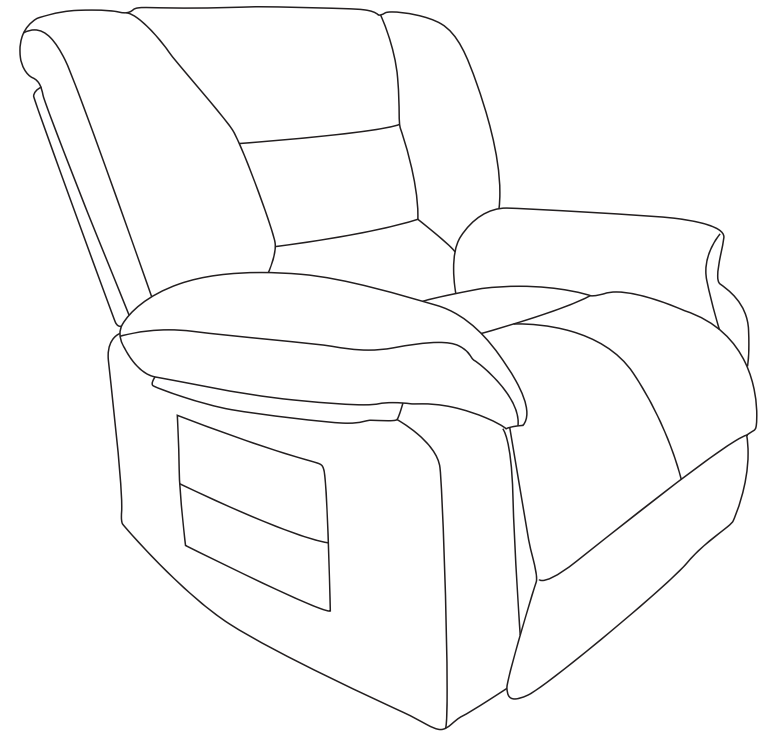


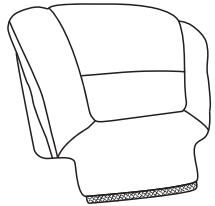
# Recliner Assembly Instructions



THIS INSTRUCTION BOOKLET CONTAINS **IMPORTANT** SAFETY INFORMATION.  
PLEASE READ AND KEEP FOR FUTURE REFERENCE.

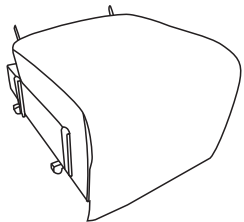
# PARTS AND ACCESSORIES

Avoid using sharp objects such as a knife to cut open packing as you may accidentally damage the upholstery.



The backrest you received has been vacuum-packed. Open the plastic bag and take out the backrest, make it recovery.knead it, make it more fluffy.

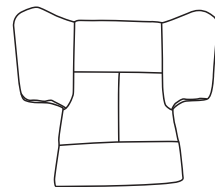
1 Back Cushion \* 1pc



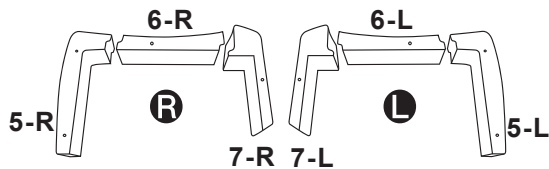
3 Seat \* 1pc



2 Back Frame \* 1pc

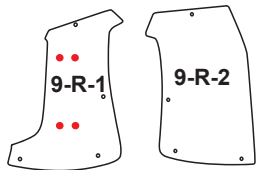


4 Seat armrest cushion \* 1pc

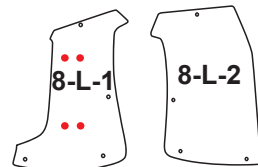


5 6 7 Arm Wooden Frame \* 6pcs

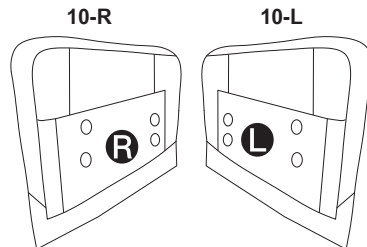
(Accessories are at the bottom of the recliner)



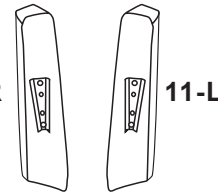
9 Right Arm Board \* 2pcs



8 Left Arm Board \* 2pcs



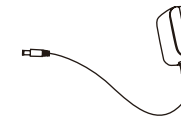
10 Wooden Frame Decorative Sleeve R&L \* 2pcs



11 Backrest Ear Part \* 2pcs



A Massage Remote \* 1pc



B Power Cord \* 1pc



C Metal Bolt \* 4pcs




D M6 Wrench \* 1pc

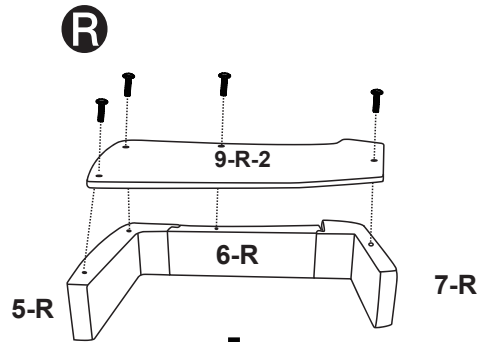


E Screw M6x30 \*24pcs

Please check and ensure all the things are in the package. You can contact us if something is not included. We will reply within 24 hours and try our best to solve it.

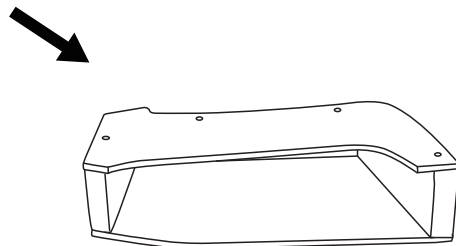
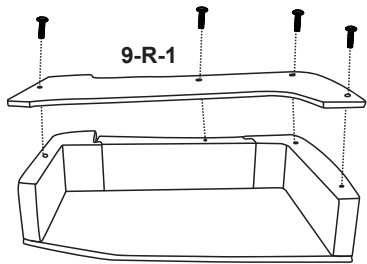
# ASSEMBLY INSTRUCTIONS

**CAUTION:** At least two adults are required to safely complete performing this task.  Other lifting attempts may risk back injury due to large and heavy part(s).



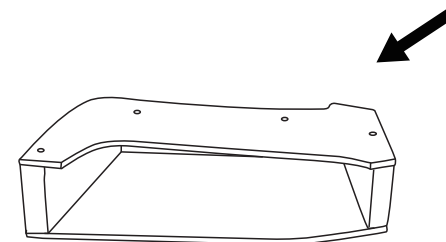
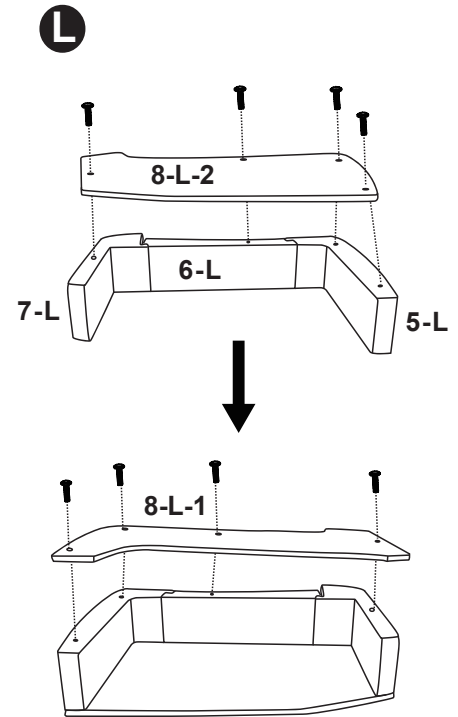
**1.** Carefully unpack and place parts on a clean flat surface. Align the hole of the right arm board **9-R-1** and **9-R-2** with the right arm wooden frame **5-R,6-R** and **7-R**, then thread tighten the screws.

\*NOTE: DO NOT tighten the screws completely until all the screws are fixed in the correct position.



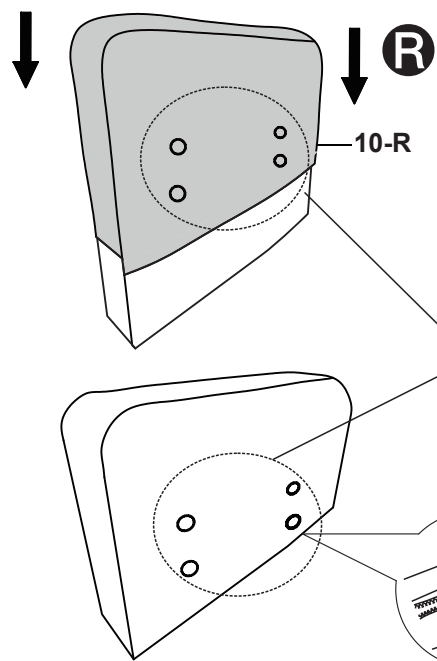
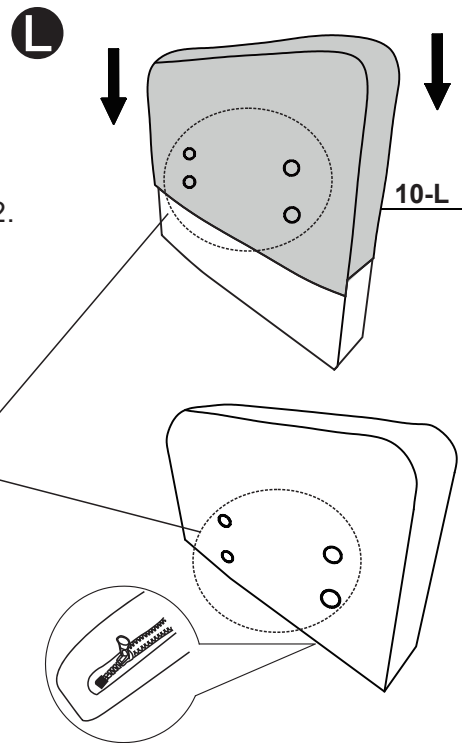
**2.** Align the hole of the left arm board **8-L-1** and **8-L-2** with the left arm wooden frame **5-L,6-L** and **7-L**, then thread tighten the screws.

\*NOTE: DO NOT tighten the screws completely until all the screws are fixed in the correct position.



- 3.** Cover the Left wooden frame decorative sleeve 10-L on the Left wooden frame assembled in step 2. Then, align, stick and zipper the two side velcro of Left wooden frame decorative sleeve 10

align the four holds of wooden from with the four holds of arm sleeve

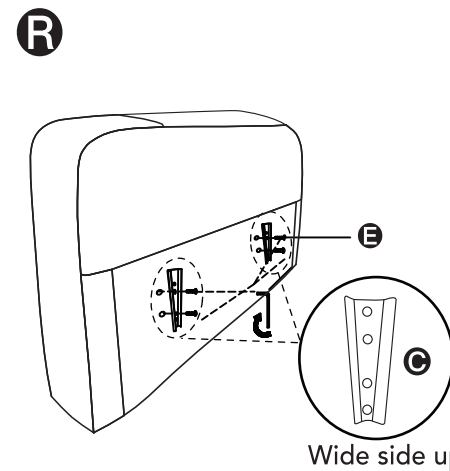
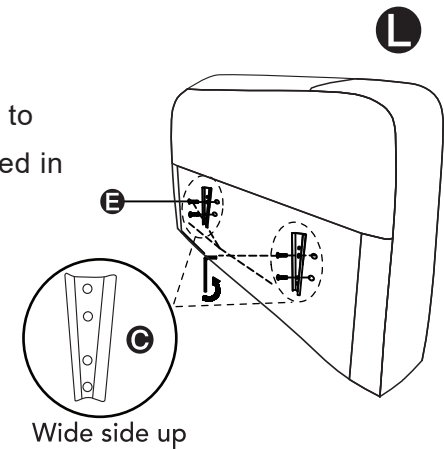


- Cover the Right wooden frame decorative sleeve 10-R on the Right wooden frame assembled in step 1. Then, align, stick and zipper the two side velcro of Right wooden frame decorative sleeve 10

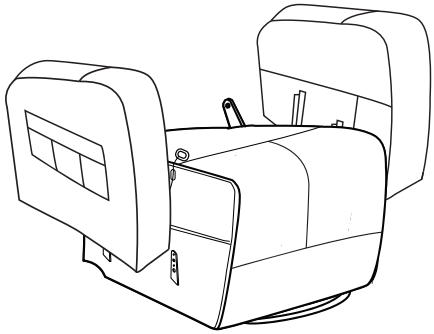
align the four holds of wooden from with the four holds of arm sleeve

- 4.** Attach the metal bolts C to the Left armrest assembled in step 2 with screws E.

\*NOTE: Place the wide side of the metal plates upward for installation. If the position is incorrect, this parts cannot be properly snapped into the seat's metal plates.

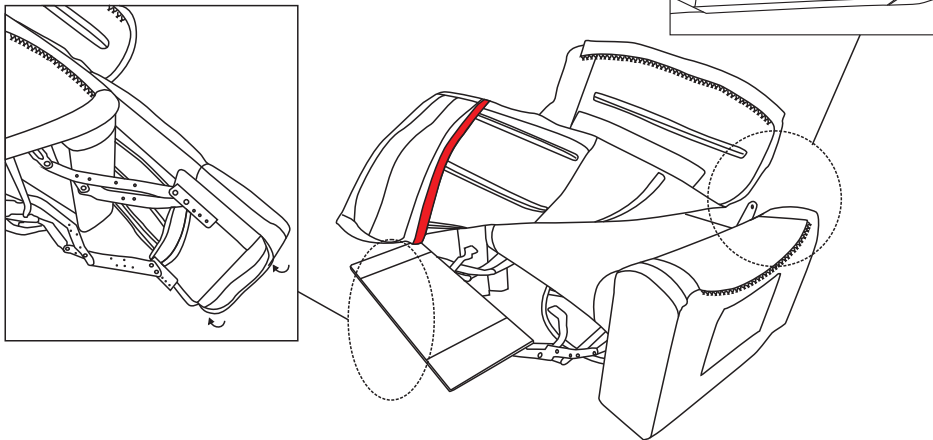


- 5.** Refer to step 4 to install the metal bolts on the Right armrest assembled in step 3.

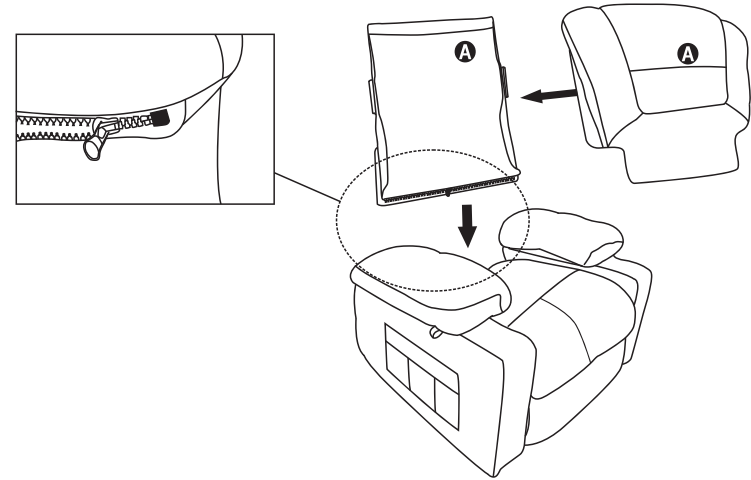


- 6.** Insert the metal bolts of the two armrests to the **Seat Frame 3** as shown below. Ensuring they are correctly in place.

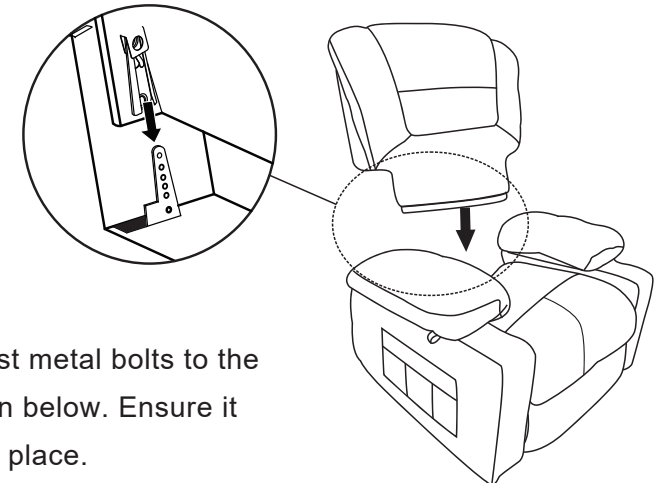
- 7.** Align ,stick and Zipper the **seat armrest cushion 4** and the **seat frame 3**



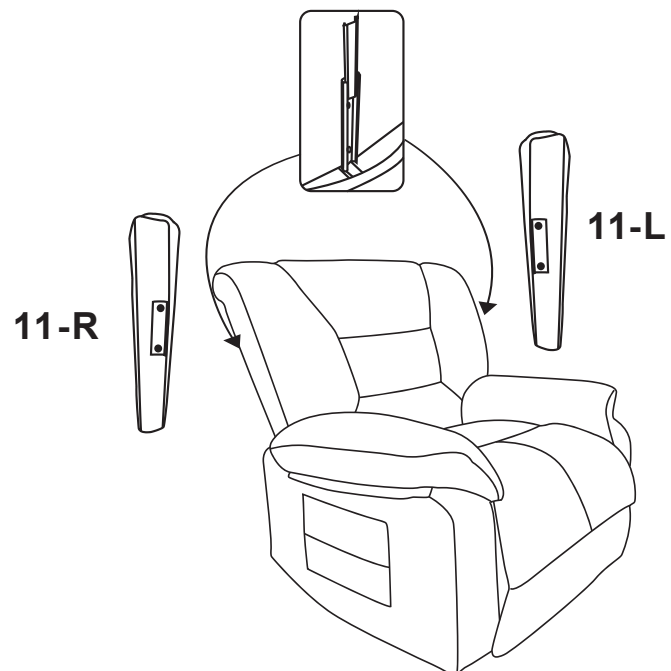
- 8.** Align ,stick and Zipper the **Back Cushion 1** and the **Back Frame 2**



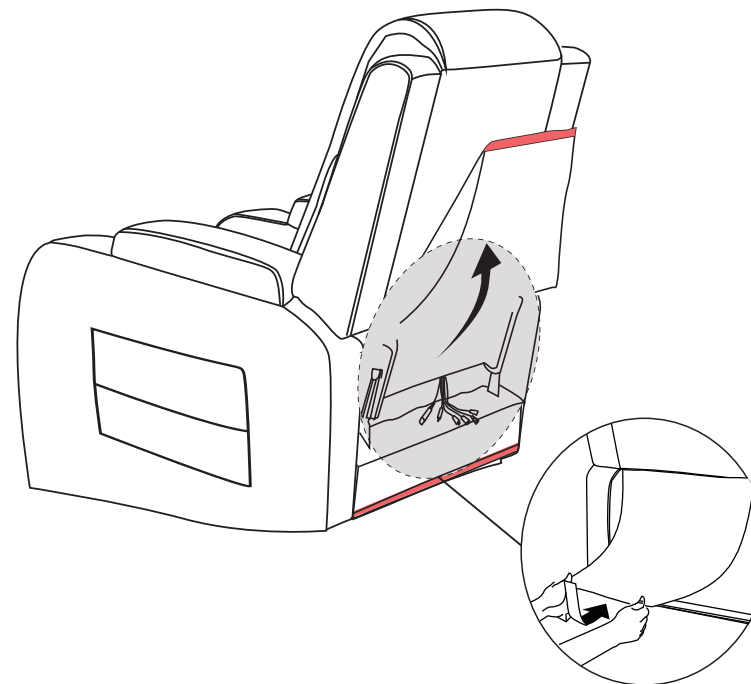
- 9.** Insert backrest metal bolts to the seat as shown below. Ensure it is correctly in place.



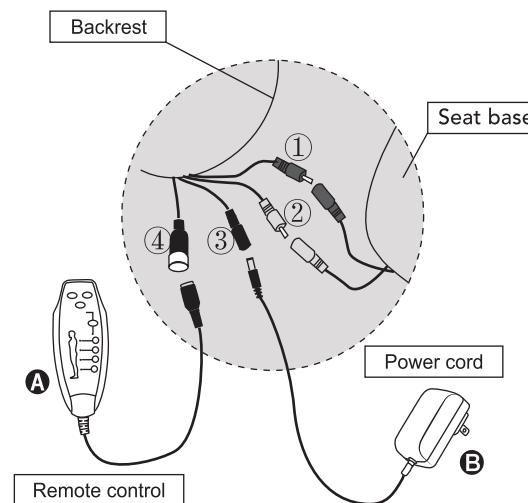
- 10.** Align and stick the **backrest ear 11** to the assembled backrest in step 8.



- 11.** Remove the bottom of the back fabric from the Velcro on the seat base. Connect the cables then cover the back fabric.



The method of connecting the power cords.

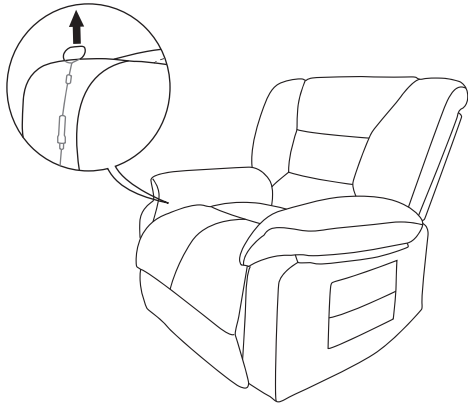


Connect ①② with wires of same color from the seat base.

Connect ③ with Power Cord **B** and ④ with Remote control **A**

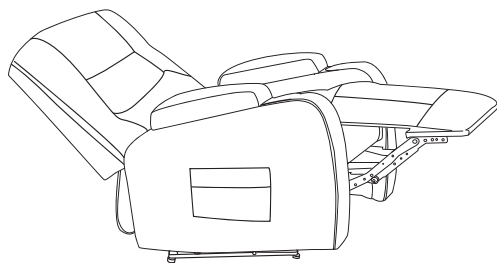
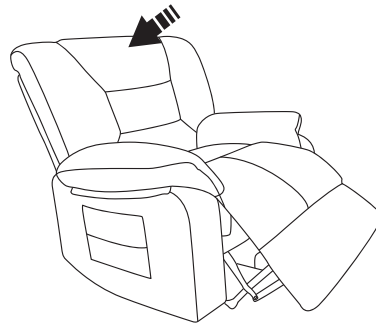
## RECLINE & FOOTREST OPERATING

### A. How to recline



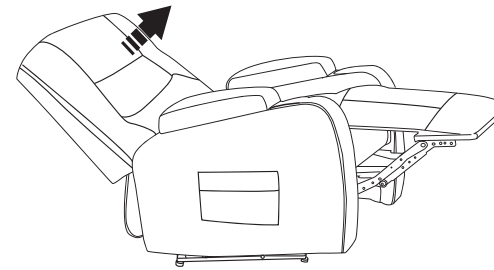
1. Pull the handle to lift the footrest separately.

2. Put some pressure onto the backrest to recline back.



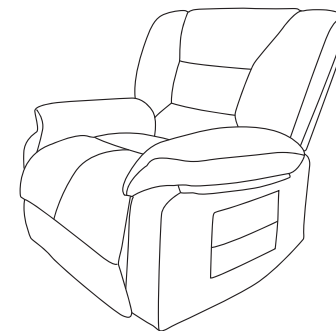
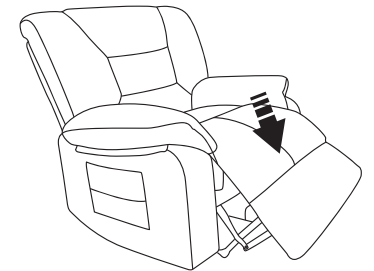
3. Have a relax.

### B. How to get footrest pushed down?



1. The backrest will return to the upright position by moving forward.

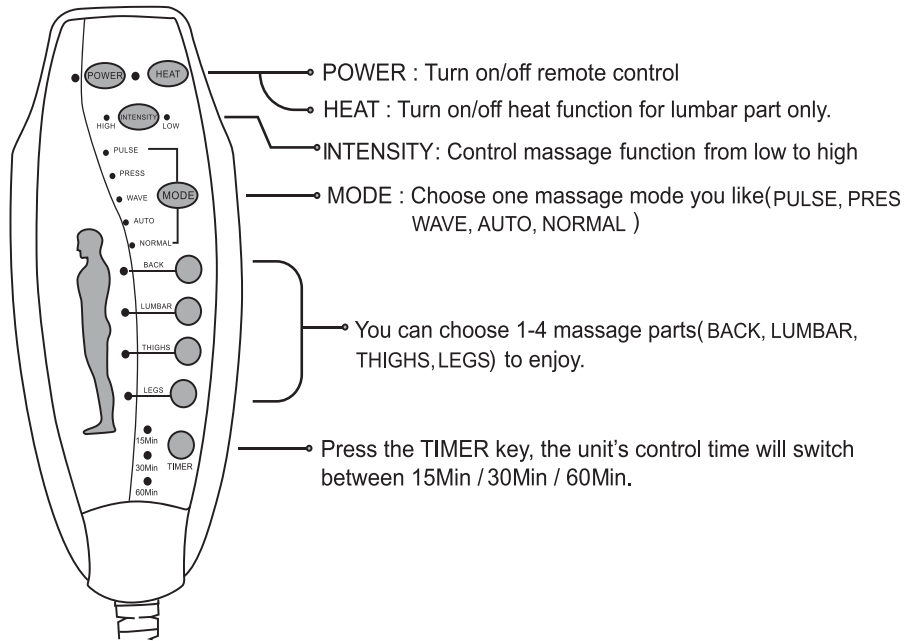
Accompany the footrest to the initial position by putting pressure with your legs.



3. The recliner returns to the upright position.

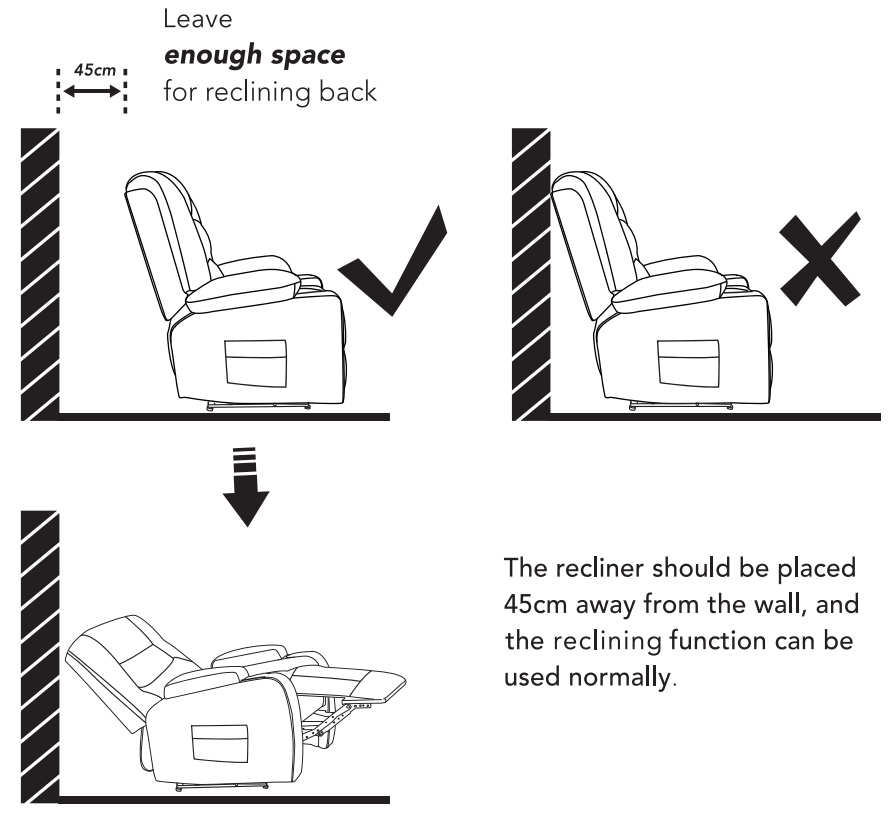
## C. Massage operation

**INTENSITY:** Change intensity (HIGH or LOW) during all modes.



We recommend that the unit be used only for a few minutes initially, to allow your body to get used to the massage sensation. Gradually increase the length of time you use the massage function, over the first few periods of use. Should you experience any adverse reactions, stop using immediately and consult your medical practitioner.

## USAGE



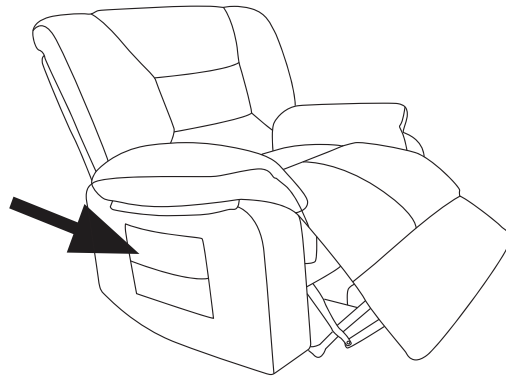
## PROPER USAGE



### Steps to safely stand up from your Recliner Chair

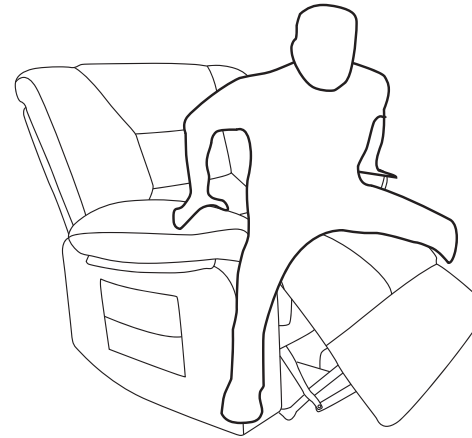
1. Store the **Massage Remote A** safely in the seat's side pocket.
2. Plant feet firmly on the ground
3. Evenly distribute weight on both arms of the chair
4. Slowly stand up from upright position

\* Remember to store remote control safely in the seat's side pocket when it is not in use.



\*Fabric will fade or discolor in direct sunlight. Minimize exposure to direct sunlight to extend the life of your furniture.

## IMPROPER USAGE



**DO NOT** stand up when the footrest is in the upright position.

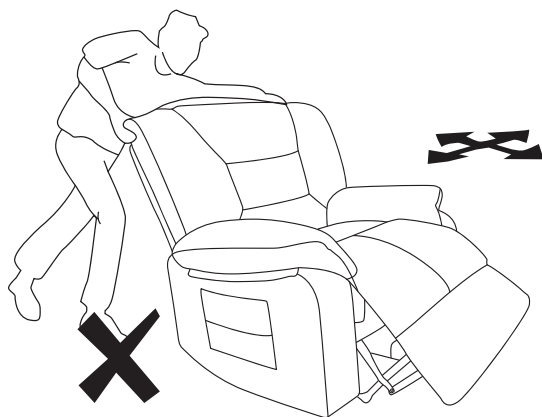
**DO NOT** stand up from your recliner chair with uneven weight.



**DO NOT** stand up from your Recliner chair with only one arm.



As all action products contain moving parts, handle all items with care.



\* Only move the recliner when it is in the 'upright' or 'closed' position. Never attempt to move the recliner when it is in any of the reclining positions. Always use the arms to move the Recliner-DO NOT use the backrest or backrest ear parts.

# WARRANTY

So glad you have completed the assembly and can enjoy it. If you are satisfied with our products, thank you for showing your favored massage recliner to your around.

Our products come with a 2-month warranty, you can feel free to contact us at any time.

## **Methods :**

If you choose Amazon, going to your Amazon order detail page, Order>sold by>contact seller  
(guaranteed response within 24 hours)

# AFTER-SALE POLICY

## **1. For return reason:**

Wrong purchase, bought by mistake, no longer needed, doesn't meet expectation, a size smaller than expectation, customer need to cover the return shipping fee.

## **2. For cancel order:**

Customer needs to pay for shipping fee and carrier handle fee if the item has been shipped out.

For change address: customer needs to pay for extra shipping fee and carrier handle fee if the item has been shipped out.

## **3. Customer Service:**

Any problem with the product or shipping issue, please feel free to contact us, we will try our best to serve and help.

Dear Customer,

Thank you for choosing us.

For safe use, please read this manual before installation, and keep it for after use. Please feel free to email us if you have any concerns about our products. We'll reply within 24 hours.

The following are the things you need to pay attention to so that we can provide you with services when you encounter problems during the installation and use of the product:

- When the product is damaged due to courier problems, please contact our customer service in time for verification.
- We will rectify the issue as soon as possible;
- We give a 60-day quality assurance;
- We provide a 7-day no-reason return service (note that the returned product will not affect the secondary sales);

We offer product explanations, installation instructions, product maintenance and maintenance methods.

If you feel satisfied with our product and service,

- Please set our store as your favorites;
- Please recommend our products to your friends;
- Please and leave us your purchase experience in our store or product page.

Feedback or reviews from you will greatly help us offer better services to players around the world.

Best regards

Avoid using sharp objects such as a knife to cut open packing as you may accidentally damage the upholstery.

---