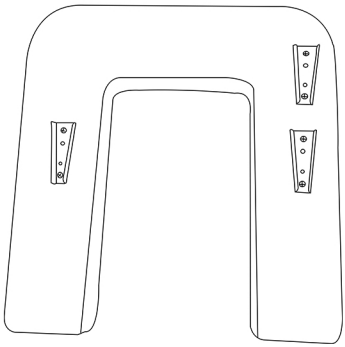
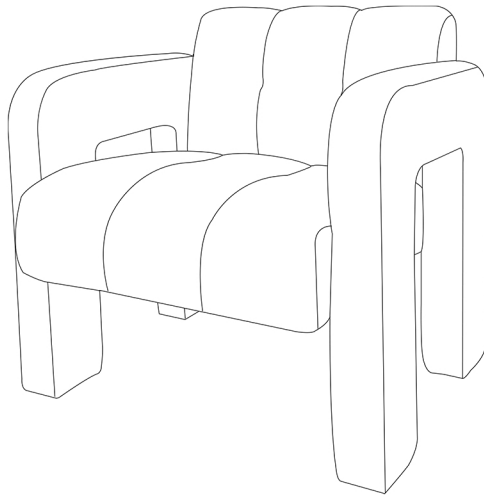
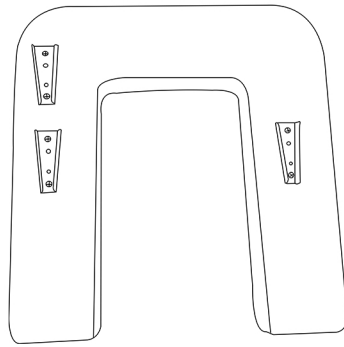


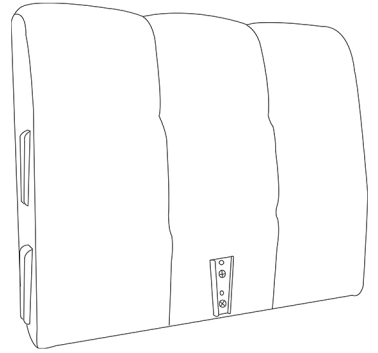
Assembly Instruction



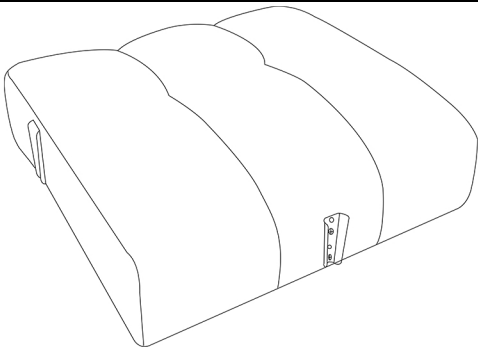
A: Left arm x1pcs



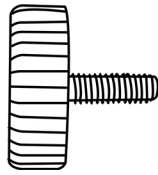
B: Right arm x1pcs



C: Backrest x1pcs

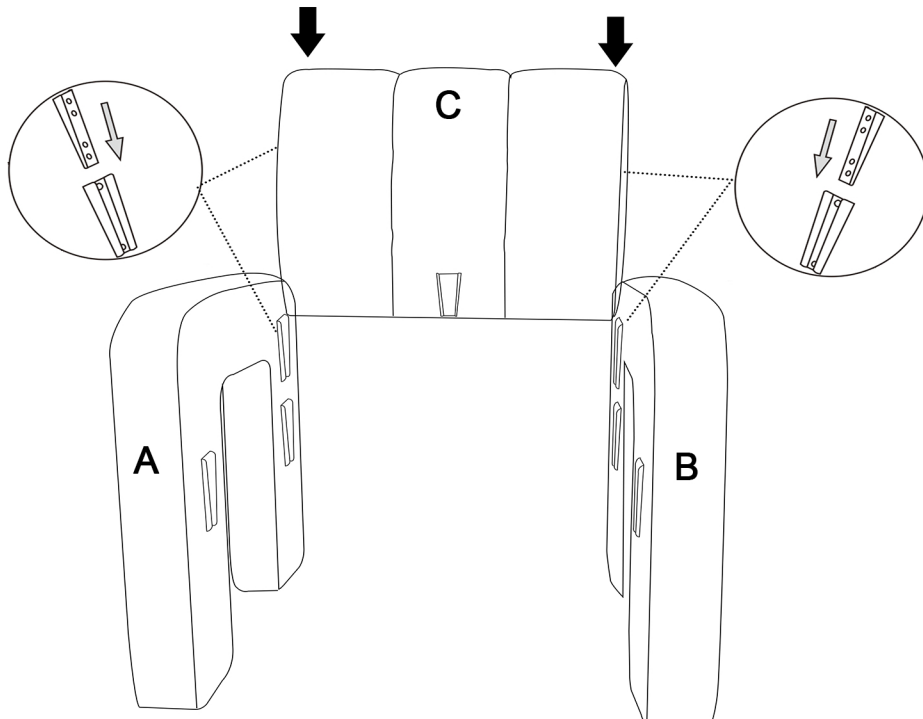


D: seat cushion x1pcs

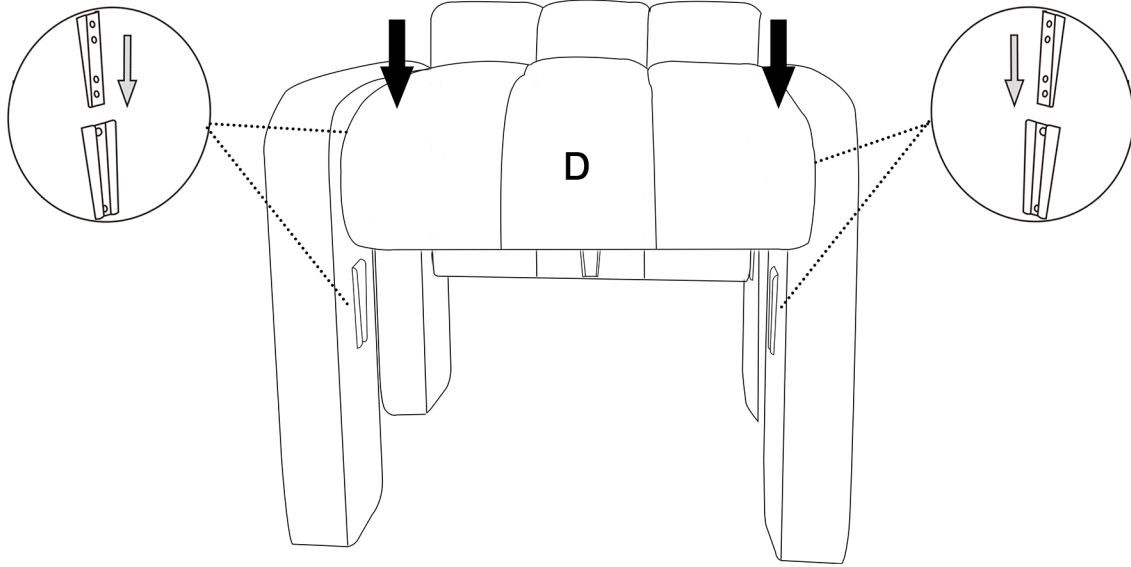


E: legs x4pcs

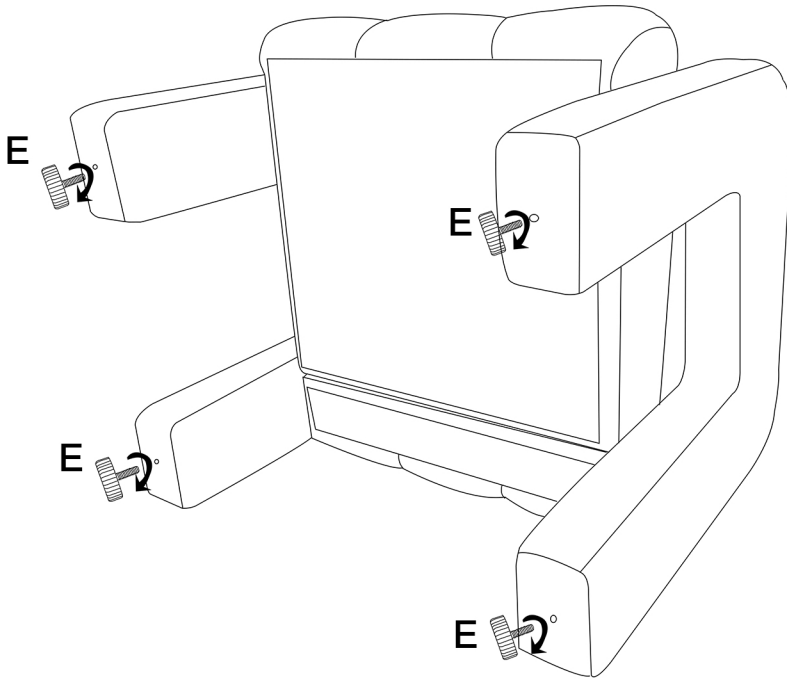
Step 1. Insert the backrest on both armrests as follow.



Step 2. Insert the seat cushion to both armrests.



Step 3. Install the 4pcs of legs as follow.



Finish

