

Assembly Instruction Sheet

Tools Required: Flathead screwdriver, Phillips screwdriver, pliers, wire cutters, wire strippers, electrical tape, safety glasses.

Light Source: (3) B10 Candelabra Base bulbs 60W Maximum.

Estimated Assembly Time: 30-45 minutes

Preparation: Identify and inspect all parts before beginning installation. Check package content list and diagrams below to be sure all parts are present. If any parts are missing or damaged, do not attempt to assemble, install, or operate the fixture. Contact customer service for replacement parts.

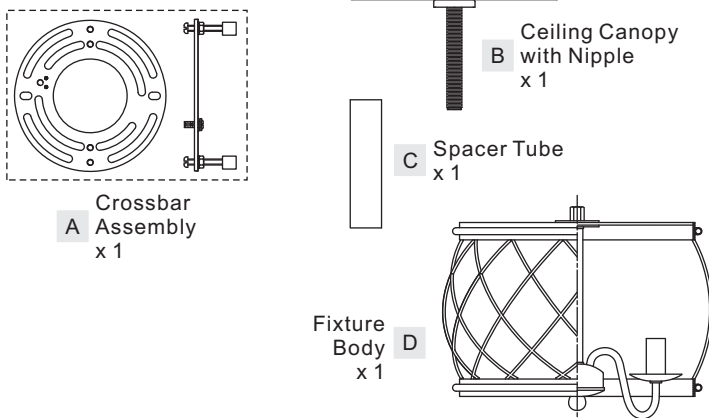
⚠ Warnings and Cautions

Turn off electricity at circuit breaker or main fuse box before installation. Consult a licensed electrician if in doubt.

These instructions are provided for your safety. It is very important you read them completely before installing the fixture. We strongly recommend that a licensed, professional electrician perform the installation.

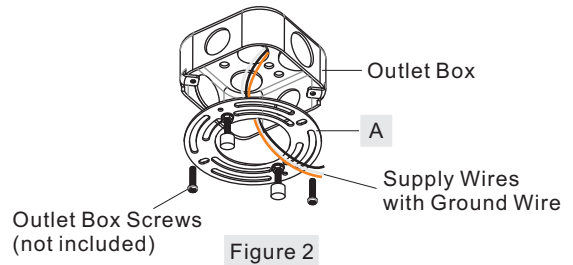
Disconnect fixture from power source before replacing bulbs. Make sure bulbs are given sufficient time to cool before removal.

Package Contents



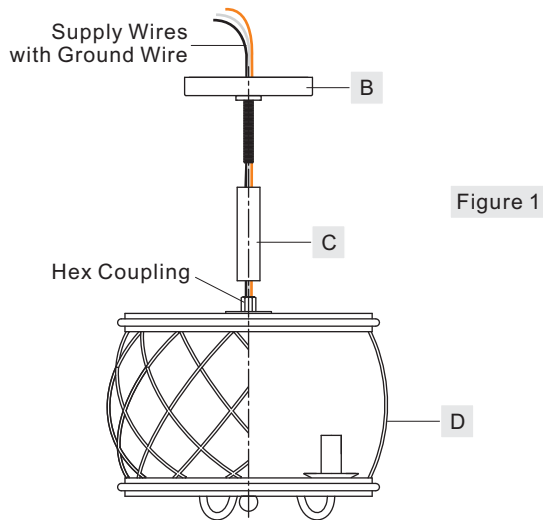
STEP 2 – Installing the Crossbar Assembly

A. Pass the supply wires with ground wire from outlet box through the Crossbar Assembly (A). Attach the Crossbar Assembly (A) to the Outlet Box with the head of the Green Ground Screw facing you. Secure the Crossbar Assembly (A) with Outlet Box Screws (not included). Tighten until snug.



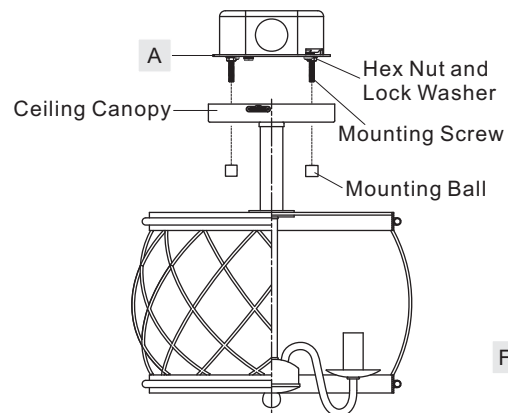
STEP 1 – Install Spacer Tube and Ceiling Canopy

A. Pass the supply wires and ground wire from fixture through the Spacer Tube (C) and the Ceiling Canopy with Nipple (B) in turn. Place the nipple of the Ceiling Canopy with Nipple (B) through the Spacer Tube (C) and thread the nipple onto the hex coupling on the top center of the Fixture Body (D). Hand tighten until snug.



STEP 3 – Test Fit the Ceiling Canopy to the Crossbar Assembly

A. Remove the mounting balls from the Crossbar Assembly (A). Place the ceiling canopy onto the Crossbar Assembly (A) and secure with mounting balls. Note: The ceiling canopy should be snug against the ceiling and held tight with the mounting balls. If it is not, adjust the length of the mounting screws on the Crossbar Assembly (A) by unscrewing the preassembled hex nut and lock washer and then screwing the mounting screws in or out of the crossbar until the correct length is achieved. Once the ceiling canopy is secure, remove the mounting ball and fixture and proceed to Step 4.



STEP 4 - Wire Connections

A. Use standard wire connectors (not included) to make all wire connections. Twist connectors until wires are tightly joined together. Wrap each connection with approved electrical tape and carefully stuff all the connected wires into the Outlet Box.

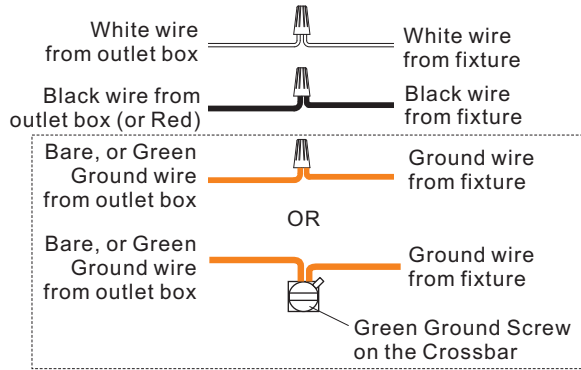


Figure 4

STEP 5 - Install the Fixture Body

A. Position the ceiling canopy and fixture body onto the Crossbar Assembly (A). Place the holes in the ceiling canopy over the mounting screws. Secure the fixture body by using the mounting balls and hand tighten the mounting balls until snug.

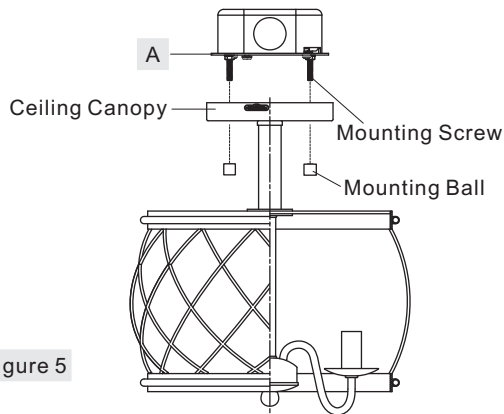


Figure 5

STEP 6 - Install Bulbs

A. Insert bulbs onto sockets and screw snugly into place.

Your fixture is now assembled and ready to use. Enjoy!

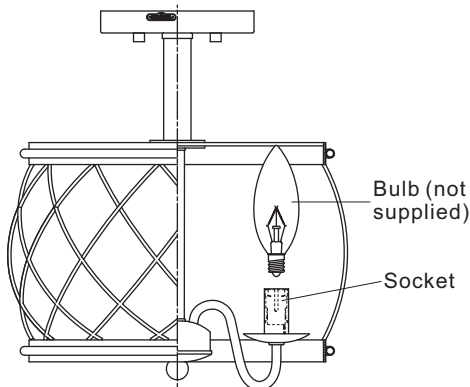
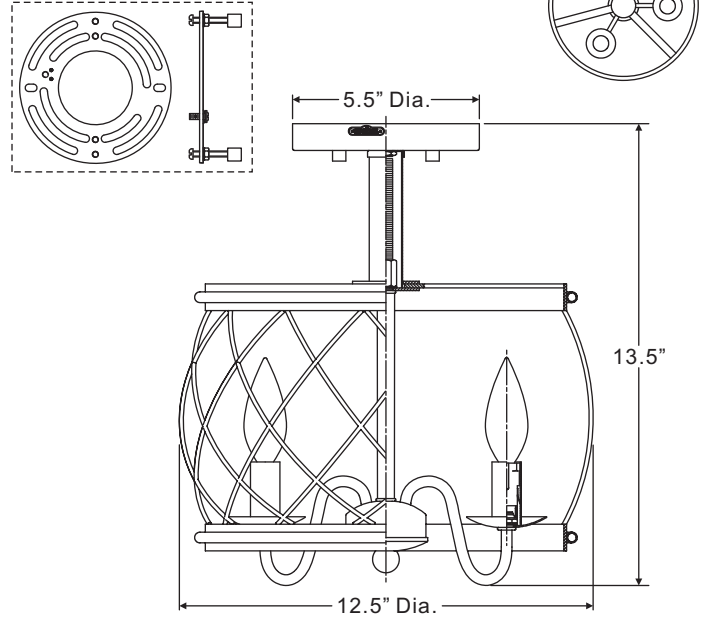


Figure 6

FINISH: CENTURY SILVER LEAF



NOTE: ALL DIMENSIONS ARE ROUNDED UP TO THE NEAREST 1/4"