














ASSEMBLY INSTRUCTION

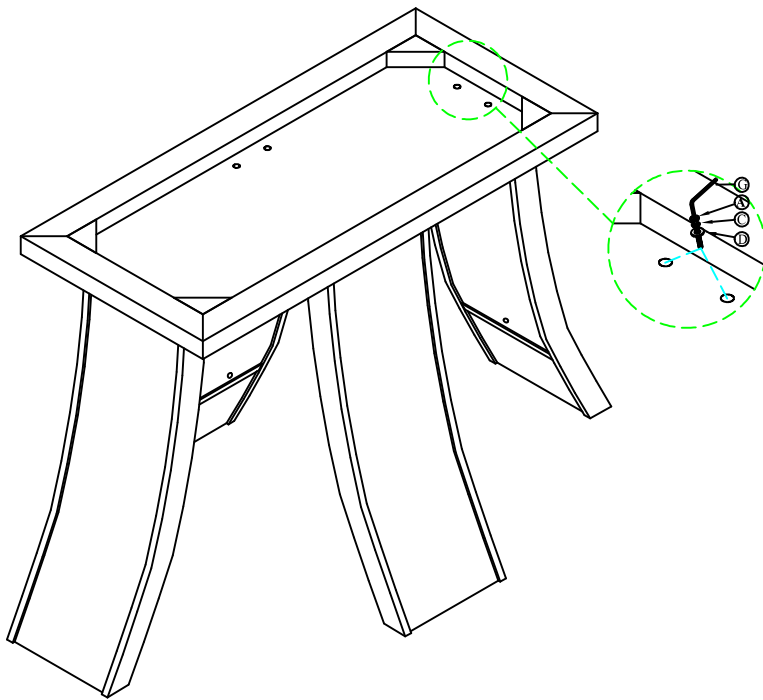
DIMENSION : 72"L x 42"W x 31 1/2"H

Item No : F2153
Description: Dining Table

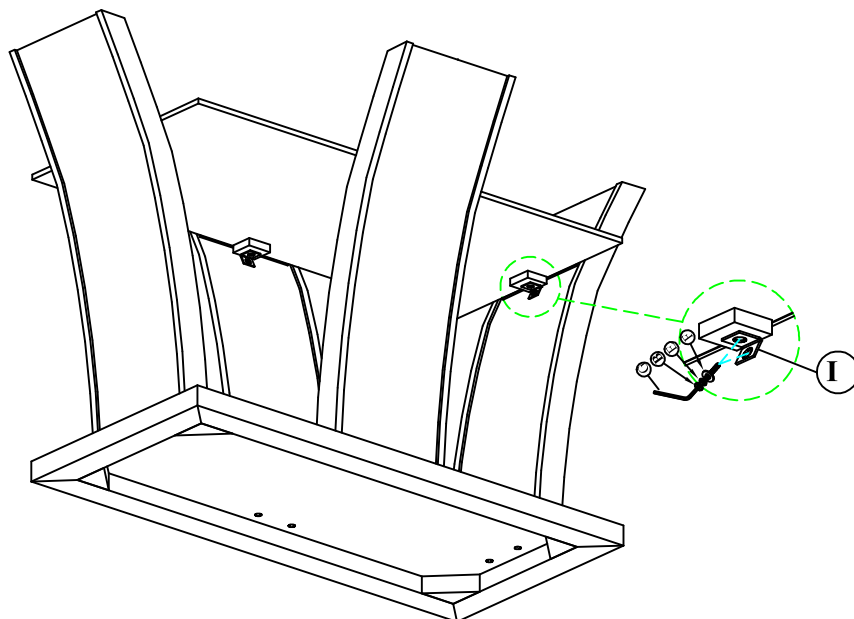
N _o	LIST OF PART	Q'TY
1	TABLE LEG 	4pcs
2	BOTTOM PANEL 	1pc
3	SHELF 	1pc
4	GLASS 	1pc

N _o	LIST OF HARDWARE	Q'TY
A	BOLT  Ø5/16" x 38 mm	8pcs
B	BOLT  Ø1/4" x 15 mm	8pcs
C	LOCK WASHER  Ø5/16" x 10 x 1 mm	8pcs
D	FLAT WASHER  Ø5/16" x 22 x 2 mm	8pcs
E	LOCK WASHER  Ø1/4" x 10 x 1 mm	8pcs
F	FLAT WASHER  Ø1/4" x 22 x 2 mm	8pcs
G	ALLEN KEY  4 mm	1pc
H	GLASS HOLDER 	4pcs
I	BRACKET 	4pcs

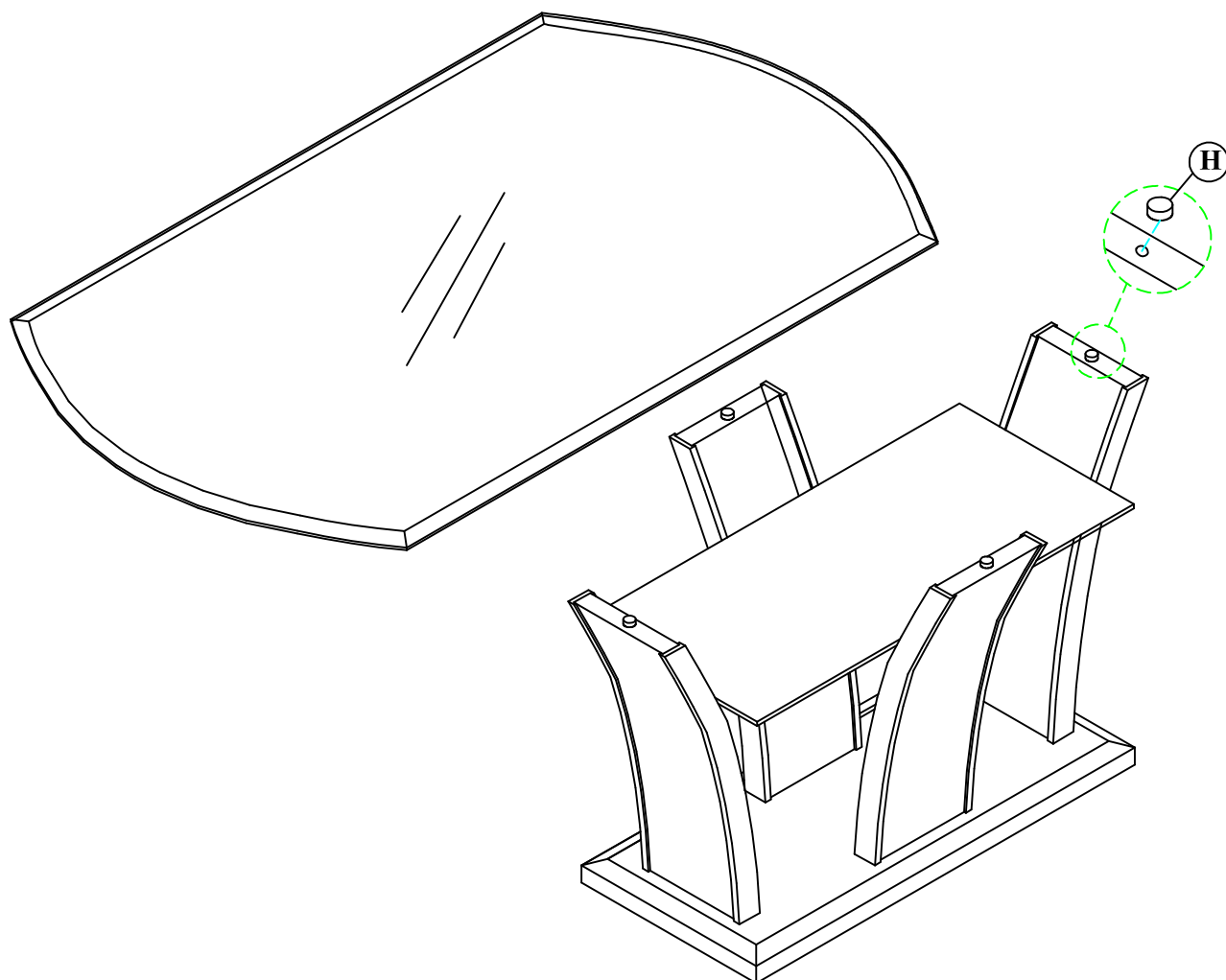
STEP 1



STEP 2



STEP 3



STEP 4

