

installation instructions:

CEILING RINGS

SAFETY INSTRUCTIONS

Make sure to use the correct tools recommended.

Wear safety goggles.

Follow fixture, power tools, and paint manufacturers' instructions and users manuals.

Use common sense and follow good construction practices.

TOOL & MATERIAL CHECKLIST

- Loctite Power Grab
- elastomeric adhesive caulk
- caulking gun
- nail gun
- finishing nails
- extra fine sandpaper
- putty knife

IMPORTANT INFO

- It is highly recommended that you paint/finish our ceiling rings before you install them. Once installed, you can apply any necessary touchup paint/finish.
- Clean installation surface and back of ceiling ring of all dirt and dust with a clean cloth or sponge.
- Make sure that the surface and the back of the ceiling ring are completely dry before attempting installation.
- Measure and mark the location where the ceiling ring is going to be installed.

INSTALL INSTRUCTIONS:

WHOLE INSTALLATION

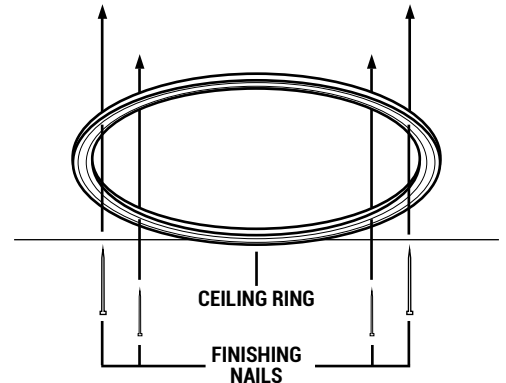
1. Lay the ring face down on a soft surface that will not scratch/dent the medallion detail.
2. Apply a 1/2" bead of adhesive caulk (we strongly recommend Loctite Power Grab) all the way around the back edge of the ring.
3. Gently press the ring up against the ceiling or wall.
4. When pressing the ring up against the ceiling or wall, some adhesive caulk will seep out. Smooth excess caulk around the ring with a finger or the putty knife and apply extra caulk that is needed to fill in any gaps.
5. Wipe off any excess adhesive caulk with a sponge or damp rag.
6. Larger rings will need to be installed with nails in addition to the adhesive.
Note: If you would like to remove the nails after the adhesive sets, leave at least 1/2" of the nail sticking out from the ring, so you can easily pull it out.

QUARTER INSTALLATION

1. Lay the pieces of the ring face down on a soft surface that will not scratch/dent the medallion detail.
2. Miter the ends of the pieces so that they form a circle and the details match up.
3. Apply a 1/2" bead of adhesive caulk (we strongly recommend Loctite Power Grab) all the way around the back edge of the ring.
4. Gently press the ring up against the ceiling or wall.
5. When pressing the ring up against the ceiling or wall, some adhesive caulk will seep out. Smooth excess caulk around the ring with a finger or the putty knife and apply extra caulk that is needed to fill in any gaps.
6. Wipe off any excess adhesive caulk with a sponge or damp rag.
7. Larger rings will need to be installed with nails in addition to the adhesive.
Note: If you would like to remove the nails after the adhesive sets, leave at least 1/2" of the nail sticking out from the ring, so you can easily pull it out.

EXAMPLE DIAGRAM:

WHOLE INSTALLATION



QUARTER INSTALLATION

