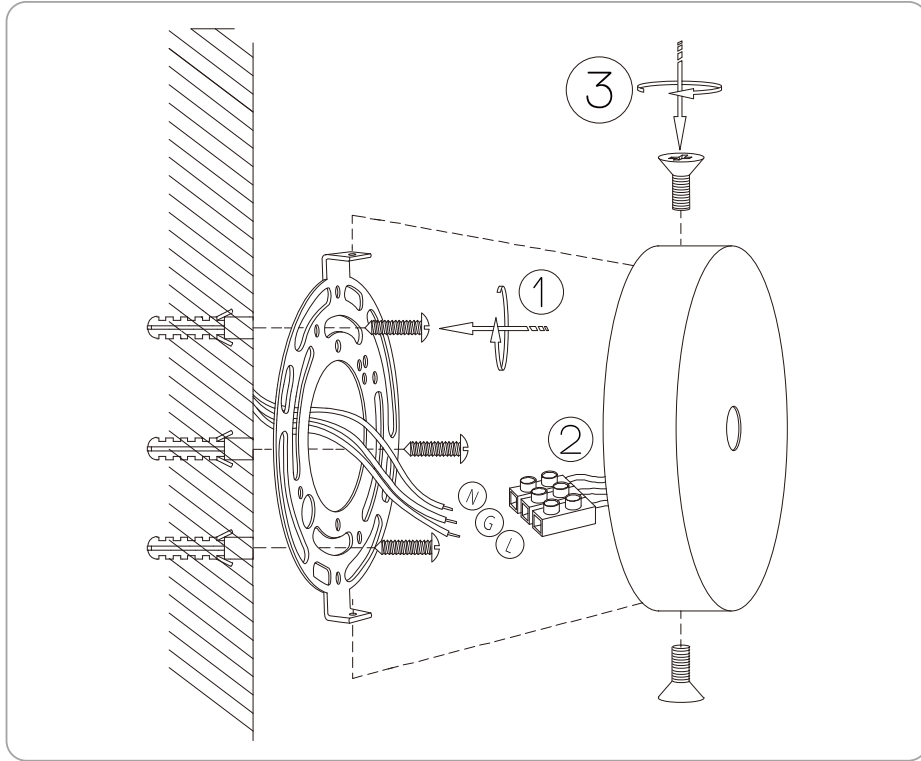


## Ceiling Base Assembly

---



- ① Fix the hanging bracket on the ceiling or wall by screws clockwise. (See the picture).
- ② After turning off the power, connect the electric wires to the right terminals.
- ③ Fix the base to the corresponding screw holes in the hanging bracket with screws (Figure).



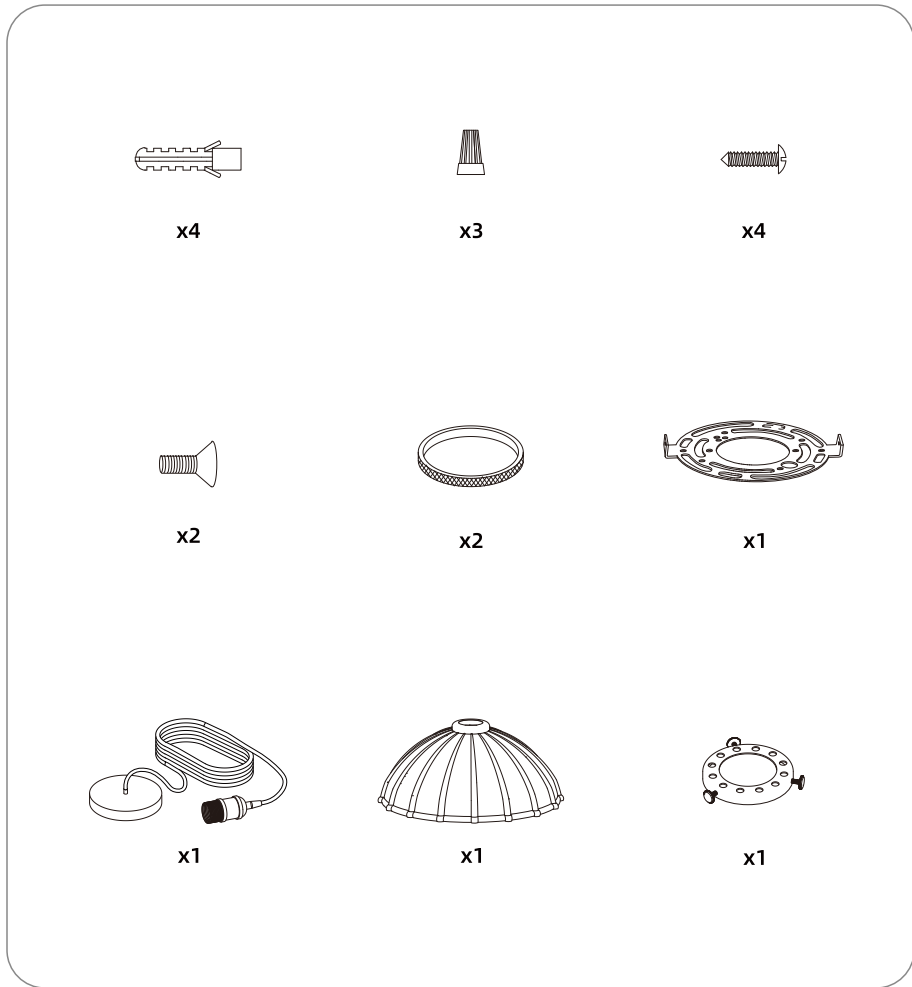
# PENDANT LIGHT

## INSTRUCTION MANUAL

note: If you found the damaged accessories please contact us for free replacenten

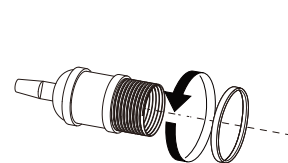
# Product Parts

## ■ Classic Model

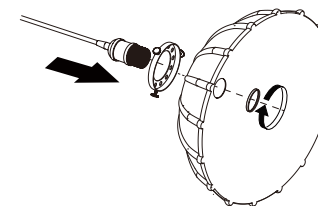


## Lamp shade and switch

### ■ Lamp cover assembly



1. Remove the ring



2. Install the lamp cover and tighten the ring.

### ■ Installation Complete

