


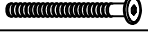






ASSEMBLY INSTRUCTIONS

Read this instruction carefully. See hardware and furniture part list for guidance. Be sure all part is complete, before you assemble. Place all wooden furniture part on a clean and flat soft surface to prevent from being scratched. Follow the figure to start assembling.

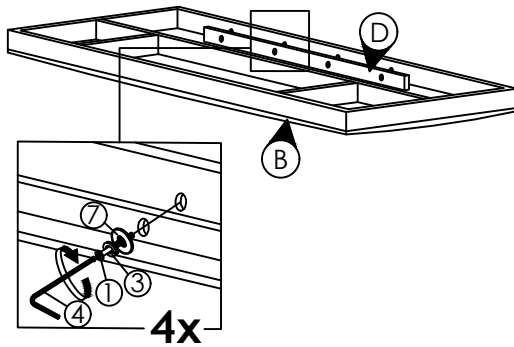
CAUTIONS :

1. Do not FULLY-TIGHTEN the nut or nut bolt until all nut or bolt is ready assembled.
2. Do not OVER-TIGHTEN the nut or nut bolt to avoid causing damages to the thread.
3. Keep all hardware part out of reach of children.

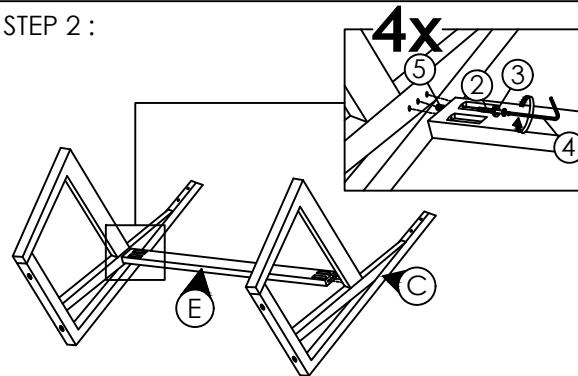
PART LIST		
ITEM	DESCRIPTION	QTY
A	BENCH CUSHION BACK	1 PC
B	BENCH SEAT	1 PC
C	BENCH LEG (L & R)	2 PCS
D	RAIL FRONT	1 PC
E	RAIL BACK	1 PC

HARDWARE LIST		
ITEM	DESCRIPTION	QTY
1	JCBC SCREW M6 x 40MM 	8 PCS
2	JCBC SCREW M6 x 50MM 	12 PCS
3	SPRING WASHER 1/4" 	20 PCS
4	ALLEN KEY M4 (BALL SHAPE) 	1 PC
5	WOOD DOWEL DIA 8 x 35MM 	4 PCS
6	ADJUSTABLE SCREW 	4 PCS
7	FLAT WASHER 1/4" 	4 PCS
8	WOOD BUTTON 	4 PCS

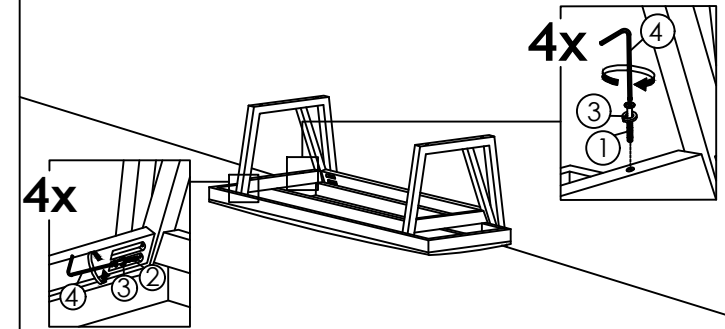
STEP 1 :



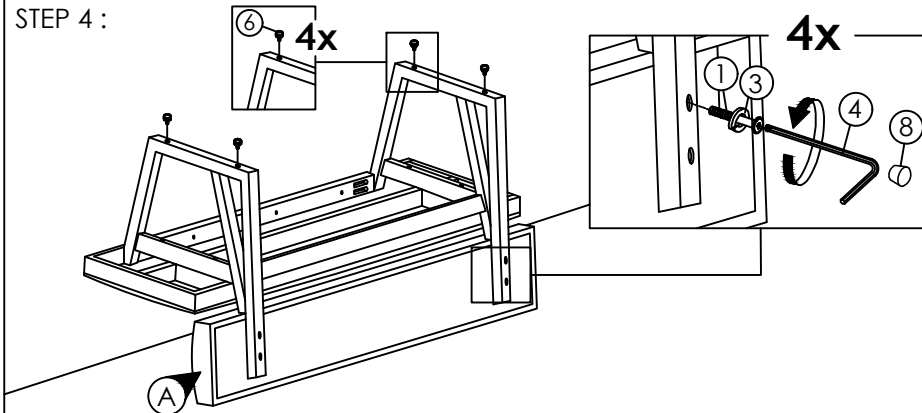
STEP 2 :



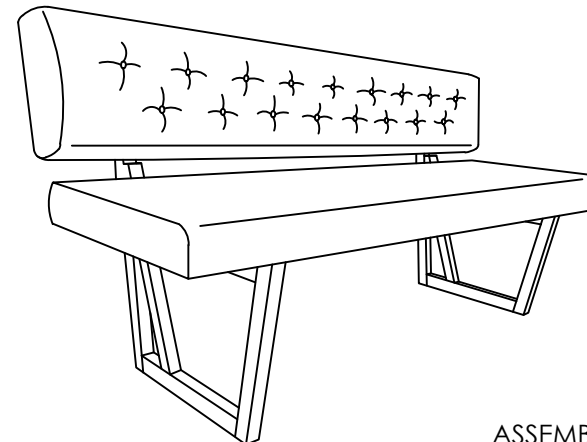
STEP 3 :



STEP 4 :



STEP 5 :



ASSEMBLY COMPLETED