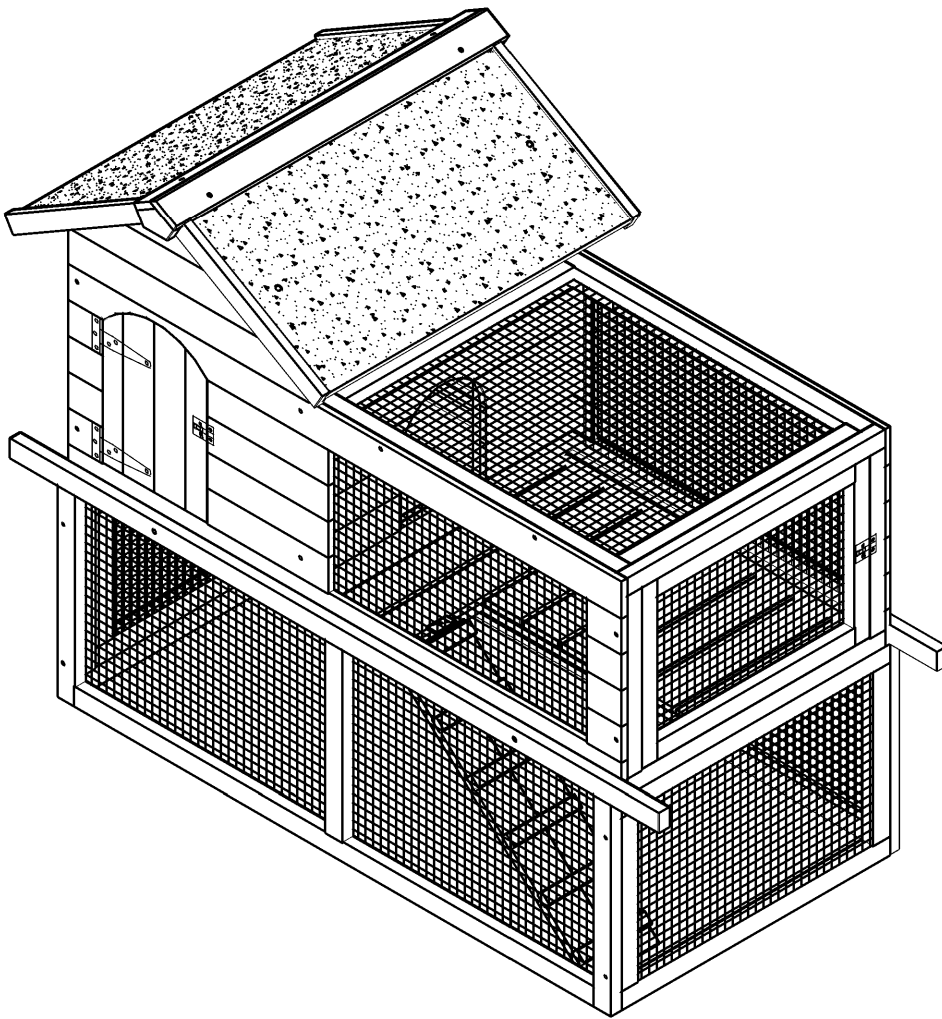
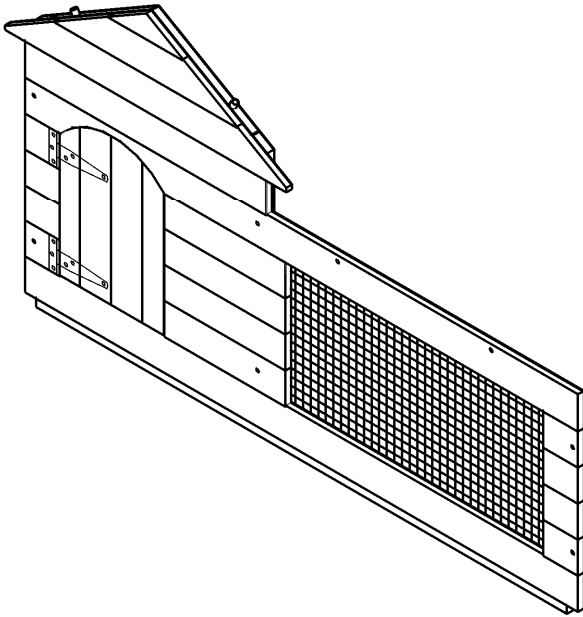


# GA3012



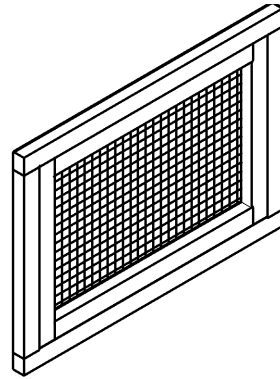
# COMPONENTS

1



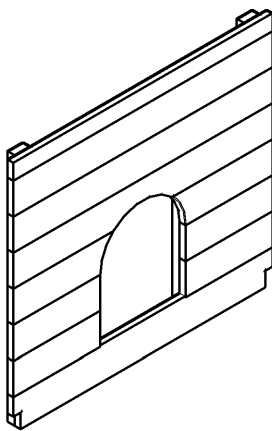
1PC

2



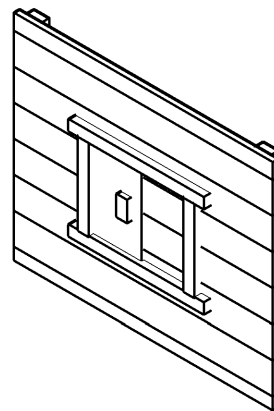
1PC

3



1PC

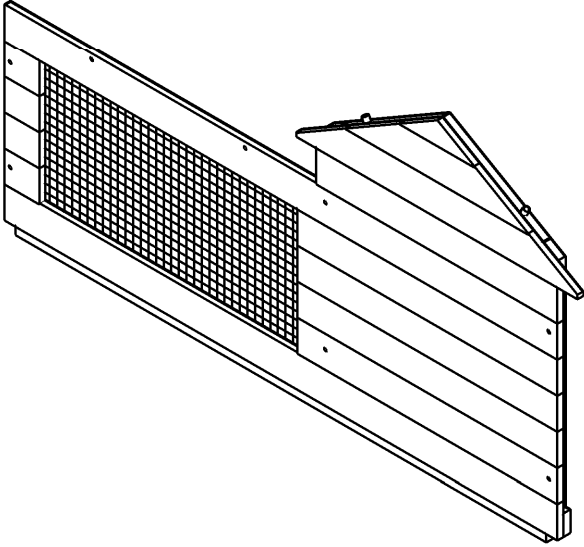
4



1PC

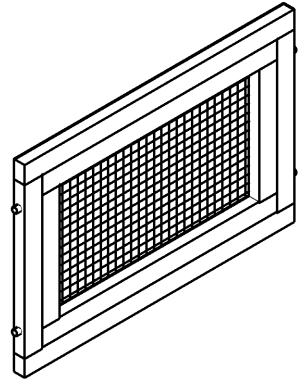
# COMPONENTS

5



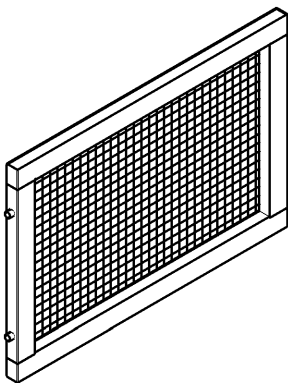
1PC

6



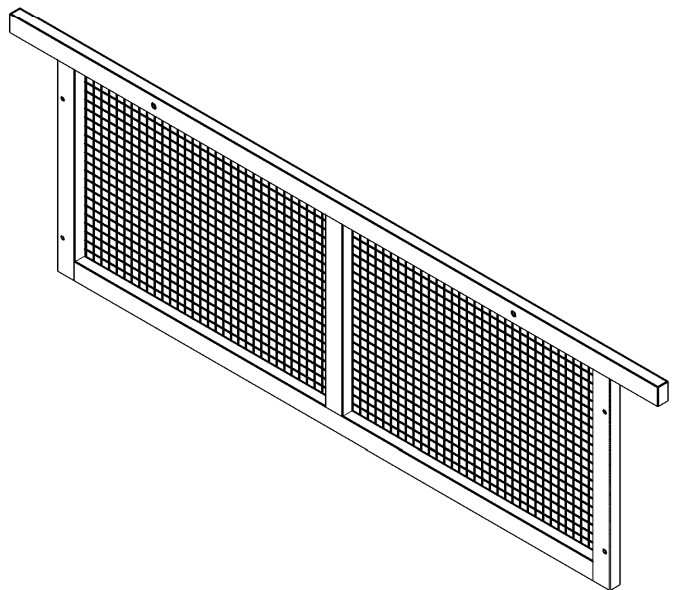
1PC

7



1PC

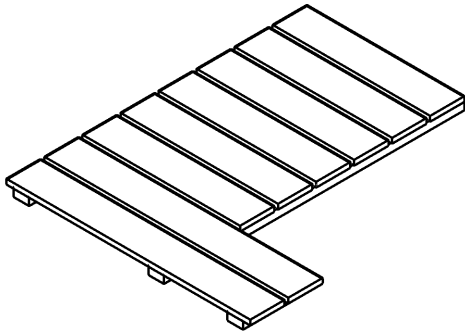
8



2PCS

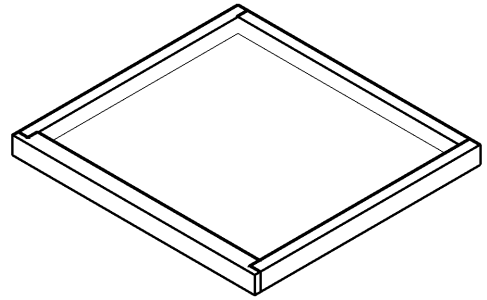
# COMPONENTS

9



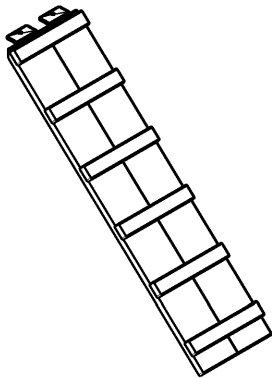
1PC

10



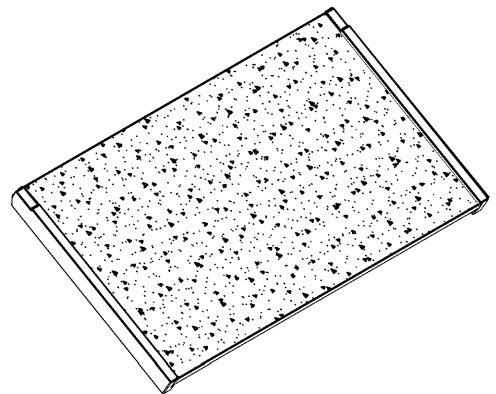
1PC

11



1PC

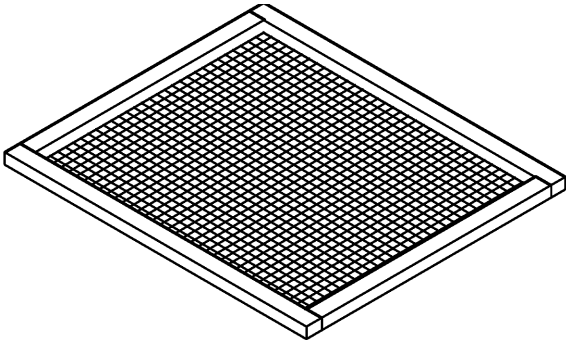
12



2PCS

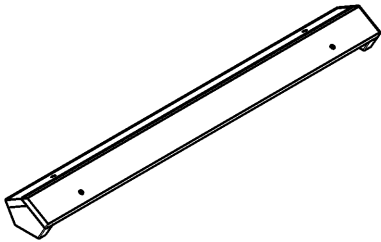
# COMPONENTS

13




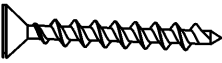
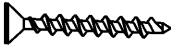
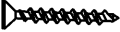
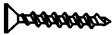
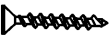
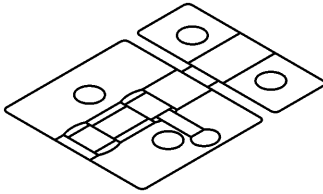
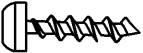
1PC

14



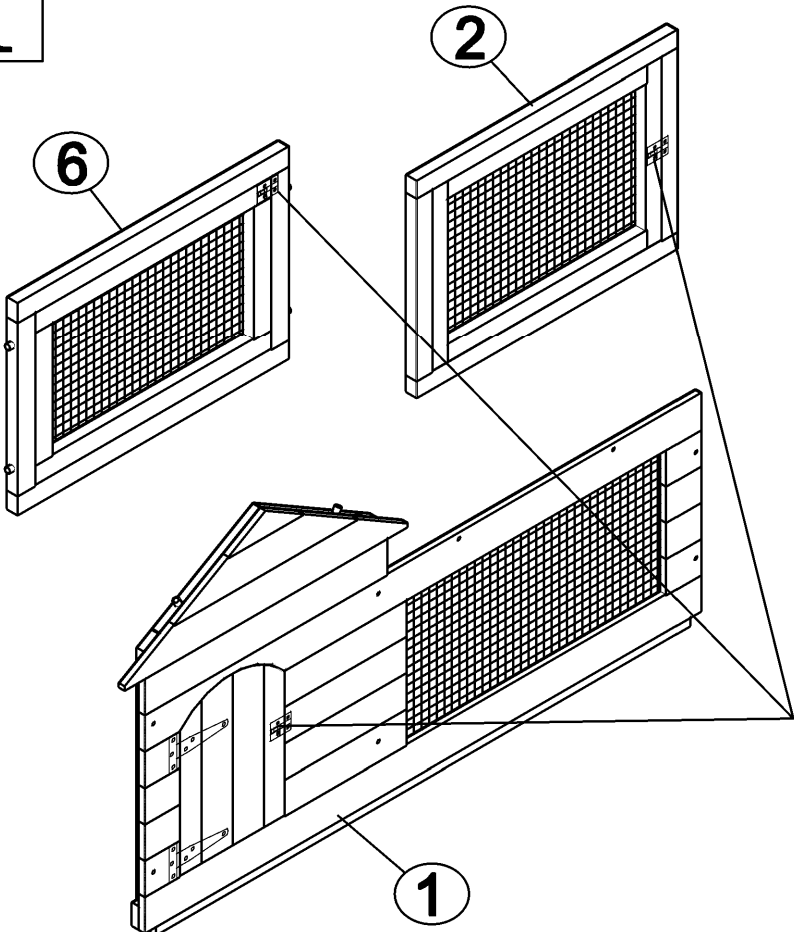
1PC


# COMPONENTS


<p><b>A</b></p>  <p>M3. 5*45mm <span style="border: 1px solid black; padding: 2px;">8+1PCS</span></p>	<p><b>B</b></p>  <p>M3. 5*40mm <span style="border: 1px solid black; padding: 2px;">12+1PCS</span></p>
<p><b>C</b></p>  <p>M3. 5*35mm <span style="border: 1px solid black; padding: 2px;">8+1PCS</span></p>	<p><b>D</b></p>  <p>M3. 5*30mm <span style="border: 1px solid black; padding: 2px;">8+1PCS</span></p>
<p><b>E</b></p>  <p>M3. 5*25mm <span style="border: 1px solid black; padding: 2px;">4+1PCS</span></p>	<p><b>F</b></p>  <p>M3. 0*16mm <span style="border: 1px solid black; padding: 2px;">2PCS</span></p>
<p><b>G</b></p>  <p>1. 1 Inch <span style="border: 1px solid black; padding: 2px;">3PCS</span></p>	<p><b>H</b></p>  <p>M3. 0*10mm Round head <span style="border: 1px solid black; padding: 2px;">12+1PCS</span></p>

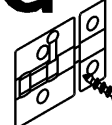
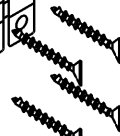
# Assembly Steps

1

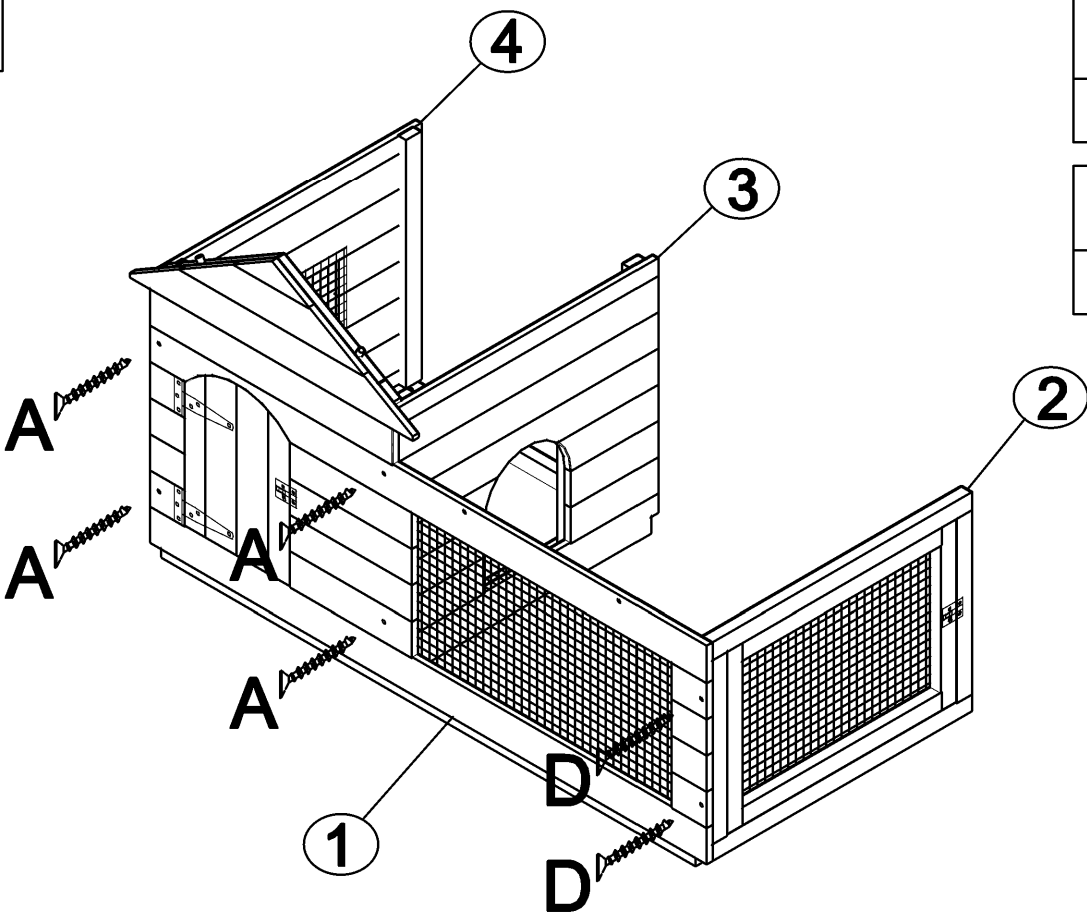



  
G 3PCS


  
H 12PCS

**G\*3**  
  
**H\*4**  


2

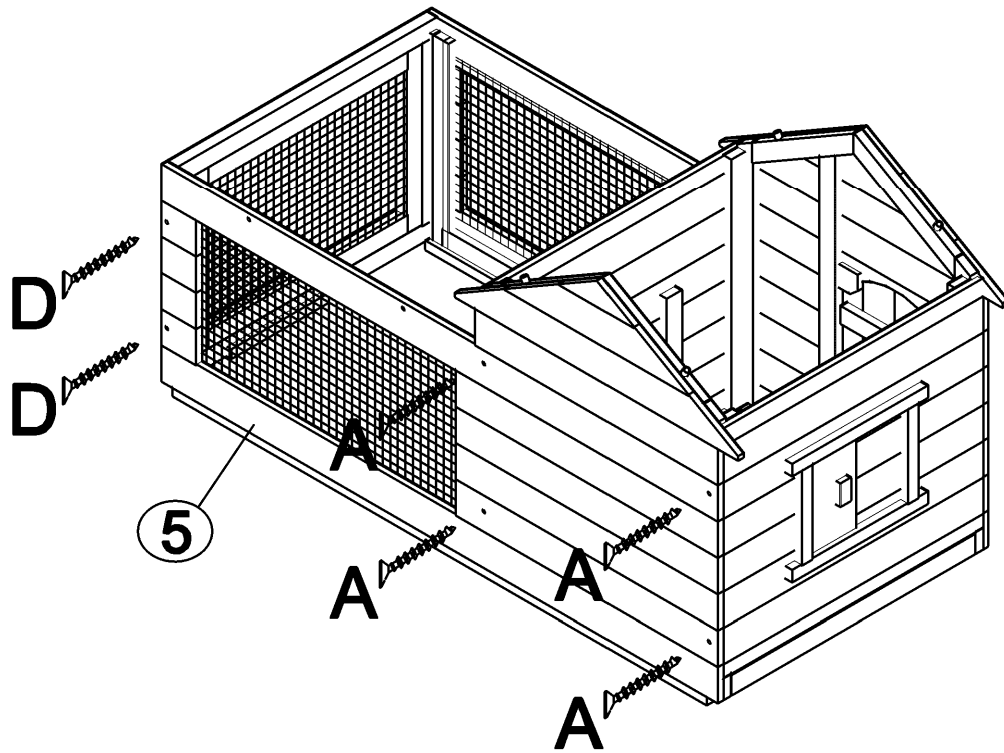


  
A 4PCS

  
D 2PCS

# Assembly Steps

3

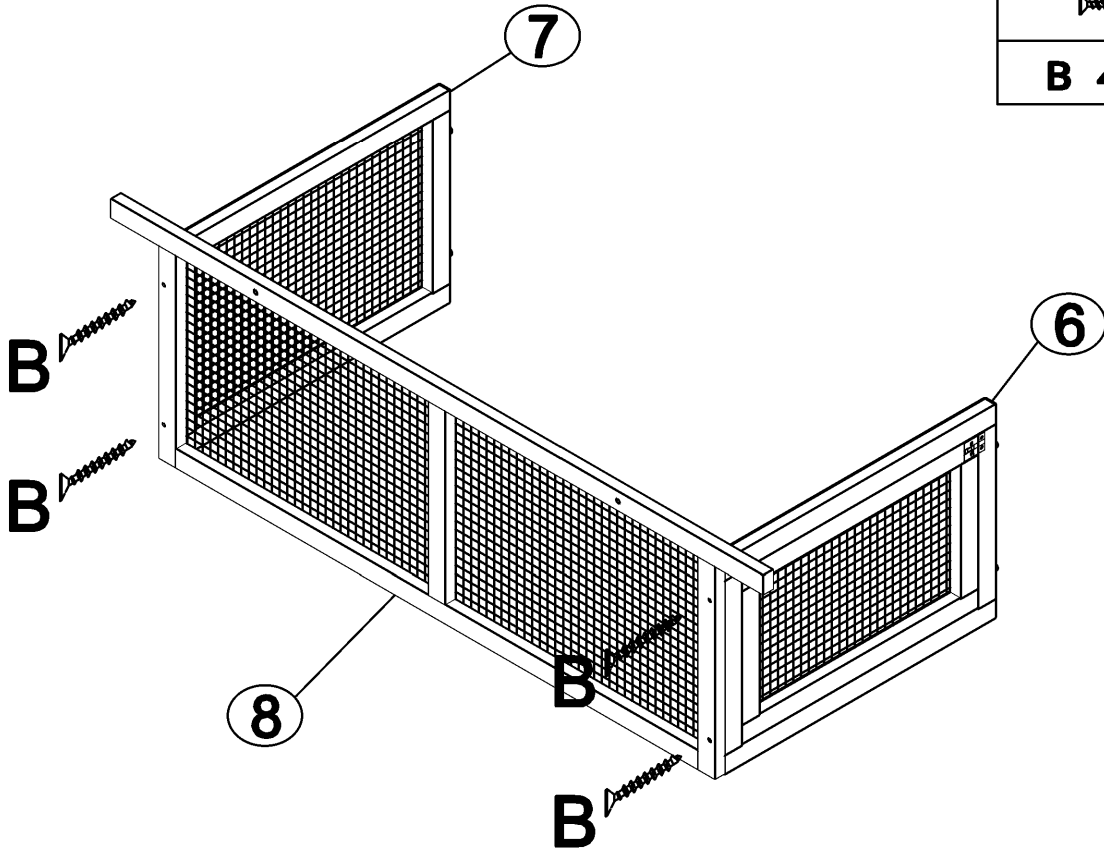


A 4PCS



D 2PCS

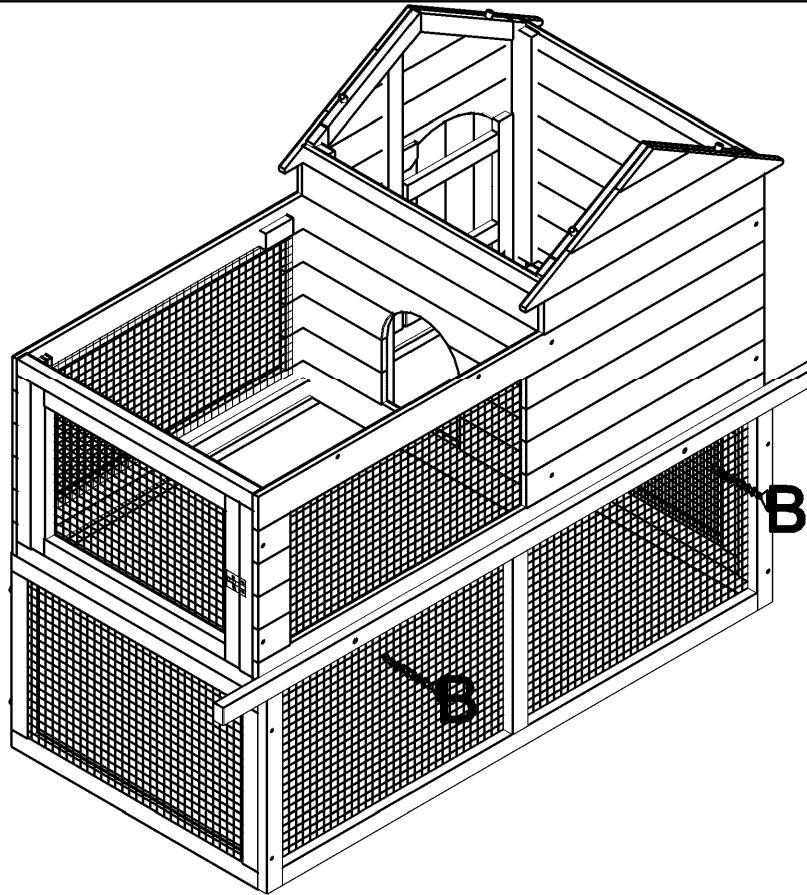
4



B 4PCS

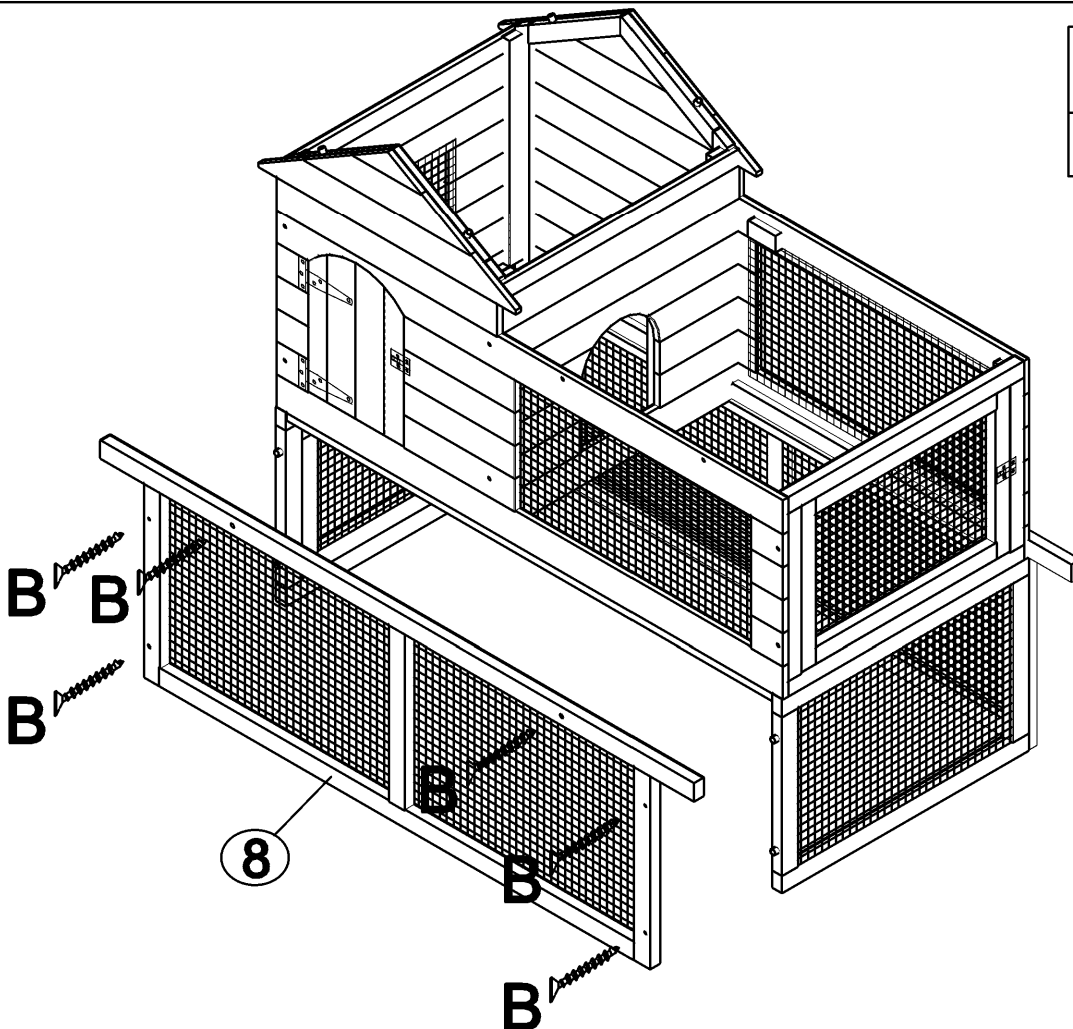
# Assembly Steps

5



B 2PCS

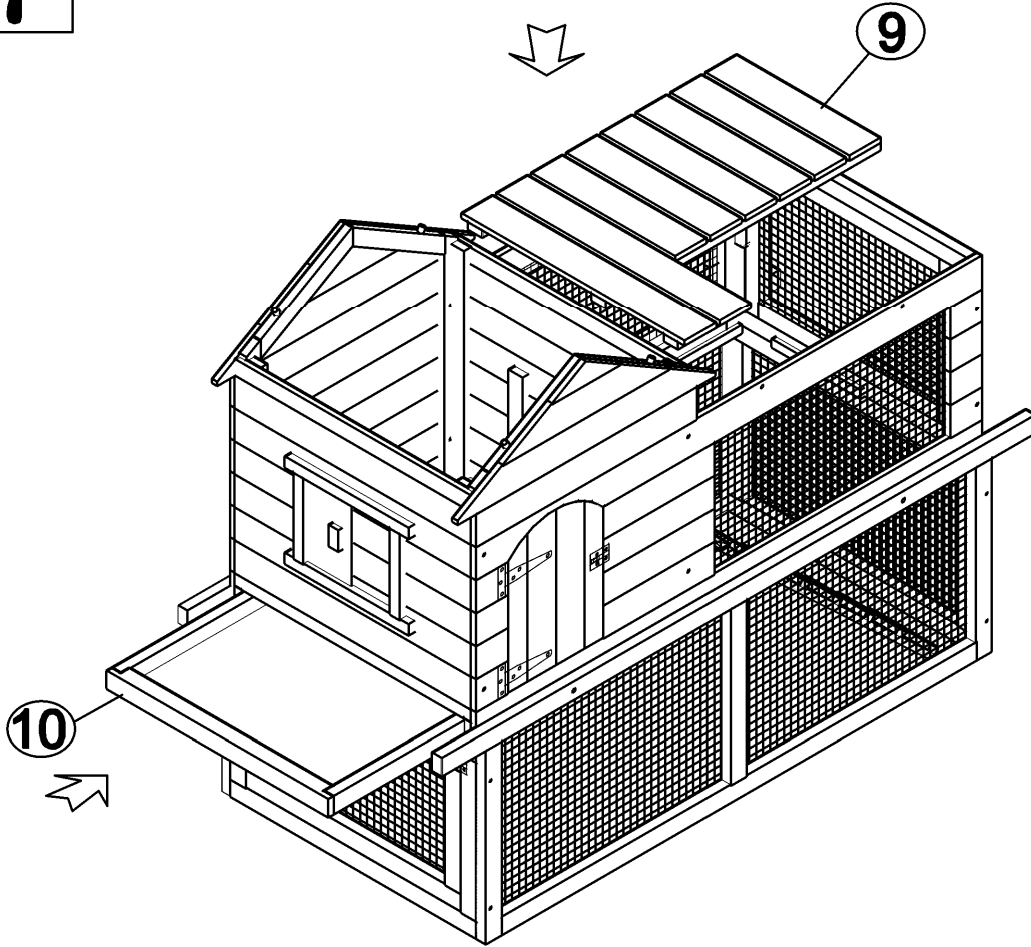
6



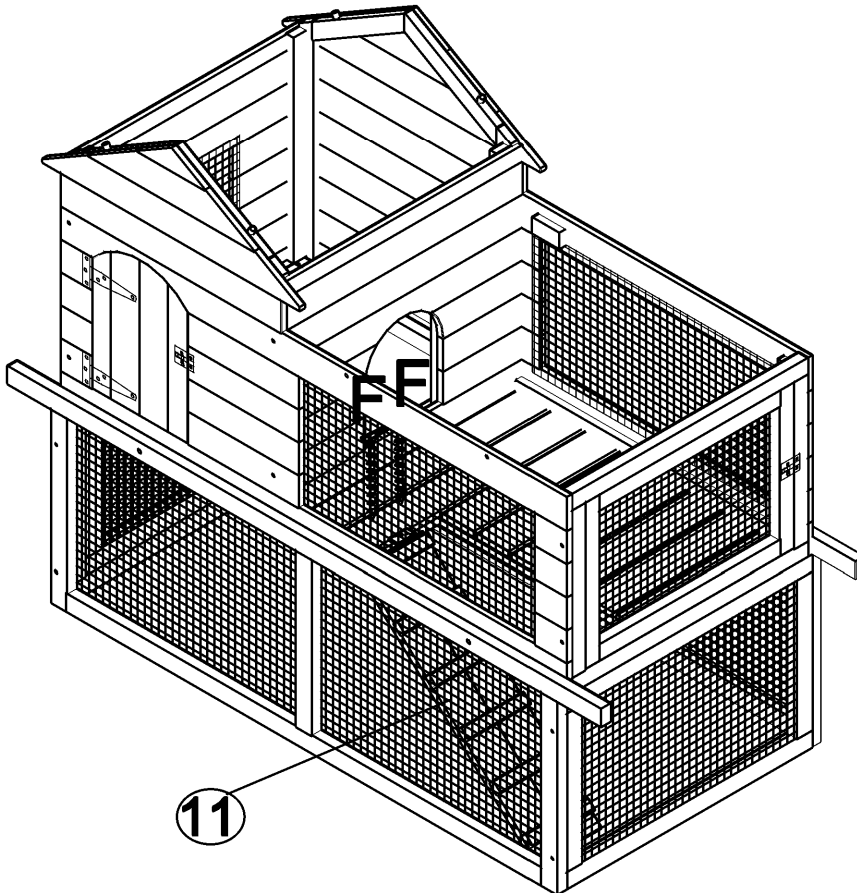
B 6PCS

# Assembly Steps

7



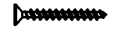
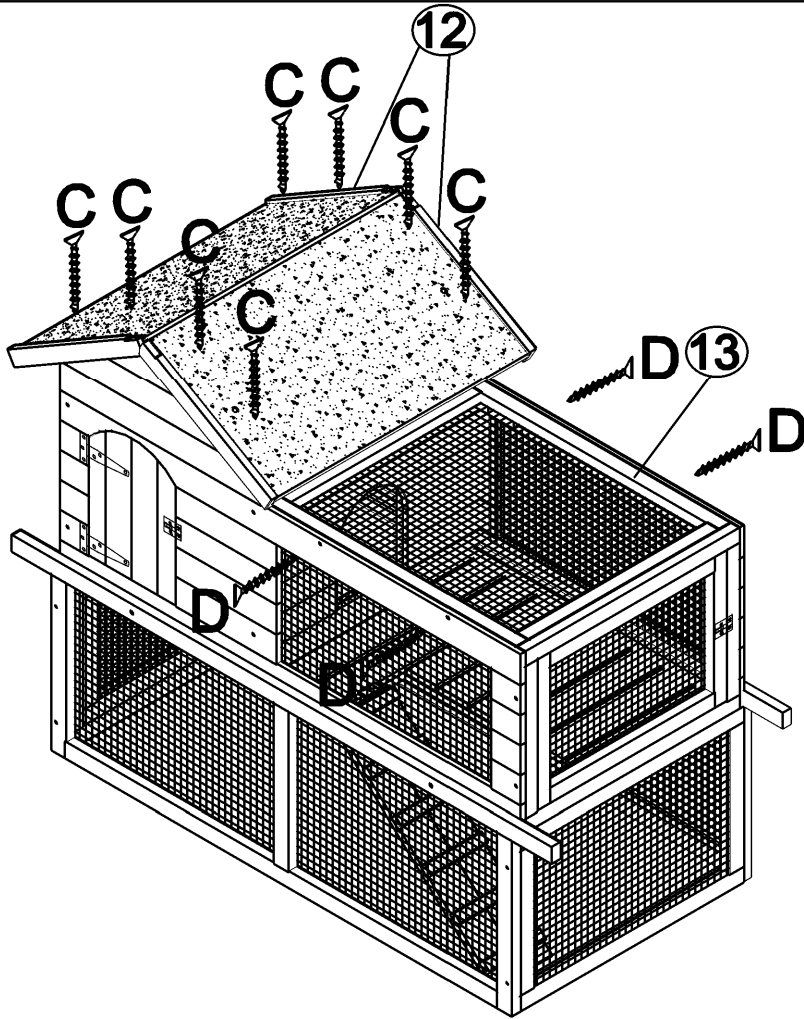
8



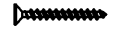
F 2PCS

# Assembly Steps

9

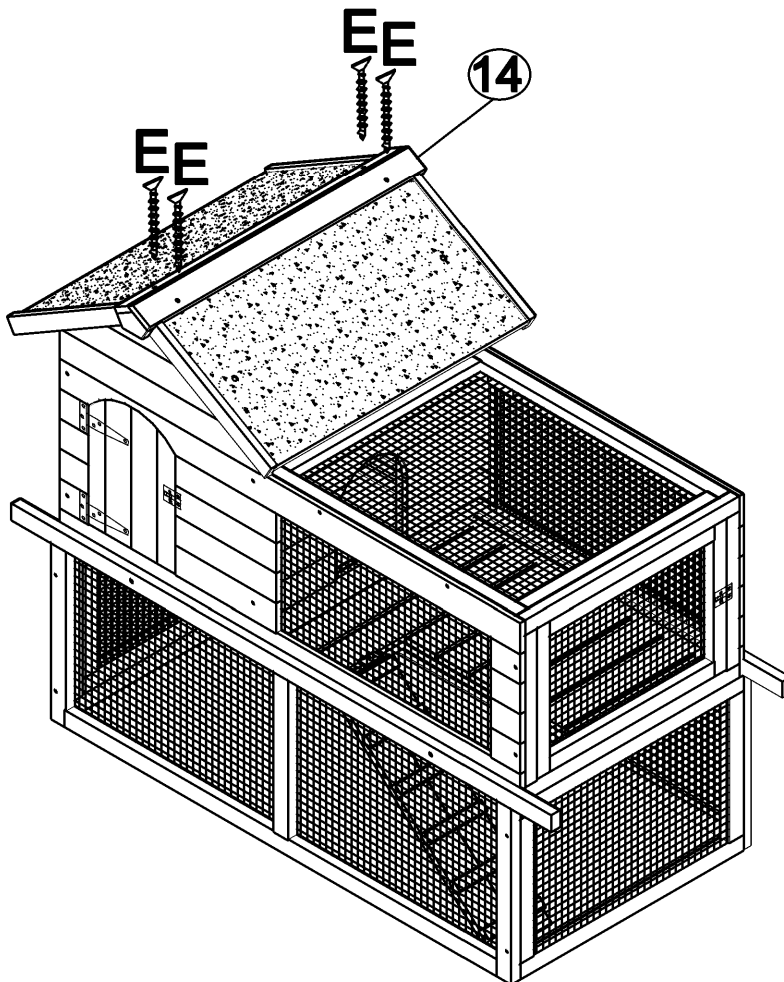


C 8PCS



D 4PCS

10



E 4PCS