











# Assembly Instructions

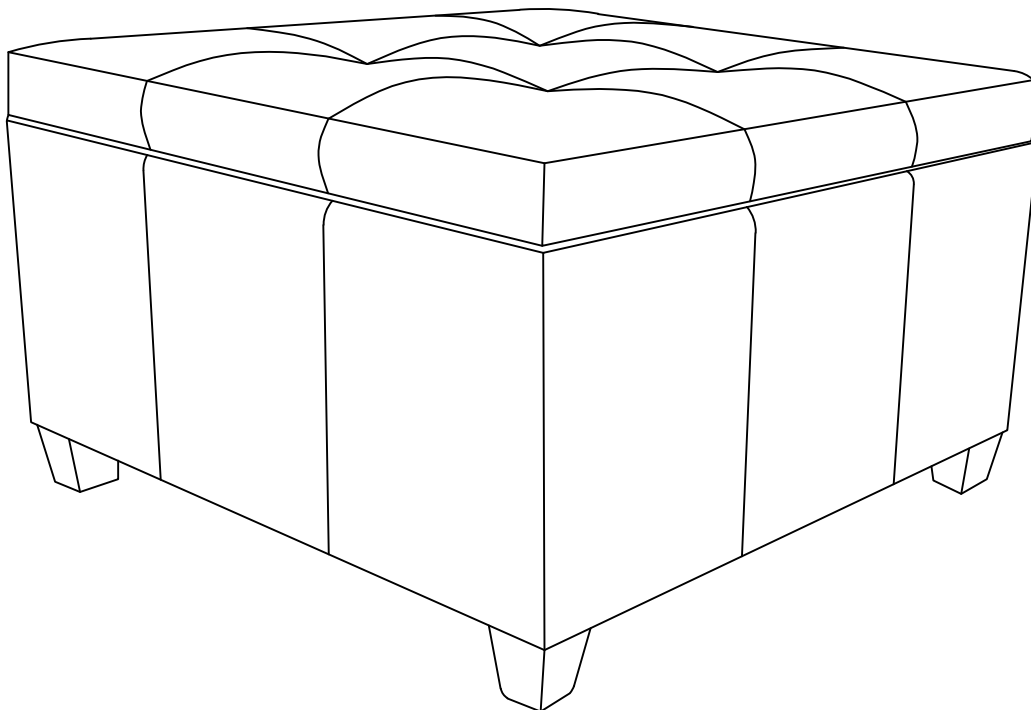
Caution: You must read this before you proceed.

## Care & Maintenance

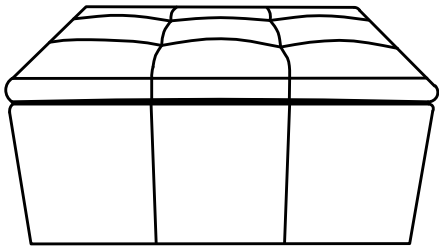
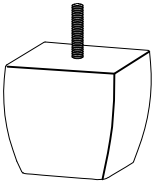
- ⊘  ● Do not put hot items directly on furniture surface
  - ⊘  ● Do not clean furniture with harsh cleansers or polish.
  - ⊘  ● Do not place furniture under direct sunlight.
  - ⊘  ● Do not place furniture near heating or cooling vents.
  - ⊘  ● Do not write on furniture without a padded barrier to protect the surface.
  - ⊘  ● Do not place furniture outside . For indoor use only .
  - ⊘  ● Not for commercial use. For residential use only .
  - ⊘  ● Stains may be removed with mild soap solution and damp cloth.
  - ⊘  ● Children should not climb or jump on the furniture.
- 
- ✓  ● Dust and pick-up spills using a clean, non-colored, lint-free cloth .

## Storage Ottoman

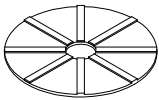
N767P360604



# Parts List For 1 Storage ottoman

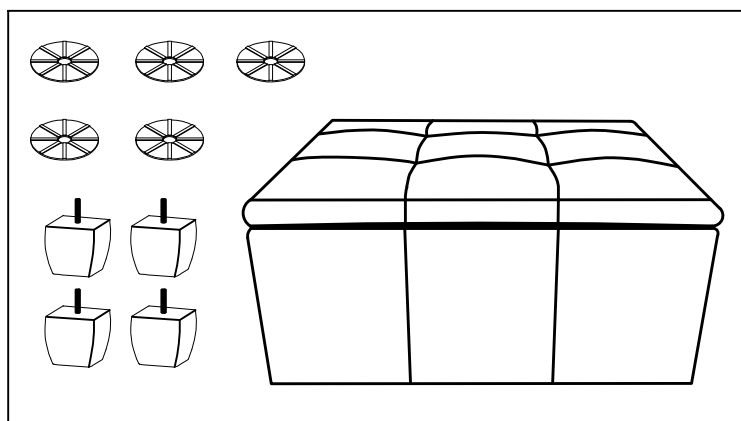
Label	Picture	Description	QTY
A		Ottoman	1
B		Wooden leg	4






# Hardware For 1 Storage ottoman

Label	Picture	Description	QTY
1		Washer Ring	5

# Assembly Preparation

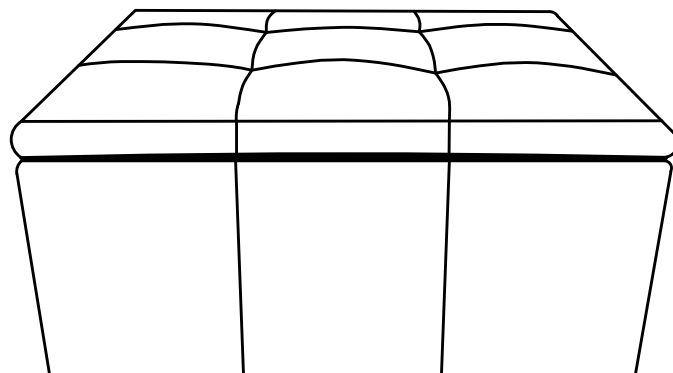
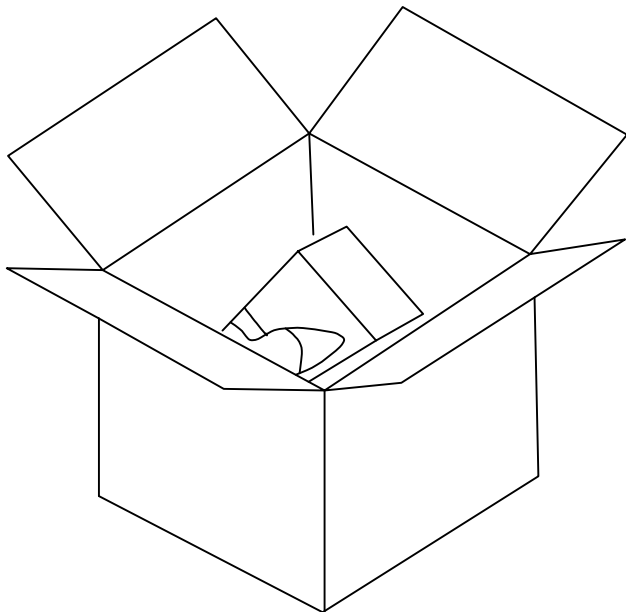
Before beginning  
Assembly:



-  • Read instructions, cover to cover-
-  • Have 2 adults on hand for assembly-
-  • Do not assemble on flooring or carpet-
-  • Assemble on a clean non-marring surface (packing foam)-
-  • Save all packaging until finished-

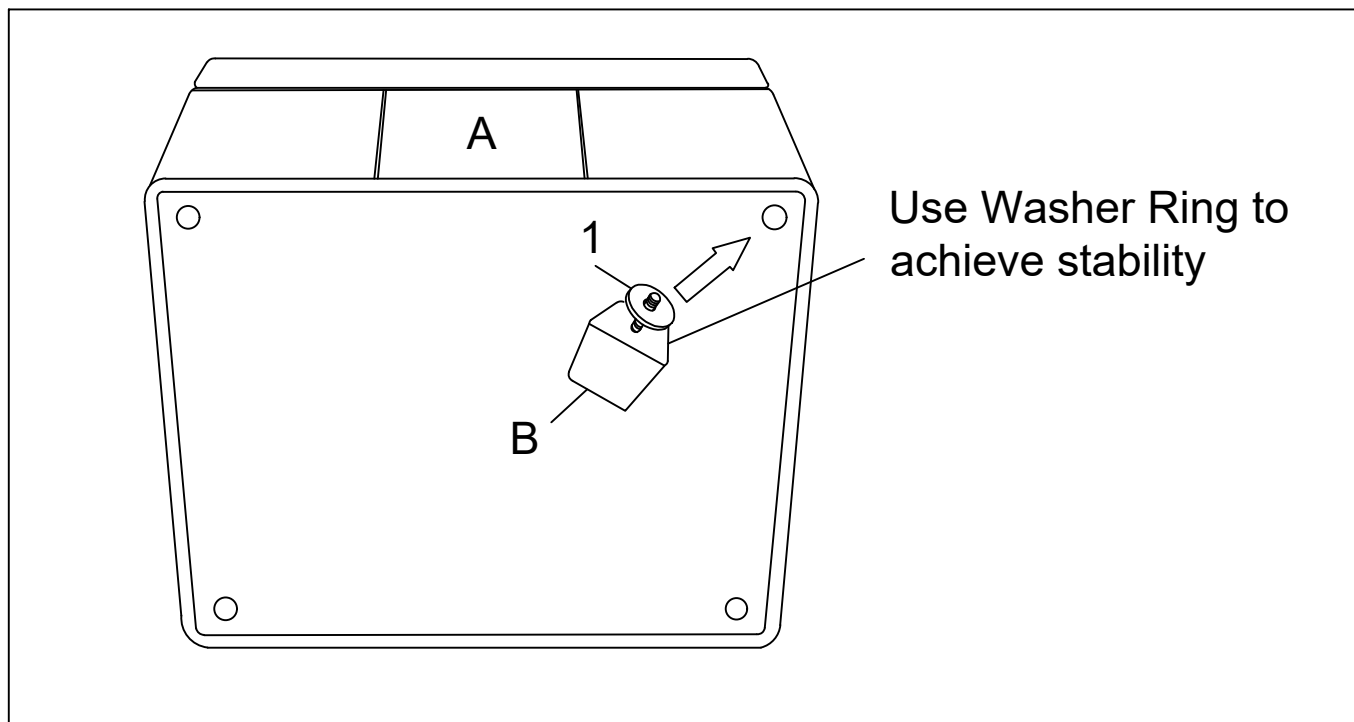
# Parts List For 1 Storage ottoman

## Step 1



Open the small carton in the storage compartment of the ottoman and remove the 4 wooden legs.

## Step 2



Position the Ottoman on its back, as shown.

Attach the leg onto the ottoman by putting a washer (optional) on the threaded stem and then insert the threaded stem into the threaded hole at each corner of the bottom of the ottoman. Tighten by turning leg clockwise. Repeat the same step to install the other three legs. When assembling the legs, two slant-angled sides of wooden leg must be affixed to be inward facing. This is the same position for both the FRONT and BACK pair for both LEFT and RIGHT legs.