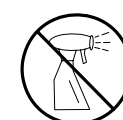


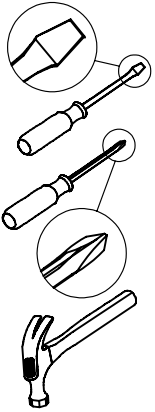
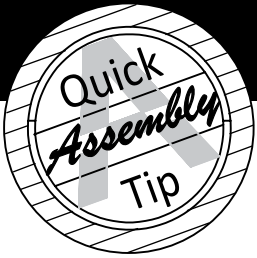
# Helpful Hints

PEOPLE NEEDED FOR ASSEMBLY: **1-2**  
ESTIMATED ASSEMBLY TIME: **1 HOUR**

- Open your item in the area you plan to keep it for less heavy lifting
- Identify, sort and count the parts before attempting assembly
- Compression dowels are tapped in with a hammer
- Slides are labeled with a R (right) and L (left) for proper placement
- Make sure to always face the point on the top of the Cam Lock towards the outer edge
- Use all the nails provided for the back panel and spread them out equally
- Back Panel must be used to make sure your unit is sturdy
- Do NOT use harsh chemicals or abrasive cleaners on this item
- Never push, pull, or drag your furniture



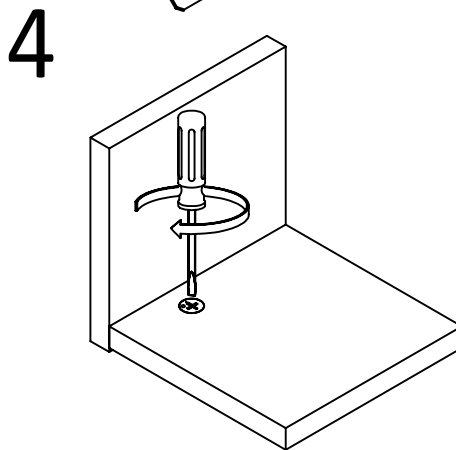
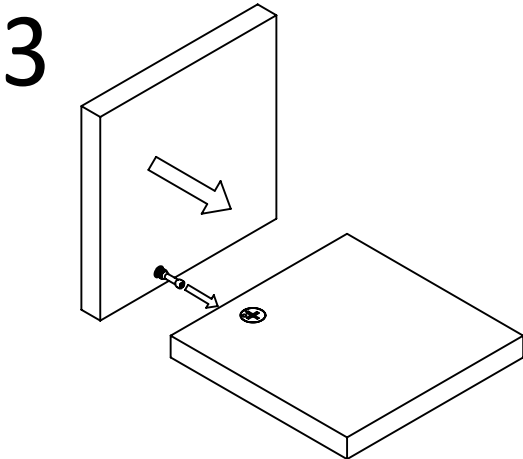
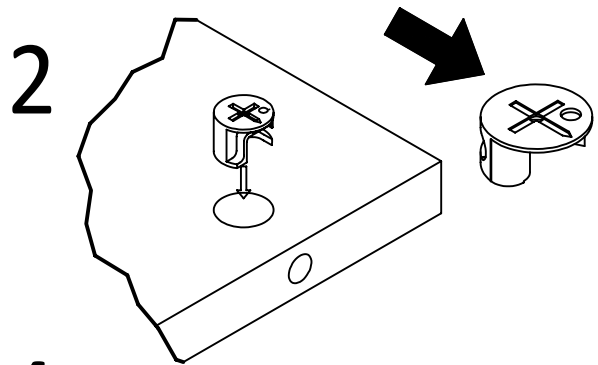
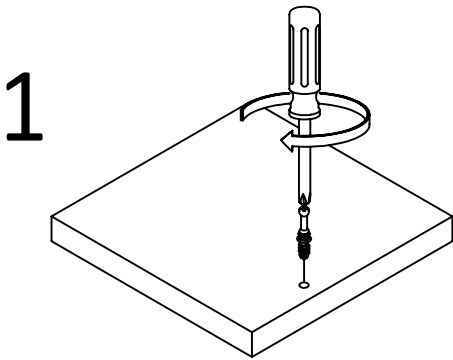
# Before You Start



- ✓ Read through each step carefully and follow the proper order
- ✓ Separate and count all your parts and hardware
- ✓ Give yourself enough room for the assembly process
- ✓ Have the following tools: Flat Head Screwdriver, #2 Phillips Head Screwdriver and Hammer
- ✓ Caution: If using a power drill or power screwdriver for screwing, please be aware to slow down and stop when screw is tight. Failure to do so may result in stripping the screw.

# Cam Lock Fastening System

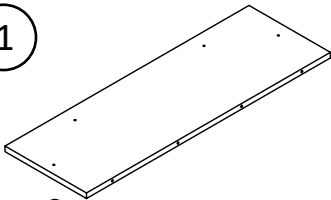
This Cam Lock Fastening System will be used throughout the assembly process.



# Board Identification

Not actual size

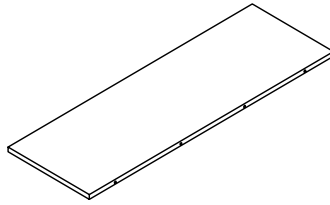
1



x2

SIDE TOP

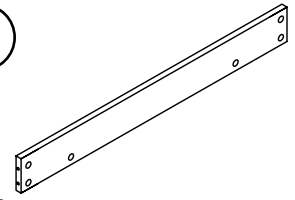
2



x1

MIDDLE TOP

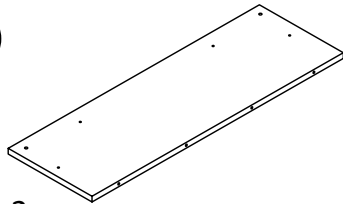
3



x4

UPPER SUPPORT PANEL

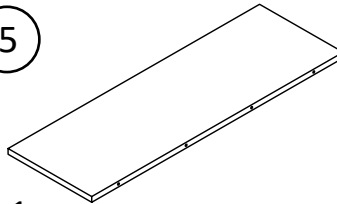
4



x2

SIDE BOTTOM

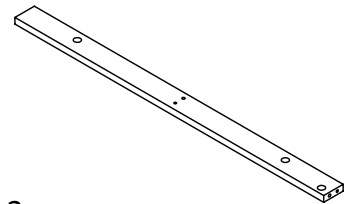
5



x1

MIDDLE BOTTOM

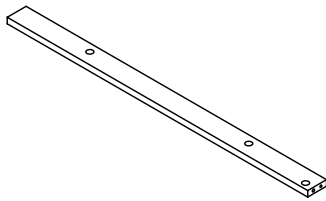
6



x2

LOWER SUPPORT PANEL

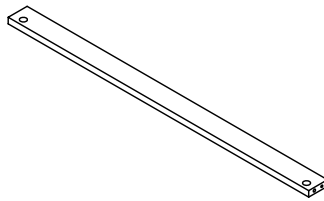
7



x2

LOWER SUPPORT PANEL

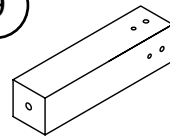
8



x1

BOTTOM SUPPORT PANEL

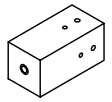
9



x4

LEG

10



x4

FOOT

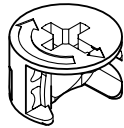
# Part List

Actual Size



x42

Cam Bolt  
M6 X 23



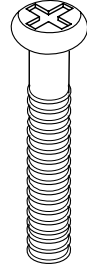
x42

Cam Lock  
15-12



x26

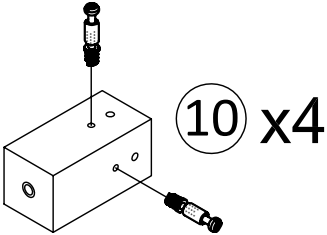
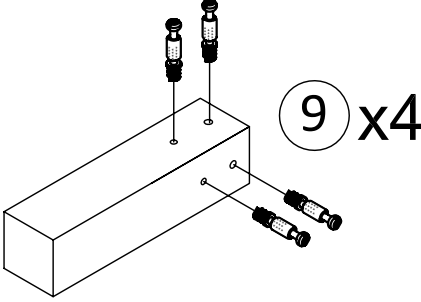
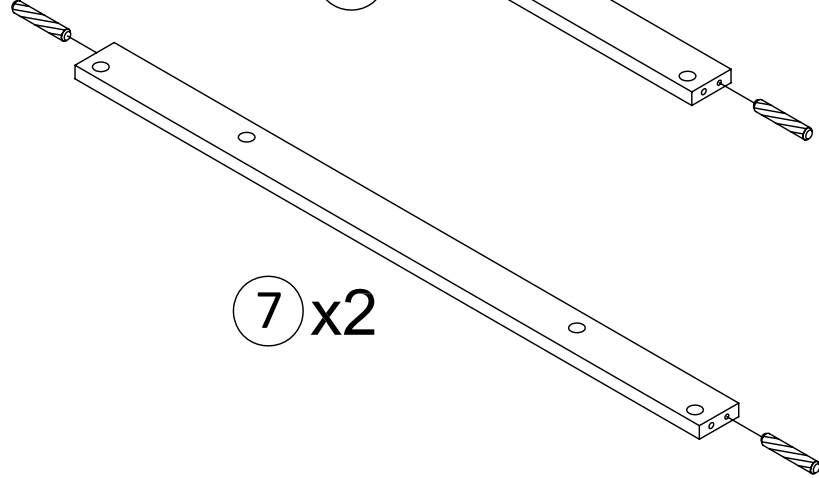
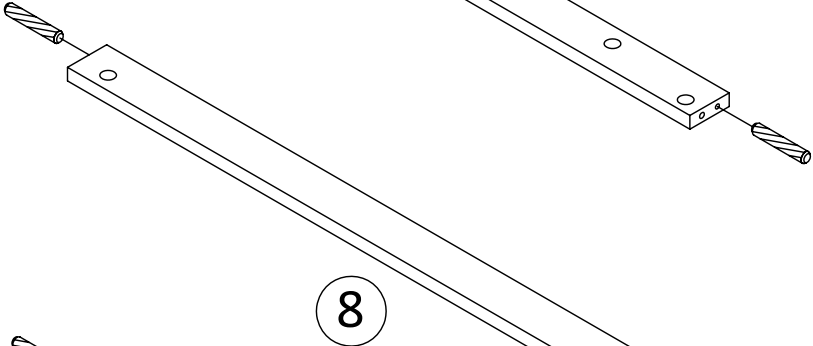
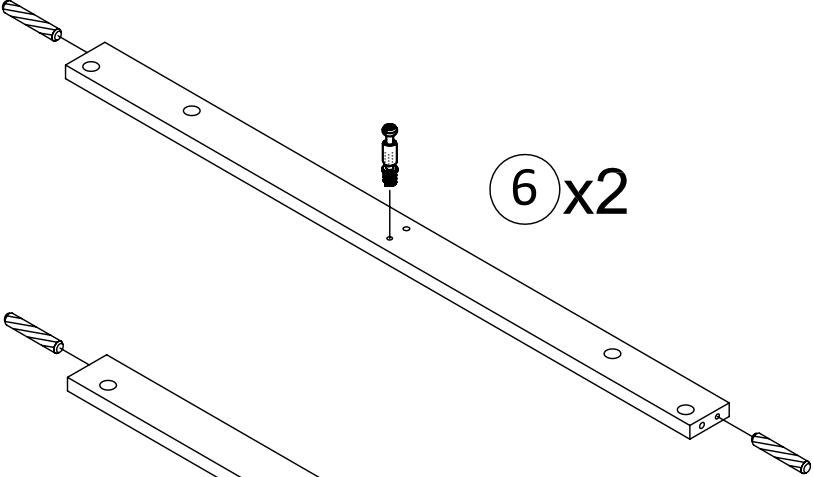
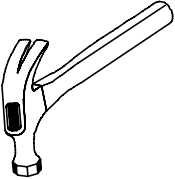
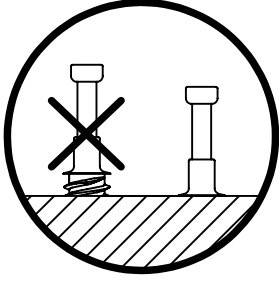
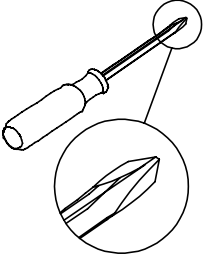
DOWEL  
M6 X 30



x4

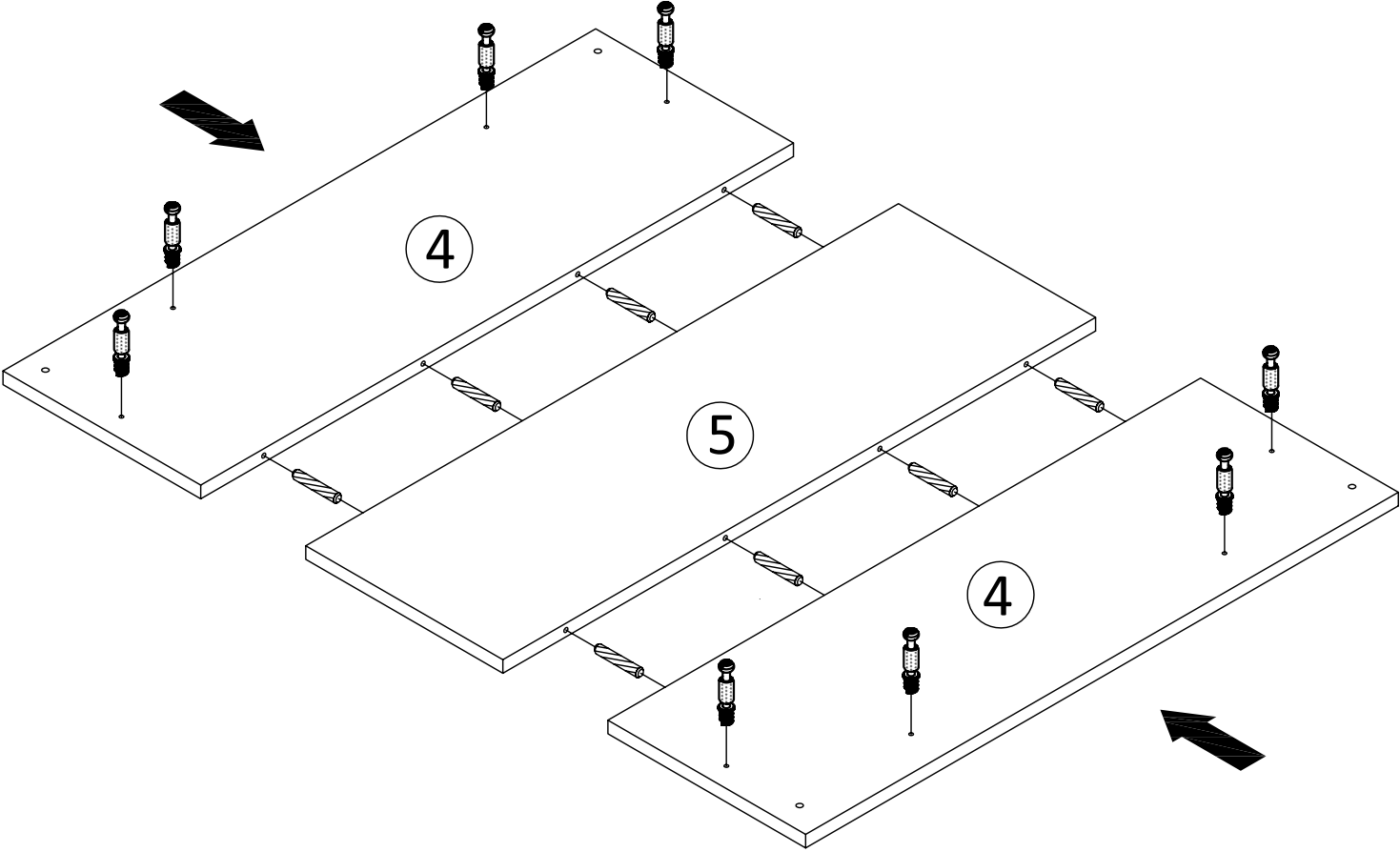
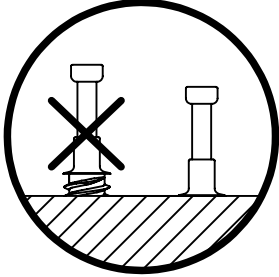
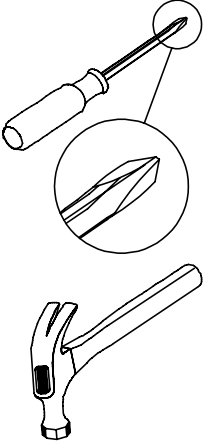
BOLT  
M6 X 70

# Step 1



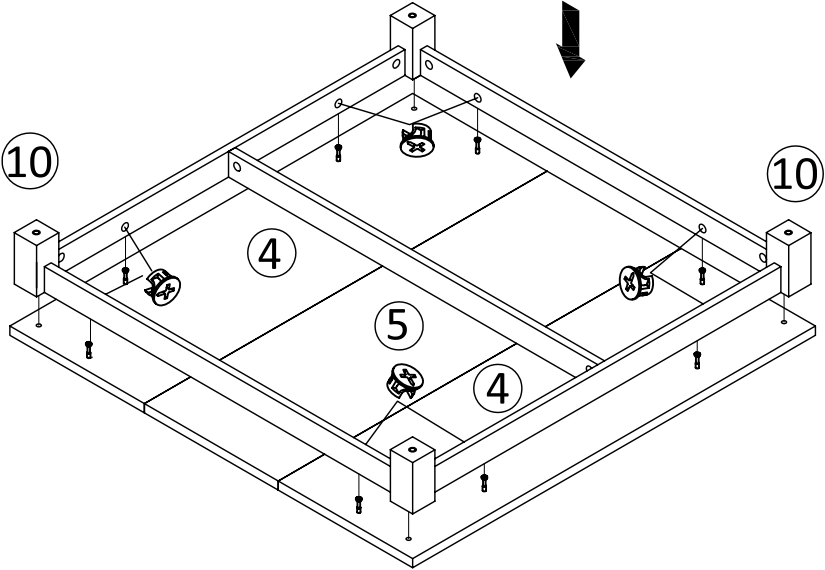
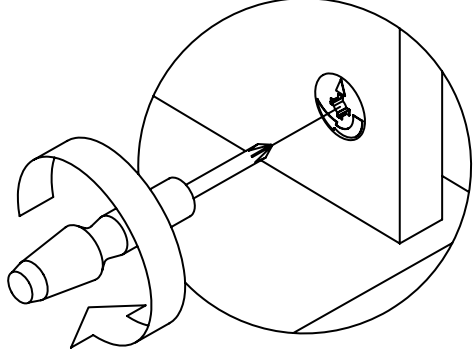
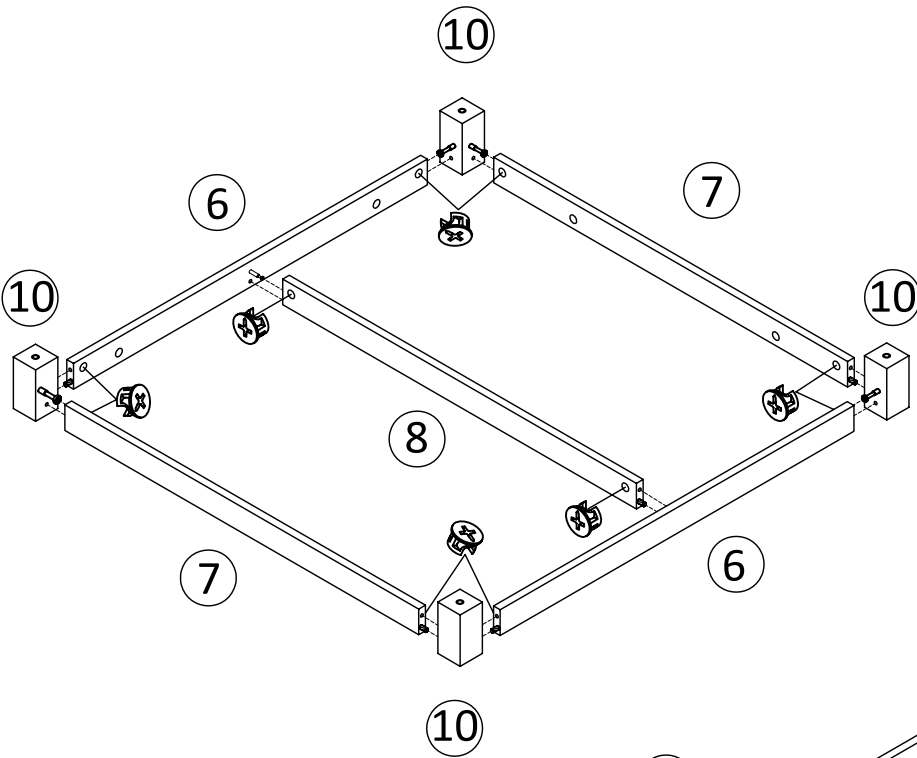
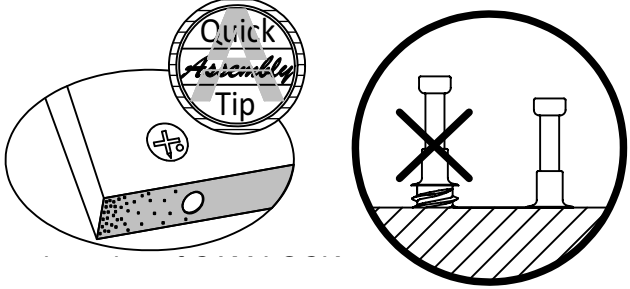
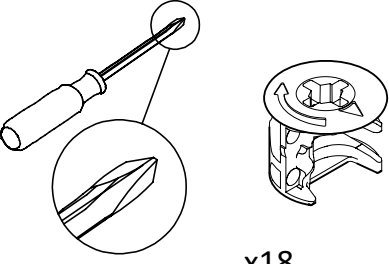
\* raw edges are shaded

# Step 2



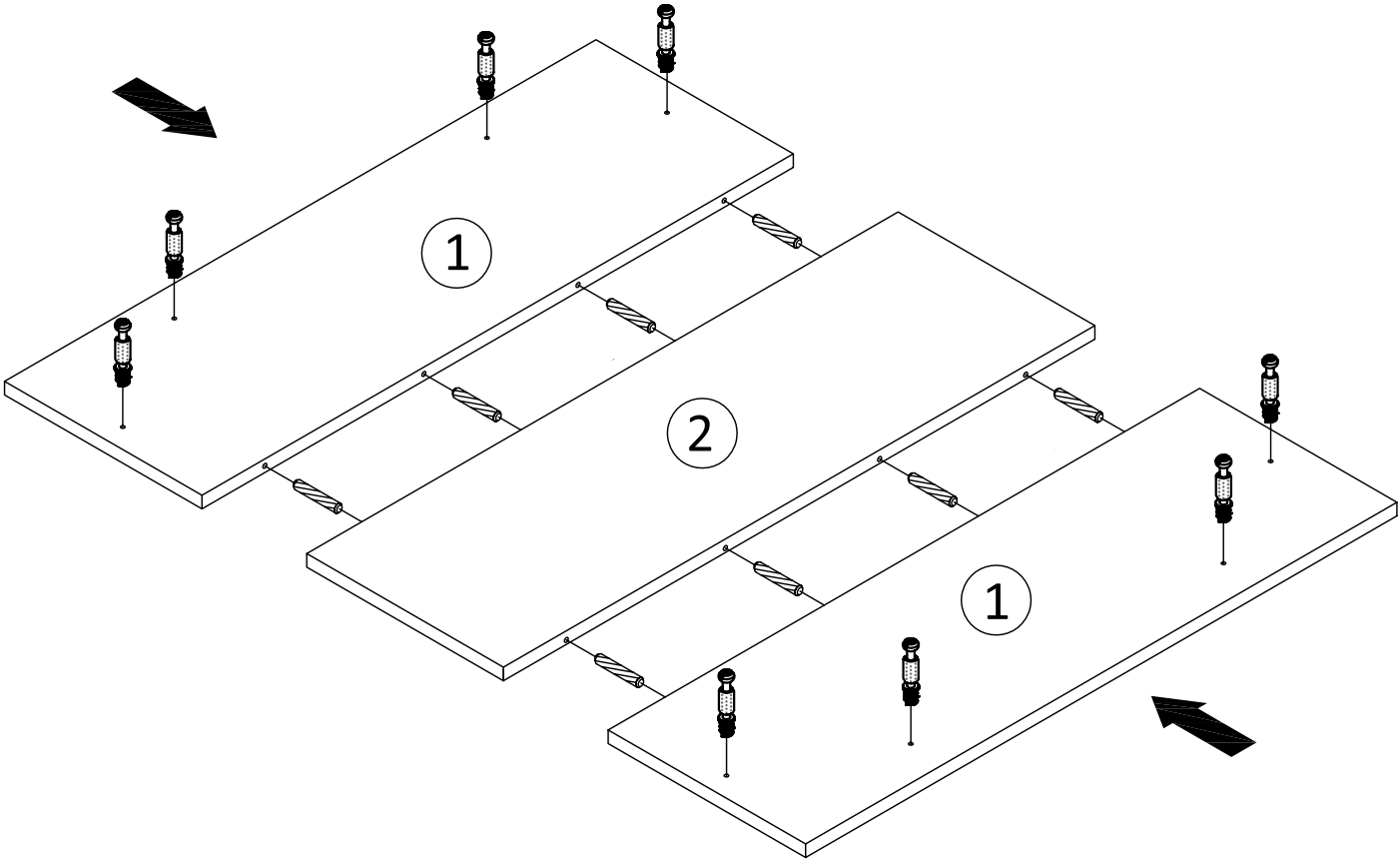
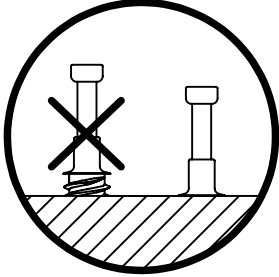
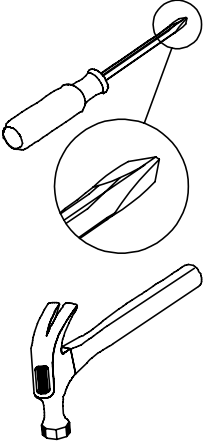
\* raw edges are shaded

# Step 3



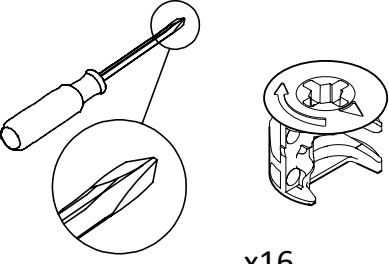
\* raw edges are shaded

# Step 4

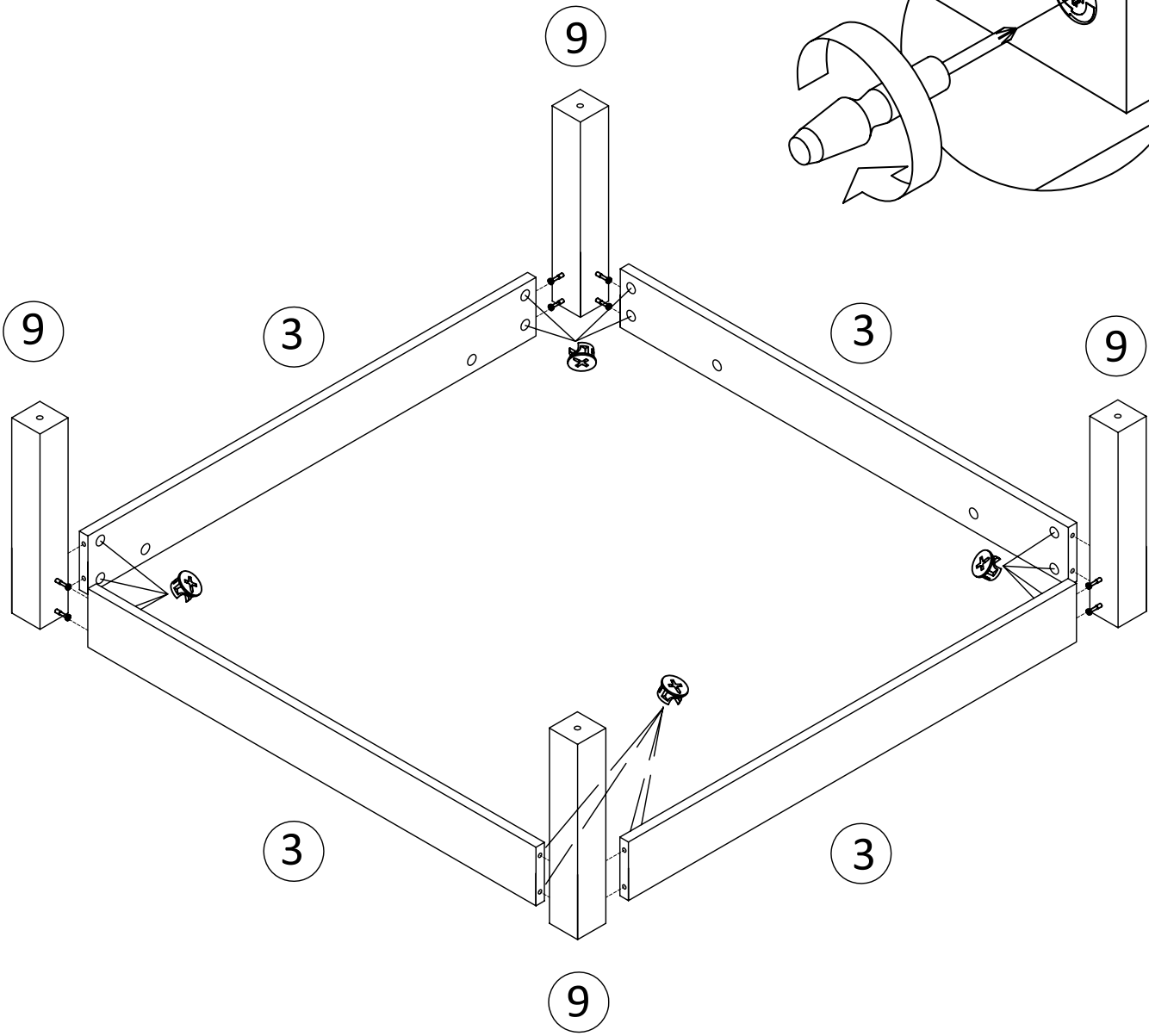
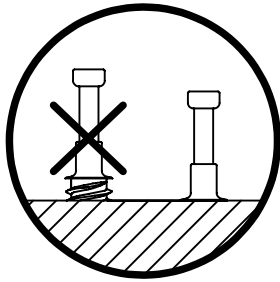
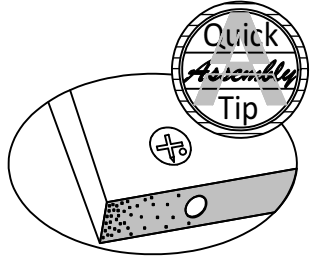


\* raw edges are shaded

# Step 5

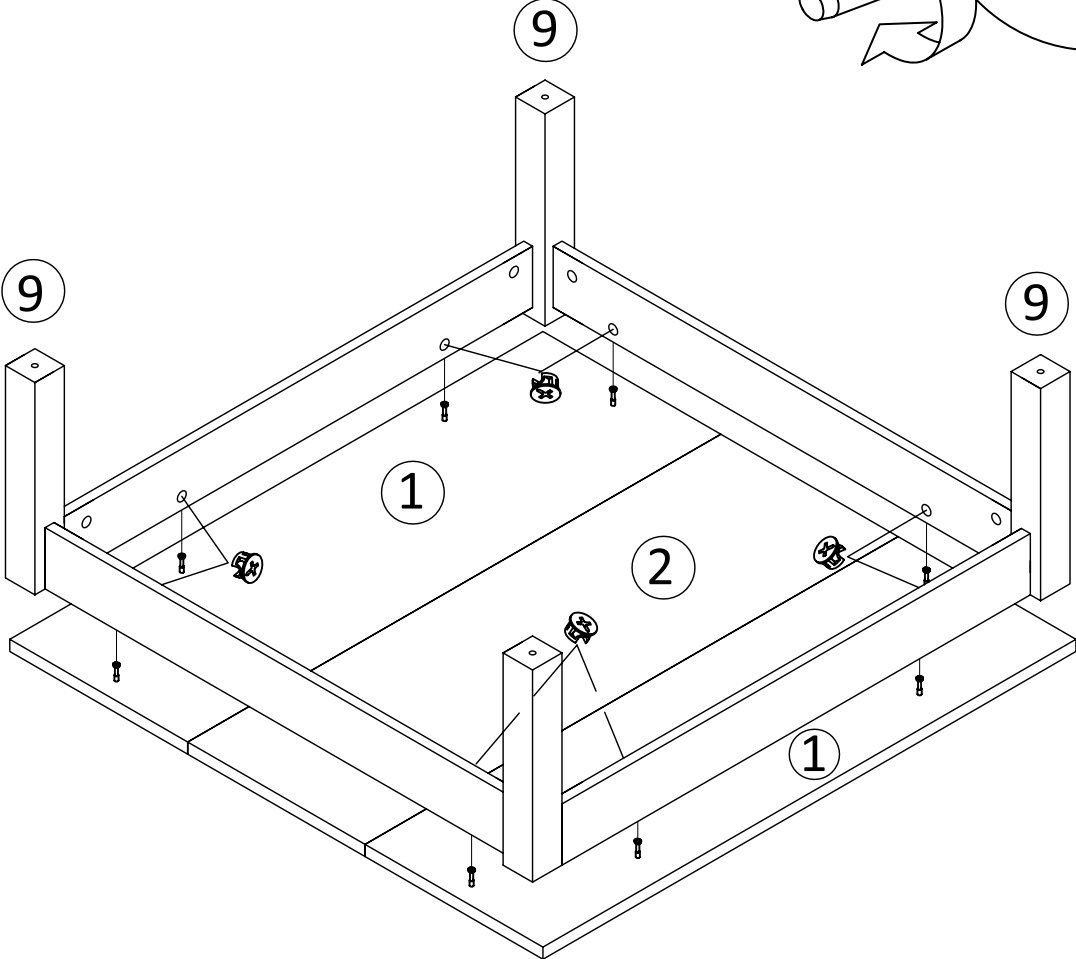
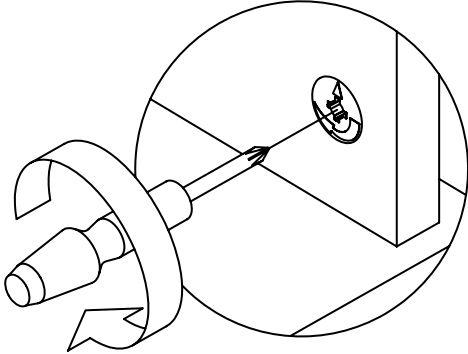
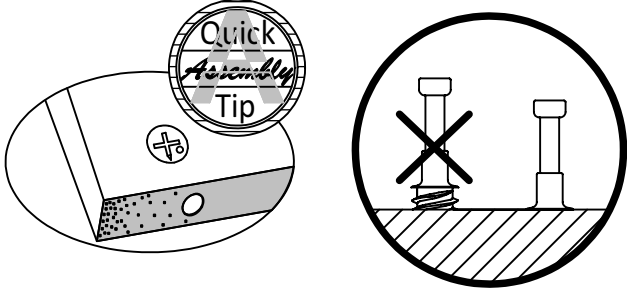
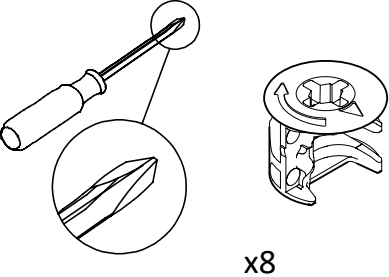


x16



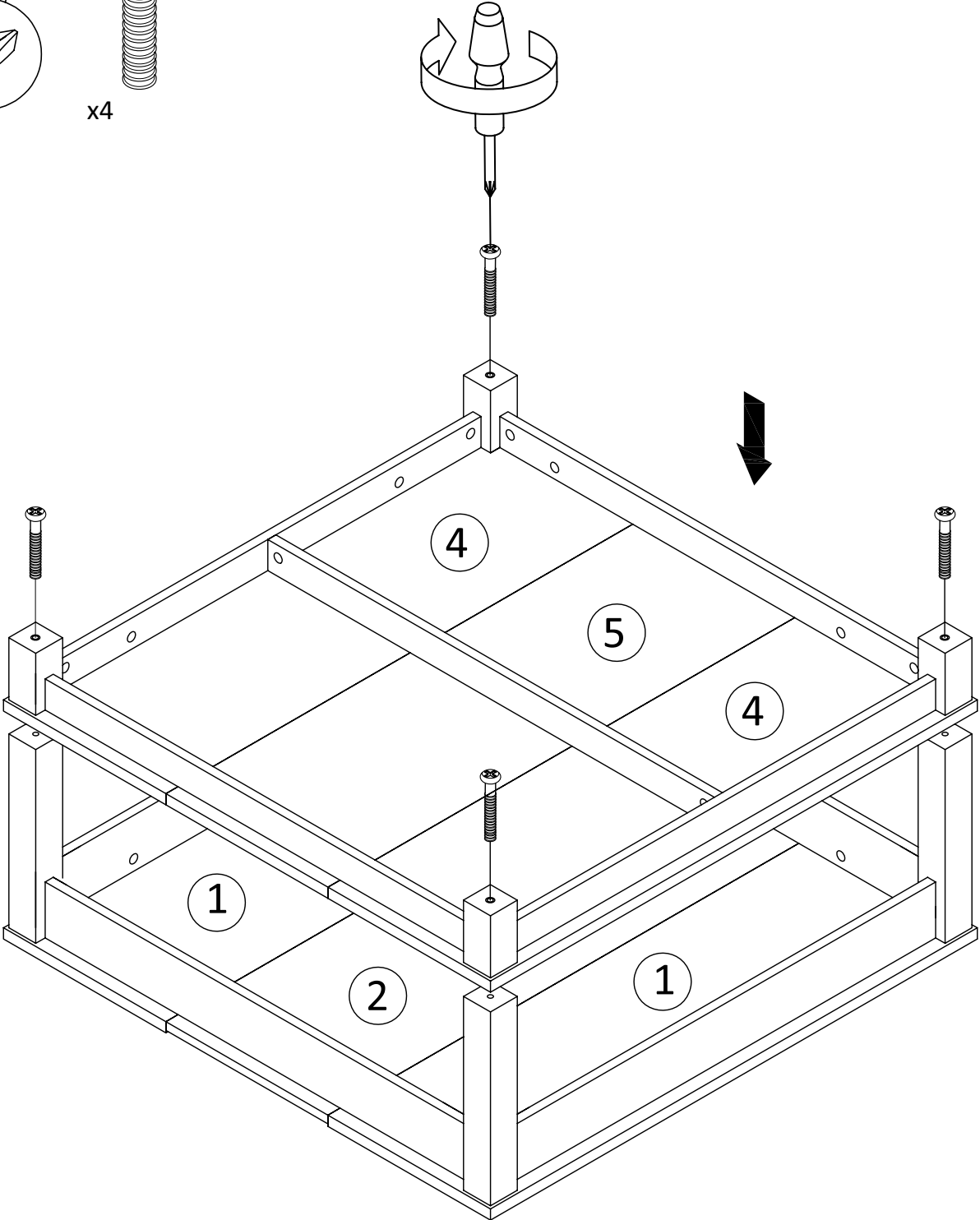
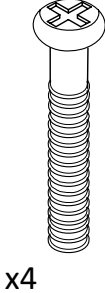
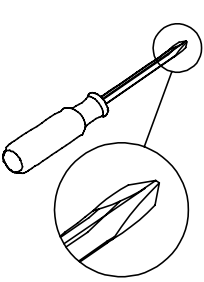
\* raw edges are shaded

# Step 6



\* raw edges are shaded

# Step 7

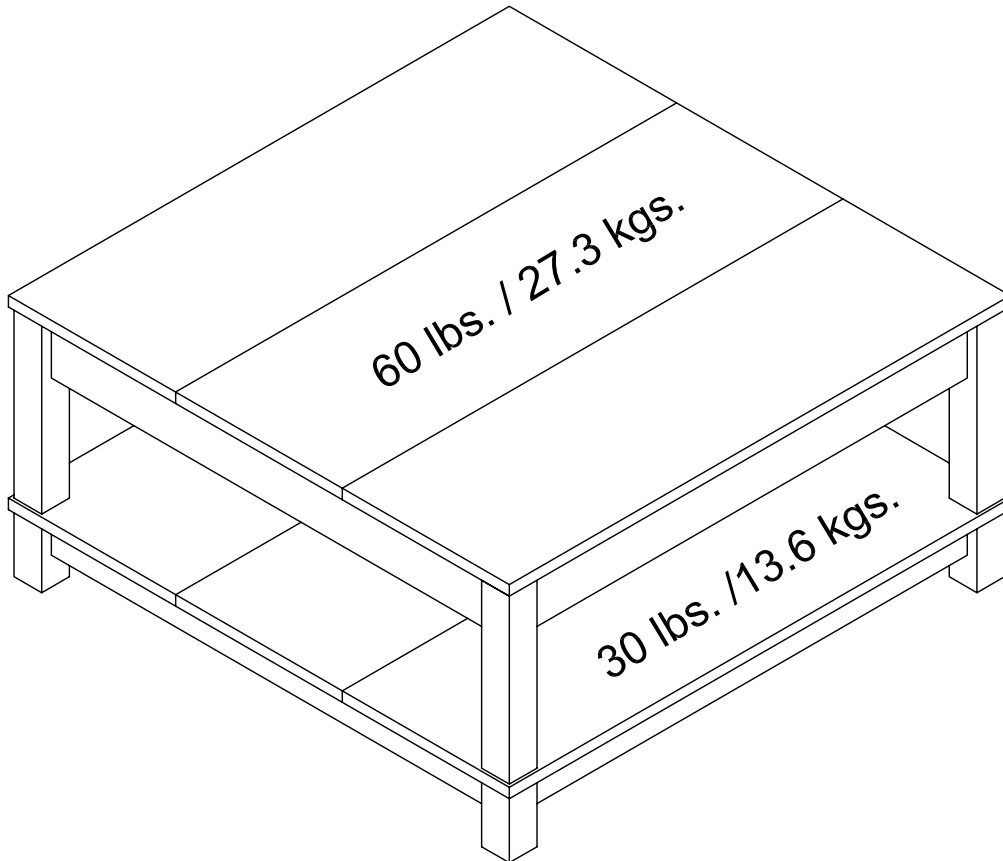


\* raw edges are shaded

# Maximum Loads

---

This unit has been designed to support the maximum loads shown. Exceeding these load limits could cause sagging, instability, product collapse, and/or serious injury.



**Warning: Risk of serious injury to person - do not place a television on this furniture. This furniture is not approved for use with a television.**

---