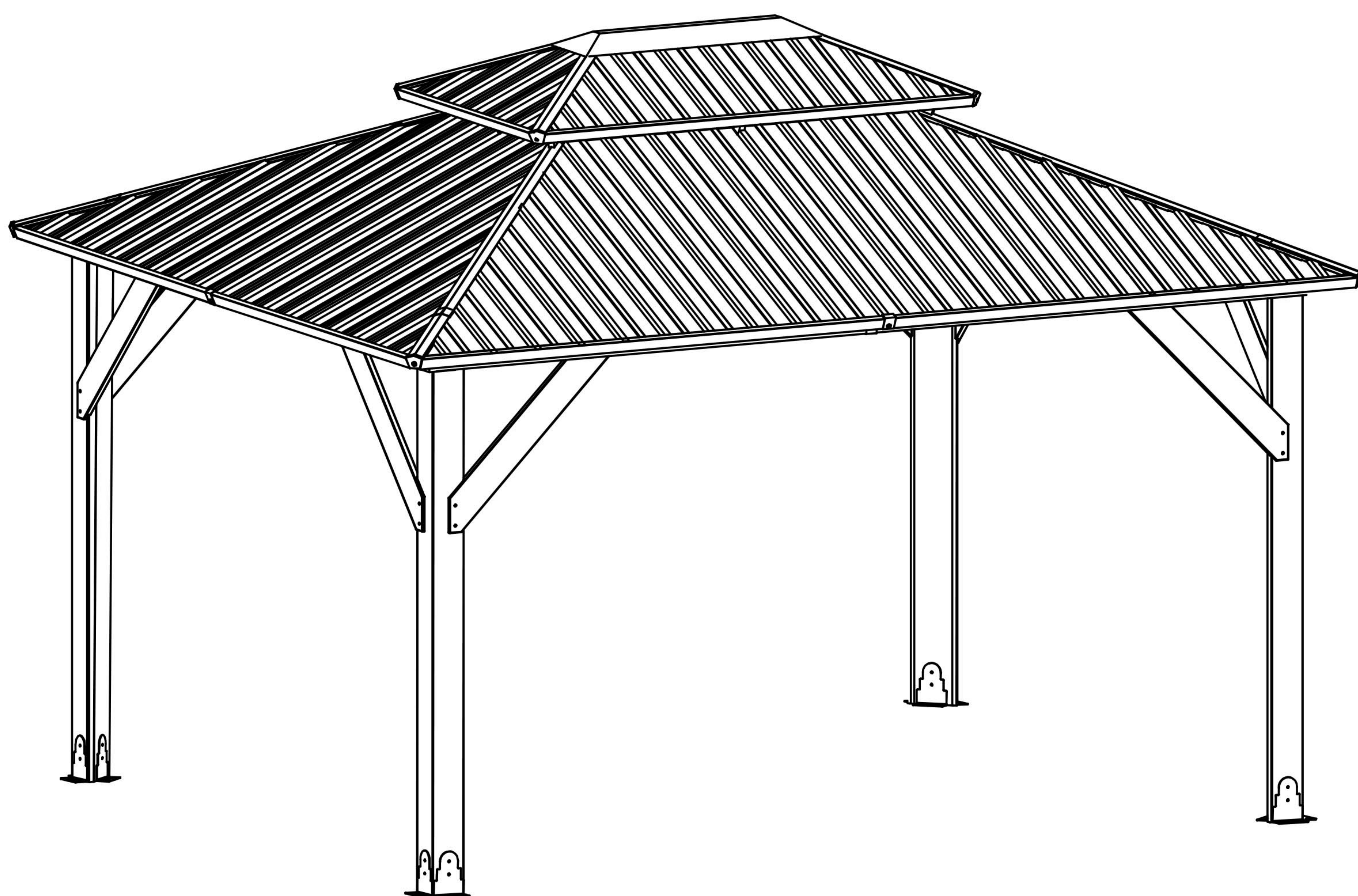


Metal Roof
Cedar Wooden Gazebo 13X15FT

SKU:C-MTSJY24-G010-1
C-MTSJY24-G010-2
CM-MTSJY24-G010-3
C-MTSJY24-G010-4
C-MTSJY24-G010-5

ASSEMBLY INSTRUCTIONS



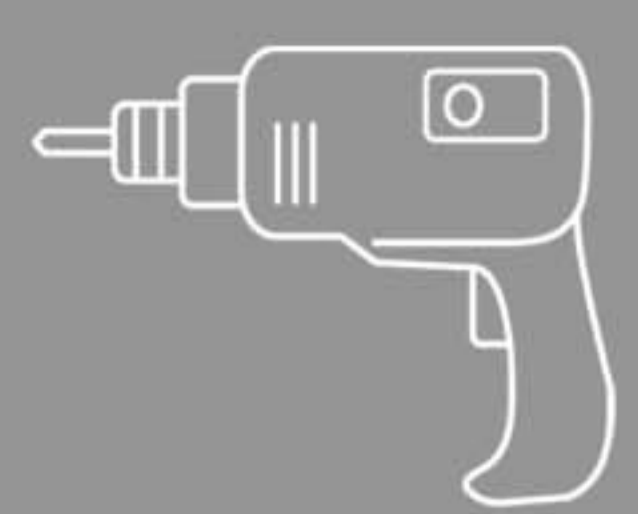
Please check the number of parts in the following accessory catalogue when unpacking. We have sent you more small parts for spare. If there is any missing or any questions about the installation. Please feel free to contact us. We will reply within 24 hours.



E-mail: cs.helper01@gmail.com

TOOLS RECOMMENDED

*NOTE: The recommended tools are not included in boxes and need to be prepared by yourself.



DRILL



RUBBER Mallet



STEPLADDER
(6.5Ft Or More)



SAFETY HAT



GLOVES



SAFETY GOGGLES

ATTENTIONS



Since it is easy to lose many small accessories during the installation, please collect all the screw accessories before the assembly is completed



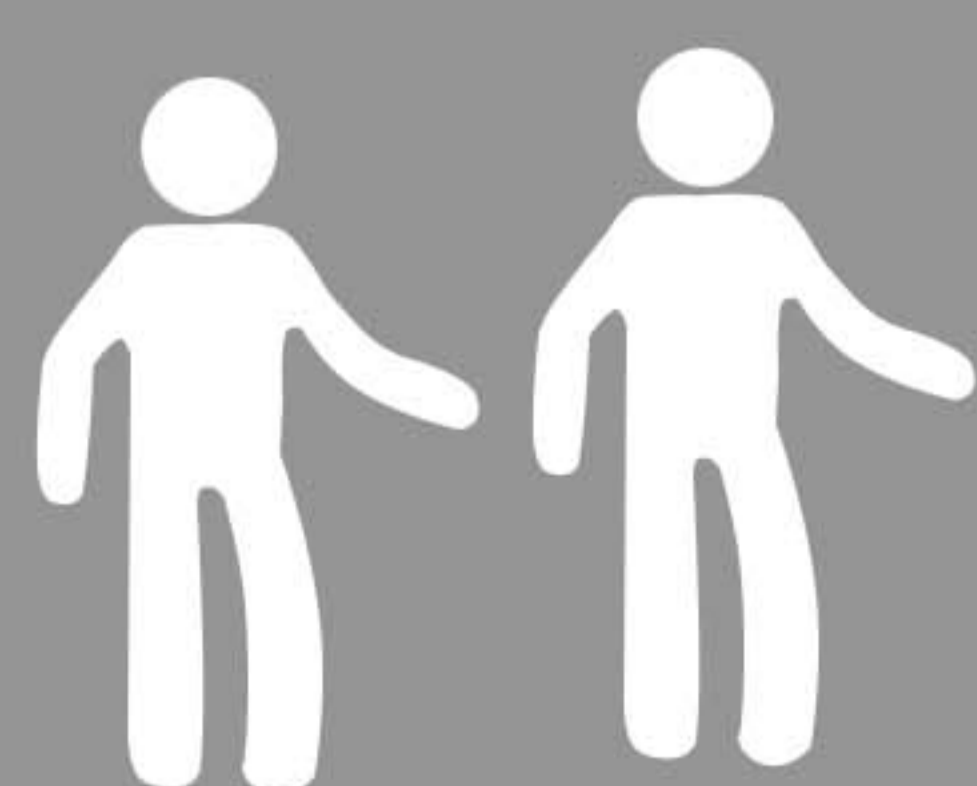
To better align the screws for practical situations, do not fully tighten screws initially



Please reinforced the Gazebo and do not use in heavy winds or inclement weather



Make sure all screws are tightened before use and check all screws, buckles and straps every 90 days



Two or more people are required for assembly



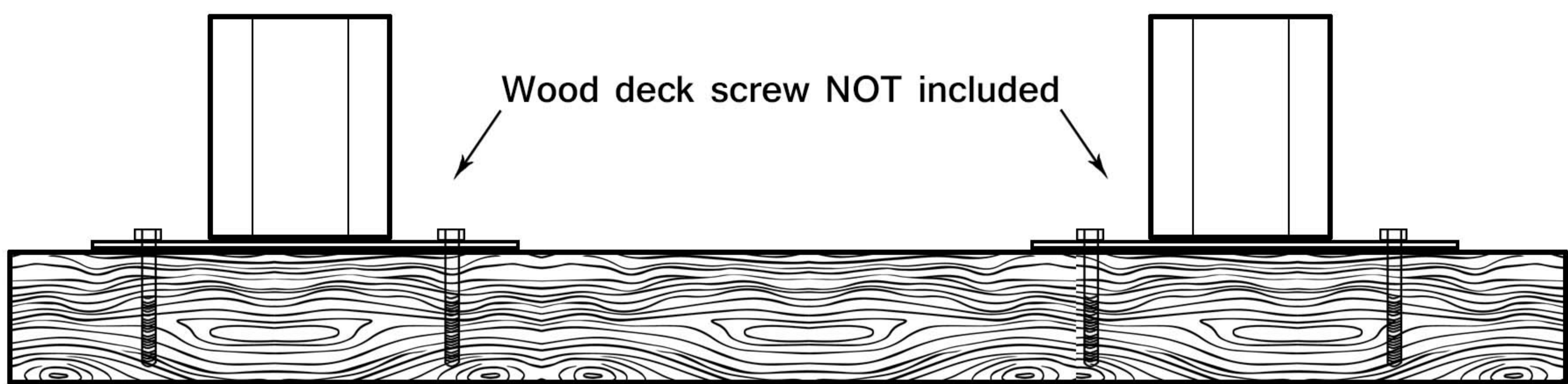
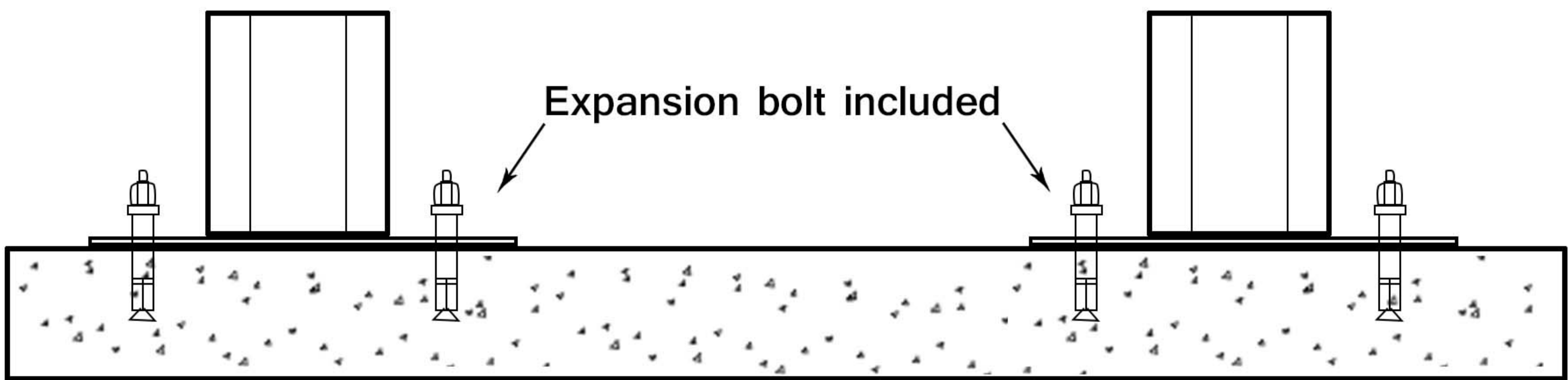
Please clear the snow off the roof in time for the heavy snowfall and do not use it

Please take care of the screws and contact the after-sales service if there is any problem with the installation or parts.

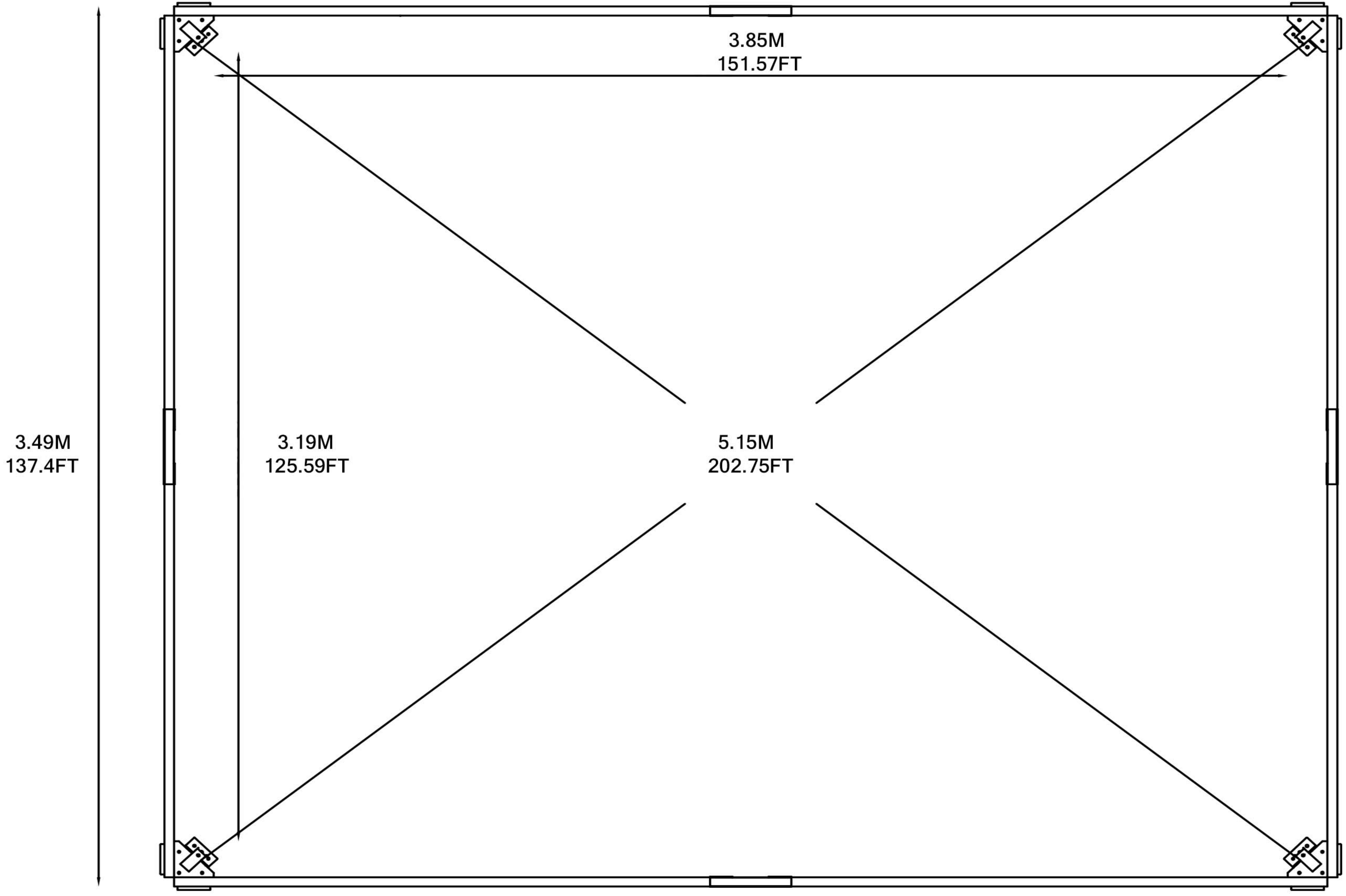


Permanent Installation Examples

Our supporting expansion screws can only be used for cement floors, customers need to bring their own special screws if they are used for wood floors



4.15M
163.38FT

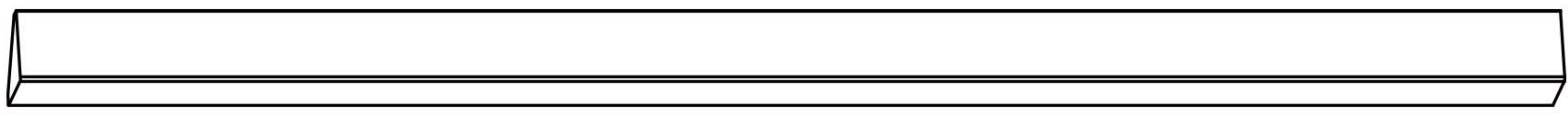


Please take care of the screws and contact the after-sales service if there is any problem with the installation or parts.

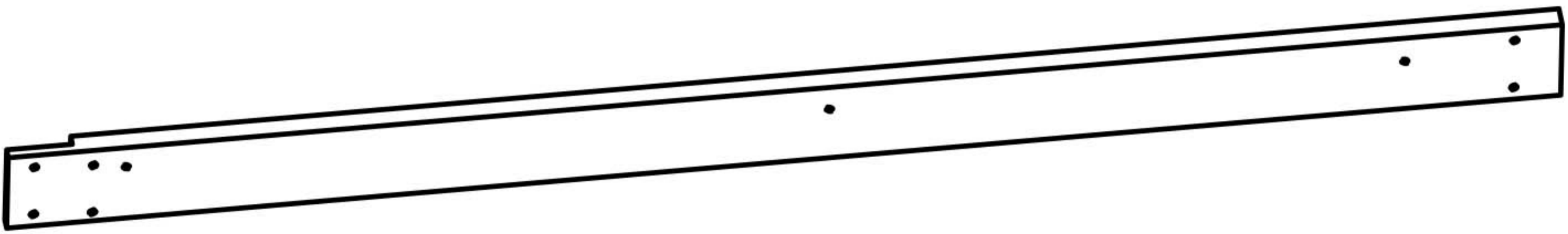
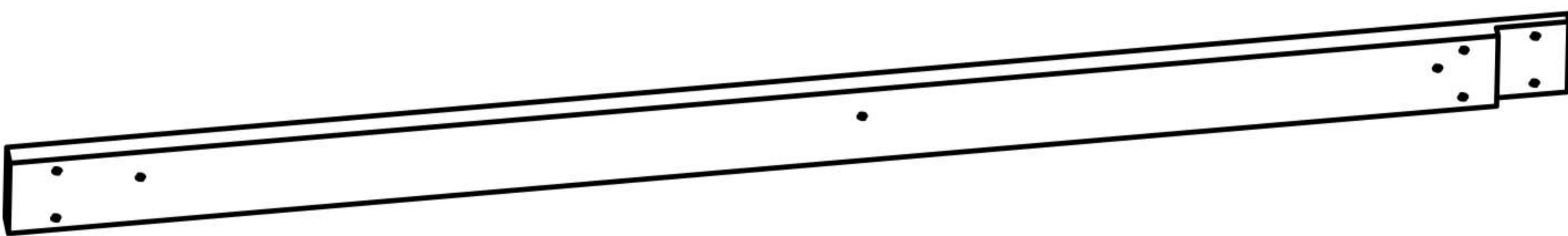
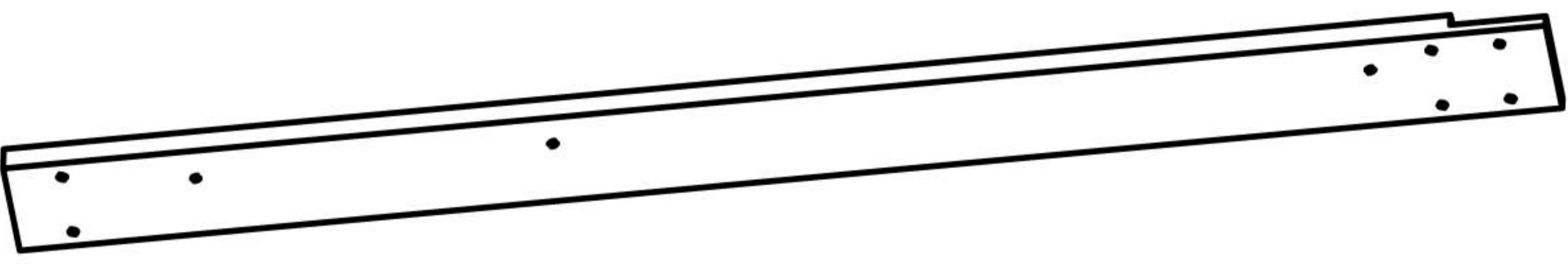
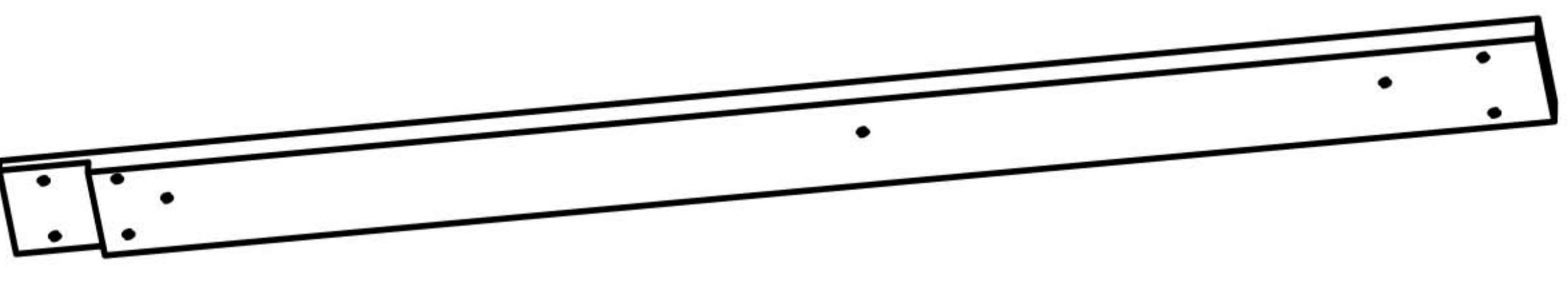


➔ ✉ E-mail: cs.helper01@gmail.com

ACCESSORY CATALOGUE

BOX 1 SKU:C-MTSJY24-G010-1

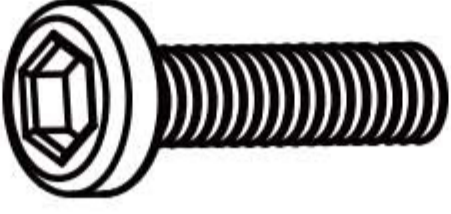

Item no.	Reference Image	Qty.
A		4

BOX 2 SKU:C-MTSJY24-G010-2

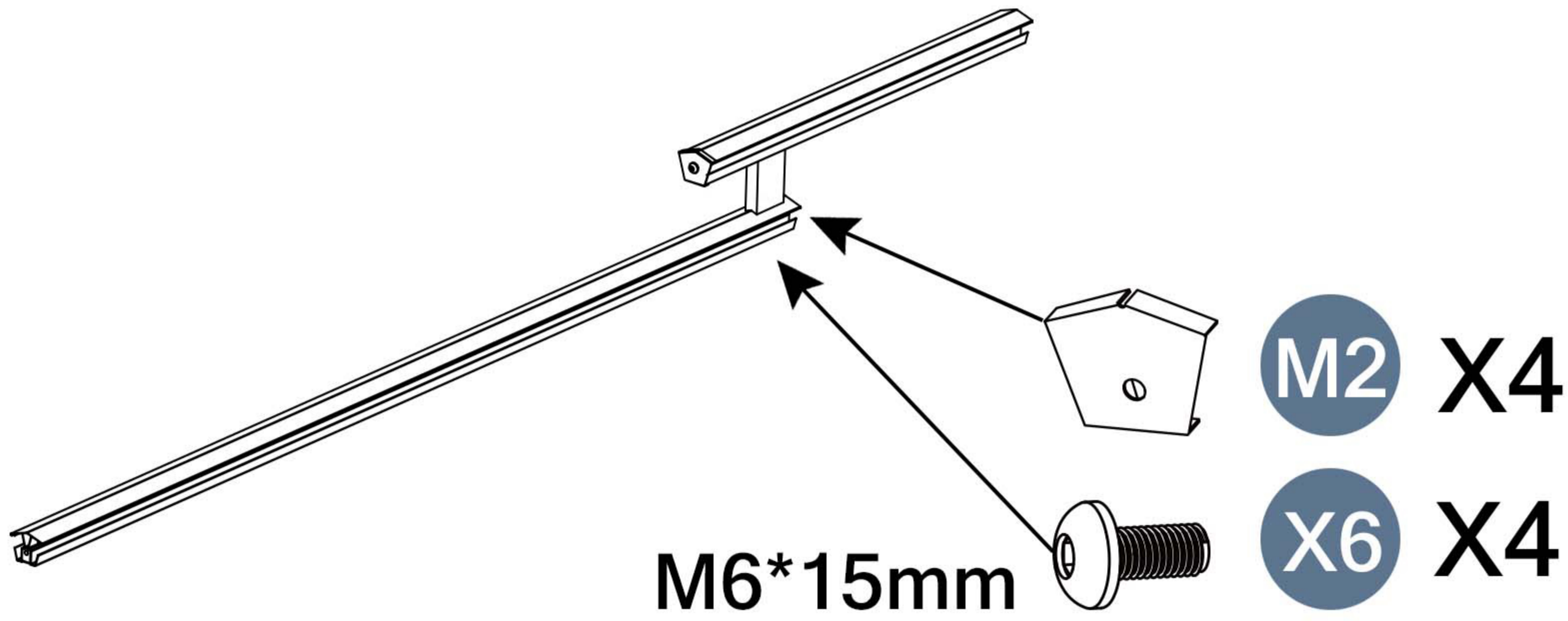
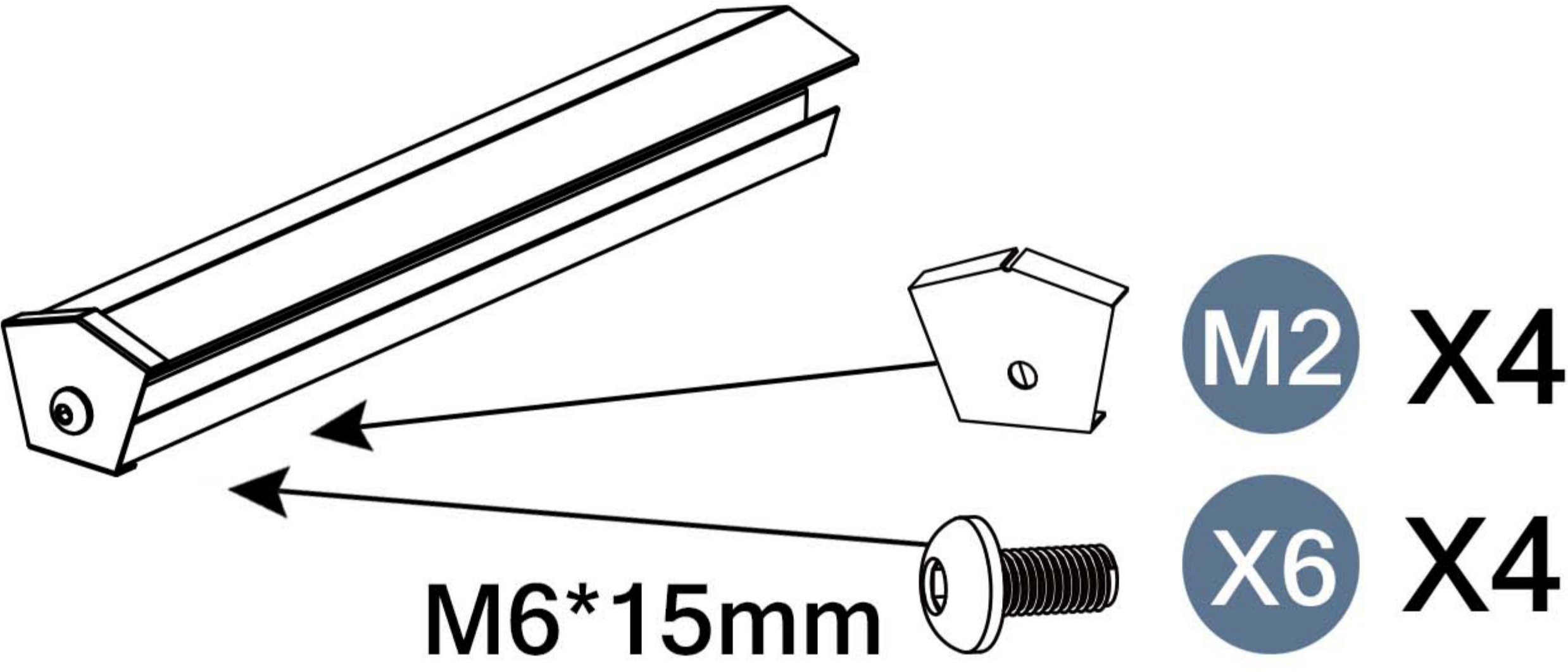

Item no.	Reference Image	Qty.
B		2
B1		2
C		2
C1		2
F		8
X1	 M8*20mm	20

Please take care of the screws and contact the after-sales service if there is any problem with the installation or parts.

ACCESSORY CATALOGUE

Item no.	Reference Image	Qty.
X2	 M8*45mm	32
1		1

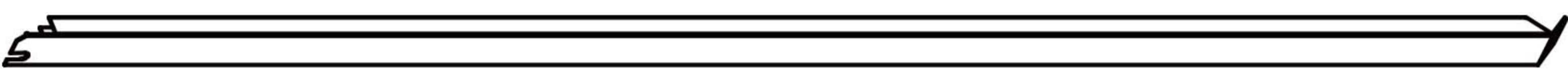
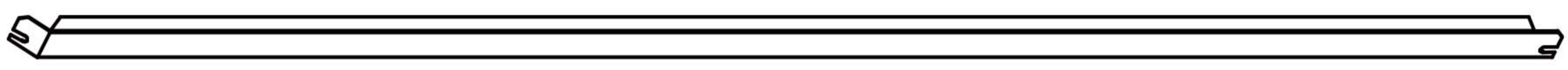
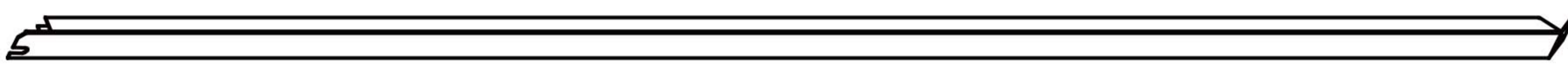
BOX 3 SKU:CM-MTSJY24-G010-3

Item no.	Reference Image	Qty.
E		4
E1		4
G1		2

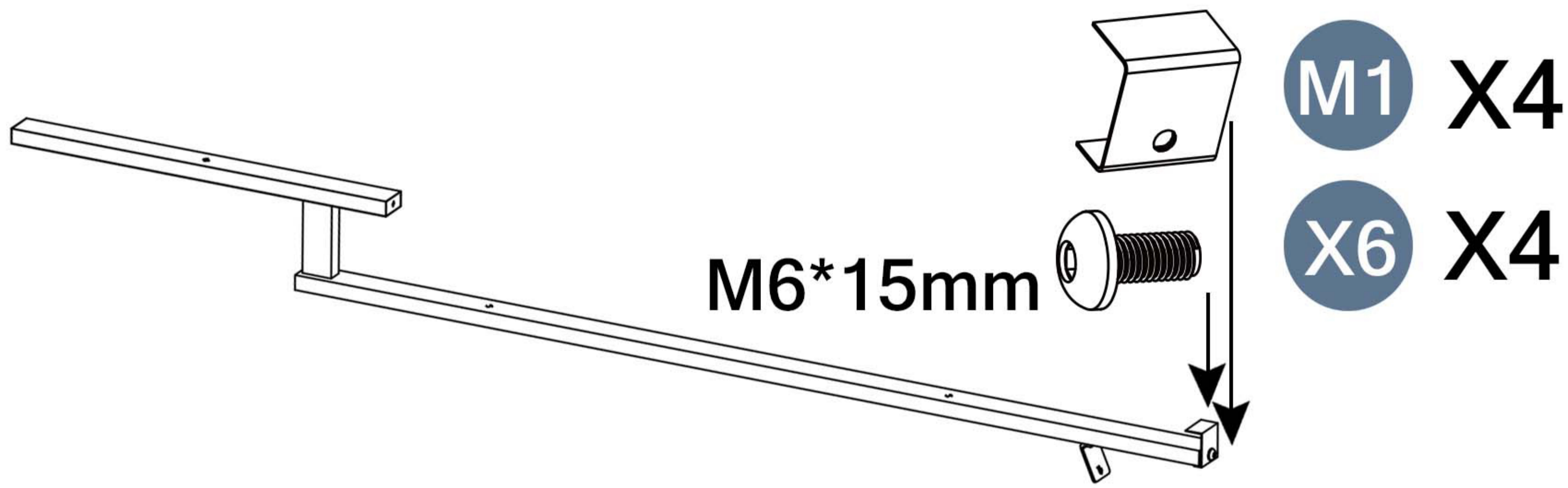
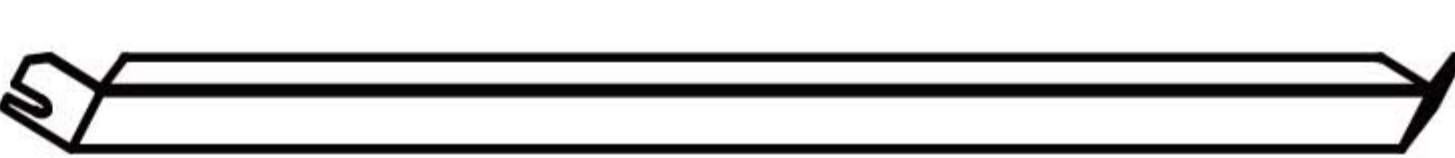
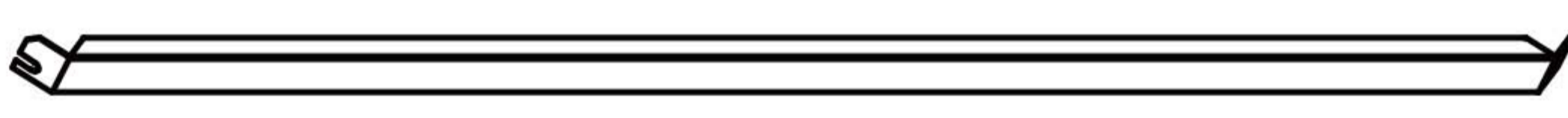
Please take care of the screws and contact the after-sales service if there is any problem with the installation or parts.

➔ ✉ E-mail: cs.helper01@gmail.com

ACCESSORY CATALOGUE

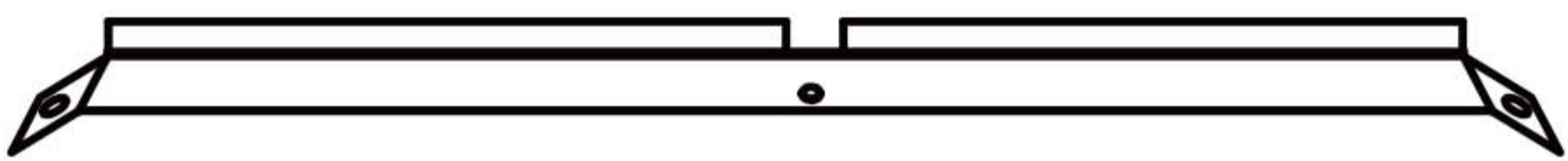
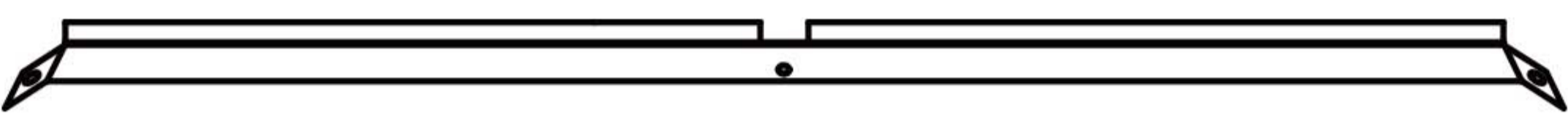
Item no.	Reference Image	Qty.
G2		2
G3		2
G4		2

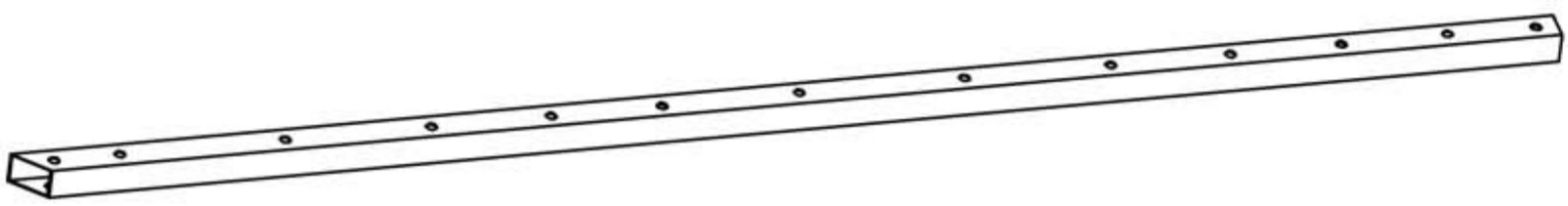
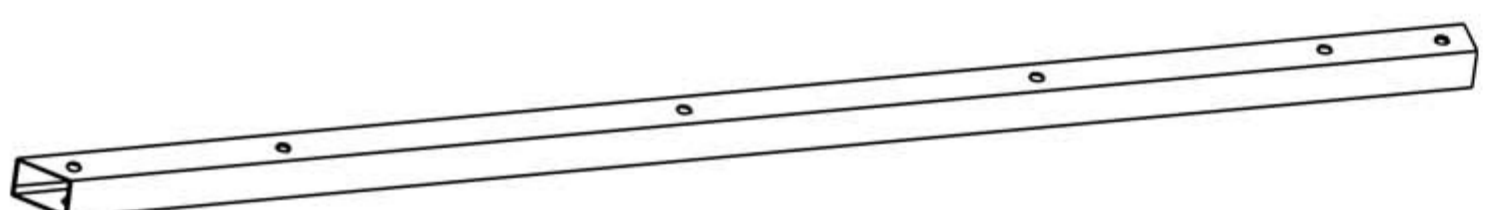
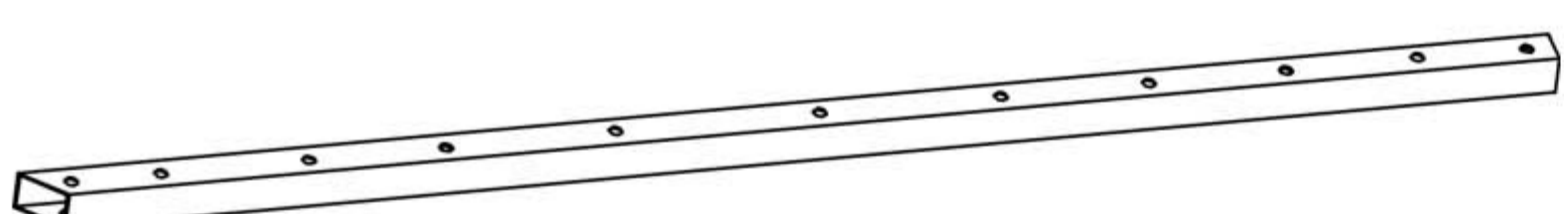
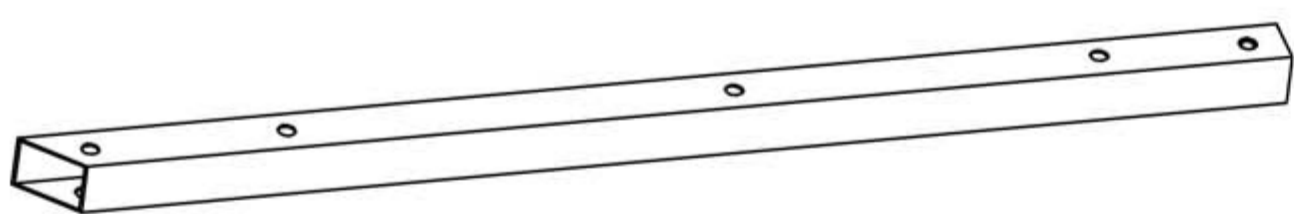
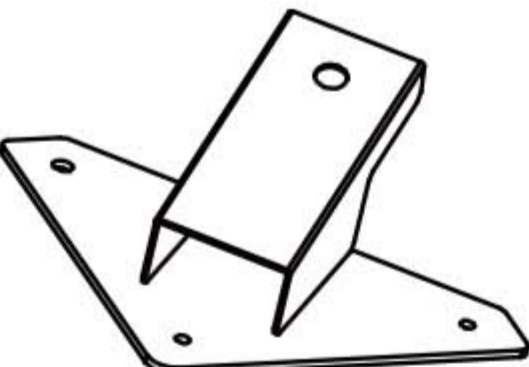
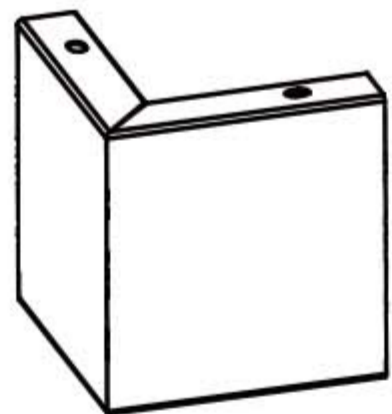
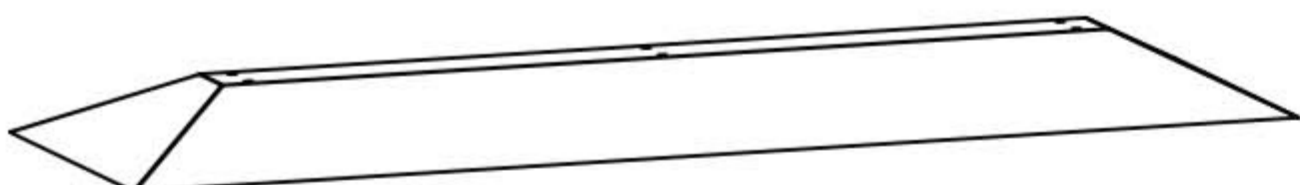
BOX 4 SKU:C-MTSJY24-G010-4

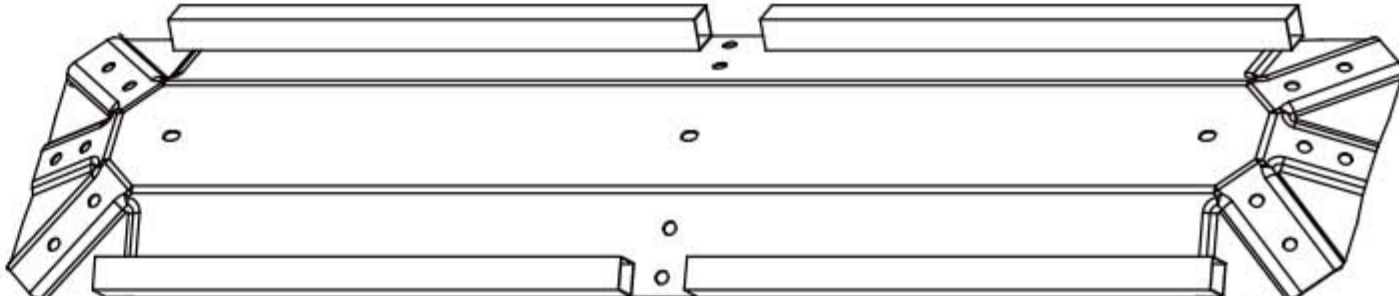
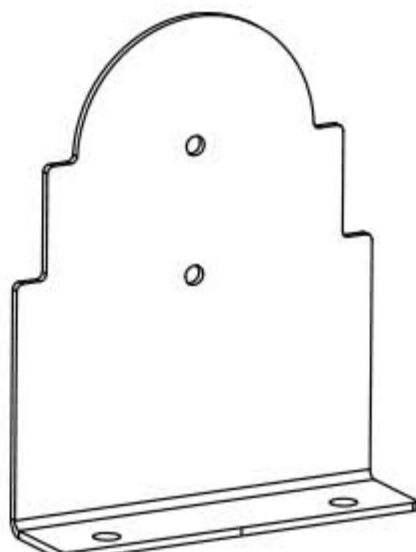
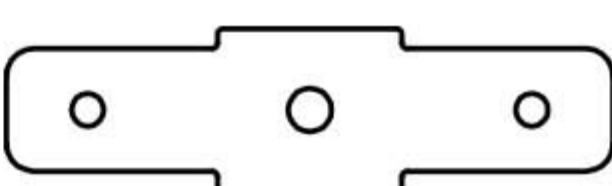

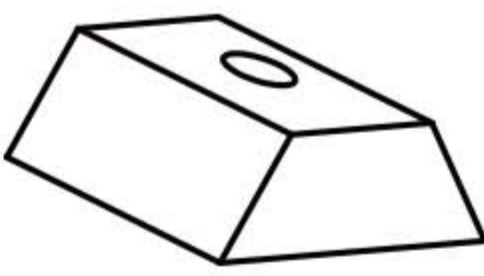
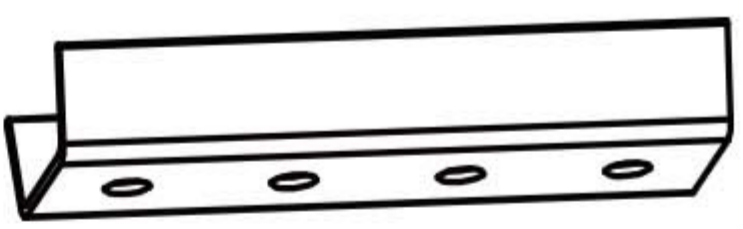
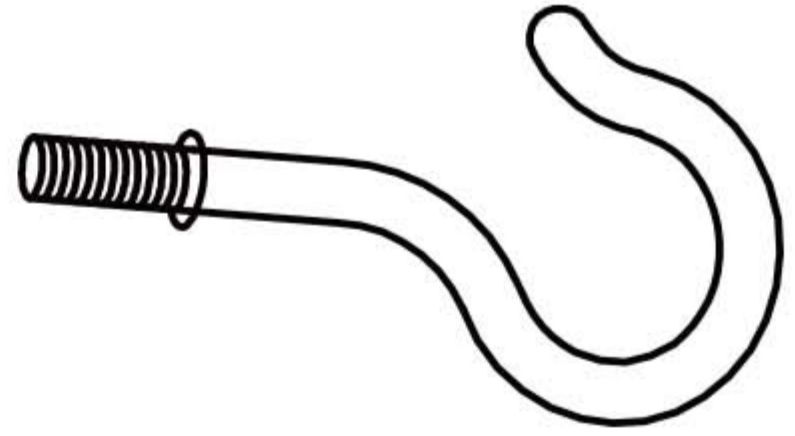
Item no.	Reference Image	Qty.
D	 <p>M6*15mm</p> <p>M1 X4</p> <p>X6 X4</p>	4
G5		2
G6		2

Please take care of the screws and contact the after-sales service if there is any problem with the installation or parts.

ACCESSORY CATALOGUE

Item no.	Reference Image	Qty.
G7		2
G10		2

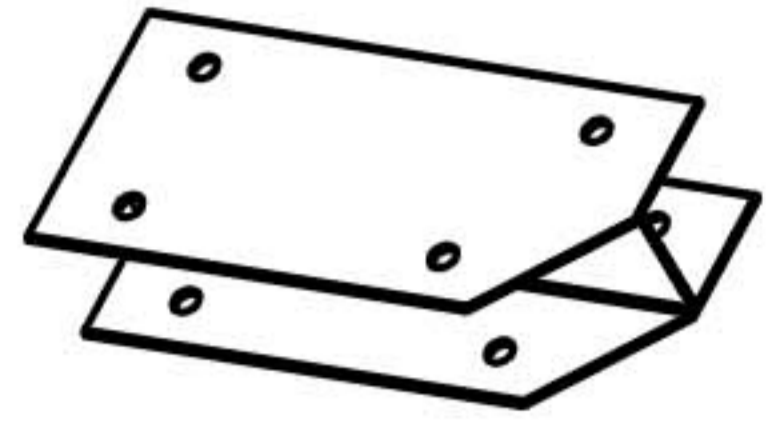

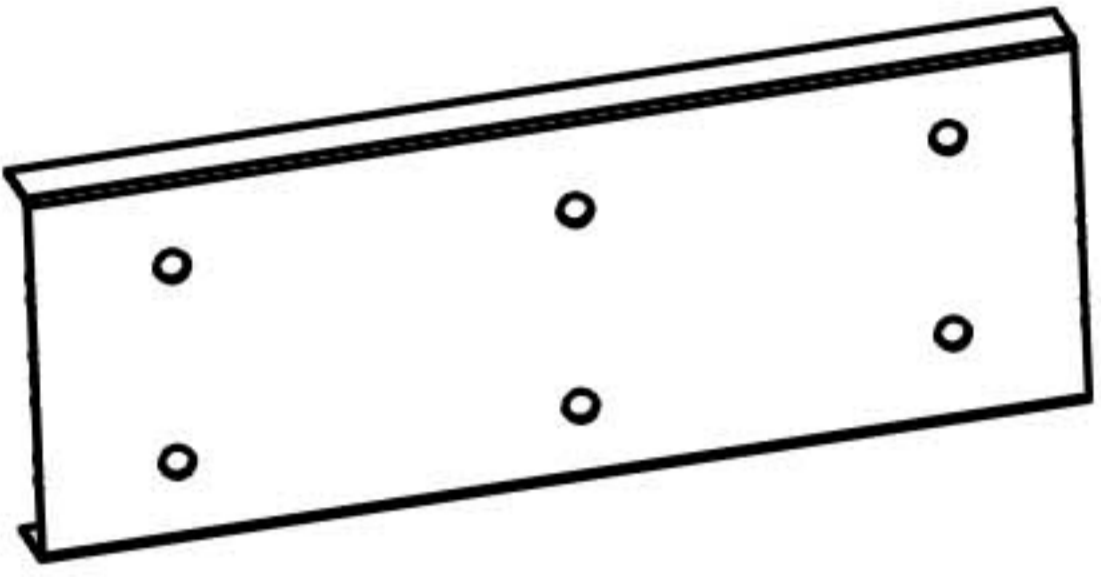
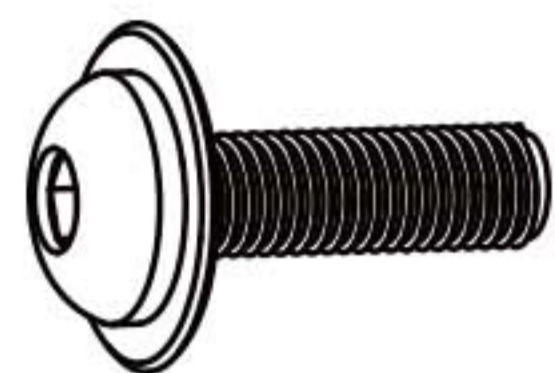


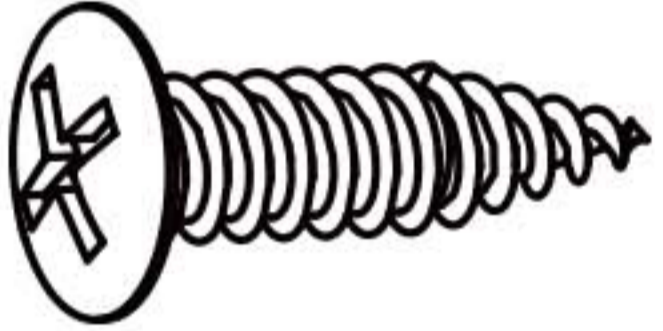

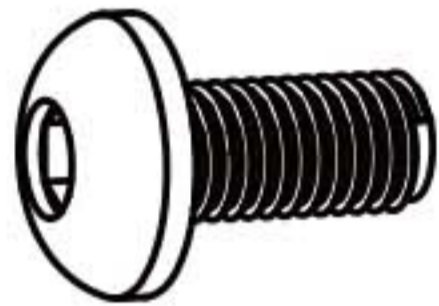
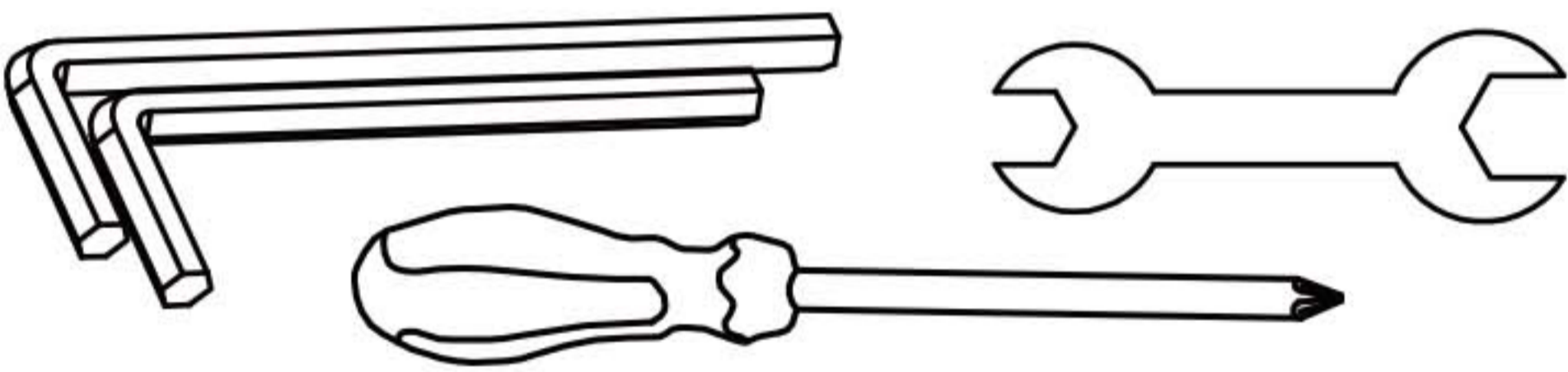
Item no.	Reference Image	Qty.
H		4
H1		4
H2		4
H3		4
I		4
J1		4
K		1

Item no.	Reference Image	Qty.
K1		1
L		12
M3		8
M4		8
M5		120
M6		4
M7		2

Please take care of the screws and contact the after-sales service if there is any problem with the installation or parts.

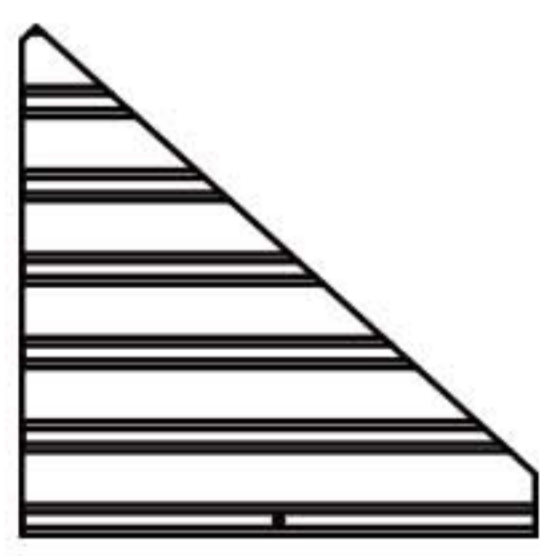
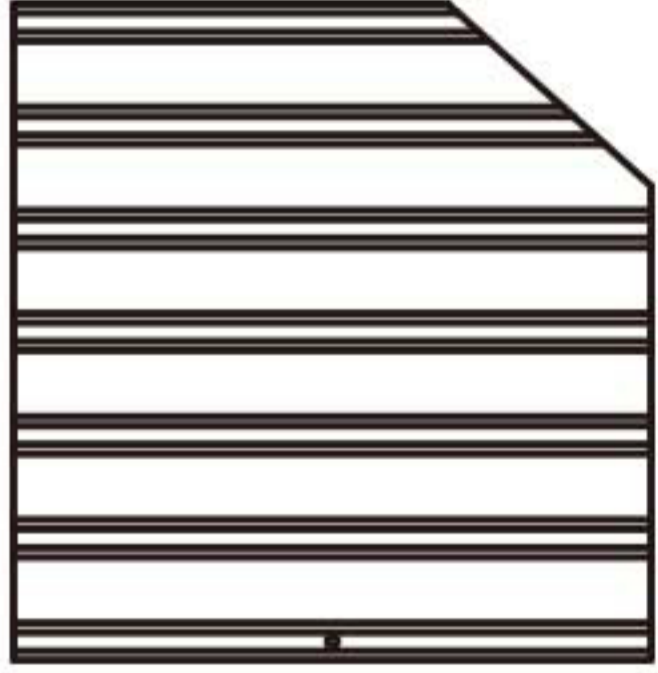
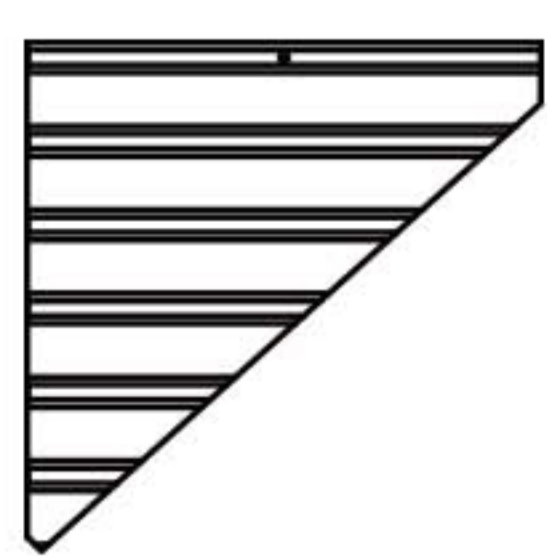
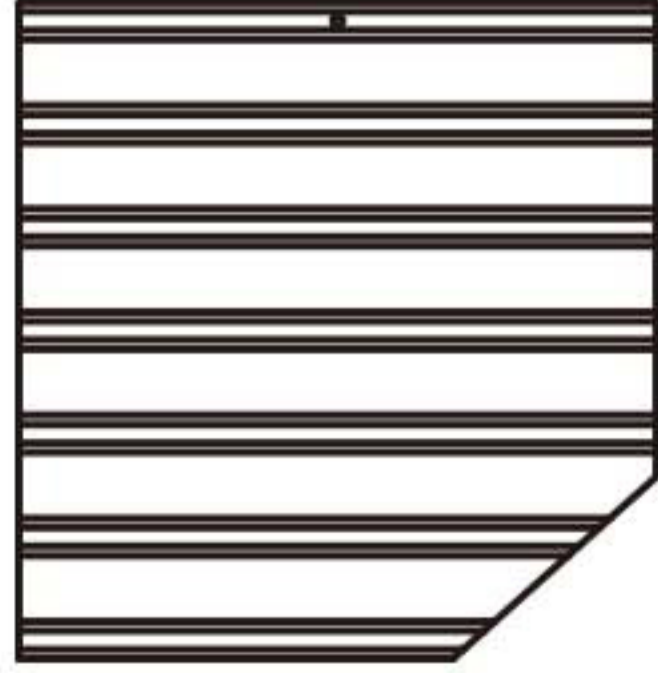
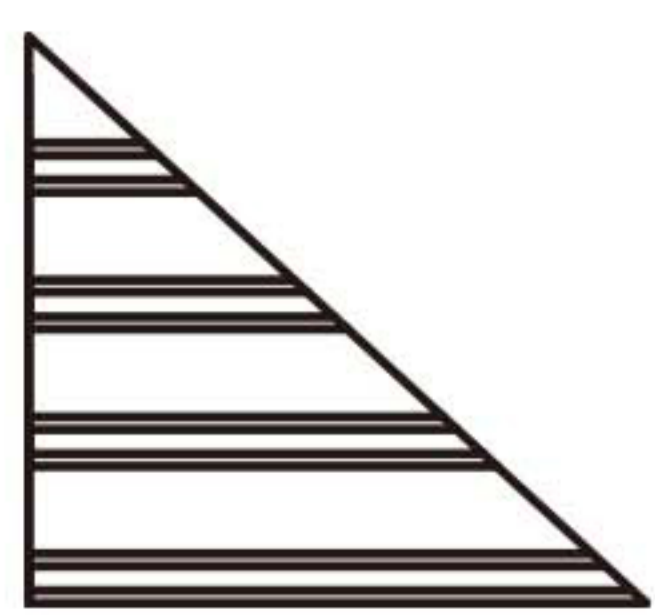
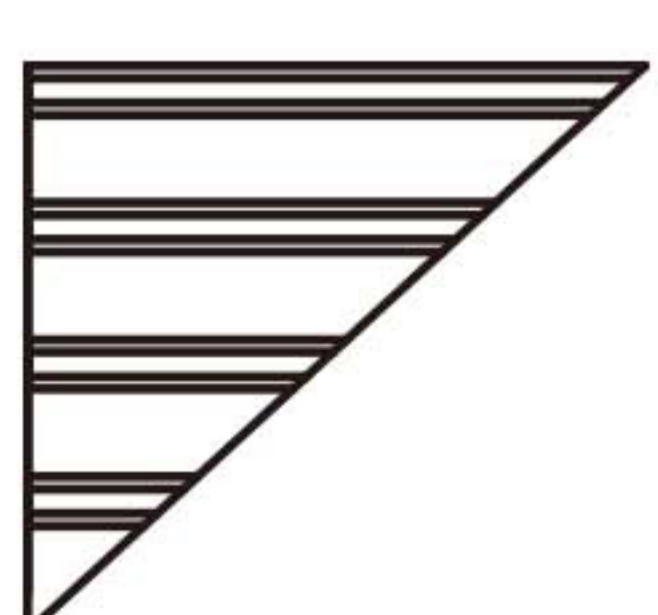
➔ ✉ E-mail: cs.helper01@gmail.com

ACCESSORY CATALOGUE

Item no.	Reference Image	Qty.	Item no.	Reference Image	Qty.
R		8	X7	 M6*42mm	120
T		4	X8	 M6*30mm	4
X4	 M6*38mm	4	X9	 M5*15mm	72
X5	 M4*25mm	24	2		12
X6	 M6*15mm	97	3		1

BOX 5

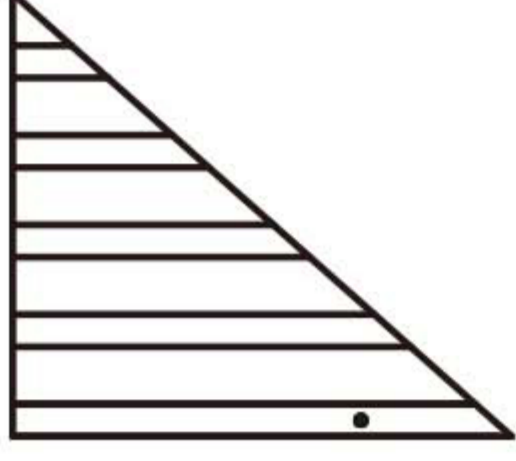
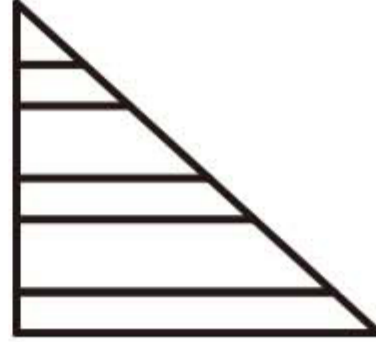
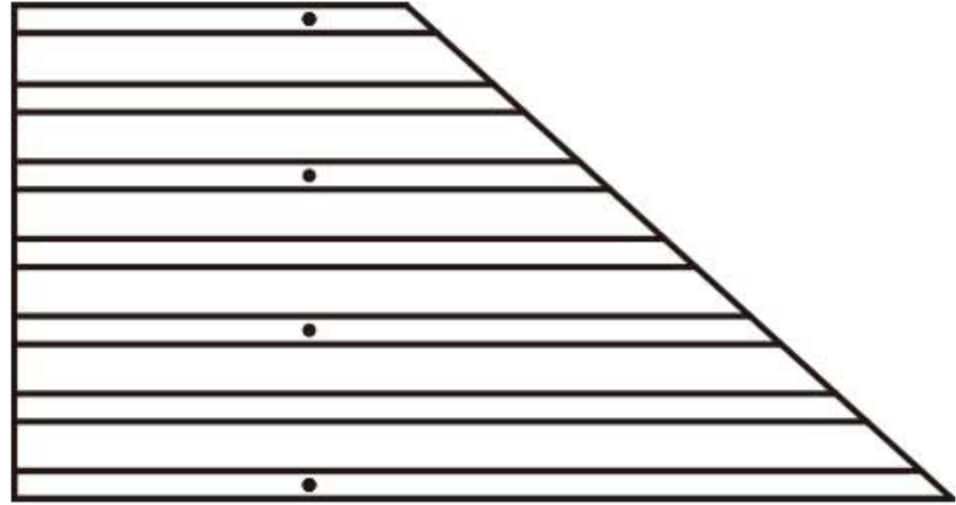
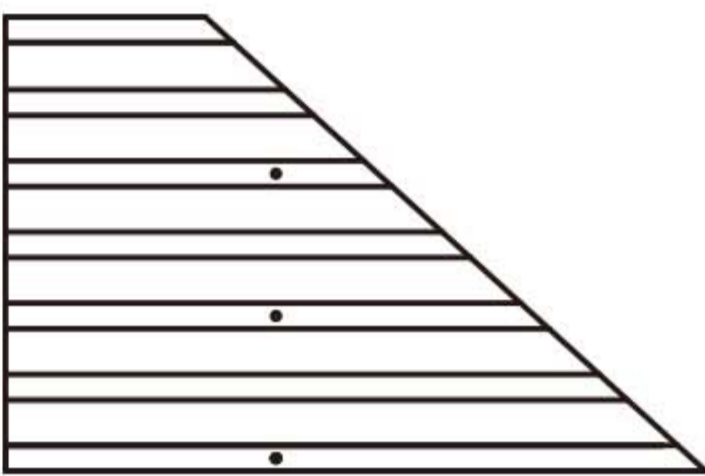
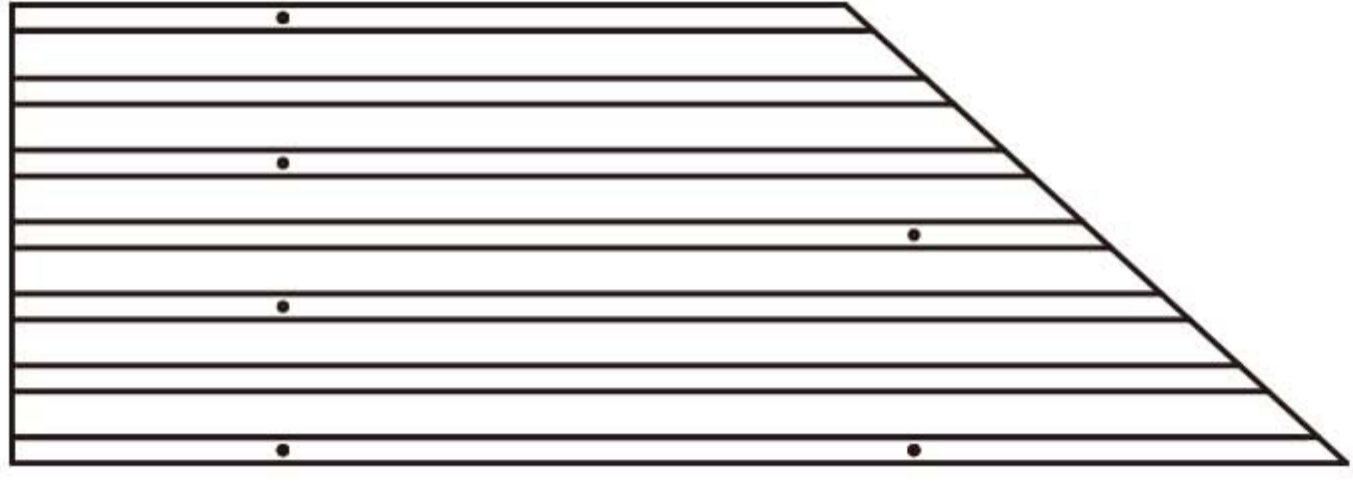
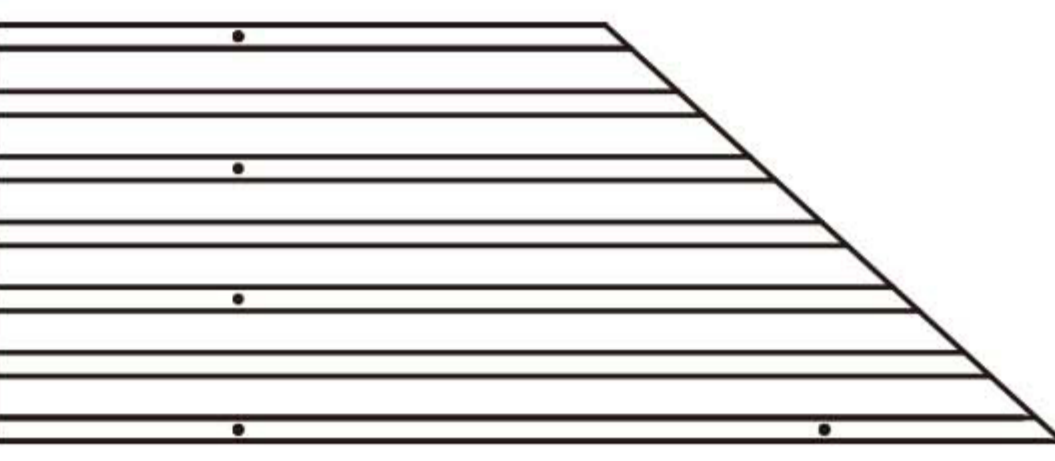
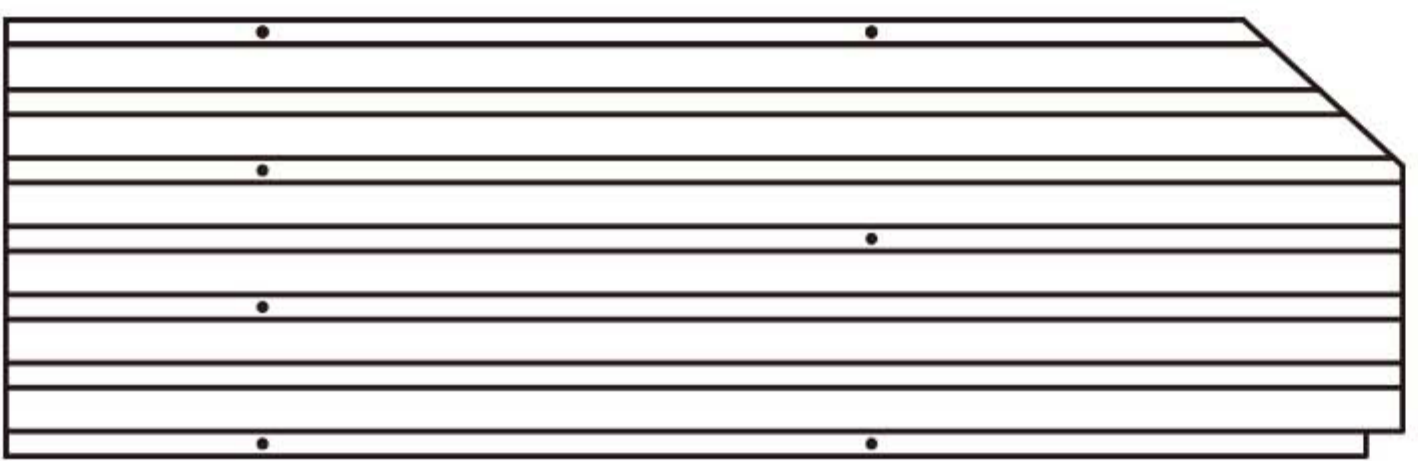
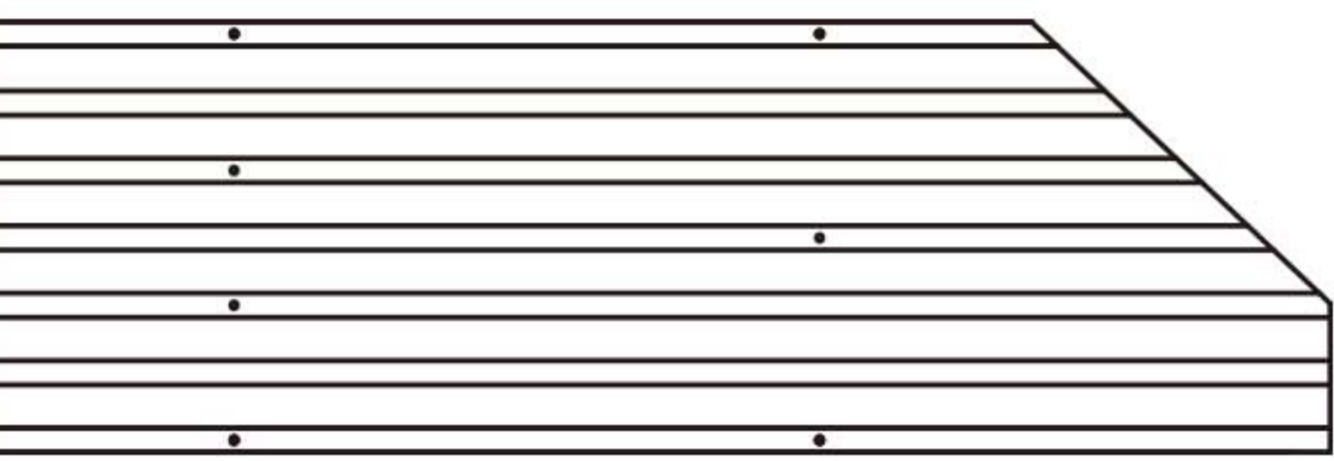
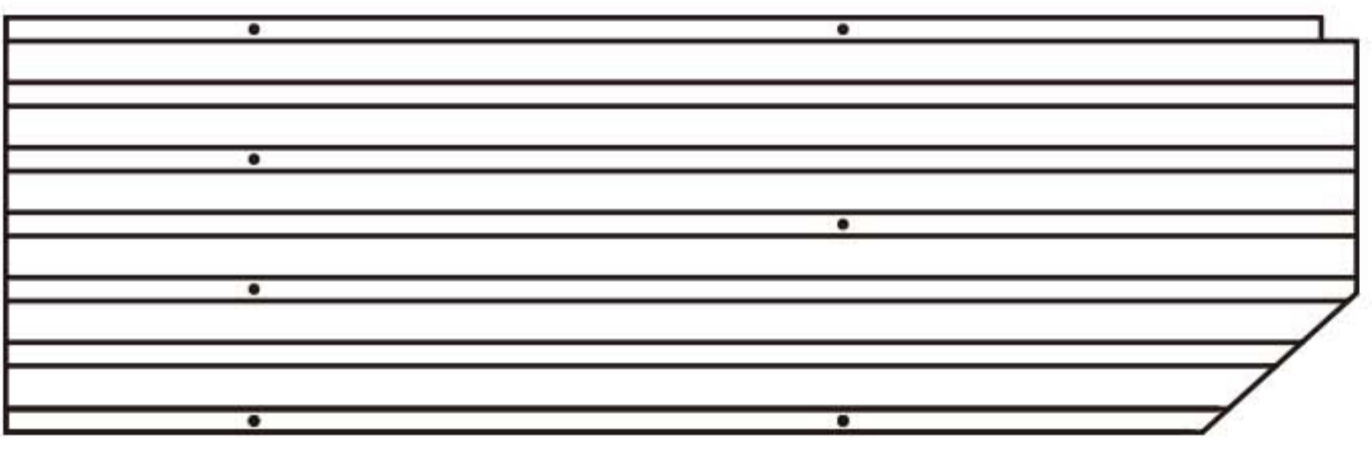
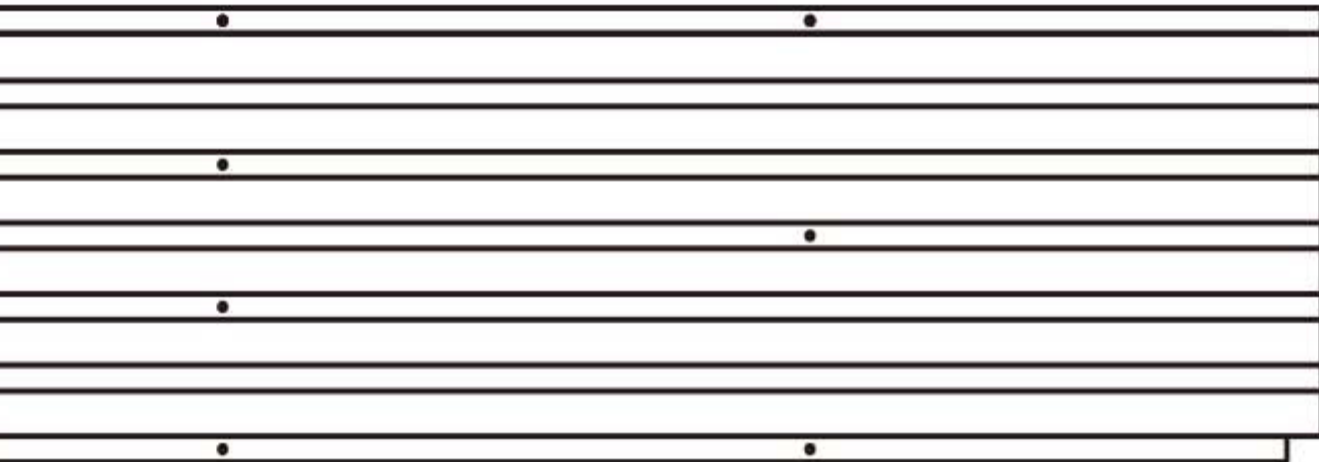
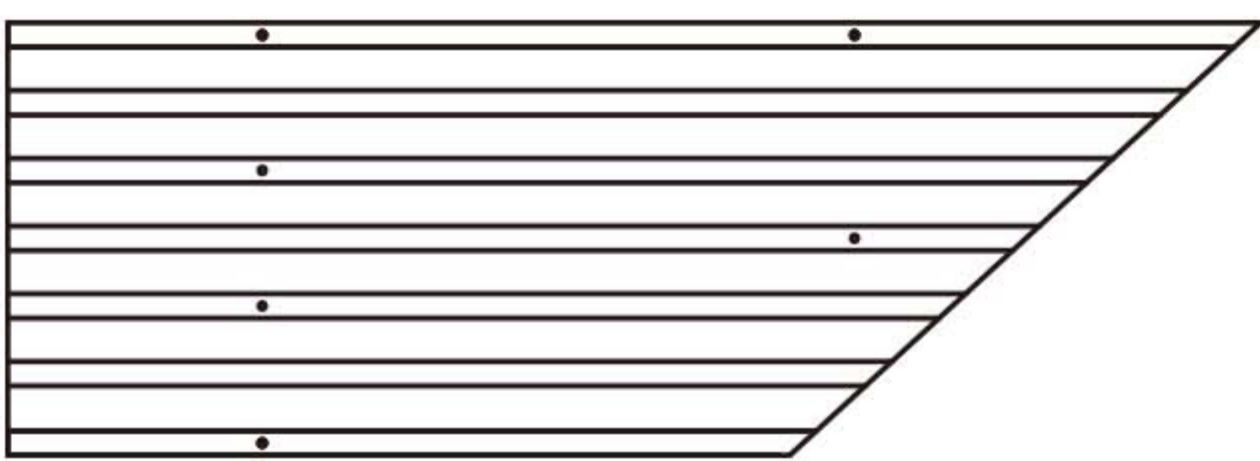
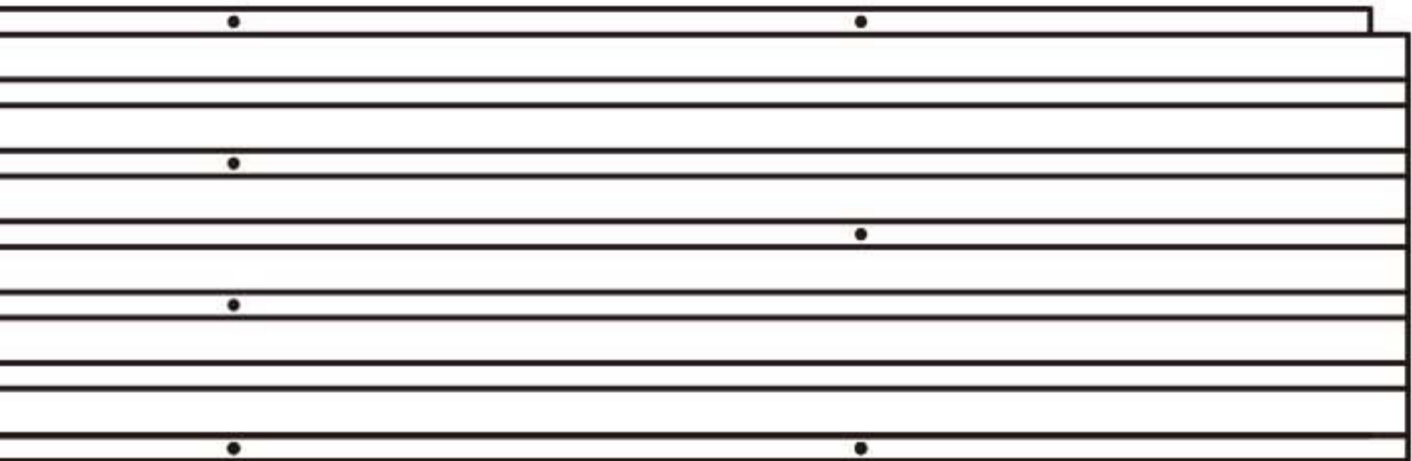
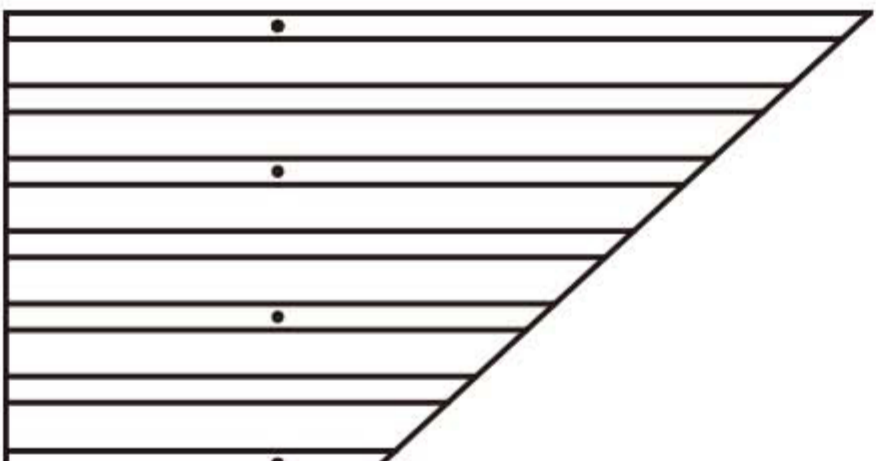
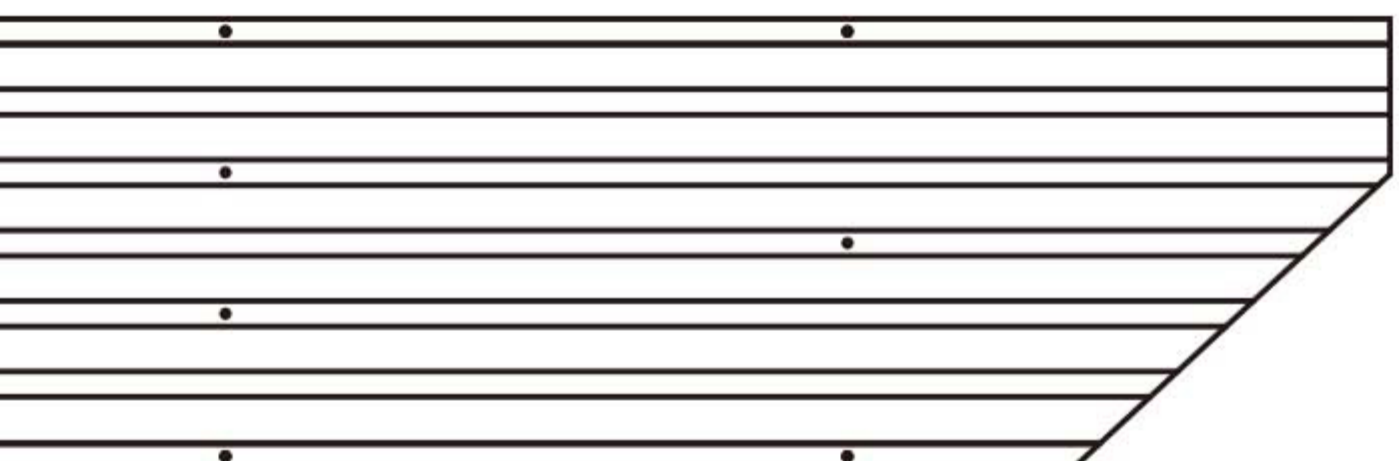
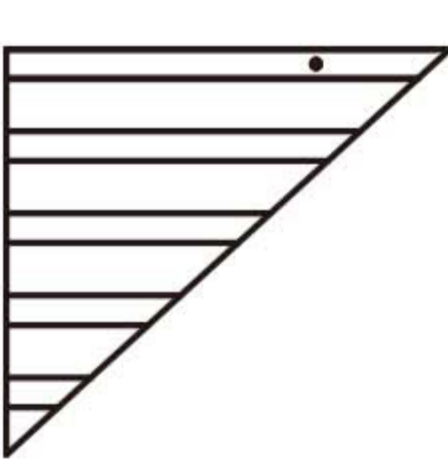
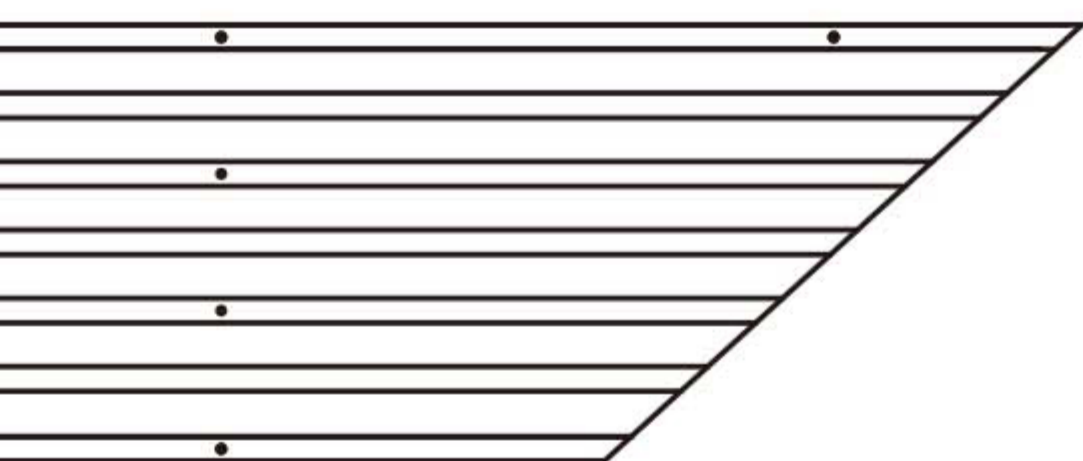
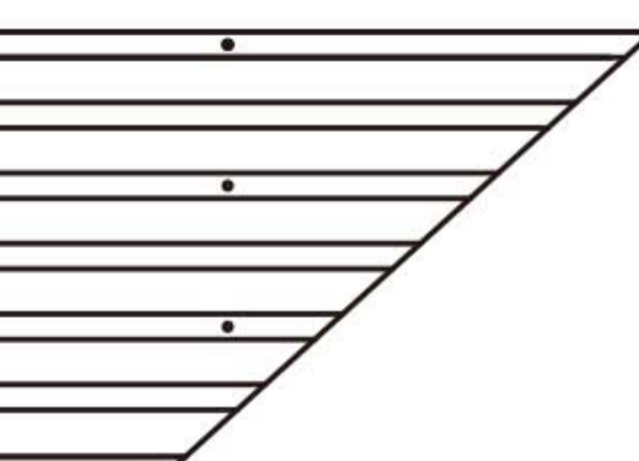
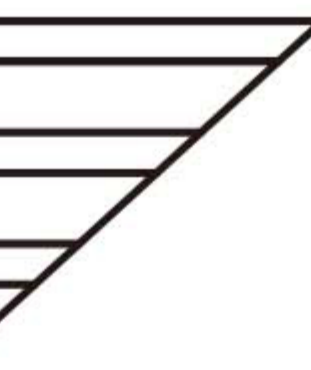
SKU:C-MTSJY24-G010-5

Item no.	Reference Image	Qty.	Item no.	Reference Image	Qty.
O5		2	N7		2
V5		2	Y7		2
N6		2	Y6		2

Please take care of the screws and contact the after-sales service if there is any problem with the installation or parts.



ACCESSORY CATALOGUE

Item no.	Reference Image	Qty.	Item no.	Reference Image	Qty.
O1		2	N1		2
O2		2	N2		2
O3		2	N3		2
O4		2	N4		2
V4		2	N5		2
V3		2	Y5		2
V2		2	Y4		2
V1		2	Y3		2
			Y2		2
			Y1		2

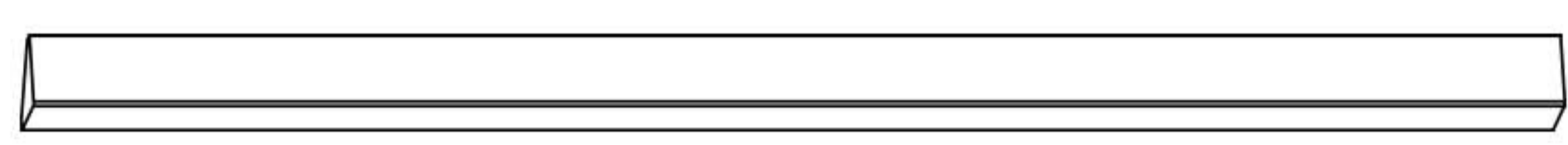
Please take care of the screws and contact the after-sales service if there is any problem with the installation or parts.



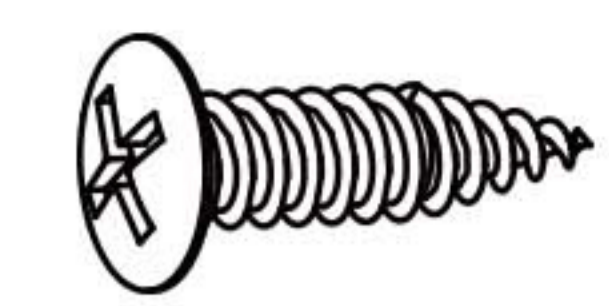
E-mail: cs.helper01@gmail.com

STEP 1

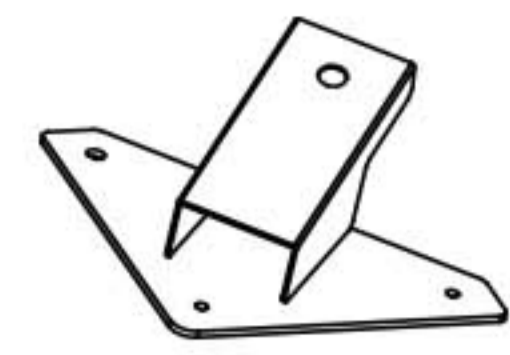
Parts required



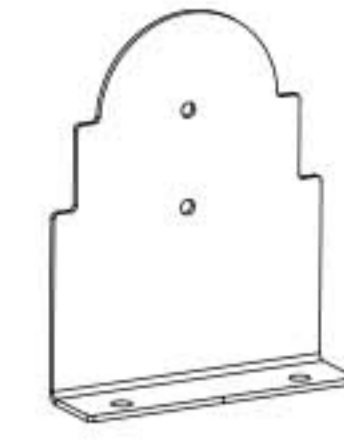
A 4pcs



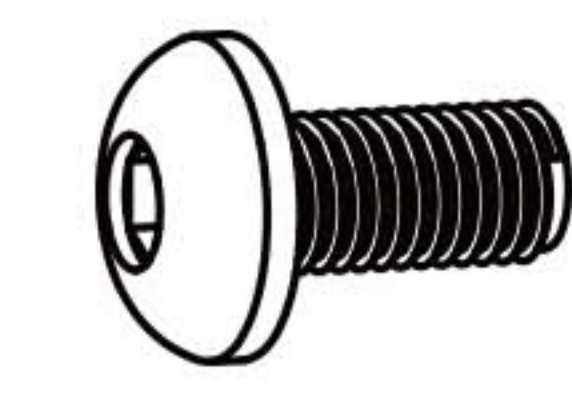
X5 24pcs



I 4pcs



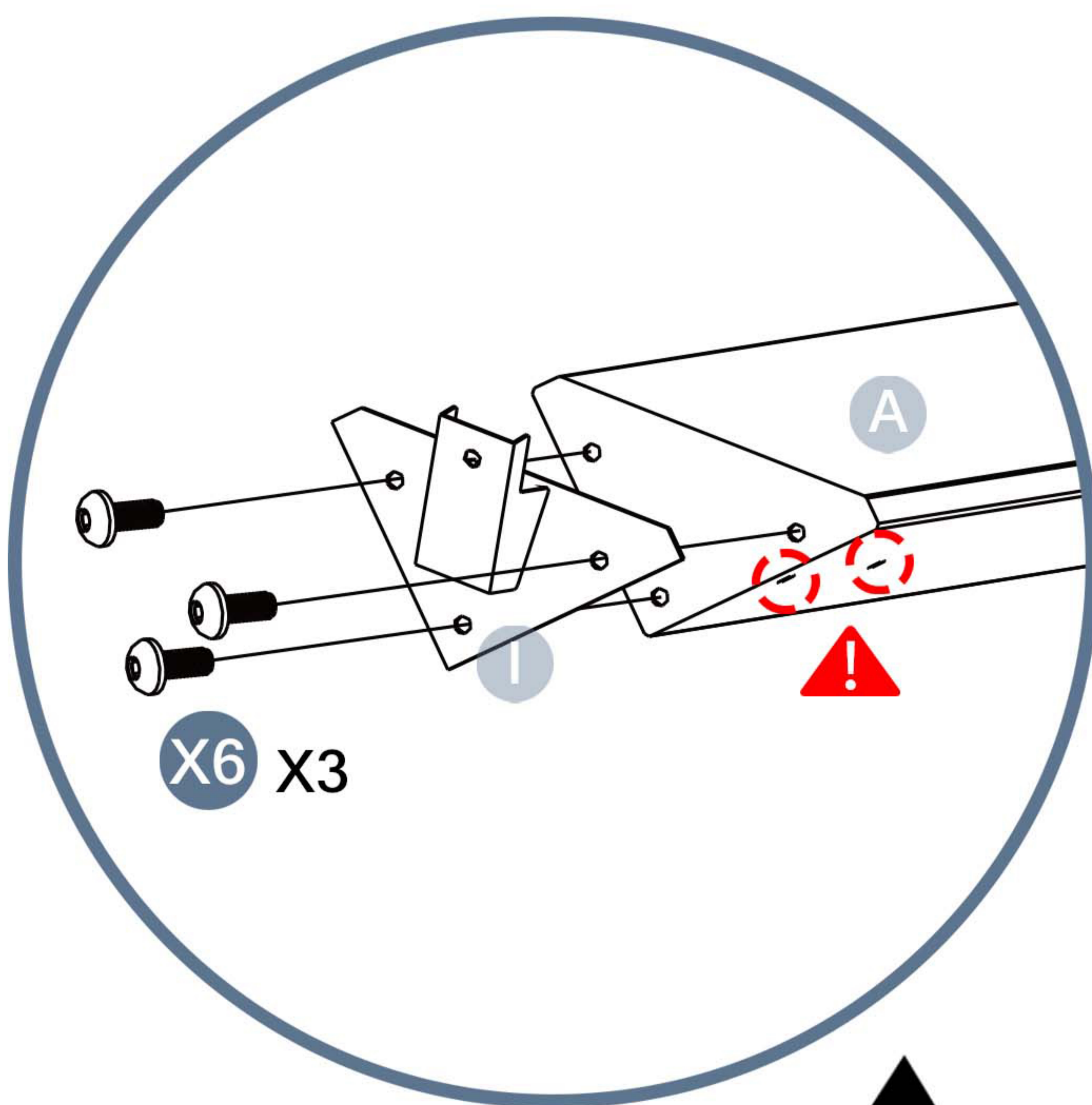
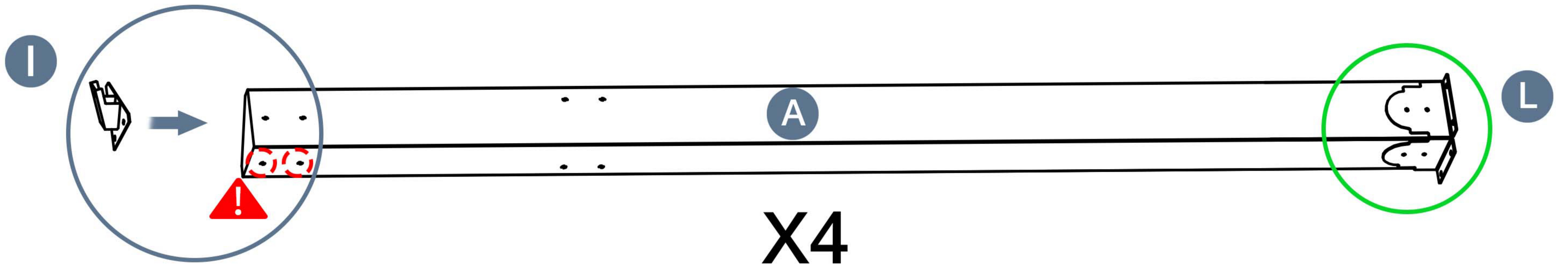
L 12pcs



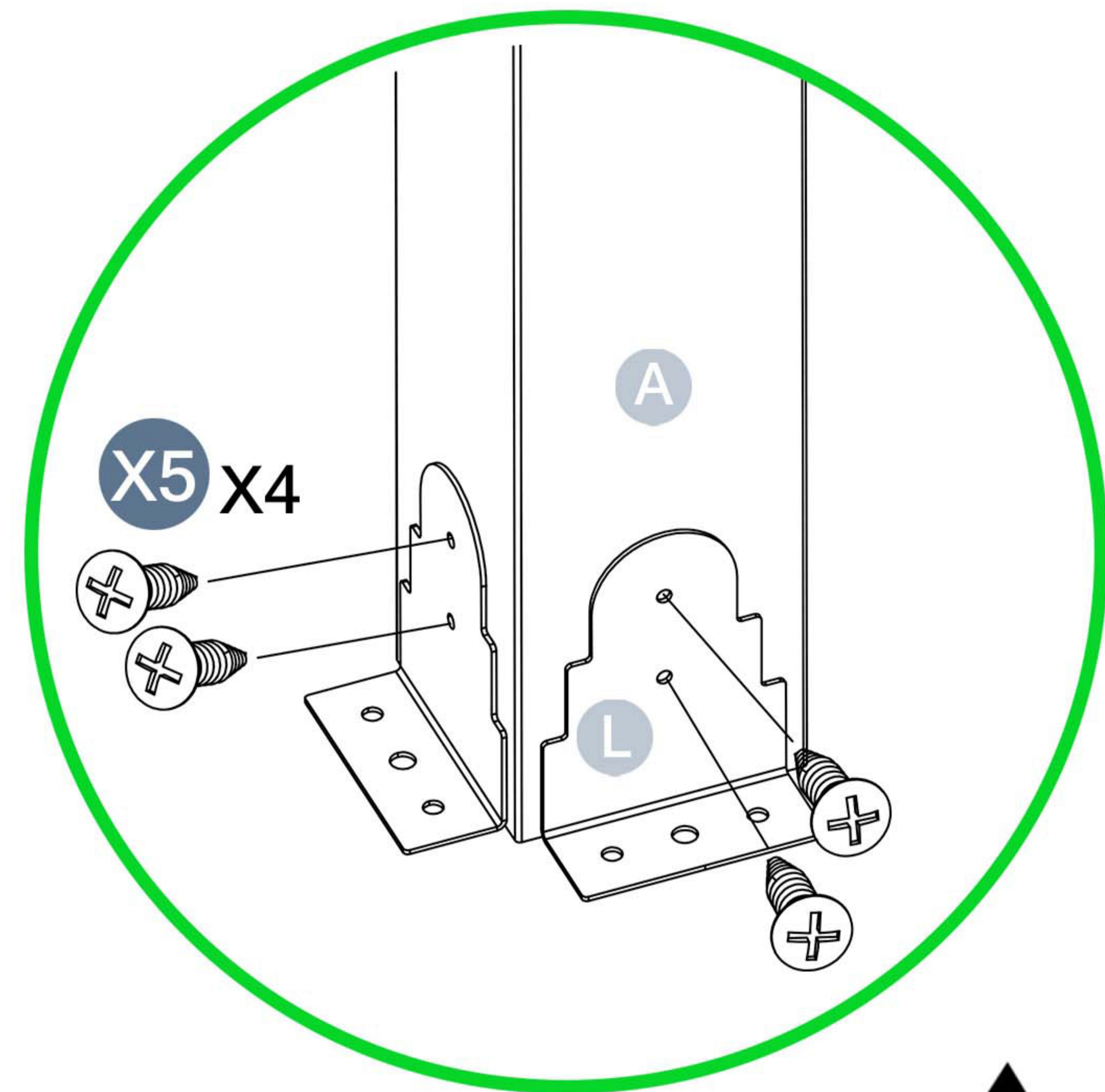
X6 12pcs



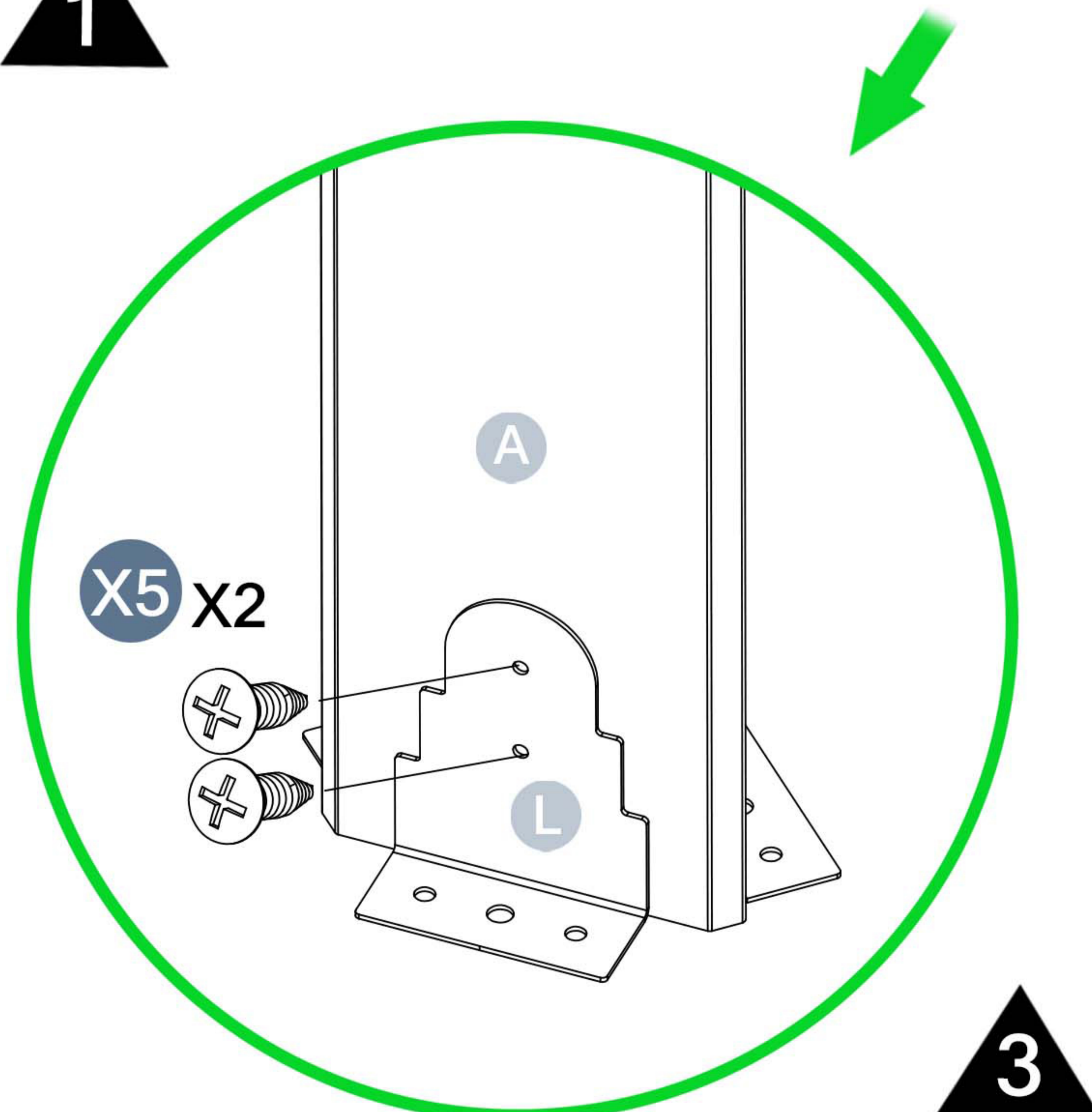
Please note the orientation of the hole.



1



2

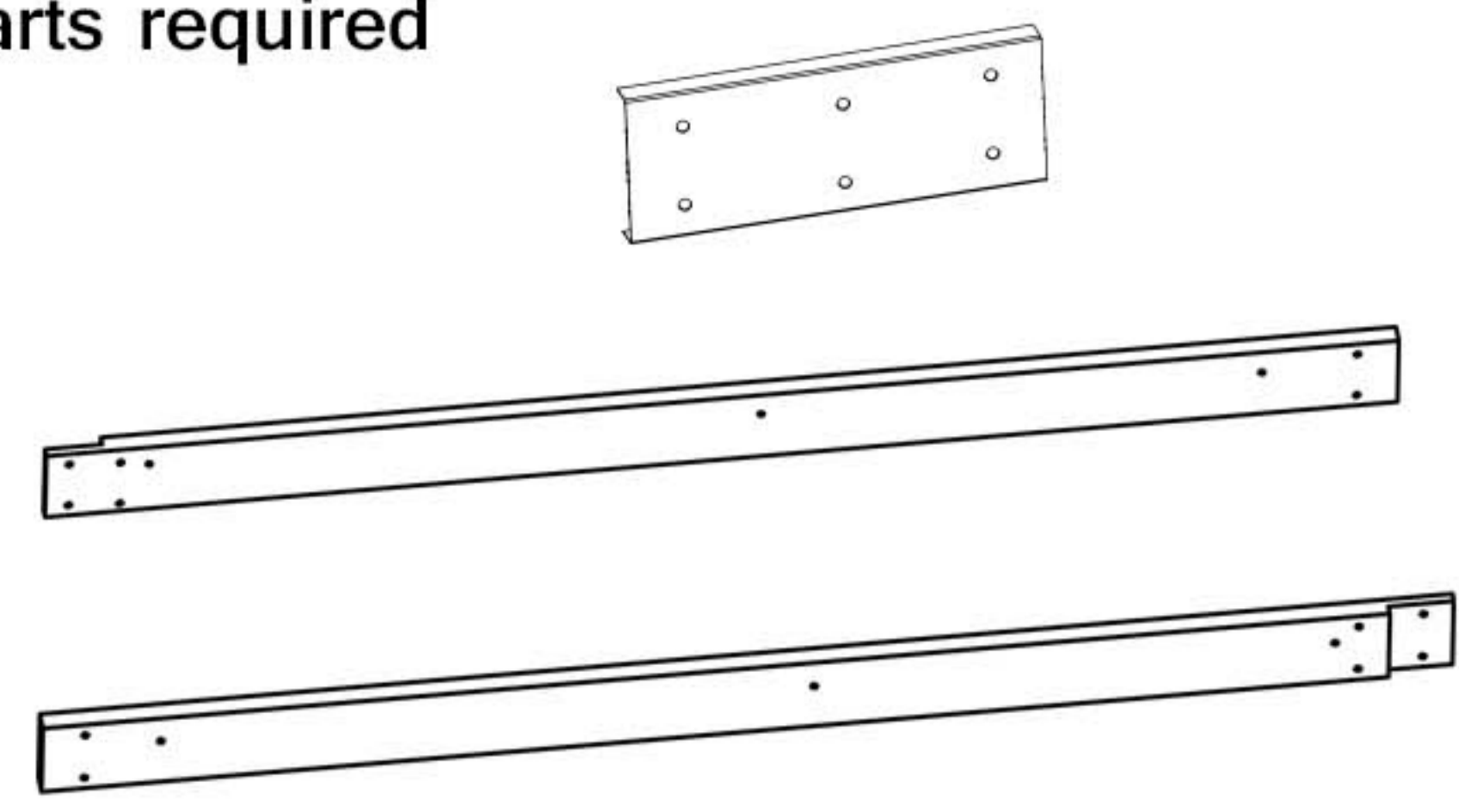


3

Please take care of the screws and contact the after-sales service if there is any problem with the installation or parts.

STEP 2

Parts required

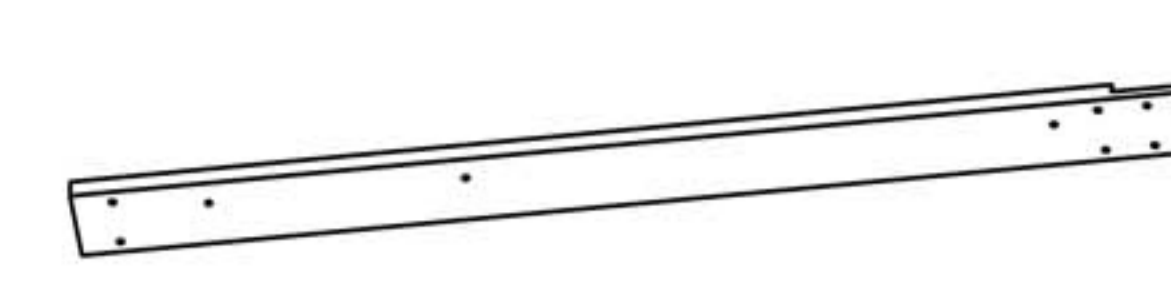


T 4pcs



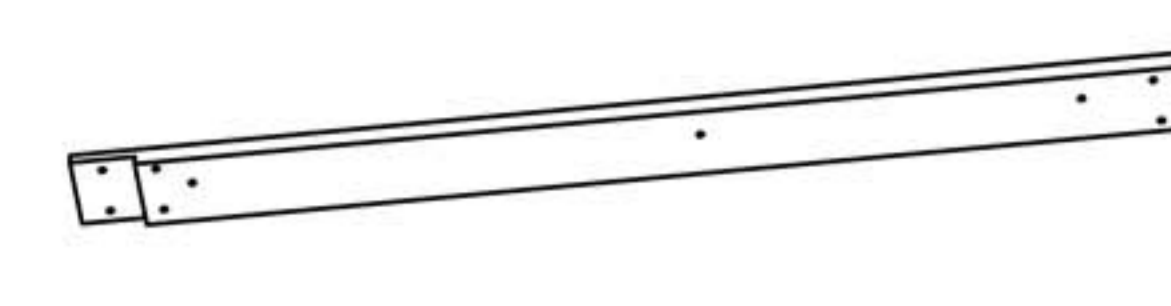
X1 20pcs

B 2pcs

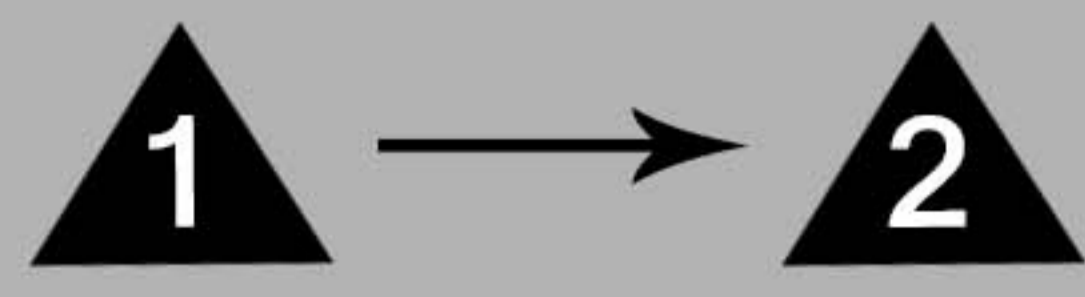


C 2pcs

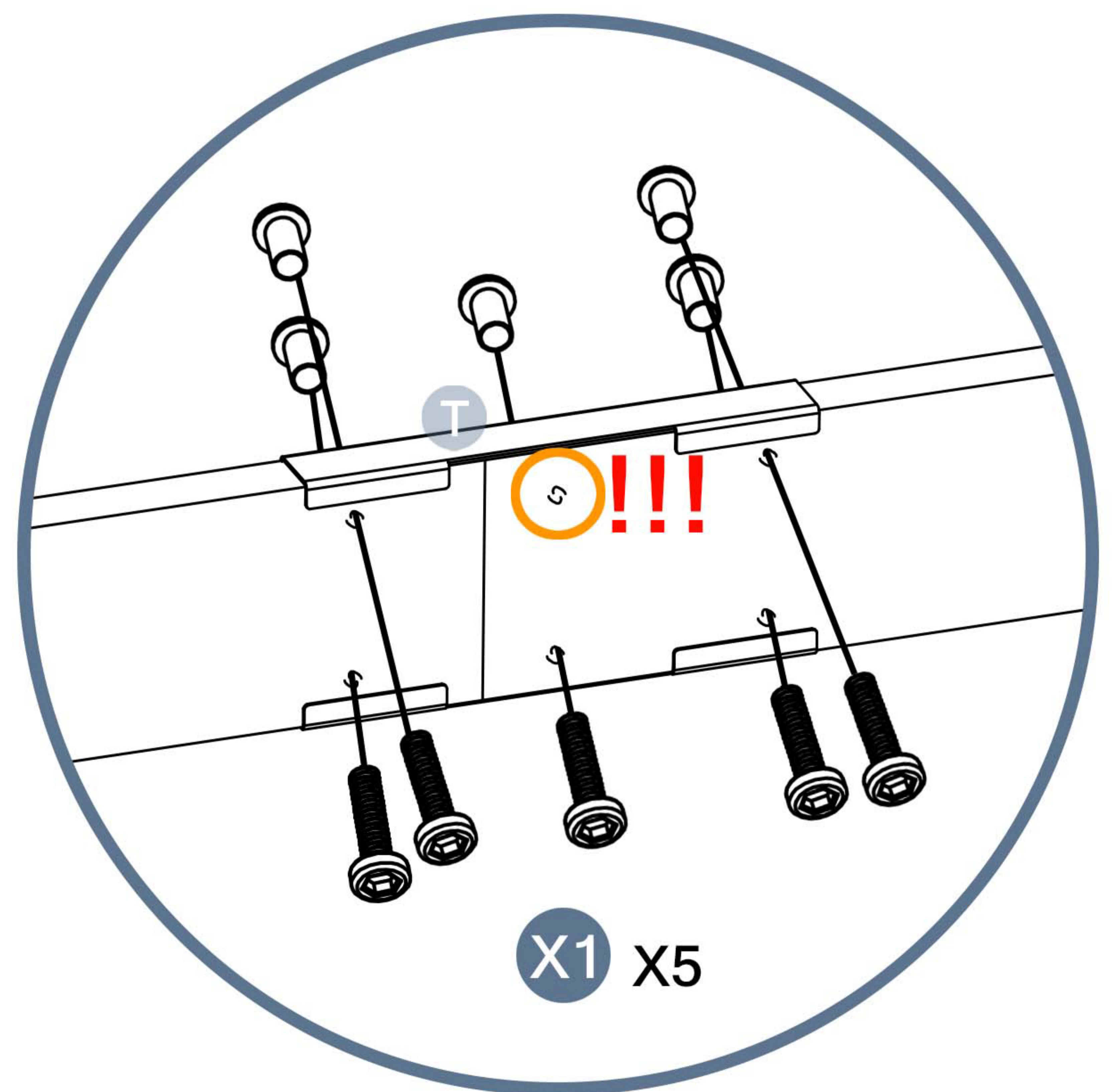
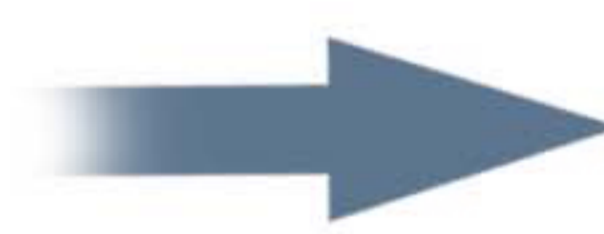
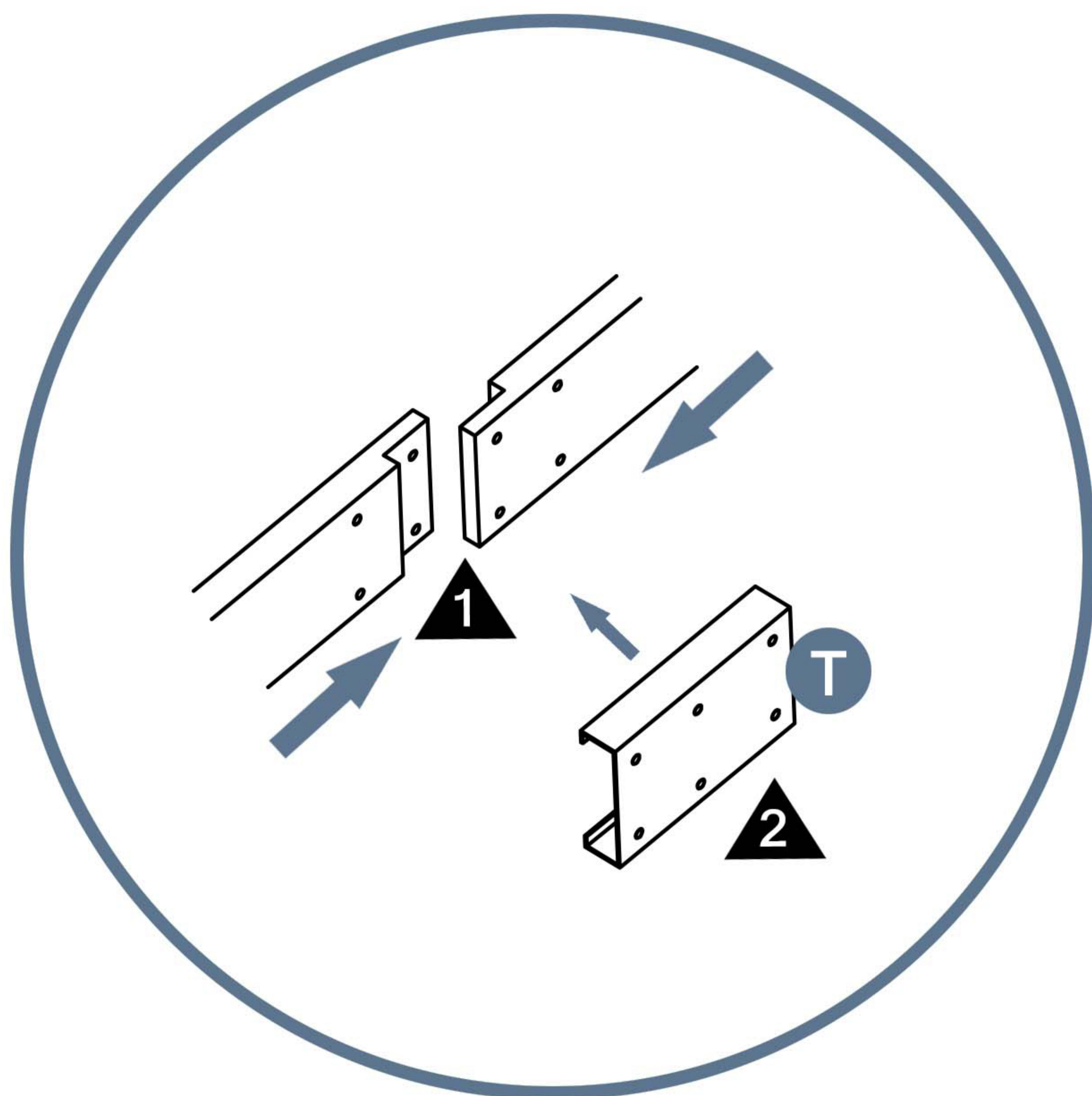
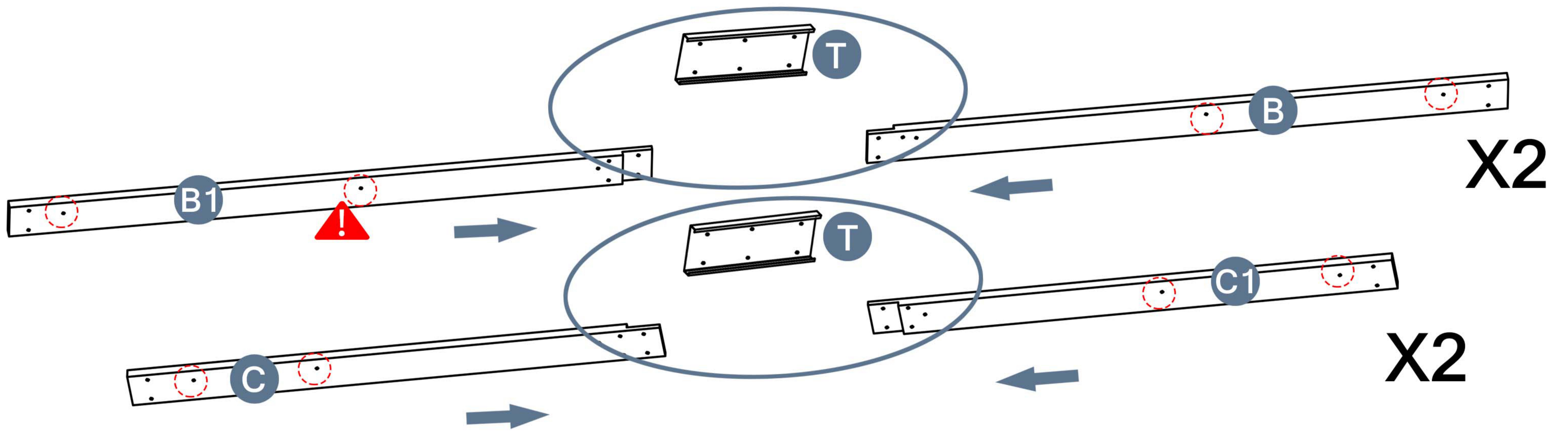
B1 2pcs



C1 2pcs

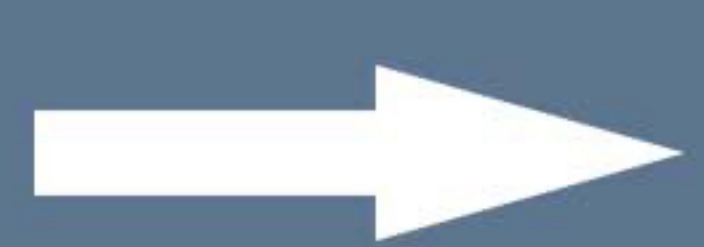


Pay attention to the orientation of the red circle, please install the **T** on the back. (shown in the figure).



!!! Be careful not to screw into the holes in the yellow circle at this step and screw at step 6.

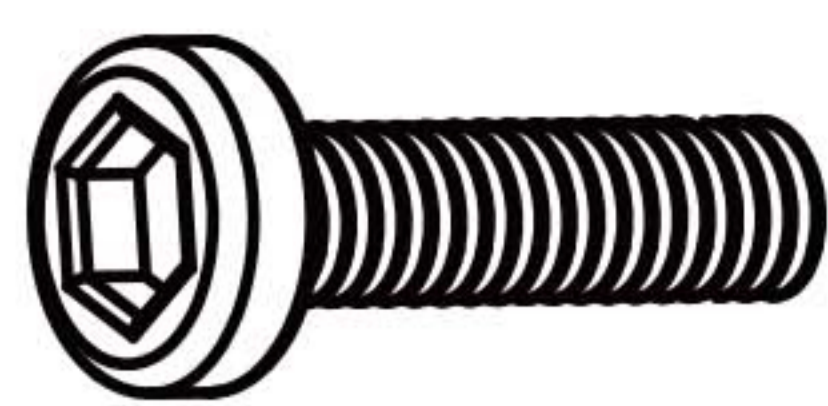
Please take care of the screws and contact the after-sales service if there is any problem with the installation or parts.



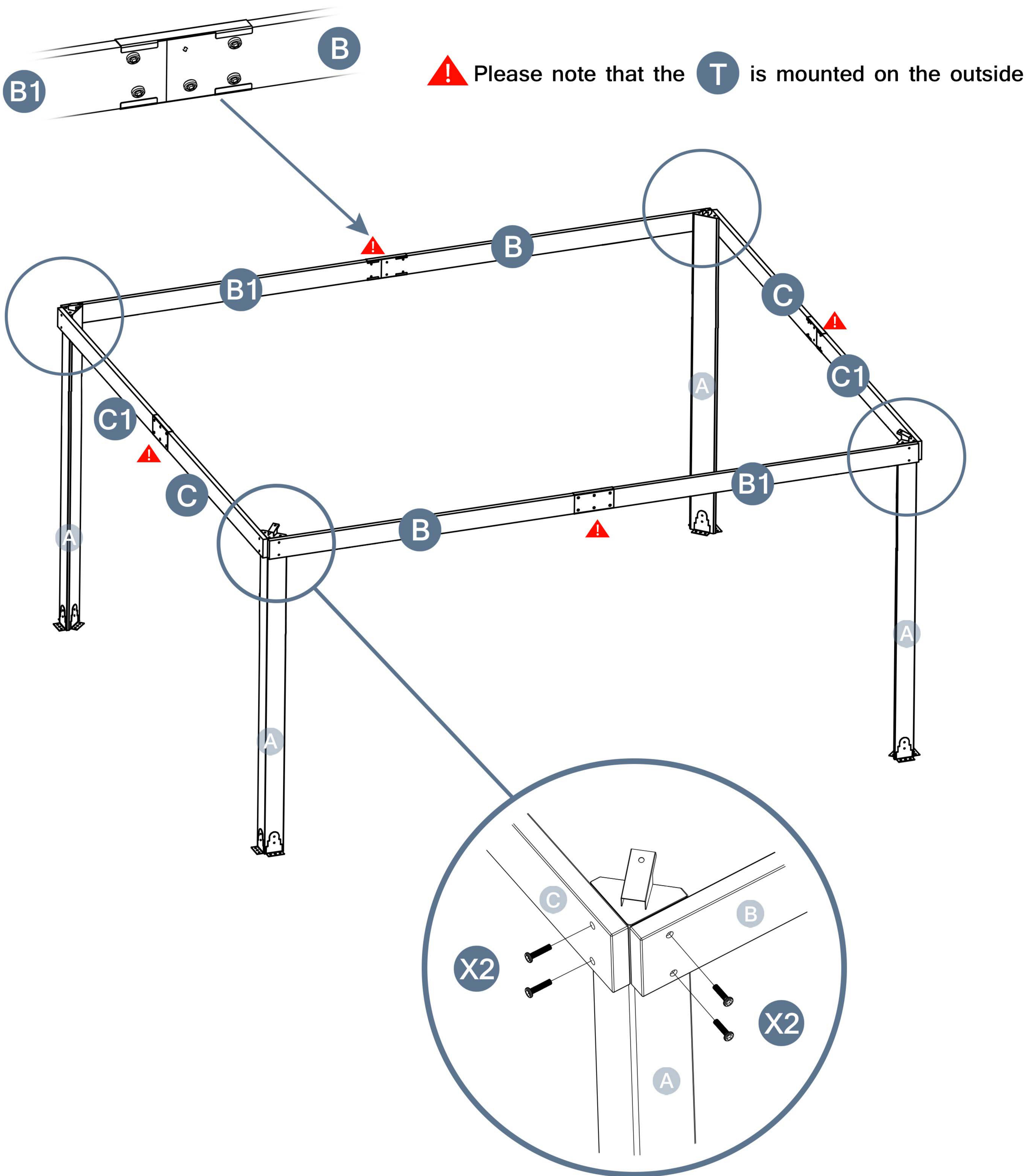
E-mail: cs.helper01@gmail.com

STEP 3

Parts required



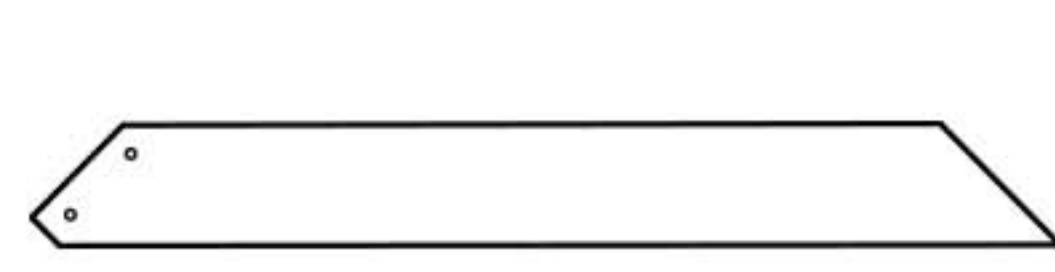
X2 16pcs



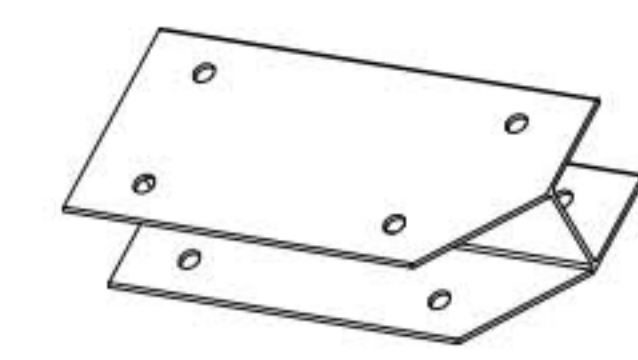
Please take care of the screws and contact the after-sales service if there is any problem with the installation or parts.

STEP 4

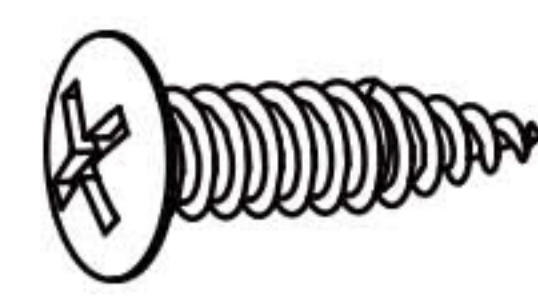
Parts required



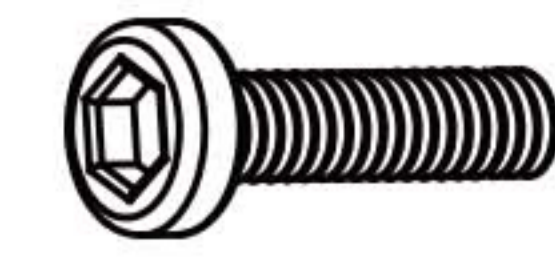
F 8pcs



R 8pcs



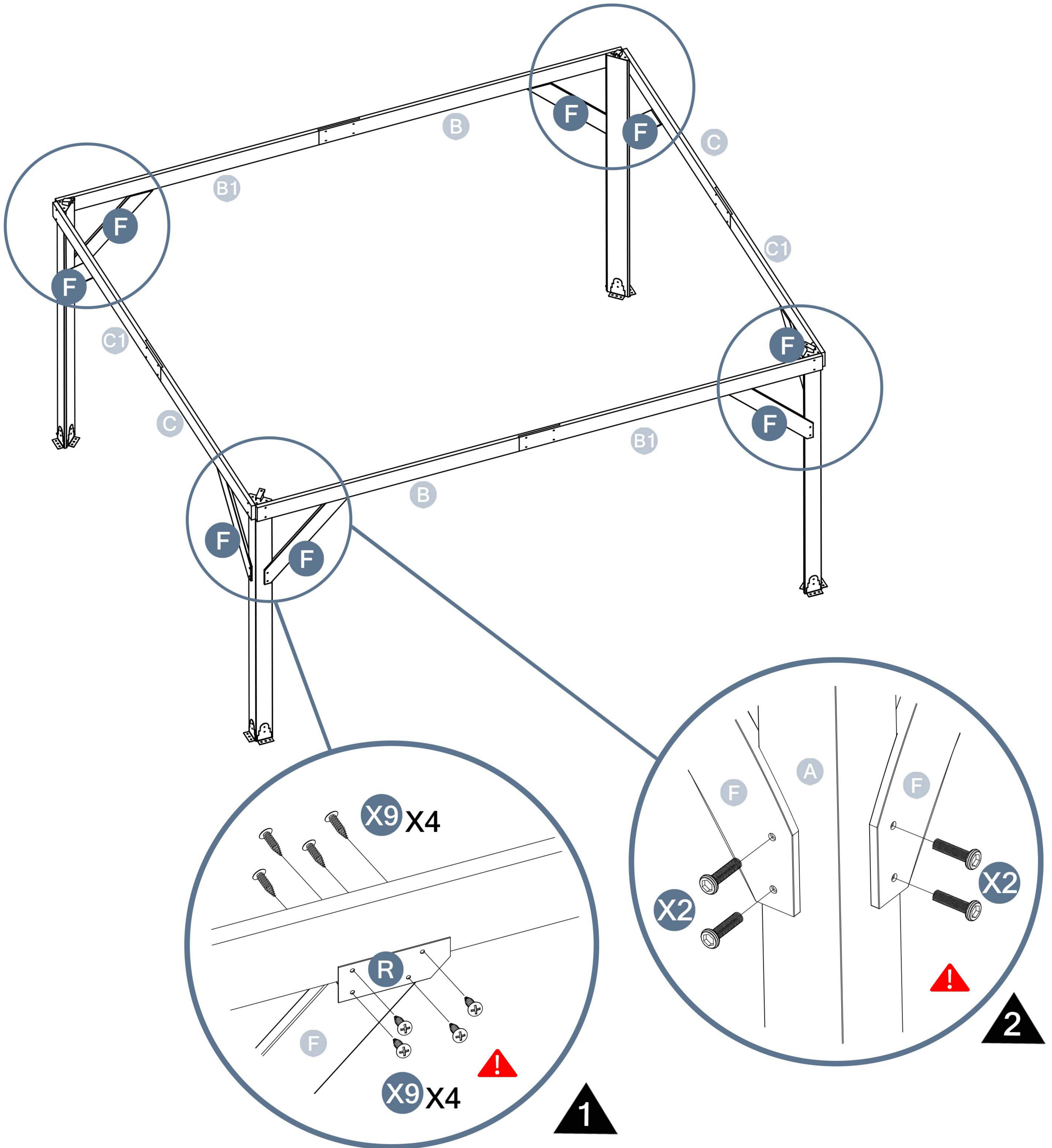
X9 64pcs



X2 16pcs

1 → 2

⚠ Please note that different screws are being used.

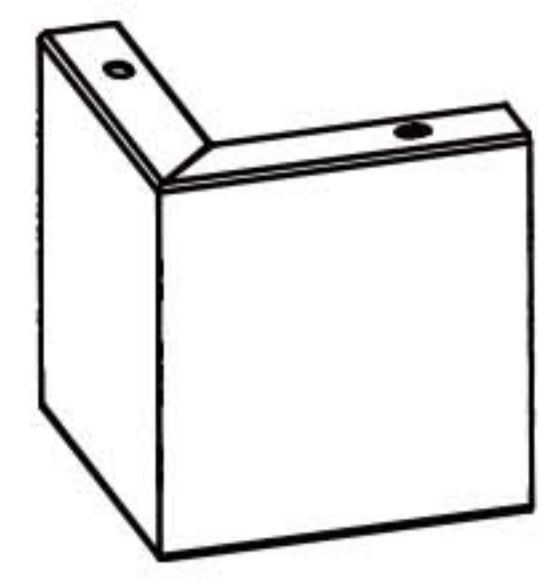


Please take care of the screws and contact the after-sales service if there is any problem with the installation or parts.

➔ ✉ E-mail: cs.helper01@gmail.com

STEP 5

Parts required



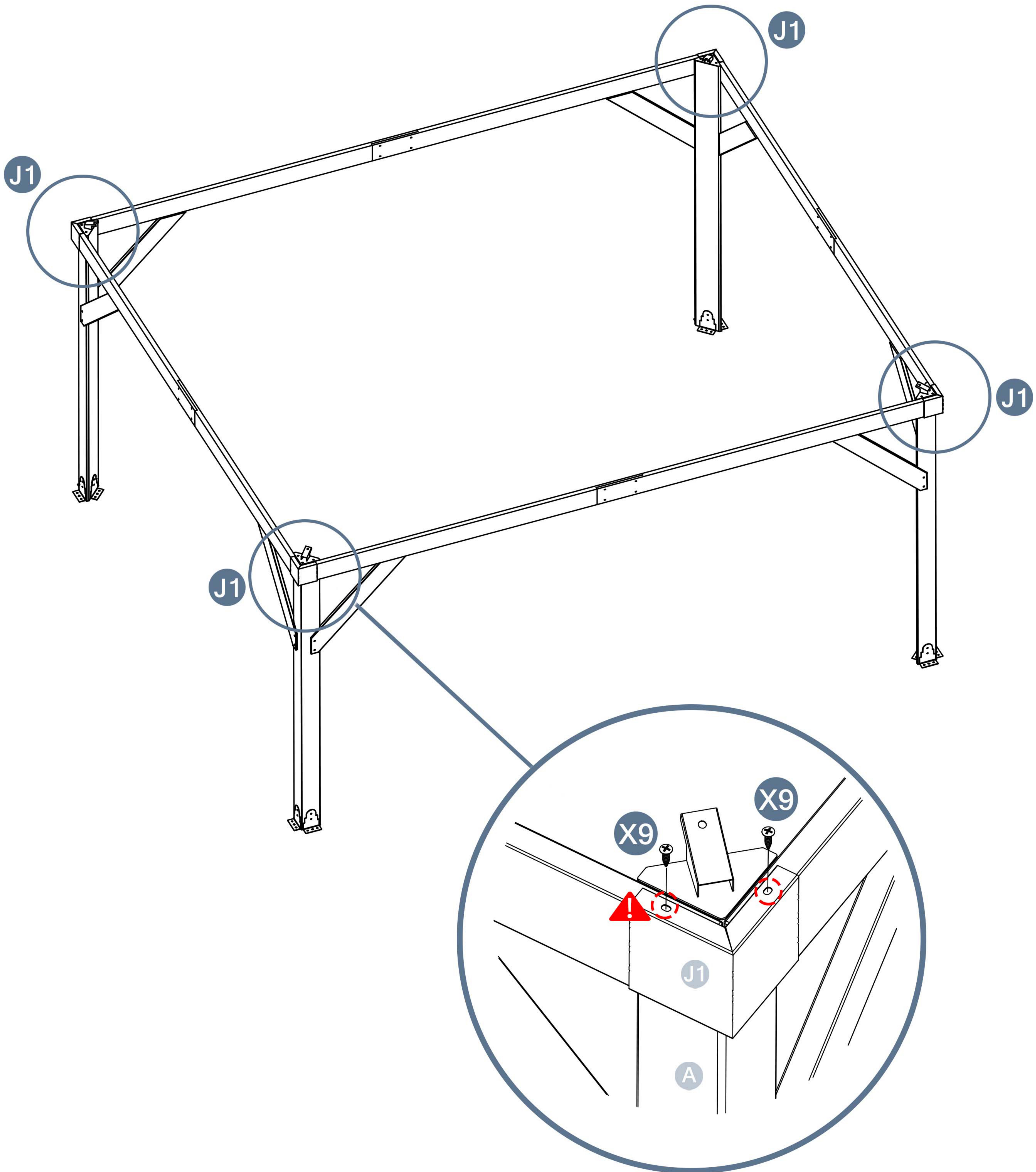
J1 4pcs



X9 8pcs



Please Note that the X9 circled in red is a self-tapping nail without hole, it can be directly tightened.

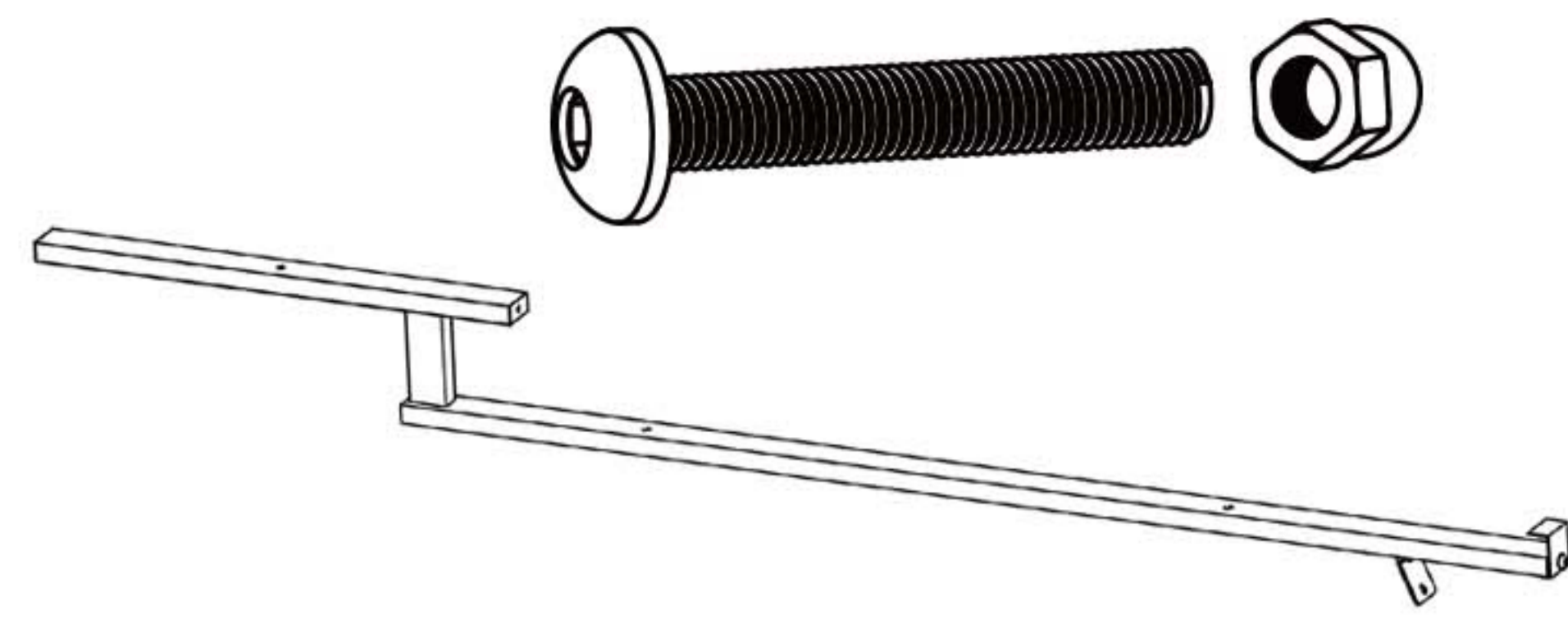


Please take care of the screws and contact the after-sales service if there is any problem with the installation or parts.

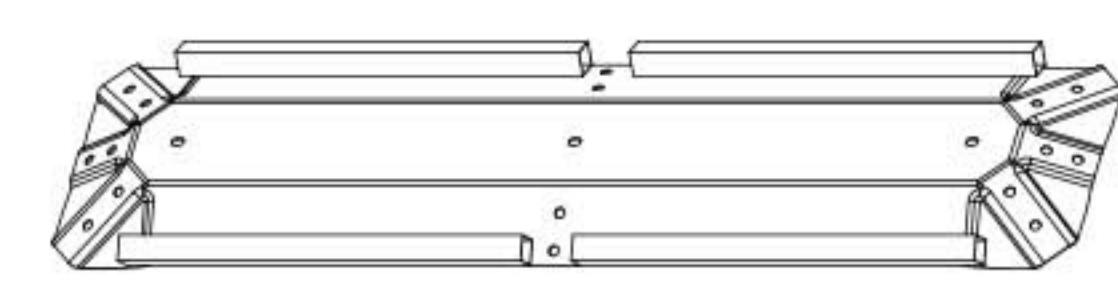


STEP 6

Parts required

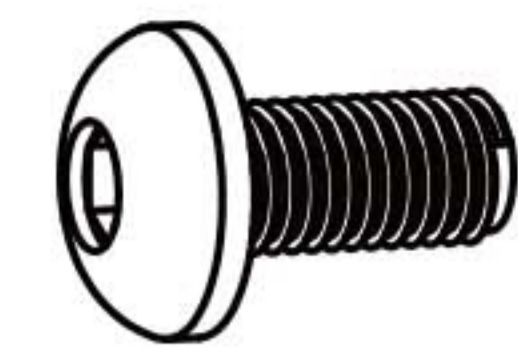


X7 4pcs

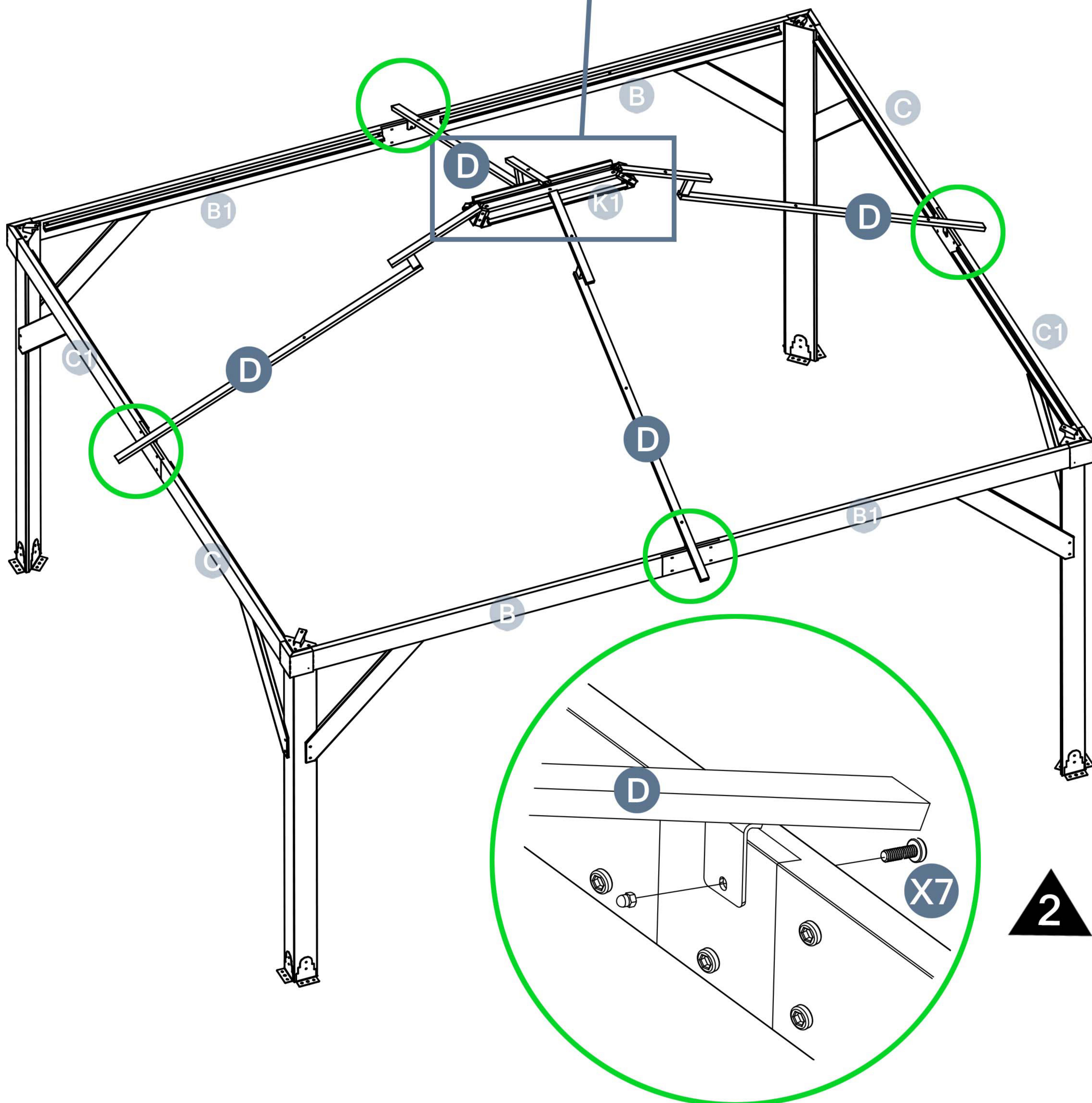
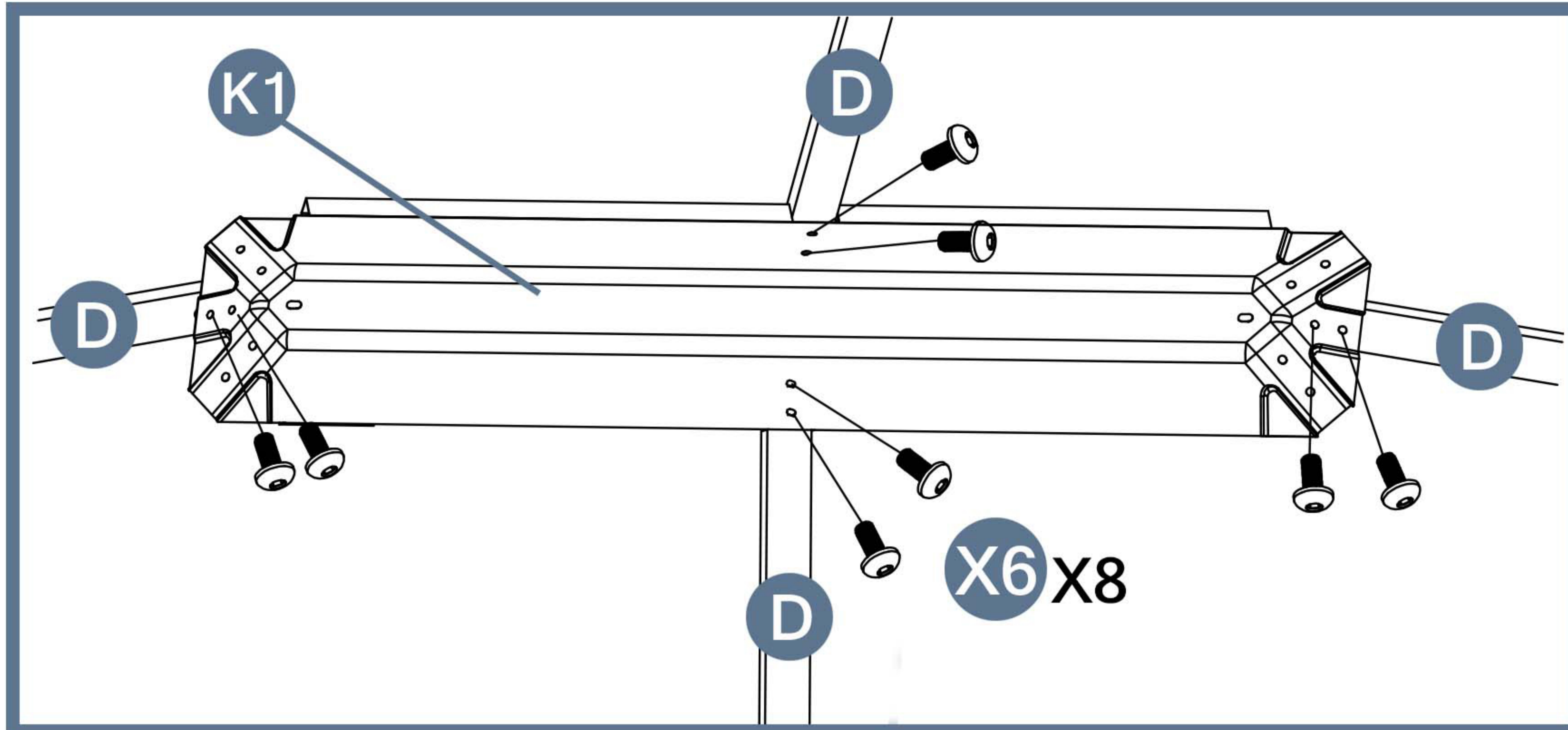
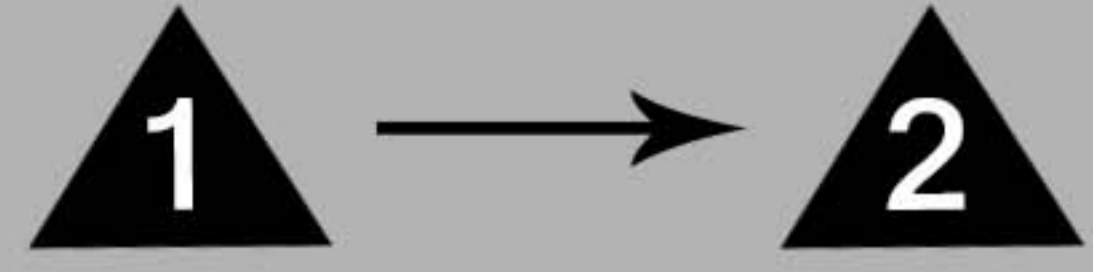


K1 1pcs

D 4pcs



X6 8pcs

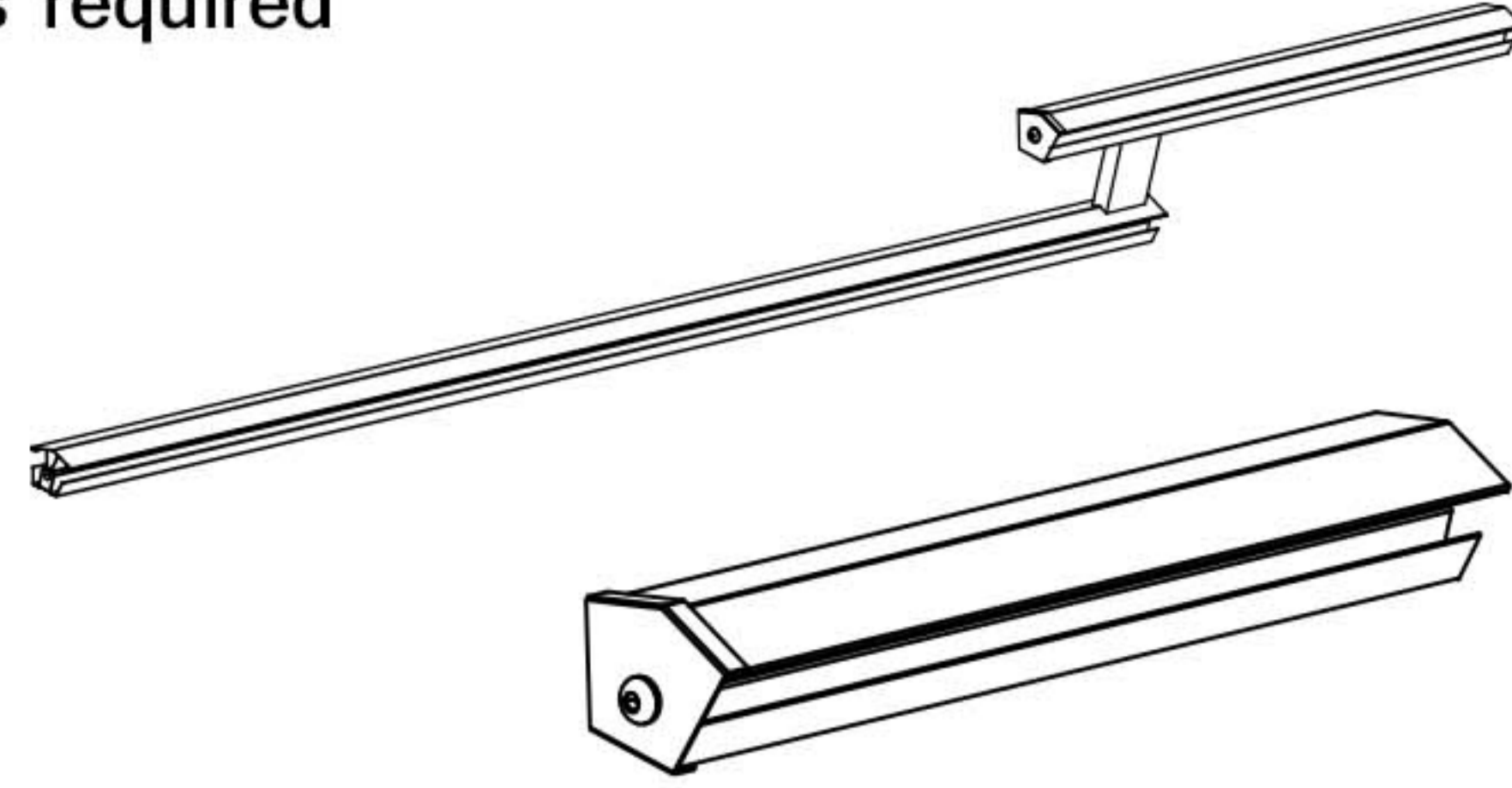


Please take care of the screws and contact the after-sales service if there is any problem with the installation or parts.

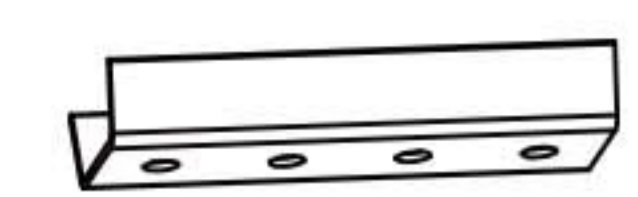
➔ ✉ E-mail: cs.helper01@gmail.com

STEP 7

Parts required



E 4pcs



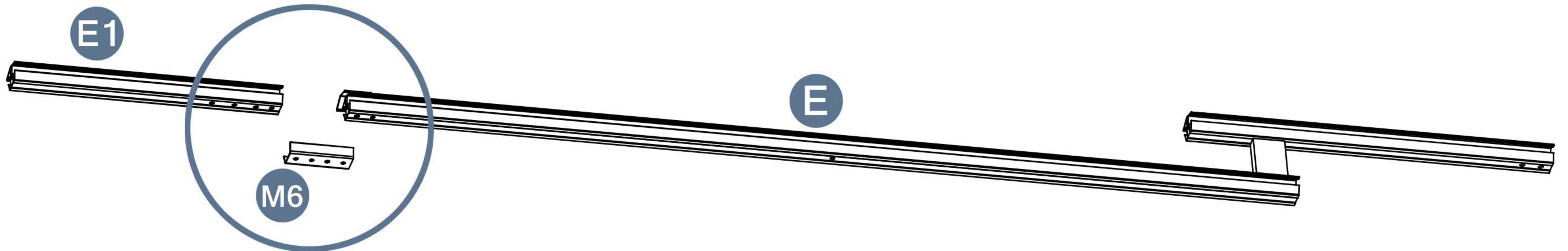
M6 4pcs

E1 4pcs

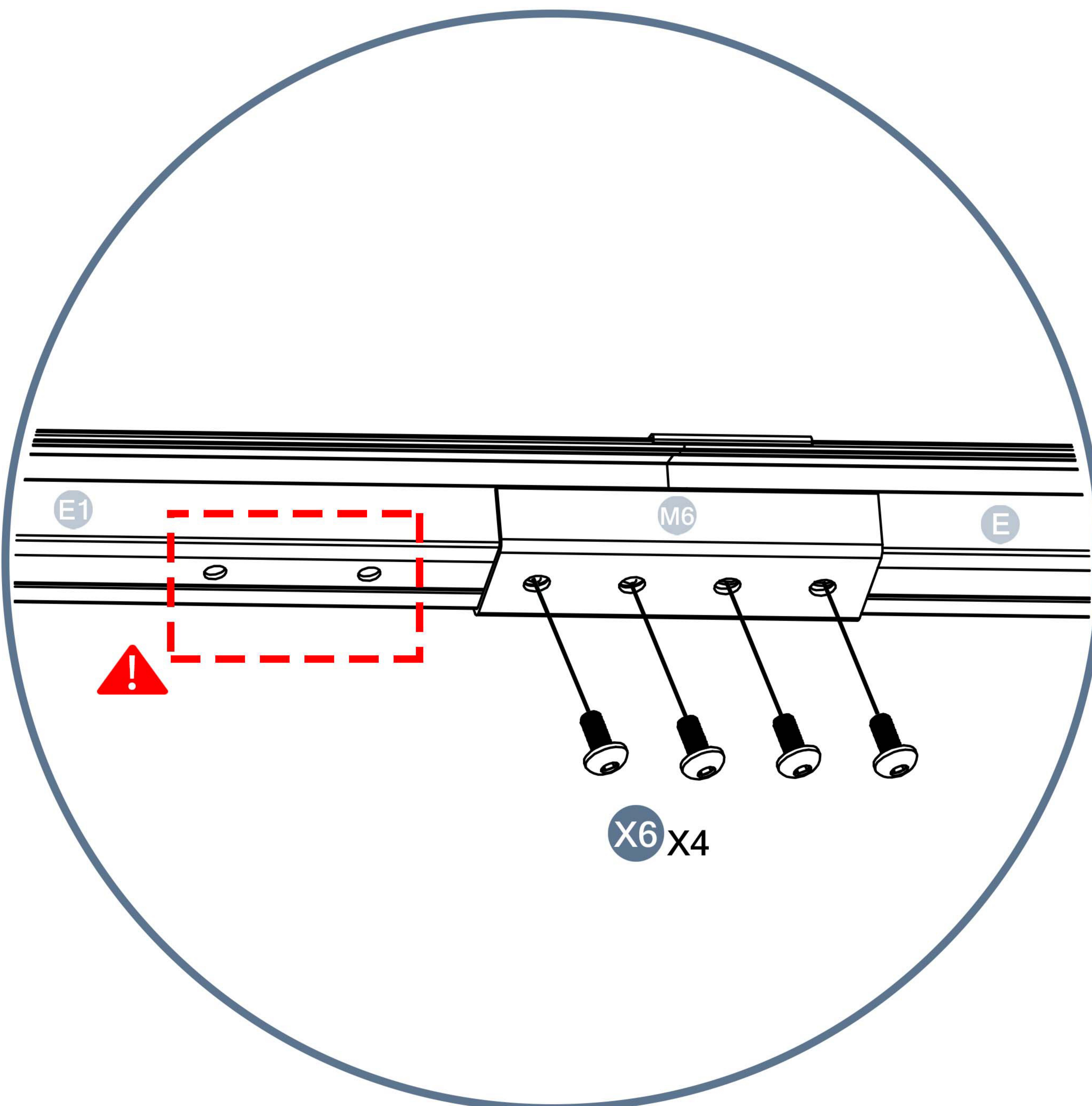


X6 16pcs

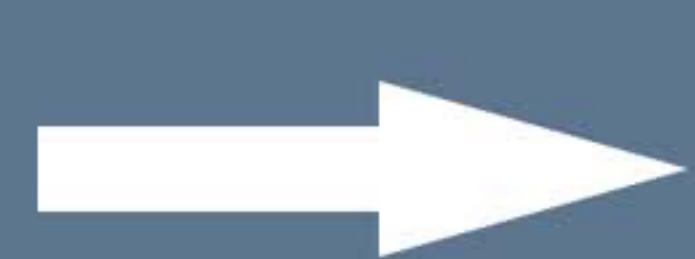
 Do not screw and tighten the **E1** pipe in the red dotted box.



X4

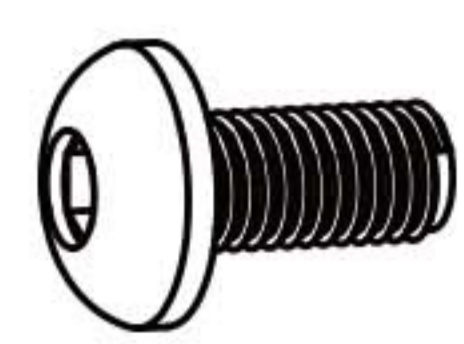


Please take care of the screws and contact the after-sales service if there is any problem with the installation or parts.



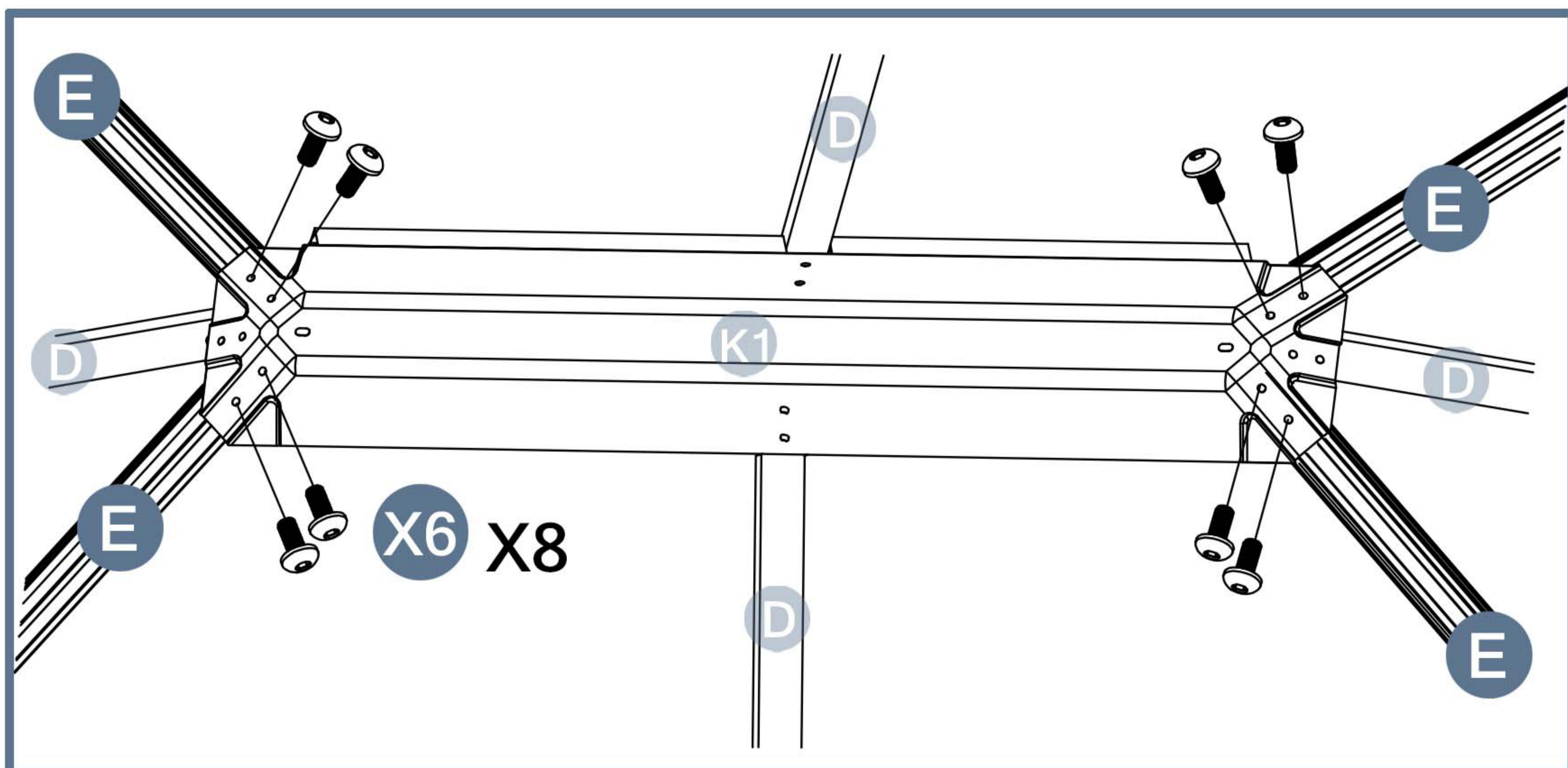
STEP 8

Parts required

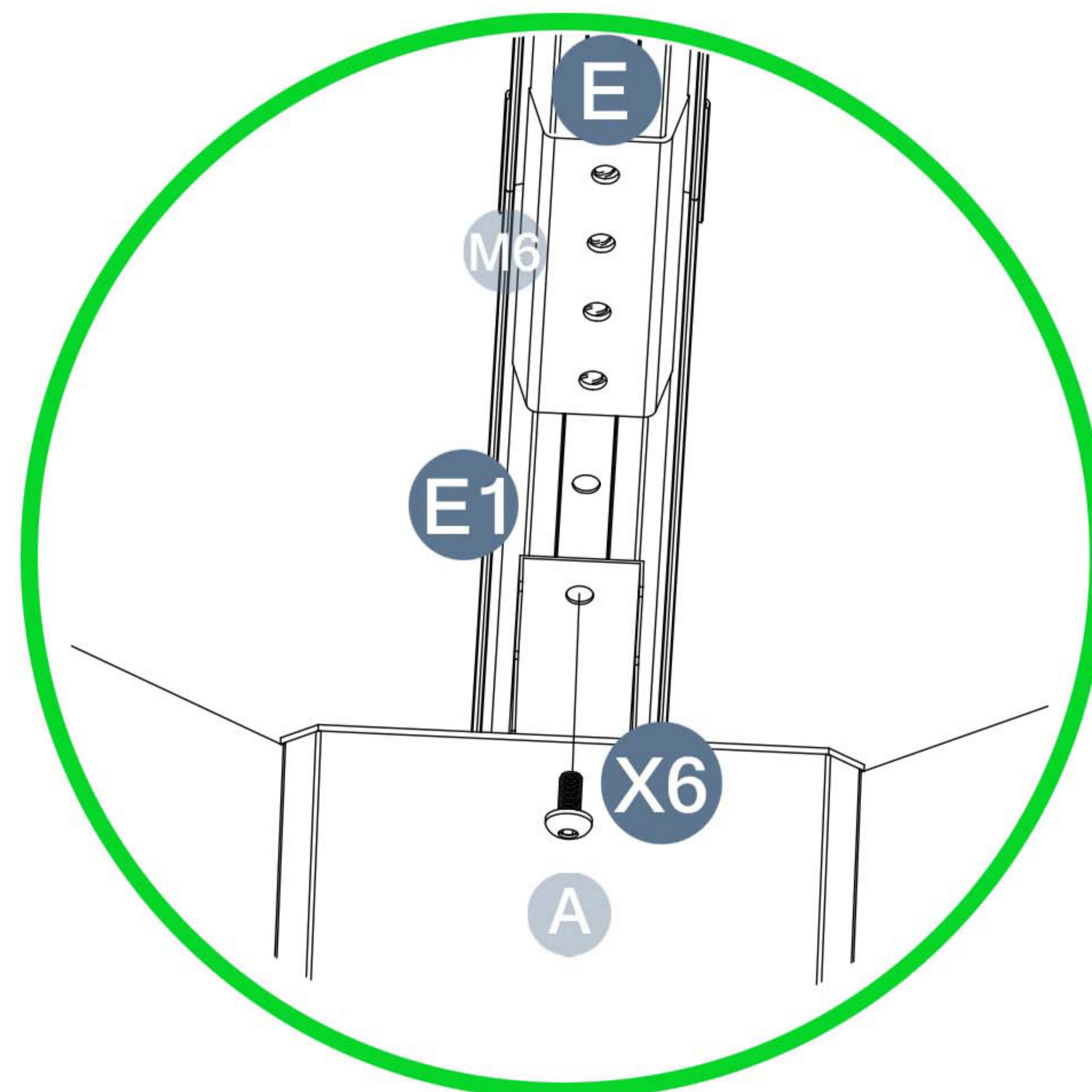


X6 12pcs

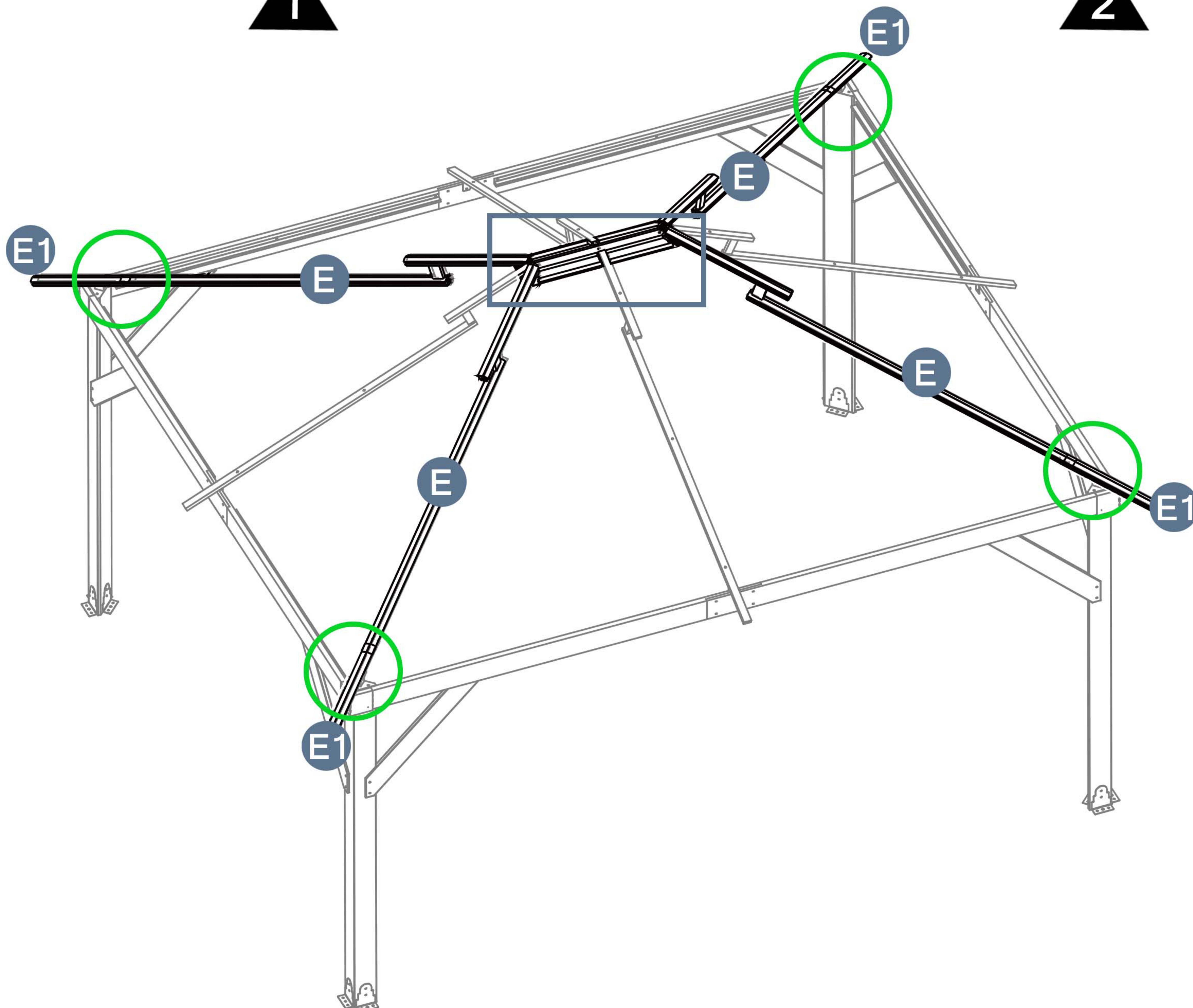
1 → 2



1



2



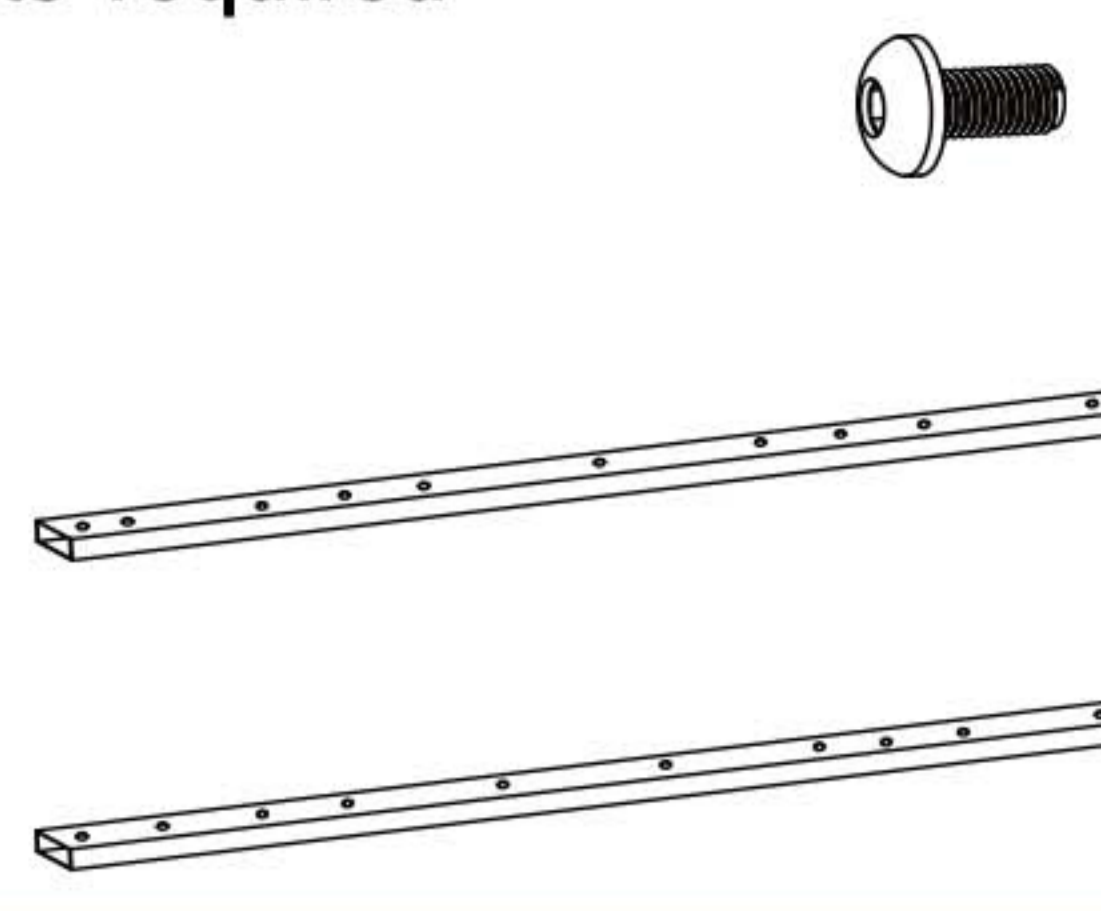
Please take care of the screws and contact the after-sales service if there is any problem with the installation or parts.



E-mail: cs.helper01@gmail.com

STEP 9

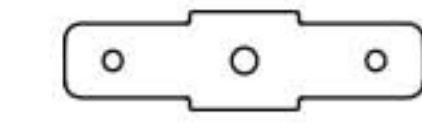
Parts required



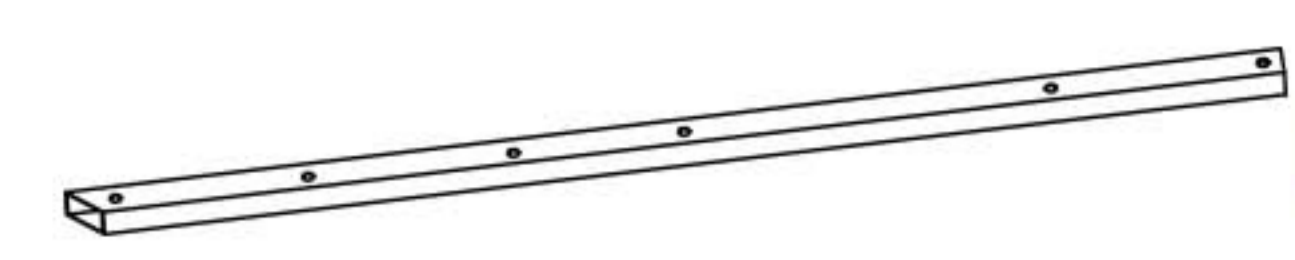
X6 16pcs

H 4pcs

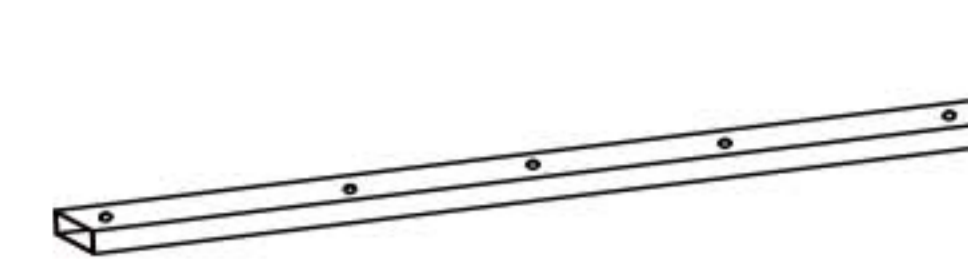
H2 4pcs



M3 8pcs

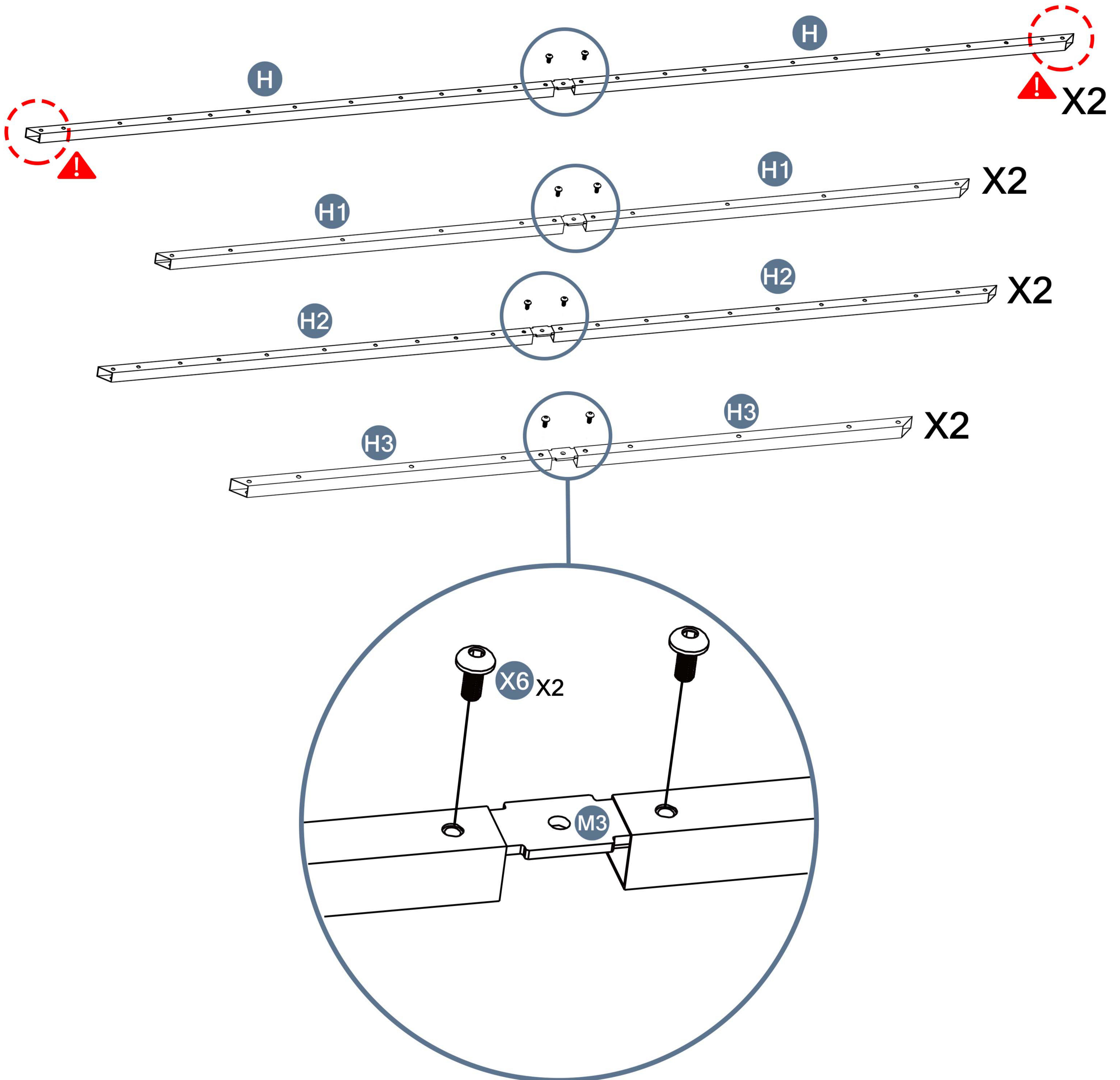


H1 4pcs



H3 4pcs

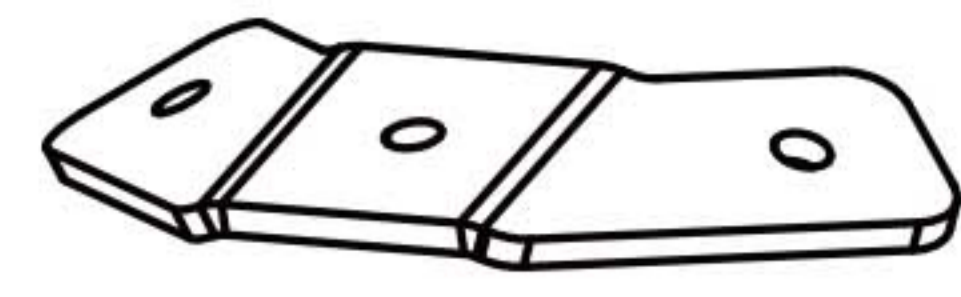
⚠ Part H、Part H1、Part H2 and Part H3 should be placed as shown in the picture.



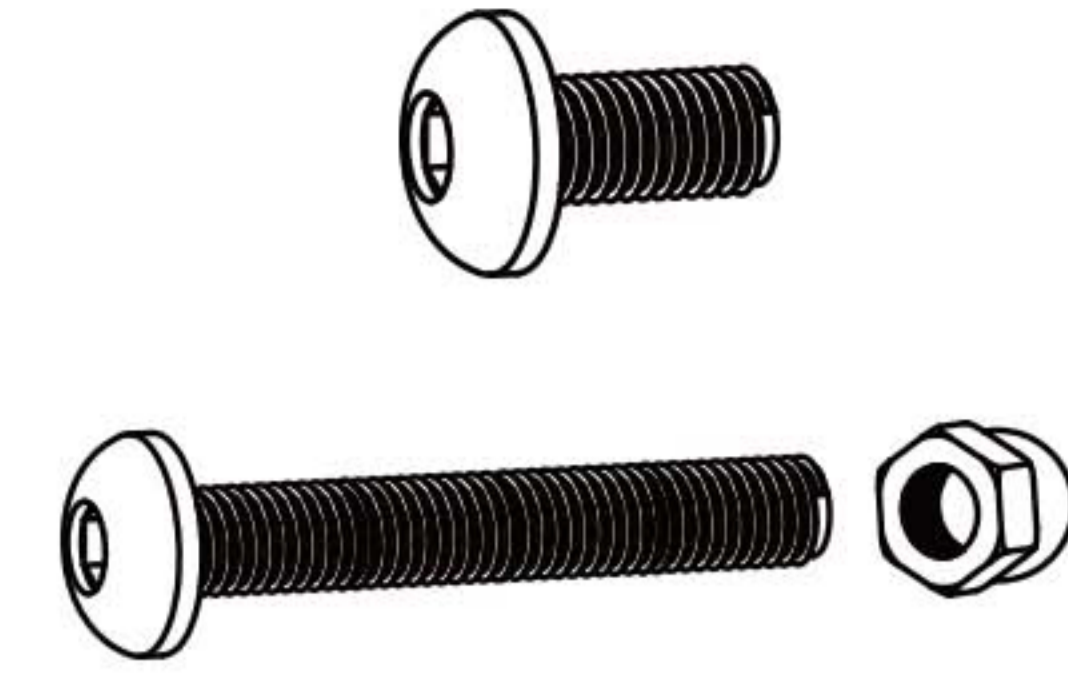
Please take care of the screws and contact the after-sales service if there is any problem with the installation or parts.

STEP 10

Parts required

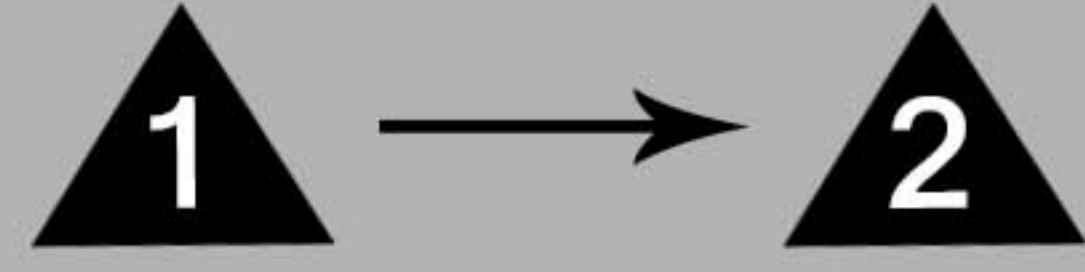


M4 8pcs



X6 24pcs

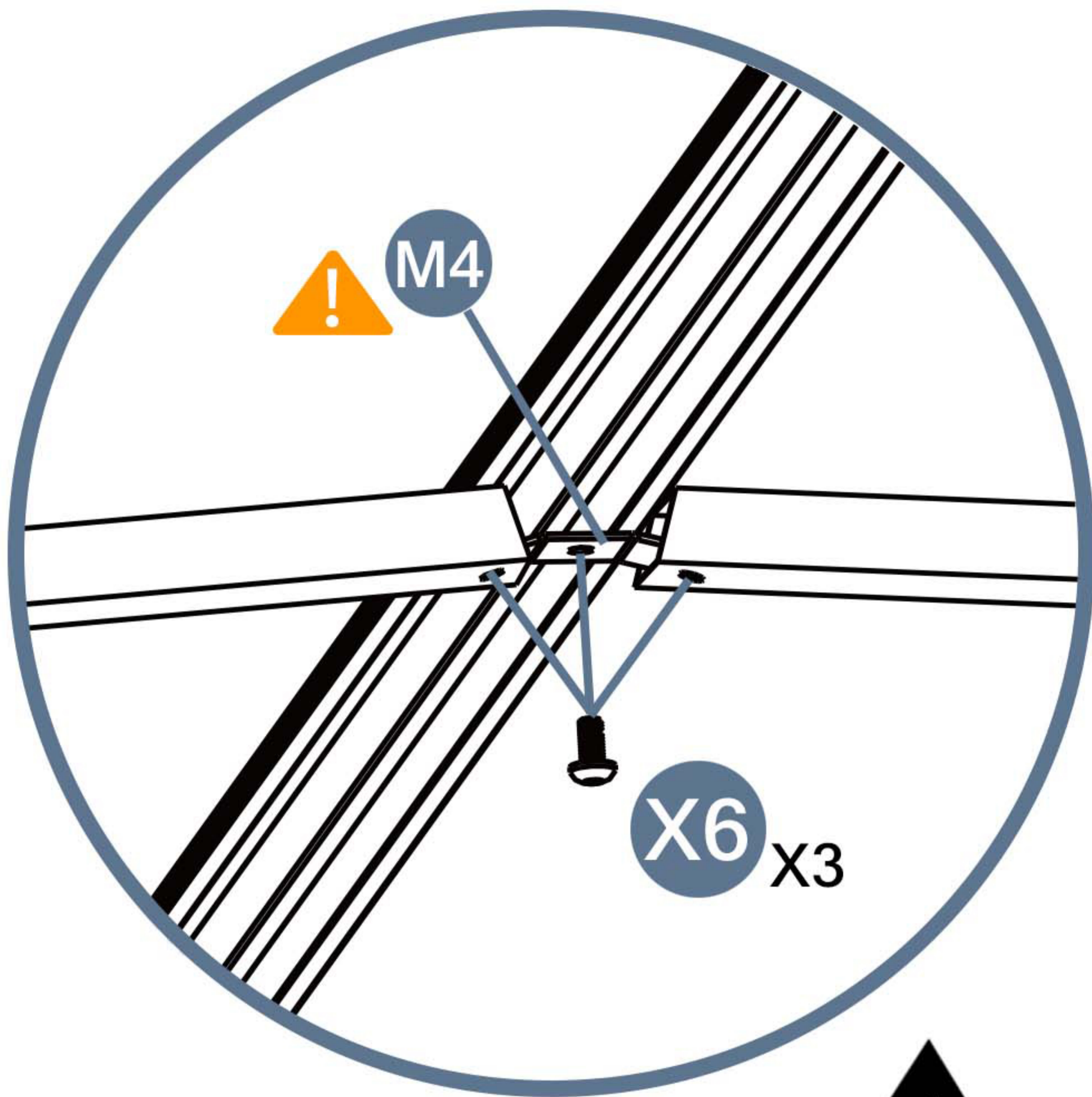
X7 8pcs



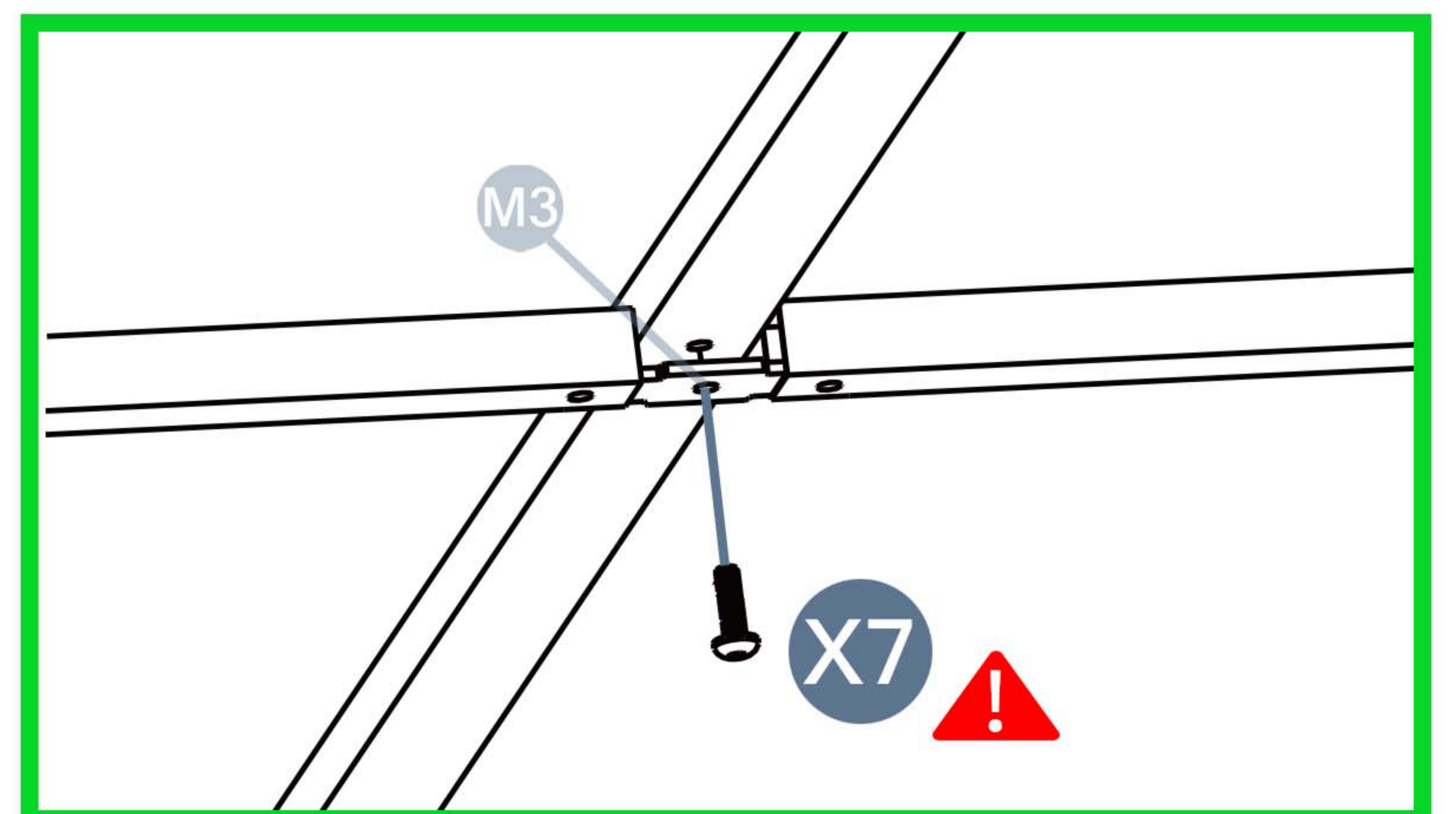
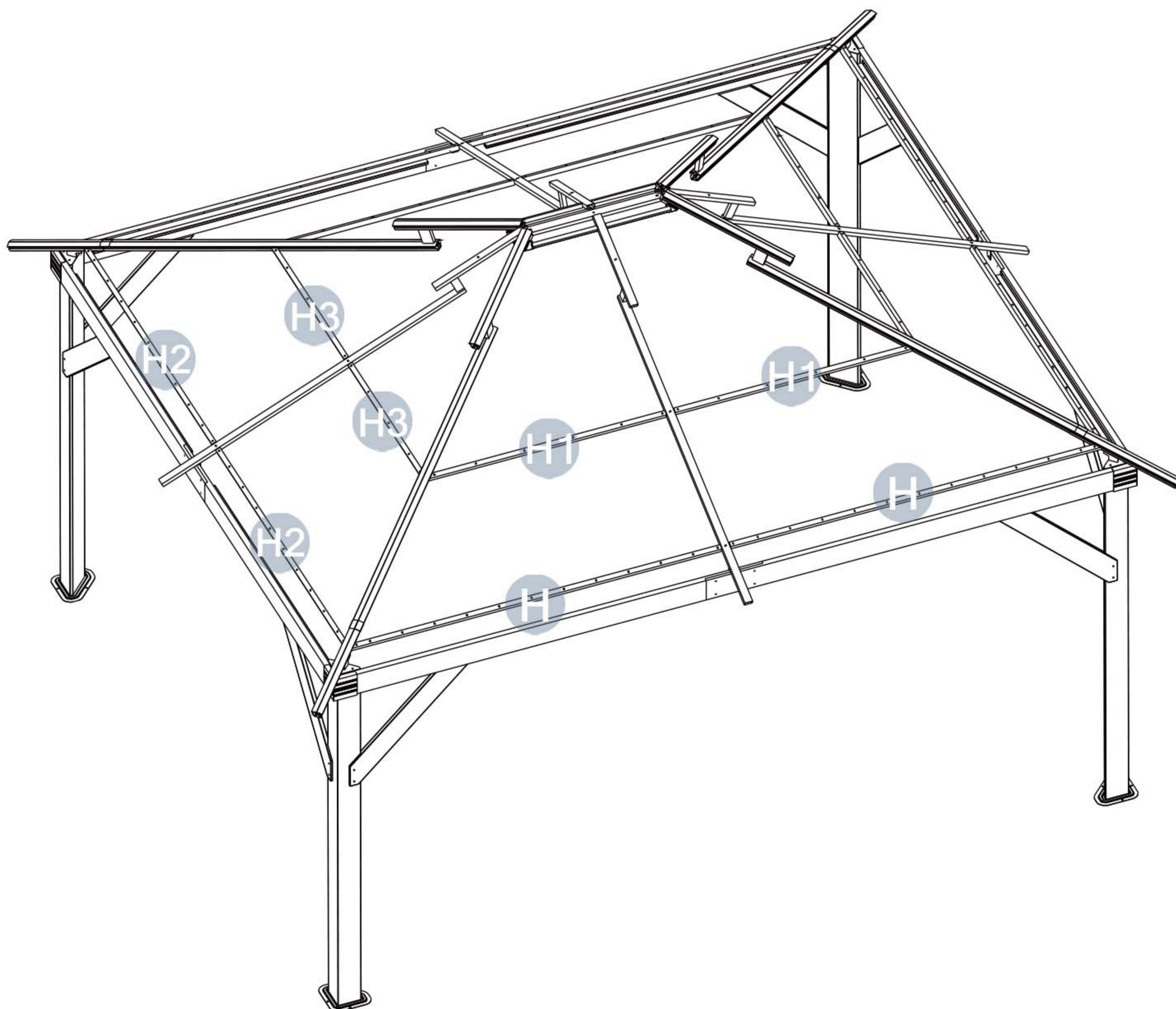
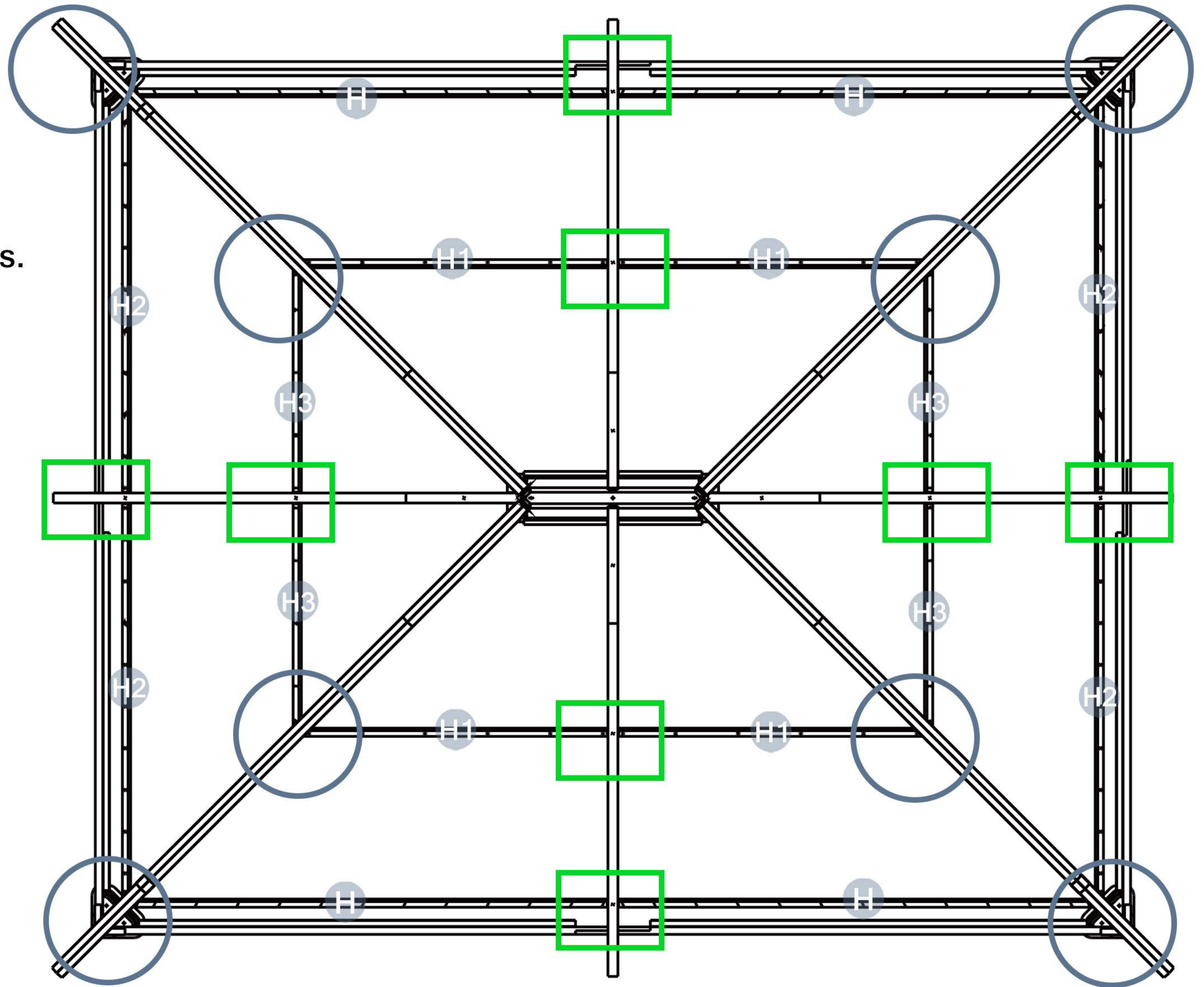
⚠ Only X7 screws are used in this step. Please store the X7 nuts. Steps 14 and 15 will be used. To better align the screws for practical situations, do not fully tighten screws initially.



M4 needs to be inserted into both tubes, aligned with the holes.



1



2

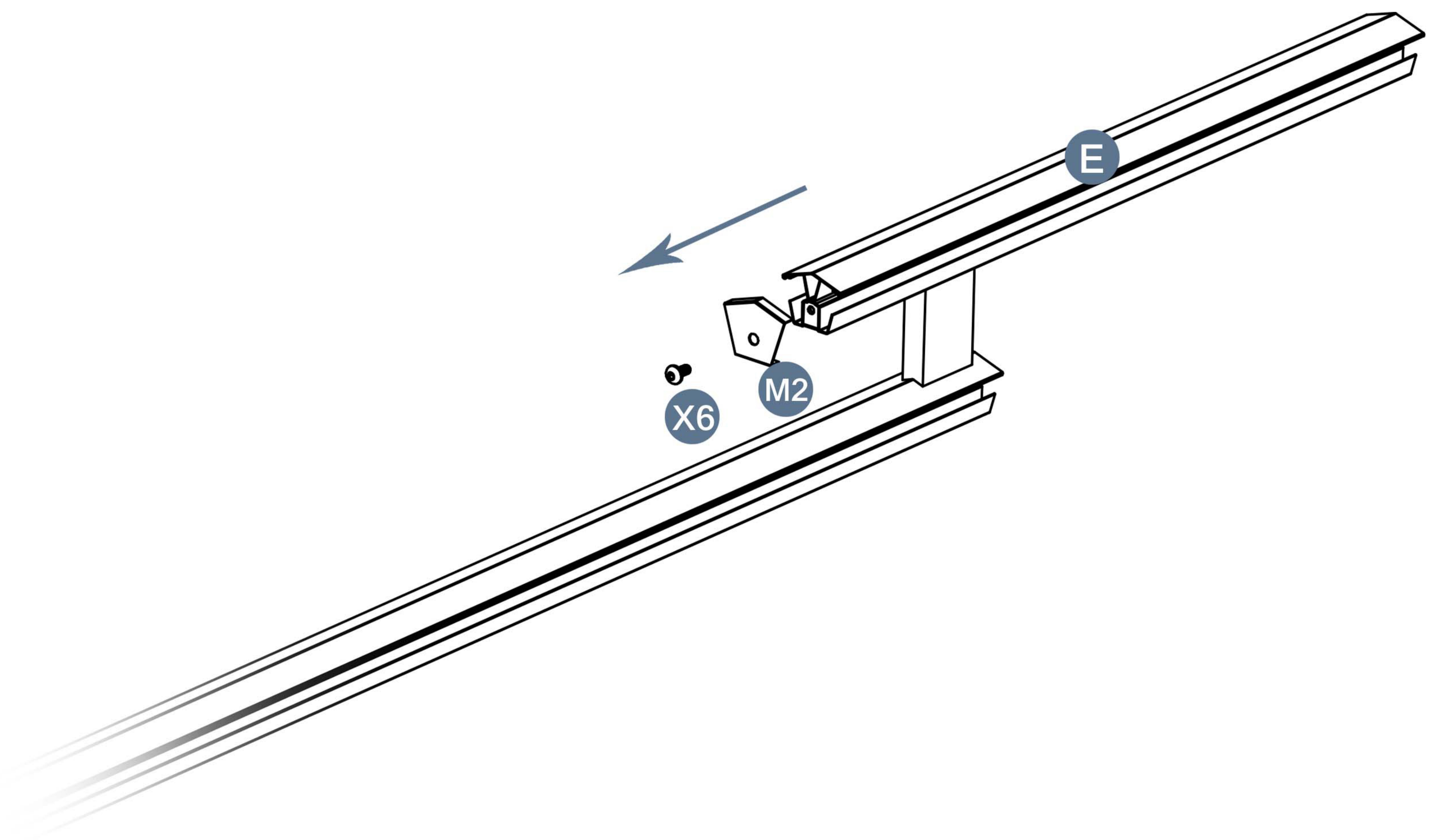
Please take care of the screws and contact the after-sales service if there is any problem with the installation or parts.



E-mail: cs.helper01@gmail.com

To prevent the loss of M2
we mounted the M2 on top of the E ahead of time

Before installing step 11, please remove the 4 M2's from the
part E. (Reinstall them during step 12) .

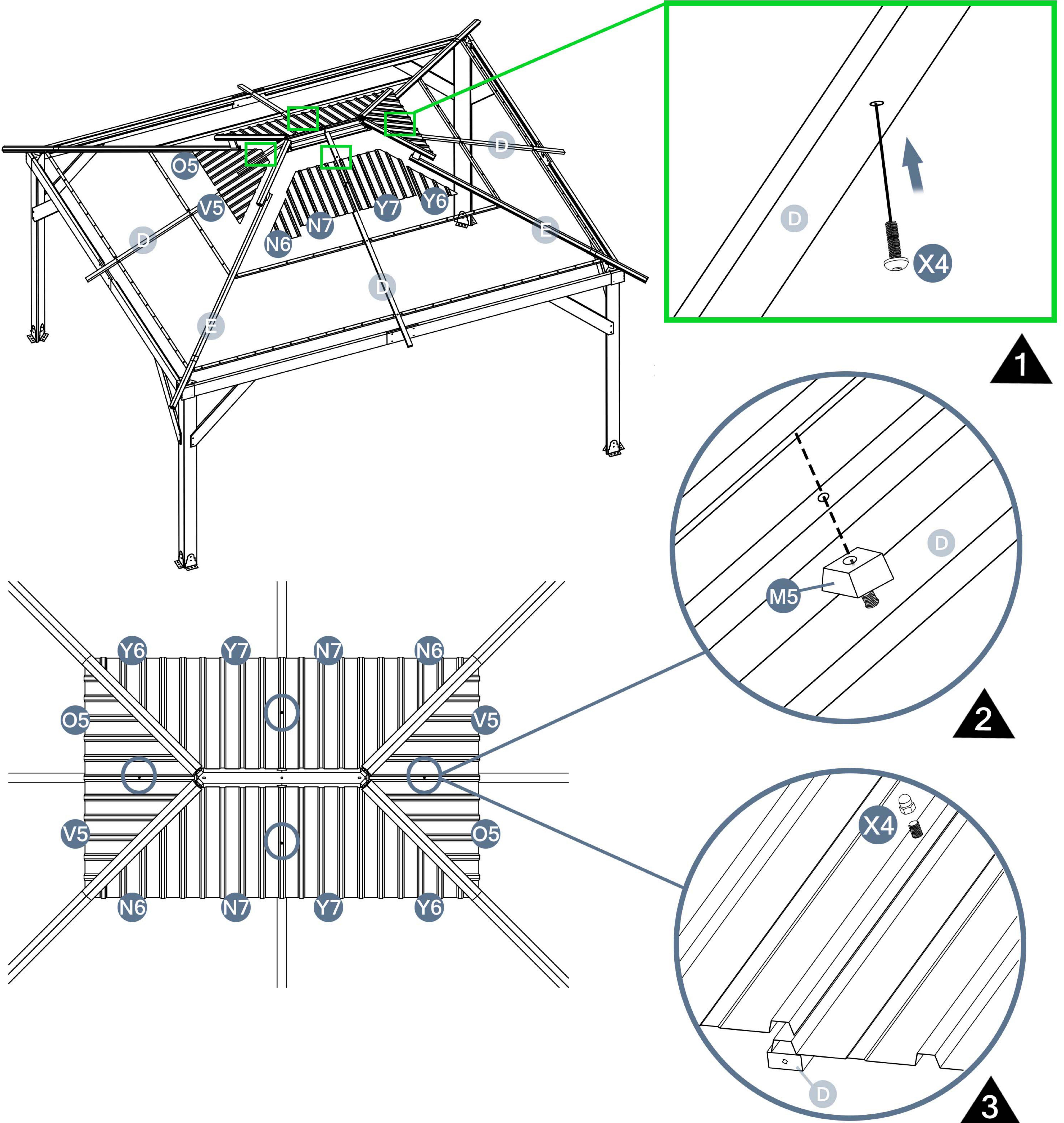
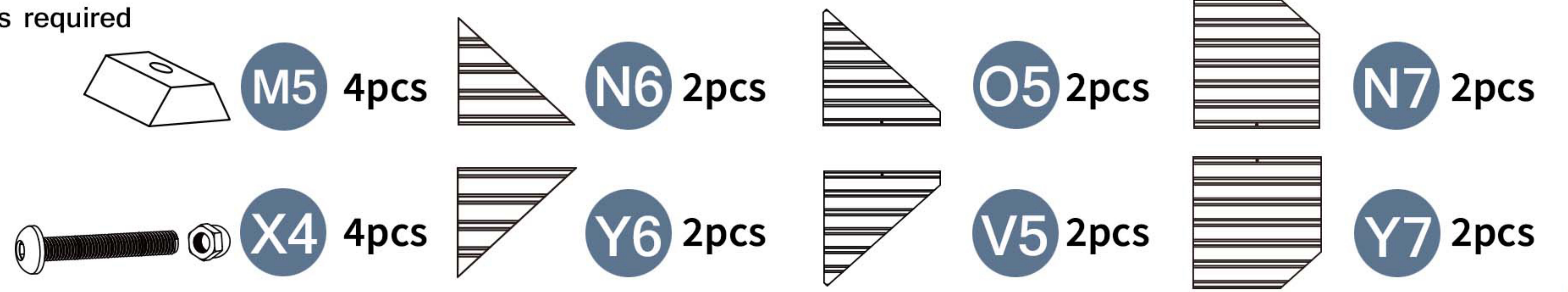


Please take care of the screws and contact the after-sales service if there is any problem with the installation or parts.

➔ ✉ E-mail: cs.helper01@gmail.com

STEP 11

Parts required

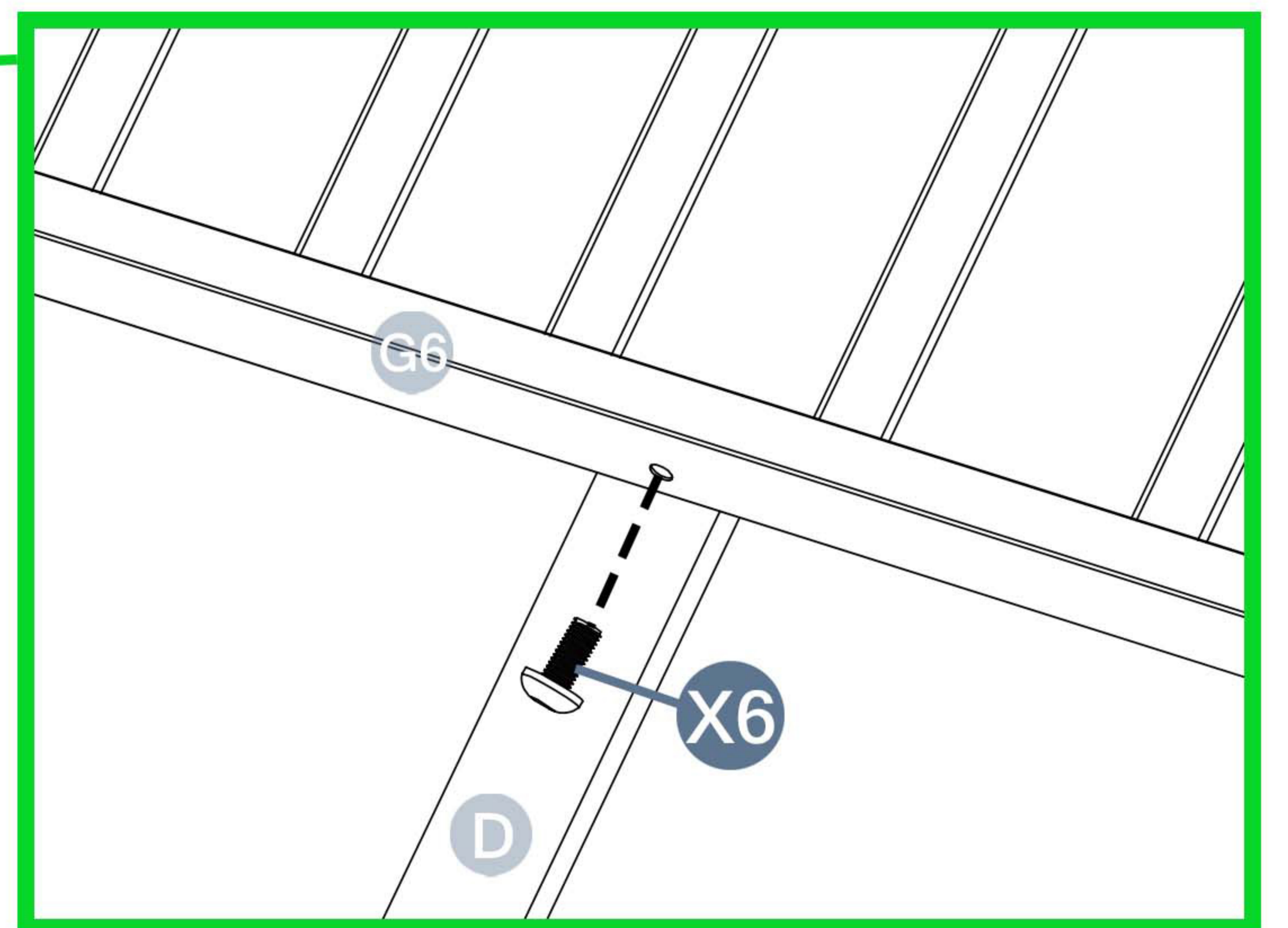
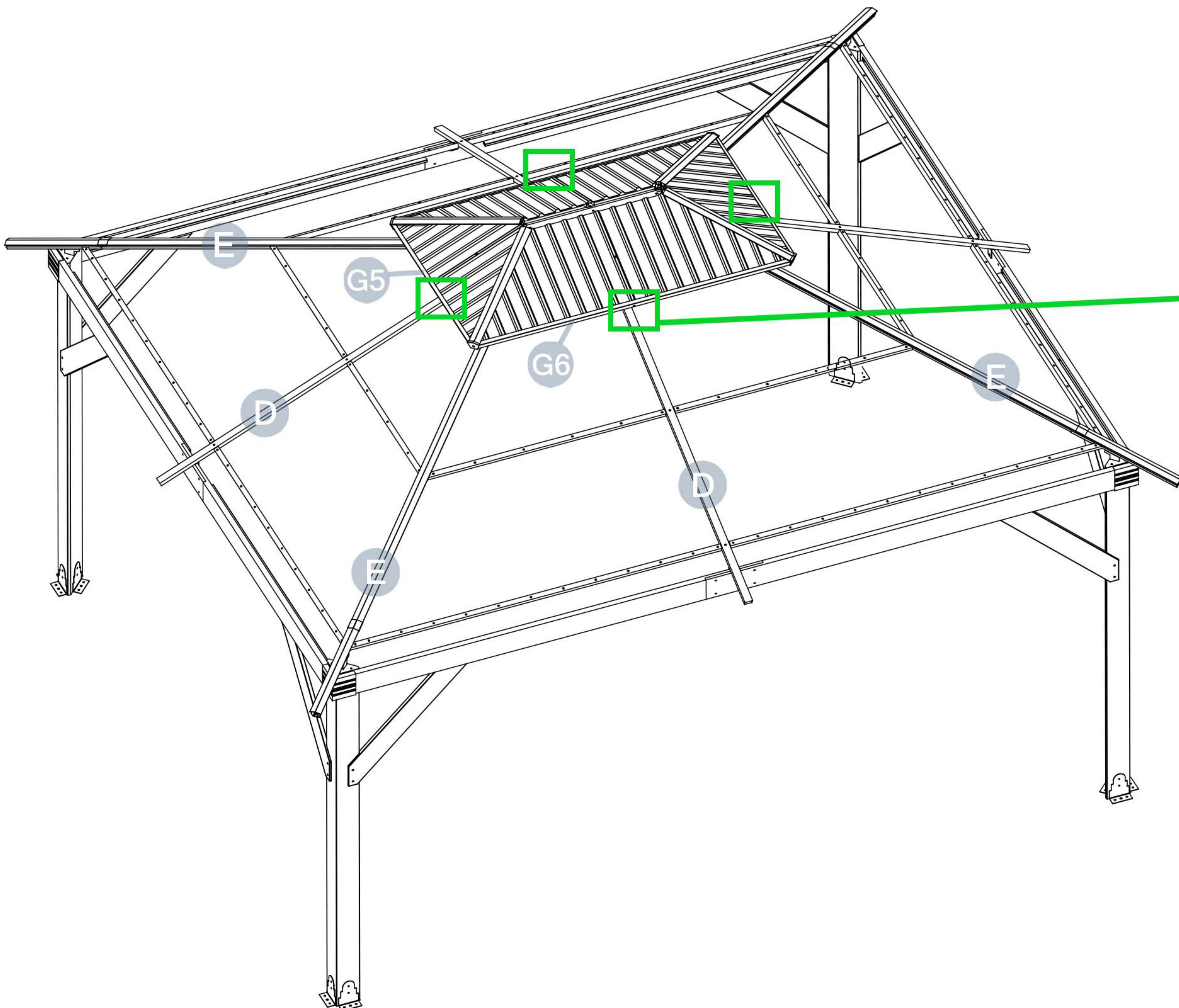
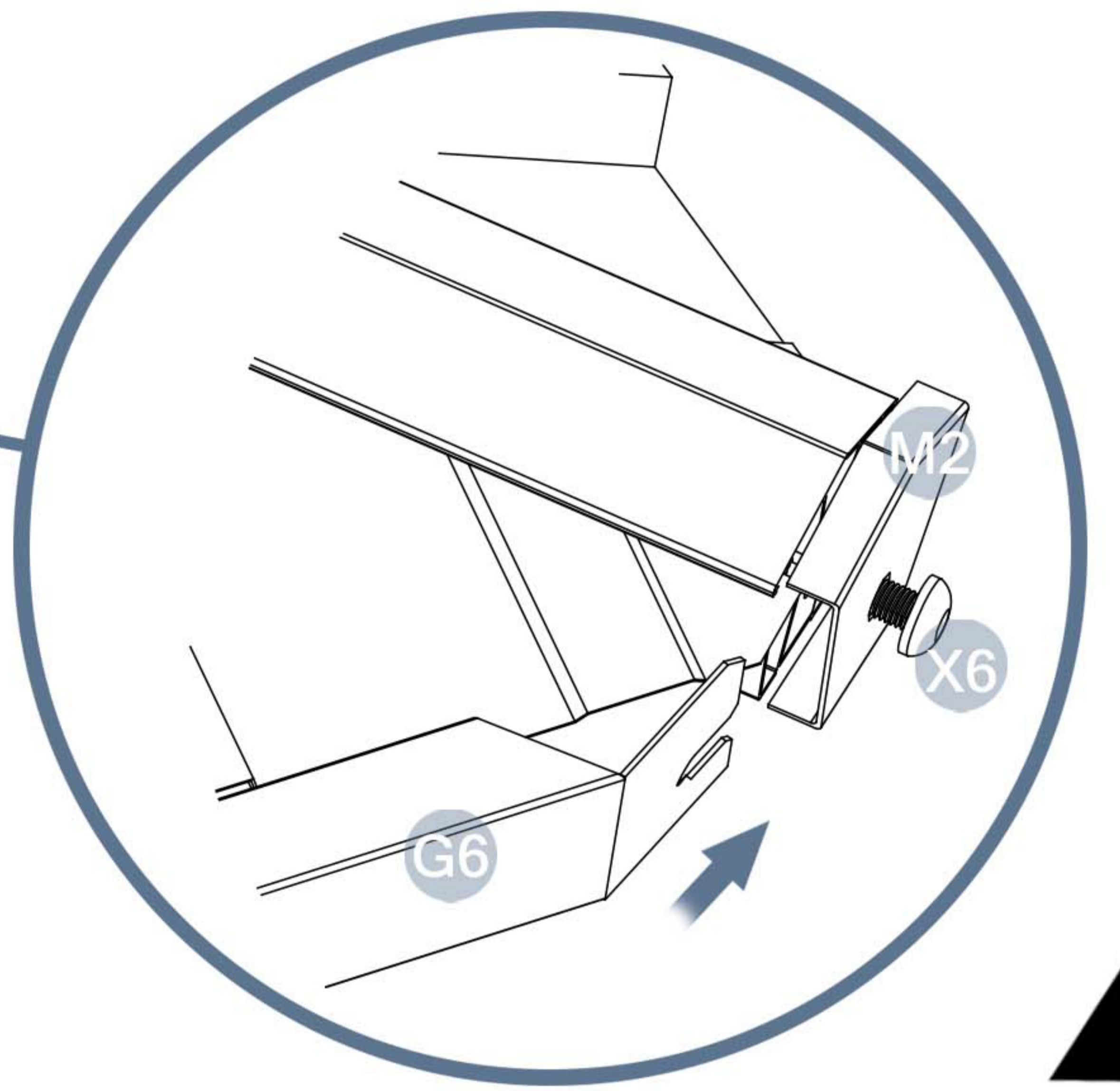
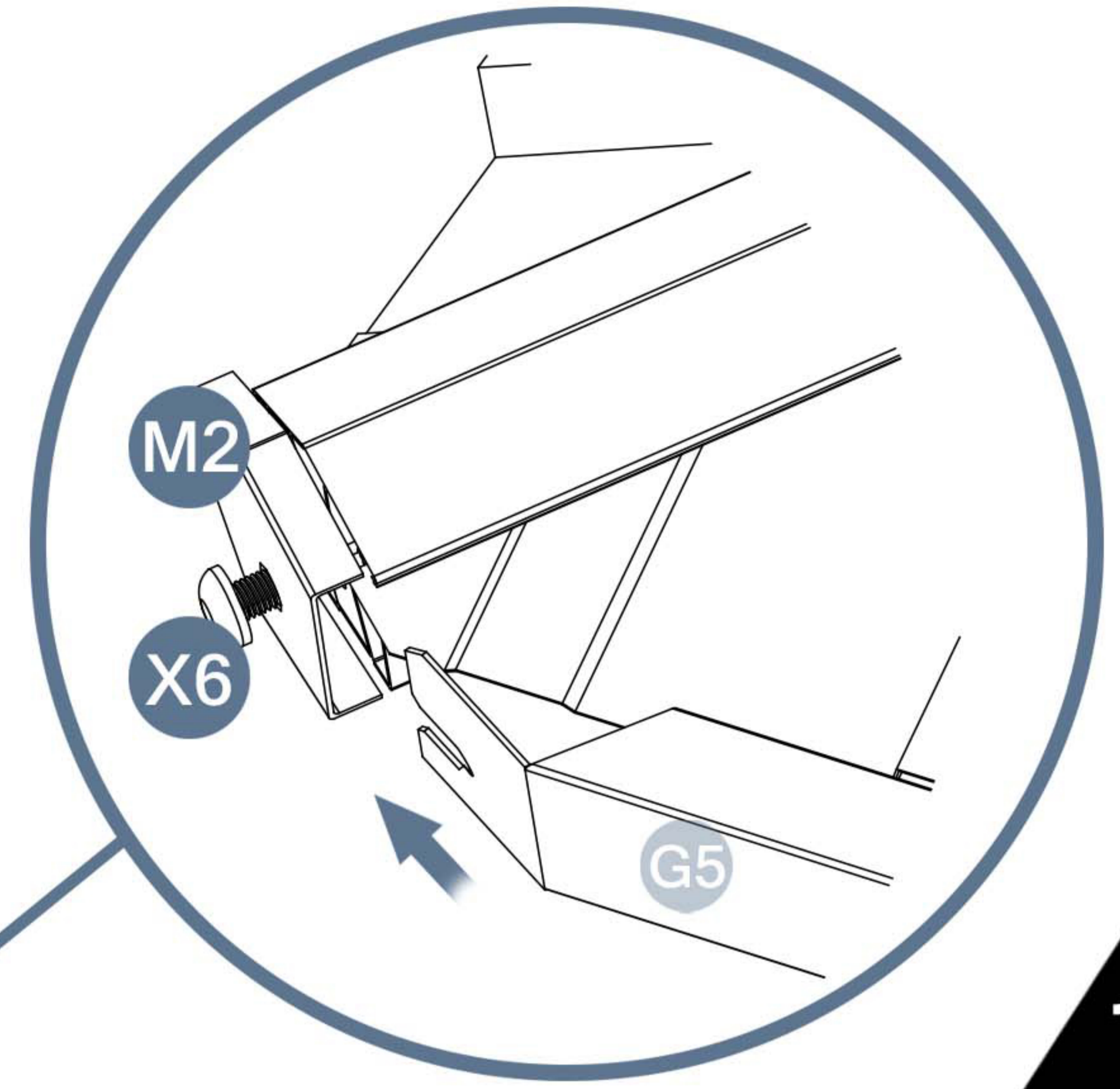
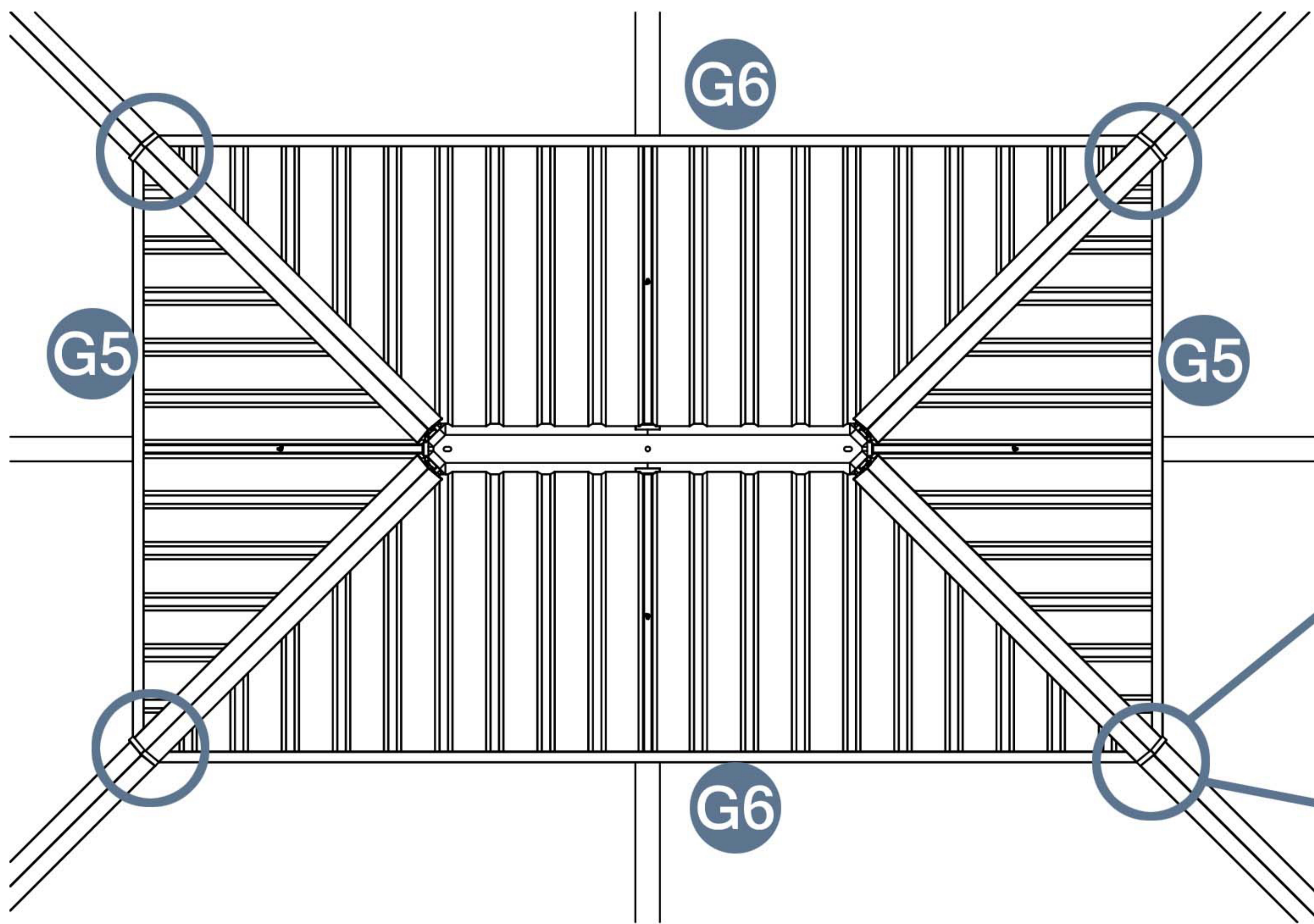


Please take care of the screws and contact the after-sales service if there is any problem with the installation or parts.

➔ ✉ E-mail: cs.helper01@gmail.com

STEP 12

Parts required

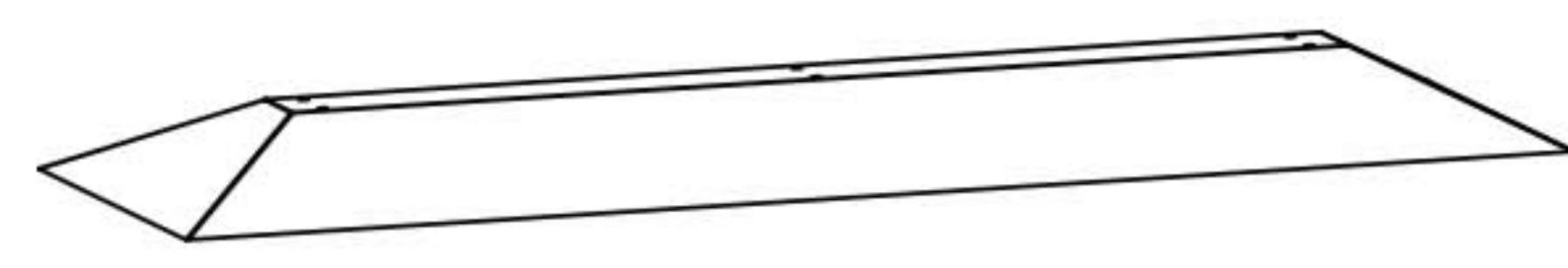


Please take care of the screws and contact the after-sales service if there is any problem with the installation or parts.



STEP 13

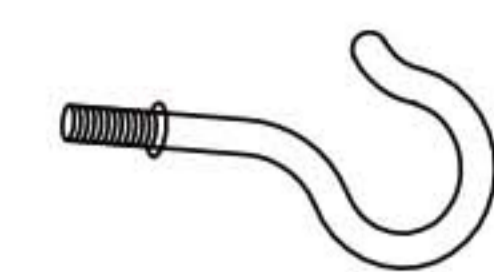
Parts required



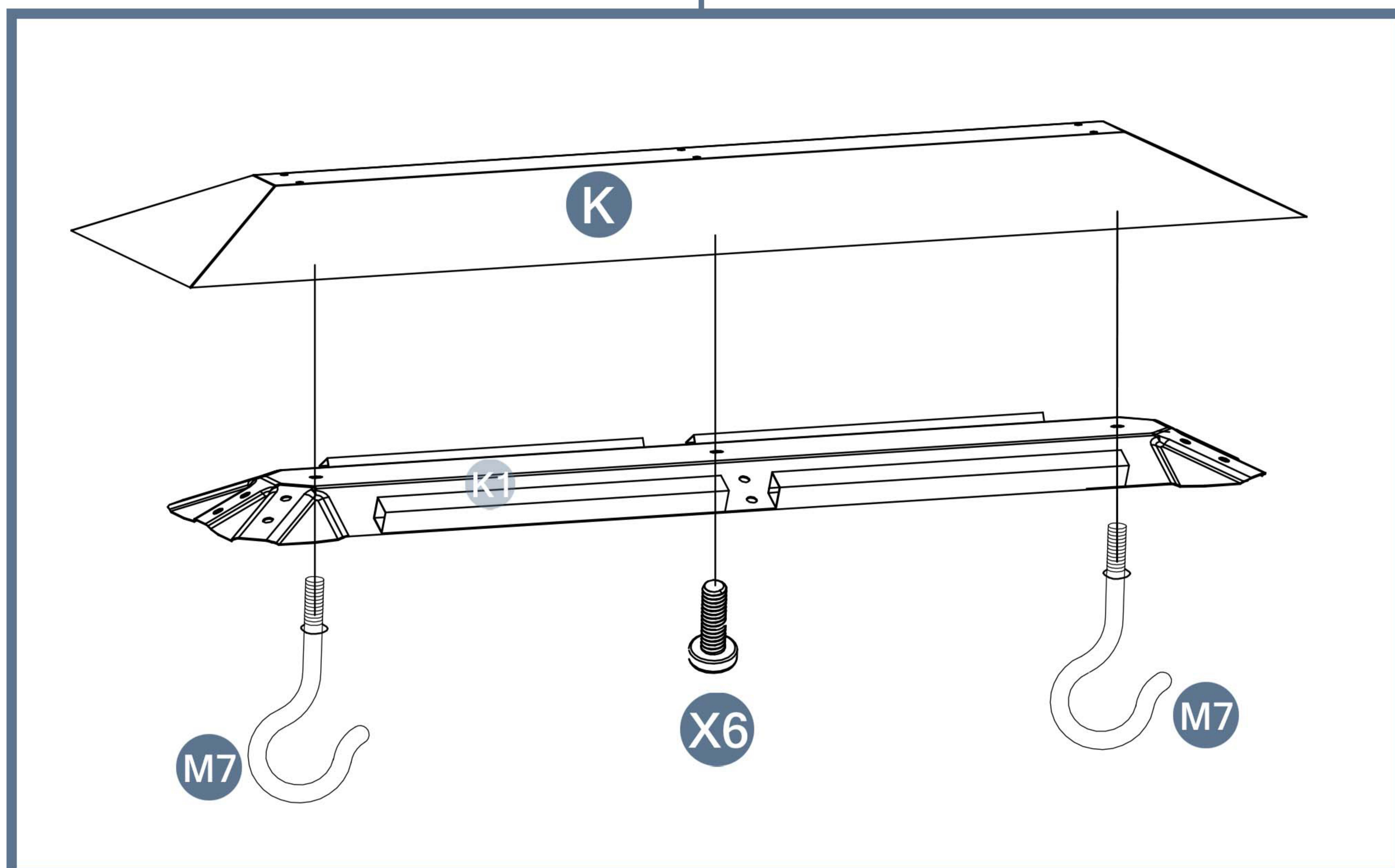
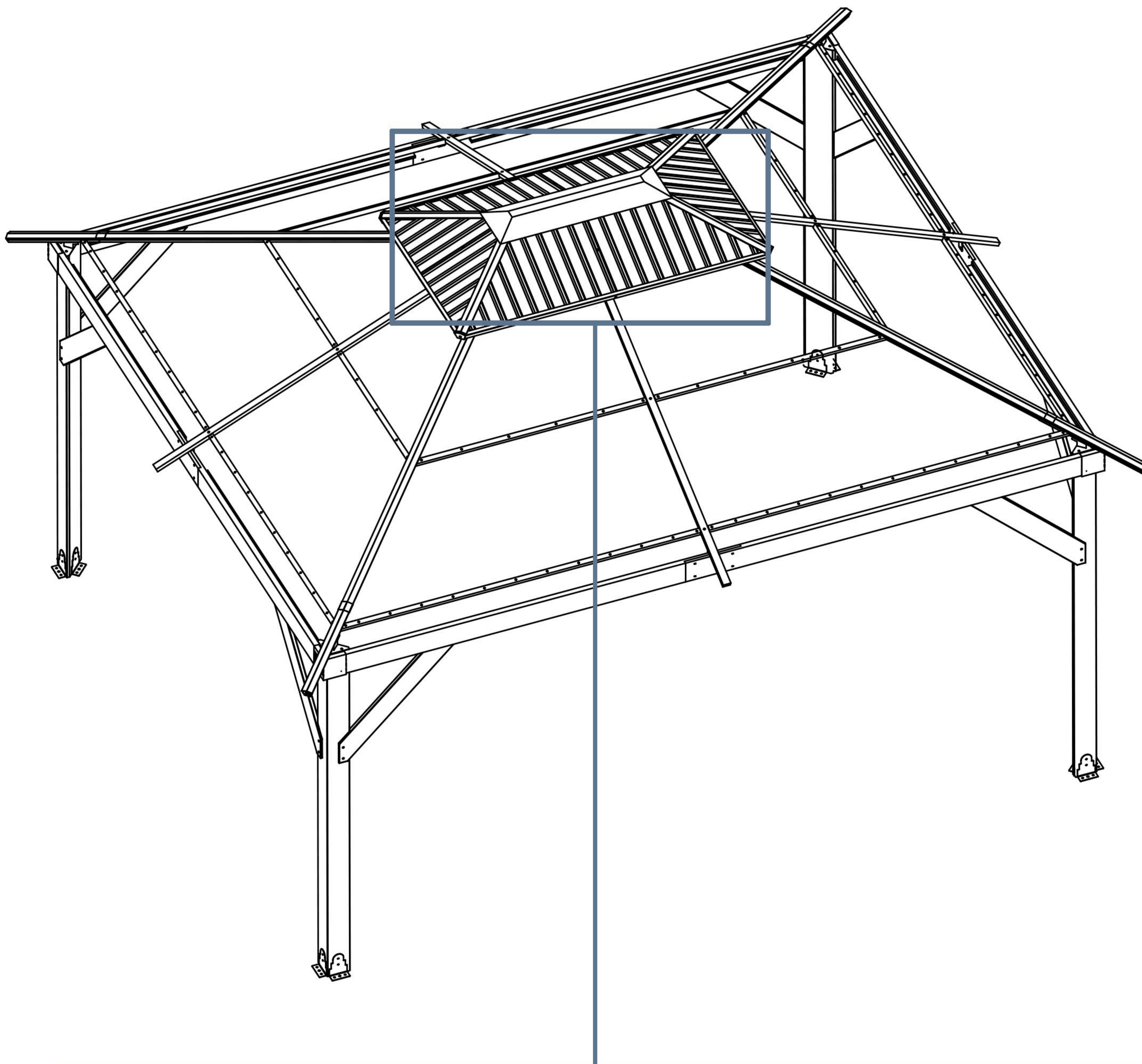
K 1pcs



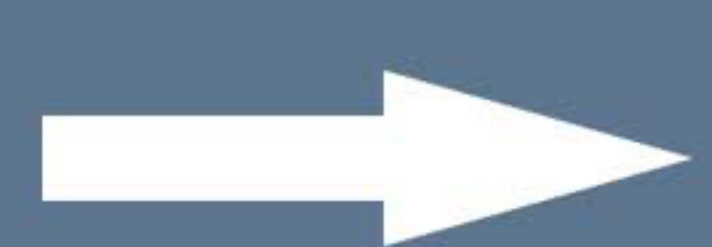
X6 1pcs



M7 2pcs



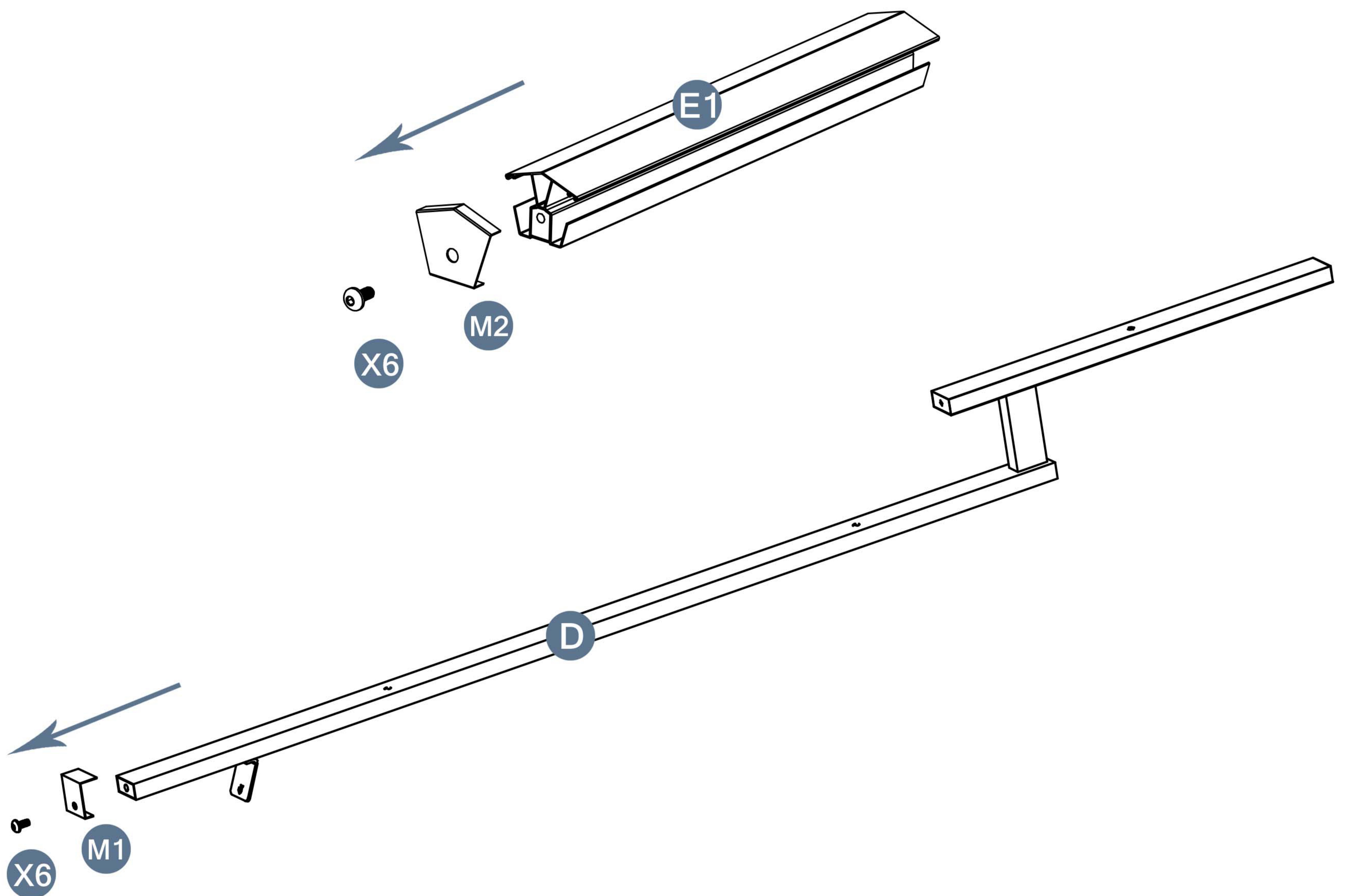
Please take care of the screws and contact the after-sales service if there is any problem with the installation or parts.



E-mail: cs.helper01@gmail.com

To prevent the loss of M2 and M1
we mounted the M2 and M1 on top of the E1 and D ahead of time

Before installing step 14 /step 15, please remove the 4 M2's
and 4 M1's from the part E1 and D. (Reinstall them during step 16) .



Please take care of the screws and contact the after-sales service if there is any problem with the installation or parts.

STEP 14

Parts required

V1 2pcs

V2 2pcs

V3 2pcs

V4 2pcs

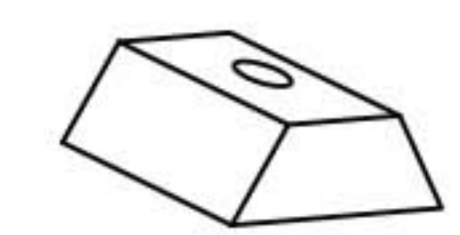
O1 2pcs

O2 2pcs

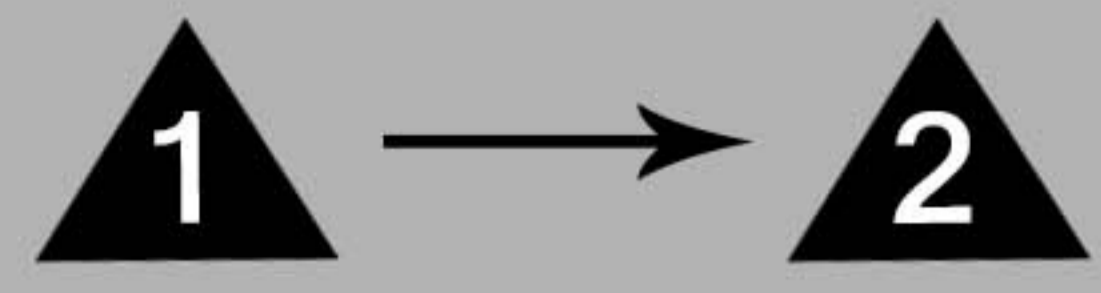
O3 2pcs

O4 2pcs

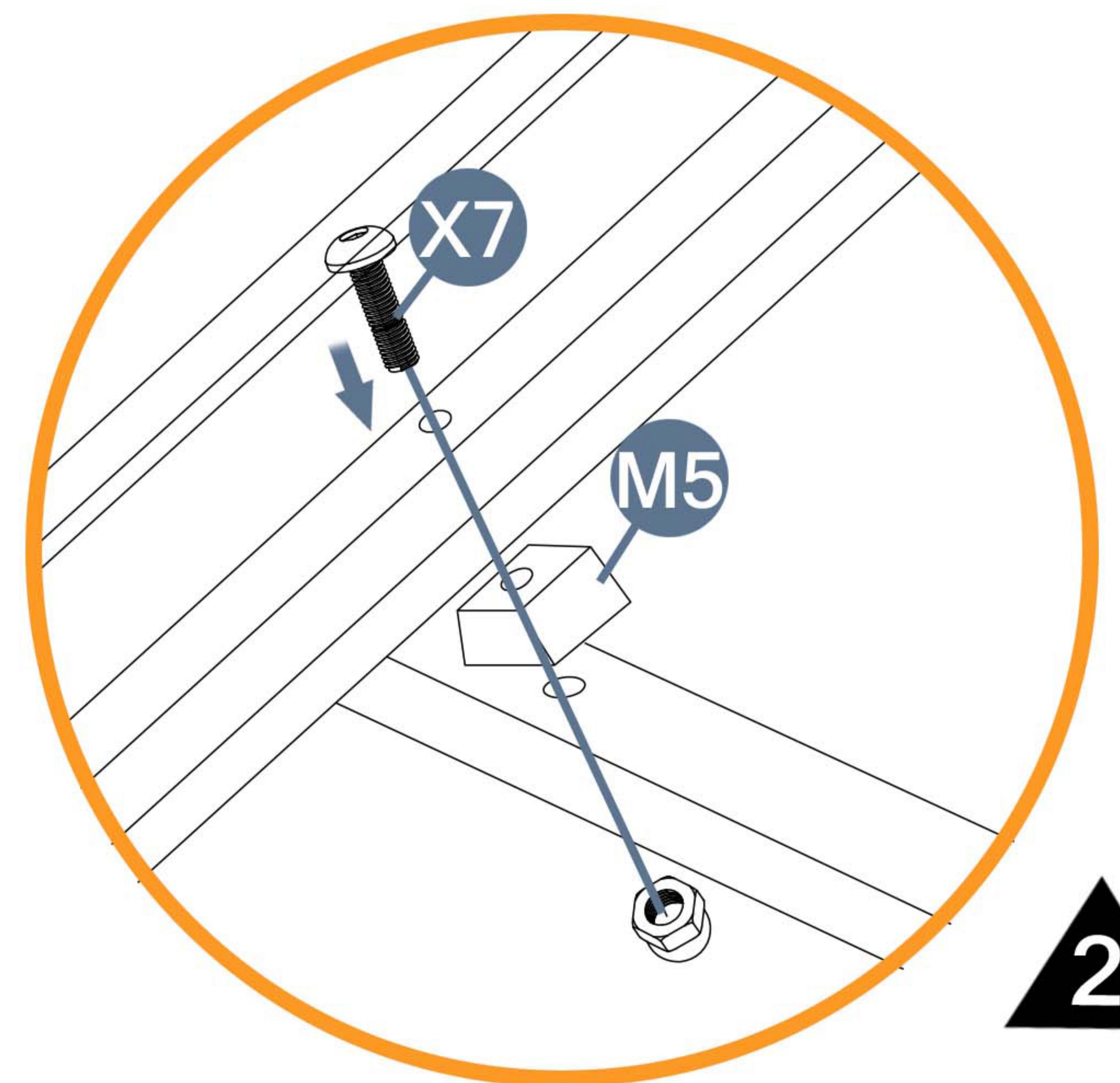
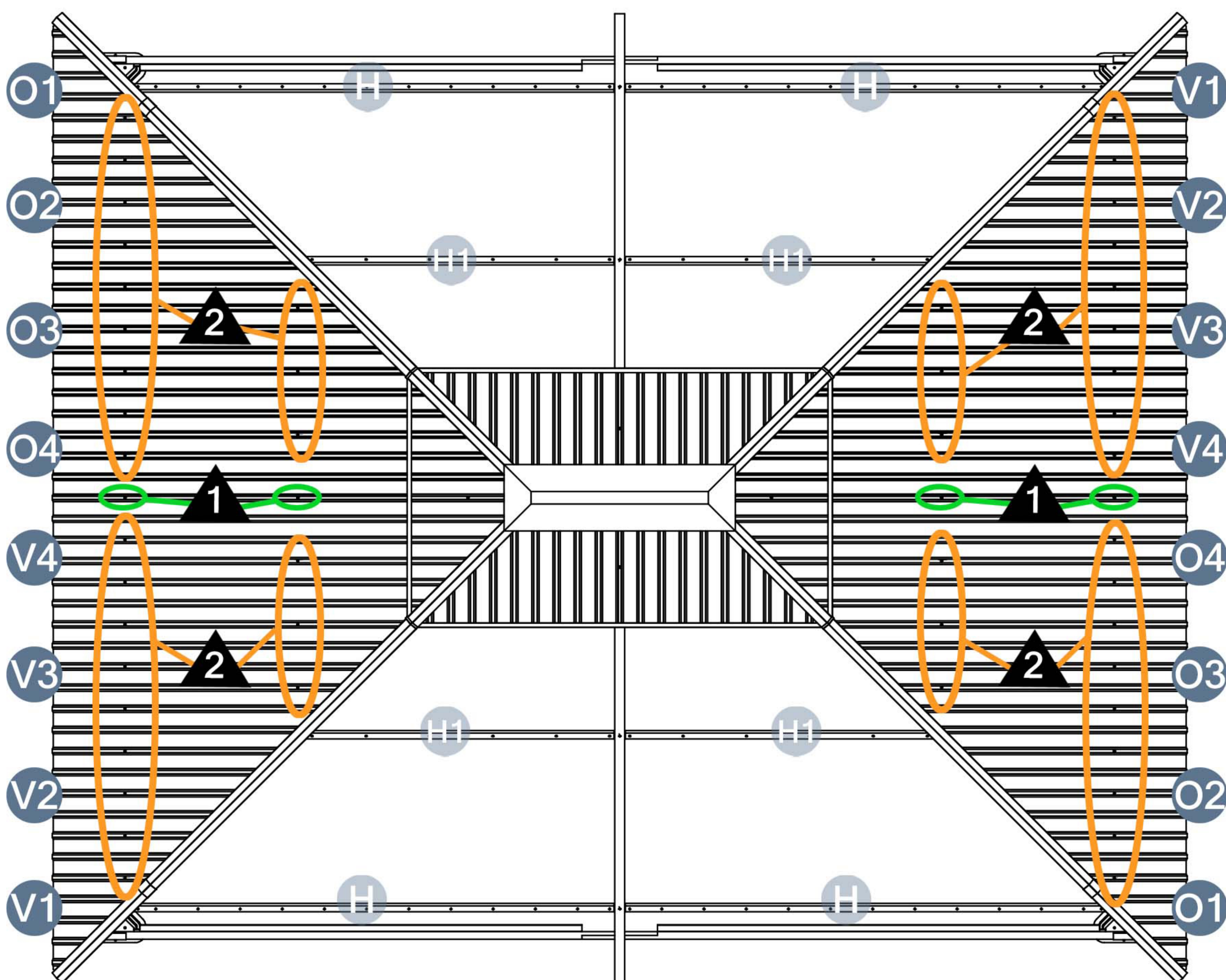
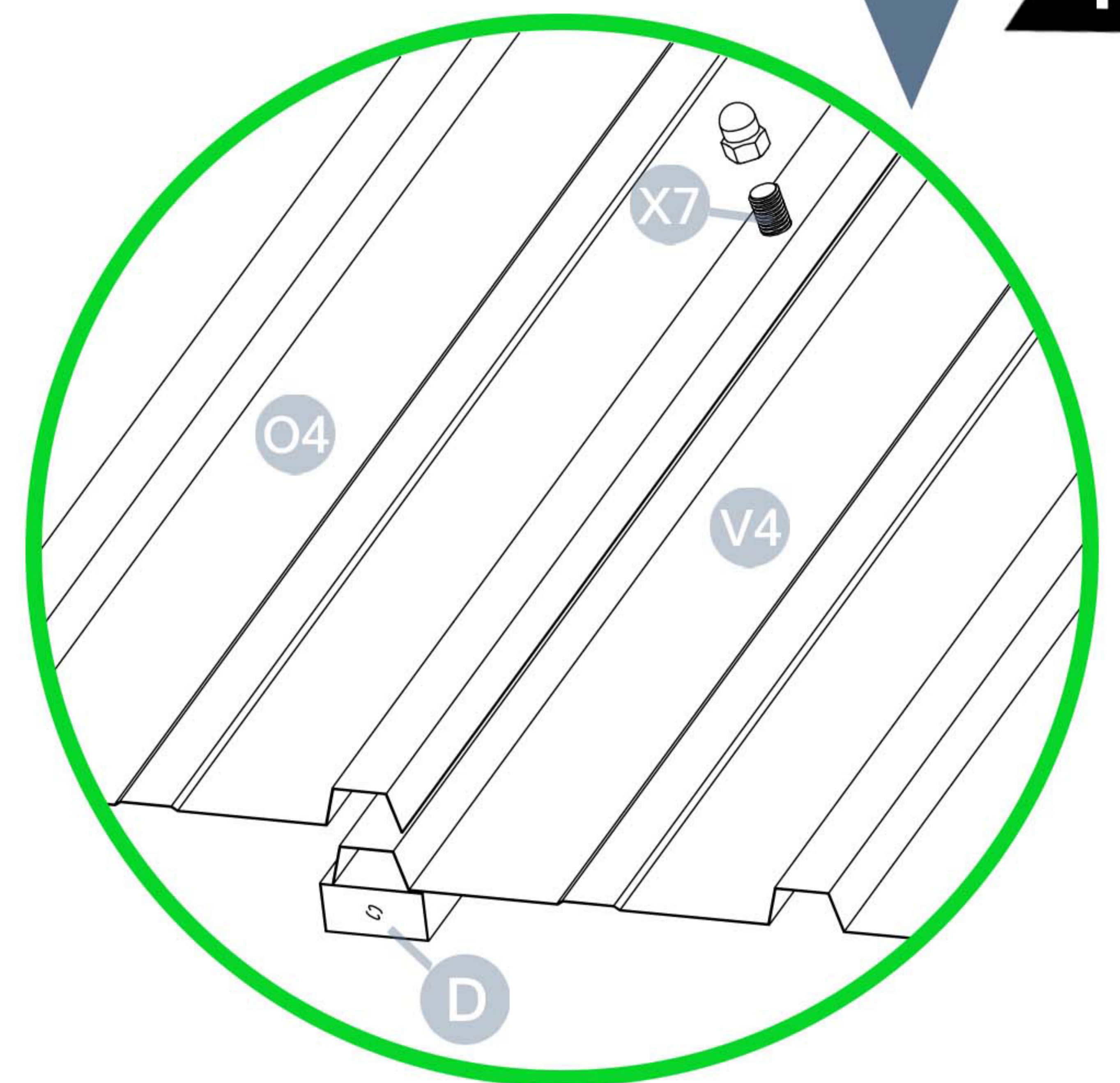
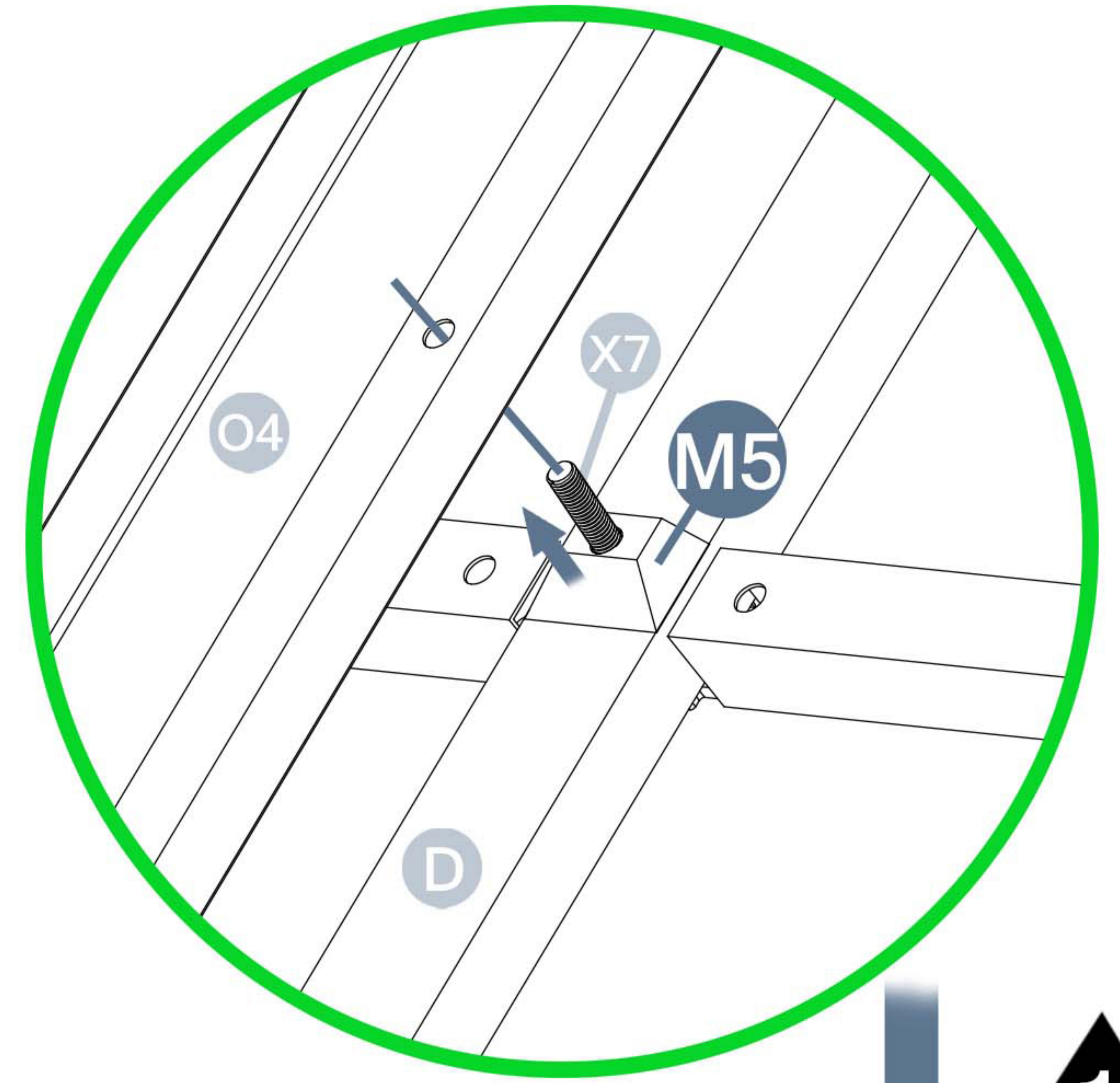
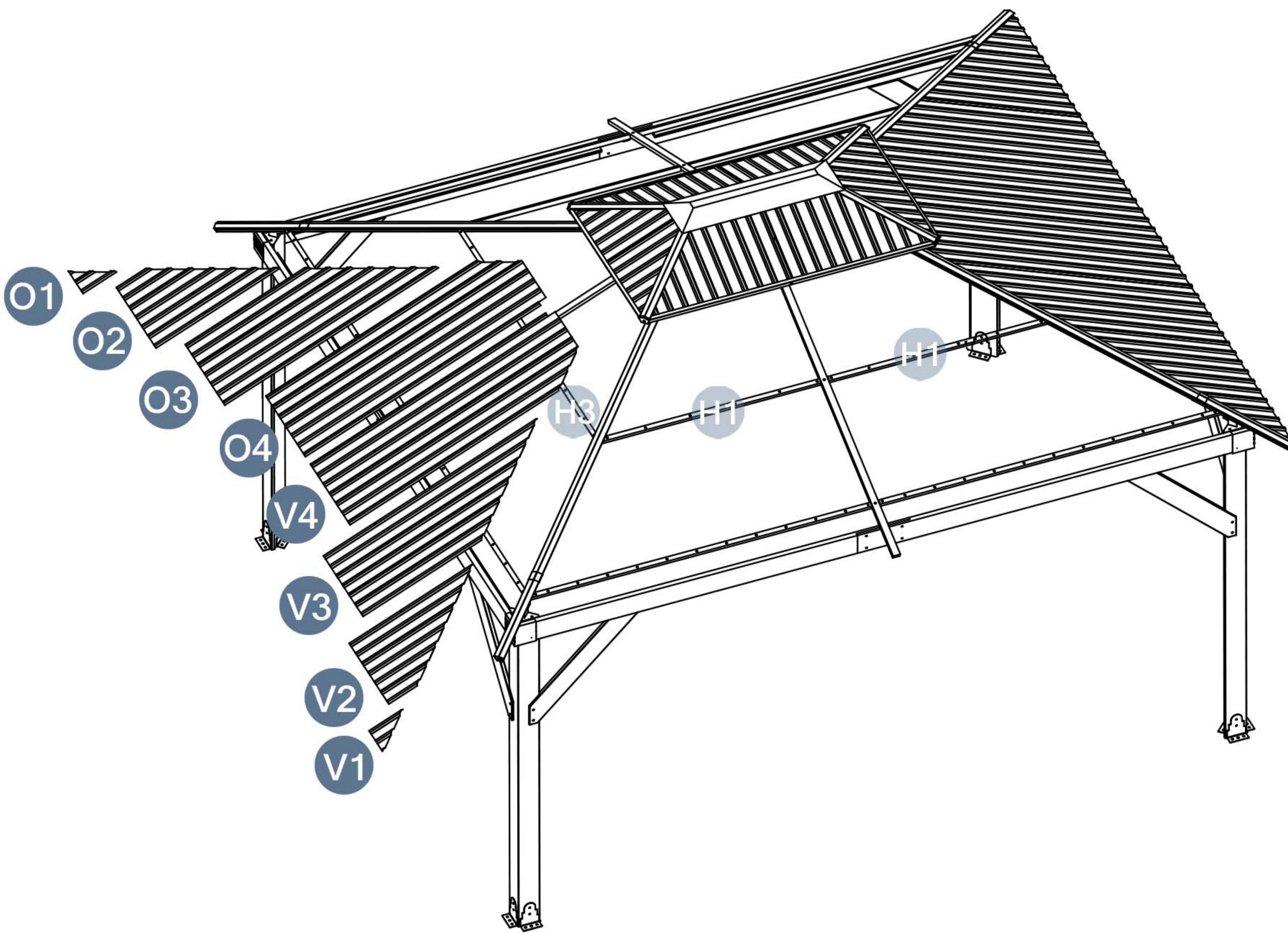
X7 48pcs



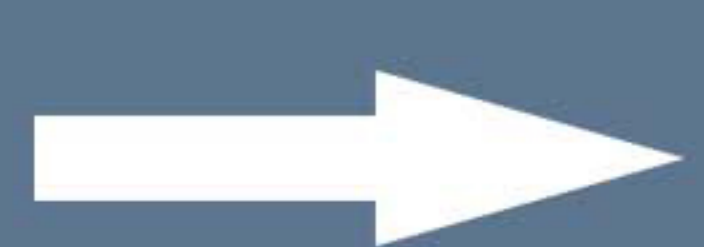
M5 52pcs



Pay attention to the direction of screw installation



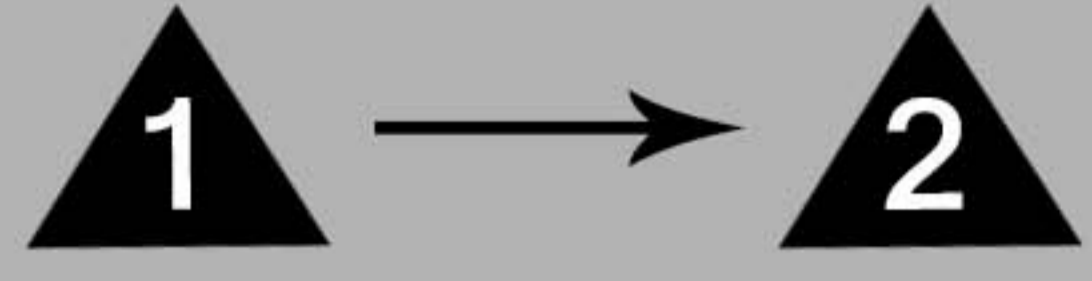
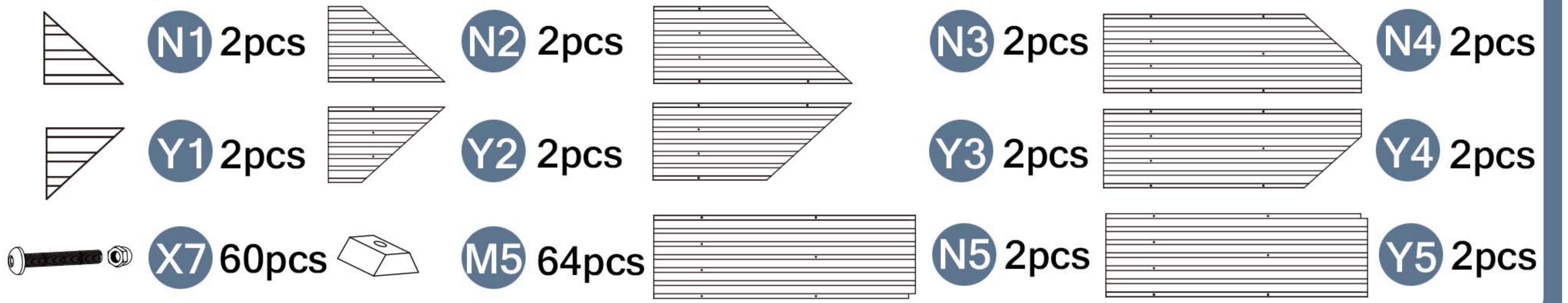
Please keep the screws carefully during the assembly process and contact us by email if they are missing.



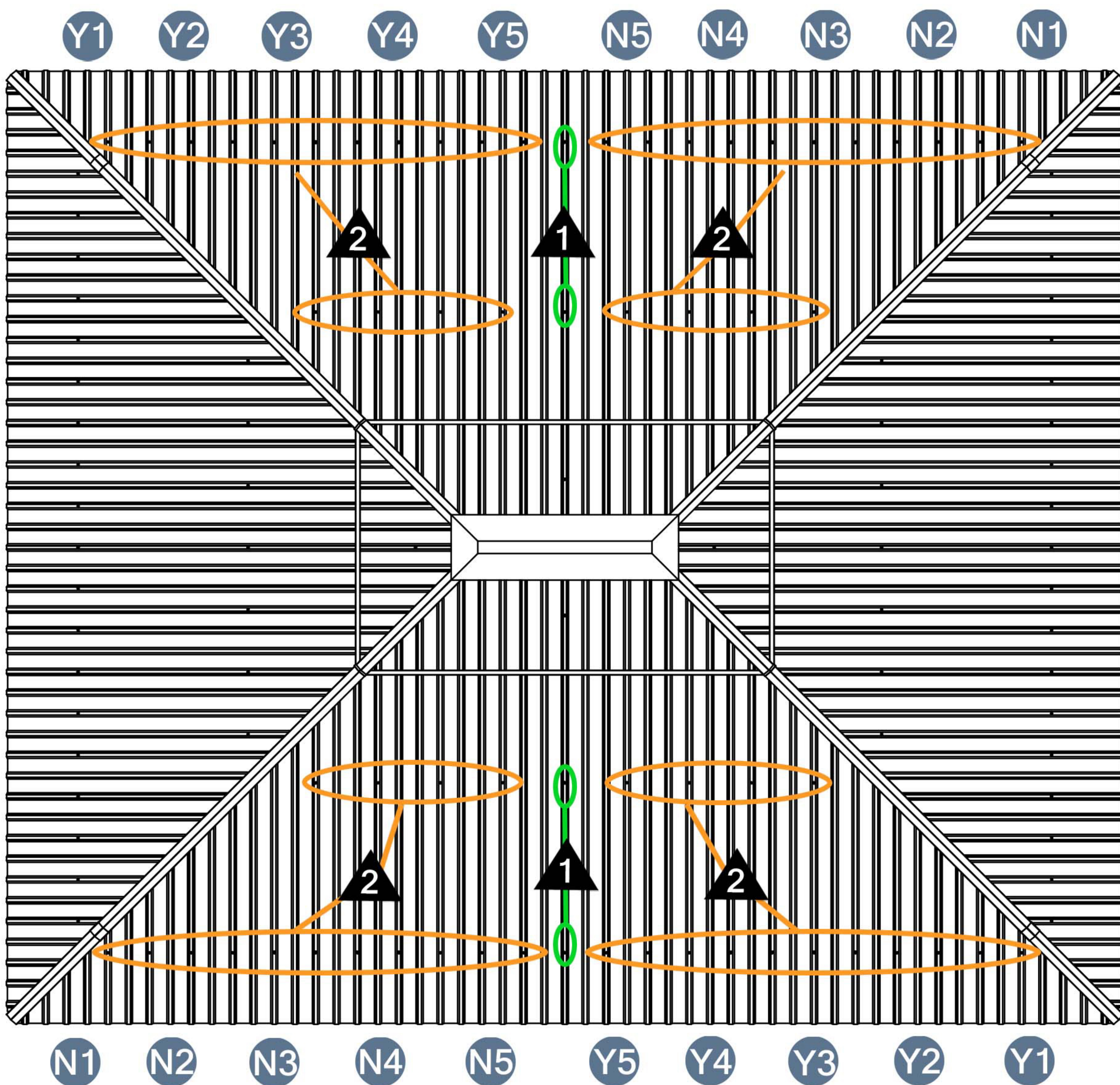
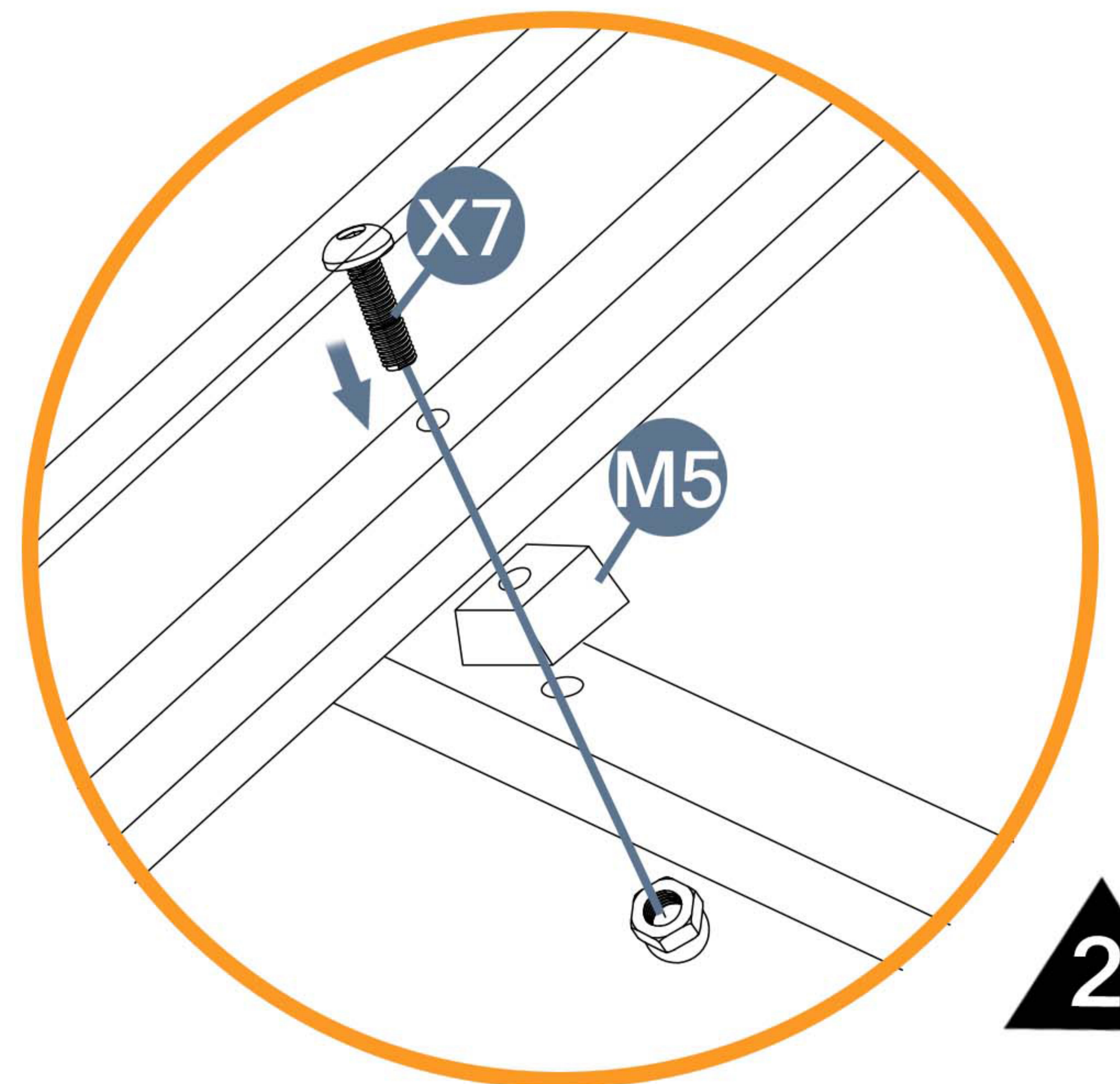
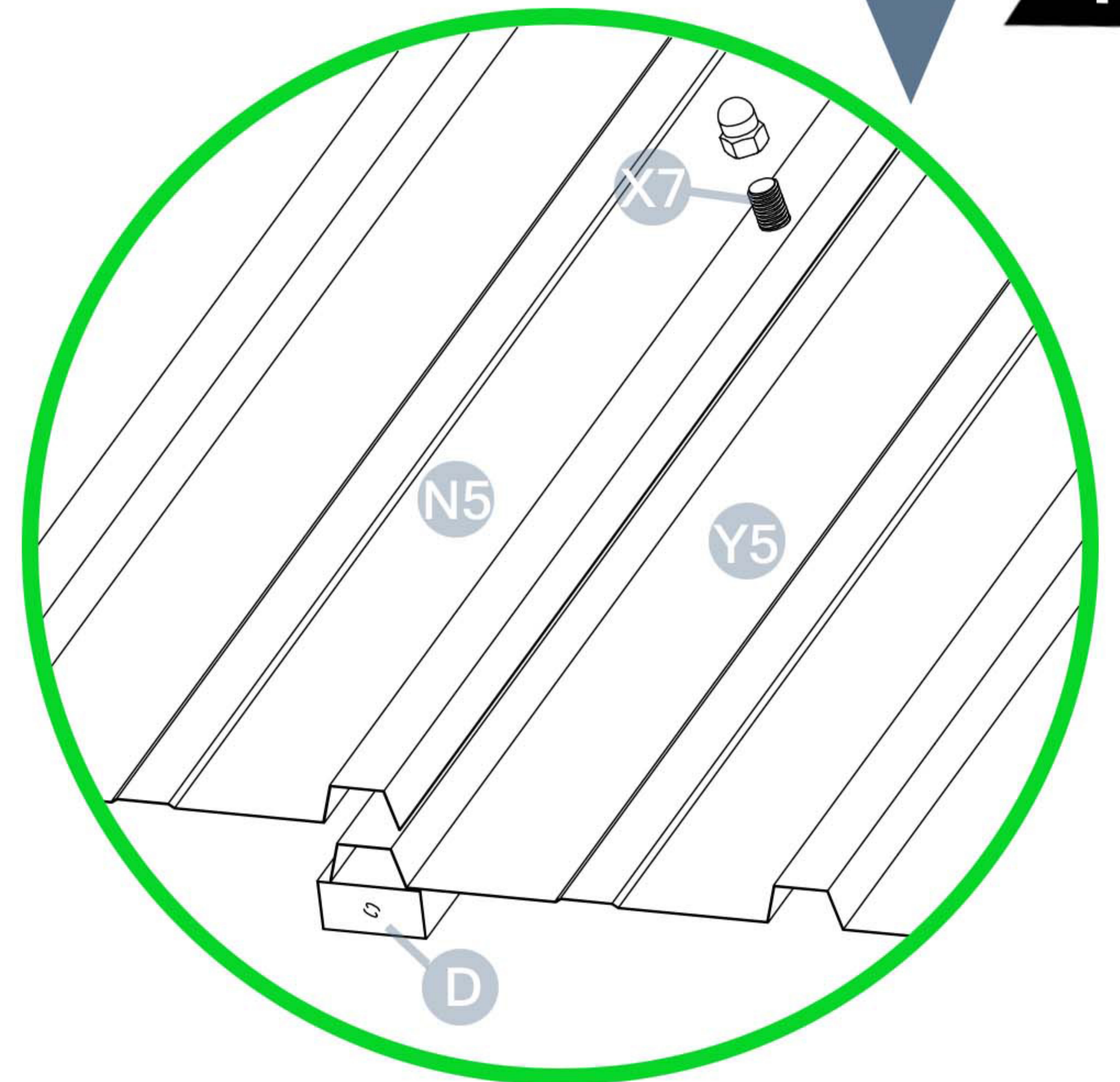
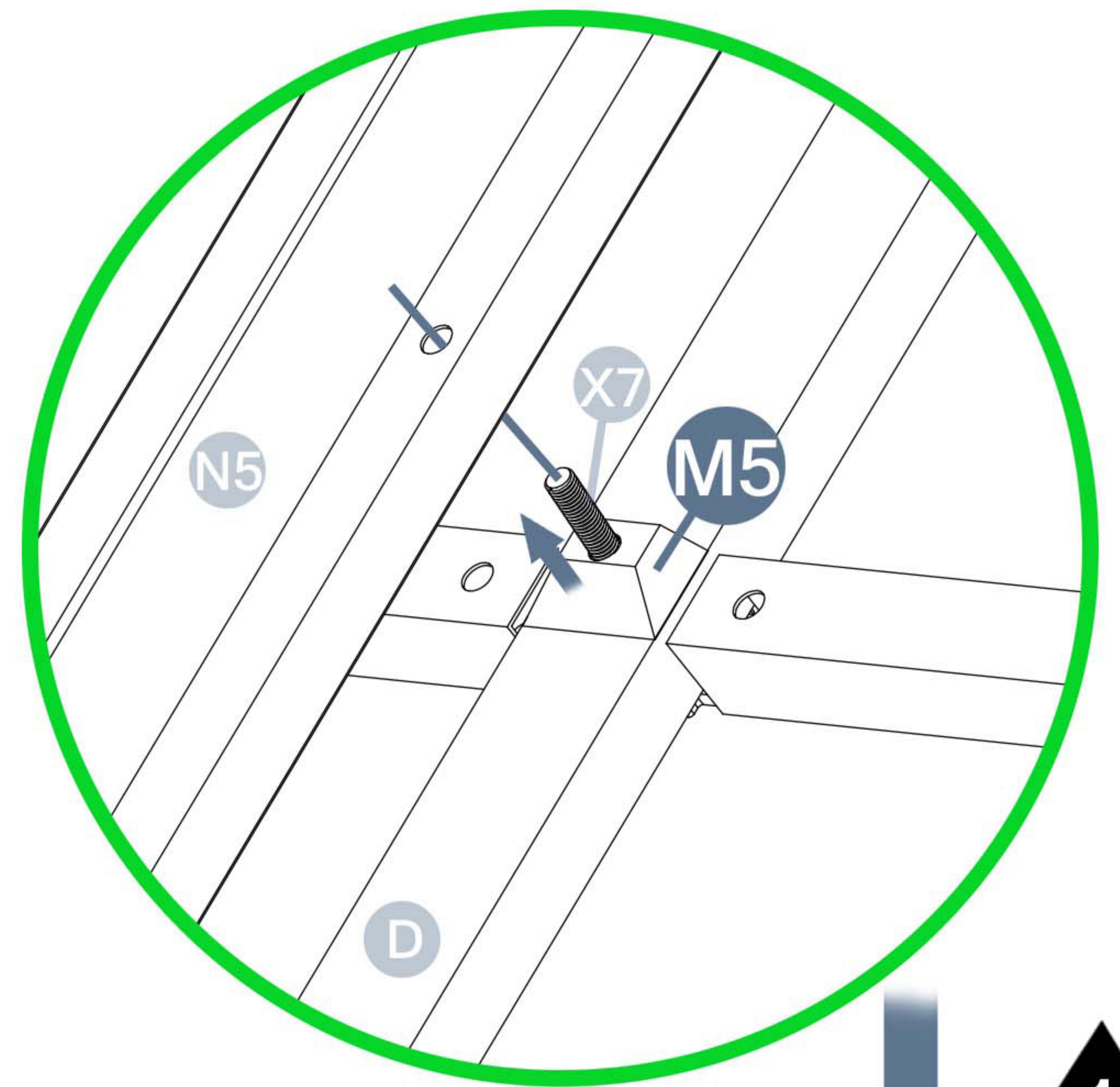
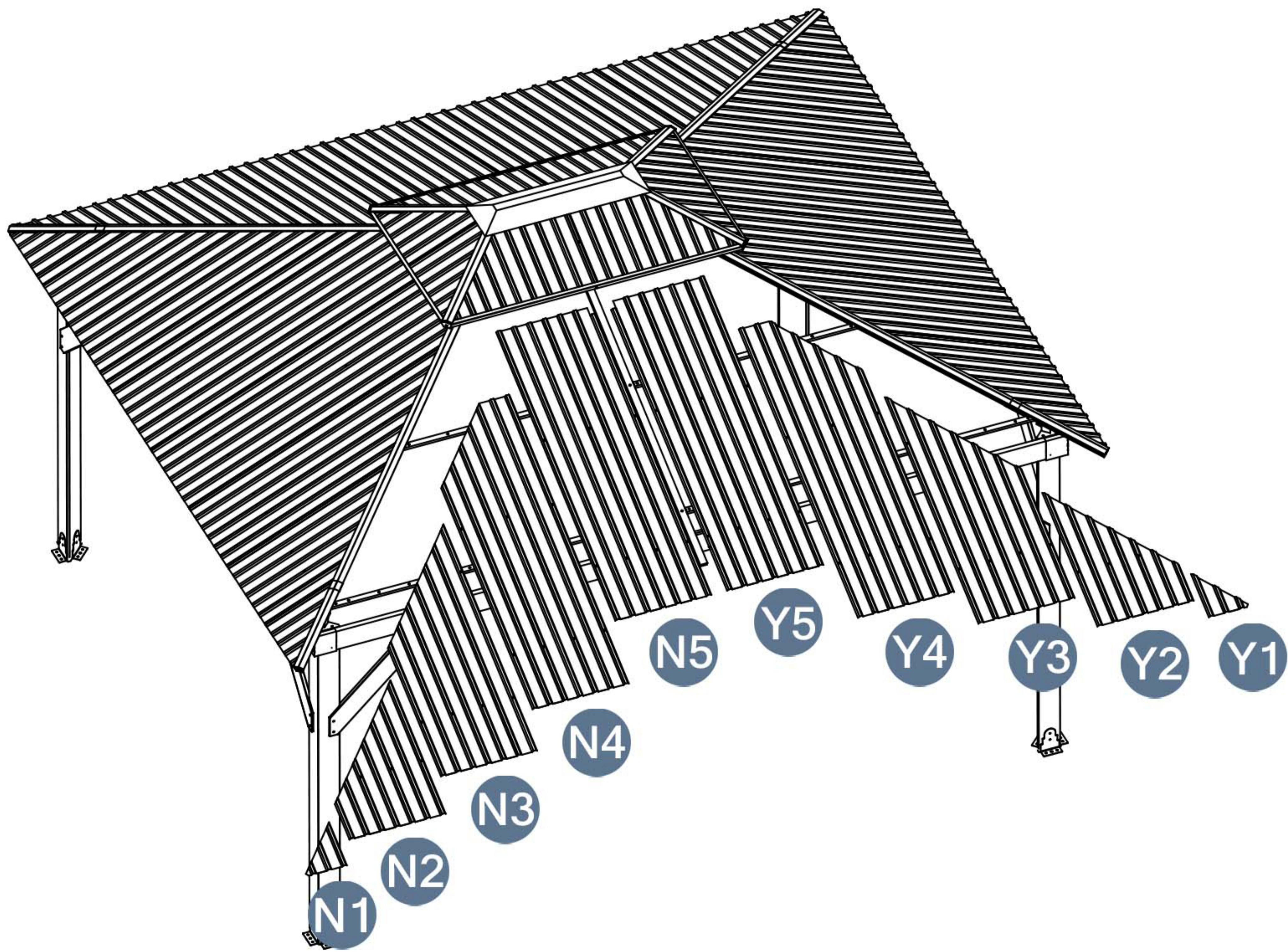
E-mail: cs.helper01@gmail.com

STEP 15

Parts required



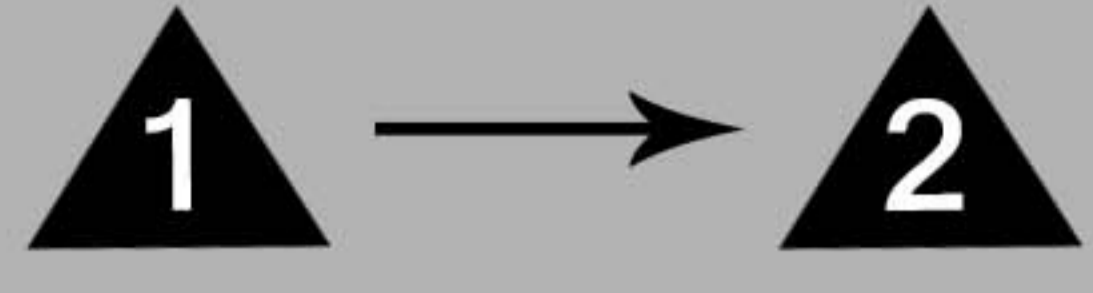
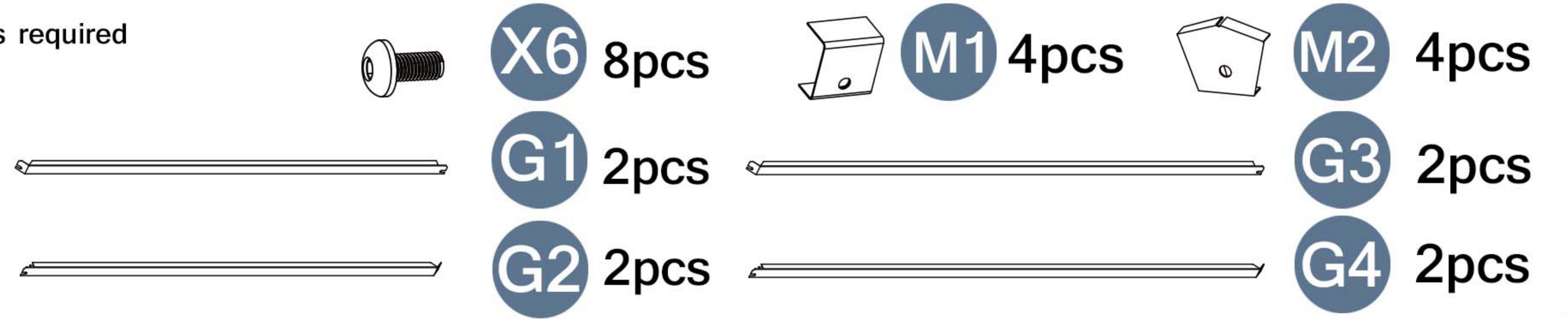
Pay attention to the direction of screw installation



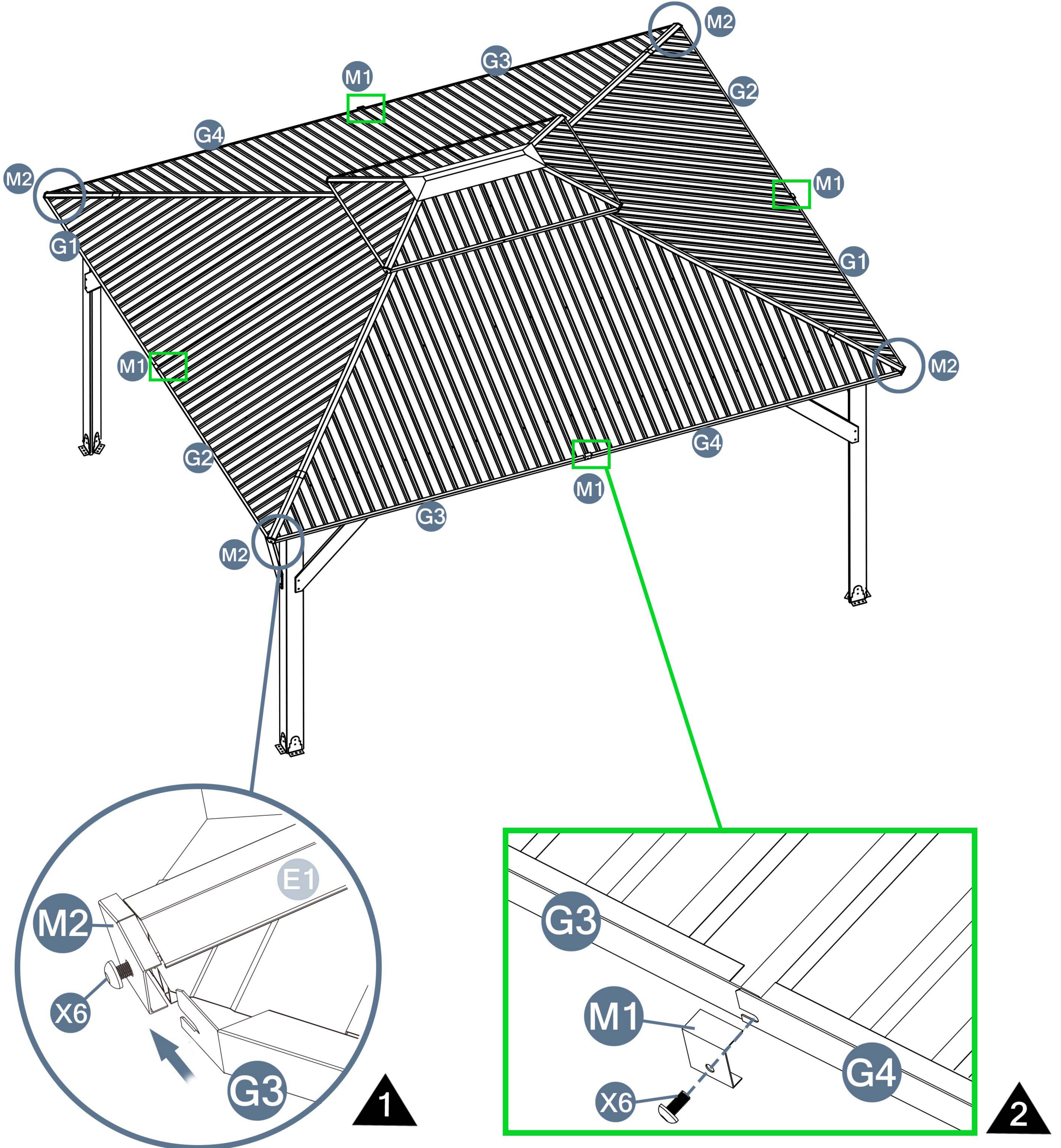
Please take care of the screws and contact the after-sales service if there is any problem with the installation or parts.

STEP 16

Parts required



To better align the screws for practical situations, do not fully tighten screws initially.



Please take care of the screws and contact the after-sales service if there is any problem with the installation or parts.

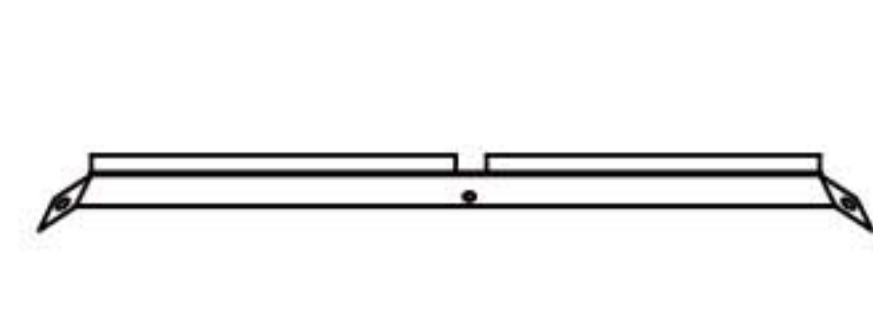
➔ E-mail: cs.helper01@gmail.com

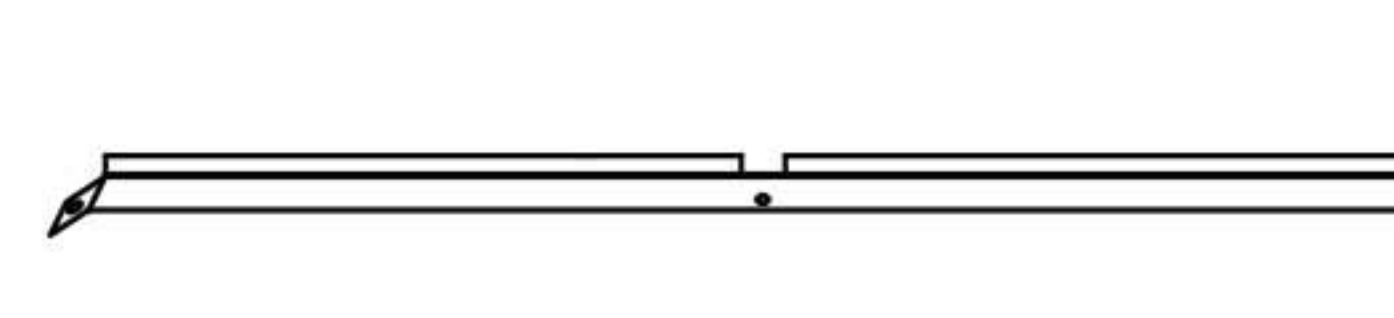
STEP 17

Parts required

 X6 4pcs

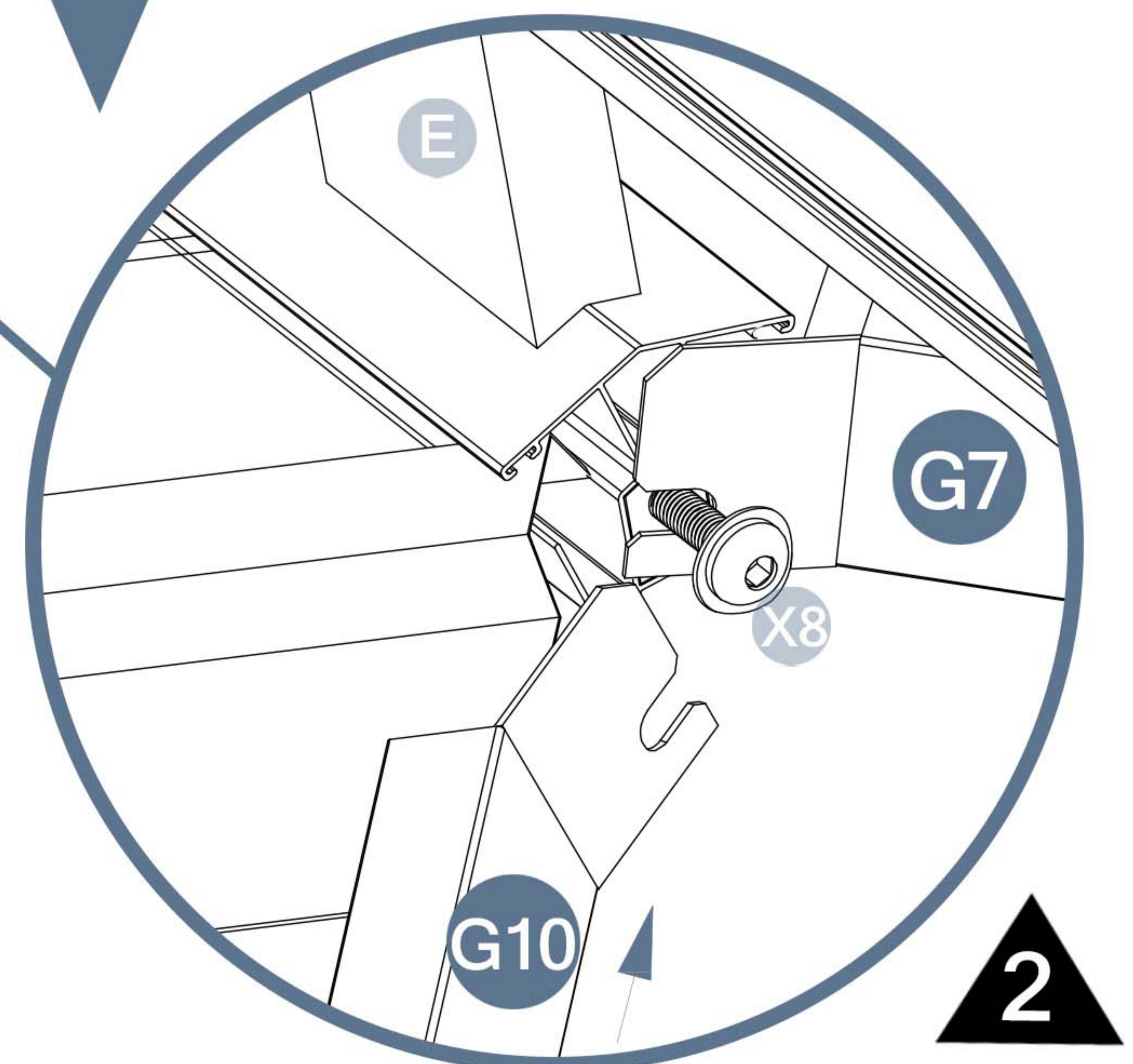
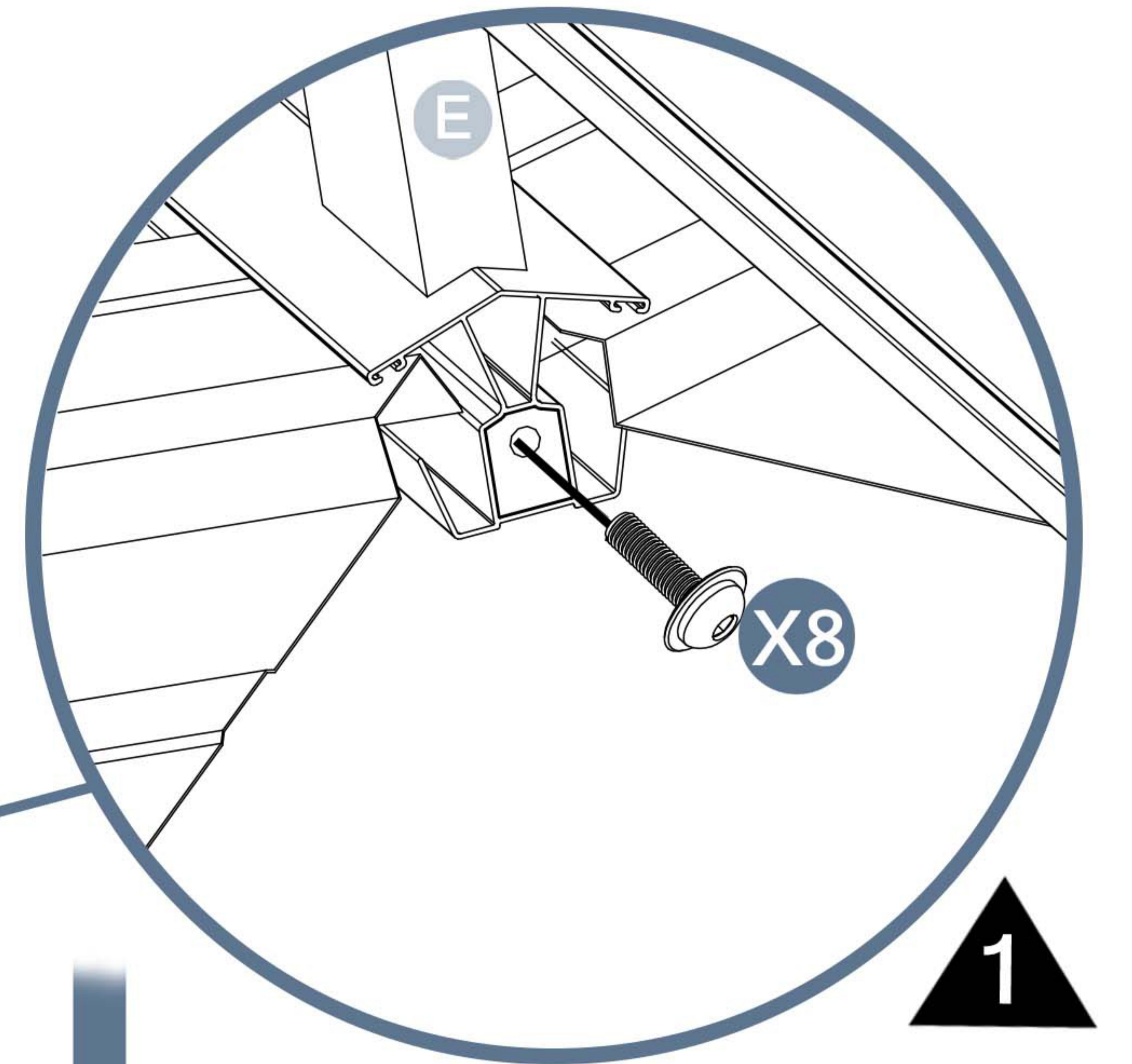
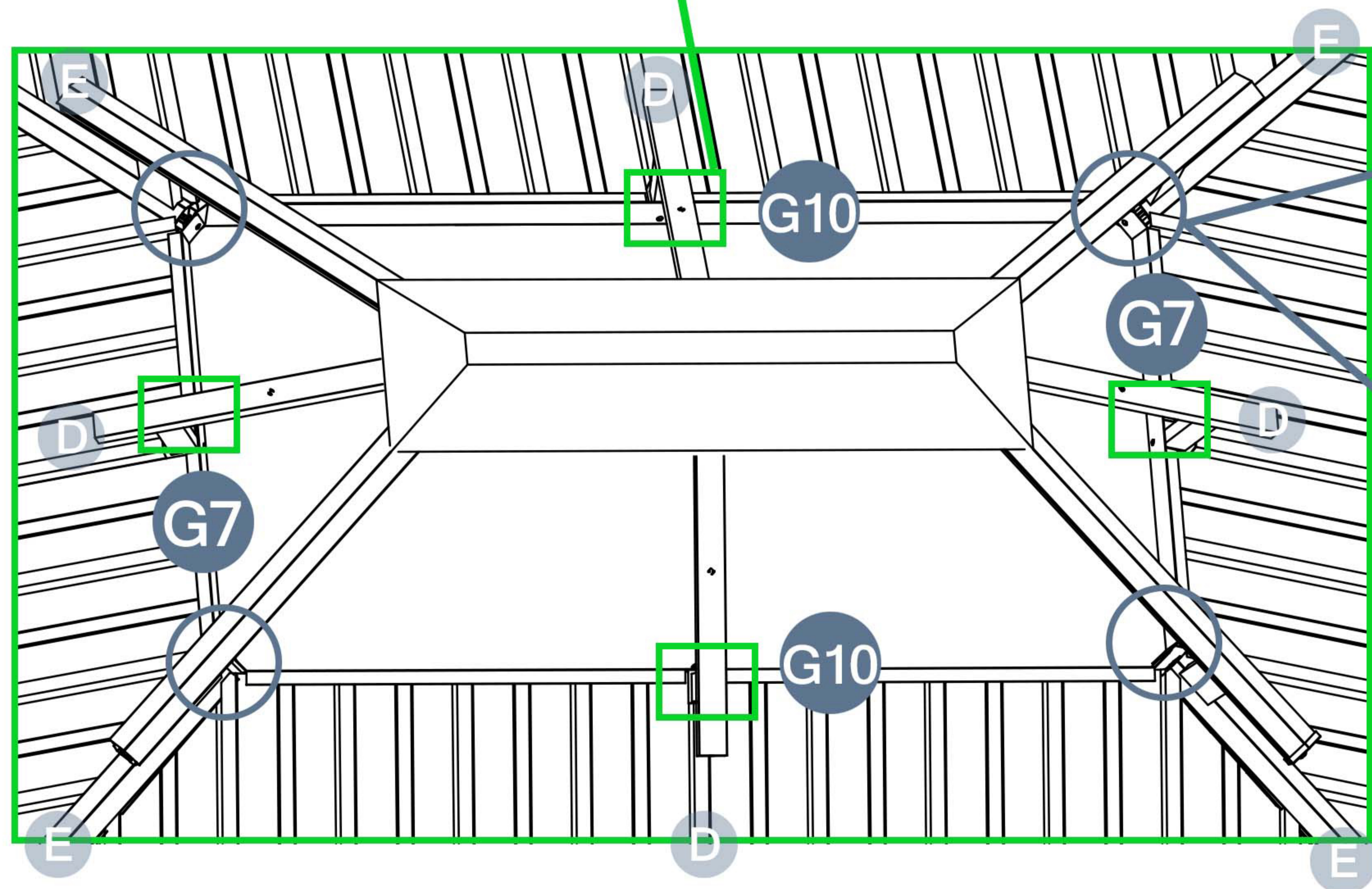
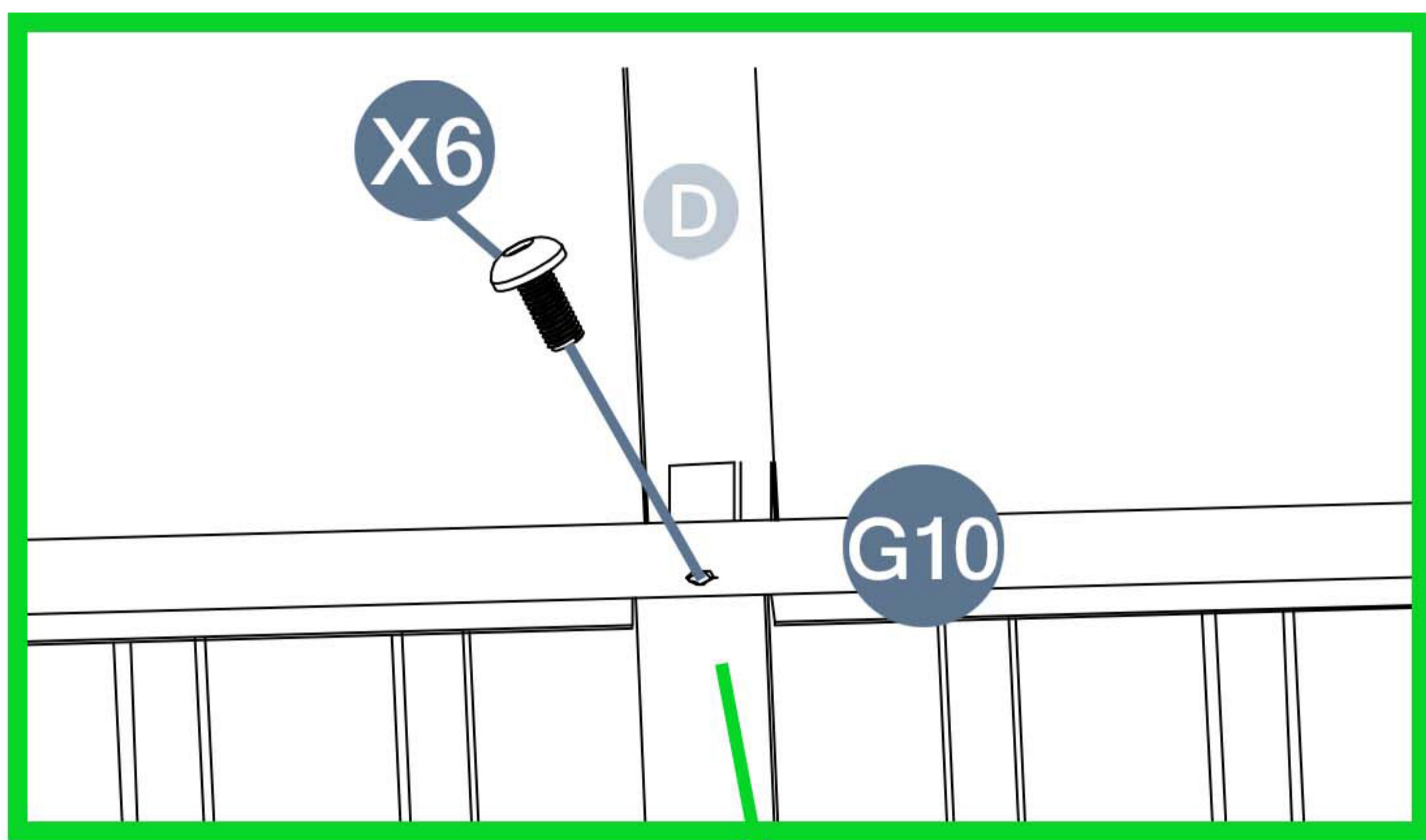
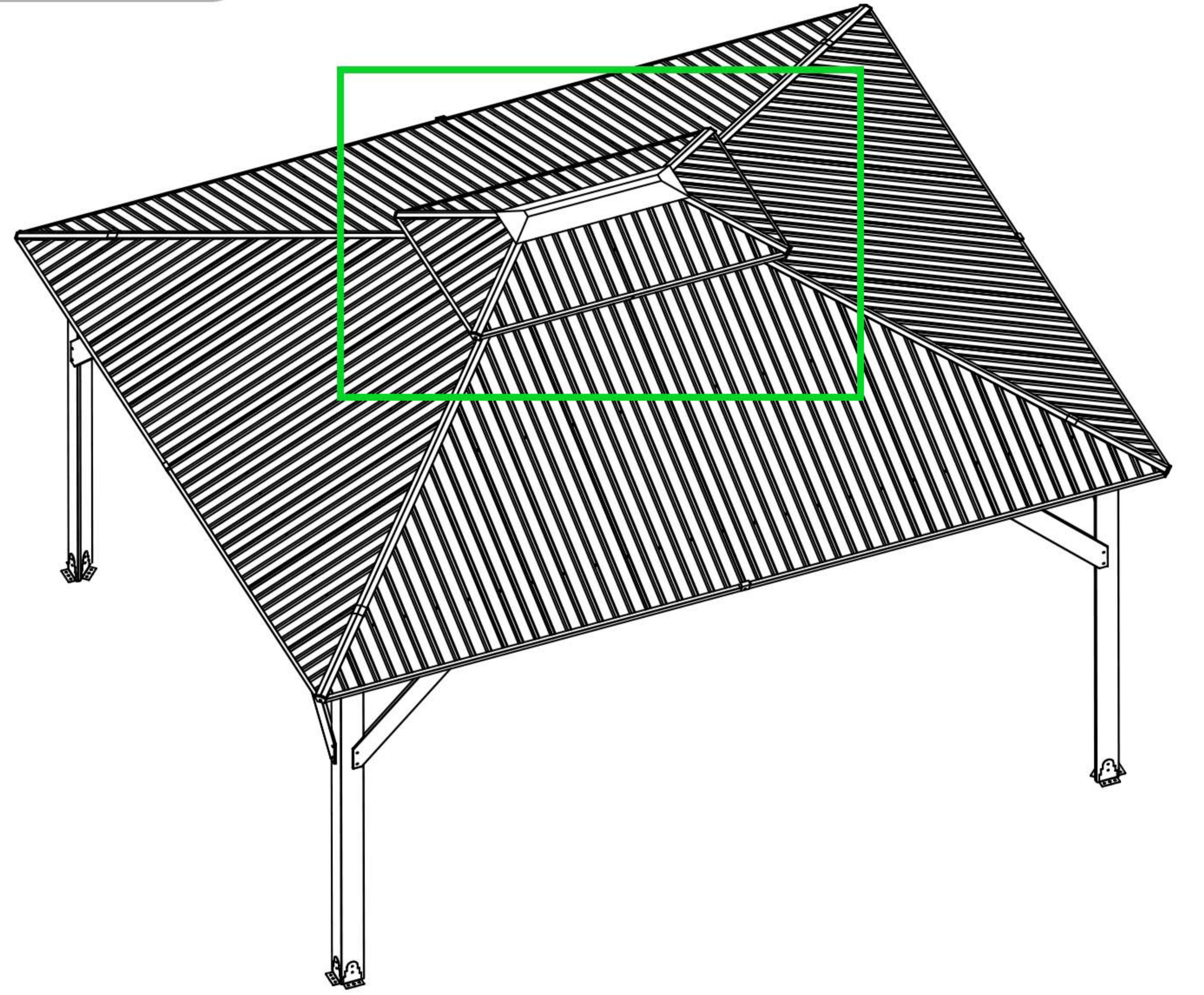
 X8 4pcs

 G7 2pcs

 G10 2pcs

1 → 2 → 3

It can be installed from the inside.



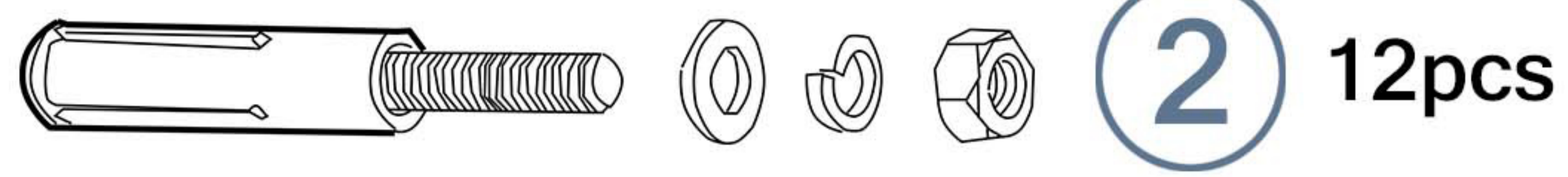
Please take care of the screws and contact the after-sales service if there is any problem with the installation or parts.



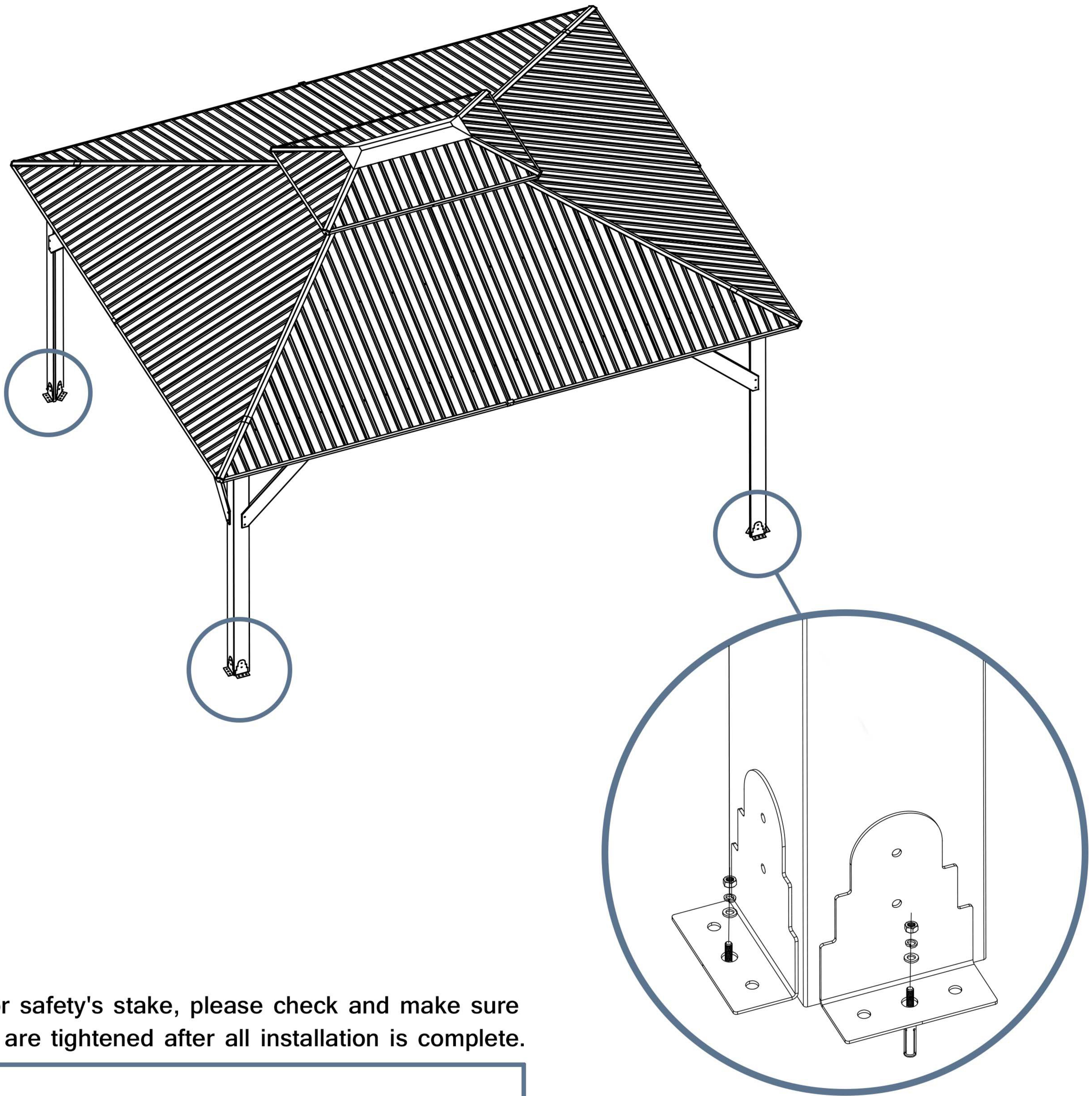
E-mail: cs.helper01@gmail.com

STEP 18

Parts required



To improve stability of gazebo, expansion screws very necessary. Expansion screws use for cement surfaces and have included in the package.



!!! For safety's stake, please check and make sure that all screws are tightened after all installation is complete.

Installation Completed

Please take care of the screws and contact the after-sales service if there is any problem with the installation or parts.

➔ ✉ E-mail: cs.helper01@gmail.com

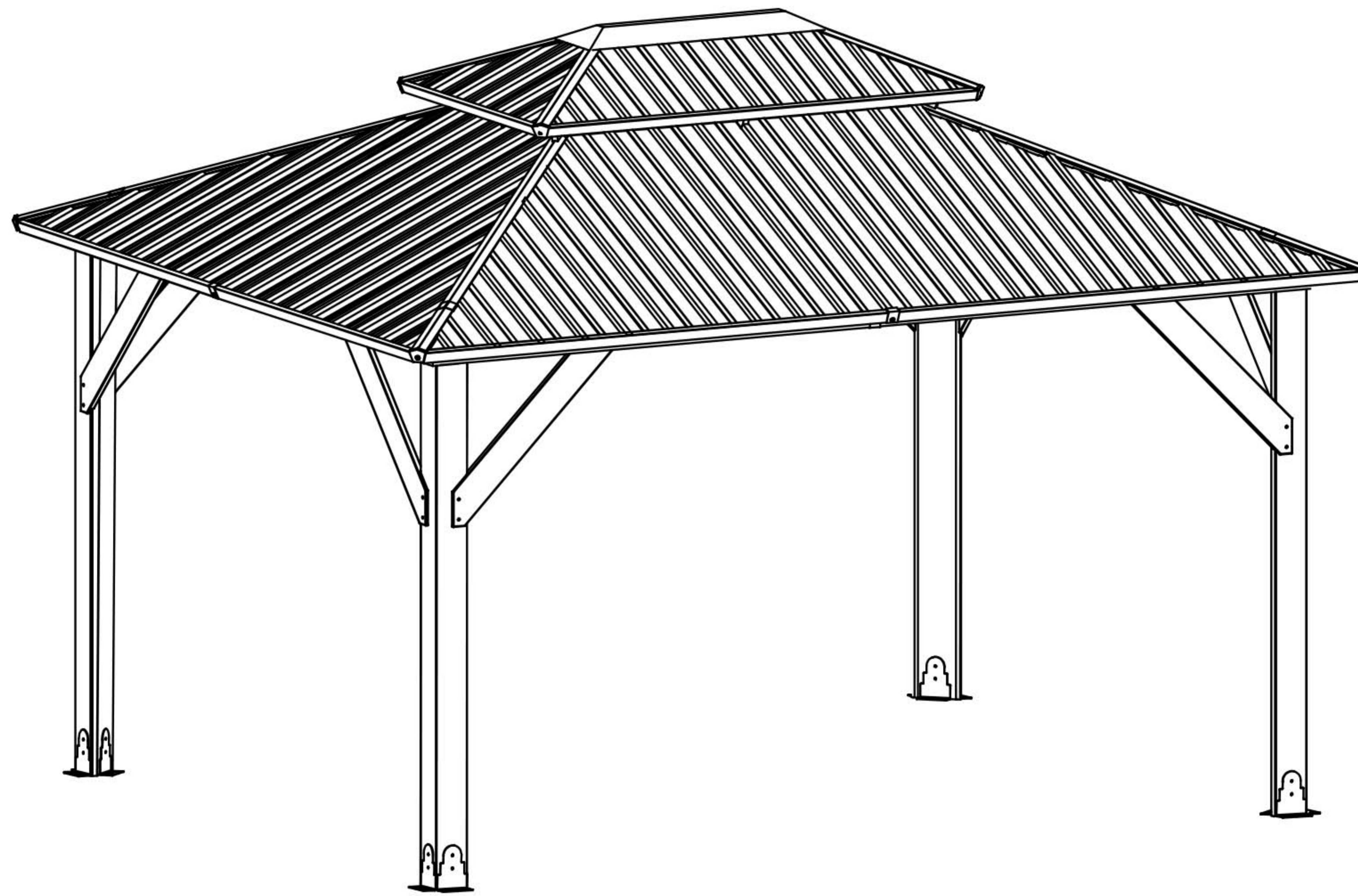
Hope you enjoy this product.

If you have any concerns about gazebo Installation, please feel free to contact us. We will reply within 24 hours.



E-mail: cs.helper01@gmail.com

13X15FT



SKU:C-MTSJY24-G010-1
C-MTSJY24-G010-2
CM-MTSJY24-G010-3
C-MTSJY24-G010-4
C-MTSJY24-G010-5