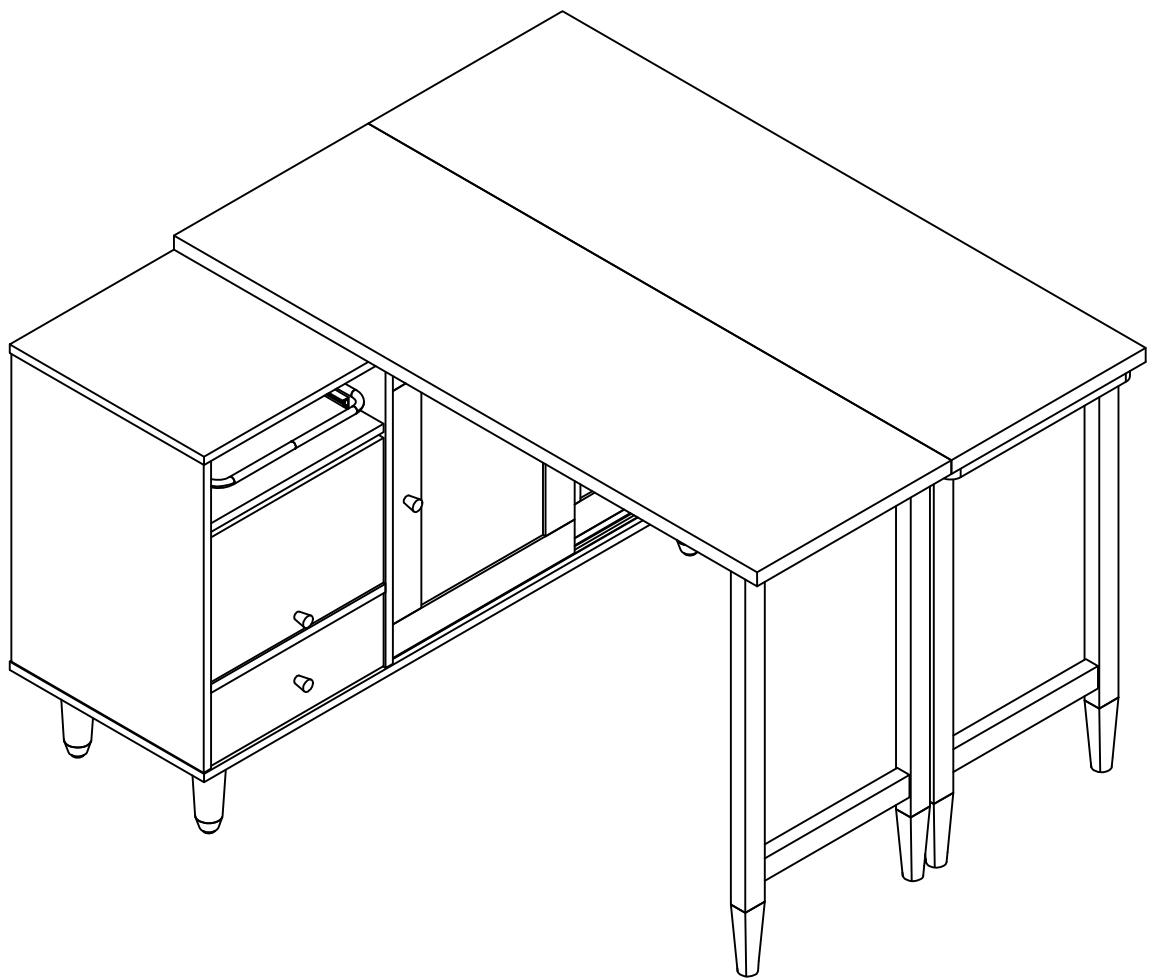
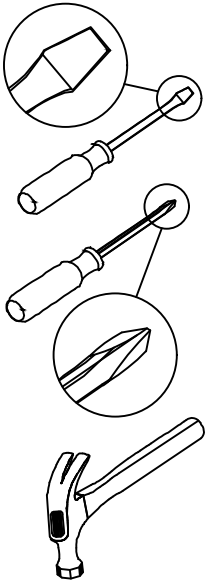

Assembly Guide

B2124X Sideboard Table



Tips: Do not throw away packing materials until assembly is complete for small parts may come loose inside the carton during shipment. If parts are missing, please contact us. Assemble this item on a soft surface, such as carpet to protect the finish.

Before You Start



Read through each step carefully and follow the proper order

Separate and count all your parts and hardware

Give yourself enough room for the assembly process

Have the following tools: Flat Head Screwdriver, #2 Phillips Head Screwdriver and Hammer

Caution: If using a power drill or power screwdriver for screwing, please be aware of to slow down and stop when screw is tight. Failure to do so may result in stripping the screw. Assembly speed can be increased by using electric screwdriver

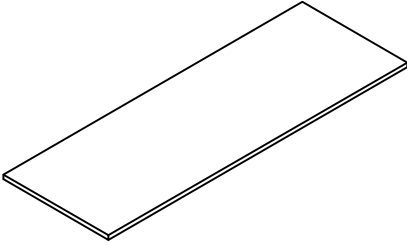
Helpful Hints

PEOPLE NEEDED FOR ASSEMBLY: 1-2

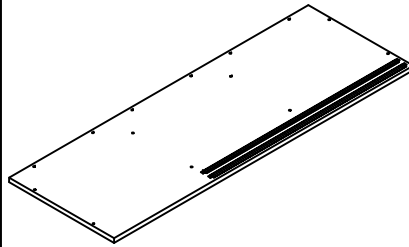
- Open your item in the area you plan to keep it to avoid excessive heavy lifting.
- Identify, sort and count the parts before attempting assembly.
- Compression dowels are lightly tapped in with a hammer.
- Slides are labeled with an R (right) and L (left) for proper placement.
- Make sure to always face the point on the top of the Cam Lock towards the outer edge.
- If there is a back panel in the package, please install it to make sure your unit is complete and sturdy.
- Please fix all the screws provided for the back panel which can enhance product stability. If it is difficult to fix it when tightening, it can be fixed with the help of a hammer and then tightened.
- Do NOT use harsh chemicals or abrasive cleaners on this item.
- Never push, pull, or drag your furniture.

PARTS LIST

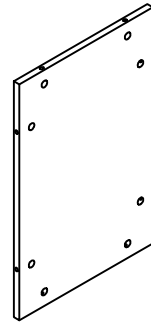
① x1



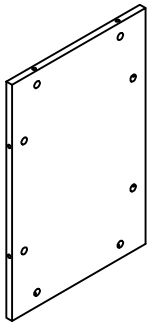
② x1



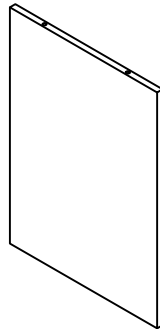
③ x2



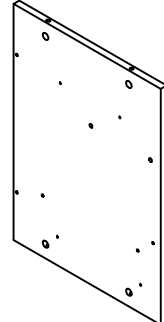
④ x1



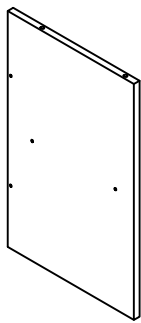
⑤ x1



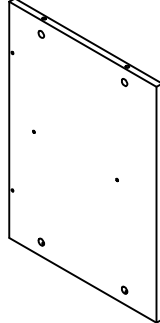
⑥ x1



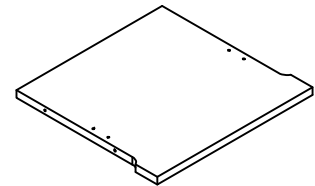
⑦ x1



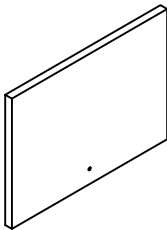
⑧ x1



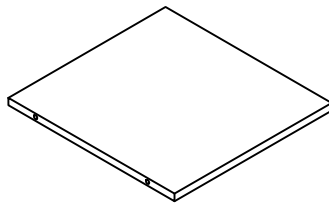
⑨ x1



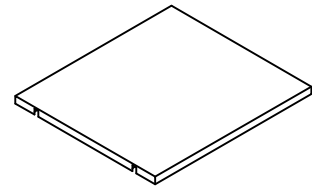
⑩ x1



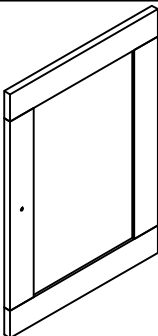
⑪ x1



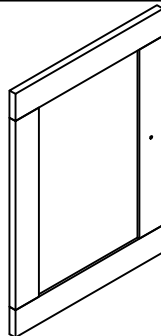
⑫ x2



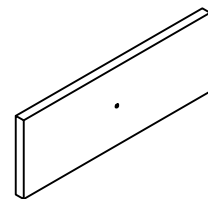
⑬ x1



⑭ x1

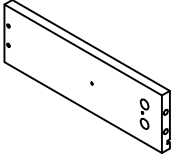


⑮ x1

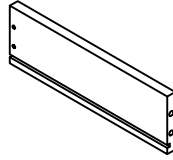


PARTS LIST

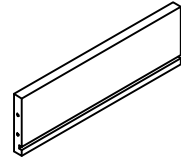
①⑥ x1



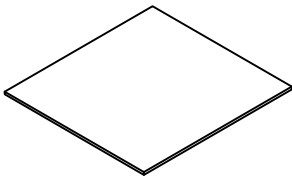
①⑦ x1



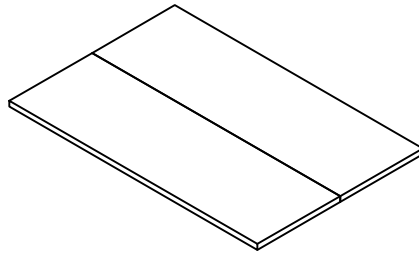
①⑧ x1



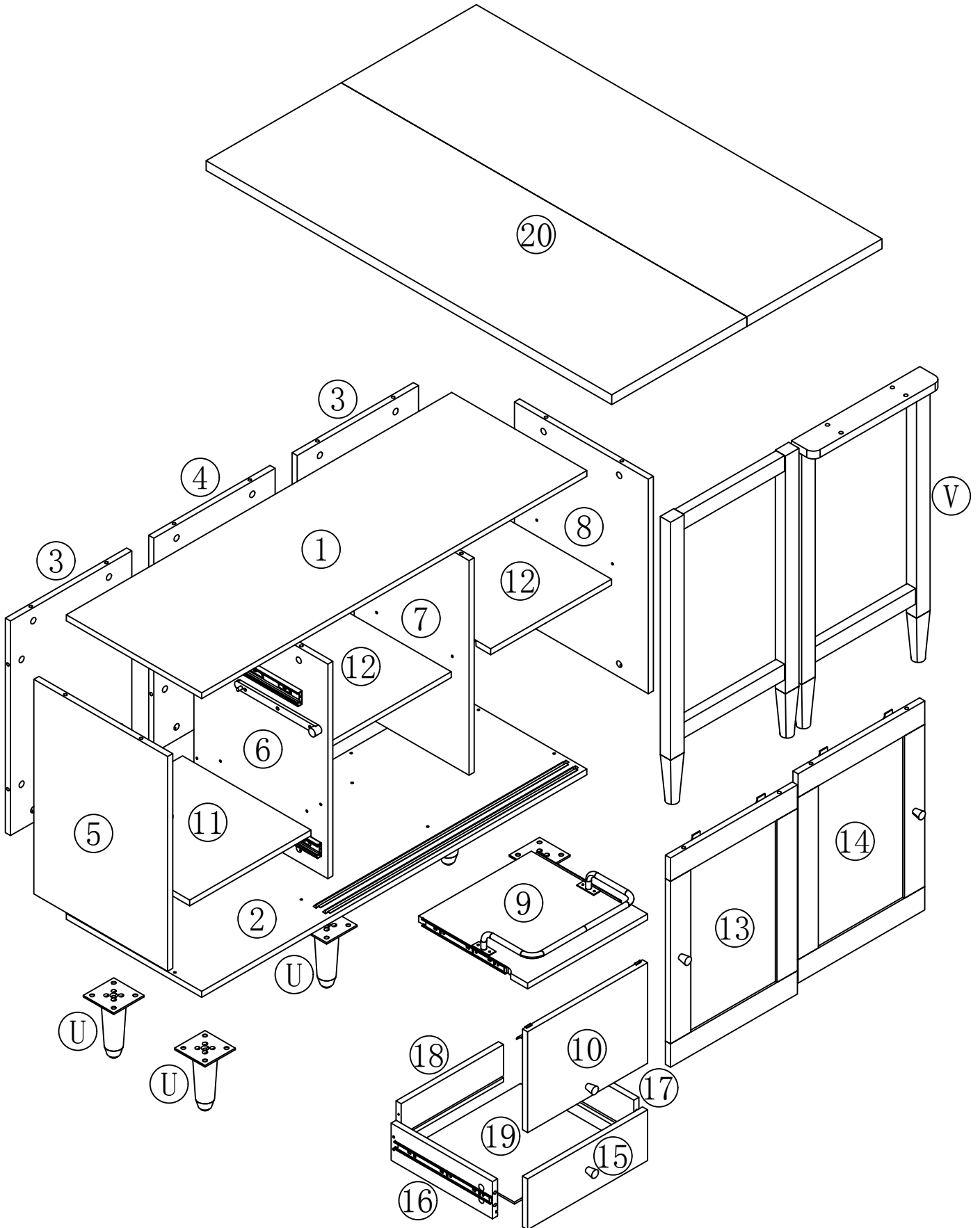
①⑨ x1



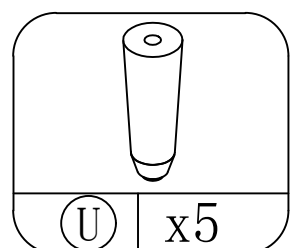
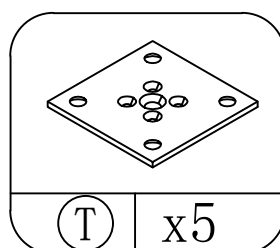
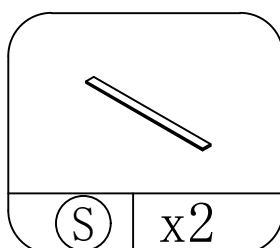
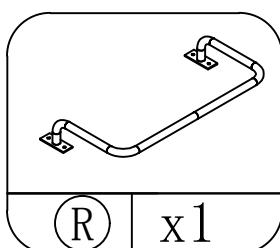
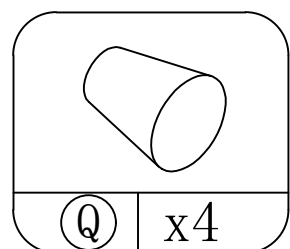
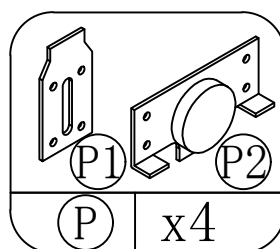
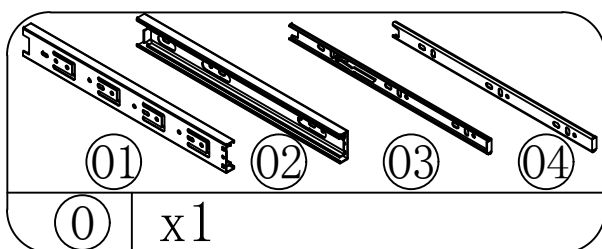
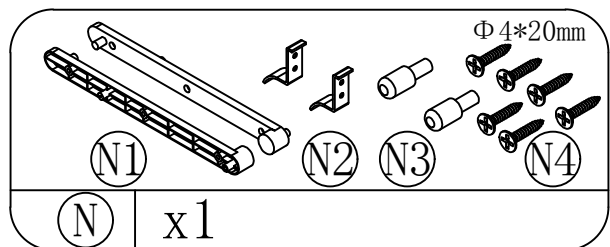
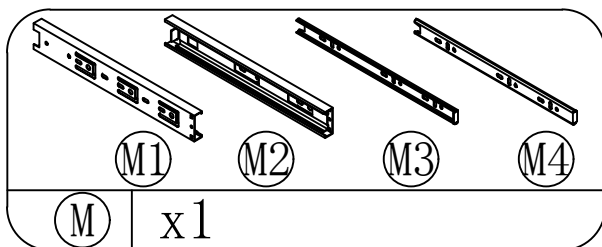
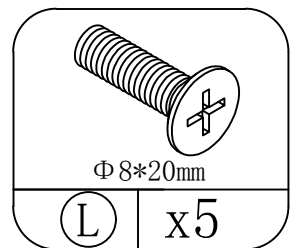
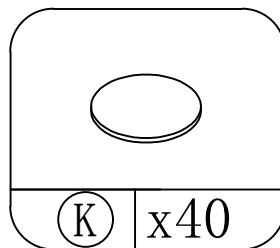
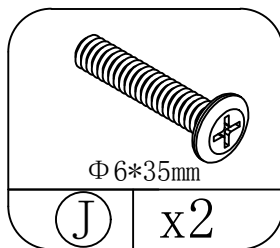
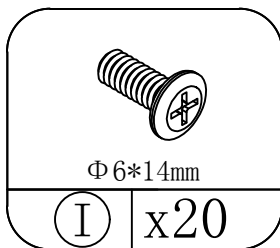
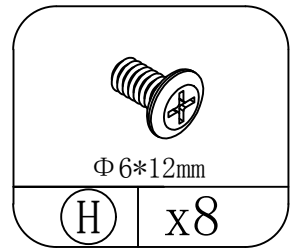
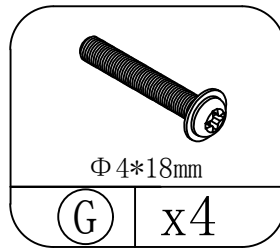
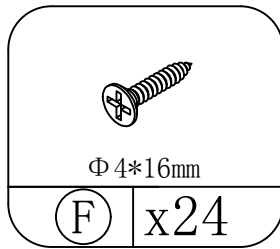
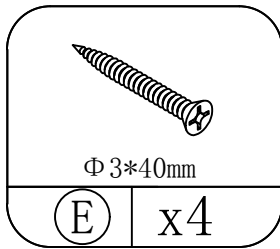
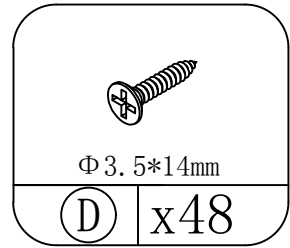
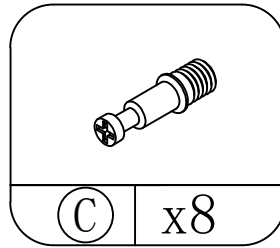
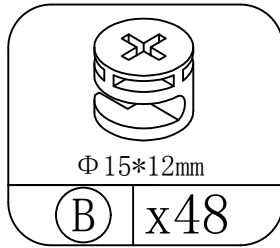
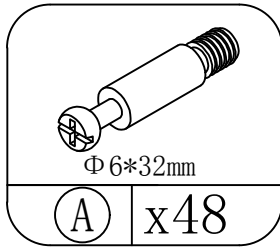
②⑦ x1



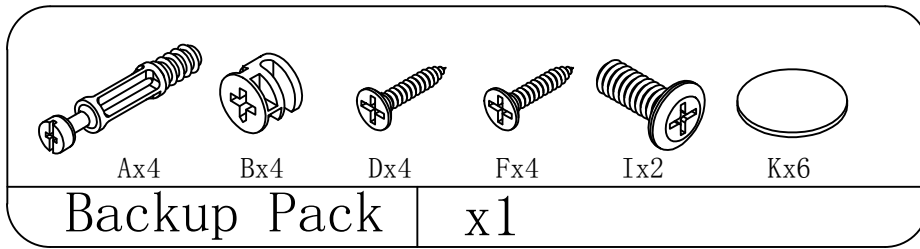
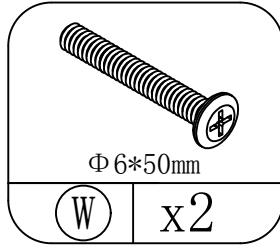
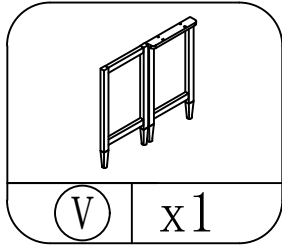
PARTS LIST



PARTS LIST

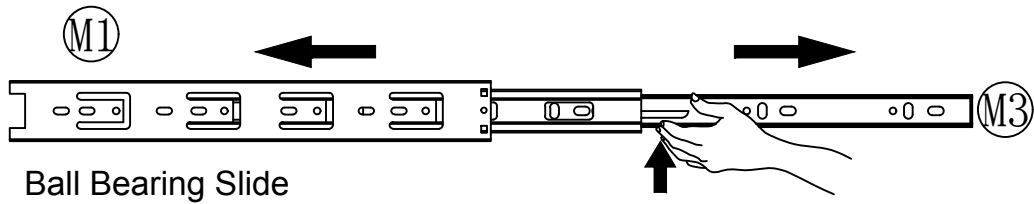


PARTS LIST

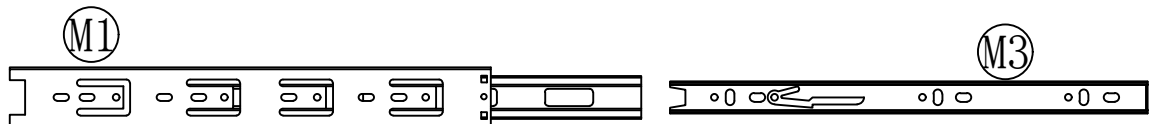


PARTS LIST

left



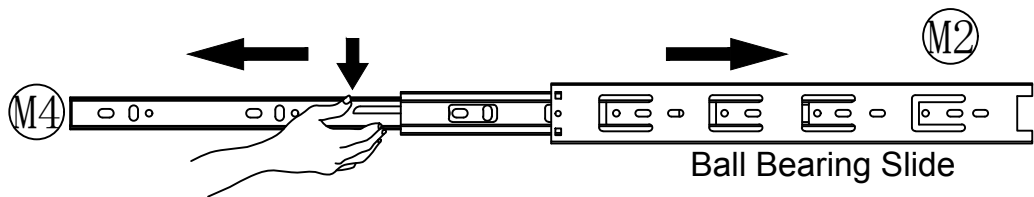
Ball Bearing Slide



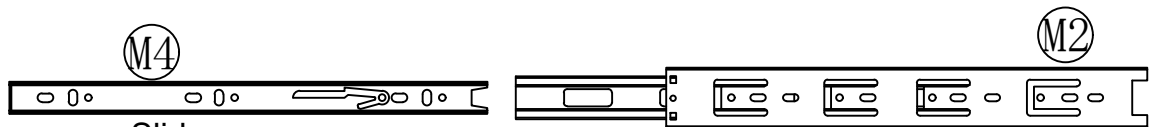
Slider runner

This narrow one need to be pulled out from the wide one. It is installed on the side panel of drawers.

right



Ball Bearing Slide



Slider runner

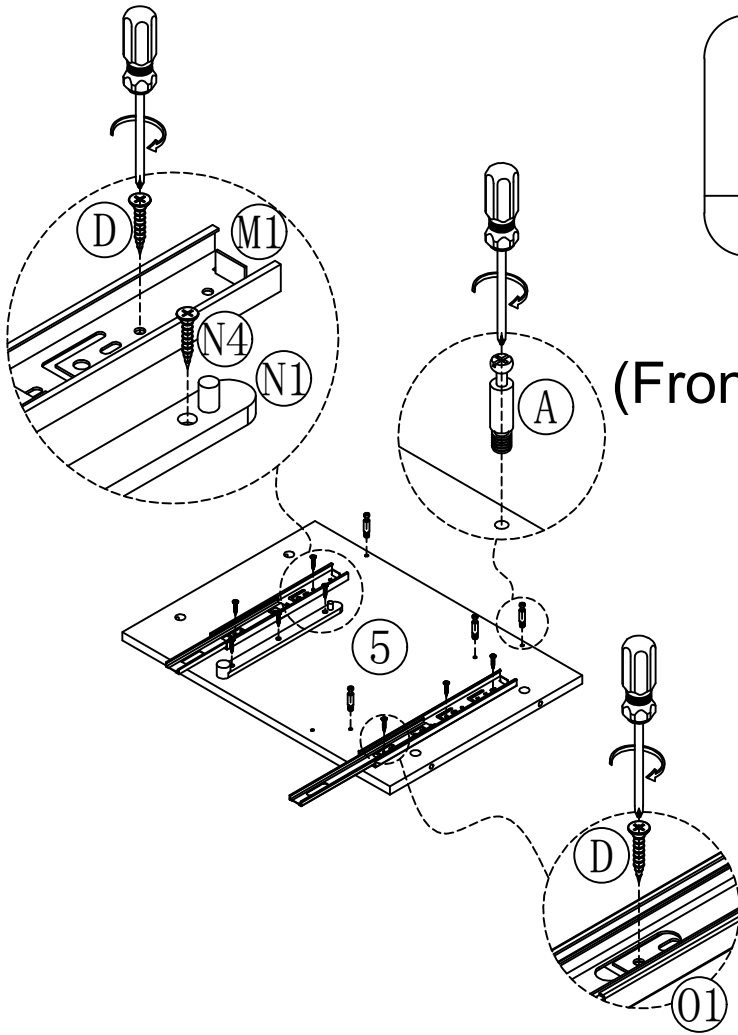
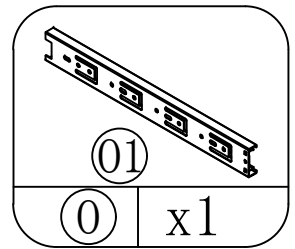
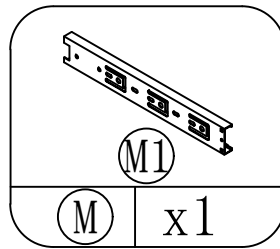
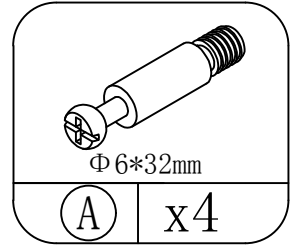
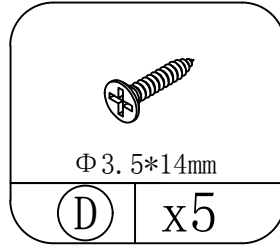
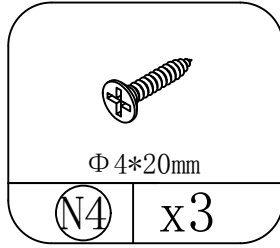
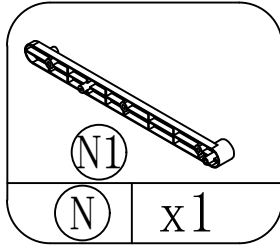
This narrow one need to be pulled out from the wide one. It is installed on the side panel of drawers.

1. One set of guide rail should be four parts.
2. Two wide guide rails are installed on the side panel of the cabinet.
3. Two narrow guide rails are installed on the side panel of drawers.

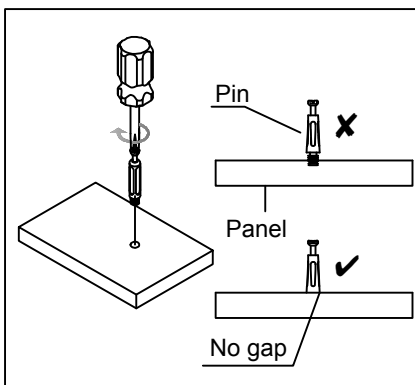
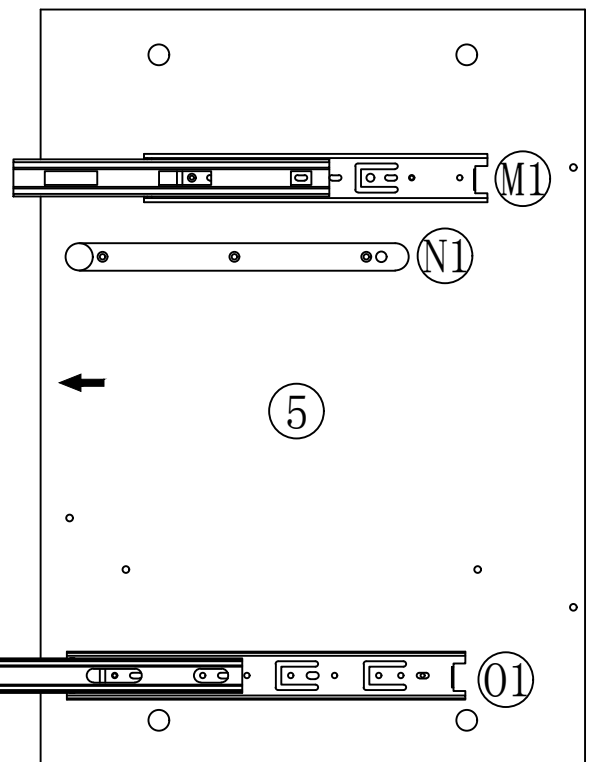
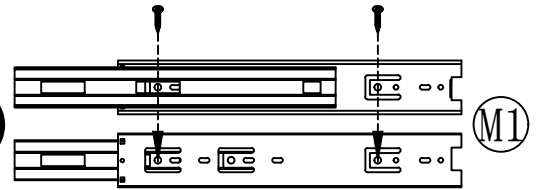
Attention:

Take care when installing the slide rails as they have been pre-lubricated

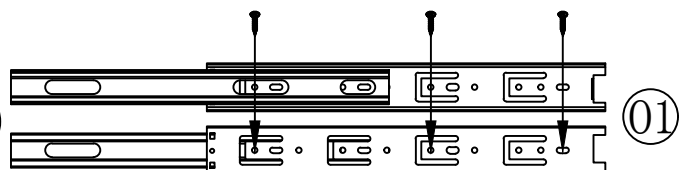
Step 1



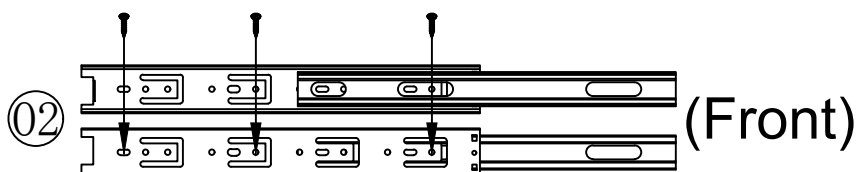
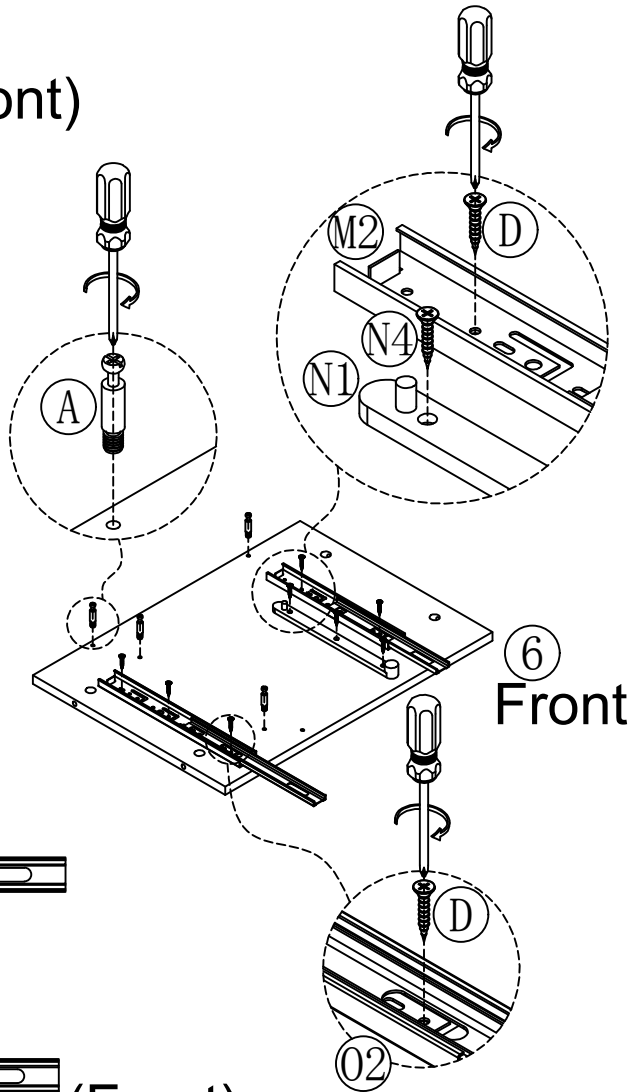
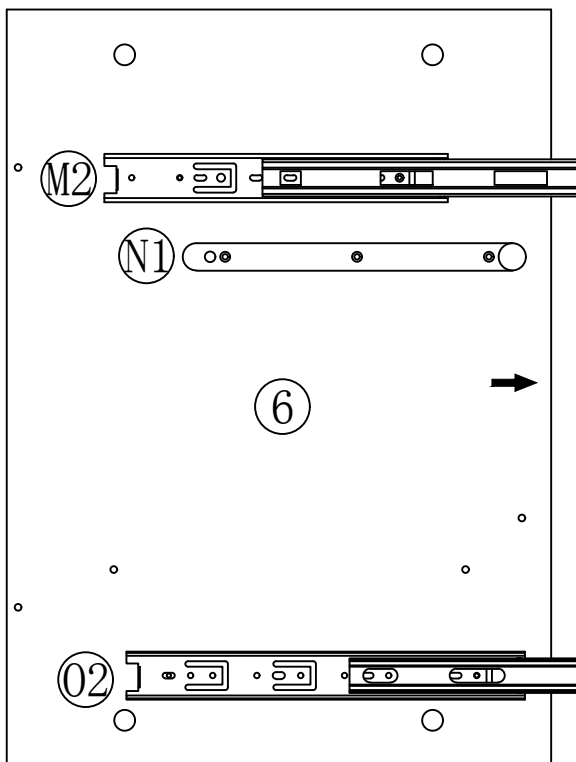
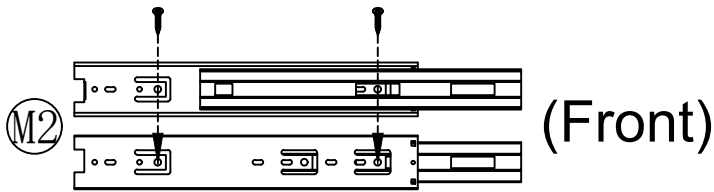
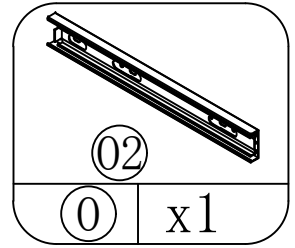
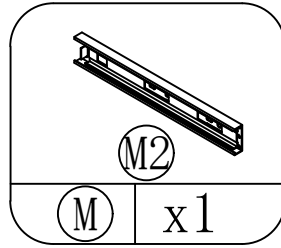
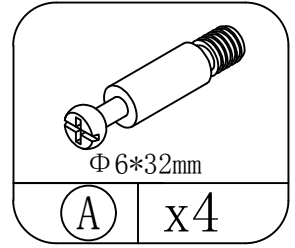
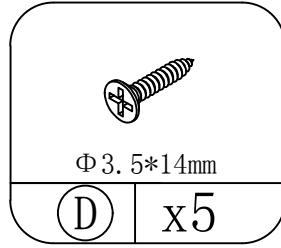
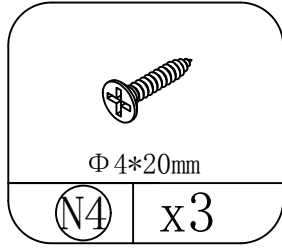
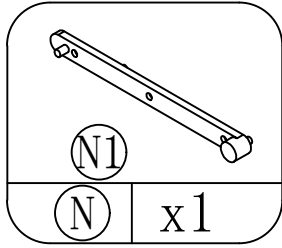
(Front)



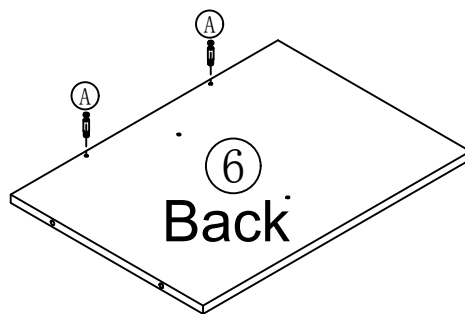
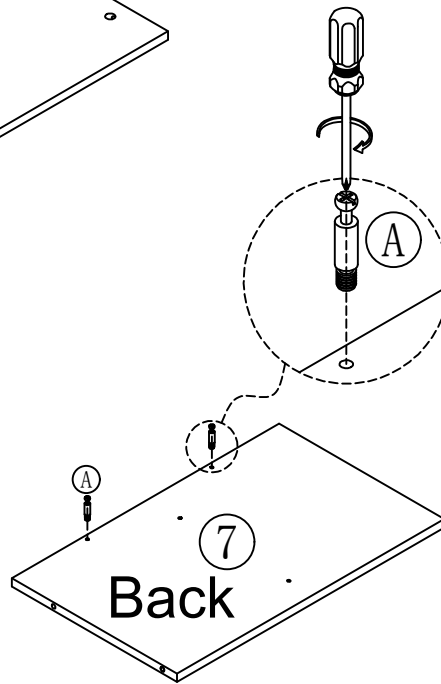
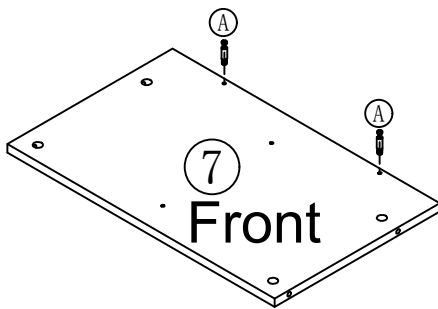
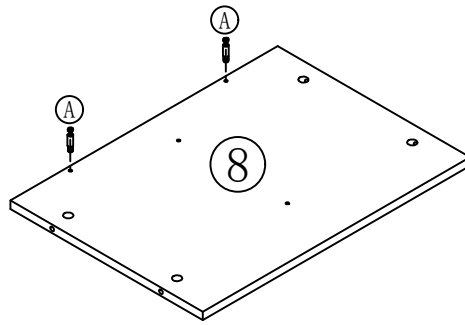
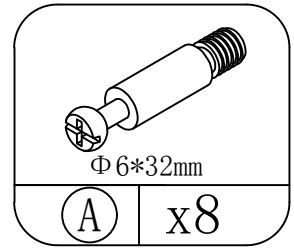
(Front)



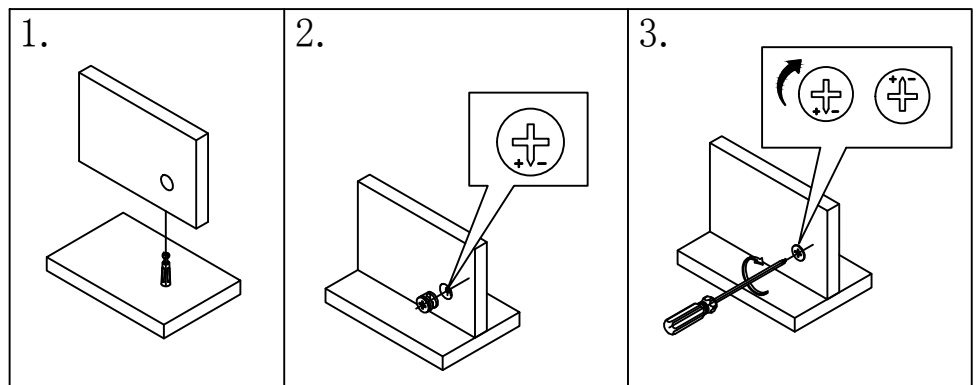
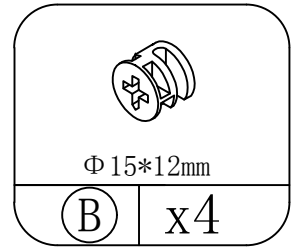
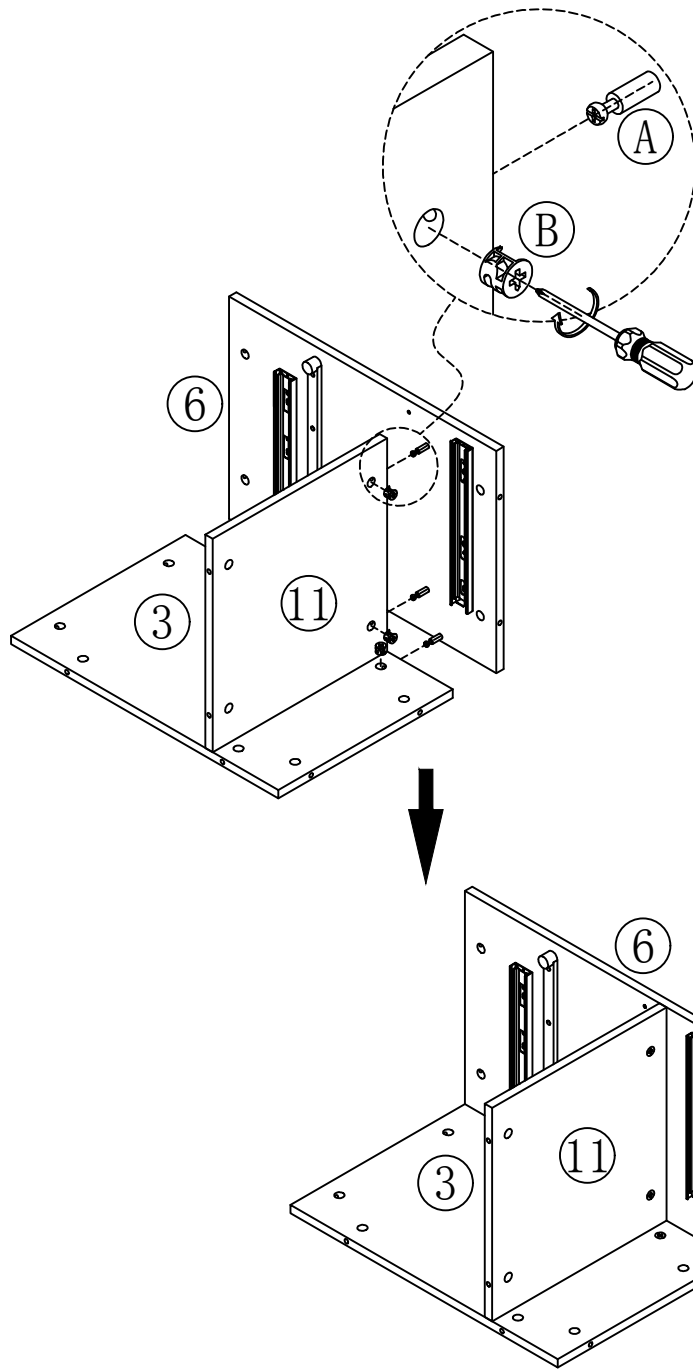
Step 2



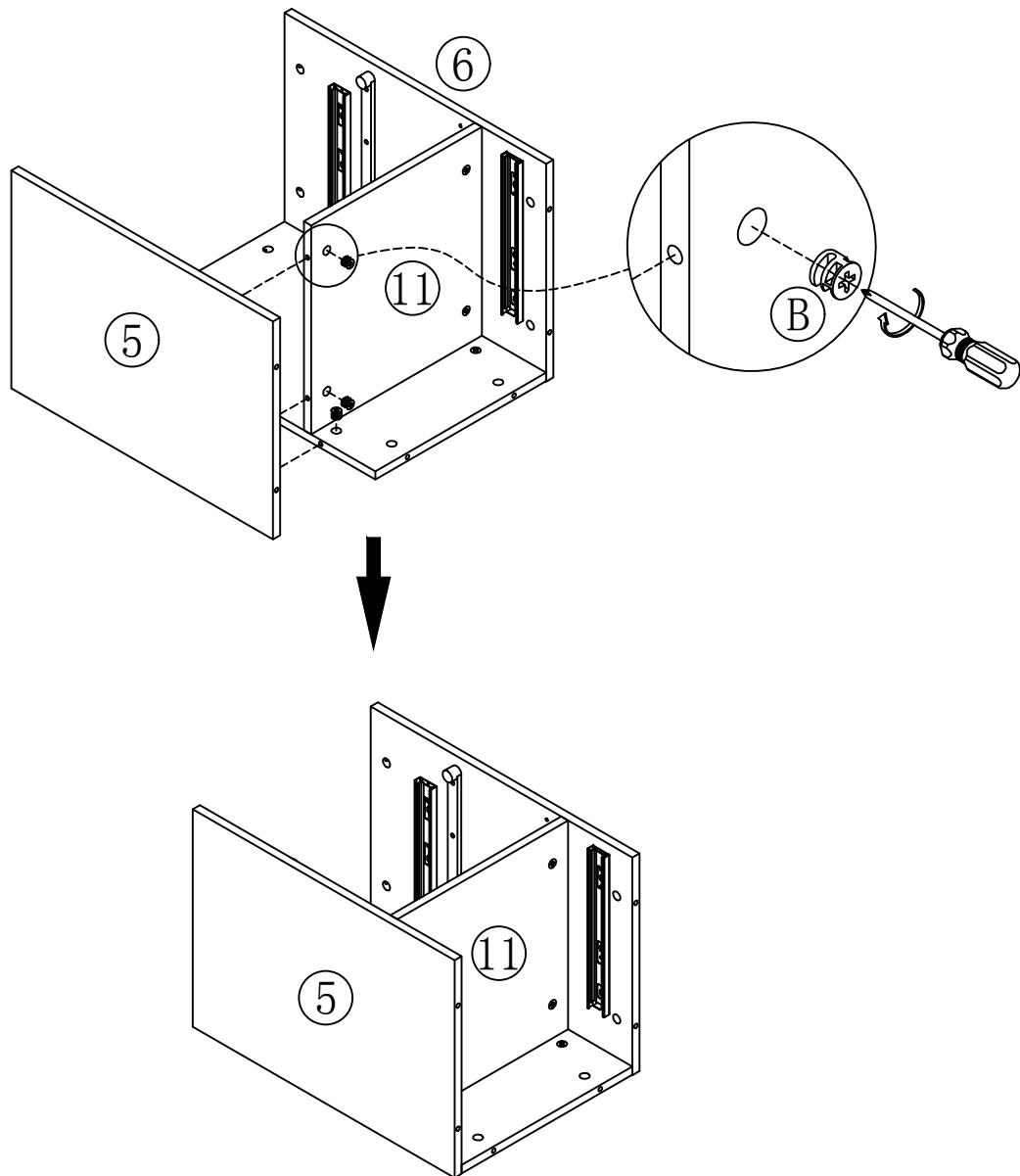
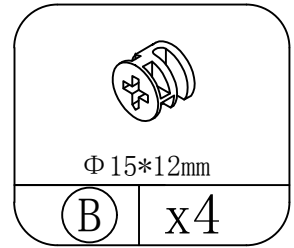
Step 3



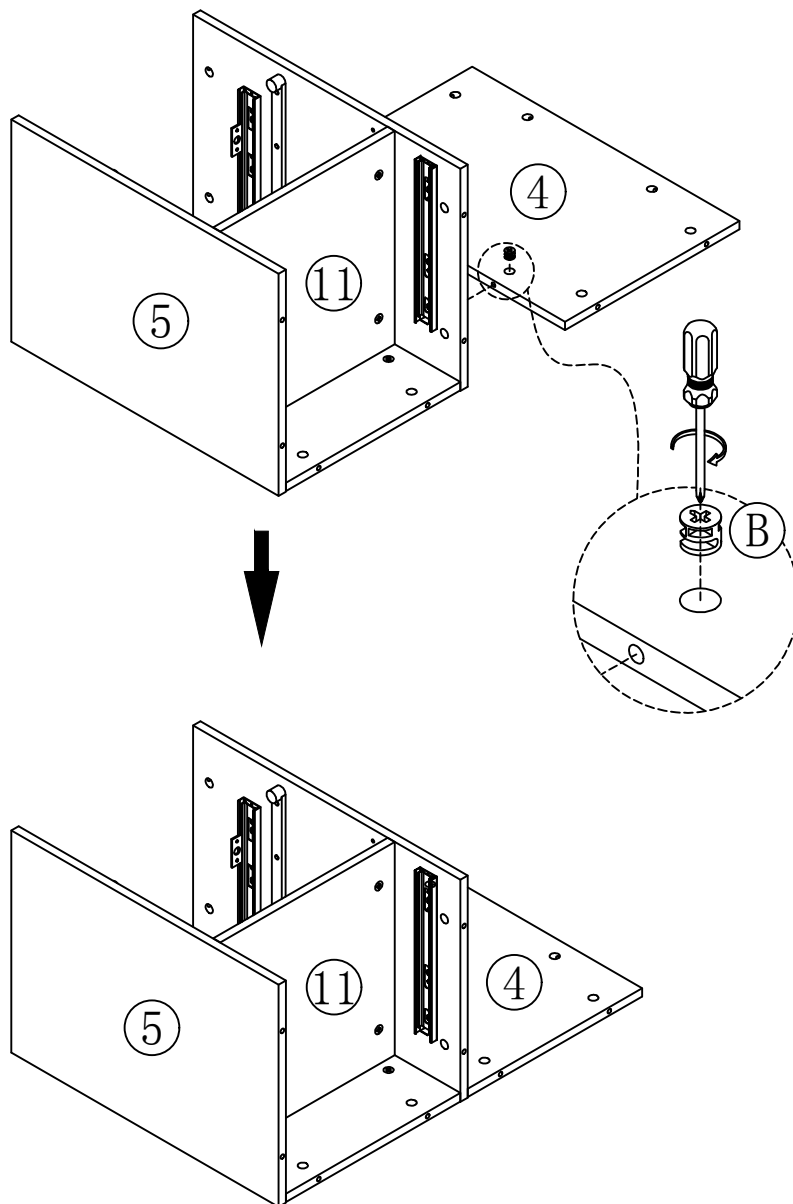
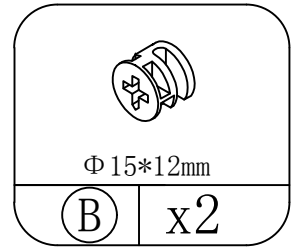
Step 4



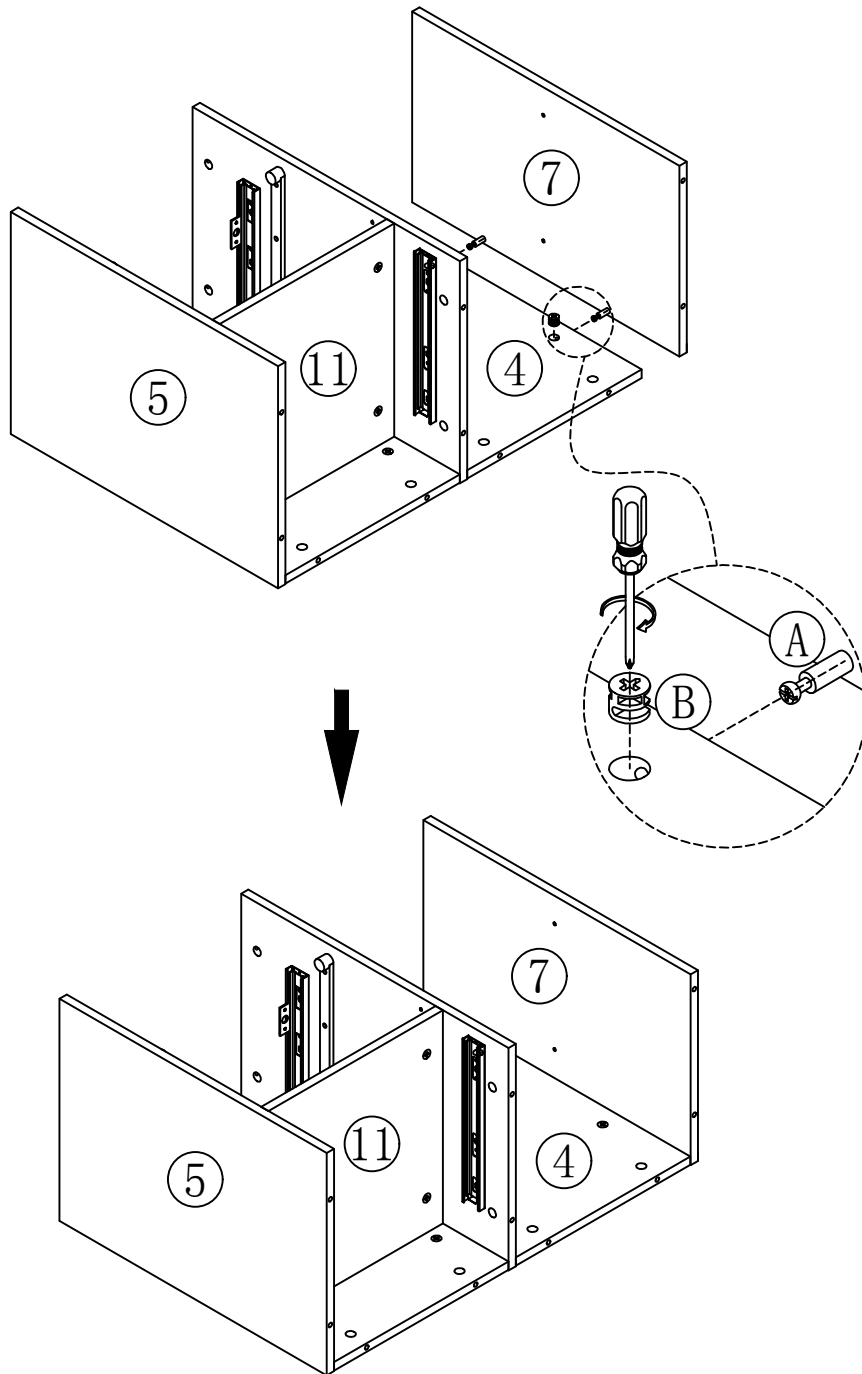
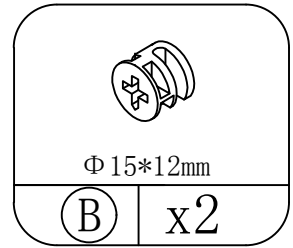
Step 5



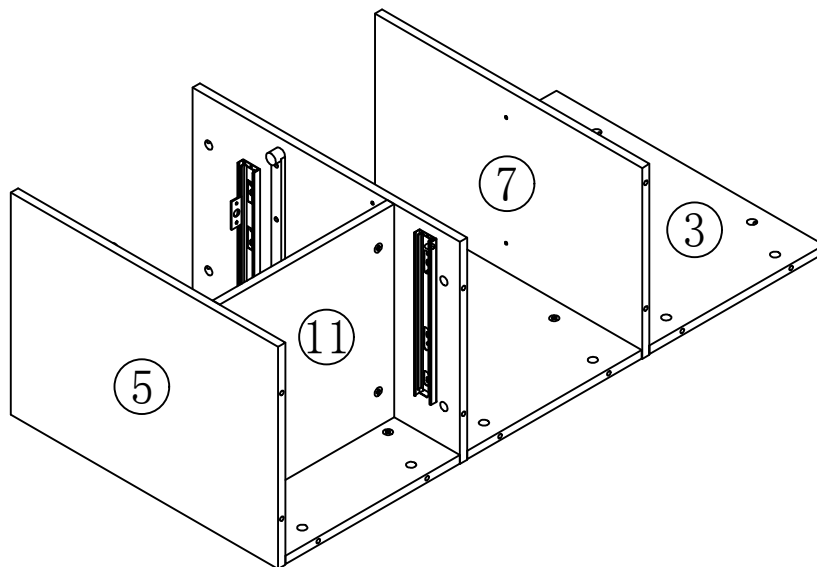
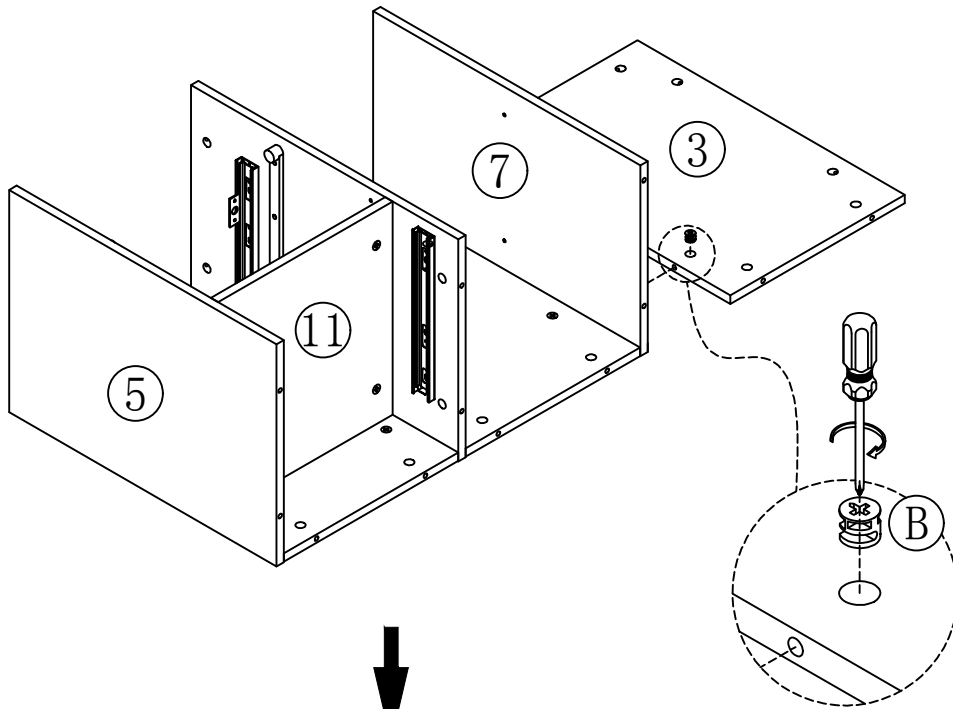
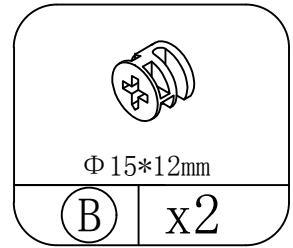
Step 6



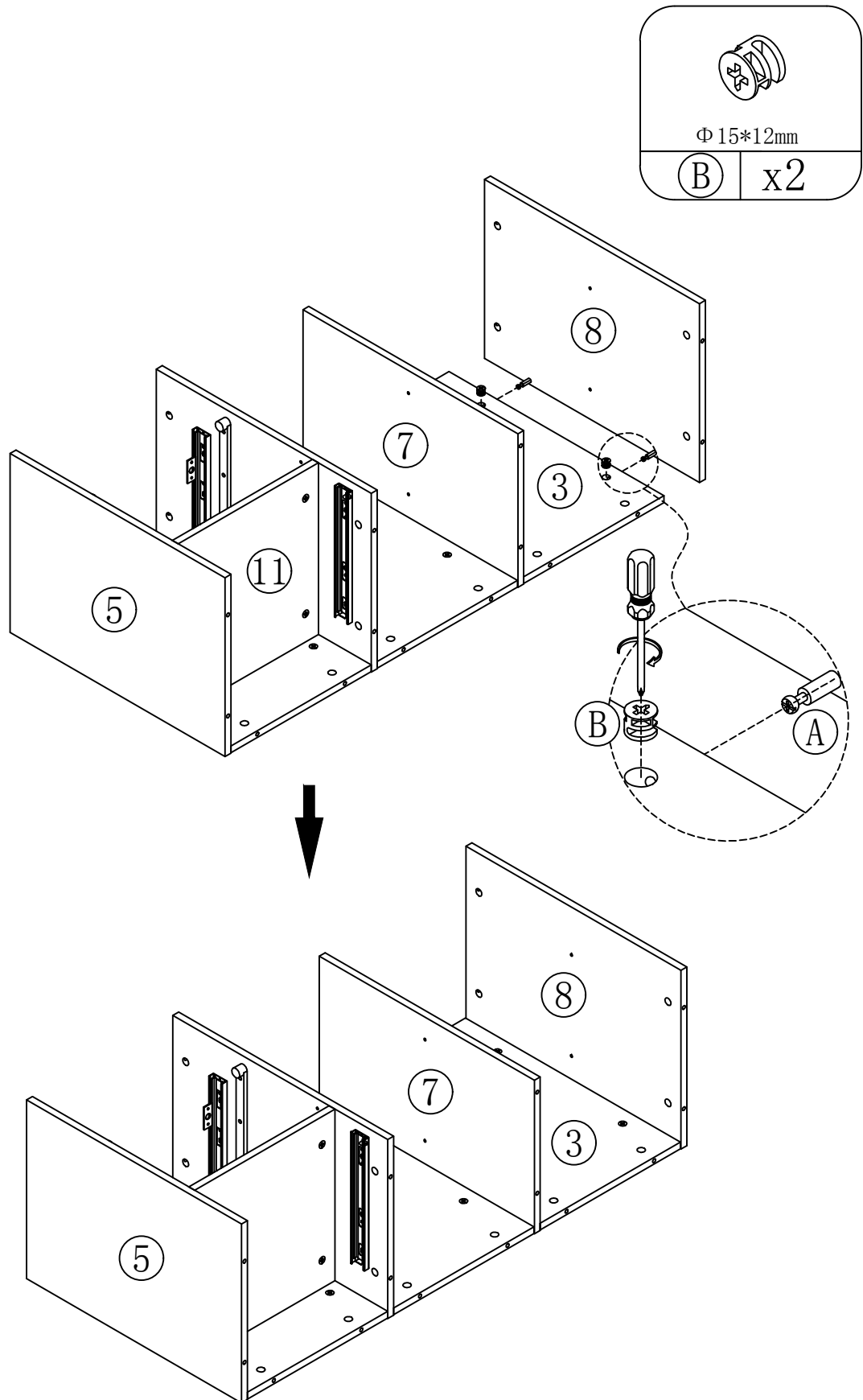
Step 7



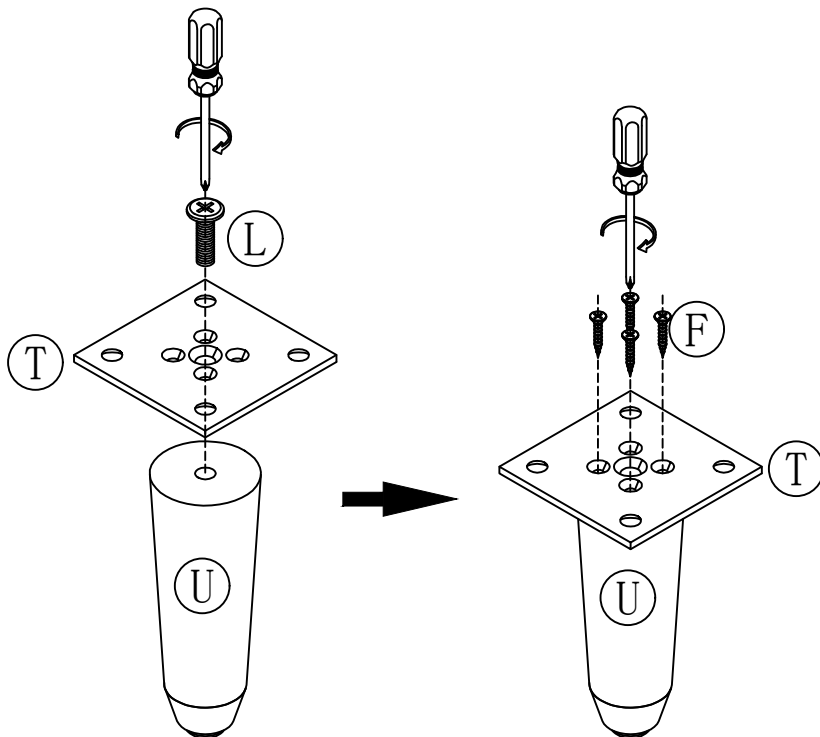
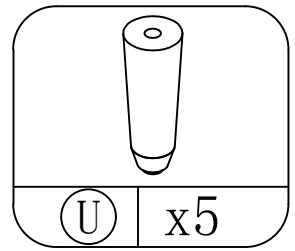
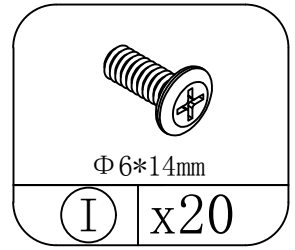
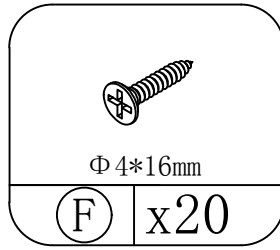
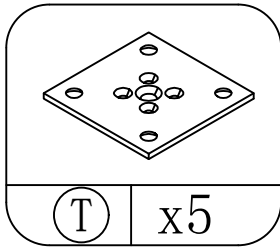
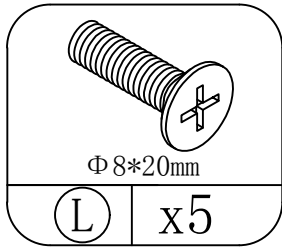
Step 8



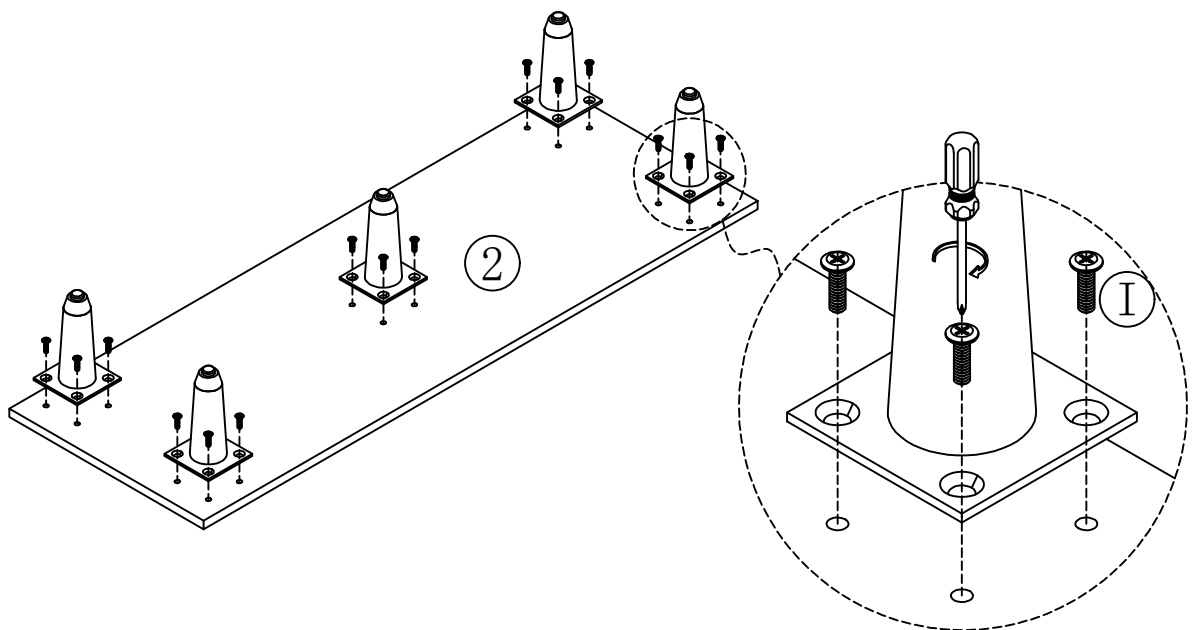
Step 9



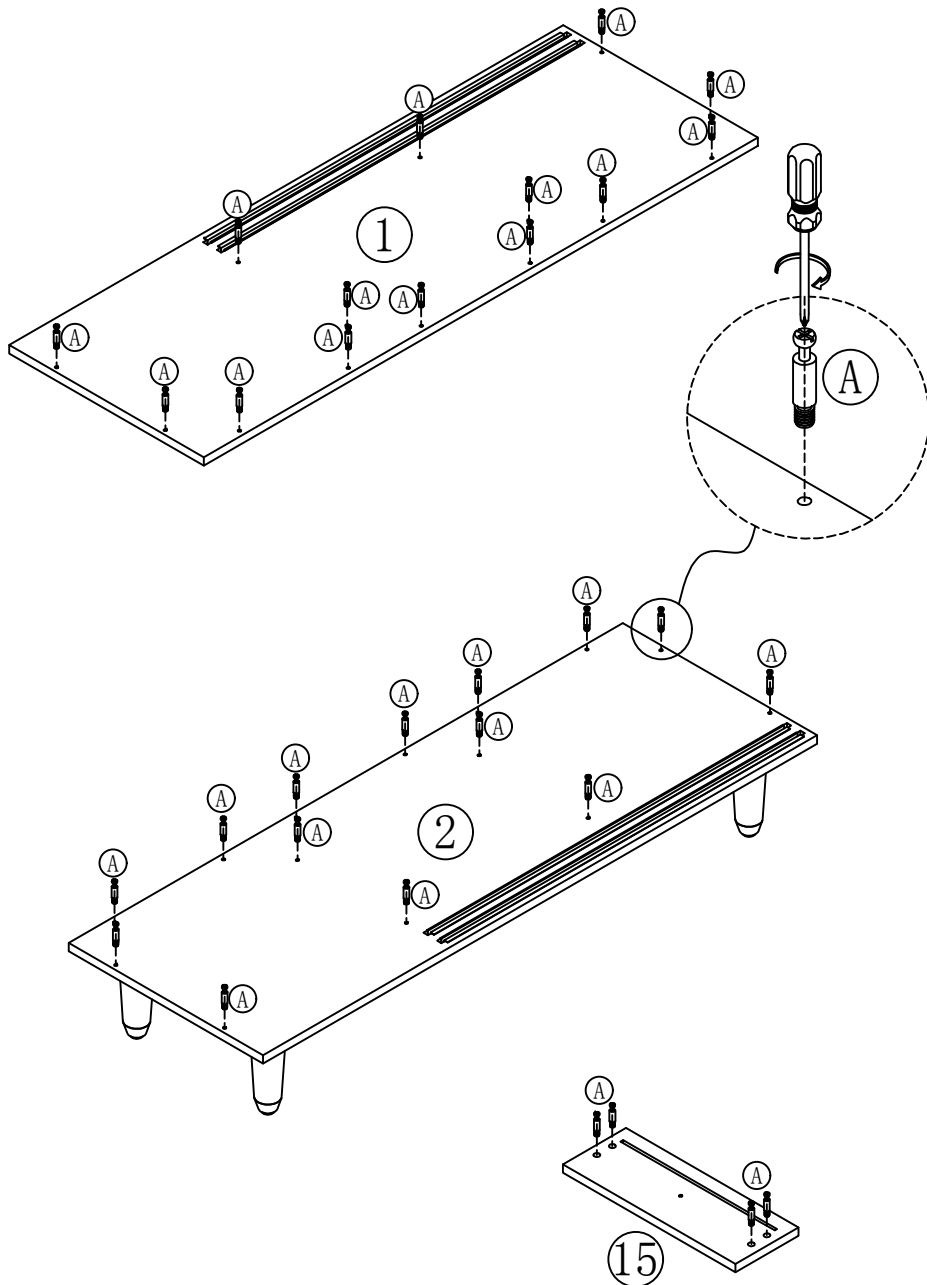
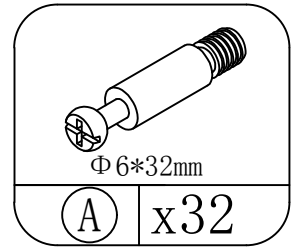
Step 10



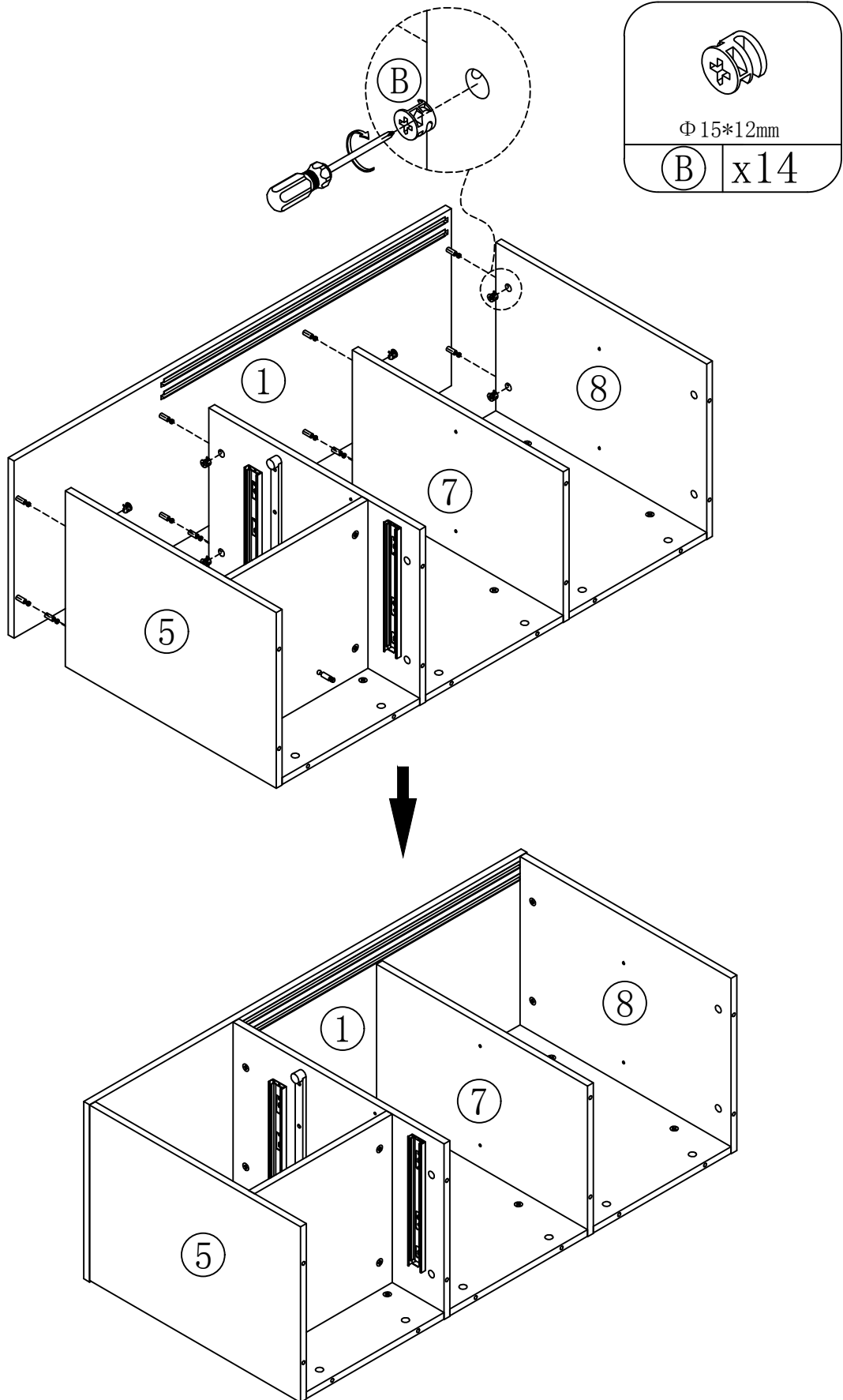
X5



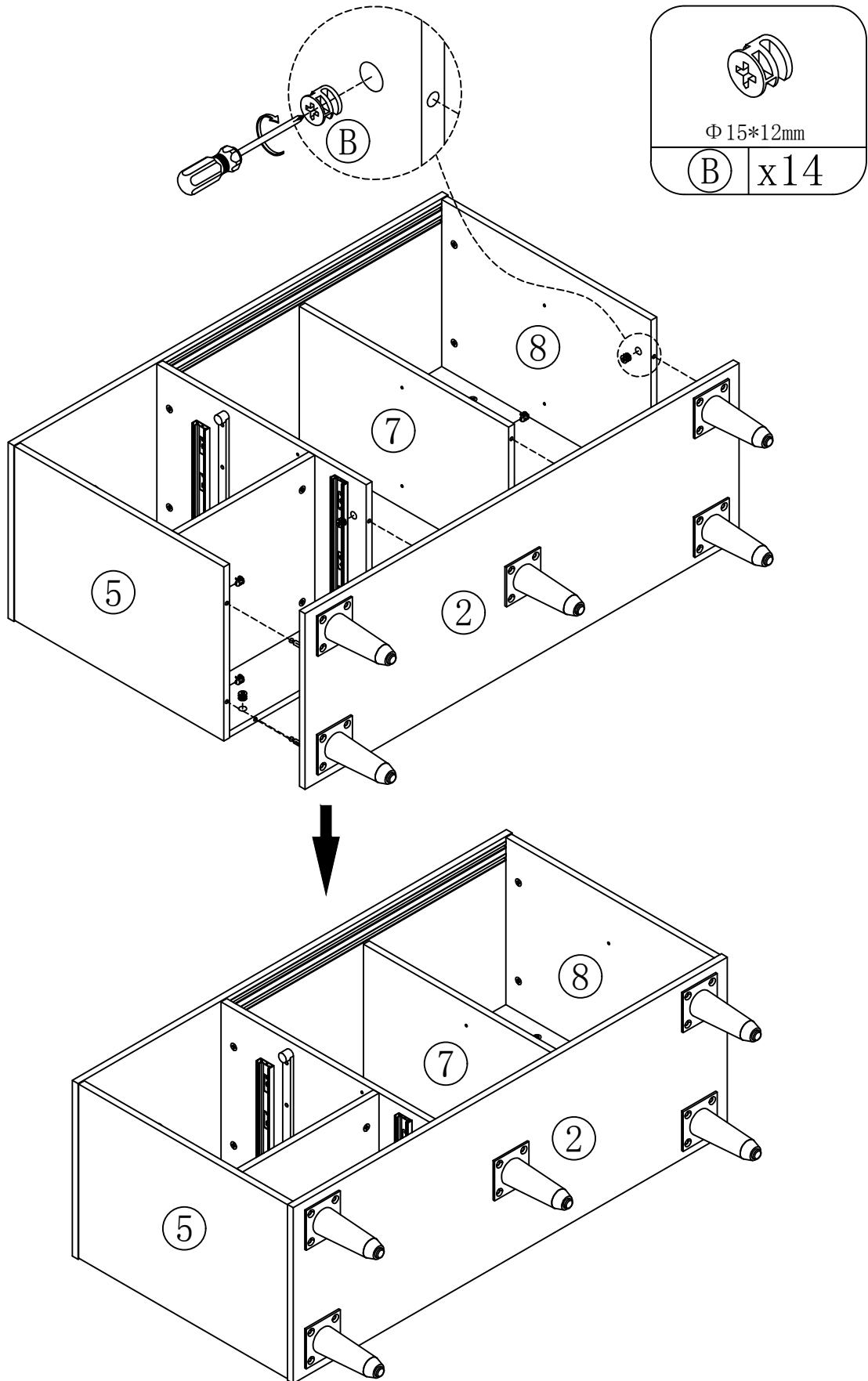
Step 11



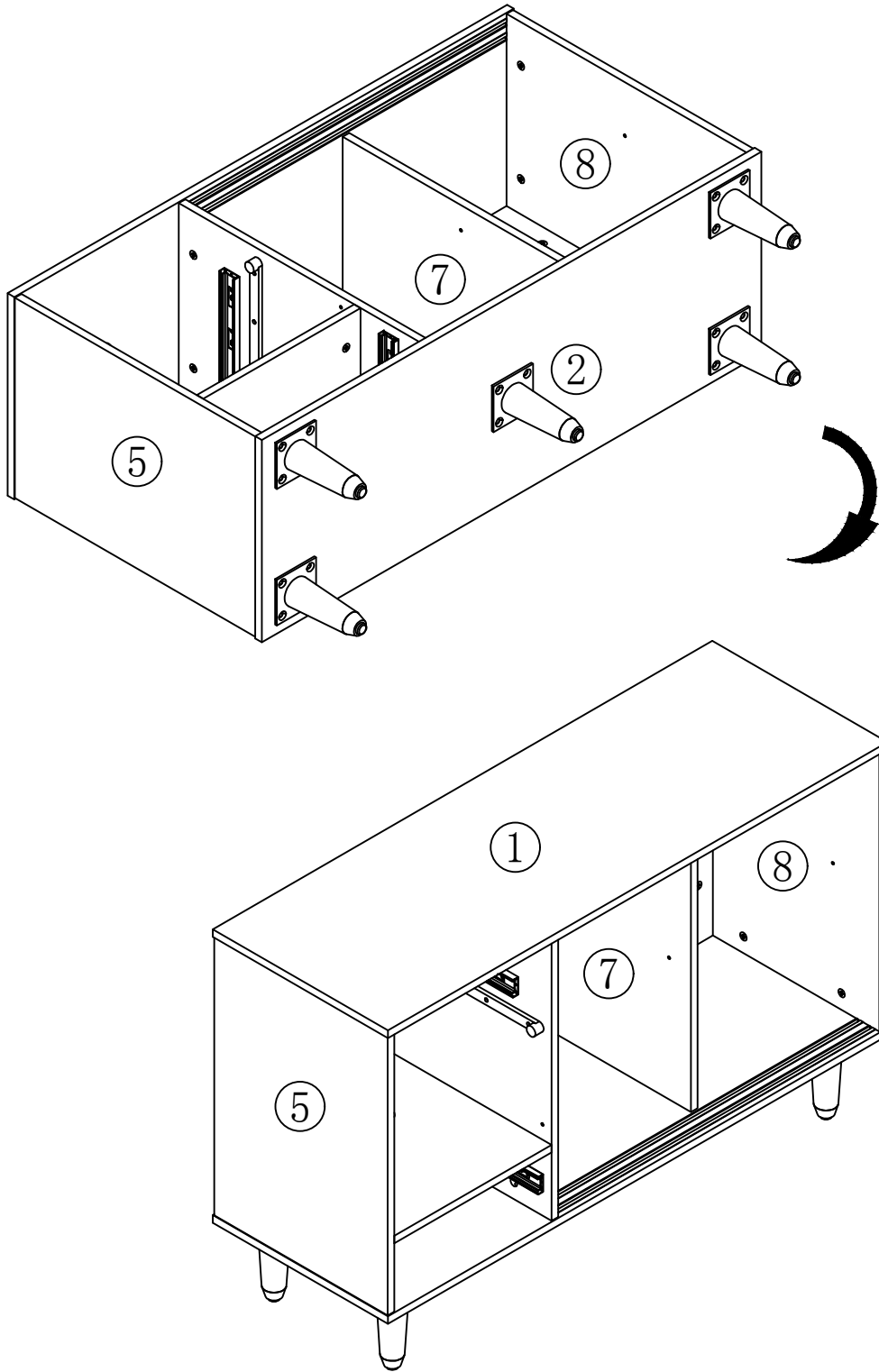
Step 12



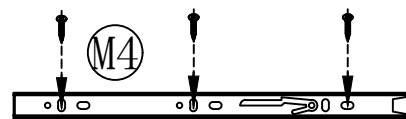
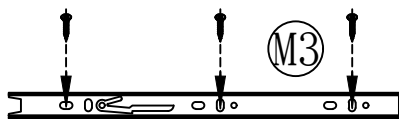
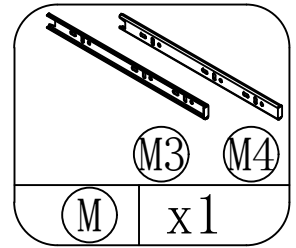
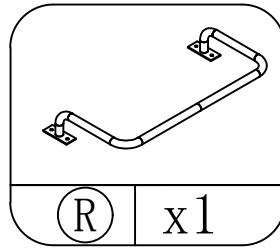
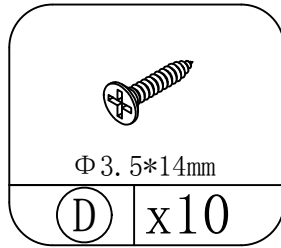
Step 13



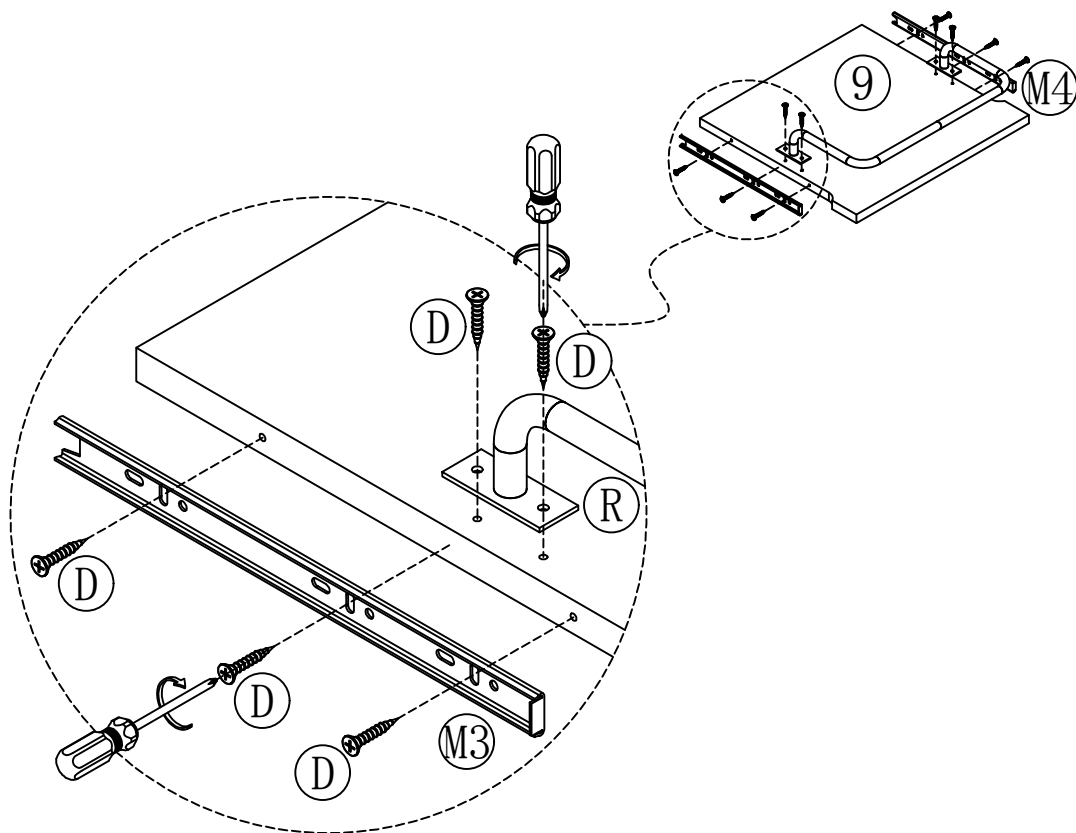
Step 14



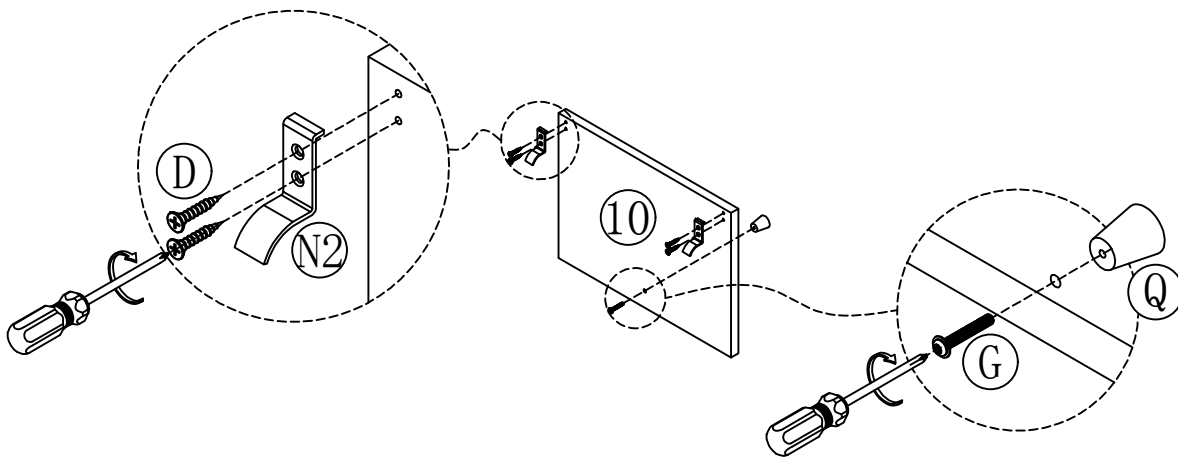
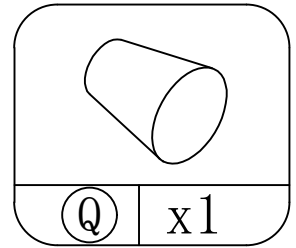
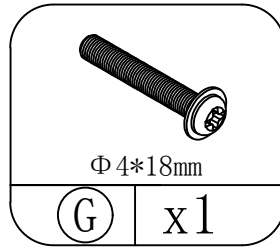
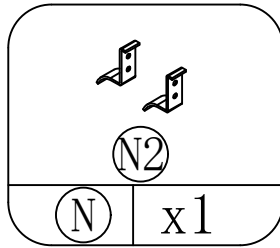
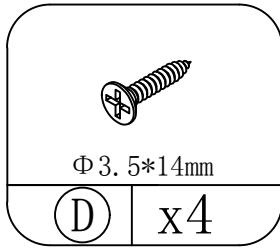
Step 15



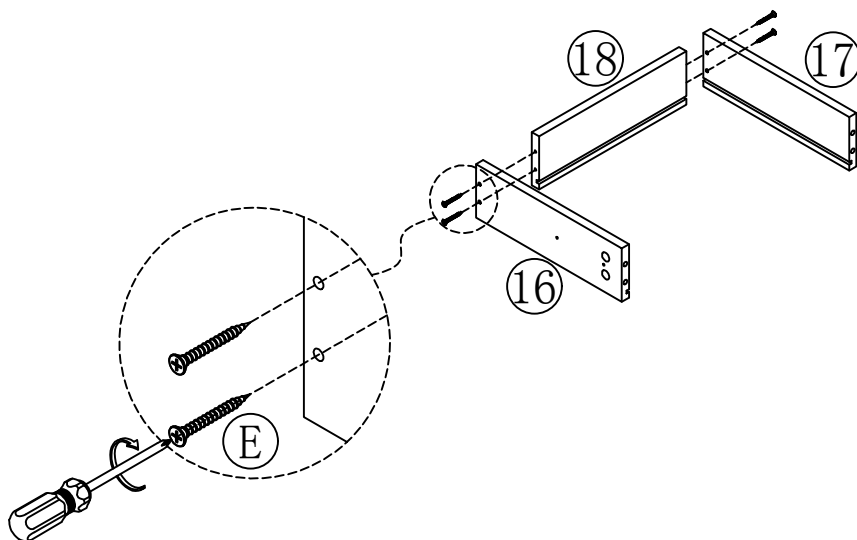
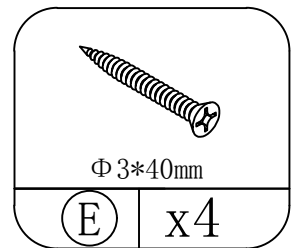
(Front)



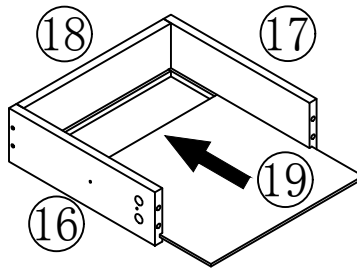
Step 16



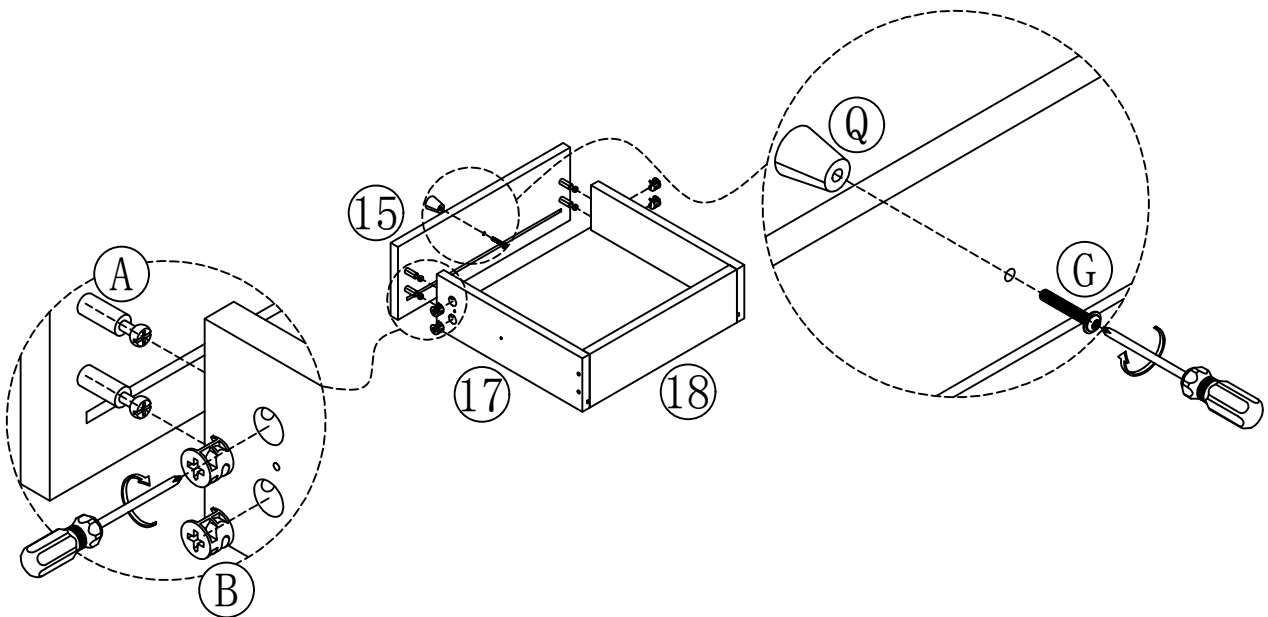
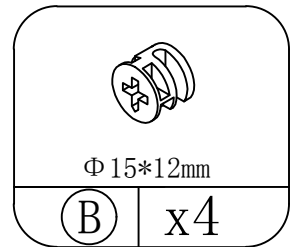
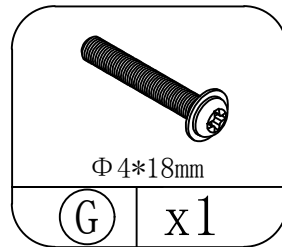
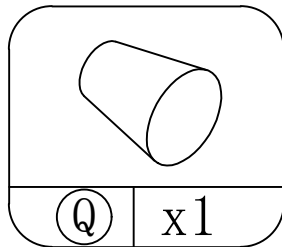
Step 17



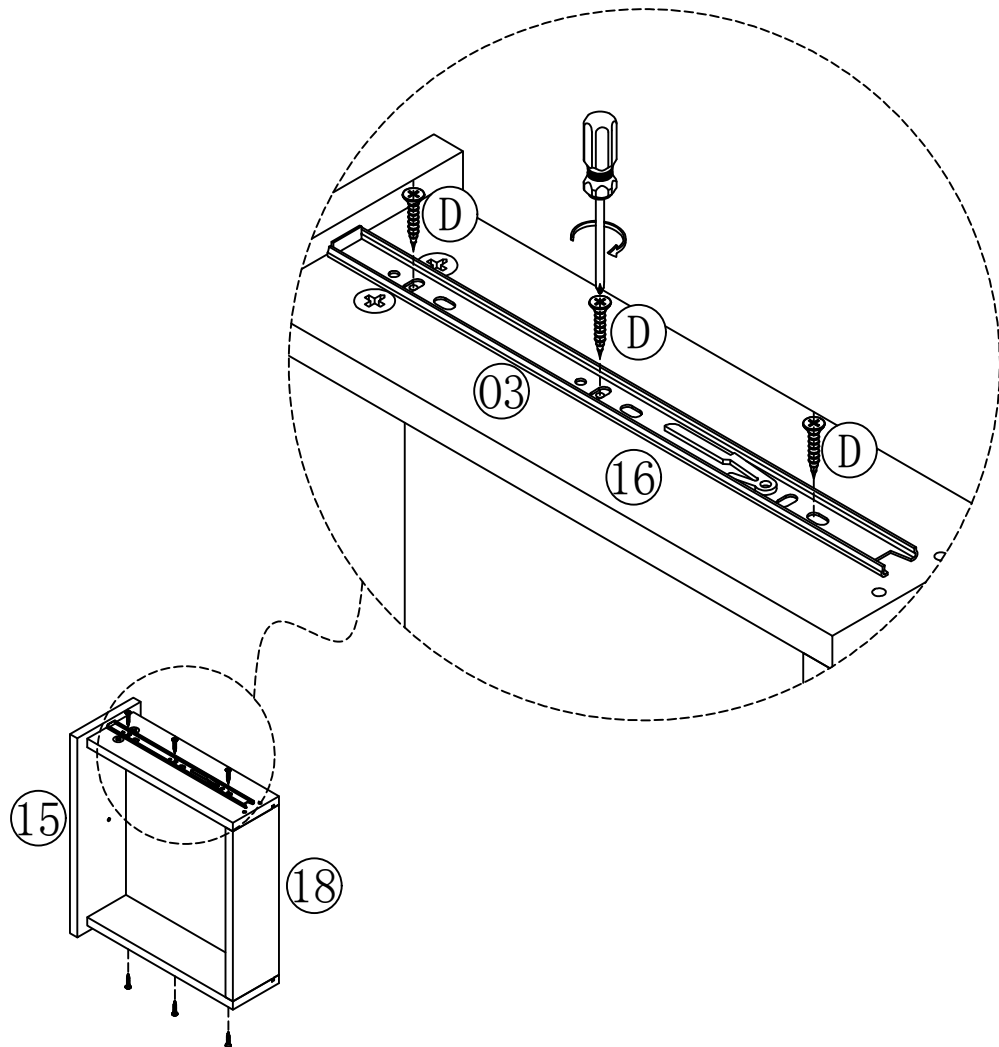
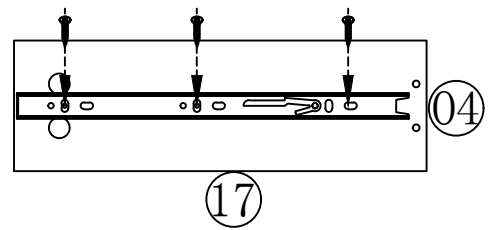
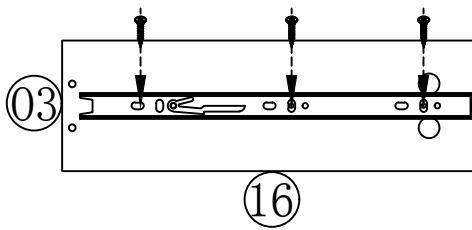
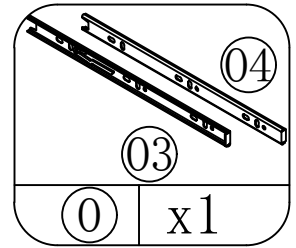
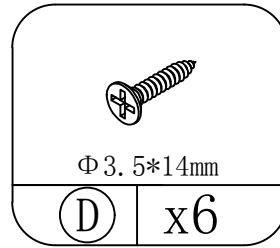
Step 18



Step 19

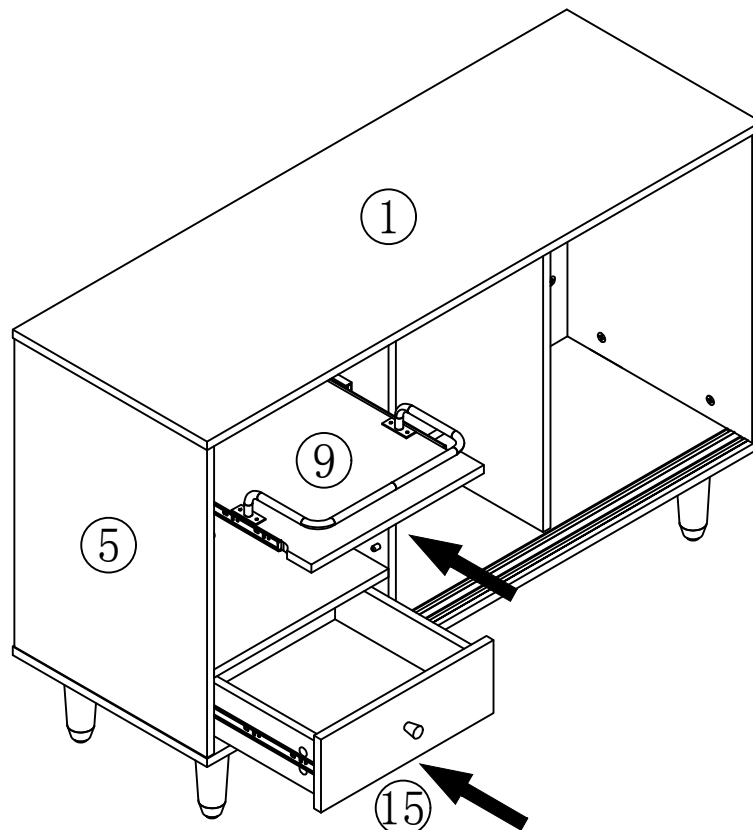
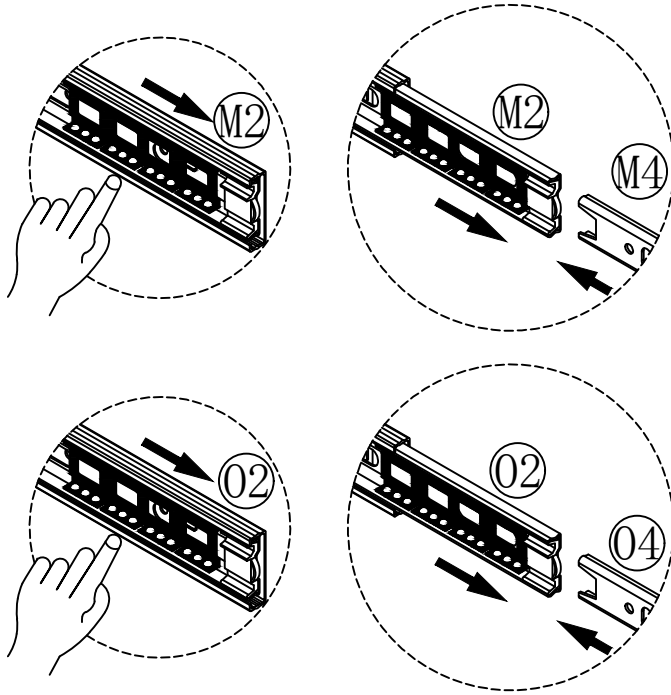


Step 20

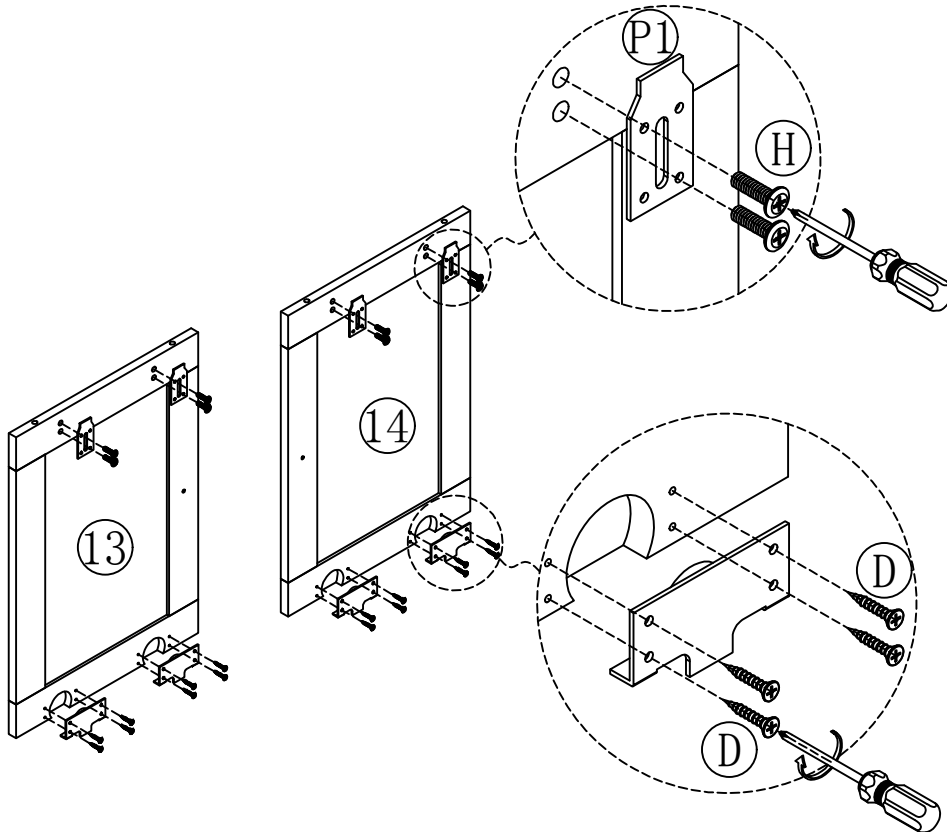
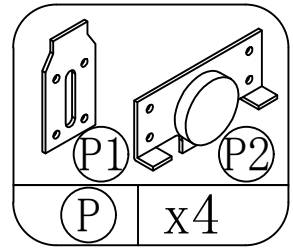
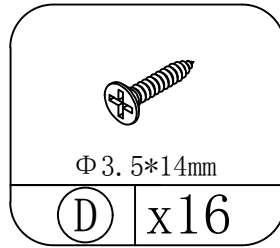
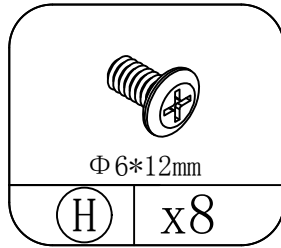


Step 21

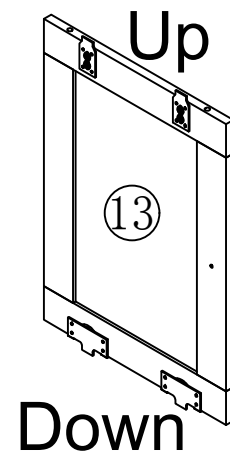
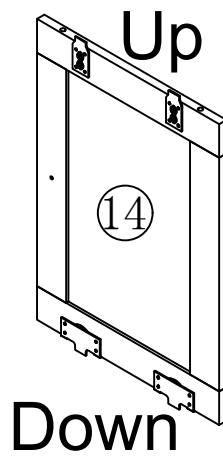
Move the sliders to the front end of rail before sliding the drawer into place.



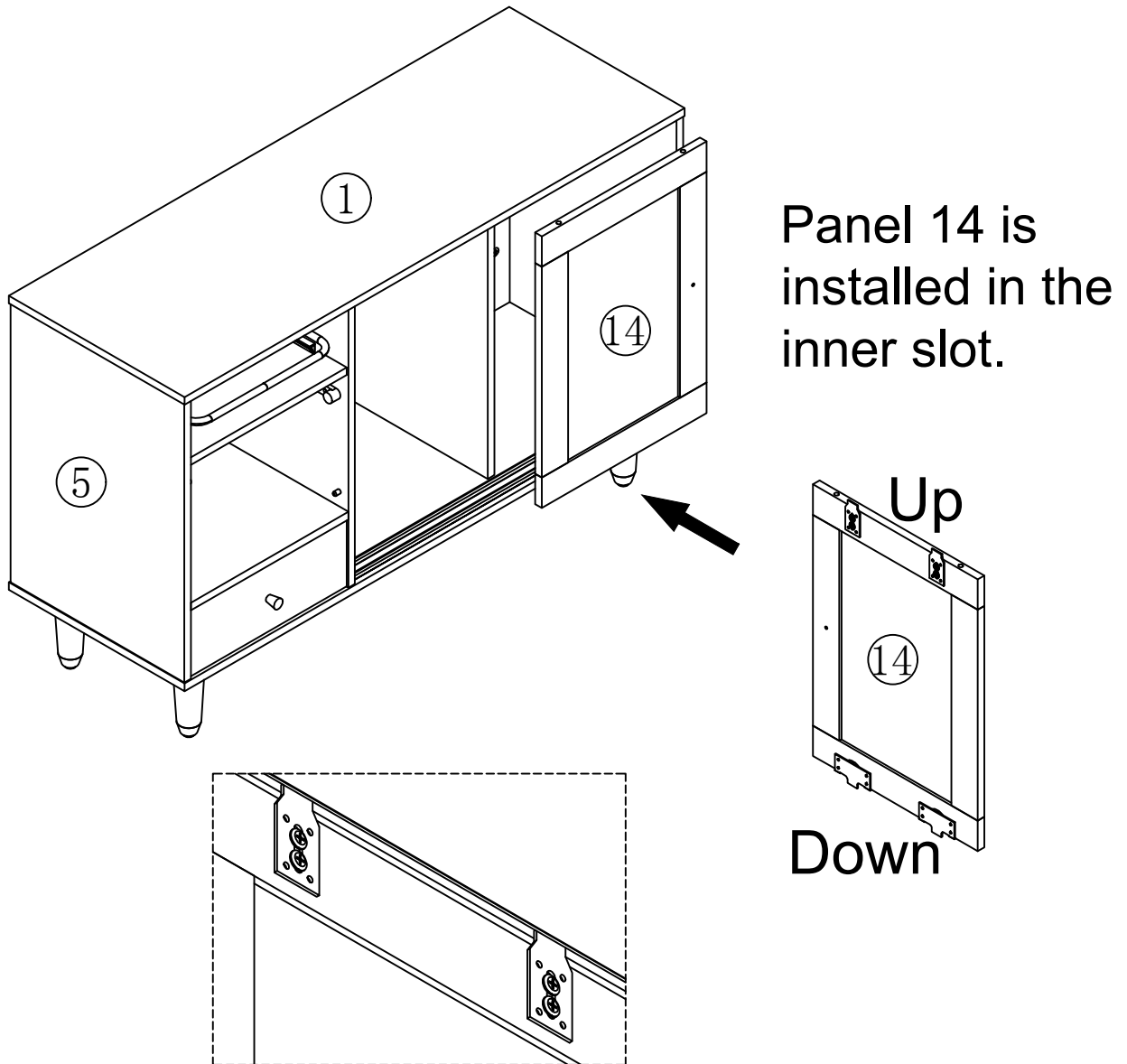
Step 22



1. Keep screw H loose (don't tighten yet).
2. After door is connected cabinet, fully tighten H.



Step 23

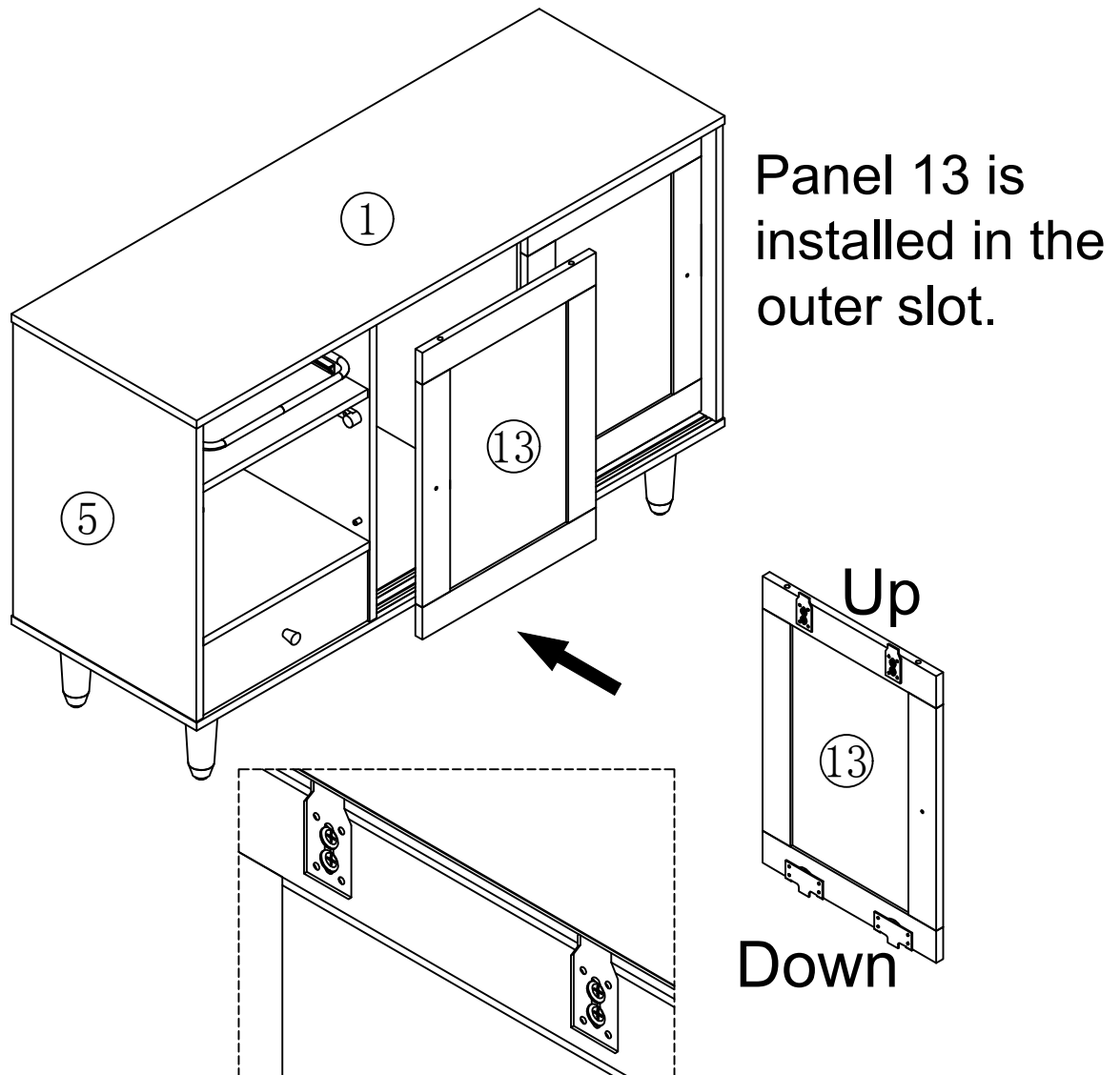


ATTENTION:

When attaching P1 to the upper section of the door panel using screw H, do not fully tighten it initially.

1. After installing P1, insert the upper P1 assembly into the slot on the top panel.
2. Next, align and insert the lower P2 component into the corresponding slot on the bottom panel.
3. Finally, fully tighten screw H to secure all components in place.

Step 24

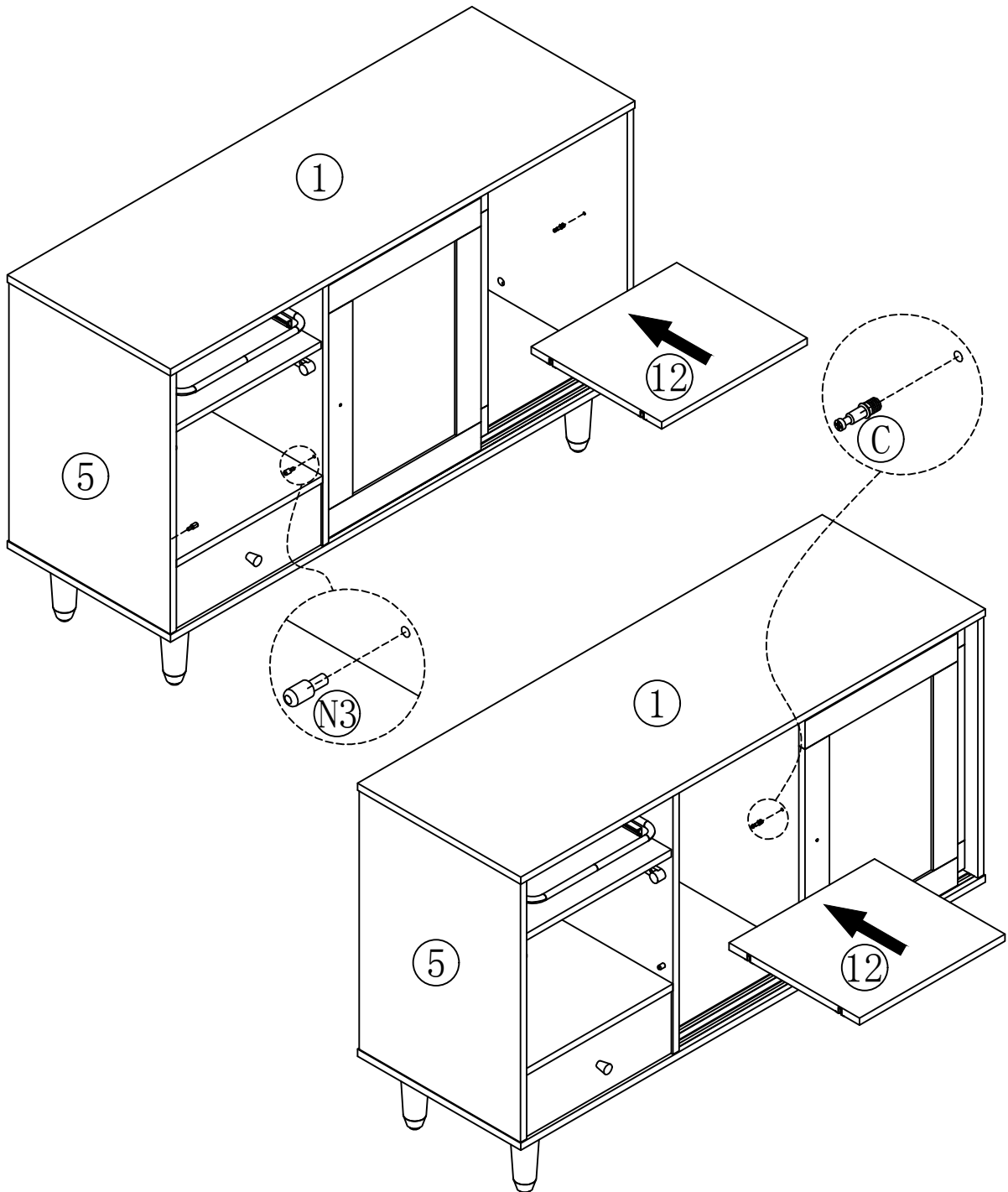
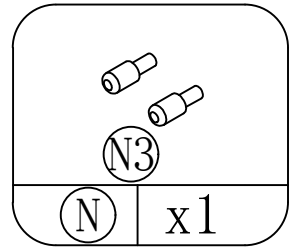
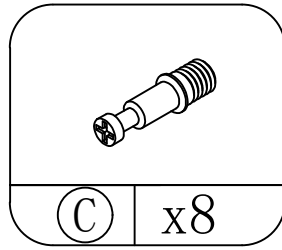


ATTENTION:

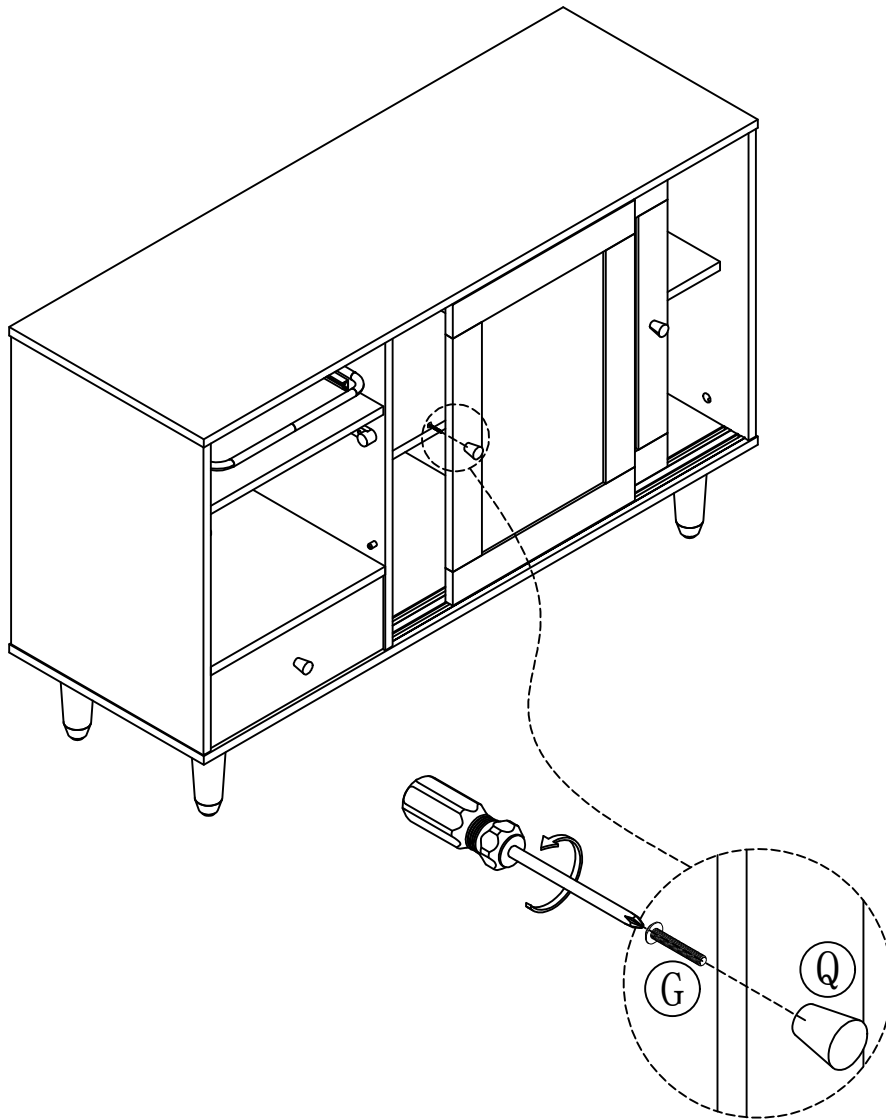
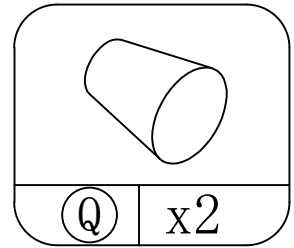
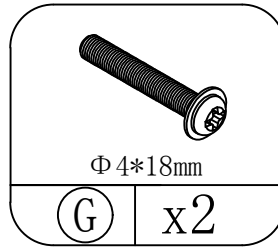
When attaching P1 to the upper section of the door panel using screw H, do not fully tighten it initially.

1. After installing P1, insert the upper P1 assembly into the slot on the top panel.
2. Next, align and insert the lower P2 component into the corresponding slot on the bottom panel.
3. Finally, fully tighten screw H to secure all components in place.

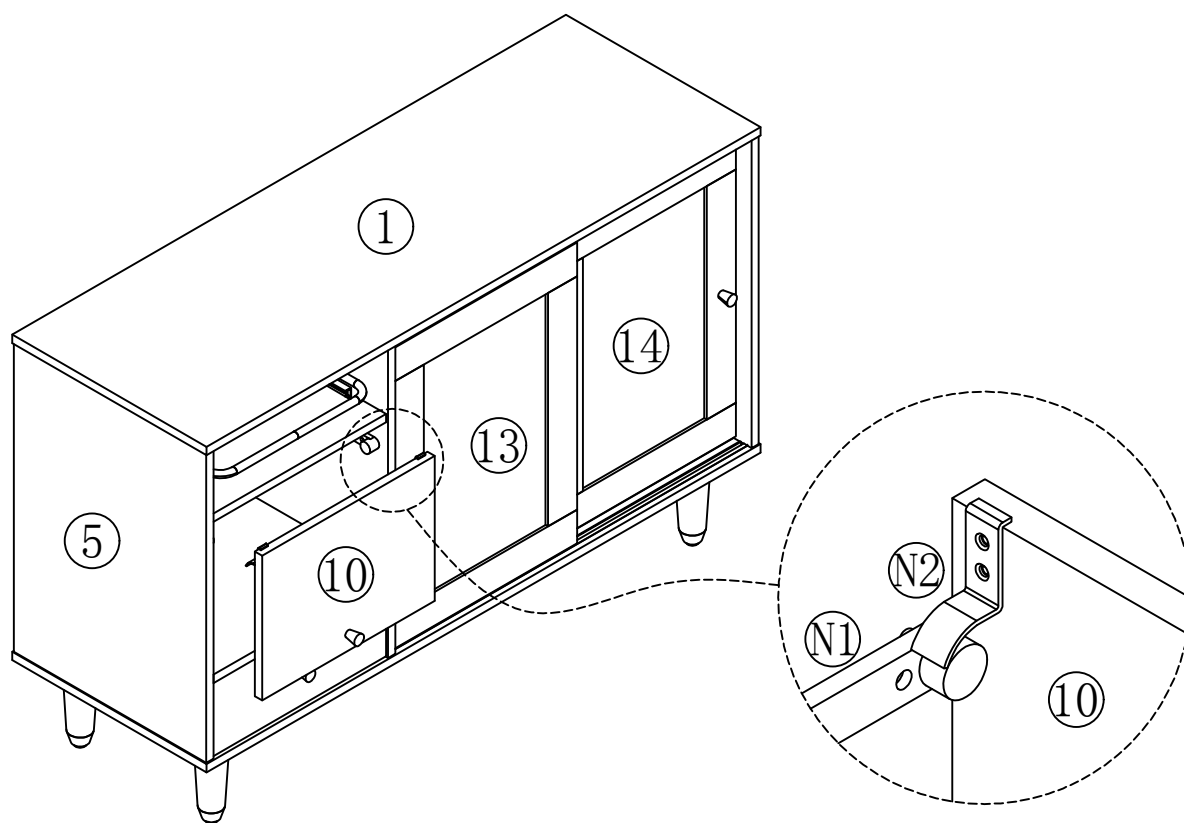
Step 25



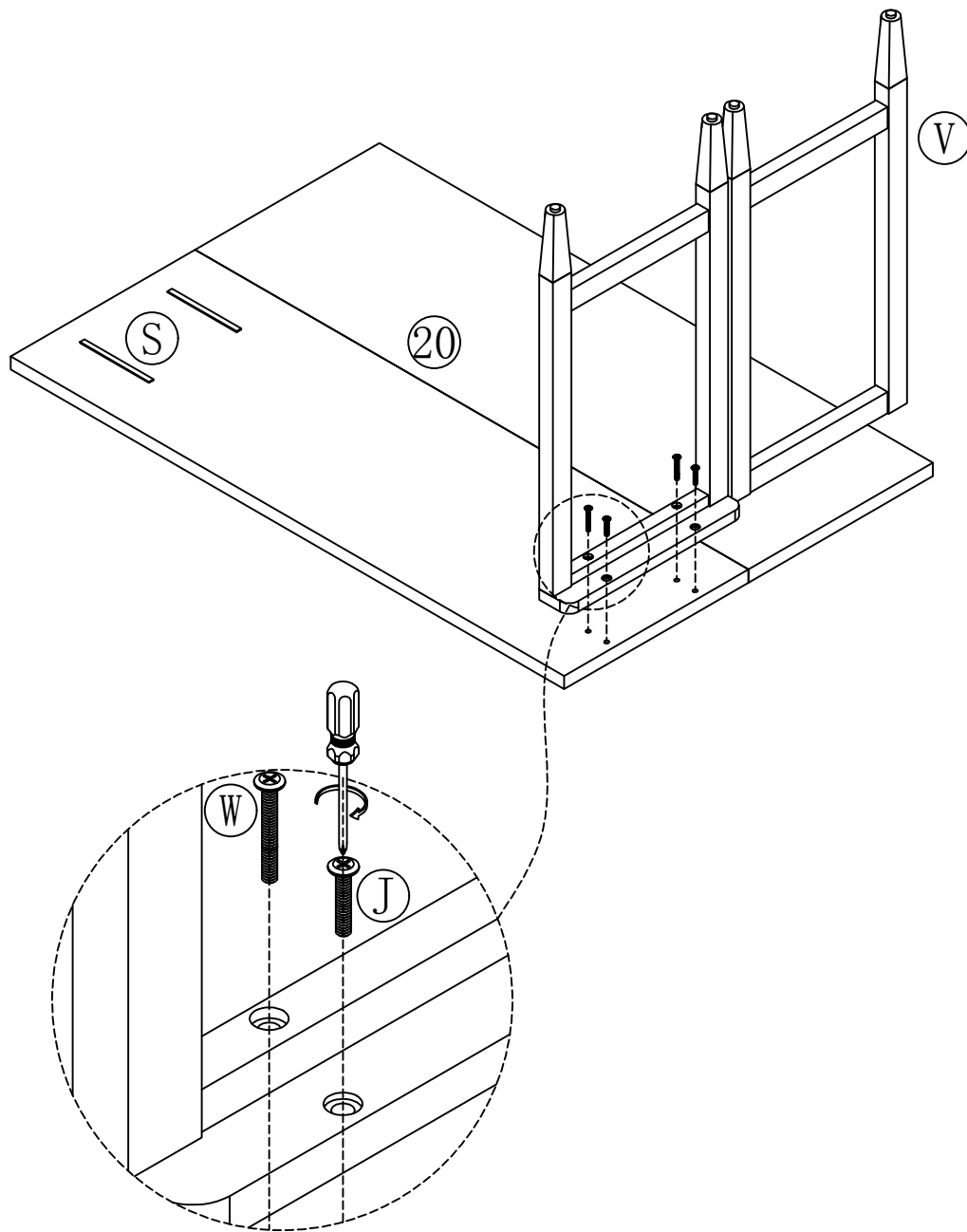
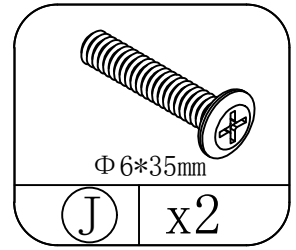
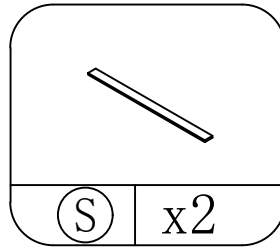
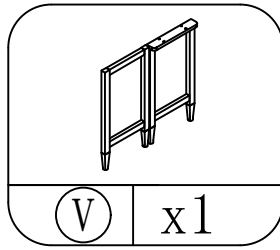
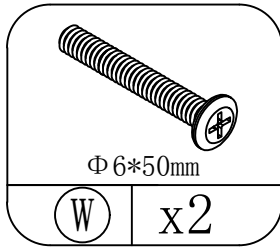
Step 26



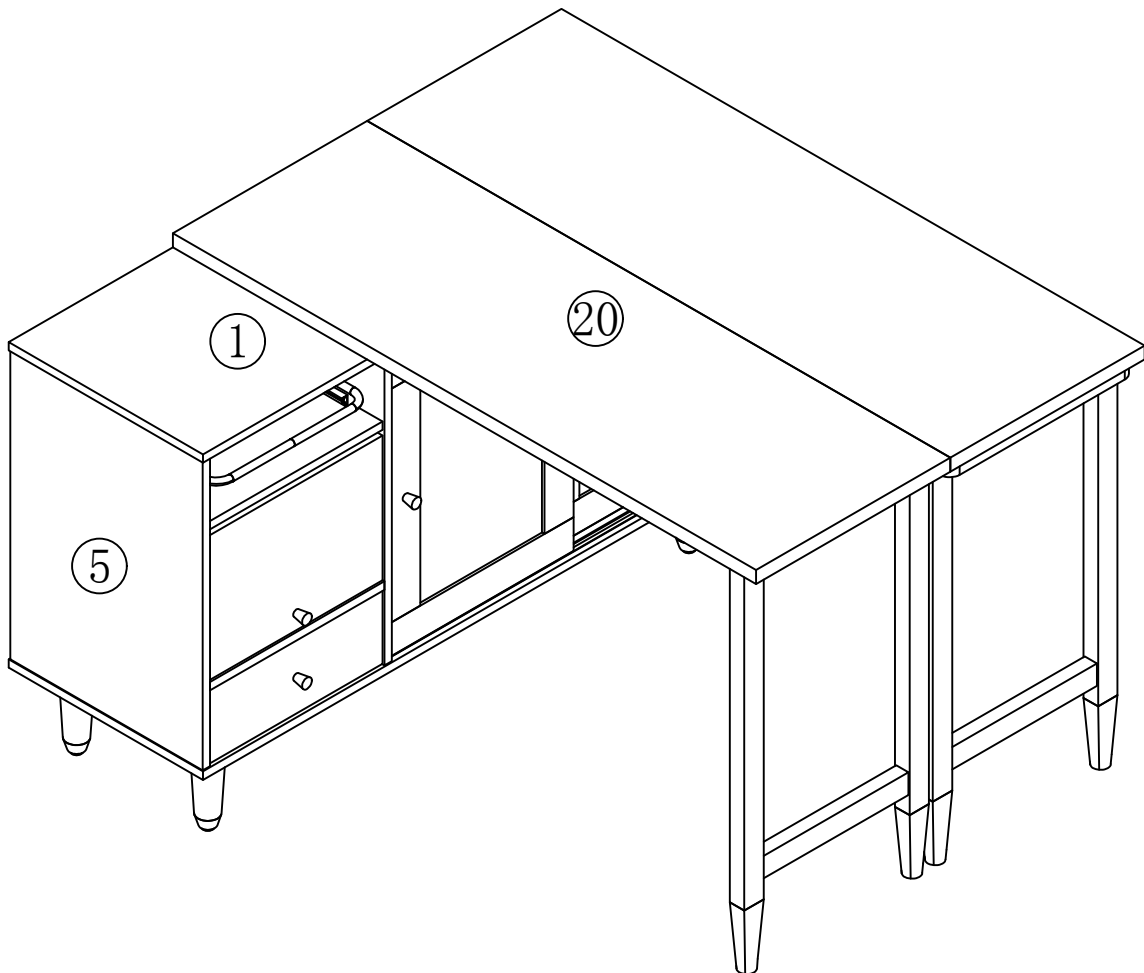
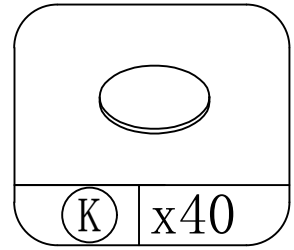
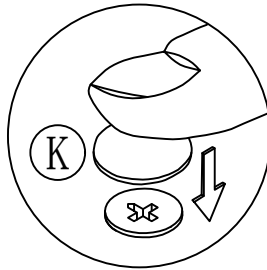
Step 27



Step 28



Step 29



Step 30

