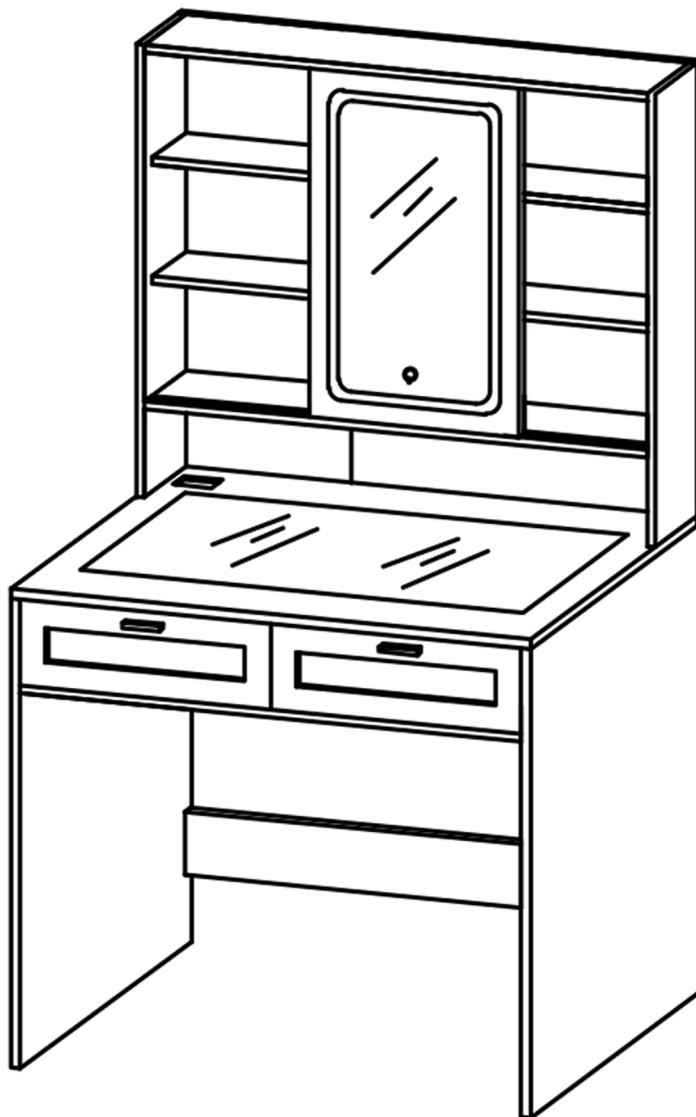
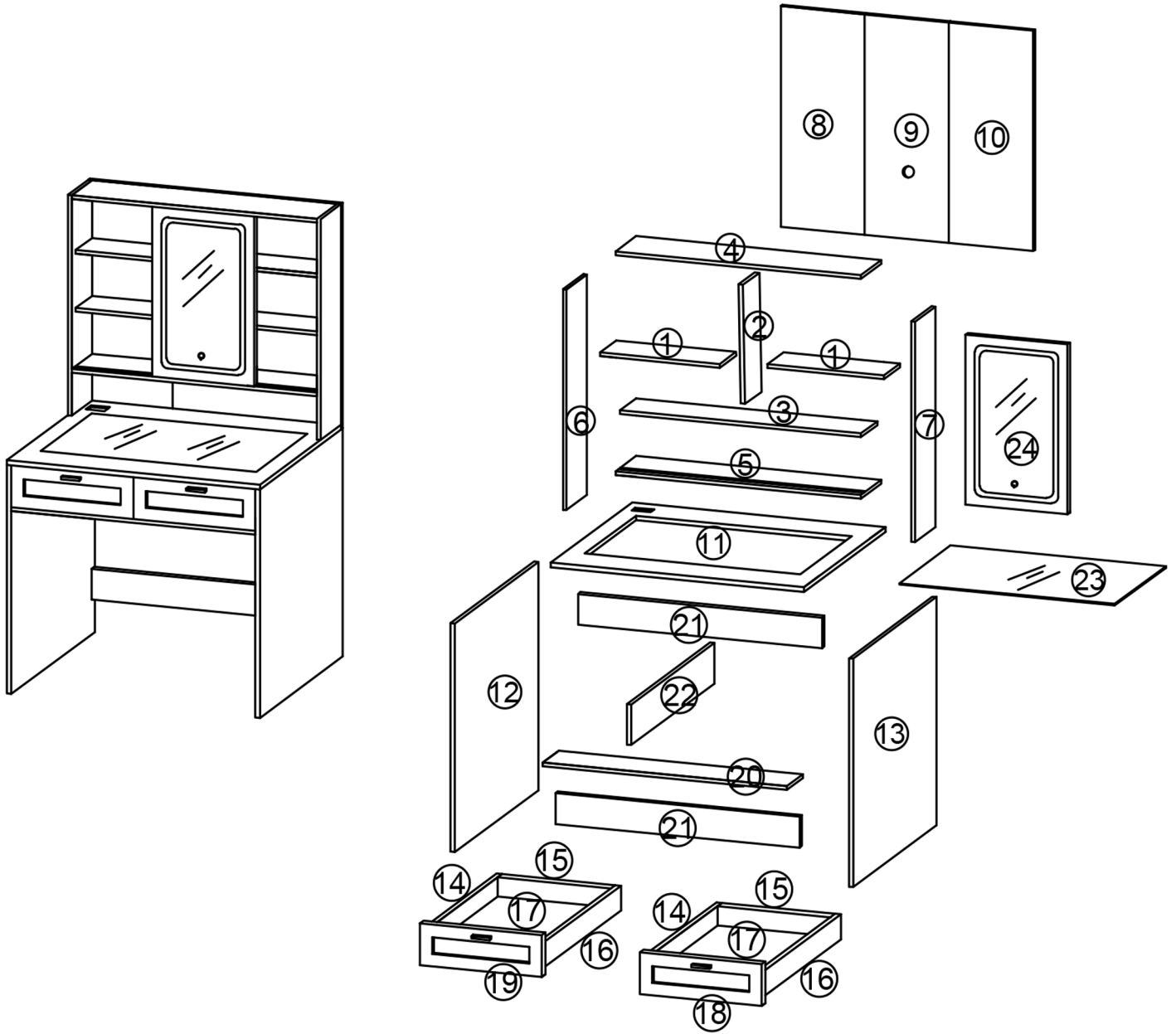









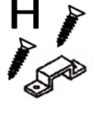







User Manual



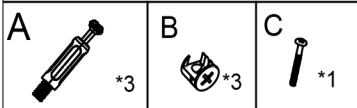
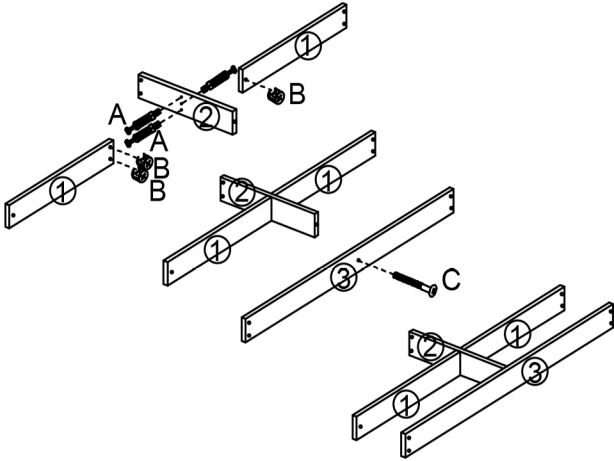
Please feel free to contact us, we offer 24h online services:

email address: service@hadulcet.com; phone: +1 7733002528

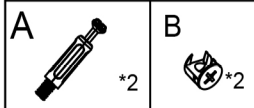
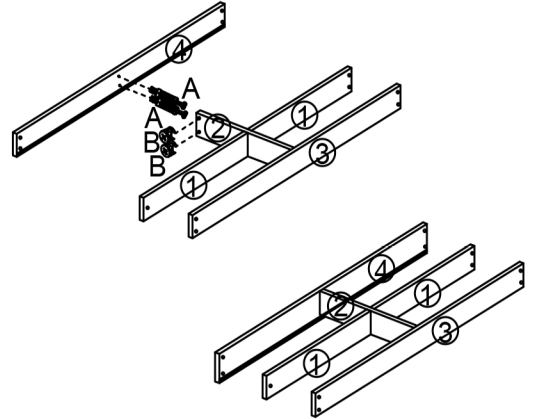


A  * 45	B  * 45	C  * 34	D  * 22	E  E1 E2 * 2	F  * 2	G  * 8	H  * 4
I  * 1	J  * 1	K  * 2	L  * 2	M  * 2	N  N1 N2 * 1	P  * 2	

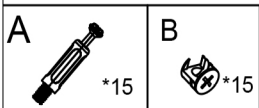
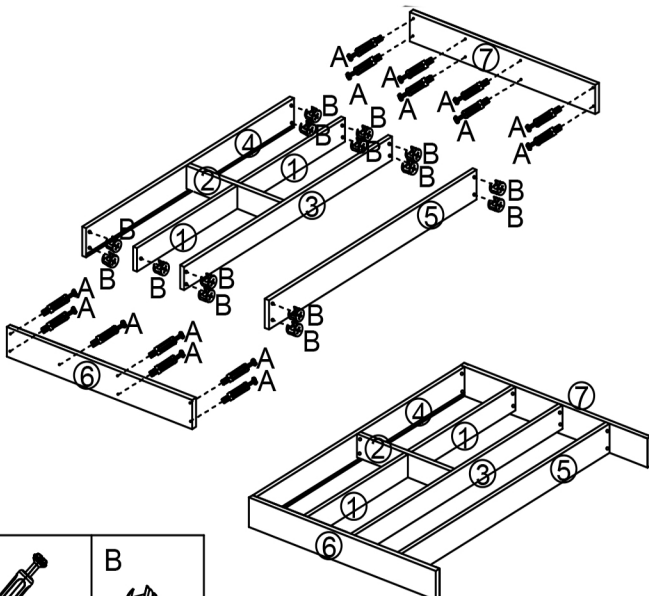
1 Use three A bolts to fix them onto Plate 2. Then, pass the A bolts through the corresponding holes on Plate 1 and secure them tightly using three B lock nuts. Use one C screw to fix Plate 3 to the corresponding hole on Plate 2.



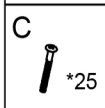
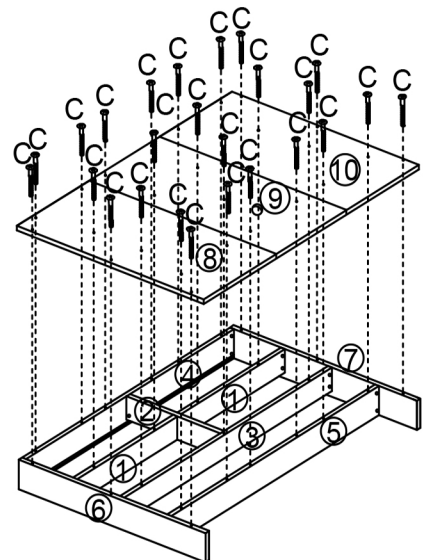
2 Screw two A bolts into the corresponding positions on Plate 4. Insert the A bolts (already screwed into Plate 4) into the corresponding holes on Plate 2, and secure them tightly using two B lock nuts.



3 Screw seven A bolts into Plate 6. Then, screw eight A bolts into Plate 7. Insert the A bolts from Plate 6 into the holes on the sides of Plates 2, 1, 3, and 5, and secure them tightly using seven B lock nuts. Fix Plate 7 using the same method as above, as shown in the figure.

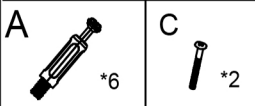
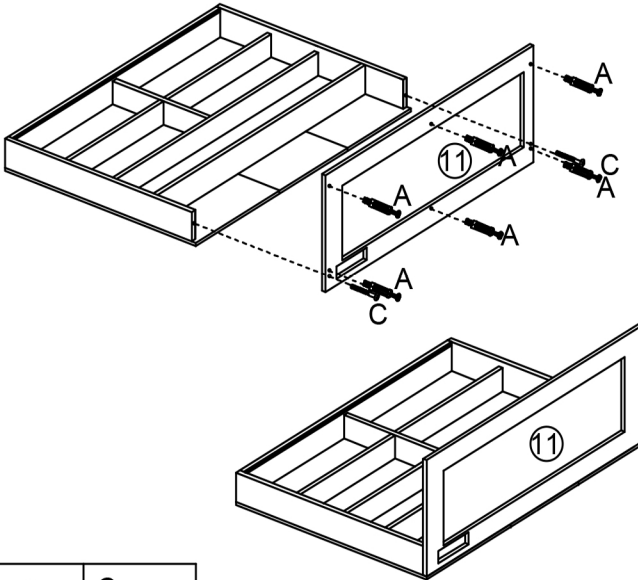


4 Place Plates 8, 9, and 10 side by side. Use twenty-five C screws to screw them into the corresponding positions on Plates 6, 7, and 4, as shown in the figure.



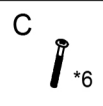
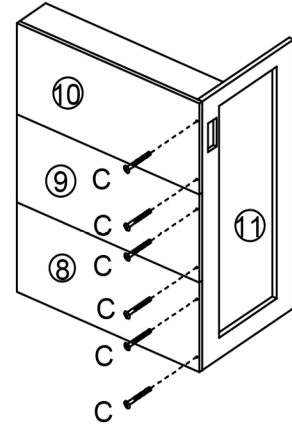
5

Use two C screws to fix Plate 11 to the corresponding holes on Plates 6 and 7. Then, screw six A bolts into the corresponding holes on Plate 11, as shown in the figure.



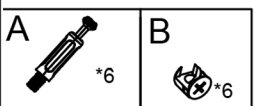
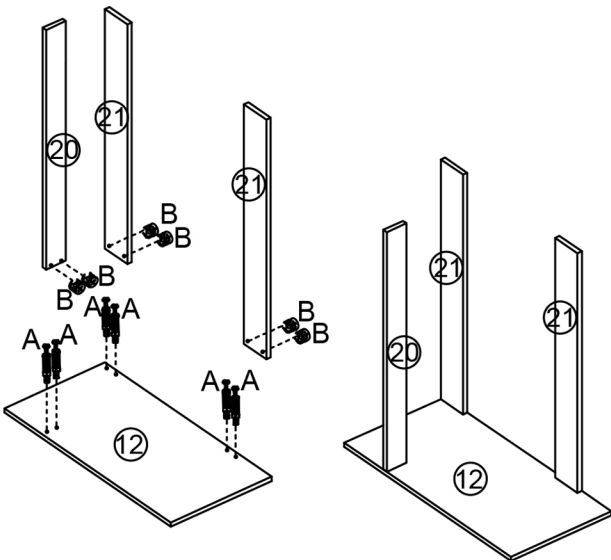
6

Use sixteen C screws to screw into the corresponding holes on Plates 8, 9, and 10, fixing them tightly.



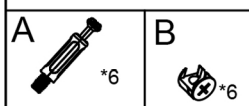
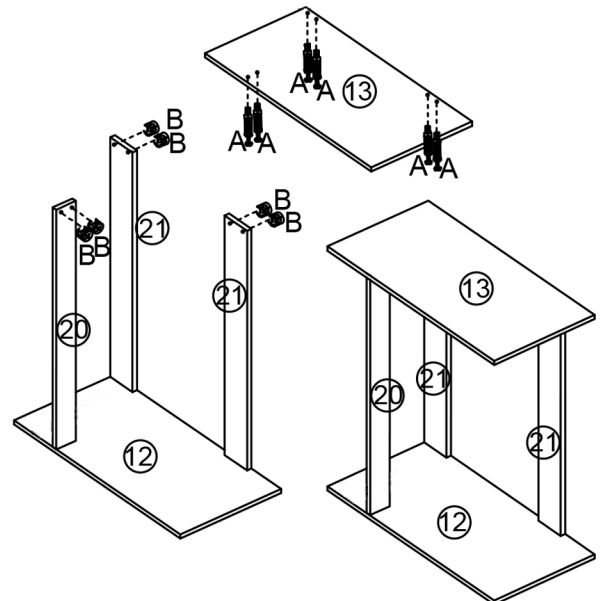
7

Screw six A bolts into Plate 12. Insert the A bolts into the corresponding holes on Plates 21 and 20, and secure them tightly using six B lock nuts.



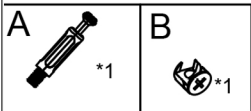
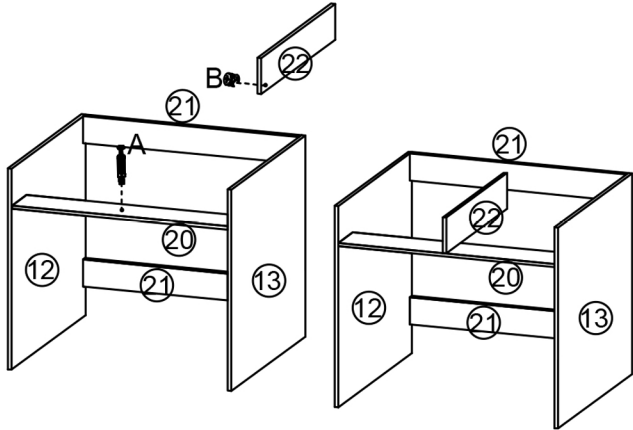
8

Screw six A bolts into Plate 13. Then, insert the A bolts into the corresponding holes on Plates 21 and 20, and secure them tightly using six B lock nuts.



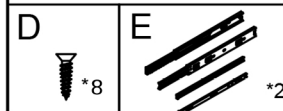
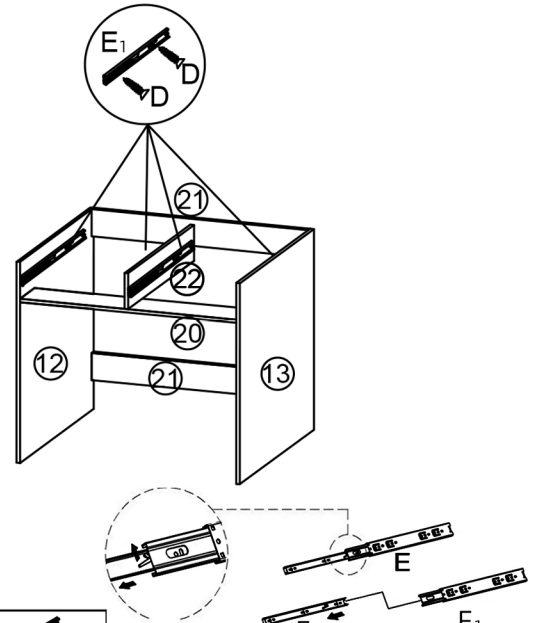
9

As shown in the figure, screw one A bolt into Plate 20. Connect the hole on Plate 22 to this A bolt and secure it tightly using one B lock nut.



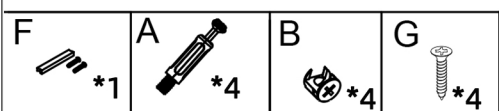
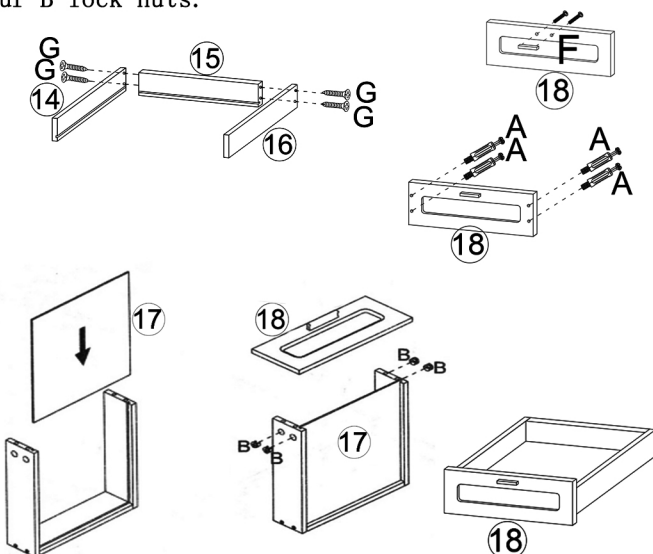
10

Use eight D screws to fix four E1 components to the corresponding positions on Plates 12, 13, and 22. Note: Fix two E1 components onto Plate 22.



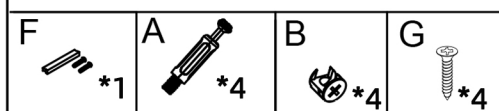
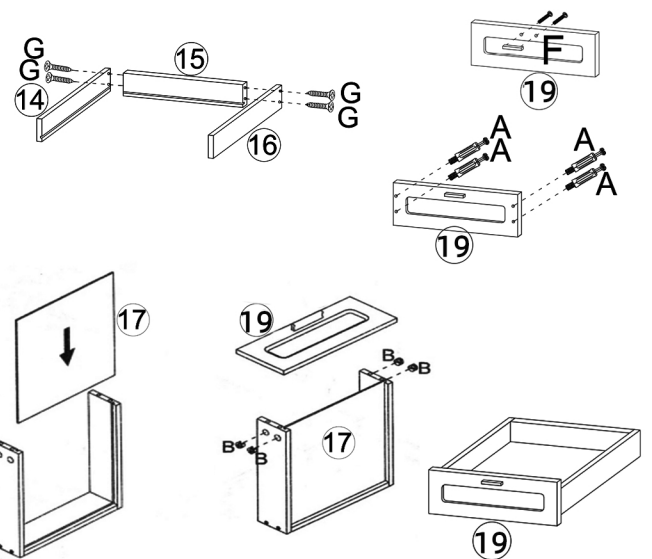
11

① Use four G screws to connect Plates 14, 15, and 16, as shown in the figure. After tightening the G screws, insert Plate 17 into the slots on Plates 14 and 16. ② Screw four A bolts into the corresponding holes on Plate 18. Use F screws to fasten the F handle onto Plate 18. Insert the A bolts from Plate 18 into the corresponding holes on Plates 14 and 16, and secure them tightly using four B lock nuts.



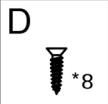
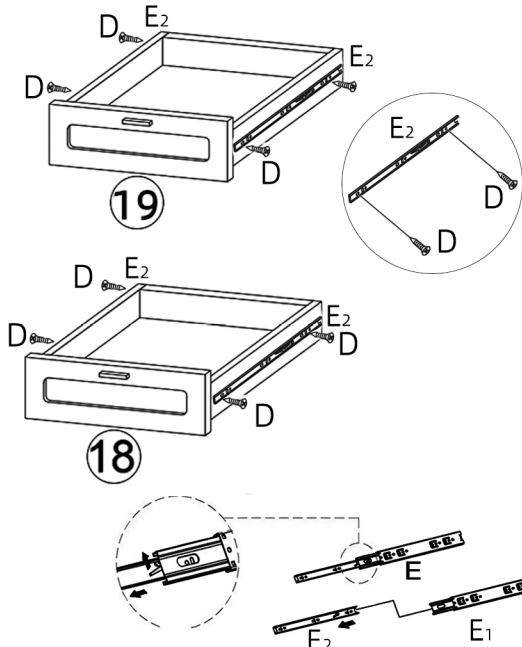
12

Perform the same operation as in Step 11.



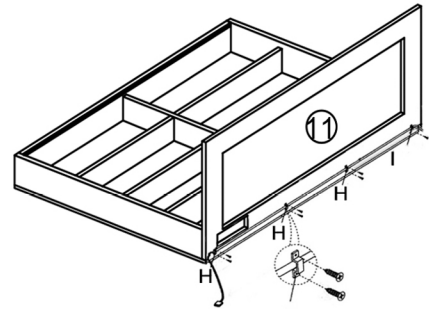
13

Use eight D screws to fix four E2 components to the corresponding positions on Plates 14 and 16, as shown in the figure.



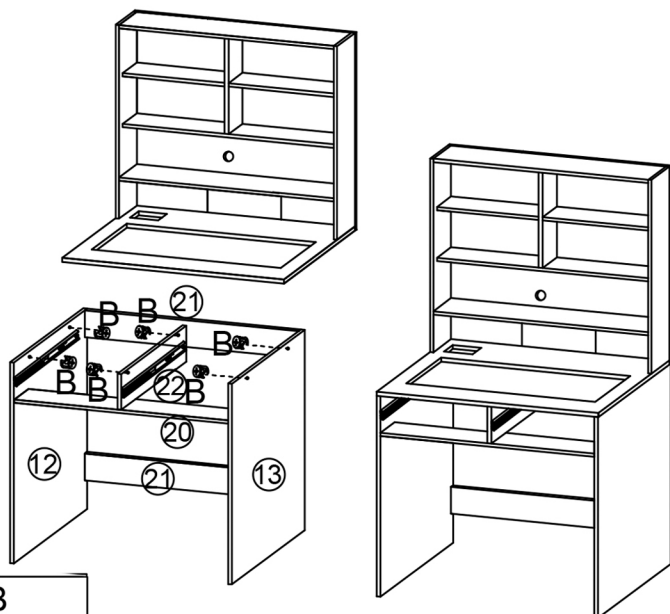
14

Open the I light strip and stick it to the corresponding position underneath Plate 11. Secure the I light strip with two H clips, and fasten them by screwing H screws into the corresponding holes on the H clips.



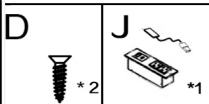
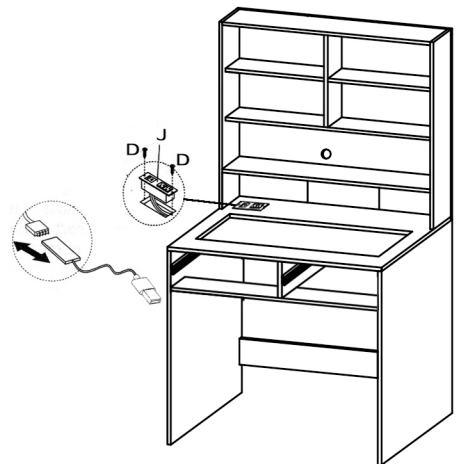
15

Insert the A bolts from Plate 11 into the corresponding holes on Plates 12, 13, and 21. Secure them tightly using six B lock nuts.



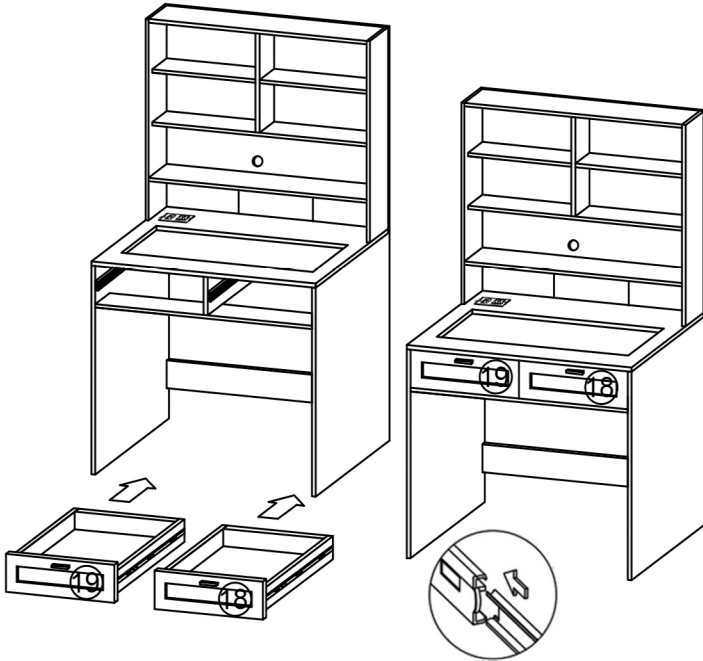
16

Fix the J socket into the corresponding slot on Plate 11, using two D screws screwed into the holes on the J socket. Connect the J socket to the interface of the I light strip.



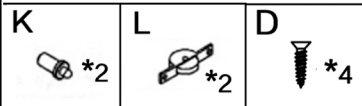
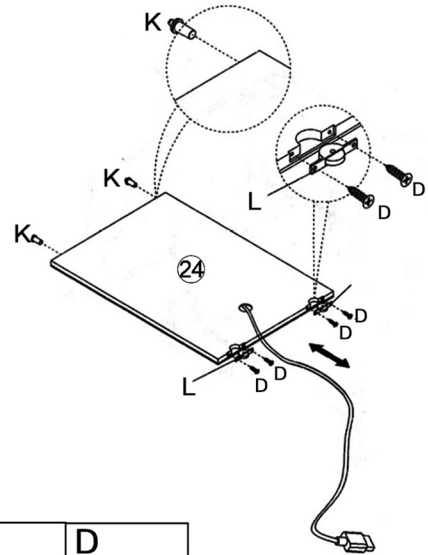
17

As shown in the figure, insert the E2 components into the slots of the E1 components to connect and secure them.



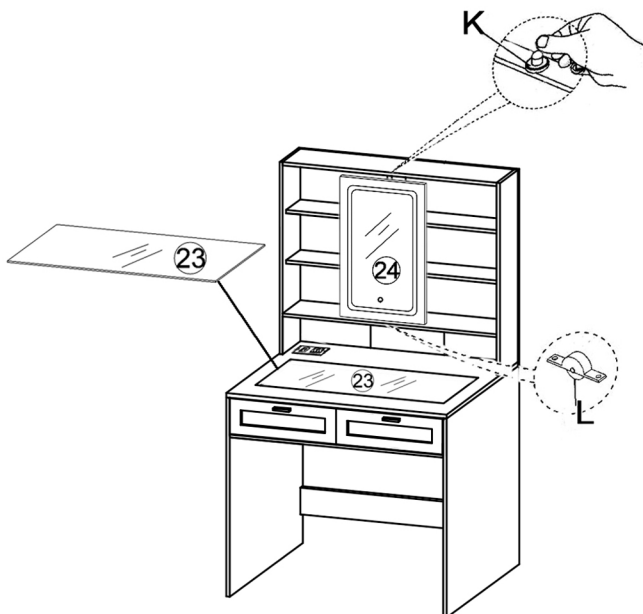
18

Insert two K plugs into the holes on Plate 24. Then, place the two L casters into the corresponding grooves on Plate 24, and secure them using four D screws.



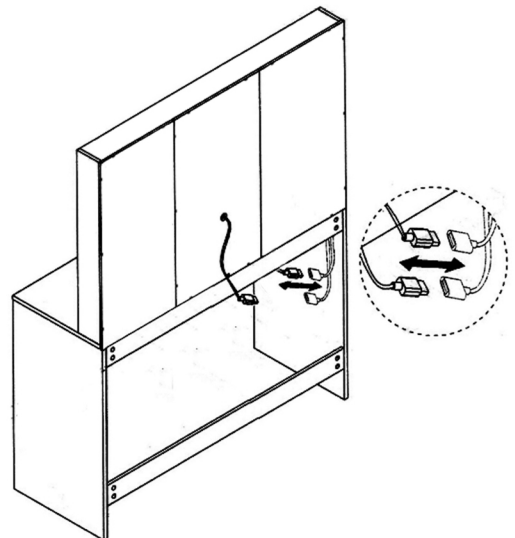
19

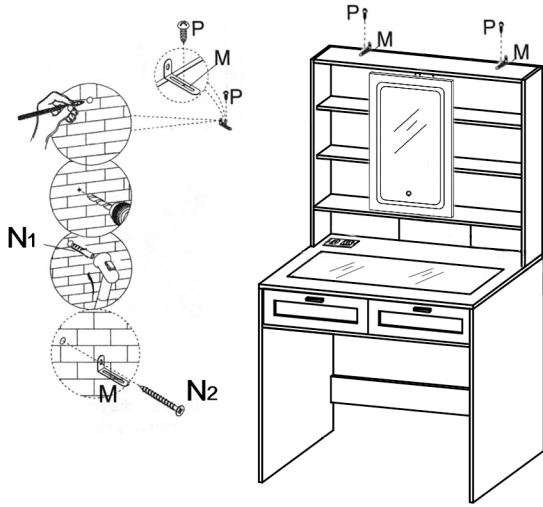
Insert the two K plugs from Plate 24 into the corresponding holes on Plate 4. Place the two L casters from Plate 24 into the groove on Plate 5. Then, place the 23 glass into the slot on Plate 11.



20


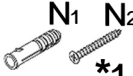

Connect the I light strip to the USB port of the J socket.





First, determine the position for fixing the cabinet on the wall.

Drill holes in the wall to create reserved holes and insert N1 wall plugs into them. Place two M connecting brackets at the joint between the top of the cabinet and the wall. Use two P screws to fasten the M connecting brackets to the cabinet. Then, screw N2 screws into the M connecting brackets and the wall N1 plugs to secure the cabinet.

<p>M</p>  <p>*2</p>	<p>N</p> <p>N1 N2</p>  <p>*1</p>	<p>P</p>  <p>*2</p>
---	--	---

Thank you

for your trust and choice

Dear Valued Customer,

Thank you for welcoming this piece of our craftsmanship into your home. We are honored that you chose our dressing table to be a part of your daily routine.

Your satisfaction is our ultimate priority. Should you have any questions or require assistance, our dedicated customer service team is here for you.

Contact us to unlock benefits

√ Activating the One-year Warranty

√ Viewing the Installation Video

√ Joining the New Product Trial Program

Please kindly contact us in time if you need customer service.



service@hadulcet.com;



+1 7733002528

Thanks again for your purchasing!