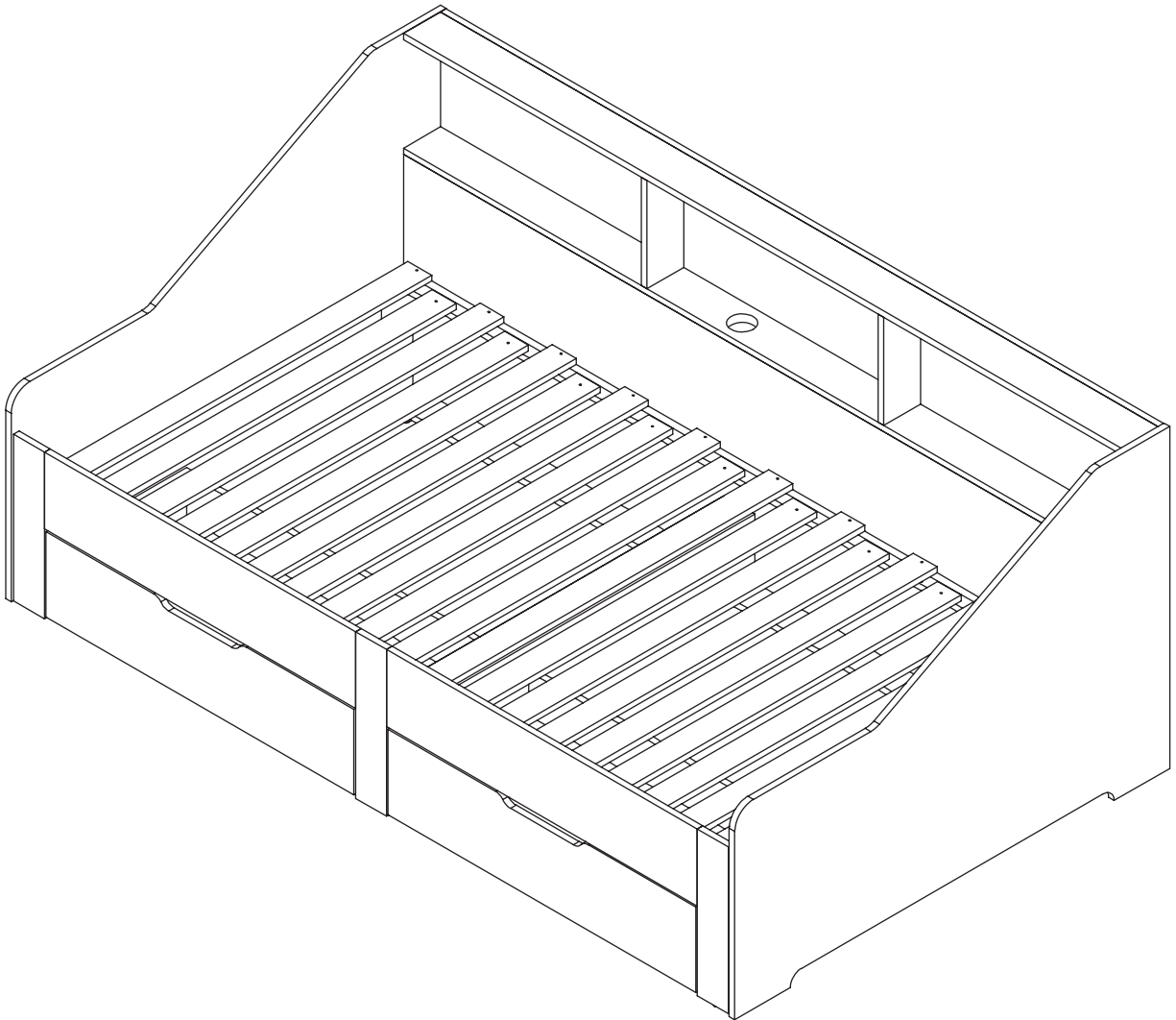
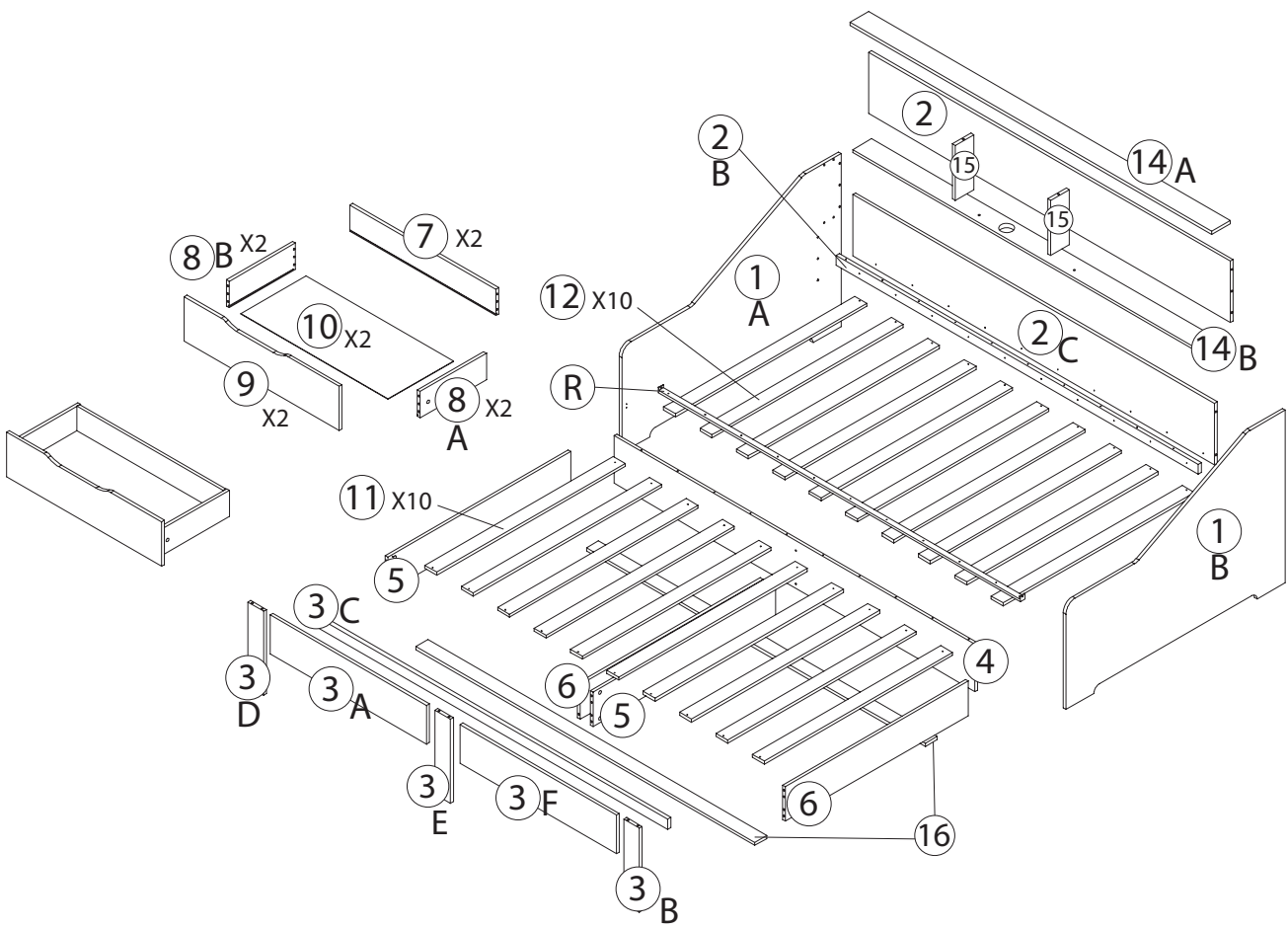


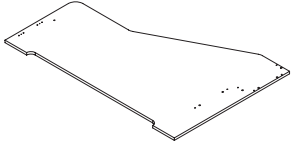
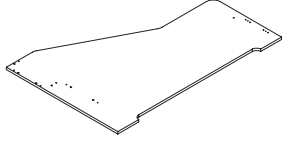
# ASSEMBLY INSTRUCTIONS

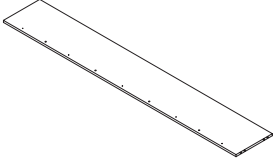
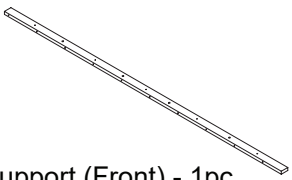
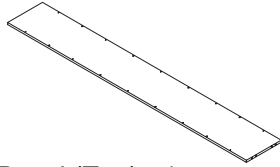
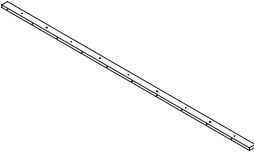
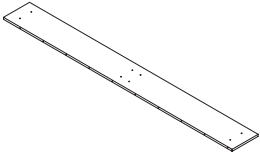
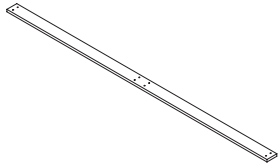
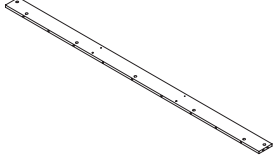
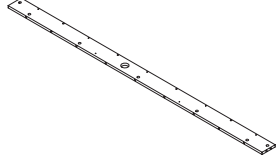
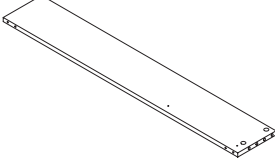
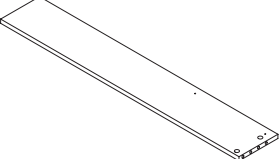


# Detail View

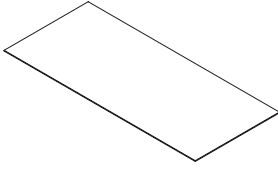
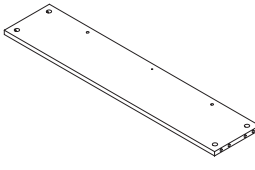
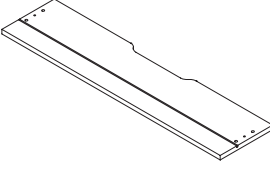
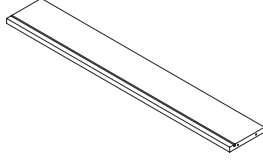
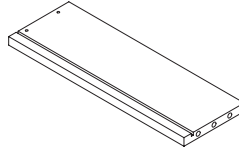
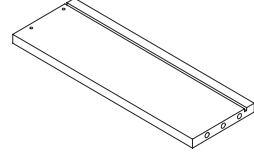
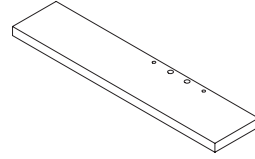
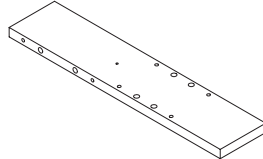
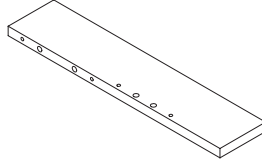
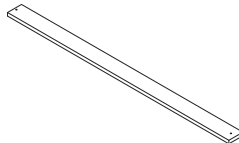
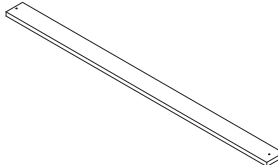
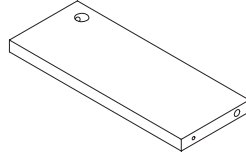
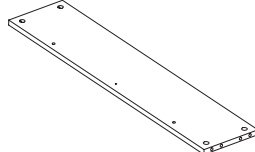


# Part List

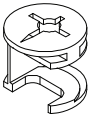

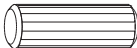
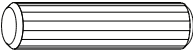
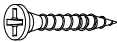
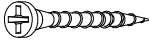
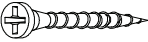
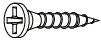
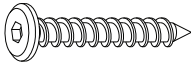
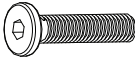
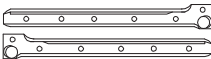
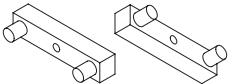
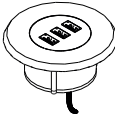

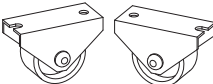
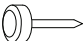

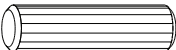
<p><b>1A</b></p>  <p>Side Panel (Left) - 1pc</p>	<p><b>1B</b></p>  <p>Side Panel (Right) - 1pc</p>
---	--

<p><b>2C</b></p>  <p>Back Panel (Bottom) - 1pc</p>	<p><b>3C</b></p>  <p>LVL Support (Front) - 1pc</p>	<p><b>2</b></p>  <p>Back Panel (Top) - 1 pcs</p>
<p><b>2B</b></p>  <p>LVL Support (Back) - 1 pcs</p>	<p><b>4</b></p>  <p>Back Panel (Extended Bed) - 1 pcs</p>	<p><b>16</b></p>  <p>Nylon Caster Support - 2pc</p>
<p><b>14A</b></p>  <p>Shelve (Top) - 1pcs</p>	<p><b>14B</b></p>  <p>Shelve (Middle) - 1pcs</p>	<p><b>6</b></p>  <p>Side Panel (Extended Bed) - 2pcs</p>
<p><b>5</b></p>  <p>Side Panel (Extended Bed) - 2pcs</p>		


# Part List

<p><b>10</b></p>  <p>Drawer support - 2pc</p>	<p><b>3A</b></p>  <p>Front Panel (Left) - 1 pcs</p>	<p><b>9</b></p>  <p>Front Panel (Drawer) - 2 pcs</p>
<p><b>7</b></p>  <p>Back Panel (Drawer) - 2 pcs</p>	<p><b>8A</b></p>  <p>Drawer Side Panel (Right) - 2 pcs</p>	<p><b>8B</b></p>  <p>Drawer Side Panel (Left) - 2pc</p>
<p><b>3B</b></p>  <p>Front Panel Leg (Right) - 1pcs</p>	<p><b>3E</b></p>  <p>Front Panel Leg (Middle) - 1pcs</p>	<p><b>3D</b></p>  <p>Front Panel Leg (Left) - 1pcs</p>
<p><b>11</b></p>  <p>Front LVL - 10 pcs</p>	<p><b>12</b></p>  <p>Back LVL - 10 pcs</p>	<p><b>15</b></p>  <p>Shelf Divider - 2pcs</p>
<p><b>3F</b></p>  <p>Front Panel (Right) - 1 pcs</p>		

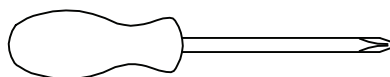
## Hardware List

<b>A</b>		<b>B</b>		<b>C</b>	
	Cam Nut (49pcs)		Cam Bolt (49pcs)		Wood Dowel (52pcs)
<b>D</b>		<b>E</b>		<b>F</b>	
	Ø8*40mm		Ø4*30mm		Ø4*38mm
	Wood dowel (8pcs)		Chip Board Screw (10pcs)		Chip Board Screw (10pcs)
<b>G</b>		<b>H</b>		<b>I</b>	
	Ø4*25mm		Ø3.5*16mm		Ø6*40mm
	Chip Board Screw (40pcs)		Chip Board Screw (35pcs)		JCBCW Screw (24pcs)
<b>J</b>		<b>K</b>		<b>L</b>	
	Ø6*16mm		Drawer Slide 14" (2sets)		PVC Door Stopper (4pcs)
	JCBC Screw (2pcs)				
<b>M</b>		<b>N</b>		<b>O</b>	
	USB Port (1set)		Allen Key M4 (1pcs)		Stop Nylon Caster (6pcs)
<b>P</b>		<b>Q</b>		<b>S</b>	
	5/8"		Ø6		Ø8*20mm
	Glider with Nails (4pcs)		Washer (2pcs)		Wood Dowel (8pcs)

## Hardware List


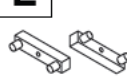


<b>R</b>	
	Rect 12 x 25 x 1940mm (1pcs)

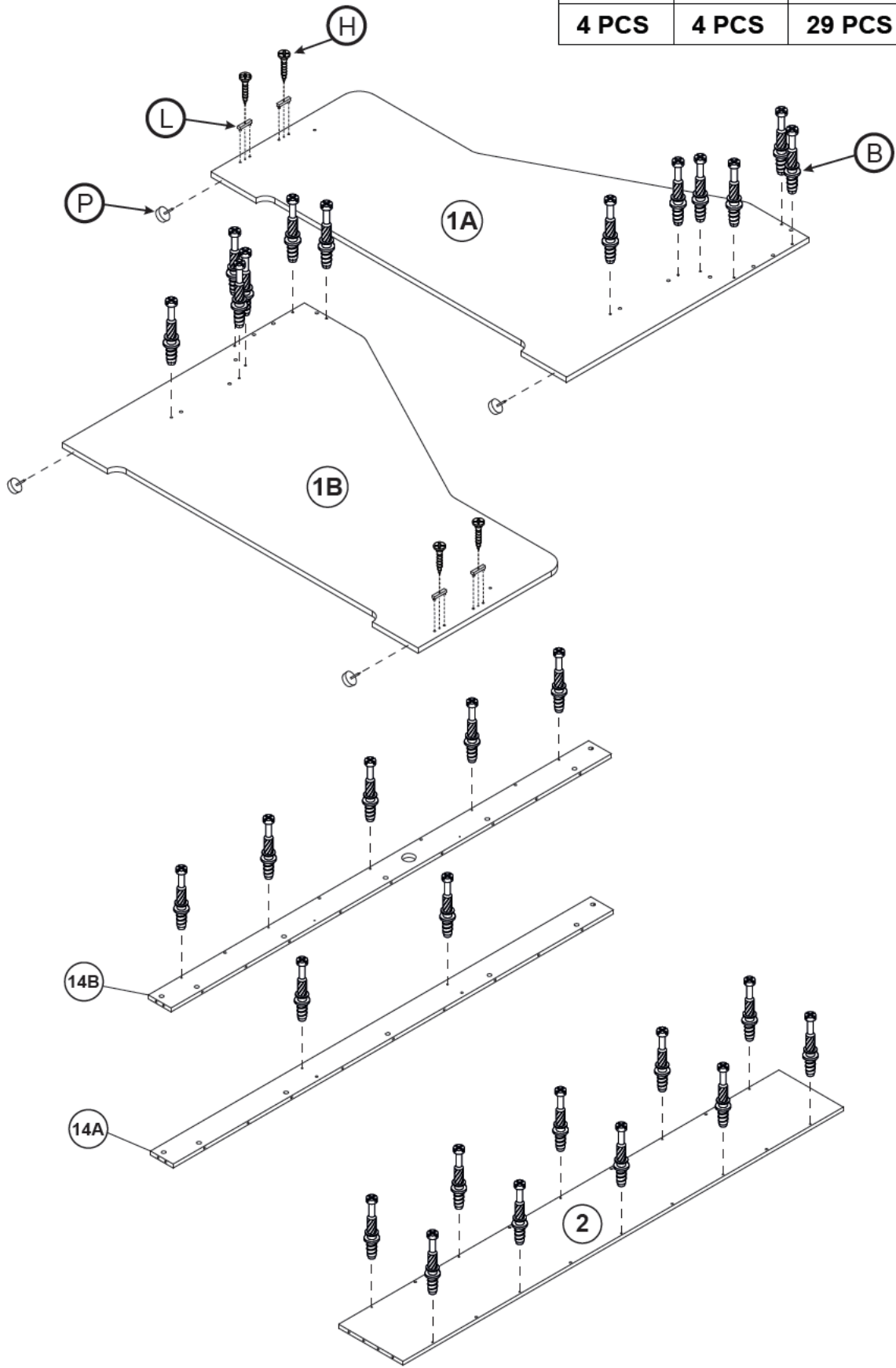
### ASSEMBLY TOOLS REQUIRED ( NOT INCLUDED )



PLEASE BE CAREFUL DO NOT DAMAGE THE HOLE POSITION WHEN YOU USE POWER TOOLS !

**STEP 1:**

<b>H</b>		<b>L</b>		<b>B</b>		<b>P</b>	
<b>4 PCS</b>		<b>4 PCS</b>		<b>29 PCS</b>		<b>4 PCS</b>	

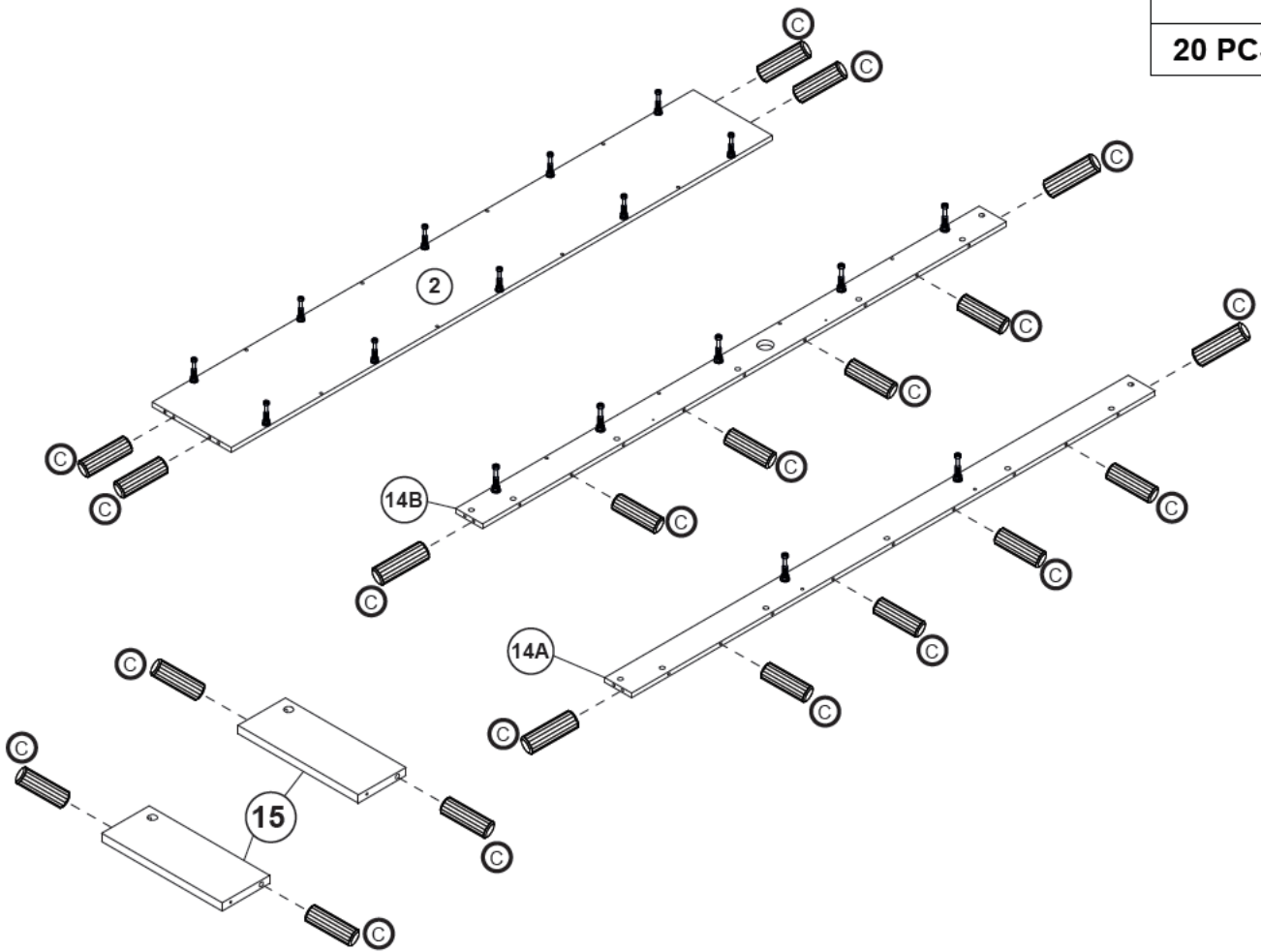


**STEP 2:**

**C**



**20 PCS**



**STEP 3:**

**S**

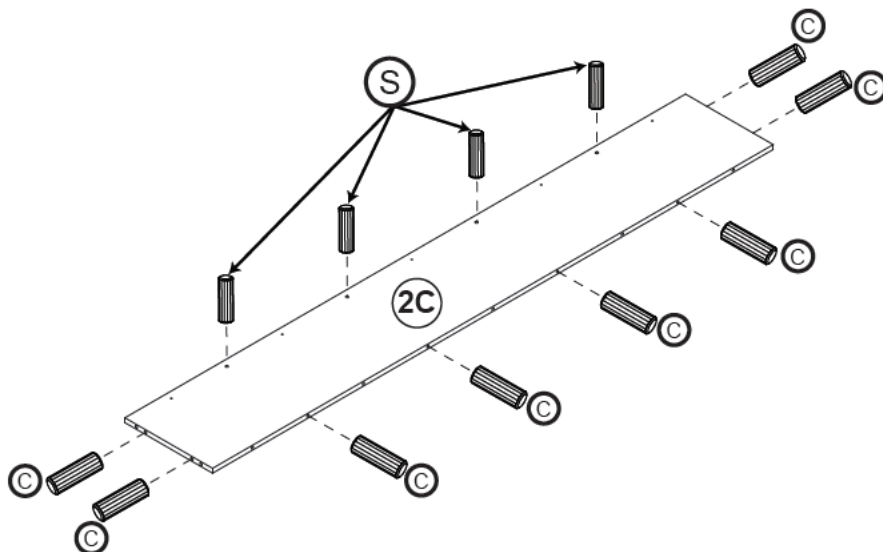


**4 PCS**

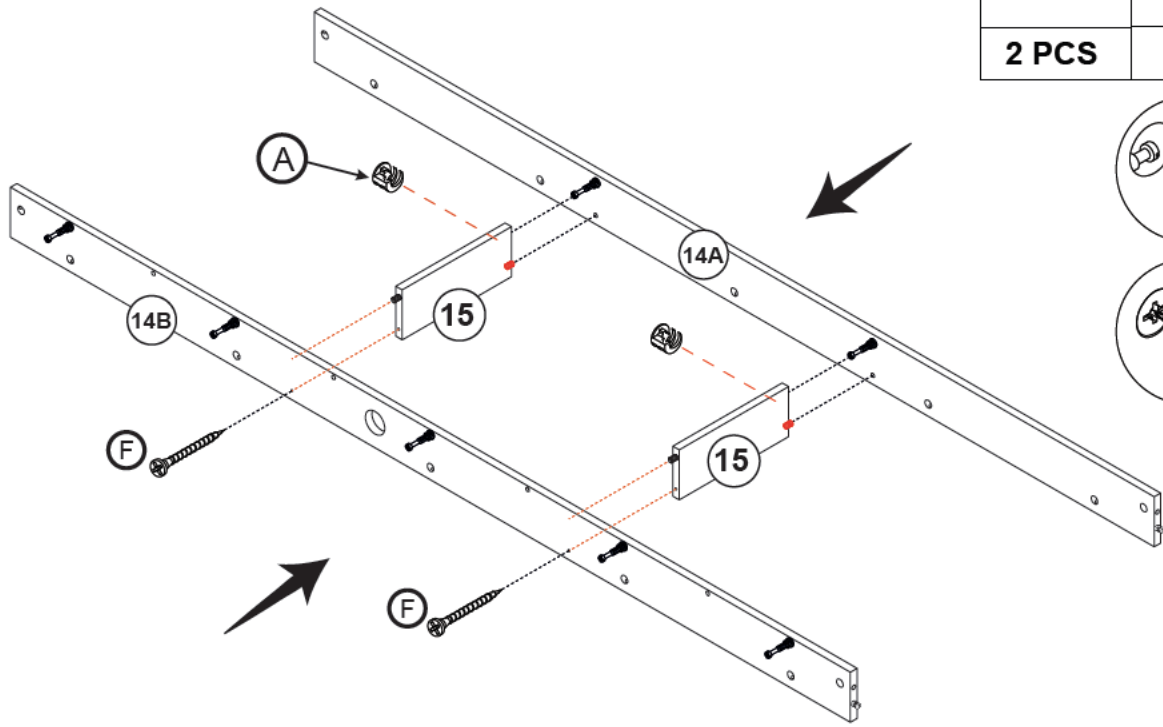
**C**

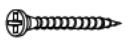



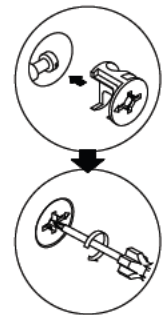
**8 PCS**



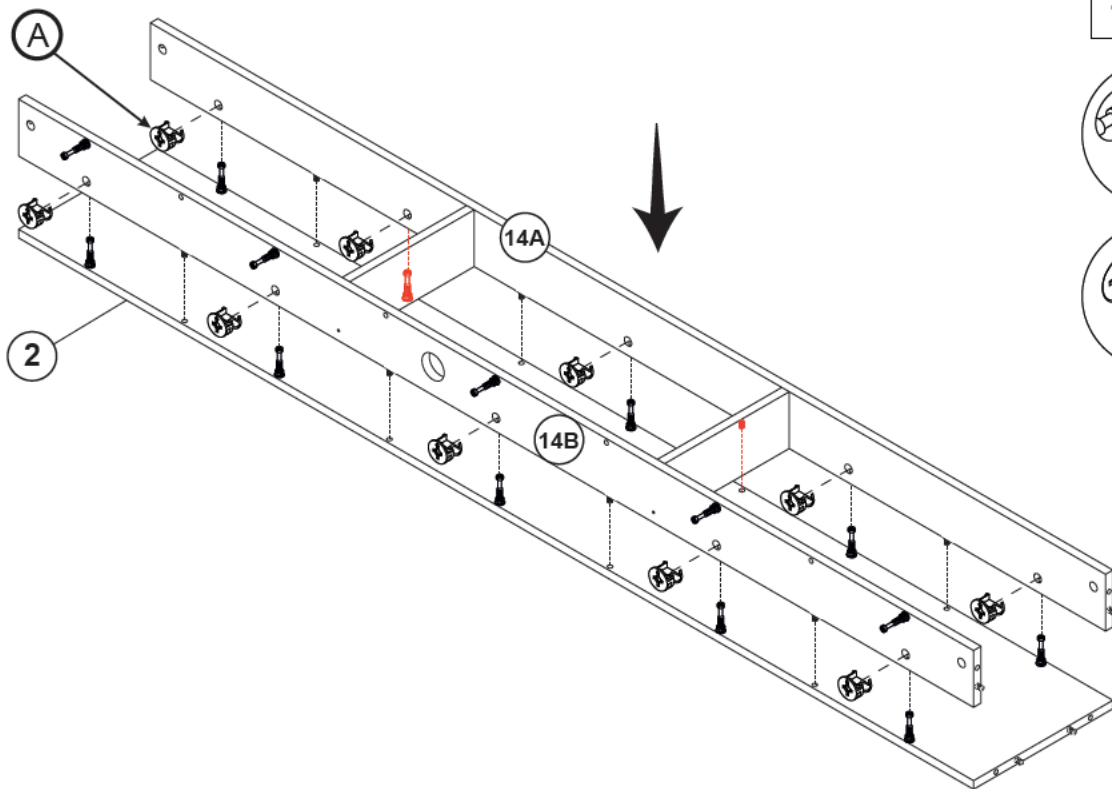
### STEP 4:




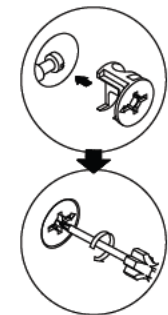
<b>F</b>	<b>A</b>
	
<b>2 PCS</b>	<b>2 PCS</b>



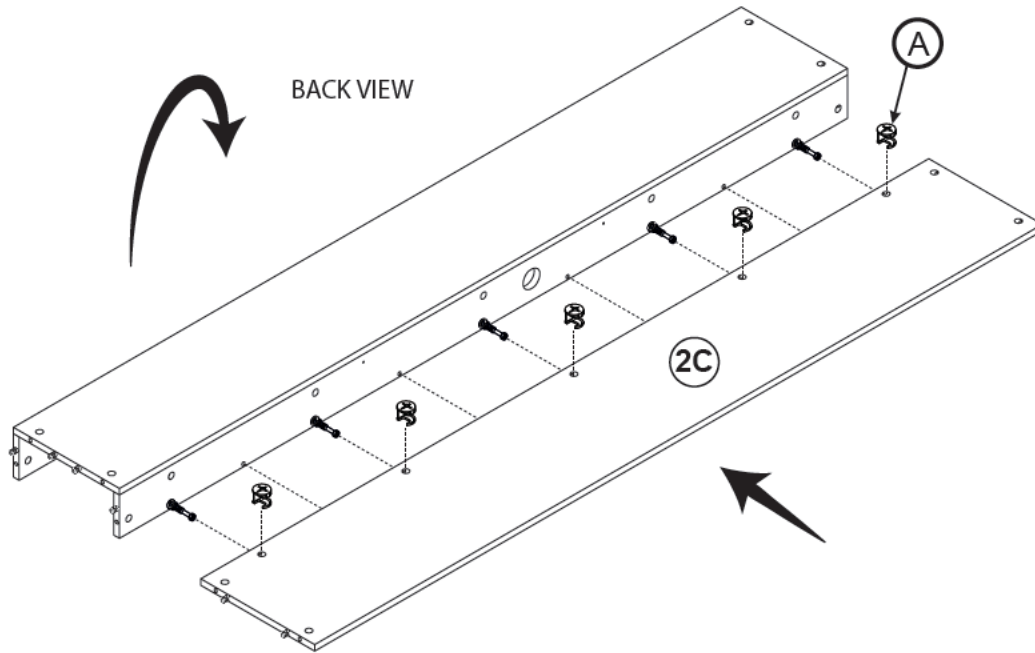
### STEP 5:



<b>A</b>

<b>10 PCS</b>



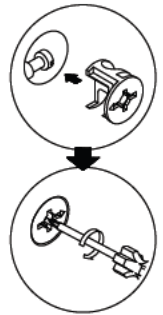
**STEP 6:**



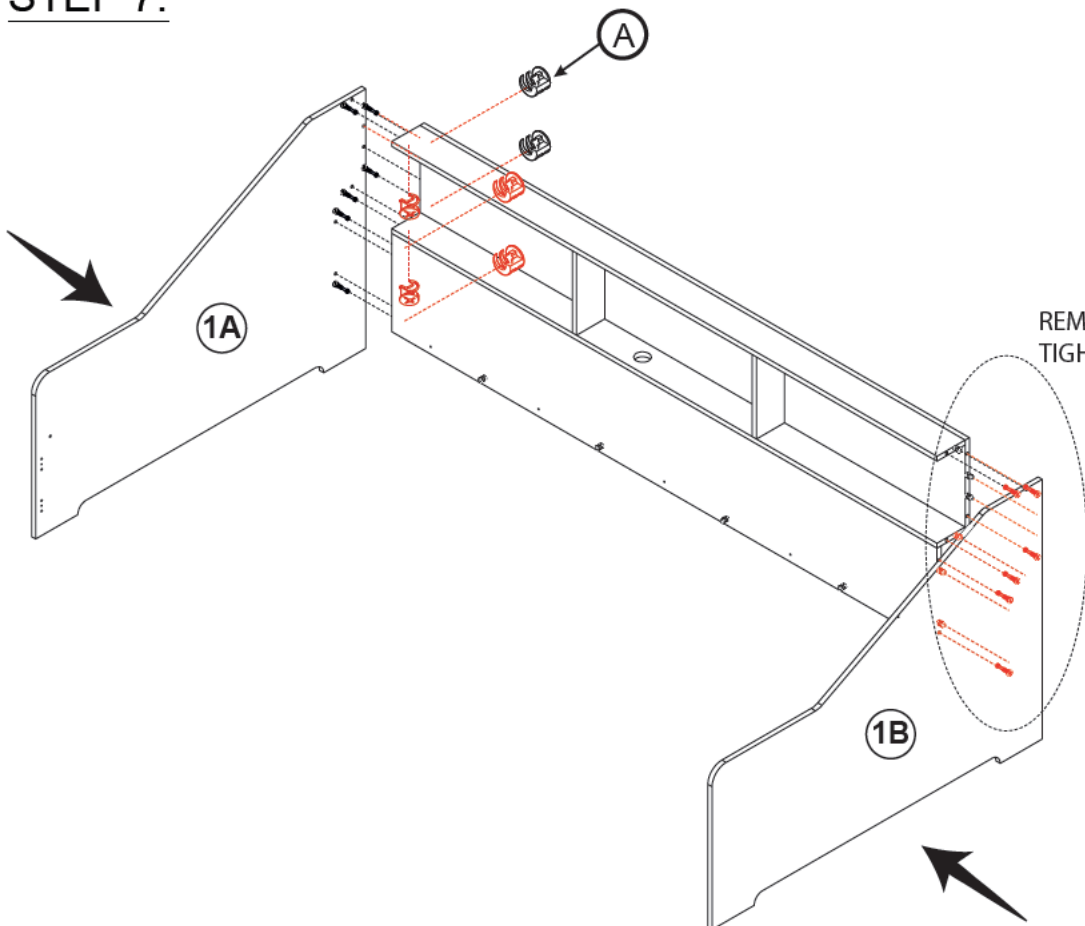
**A**



**5 PCS**



**STEP 7:**

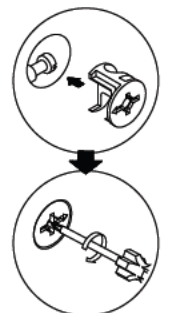


**A**








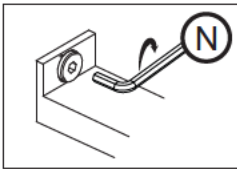
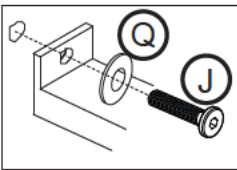
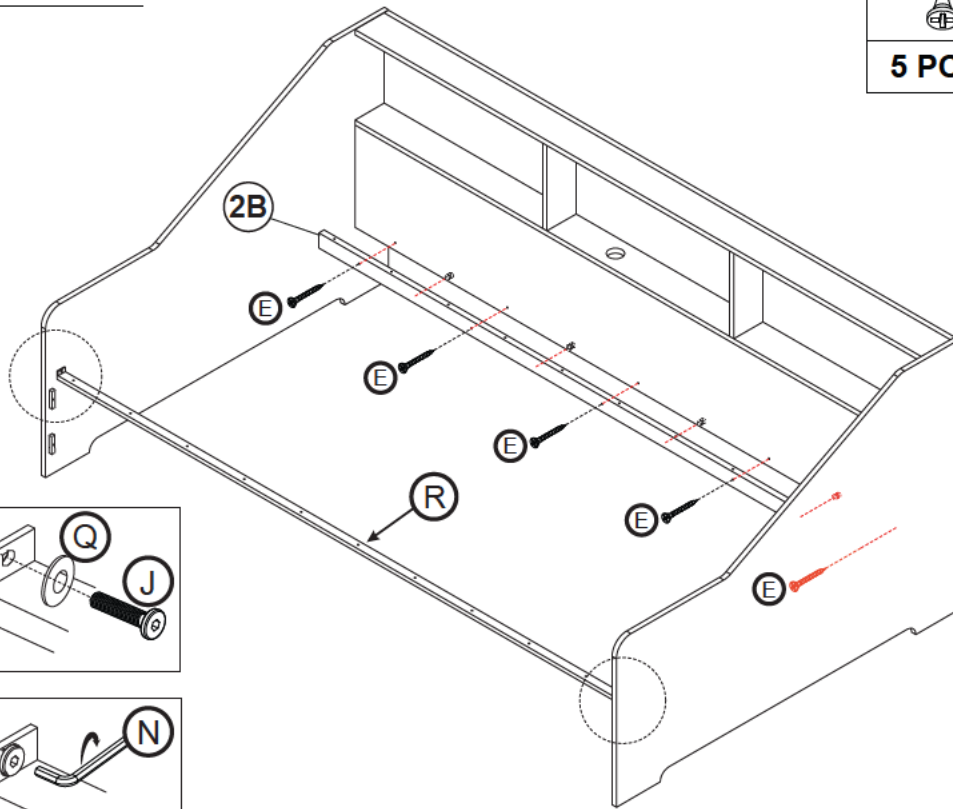
**12 PCS**

REMARK!  
TIGHTEN BOTH SIDES




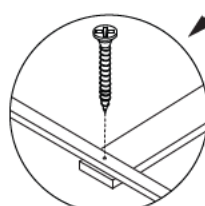
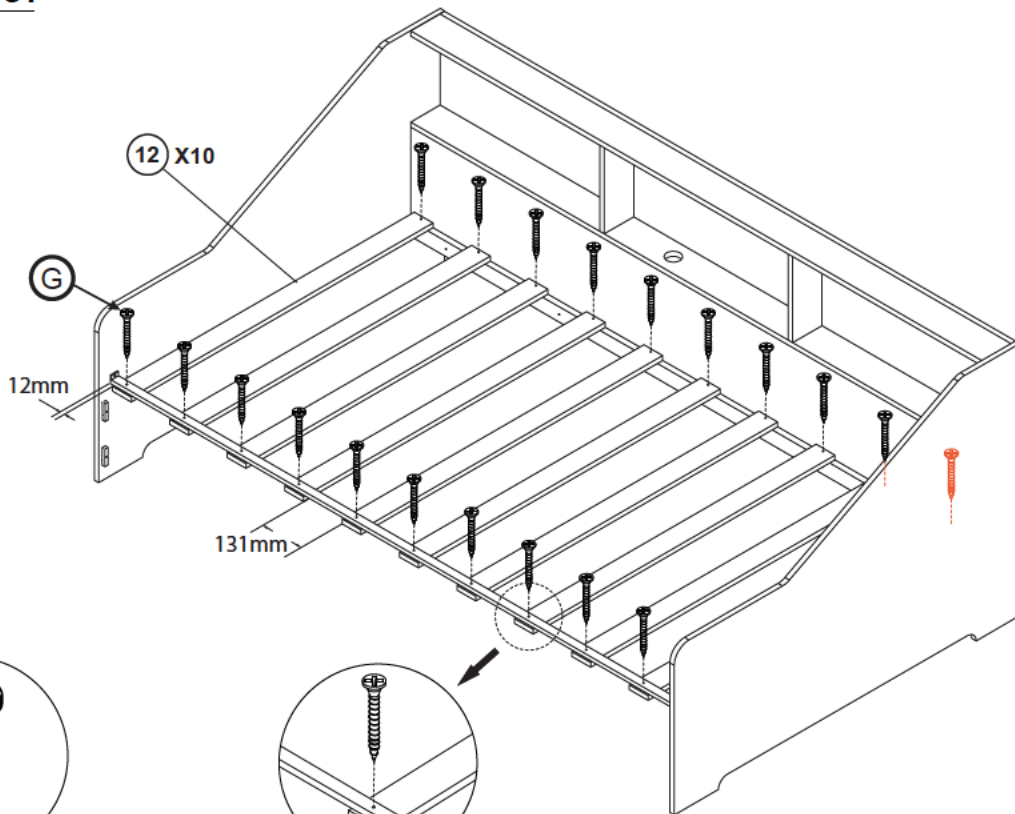
### STEP 8:

<b>E</b> 	<b>R</b> 	<b>Q</b> 
<b>5 PCS</b>	<b>1 PCS</b>	<b>2 PCS</b>
<b>J</b> 	<b>N</b> 	
<b>2 PCS</b>	<b>1 PCS</b>	





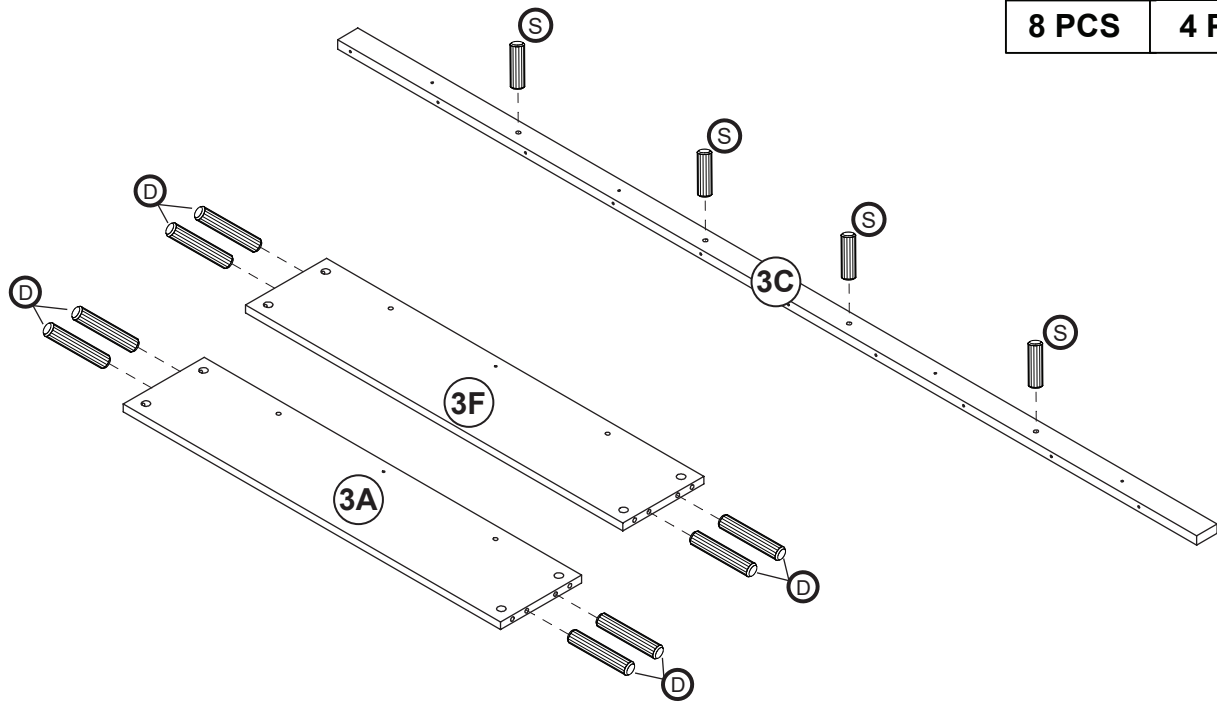
### STEP 9:

<b>G</b> 
<b>20 PCS</b>




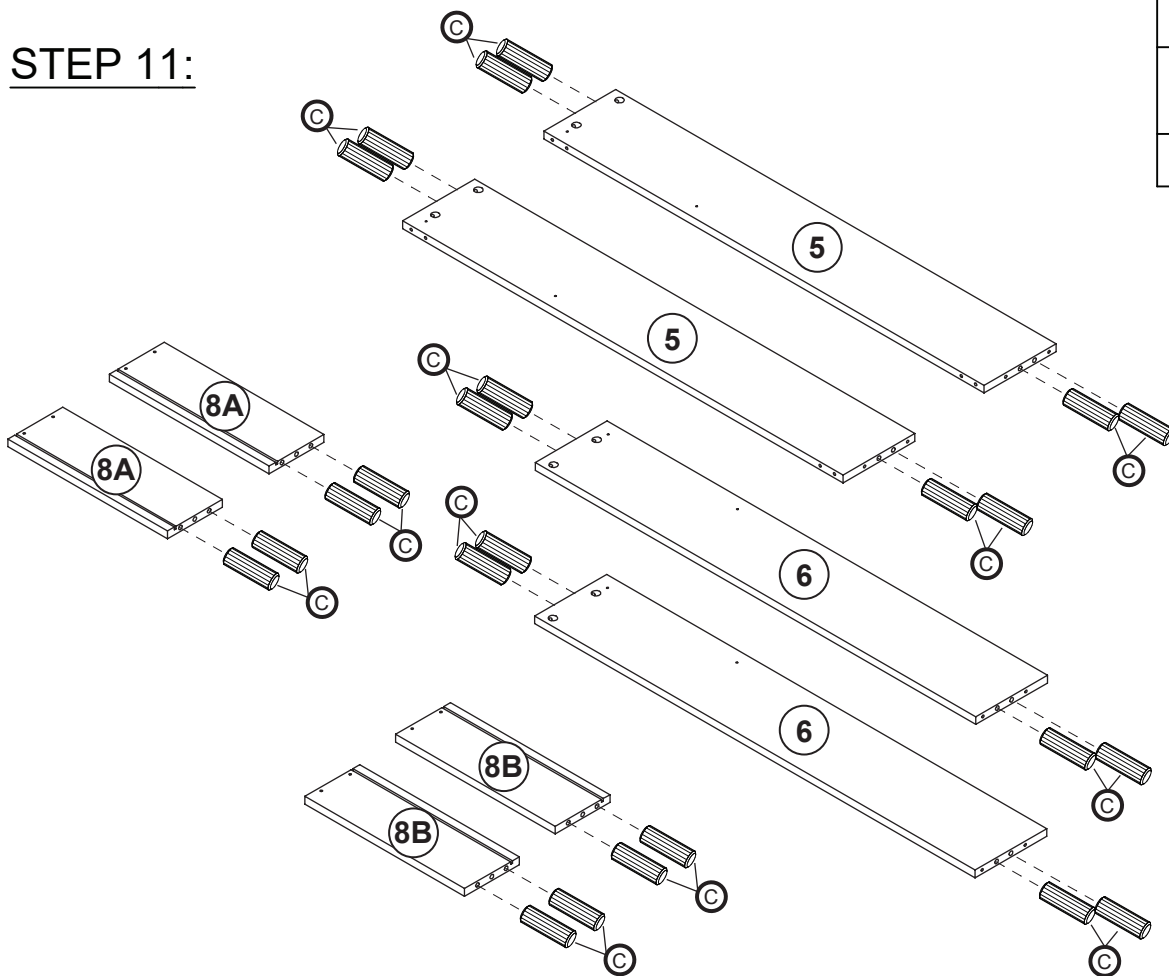
**STEP 10:**

<b>D</b>		<b>S</b>	
<b>8 PCS</b>		<b>4 PCS</b>	

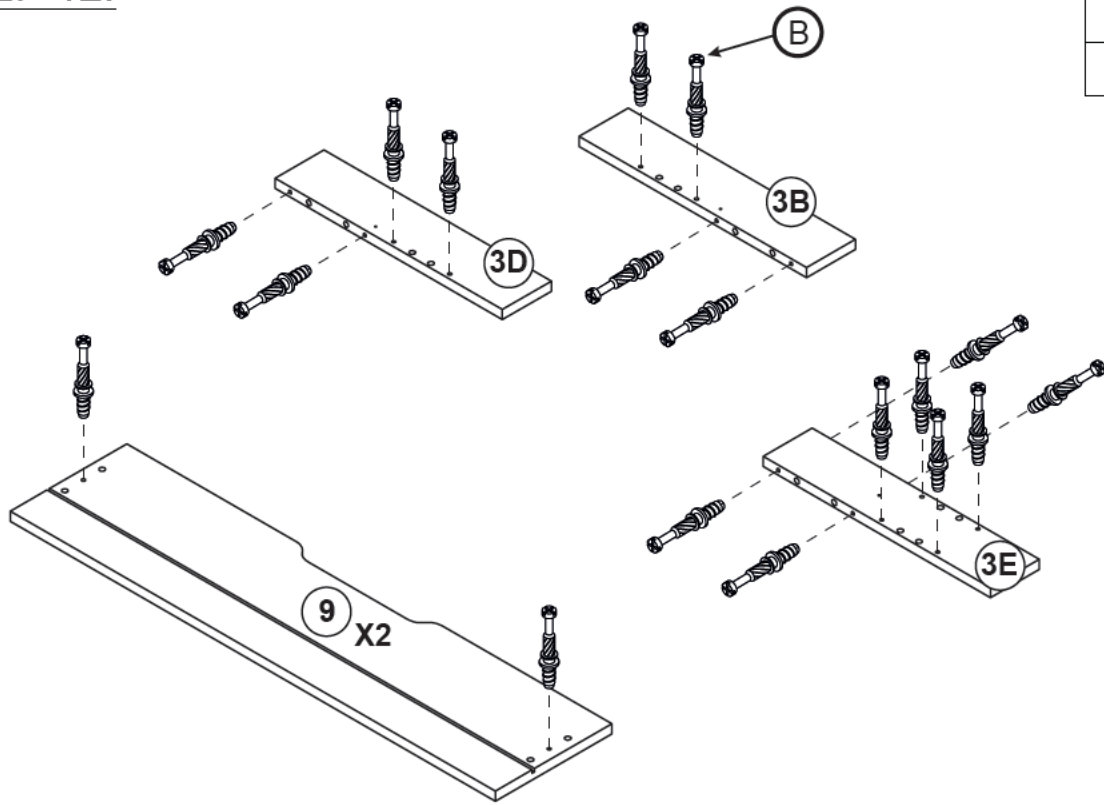


**STEP 11:**

<b>C</b>	
<b>24 PCS</b>	



**STEP 12:**



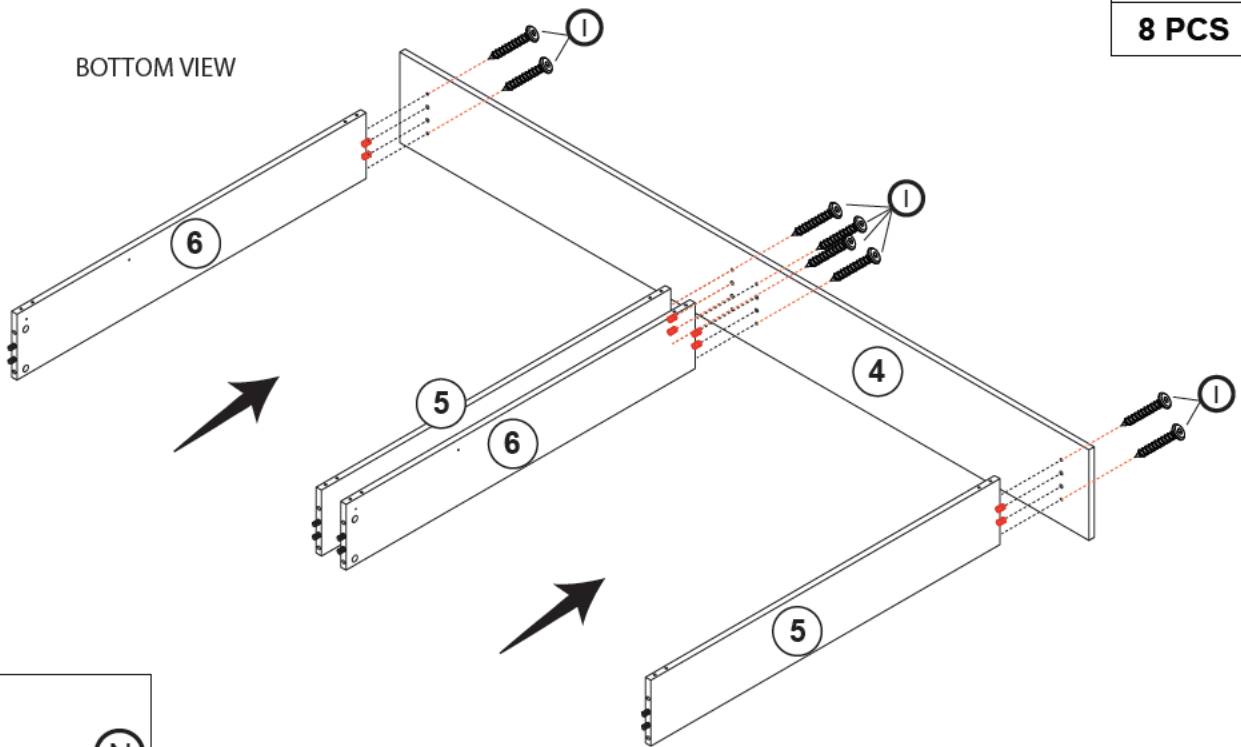
**B**



**20 PCS**

**STEP 13:**

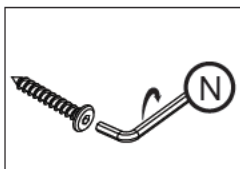
**BOTTOM VIEW**



**I**

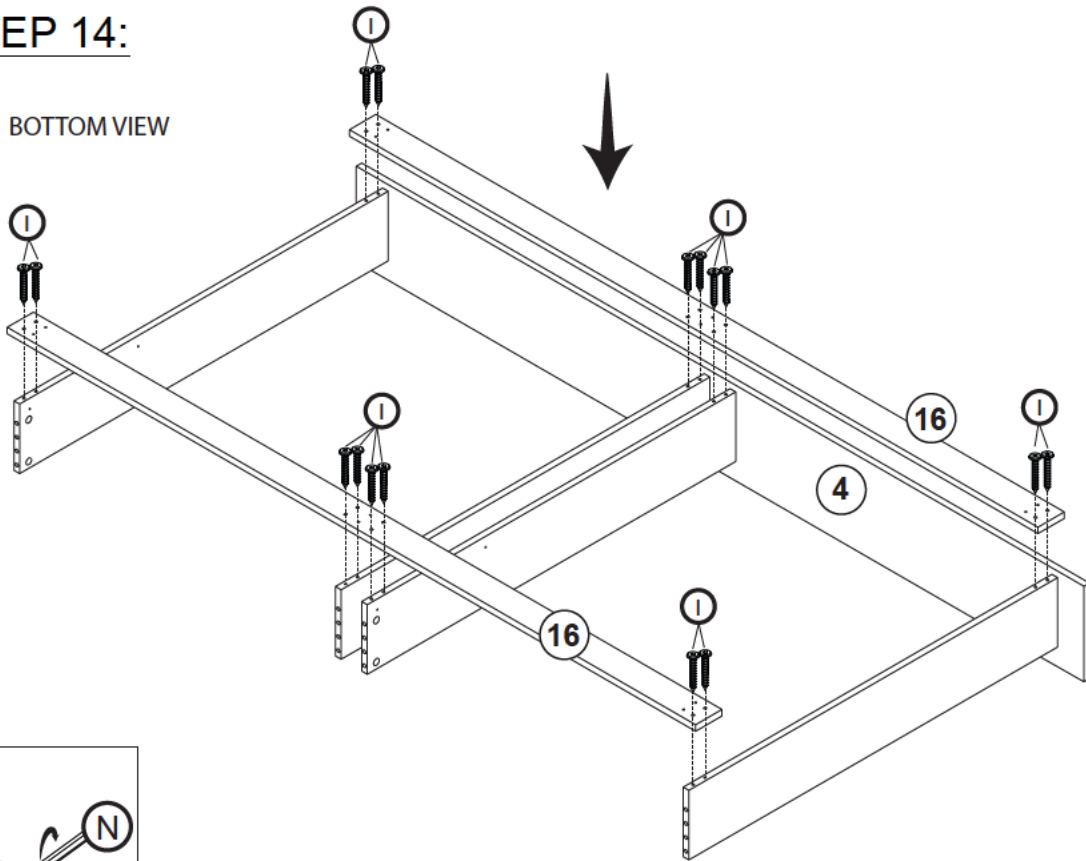



**8 PCS**

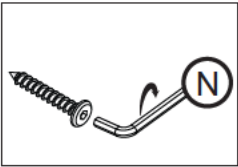


# STEP 14:

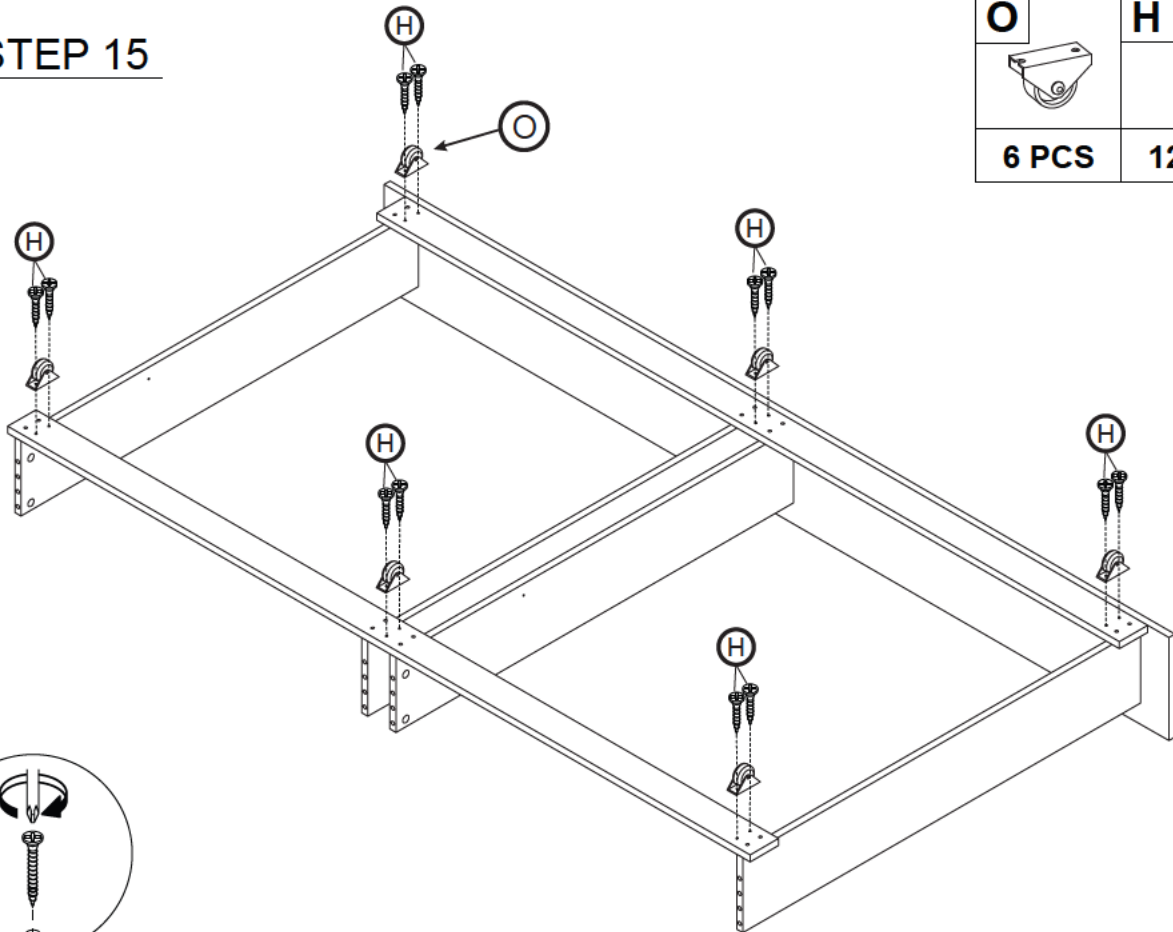
BOTTOM VIEW





I	
16 PCS	



# STEP 15



O	H
	
6 PCS	12 PCS

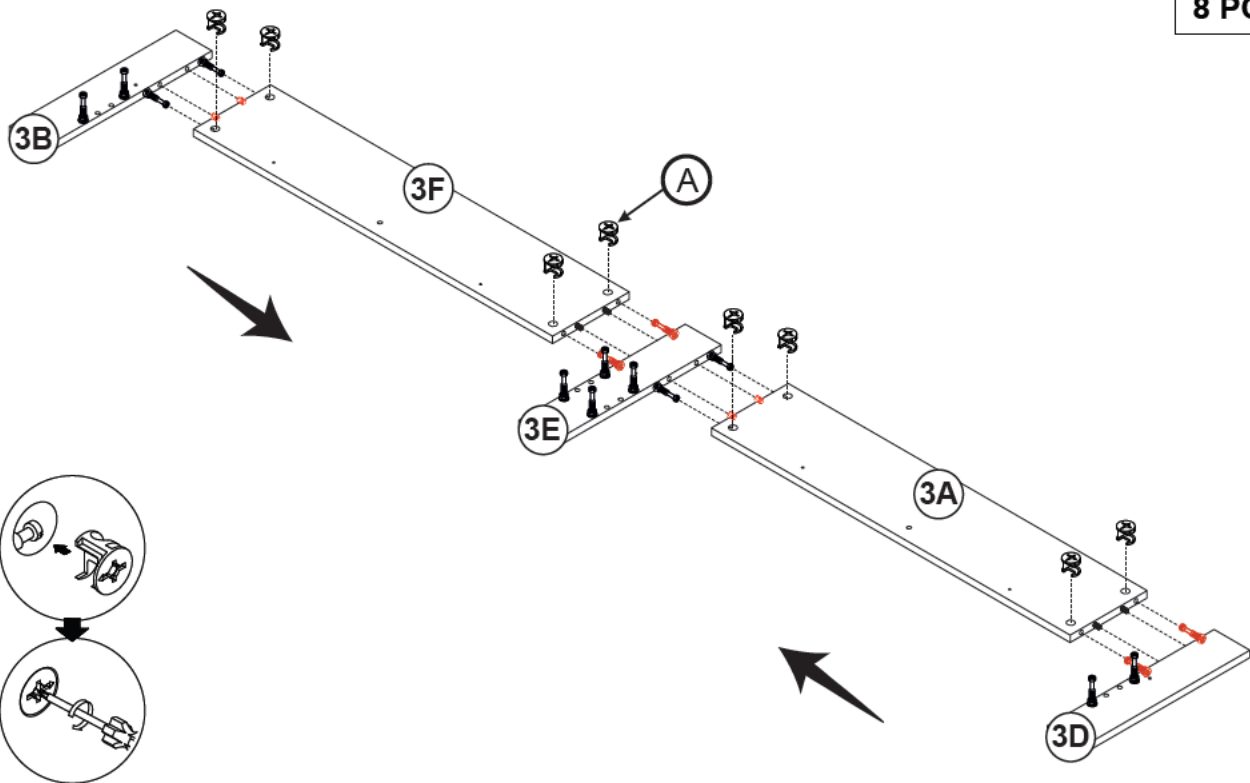


**STEP 16:**

**A**



**8 PCS**

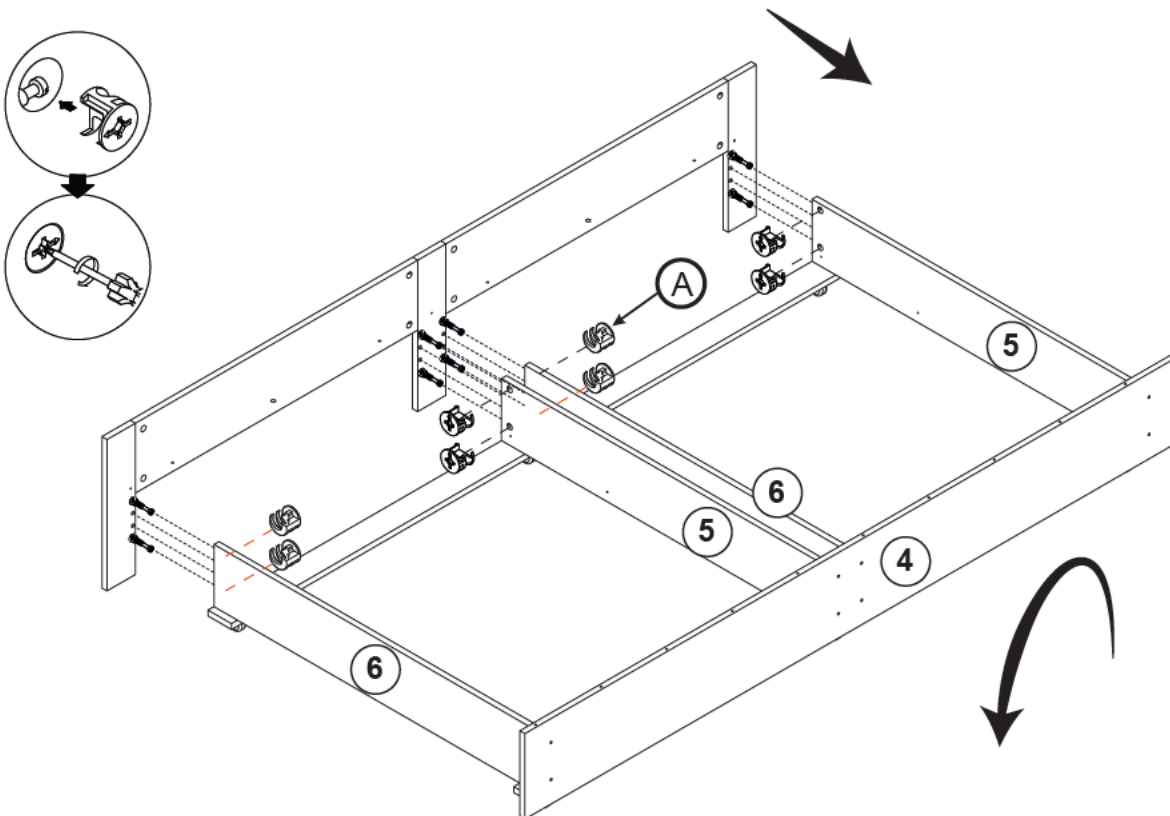


**STEP 17:**


**A**

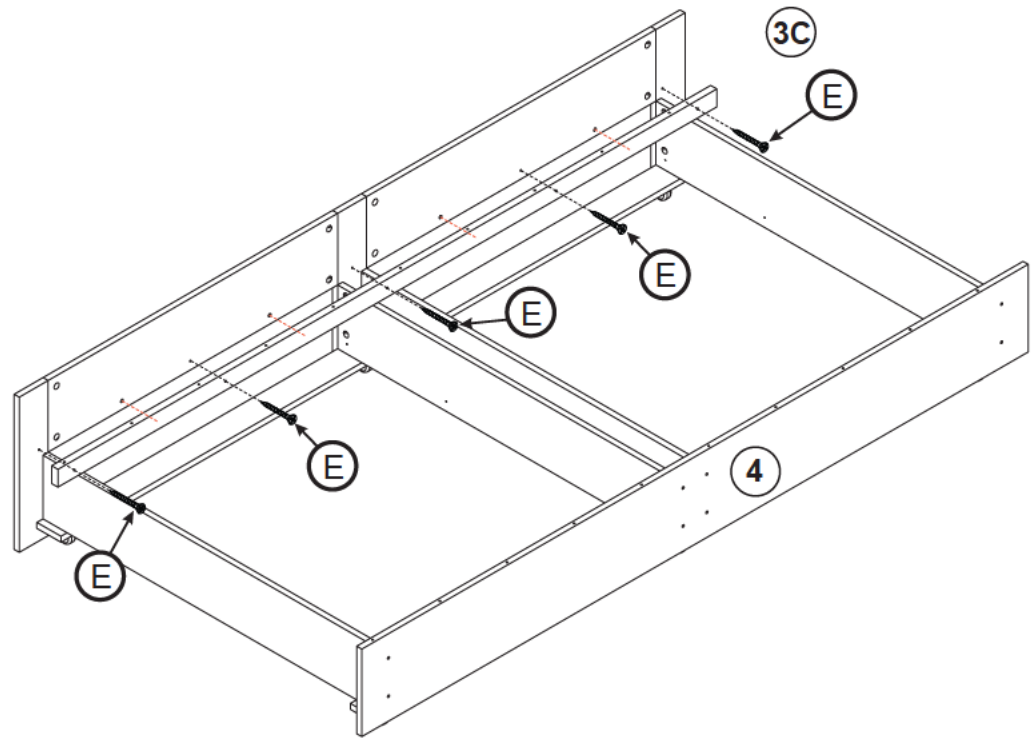


**8 PCS**





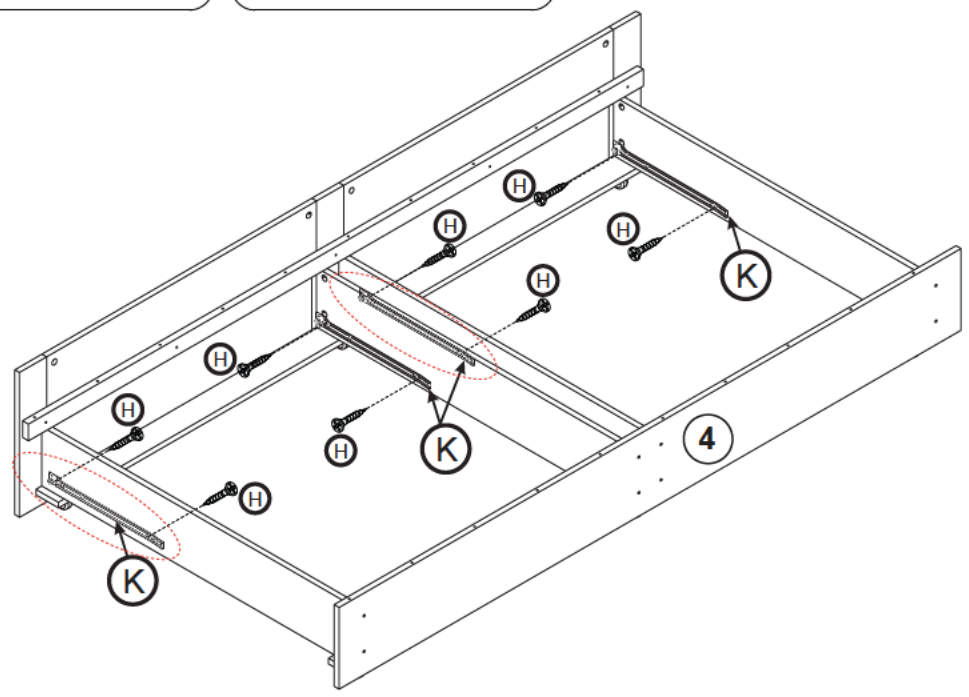
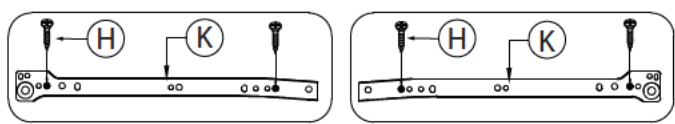
**STEP 18:**

<b>E</b>	
<b>5 PCS</b>	



**STEP 19:**

<b>H</b>		<b>K</b>	
<b>8 PCS</b>		<b>2 SETS</b>	

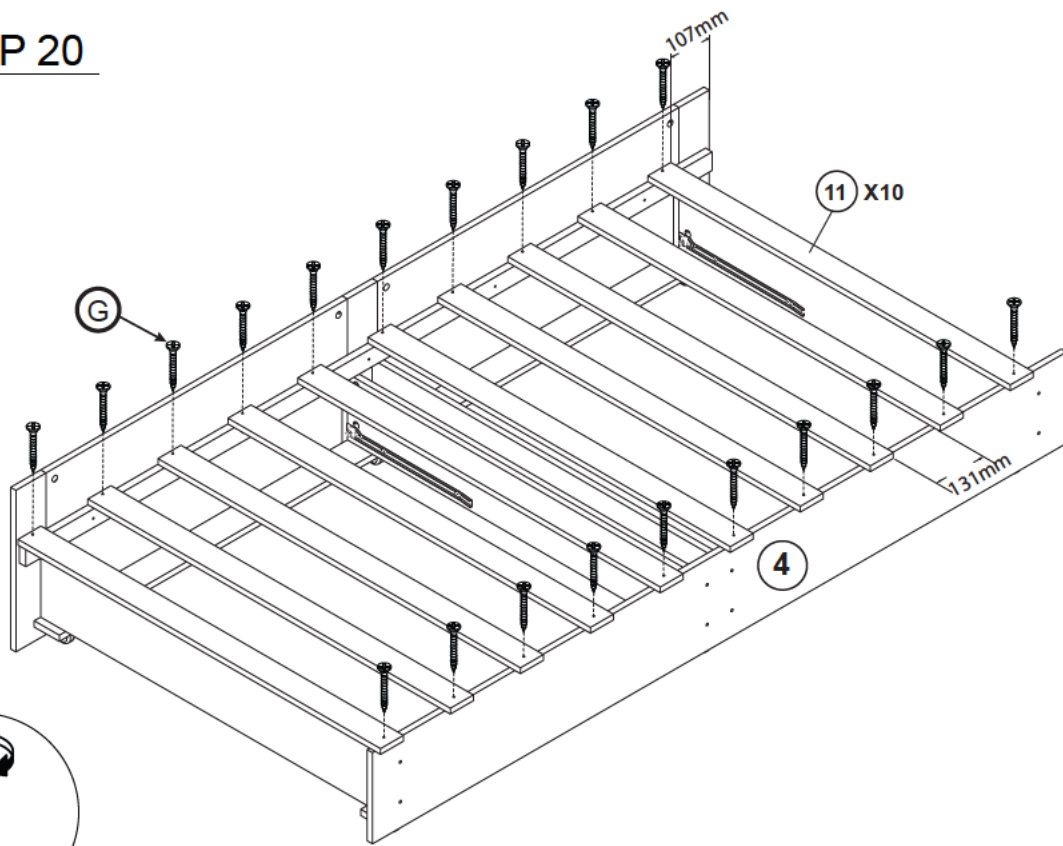


## STEP 20

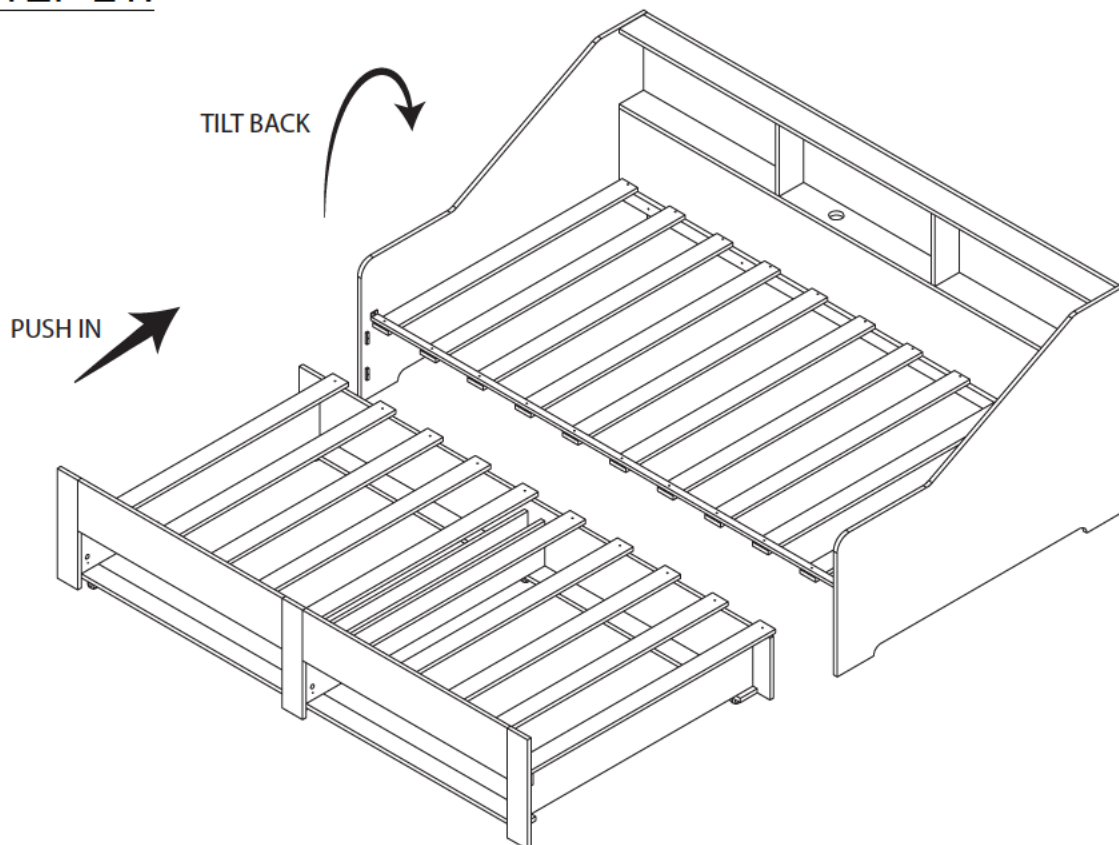
G



20 PCS



## STEP 21:



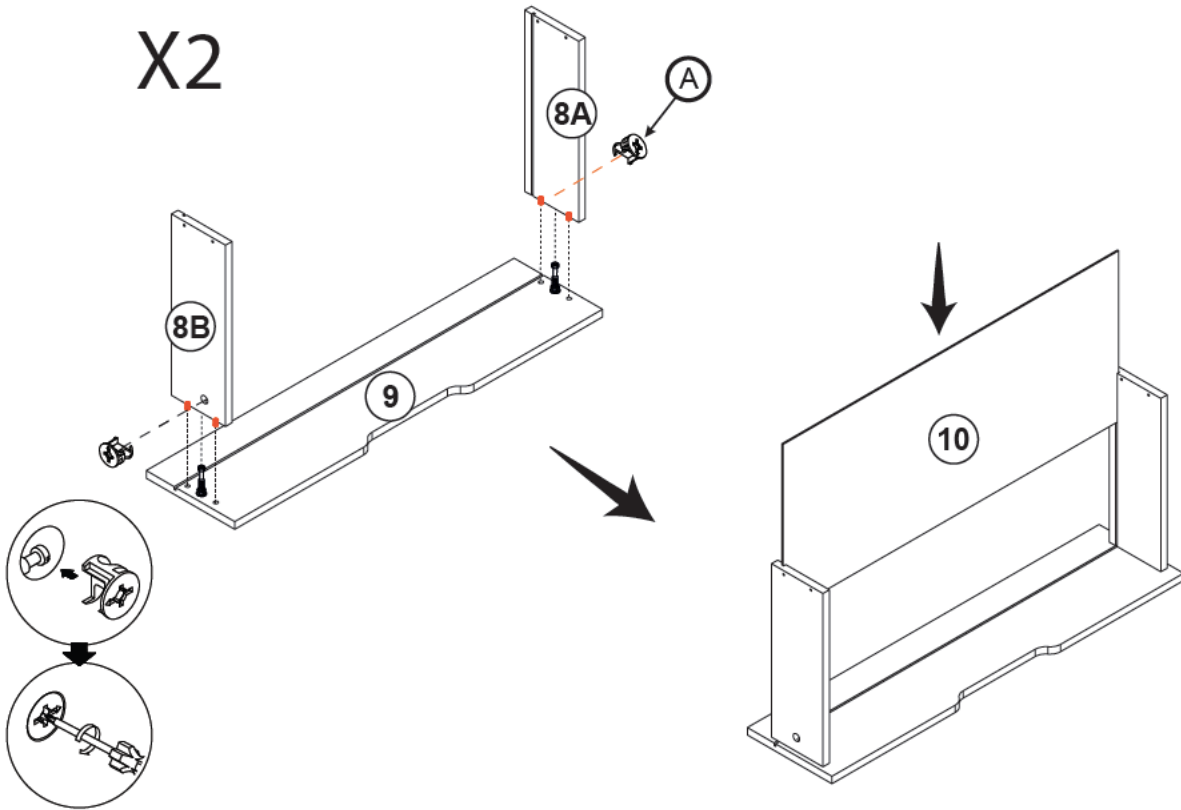
**STEP 22:**

**A**



**4 PCS**

**X2**



**STEP 23**

**H**



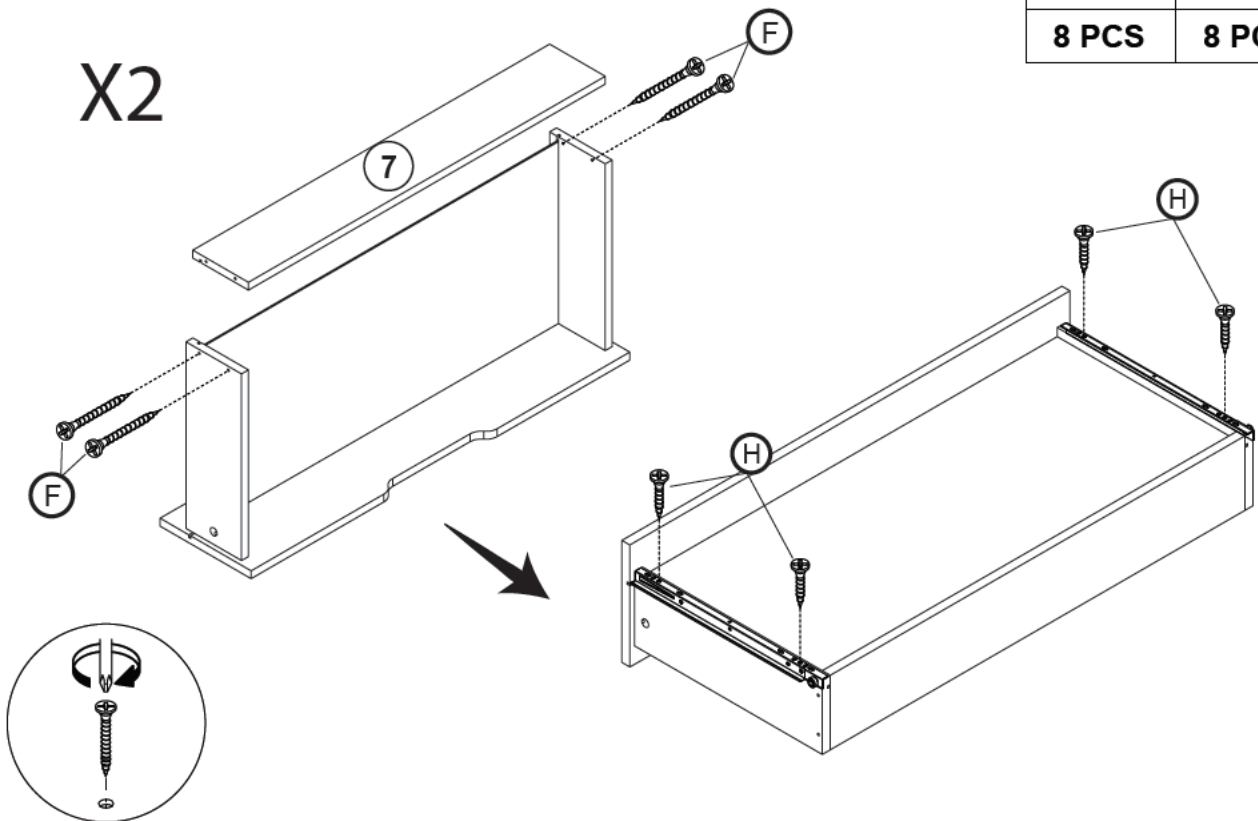
**8 PCS**

**F**

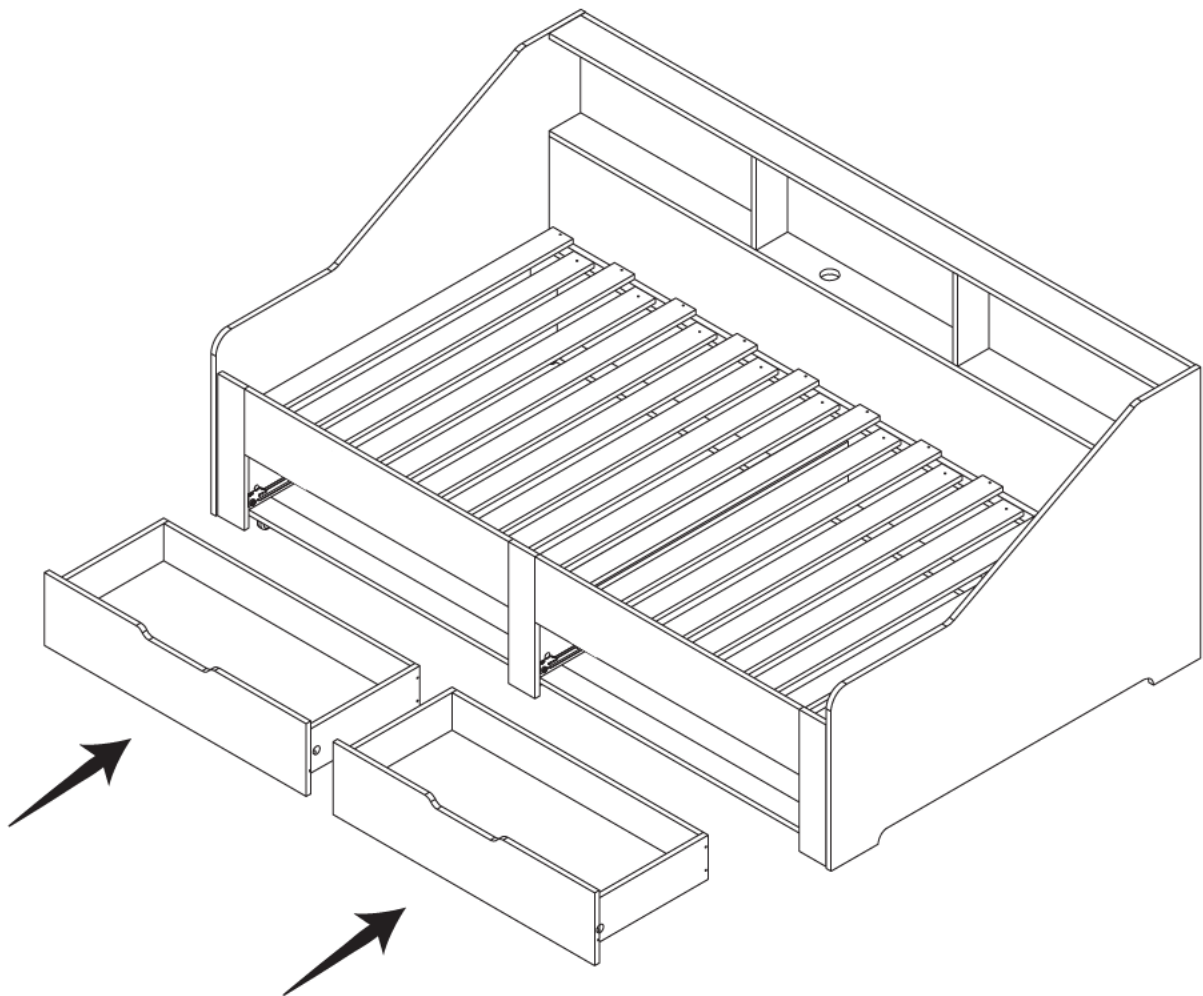


**8 PCS**

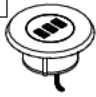

**X2**



STEP 24



STEP 25:

<b>M</b>		<b>H</b>	
<b>1 SET</b>		<b>3 PCS</b>	

**FINISH!!**

