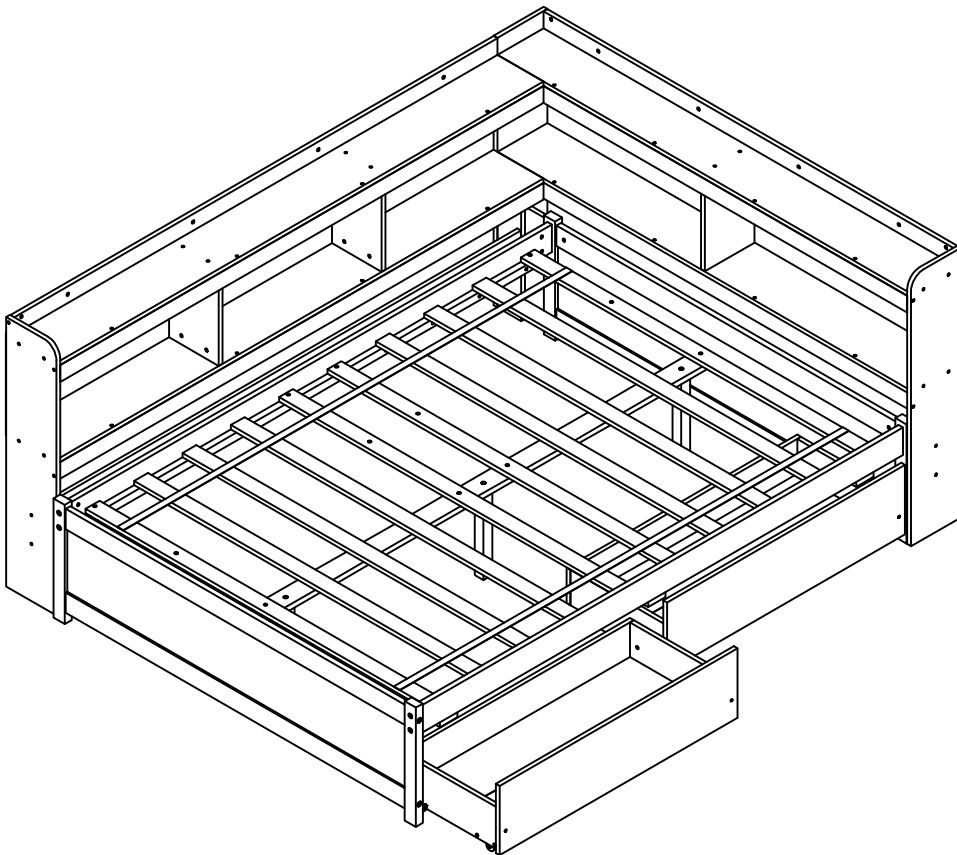


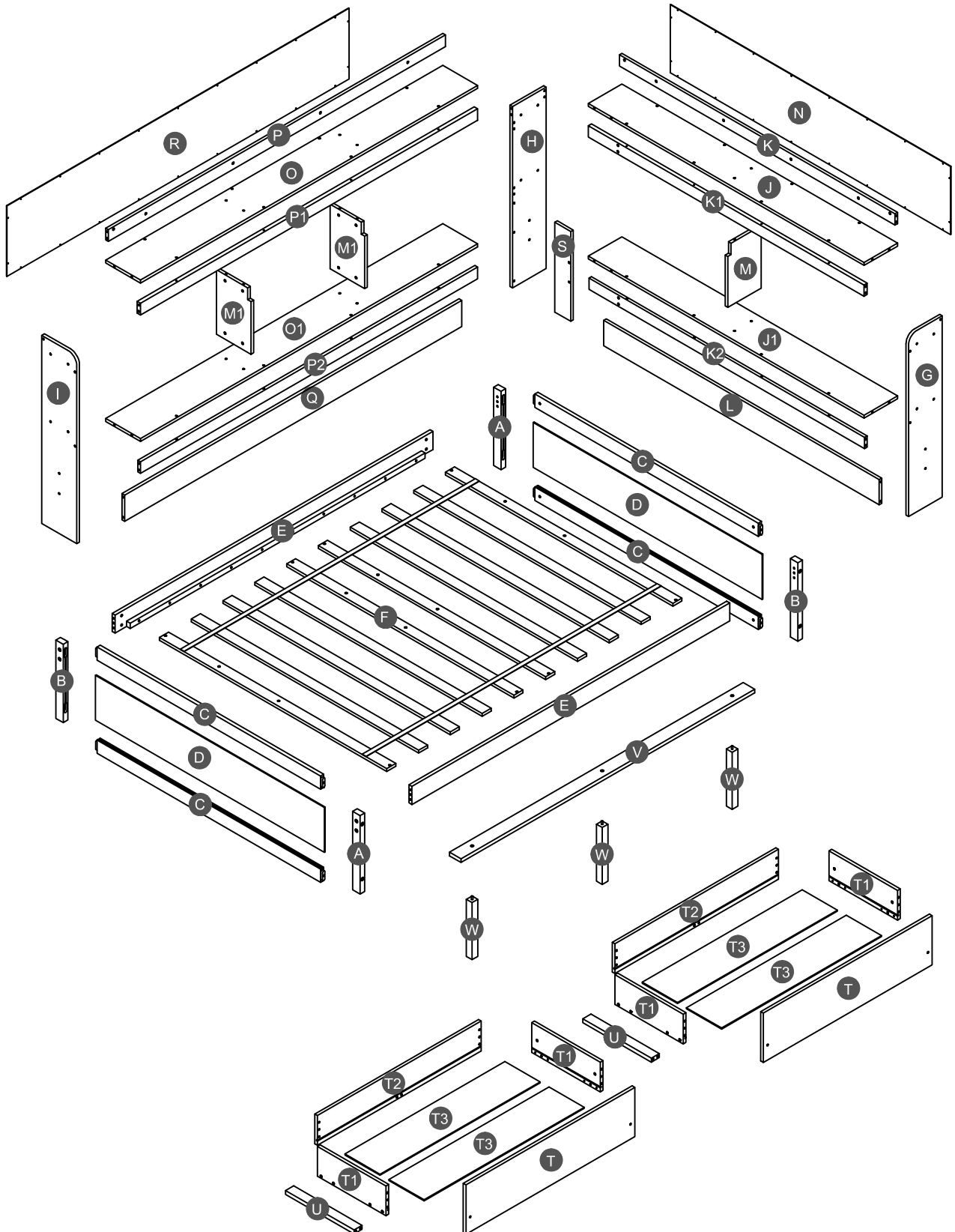
# ASSEMBLY INSTRUCTIONS

## FULL BED WITH "L" BOOKCASE, 2 DRAWERS



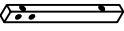

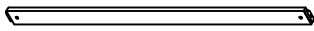

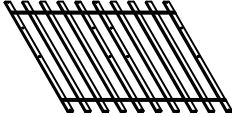

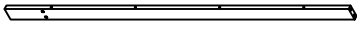
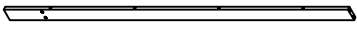

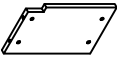
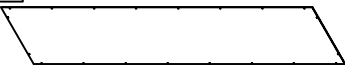
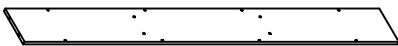
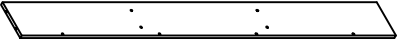
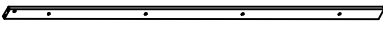
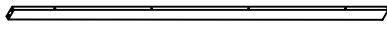

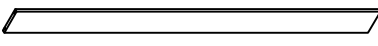
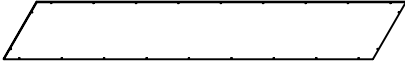
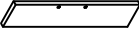
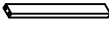

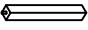
**DN33754**

# Detail View



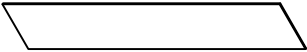
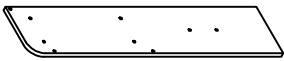
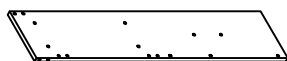
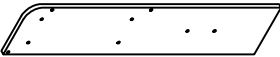
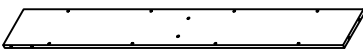
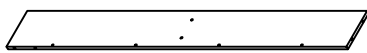

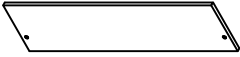
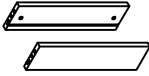

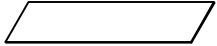
# Part List

## DN33754 (1-2)

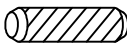
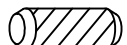
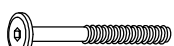
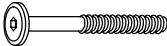


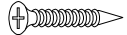

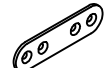
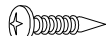
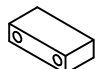
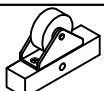
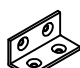
<p><b>A</b></p>  <p>Leg (Left Front/Right Back) - 2pcs</p>	<p><b>B</b></p>  <p>Leg (Left Back/Right Front) - 2pcs</p>	<p><b>C</b></p>  <p>Horizontal bar HB &amp; FB - 4pcs</p>
<p><b>E</b></p>  <p>Side rail - 2pcs</p>	<p><b>F</b></p>  <p>Slats - 1set = 10pcs</p>	<p><b>K</b></p>  <p>Upper horizontal bar (Back) - 1pc</p>
<p><b>K1</b></p>  <p>Upper horizontal bar (Front) - 1pc</p>	<p><b>K2</b></p>  <p>Lower horizontal bar (Front) - 1pc</p>	<p><b>M</b></p>  <p>Divider panel - 1pc</p>
<p><b>M1</b></p>  <p>Divider panel - 2pcs</p>	<p><b>N</b></p>  <p>Back panel - 1pc</p>	<p><b>O</b></p>  <p>Top panel - 1pc</p>
<p><b>O1</b></p>  <p>Shelf panel - 1pc</p>	<p><b>P</b></p>  <p>Upper horizontal bar (Back) - 1pc</p>	<p><b>P1</b></p>  <p>Upper horizontal bar (Front) - 1pc</p>
<p><b>P2</b></p>  <p>Lower horizontal bar (Front) - 1pc</p>	<p><b>Q</b></p>  <p>Lower horizontal bar - 1pc</p>	<p><b>R</b></p>  <p>Back panel - 1pc</p>
<p><b>S</b></p>  <p>Support (Front) - 1pc</p>	<p><b>U</b></p>  <p>Support drawer - 2pcs</p>	<p><b>V</b></p>  <p>Lower support slat - 1pc</p>
<p><b>W</b></p>  <p>Leg support - 3pcs</p>		

# Part List

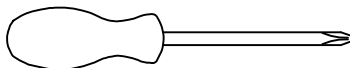
## Hardware List DN33754 (2-2)

<p><b>D</b></p>  <p>Side panel HB &amp; FB - 2pcs</p>	<p><b>G</b></p>  <p>Side panel (Right) - 1pc</p>	<p><b>H</b></p>  <p>Side panel (Left) - 1pc</p>
<p><b>I</b></p>  <p>Side panel (Left) - 1pc</p>	<p><b>J</b></p>  <p>Top panel - 1pc</p>	<p><b>J1</b></p>  <p>Shelf panel - 1pc</p>
<p><b>L</b></p>  <p>Lower horizontal bar - 1pc</p>	<p><b>T</b></p>  <p>Front drawer panel - 2pcs</p>	<p><b>T1</b></p>  <p>Left / right drawer panel - 4pcs</p>
<p><b>T2</b></p>  <p>Back drawer panel - 2pcs</p>	<p><b>T3</b></p>  <p>Drawer bottom - 4pcs</p>	

## Hardware List DN33754 (2-2)

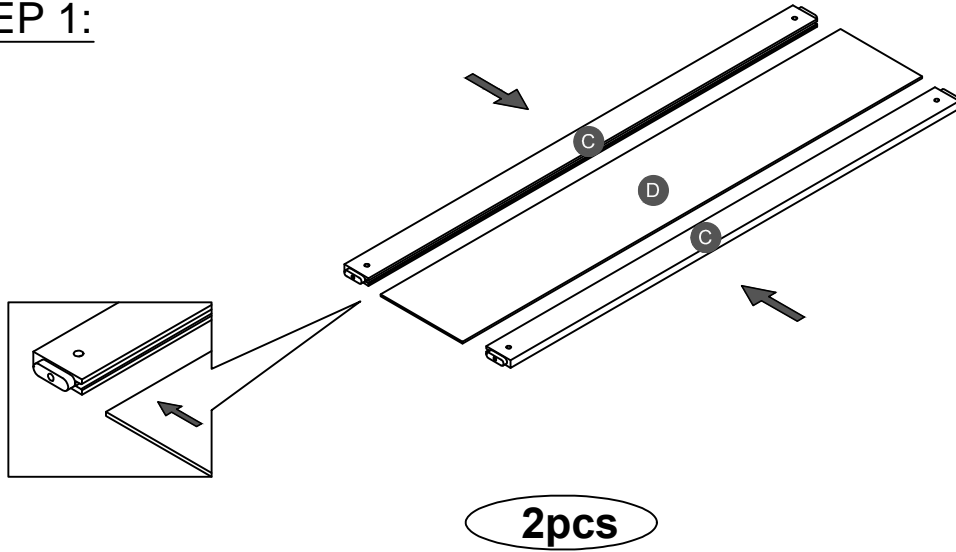
<b>1</b>  Ø8*30mm Wood dowel (45pcs)	<b>2</b>  Ø10*20mm Wood dowel (8pcs)	<b>3</b>  (Ø15)1/4"*80mm Hex-Head bolts (16pcs)
<b>4</b>  (Ø12)1/4"*60mm Hex-Head bolts (70pcs)	<b>5</b>  1/4"*15 (9.5mm) Horizontal-Hole bolts(86pcs)	<b>6</b>  (Ø12)1/4"*40mm Hex-Head bolts (8pcs)
<b>7</b>  Ø4*30mm Wood screws (34pcs)	<b>8</b>  (1/4")4.5*58mm Allen key (1pc)	<b>9</b>  75*20*2 mm Metal bracket (2pcs)
<b>10</b>  Ø3.5*15mm Wood screws (58pcs)	<b>11</b>  70*35*19 mm Drawer stopper (3pcs)	<b>12</b>  100*54*20 mm Wheels (8pcs)
<b>13</b>  40*18*18*2mm Metal bracket (2pcs)		

### ASSEMBLY TOOLS REQUIRED ( NOT INCLUDED )



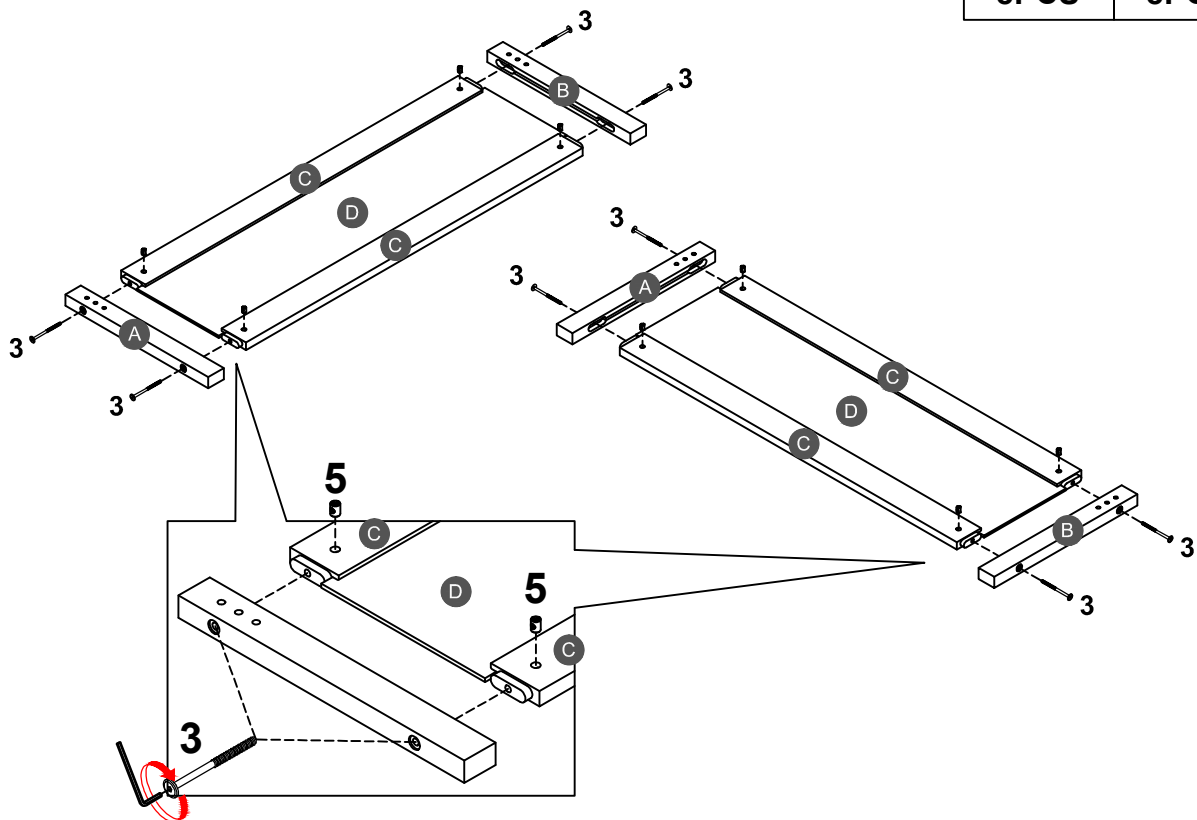
PLEASE BE CAREFUL DO NOT DAMAGE THE HOLE POSITION WHEN YOU USE POWER TOOLS !

**STEP 1:**

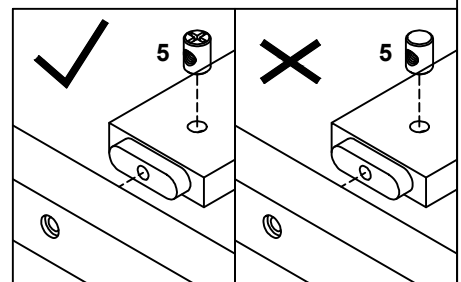


**STEP 2:**


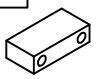
<b>3</b>		<b>5</b>	
<b>8PCS</b>		<b>8PCS</b>	

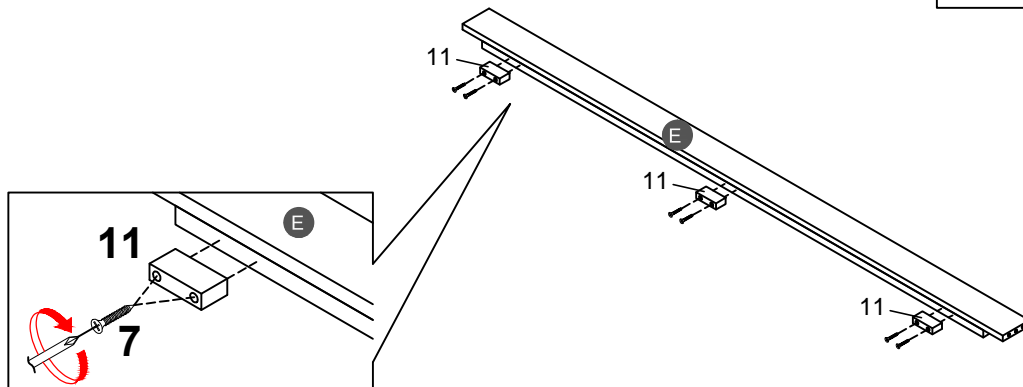


Note: Part 5 will face up with the "x" mark on it, otherwise it cannot be tightened






**STEP 3:**

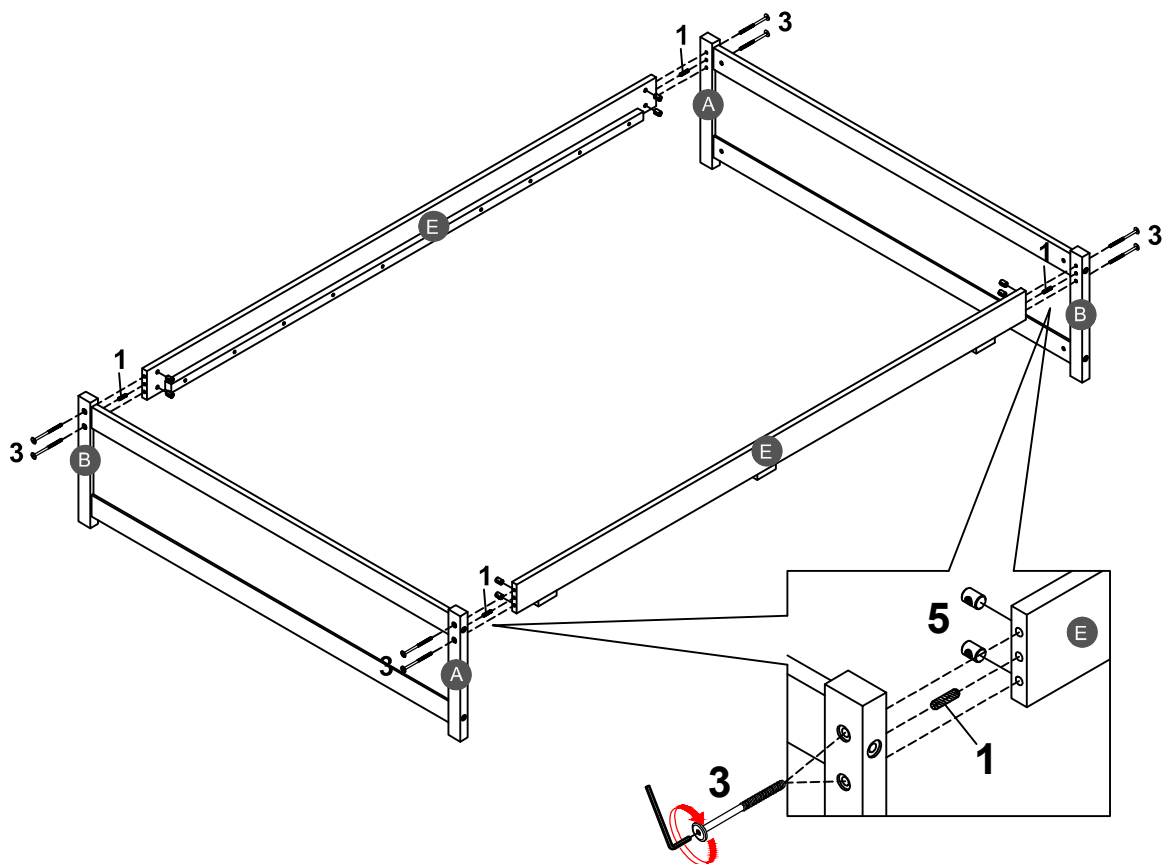
<b>7</b> 	<b>11</b> 
<b>6PCS</b>	<b>3PCS</b>



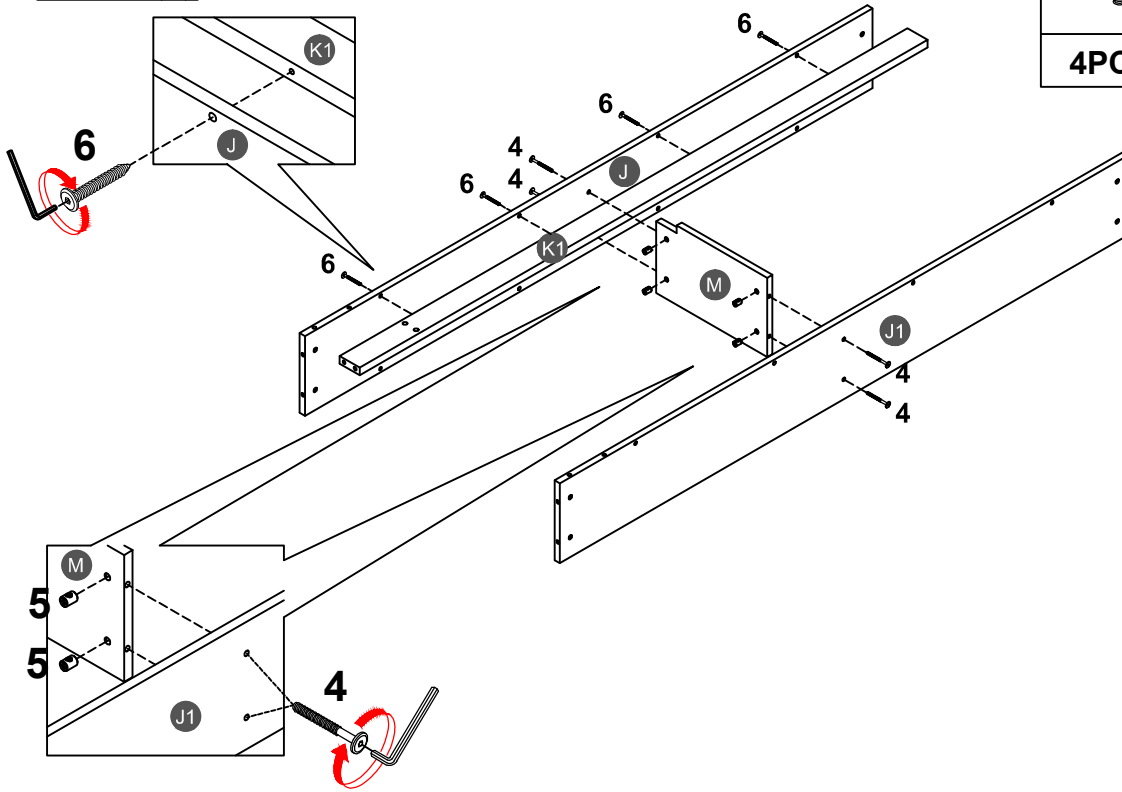
Drawer stopper (11) with lower side rail front (E) by using screw (7).




**STEP 4:**

<b>1</b> 	<b>3</b> 	<b>5</b> 
<b>4PCS</b>	<b>8PCS</b>	<b>8PCS</b>

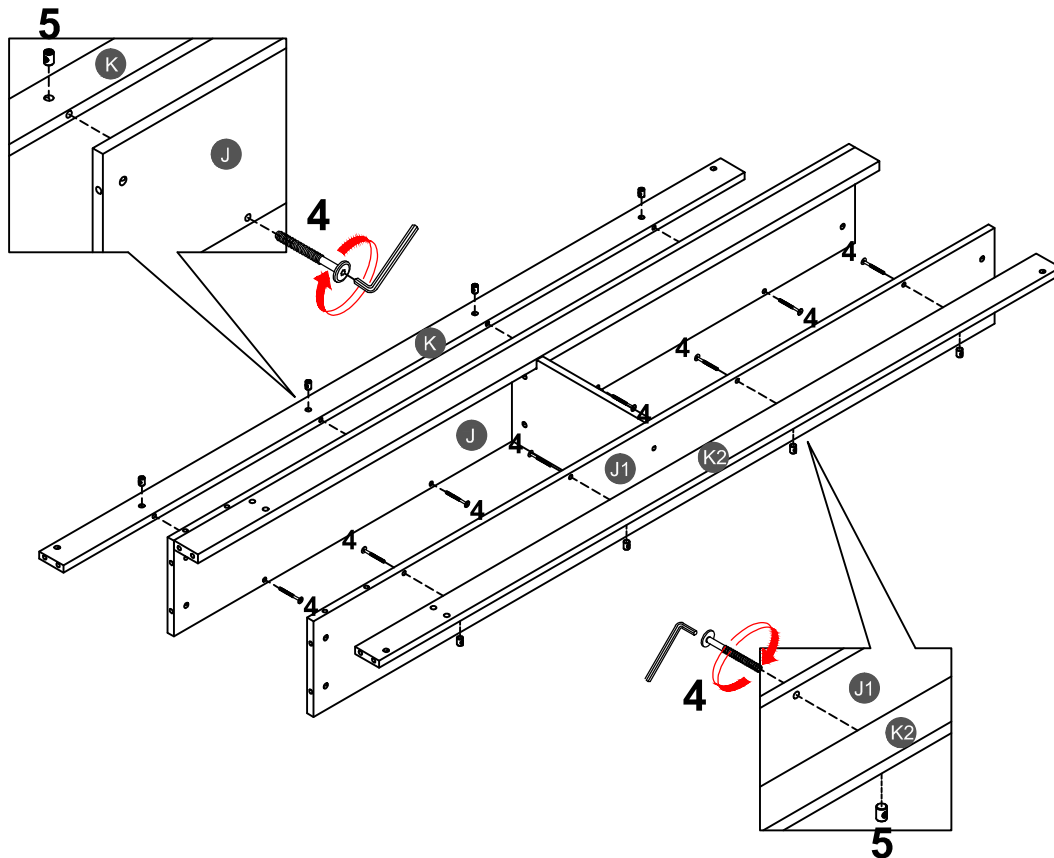




**STEP 5:**



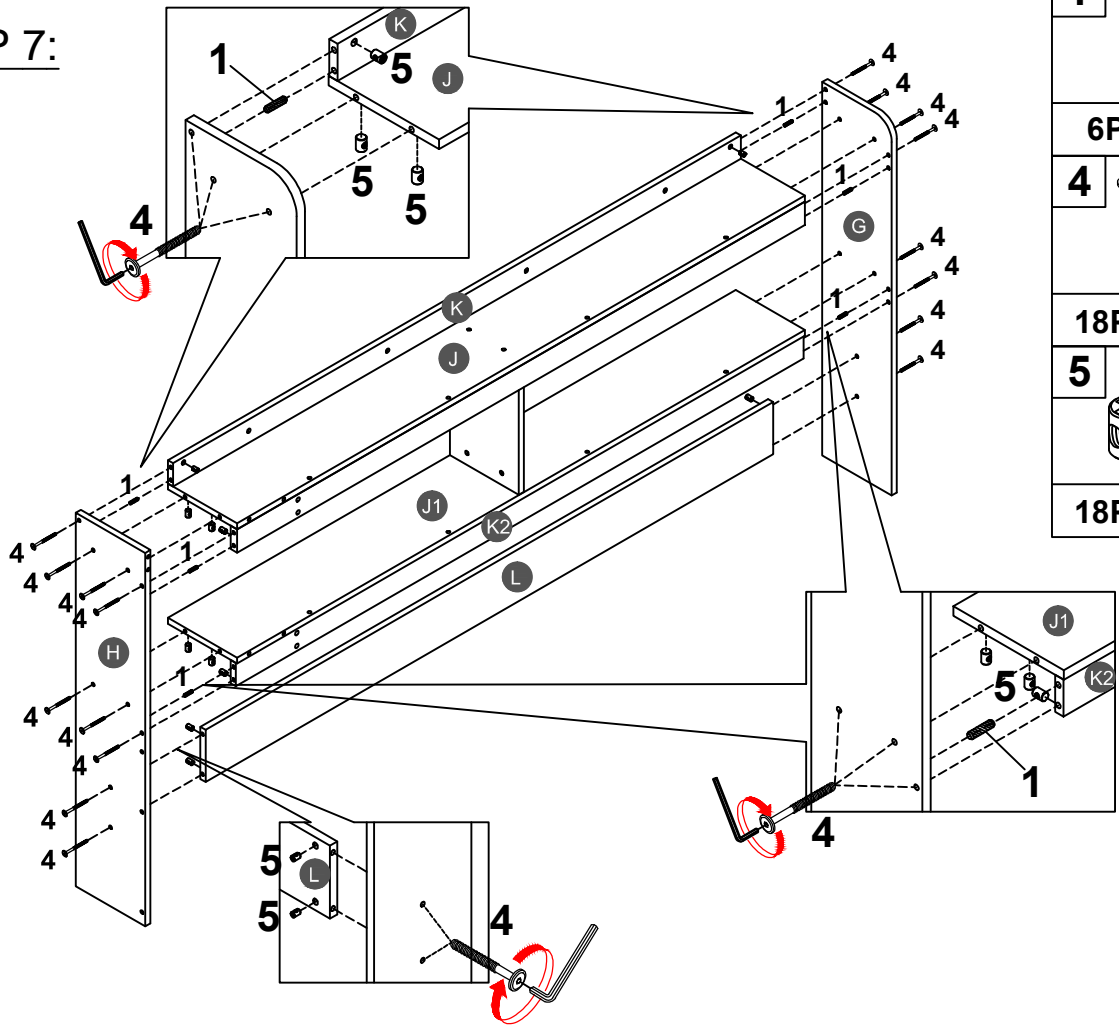
<b>4</b>		<b>5</b>	
<b>4PCS</b>		<b>4PCS</b>	
<b>6</b>			
<b>4PCS</b>			




**STEP 6:**



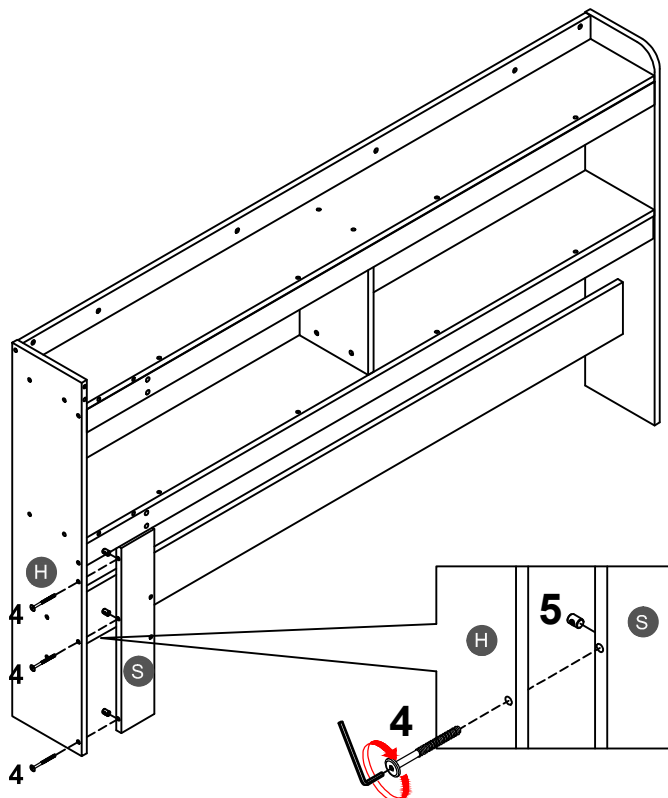
<b>4</b>			
<b>8PCS</b>			
<b>5</b>			
<b>8PCS</b>			



**STEP 7:**



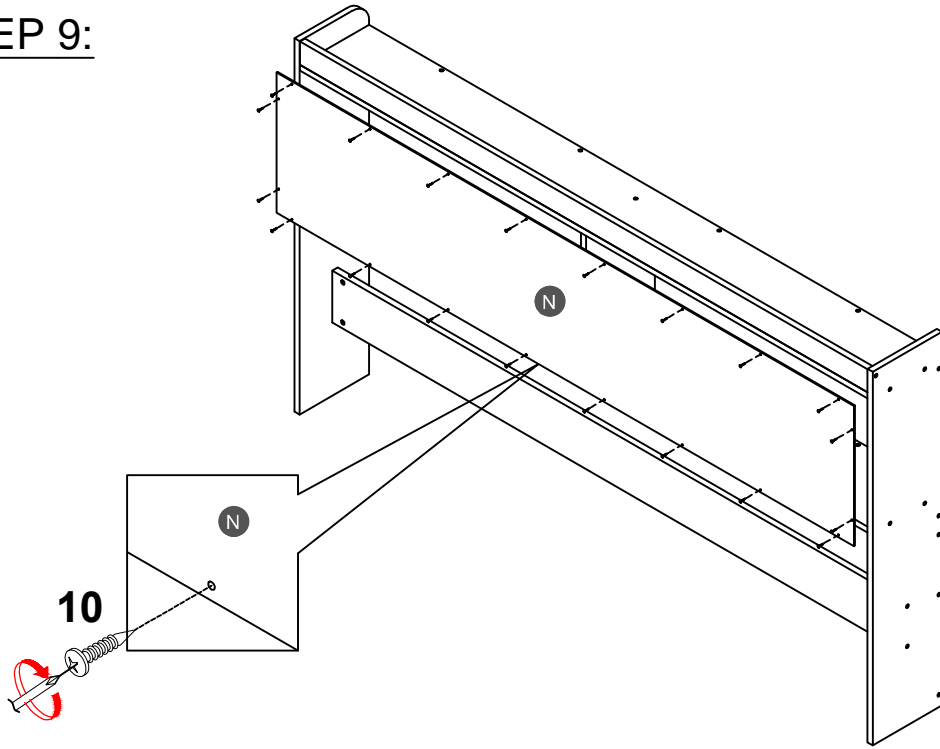
- 1  6PCS
- 4  18PCS
- 5  18PCS


**STEP 8:**



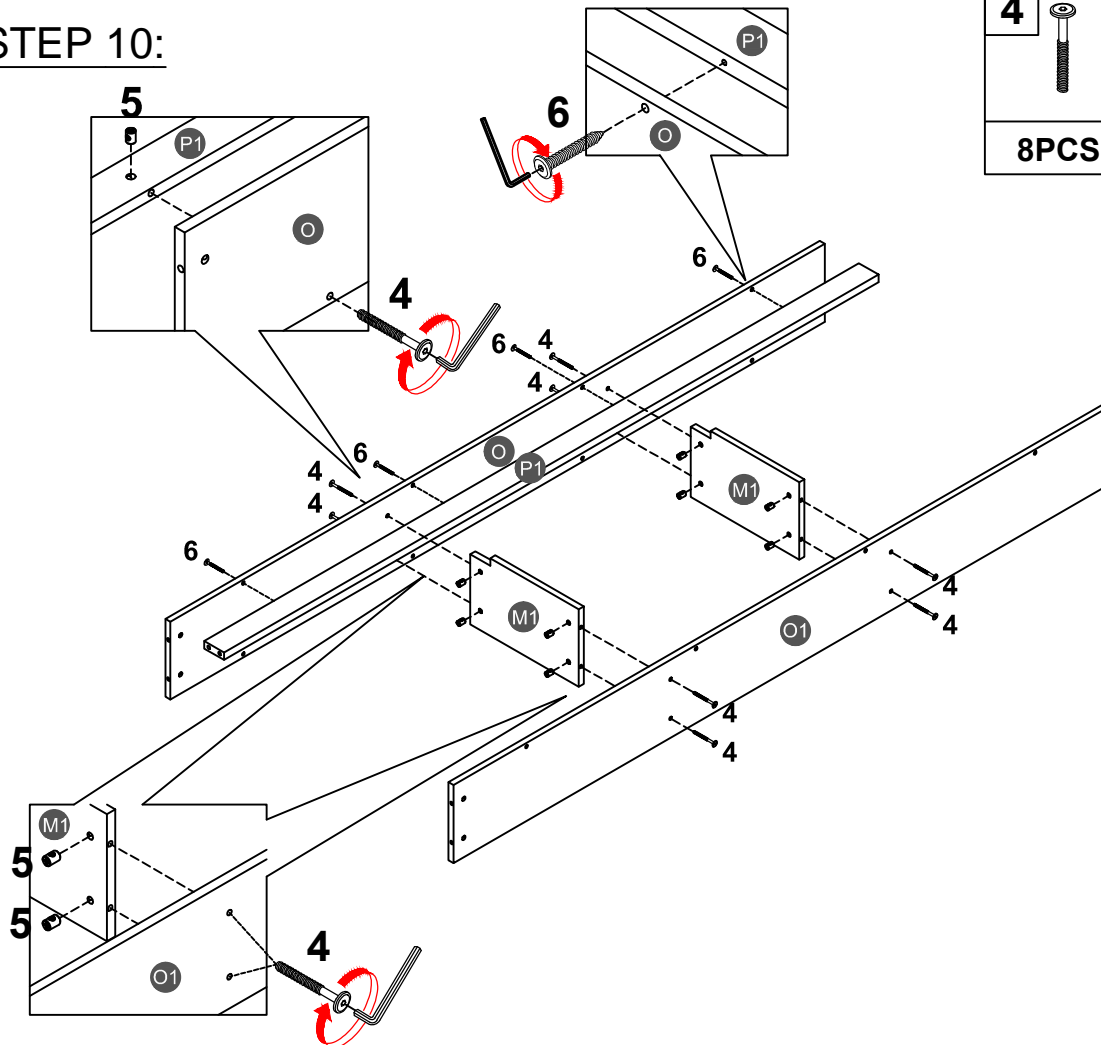
- 4  3PCS
- 5  3PCS




**STEP 9:**



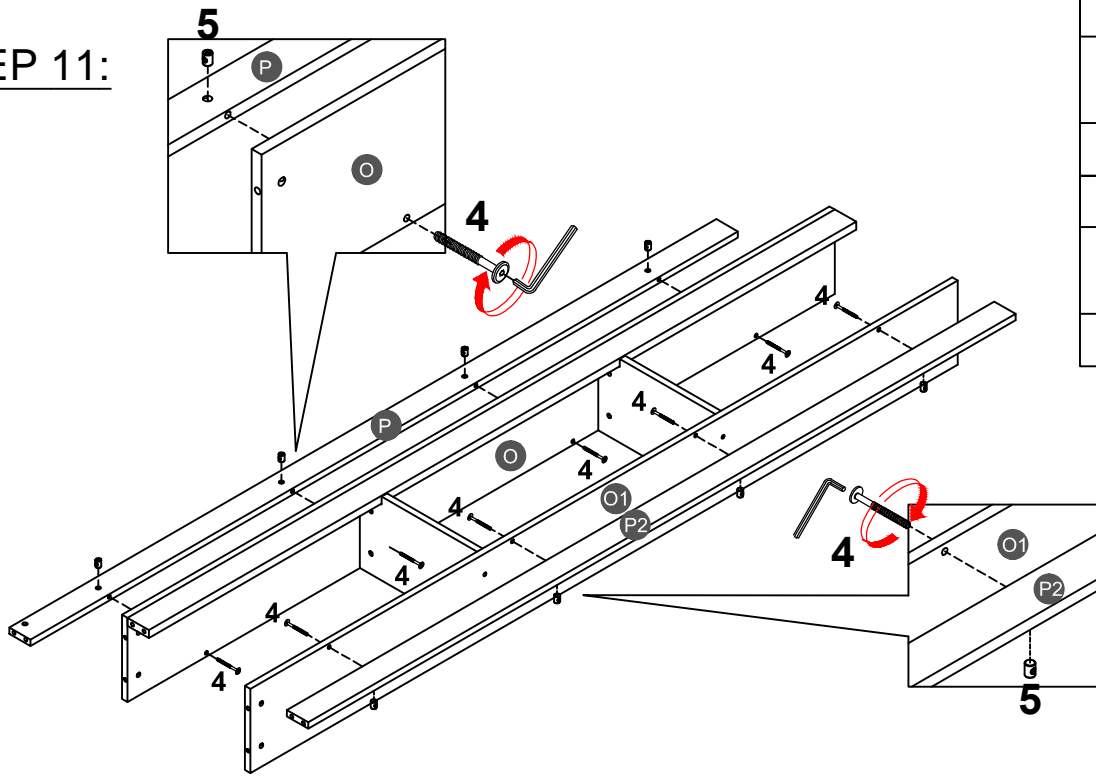
<b>10</b>	
<b>20PCS</b>	

**STEP 10:**



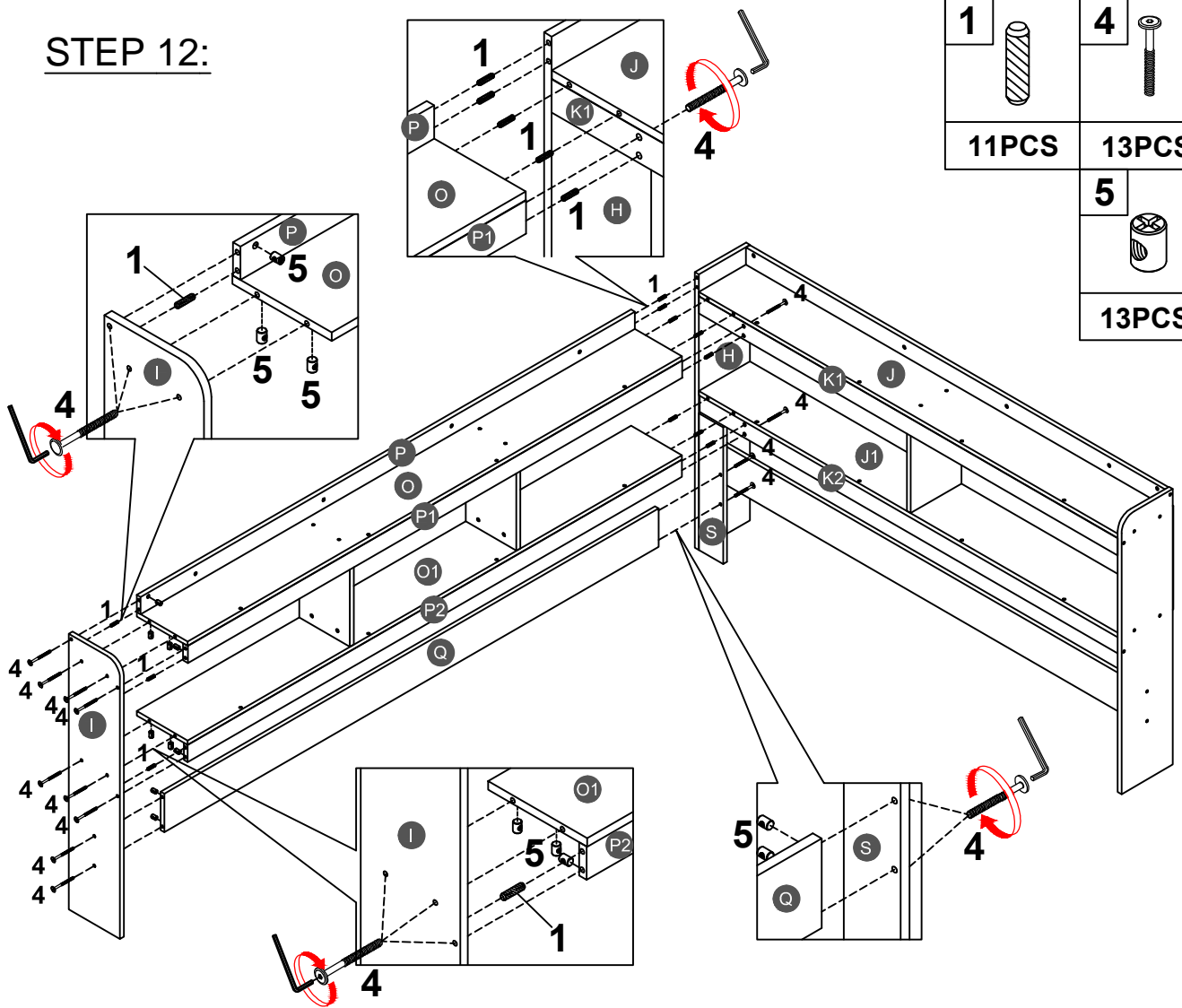
<b>4</b>		<b>5</b>	
<b>8PCS</b>		<b>8PCS</b>	
		<b>6</b>	
		<b>4PCS</b>	

**STEP 11:**



<b>4</b>	
<b>8PCS</b>	
<b>5</b>	
<b>8PCS</b>	

**STEP 12:**



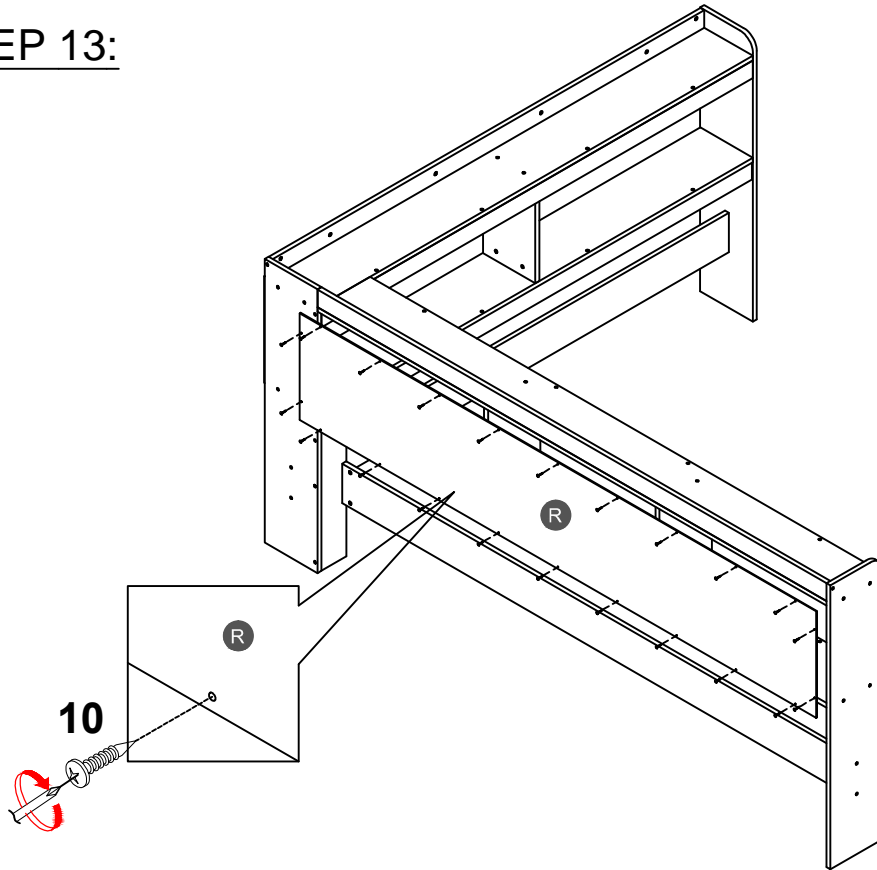
<b>1</b>		<b>4</b>	
<b>11PCS</b>		<b>13PCS</b>	
		<b>5</b>	
		<b>13PCS</b>	

**STEP 13:**

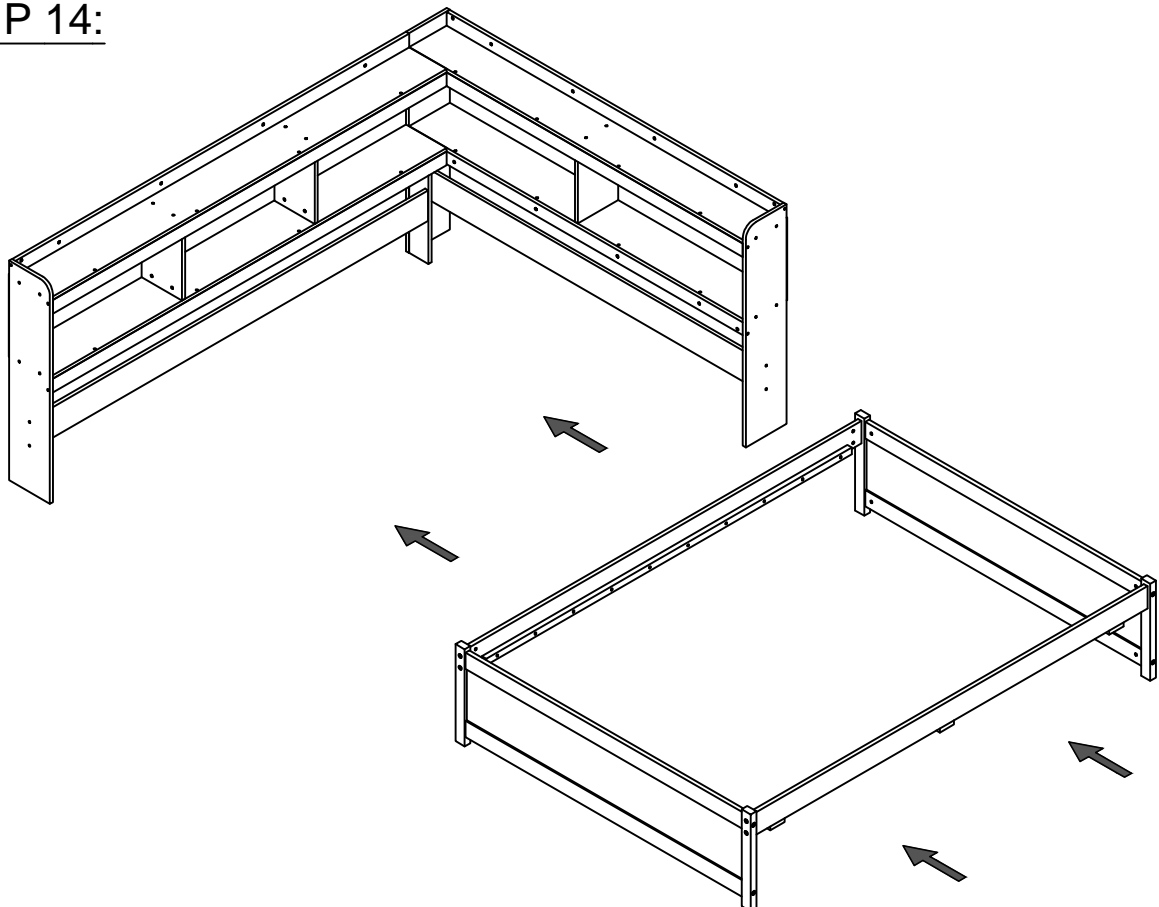
**10**



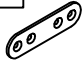

**22PCS**

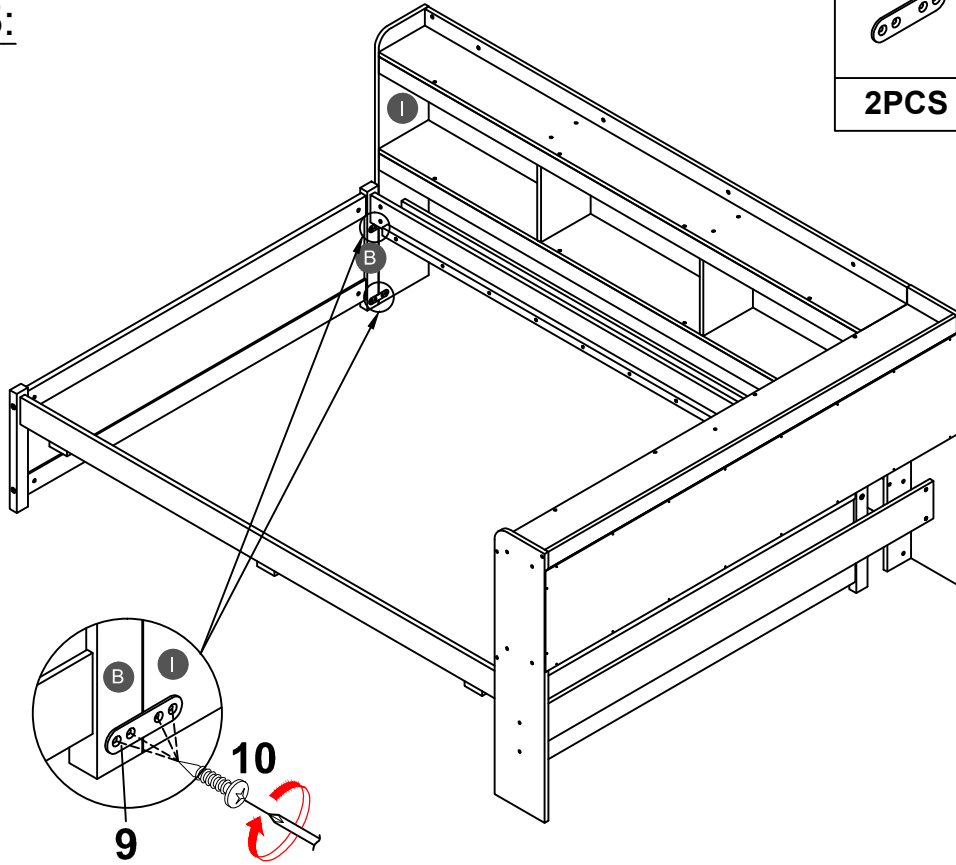


**STEP 14:**


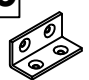


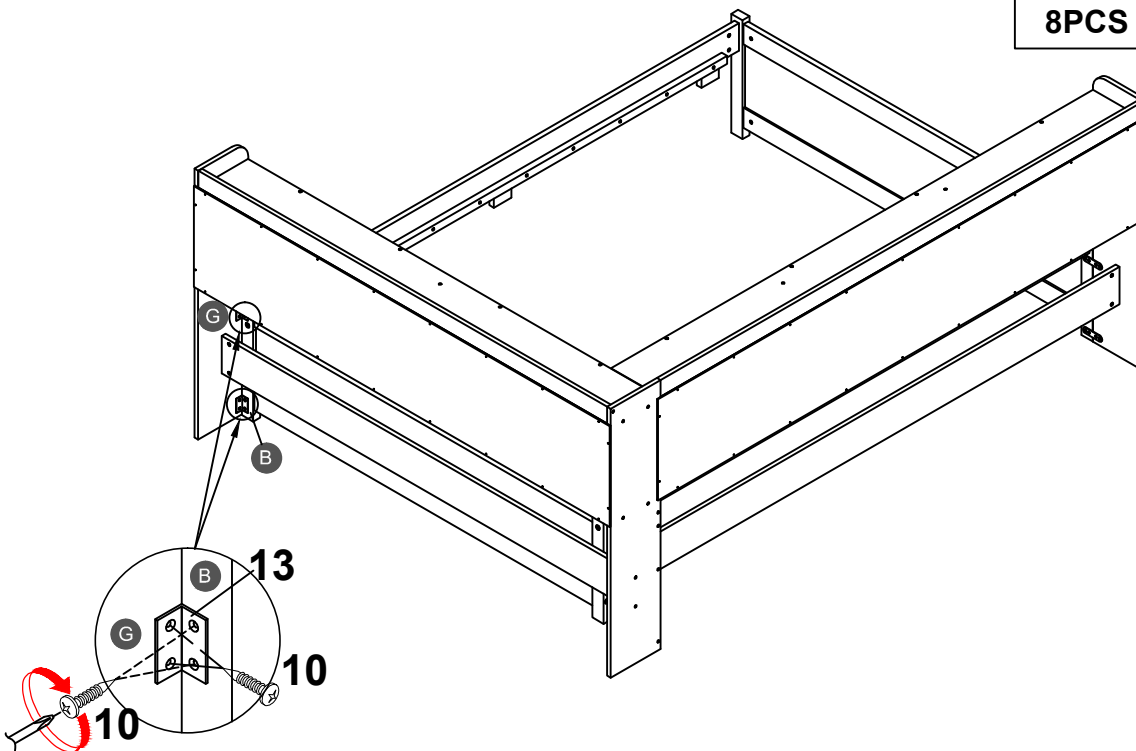
**STEP 15:**

<b>9</b> 	<b>10</b> 
<b>2PCS</b>	<b>8PCS</b>

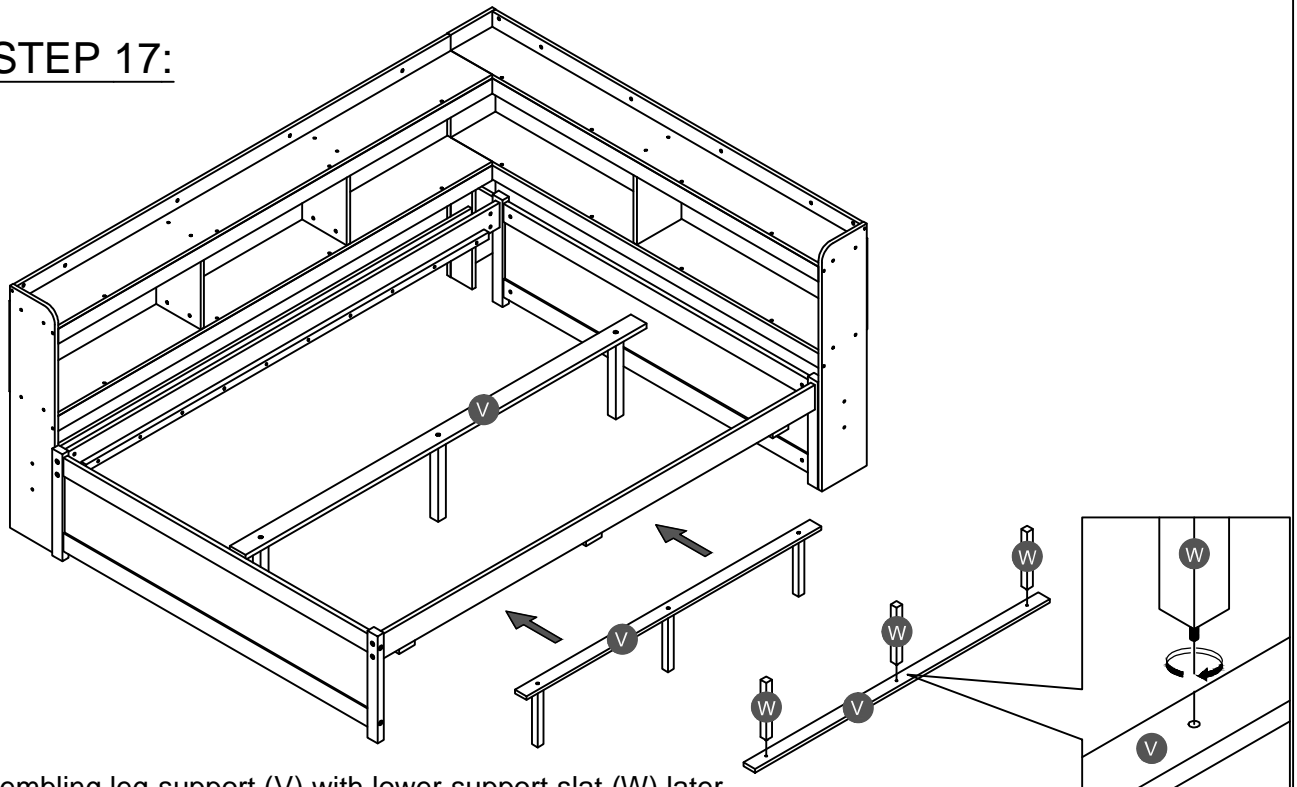


**STEP 16:**

<b>10</b> 	<b>13</b> 
<b>8PCS</b>	<b>2PCS</b>

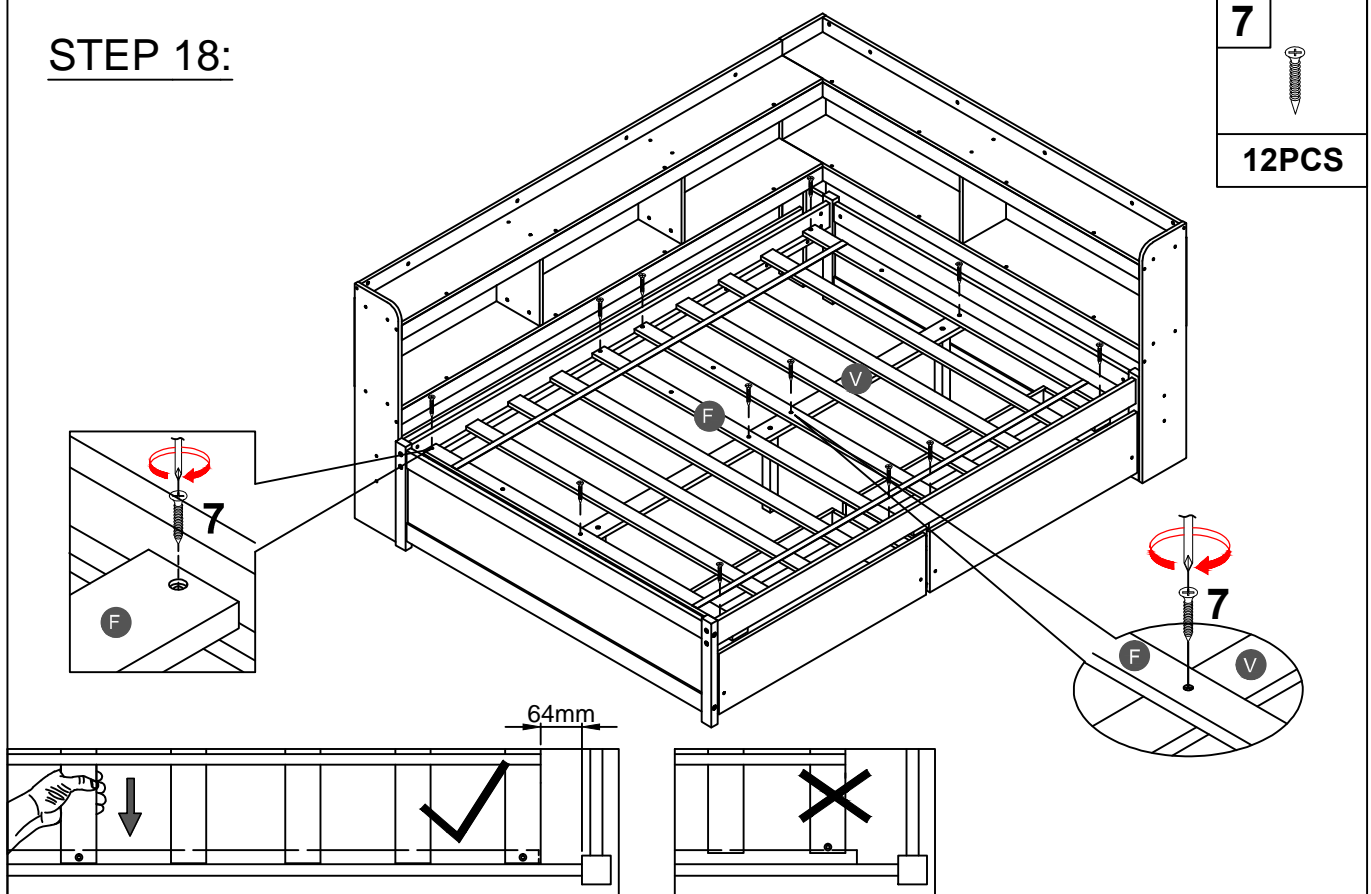


## STEP 17:



Assembling leg support (V) with lower support slat (W) later rotate, Move support slat inside Full bunkbed.

## STEP 18:



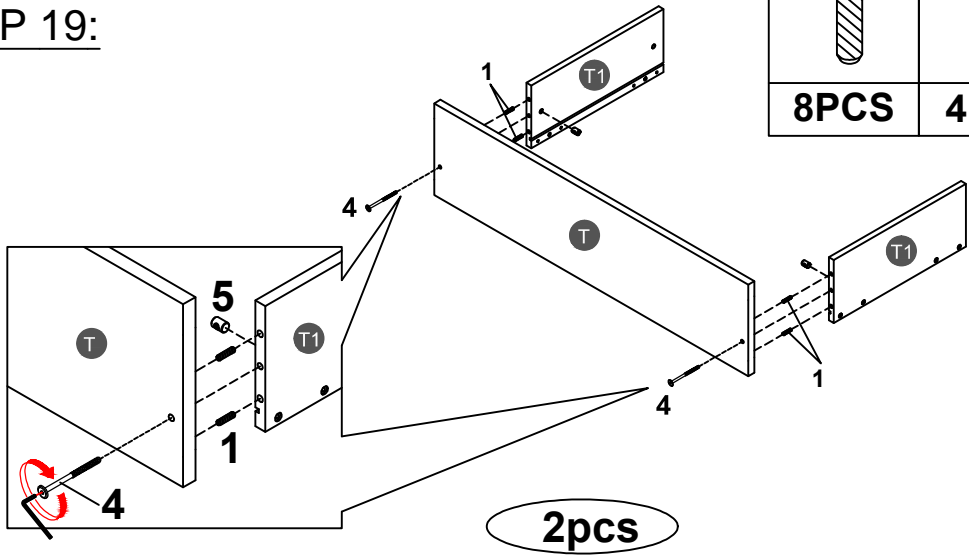
7



12PCS

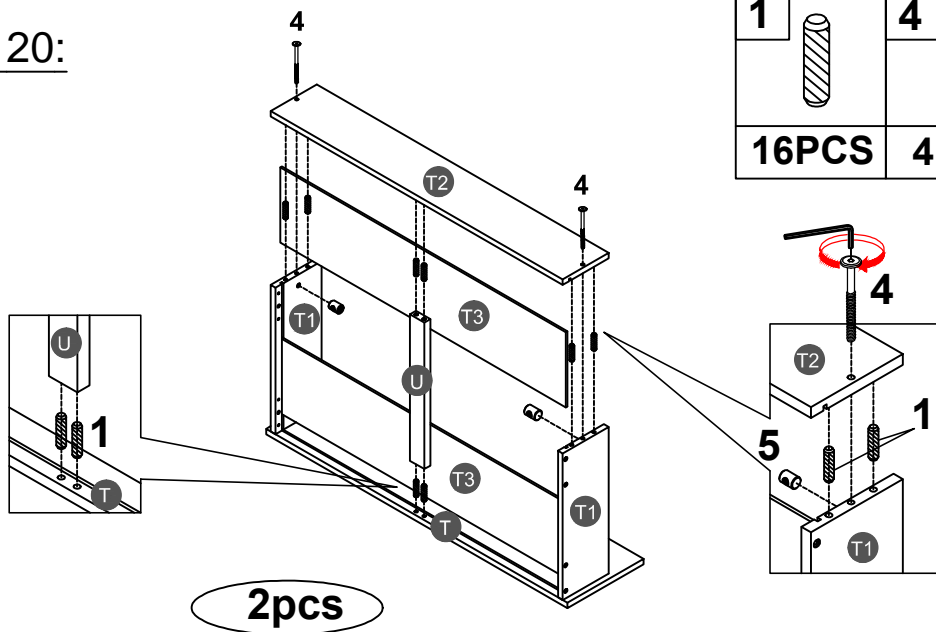
Note: Do not lock the screws of the bed slats to the outermost edge of the bed slats, you need to leave a certain space at the edges, otherwise it will cause the board to break. Do not lock the bed slats on the edge of the wood, please hold firmly before screwing, hold it in place with one hand, then lock the screw.

**STEP 19:**



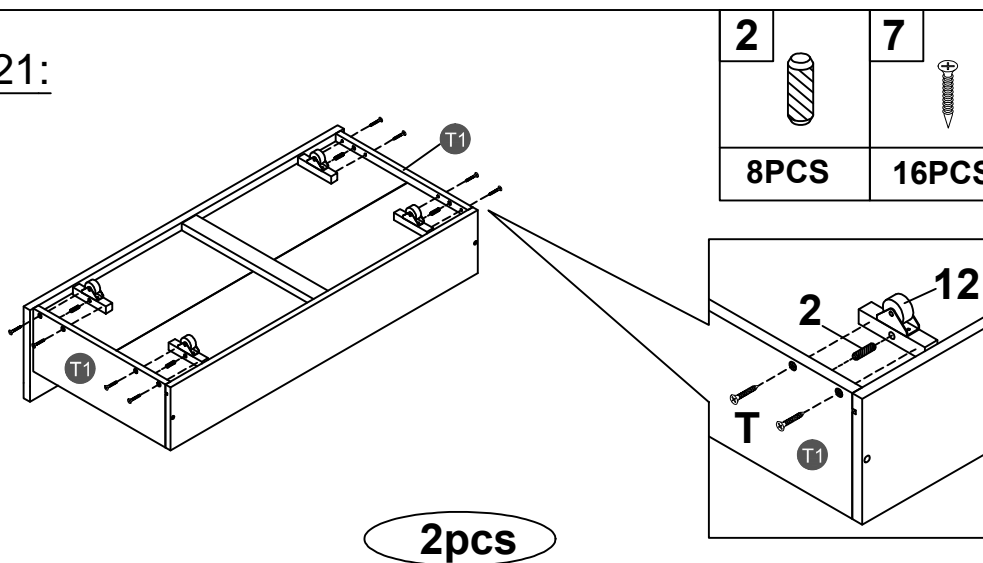
1		4		5	
8PCS		4PCS		4PCS	

**STEP 20:**



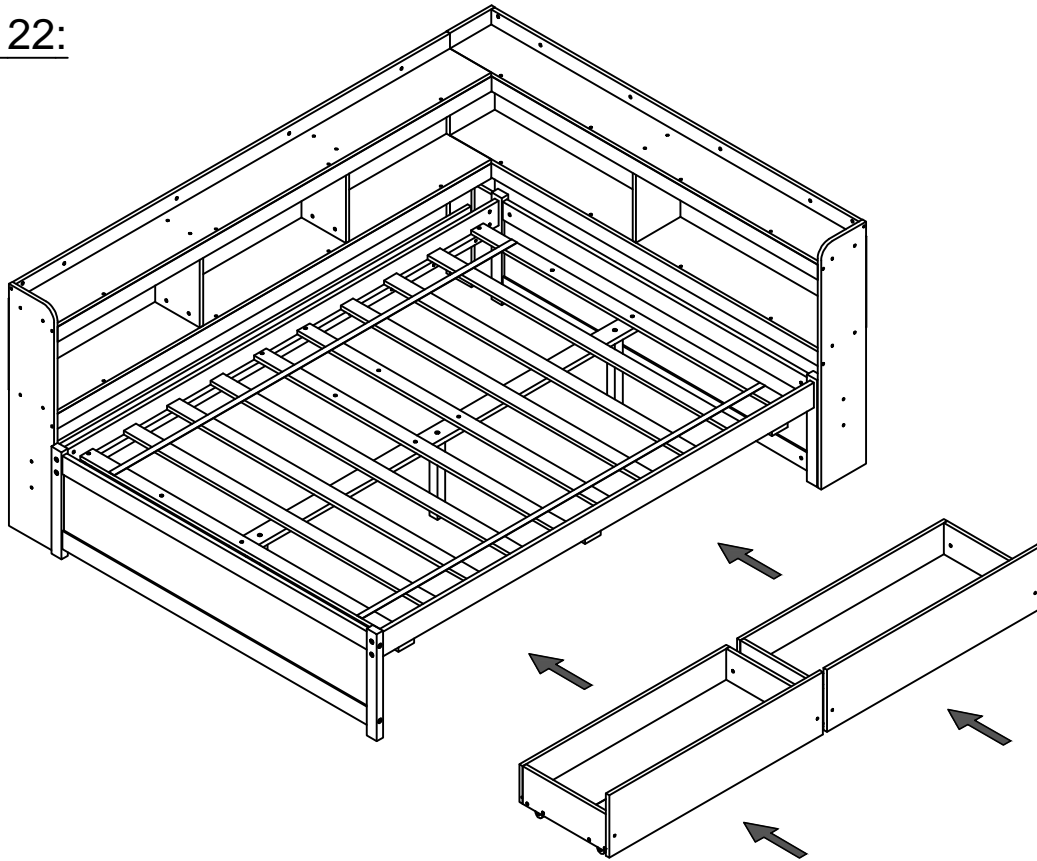
1		4		5	
16PCS		4PCS		4PCS	

**STEP 21:**



2		7		12	
8PCS		16PCS		8PCS	

**STEP 22:**



Push Drawer under the bottom of Bunk Bed.

