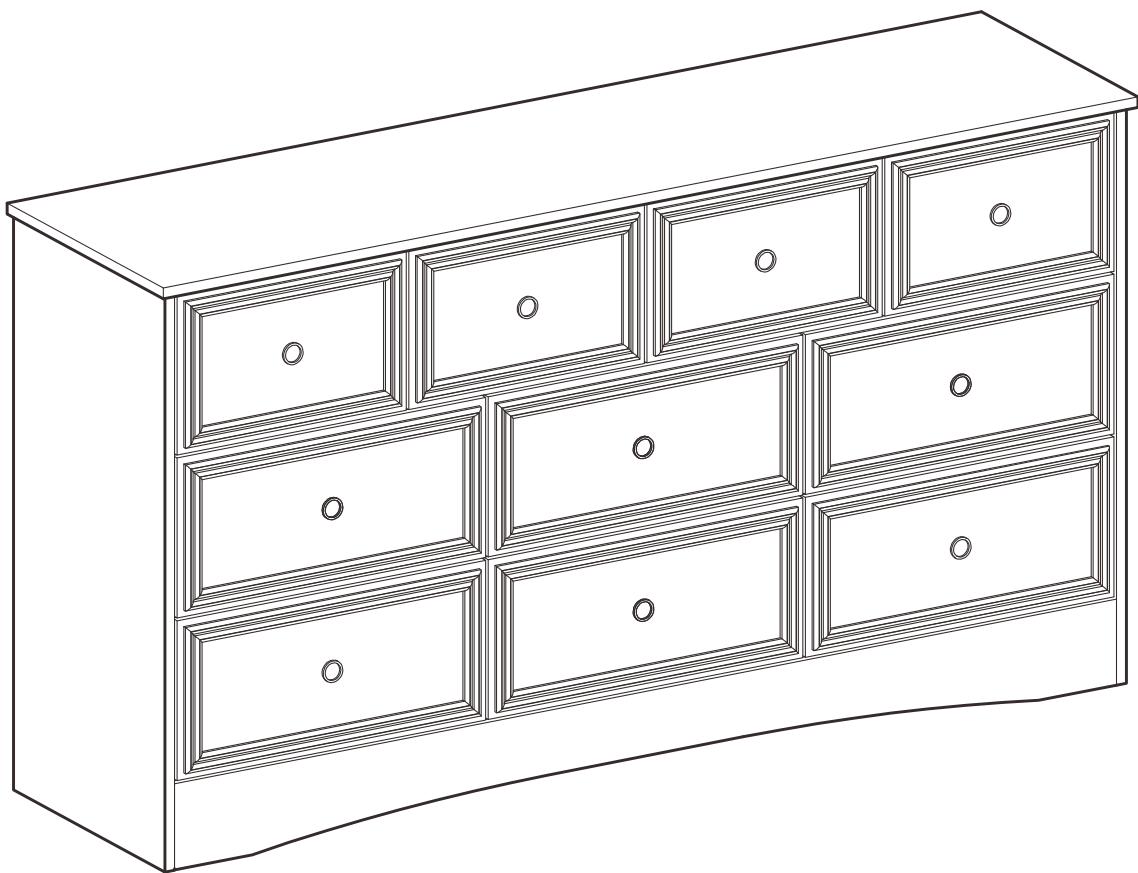


# 10 DRAWERS DRESSER CUSTOMER MANUAL



**⚠ WARNING**



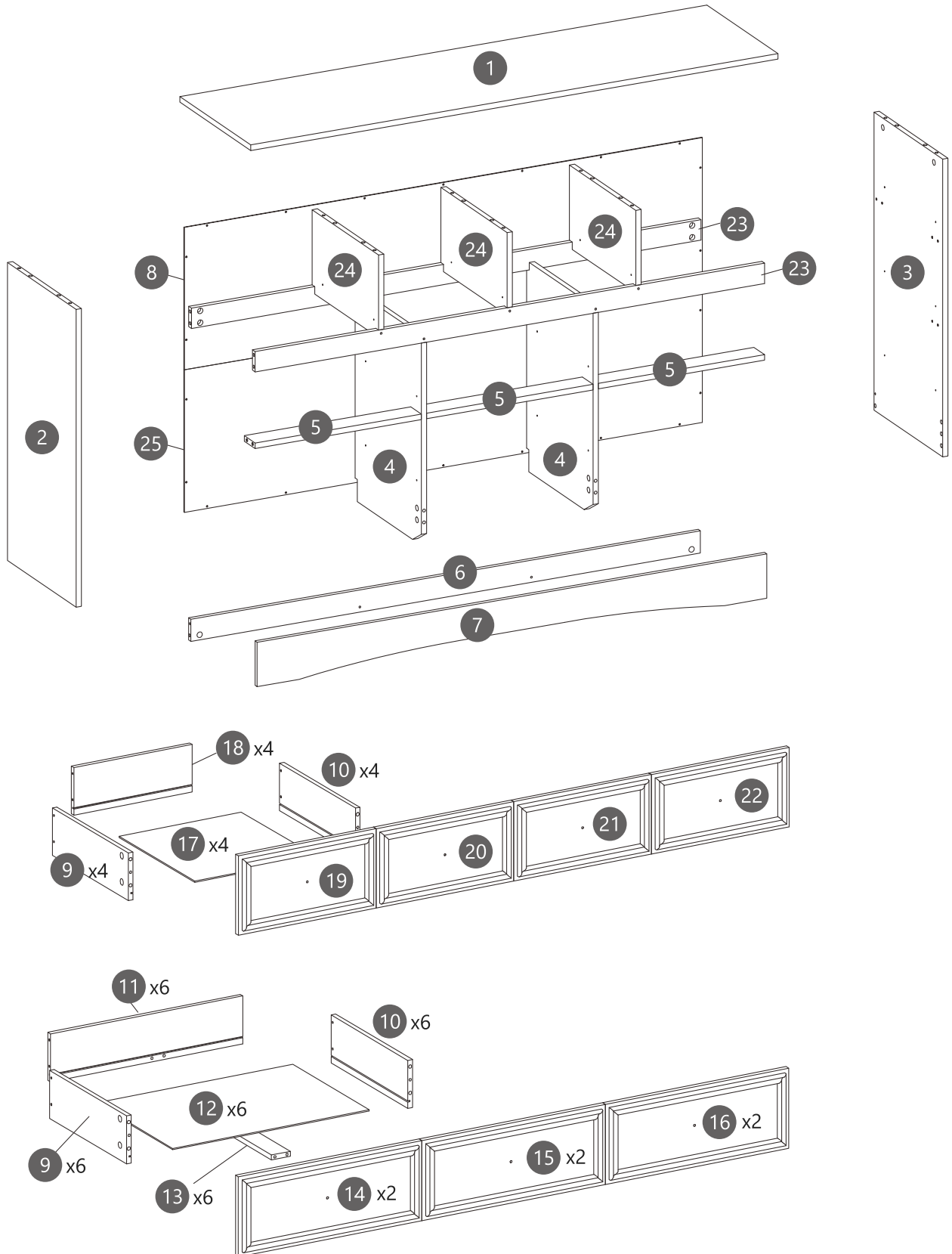
**Children have died from furniture tipover.  
To reduce the risk of furniture tipover:**

- ALWAYS install tipover restraint provided.
- NEVER put a TV on this product.
- NEVER allow children to stand, climb or hang on drawers, doors, or shelves.
- NEVER open more than one drawer at a time.
- Place heaviest items in the lowest drawers.



*This is a permanent label.  
Do not remove!*

# ASSEMBLY STRUCTURE REFERENCE DIAGRAM



# PARTS

A



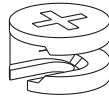
X 92+5

B



Ø8x30mm  
X 14+2

C



X 92+5

D



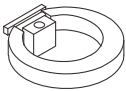
X 12+2

E



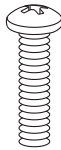
Ø6x30mm  
X 20+2

F



X 10+1

G



X 10+1

H



X 120+5

I



X 28+2

M



X 52+4

J

CL X 10



DL X 10



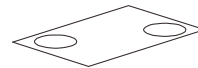
CR X 10



DR X 10

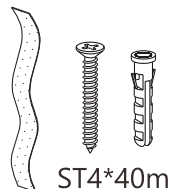


K



X 40+3

L

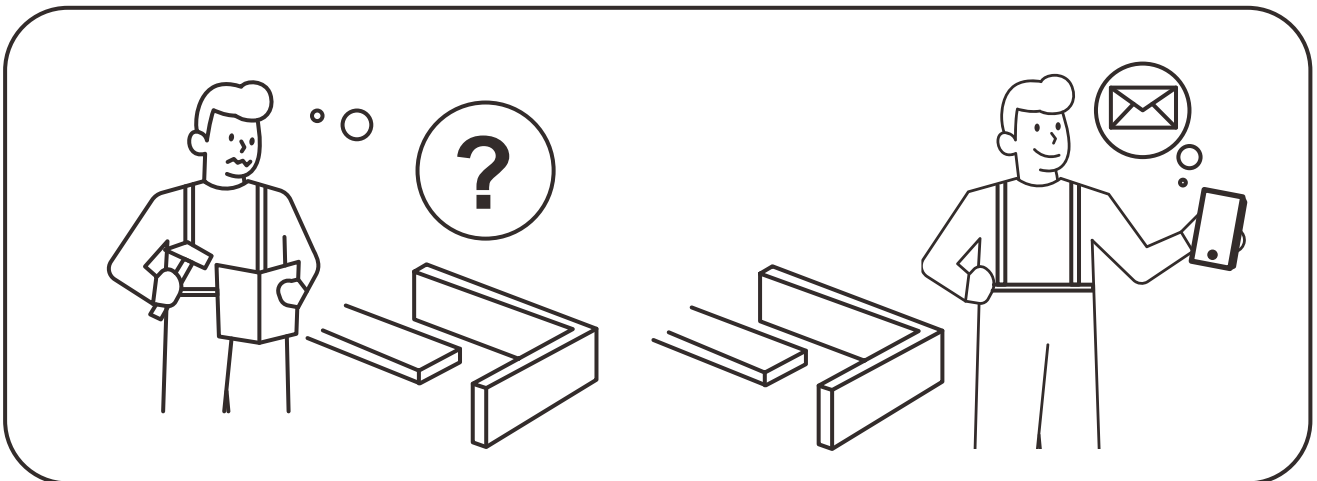
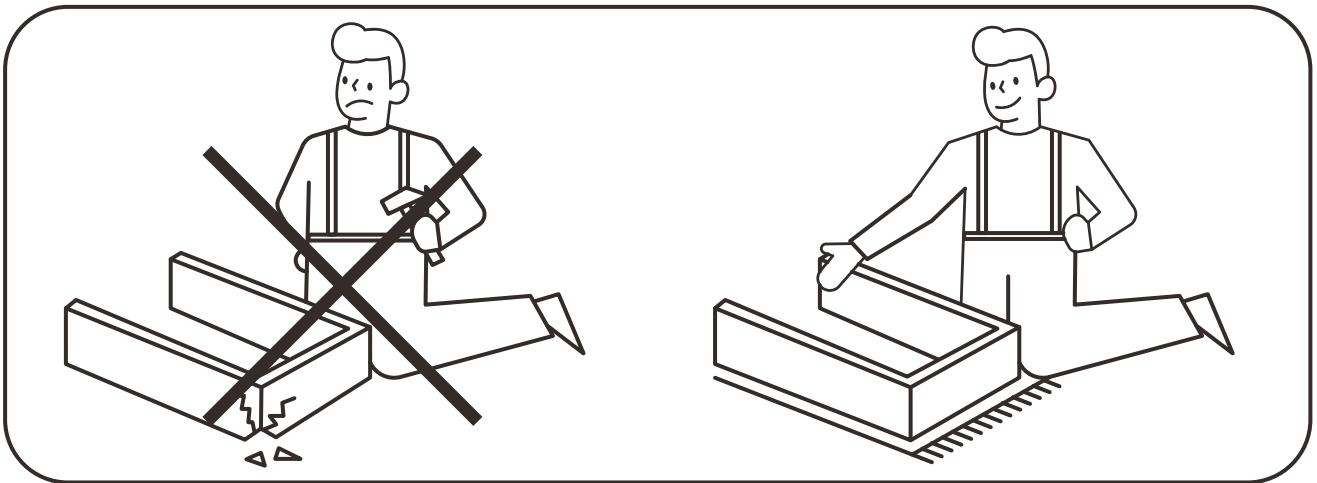
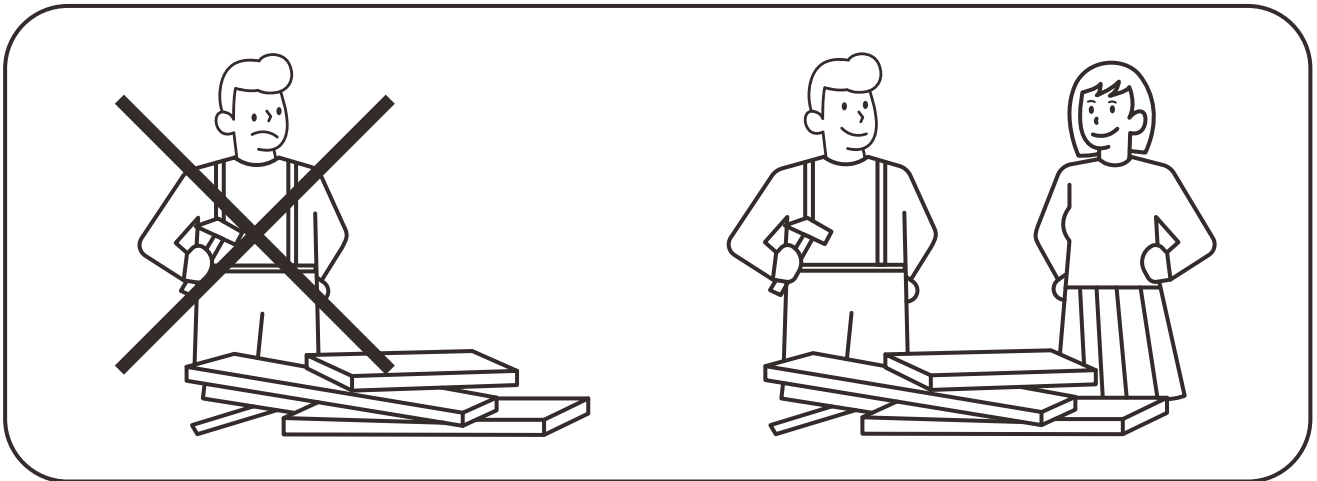
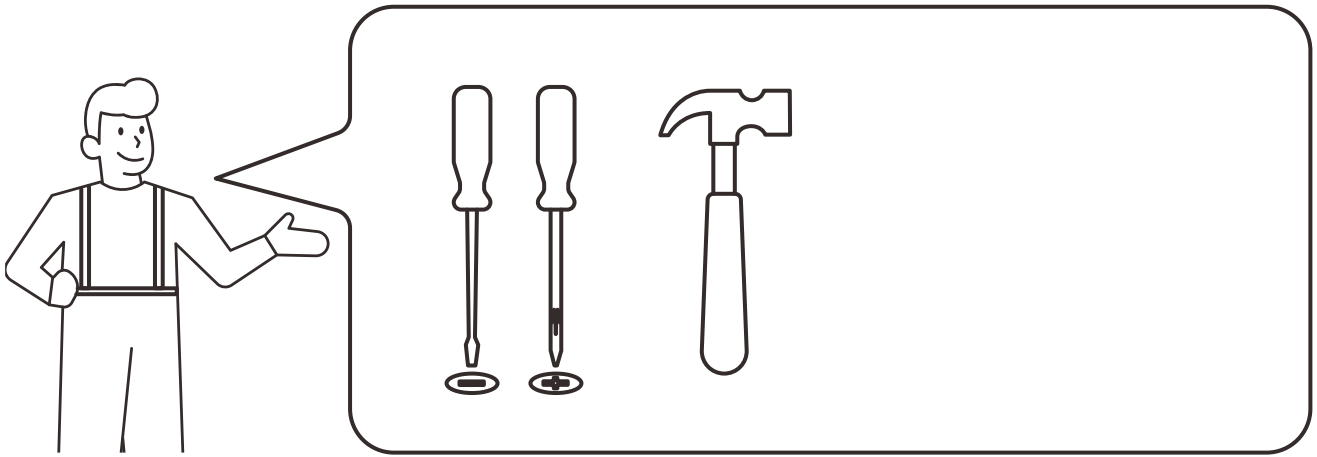


ST4\*40mm

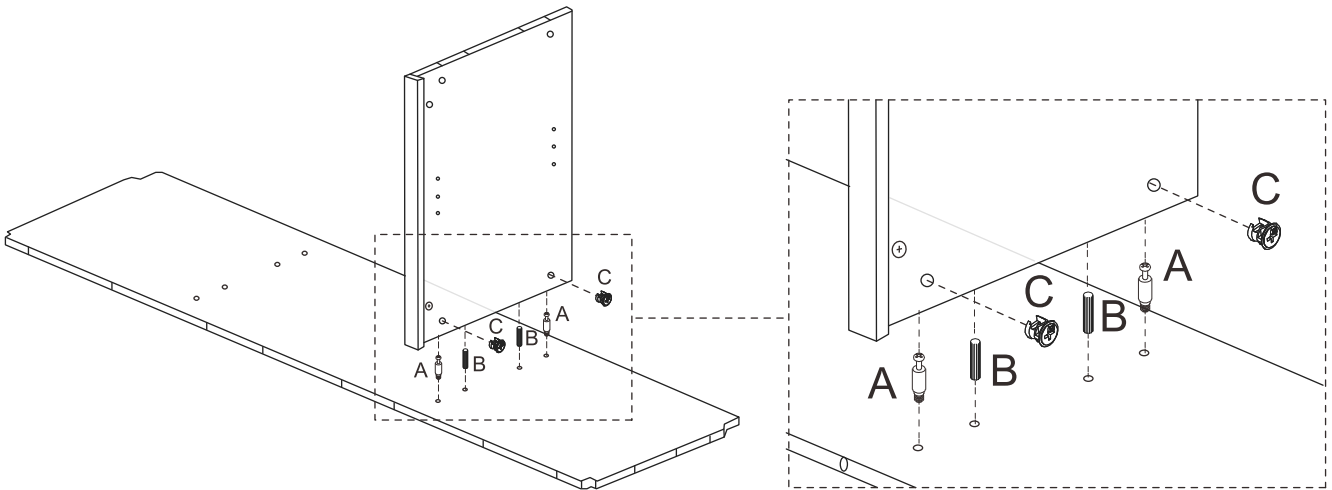
X 2

Attention: there are 4 kinds of slides in our product, in which 2 are **Boards slides**, which marked as **CL & CR** and contains 10 pieces respectively, and the other 2 are the **Drawer slides**, which marked as **DL & DR** and contains 10 pieces respectively.

The hardware quantities listed above are required for proper assembly. Some extra hardware may also have been included.

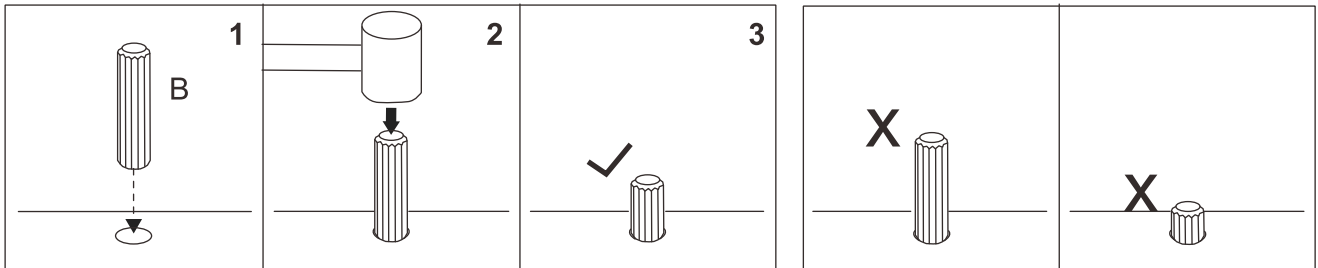


## How to work the Knock Down (kd) assembly system

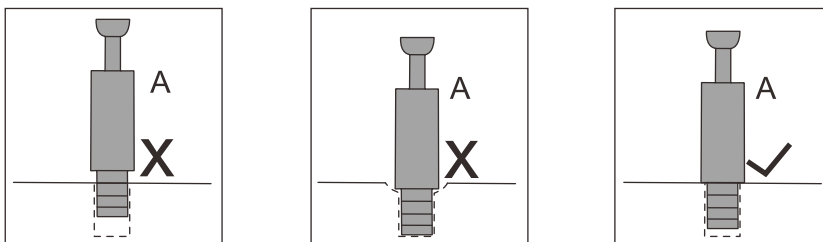


## How to install Wood Dowel

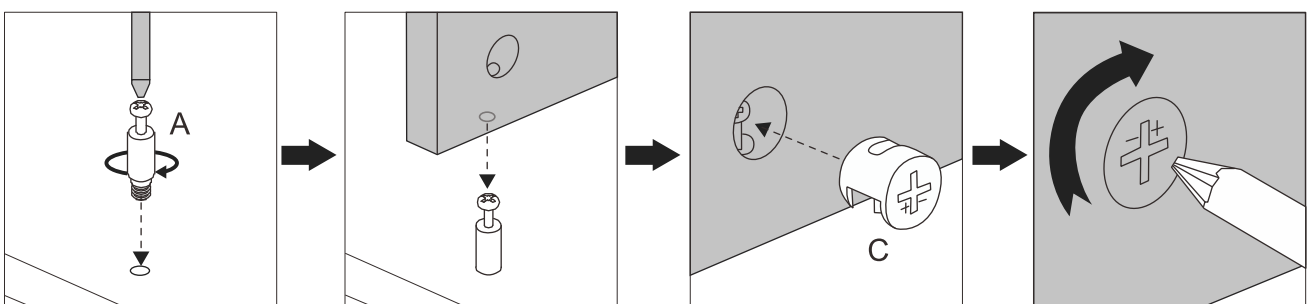
Insert the wood dowel [B] at least half way by tapping lightly with a rubber mallet, IF NECESSARY.



## How to use the Cam Lock system



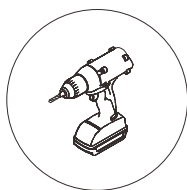
1. Screw the cam bolt [A] into the threaded insert on the panel.
2. Connect both panels together making sure cam bolt [A] goes into the pre-drilled large hole on the end of panel for cam lock [C].
3. Insert the cam lock [C] into the pre-drilled large hole on the panel. **Make sure the cross slot of cam lock [C] faces out.**
4. Rotate the cam lock [C] **clockwise** with a self-supplied philips screwdriver to lock the cam bolt [A] in place.



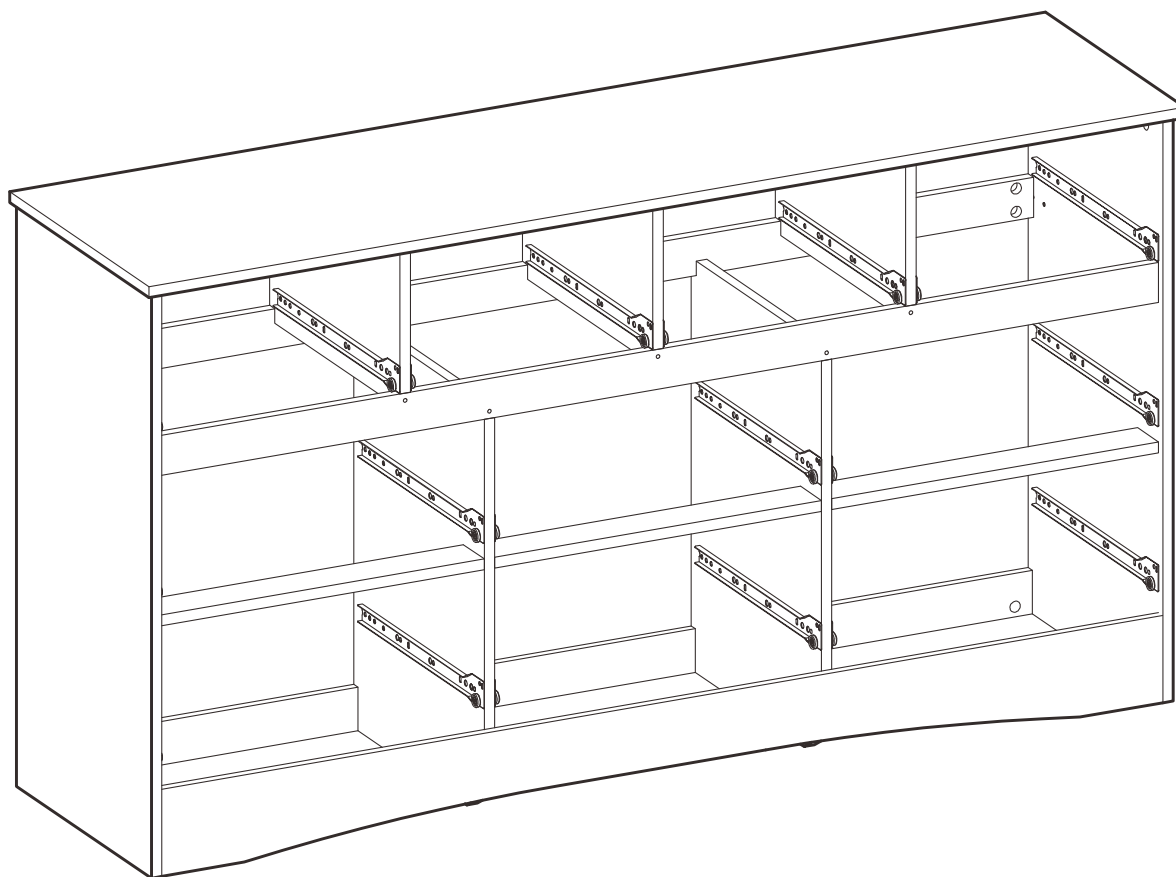
Before installing the product, observe the general structure.

It is divided into 5 parts in total:

1. Install the Boards and Slides( ②&③&④& ②④)
2. Install the Top Panel (①) & Frame Part (⑤&⑥&⑦& ②③)
3. Install the Back Panel (⑧& ②⑤)
4. Install the Drawers
5. Install the Drawers Slides



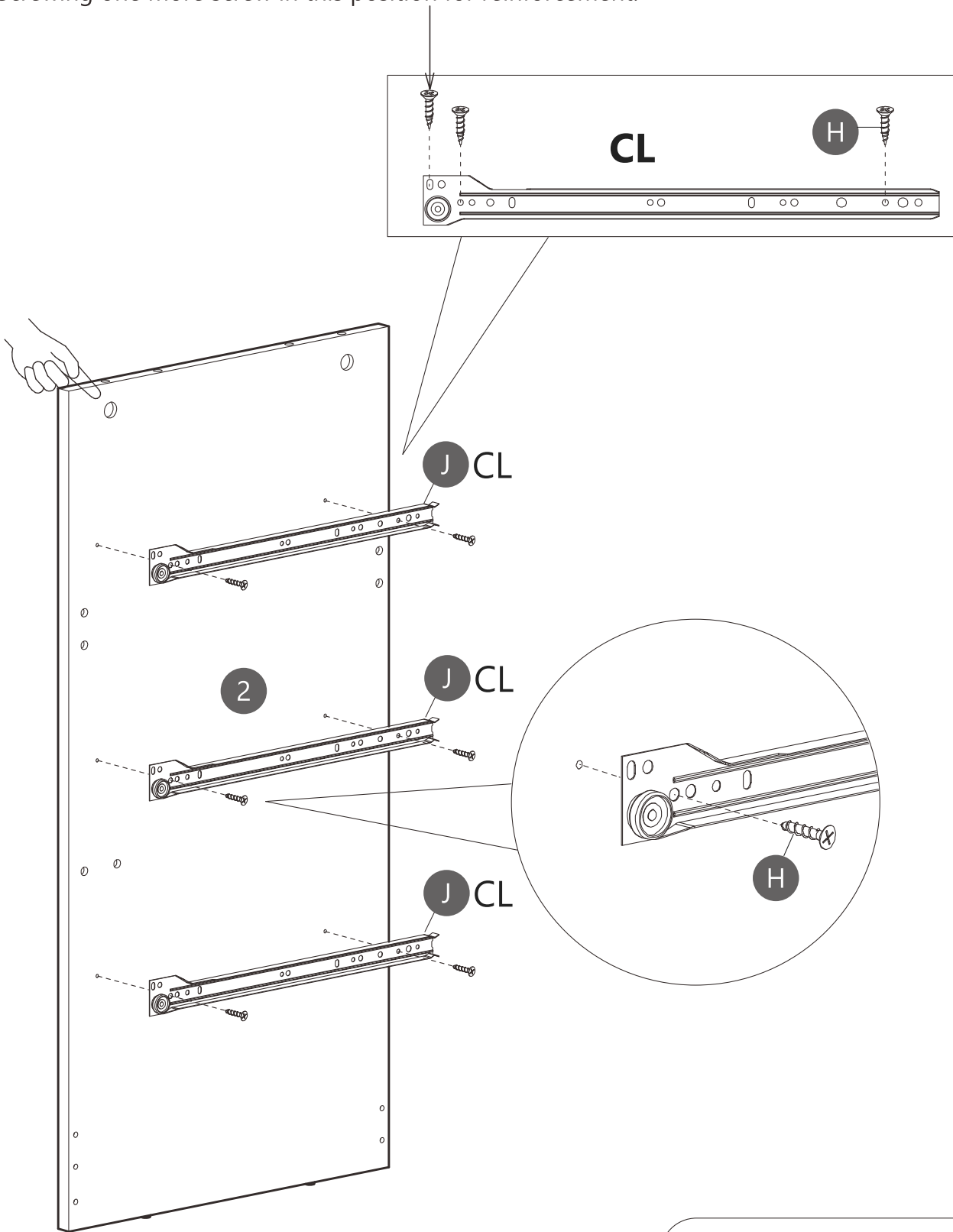
We recommend using a power drill to assemble.



# Step 1

Using Screws (H) to assemble Slide (CL) to Board (2).

Screwing one more screw in this position for reinforcement.

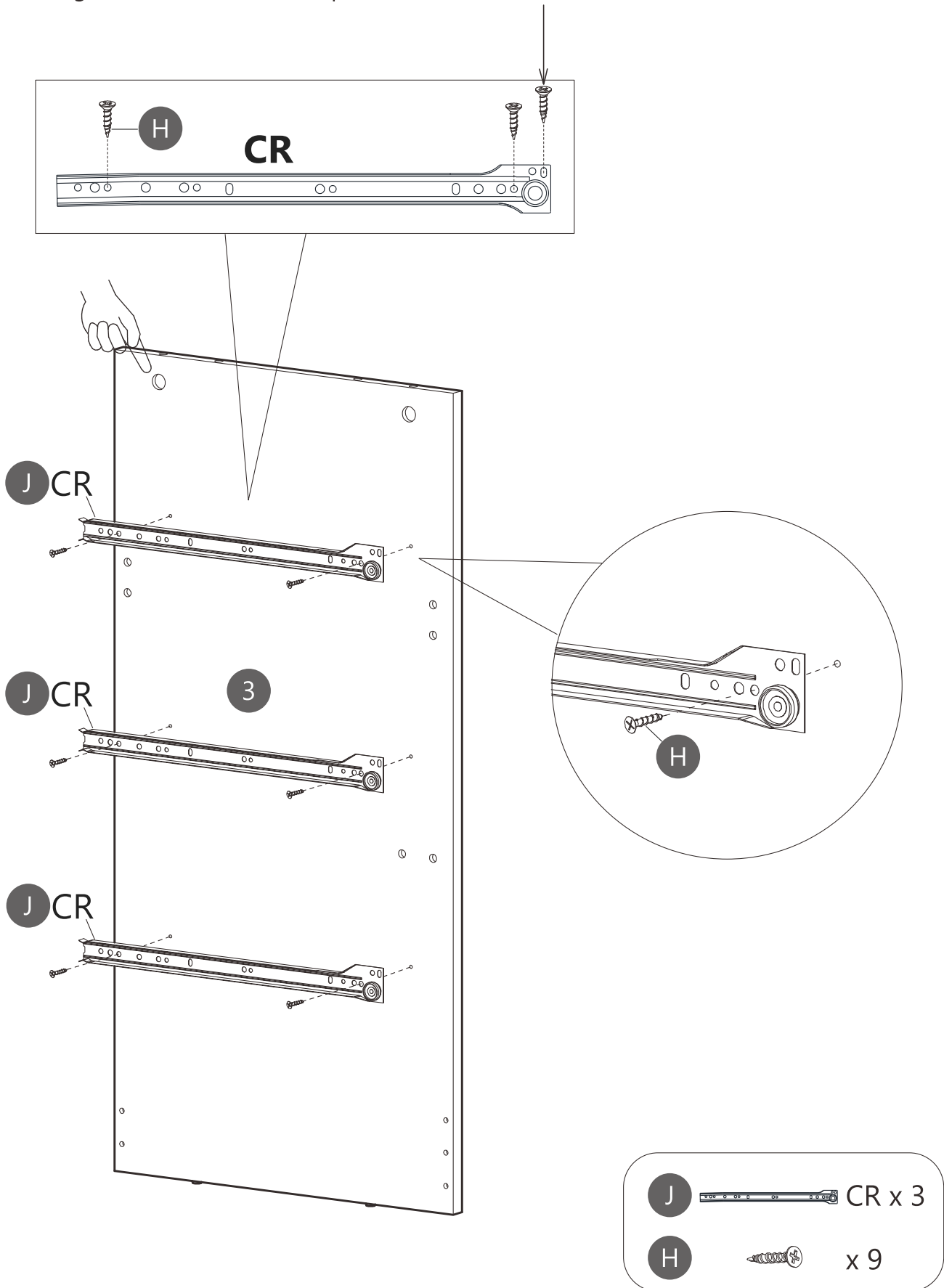


- J** CL x 3
- H** x 9

# Step 2

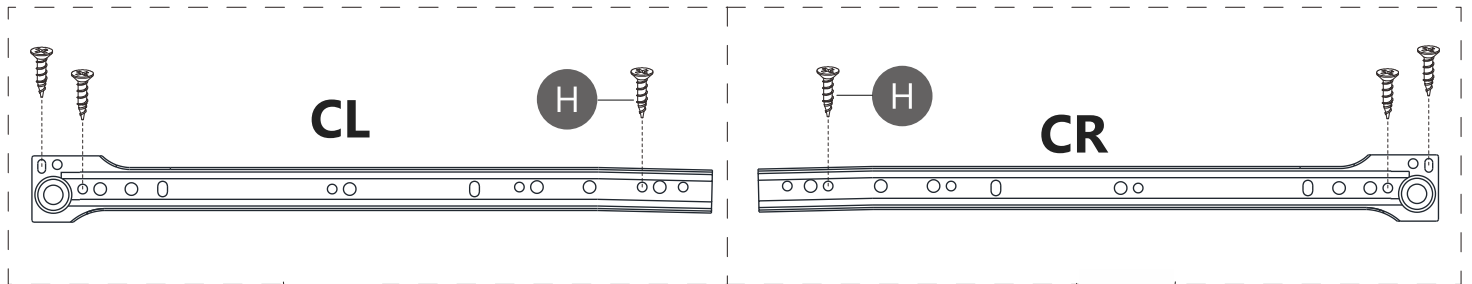
Using Screws (H) to assemble Slide (CR) to Board (3).

Screwing one more screw in this position for reinforcement.

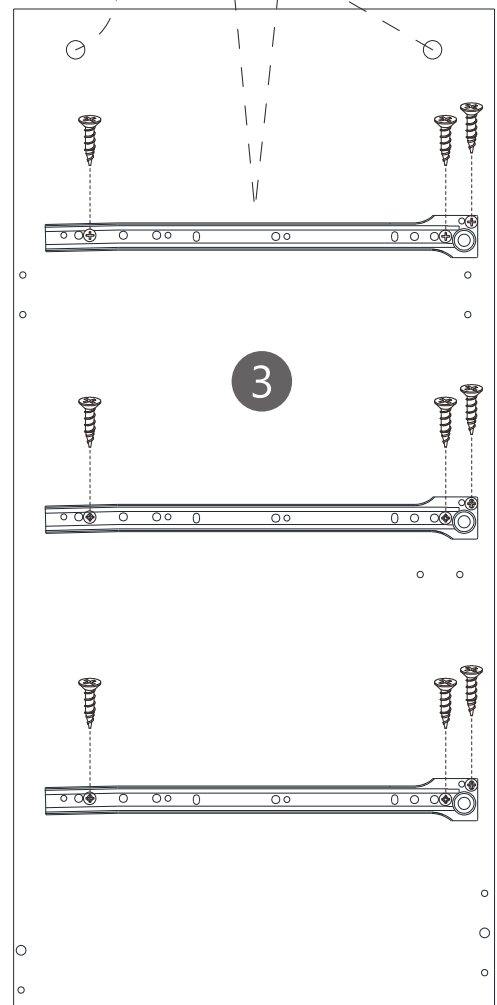
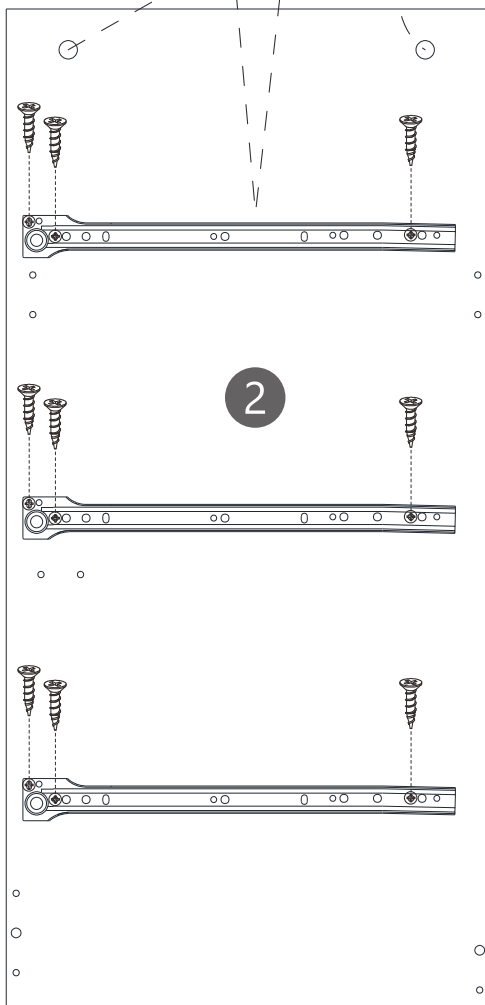


# Display. Non-installation steps

Reference to the completion of the installation:  
checking the position of the slides and screws in the board.



Please make sure the pre-drilled holes are on the top.

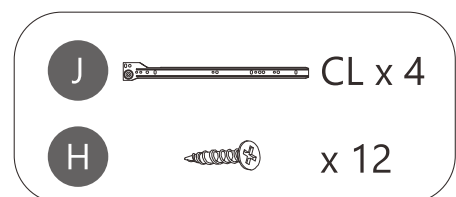
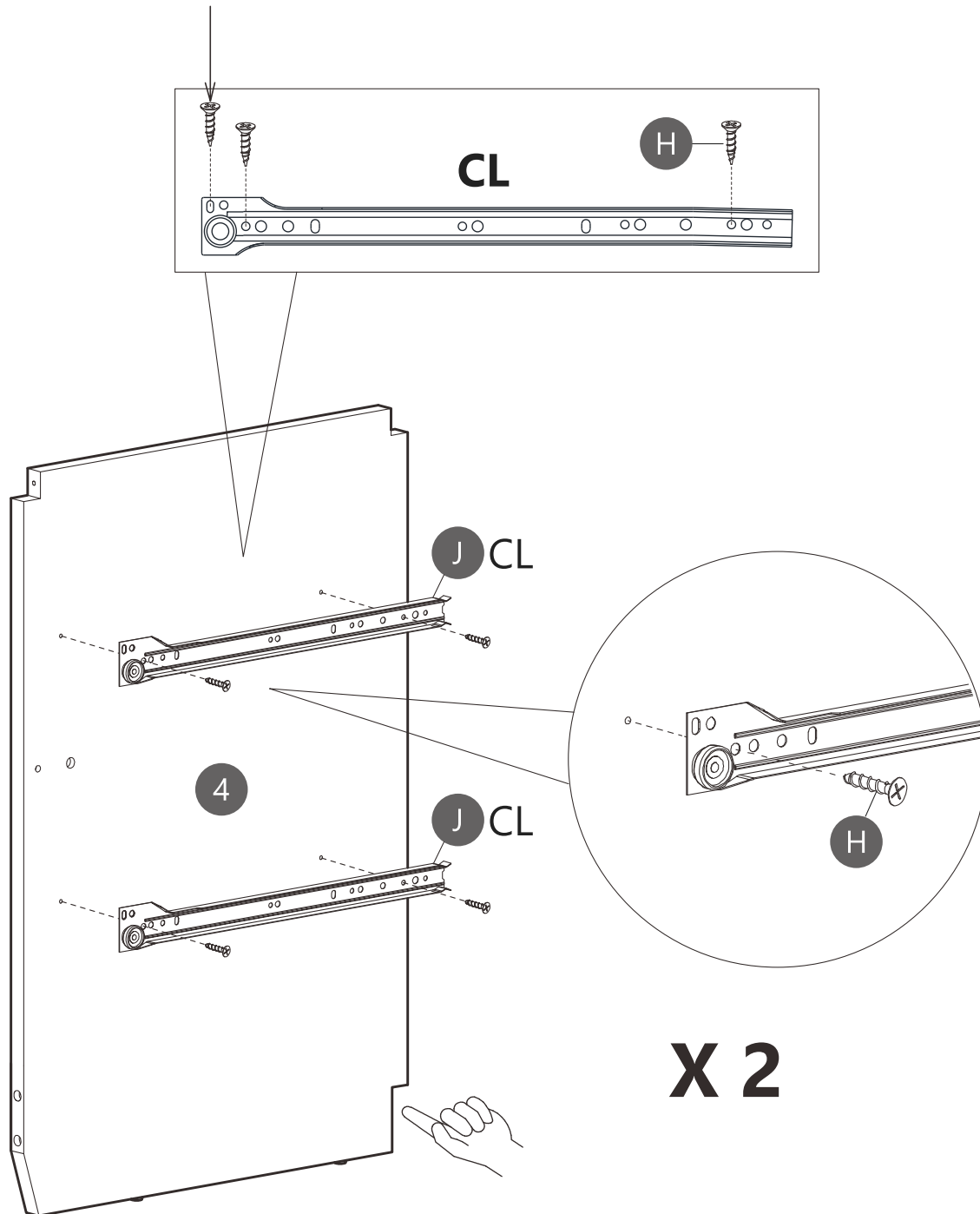


**TIP:** The screws for the slide must be tightened very tightly, and don't tilt the screws, otherwise the drawers will get stuck and won't fit in.

# Step 3

Using Screws (H) to assemble Slide (CL) to Board (④).

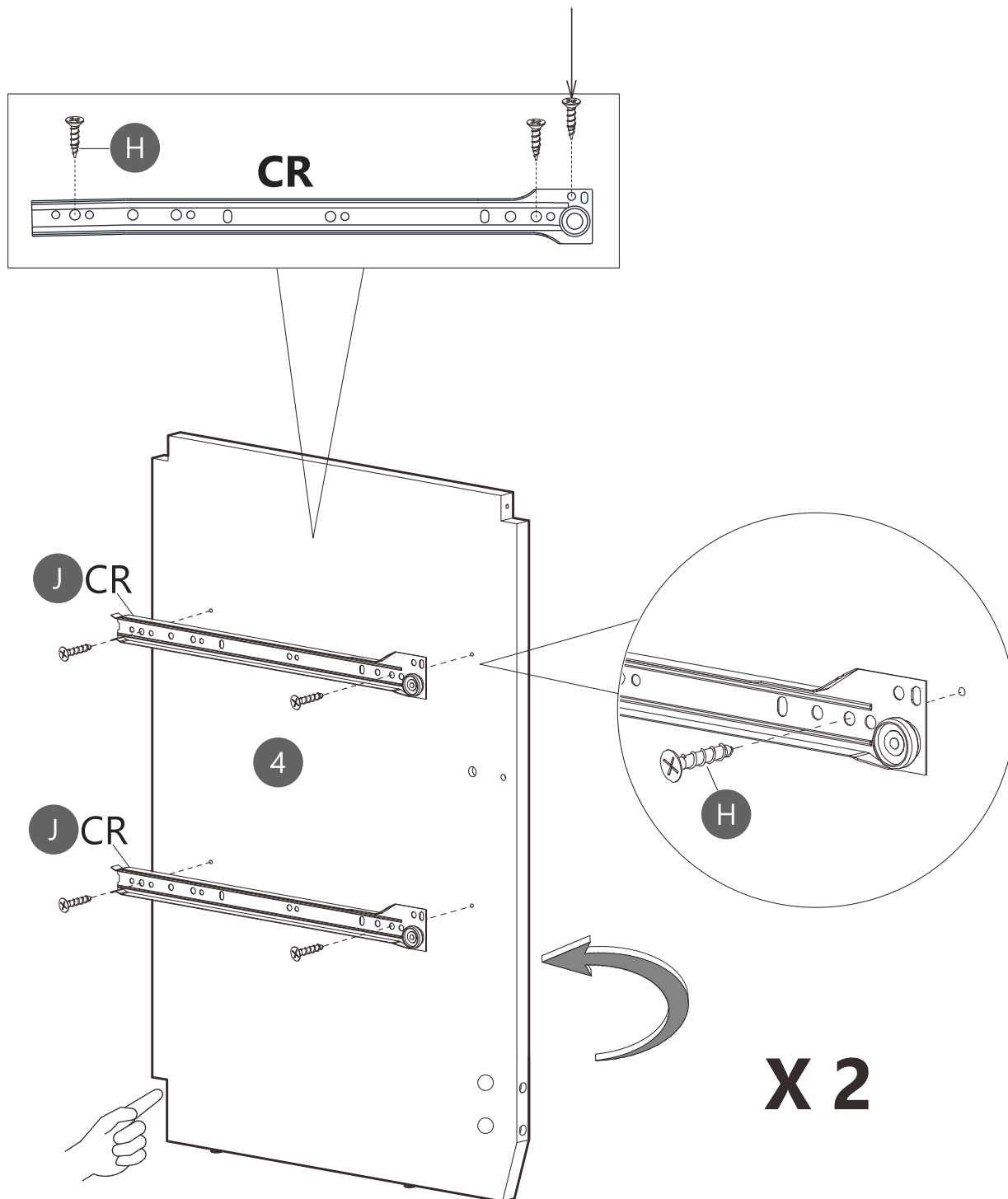
Screwing one more screw in this position for reinforcement.





# Step 4

Using Screws (H) to assemble Slide (CR) to Board (4).

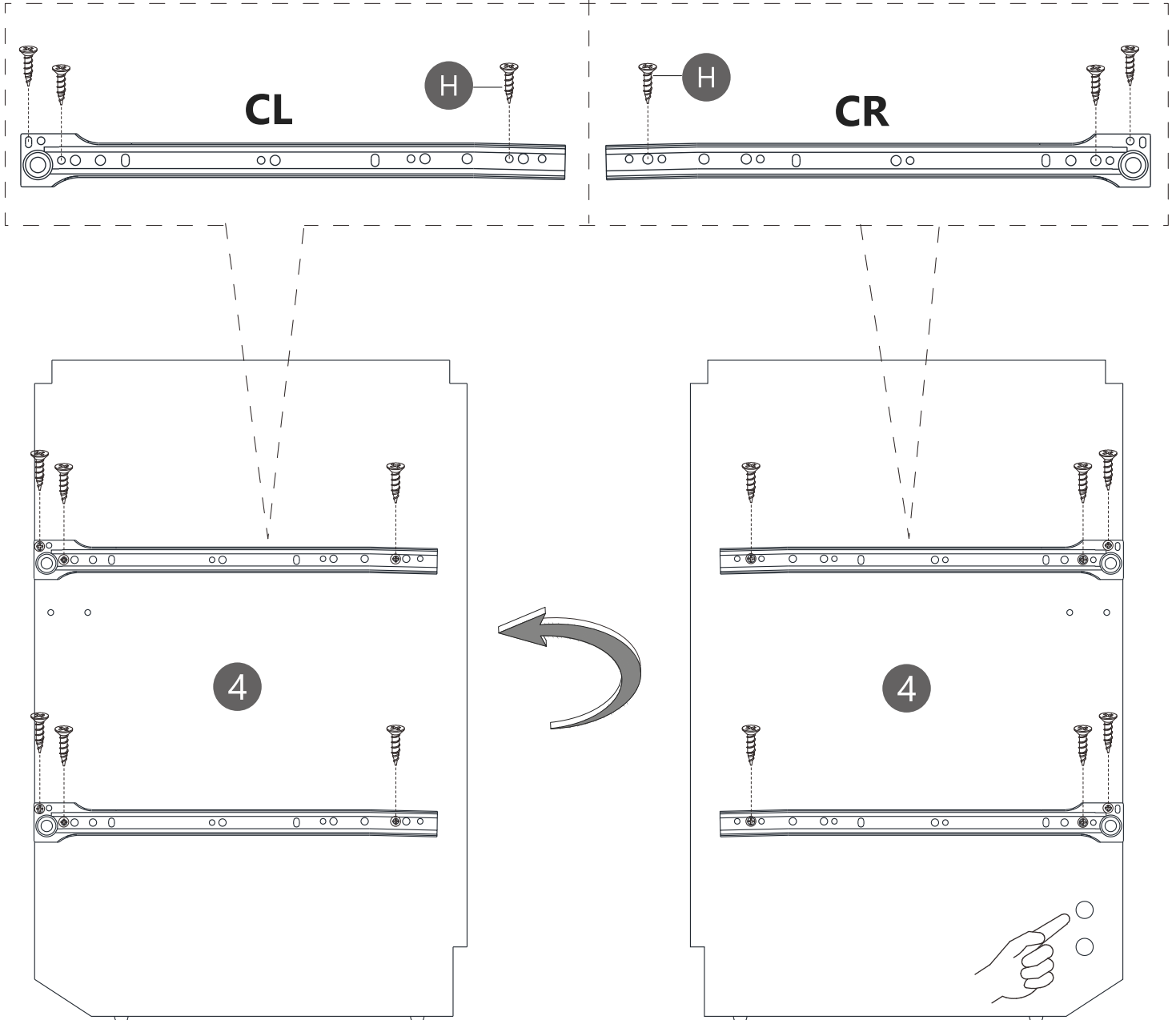
Screwing one more screw in this position for reinforcement.



- J  CR x 4
- H  x 12

# Display. Non-installation steps

Reference to the completion of the installation:  
checking the position of the slides and screws in the board.

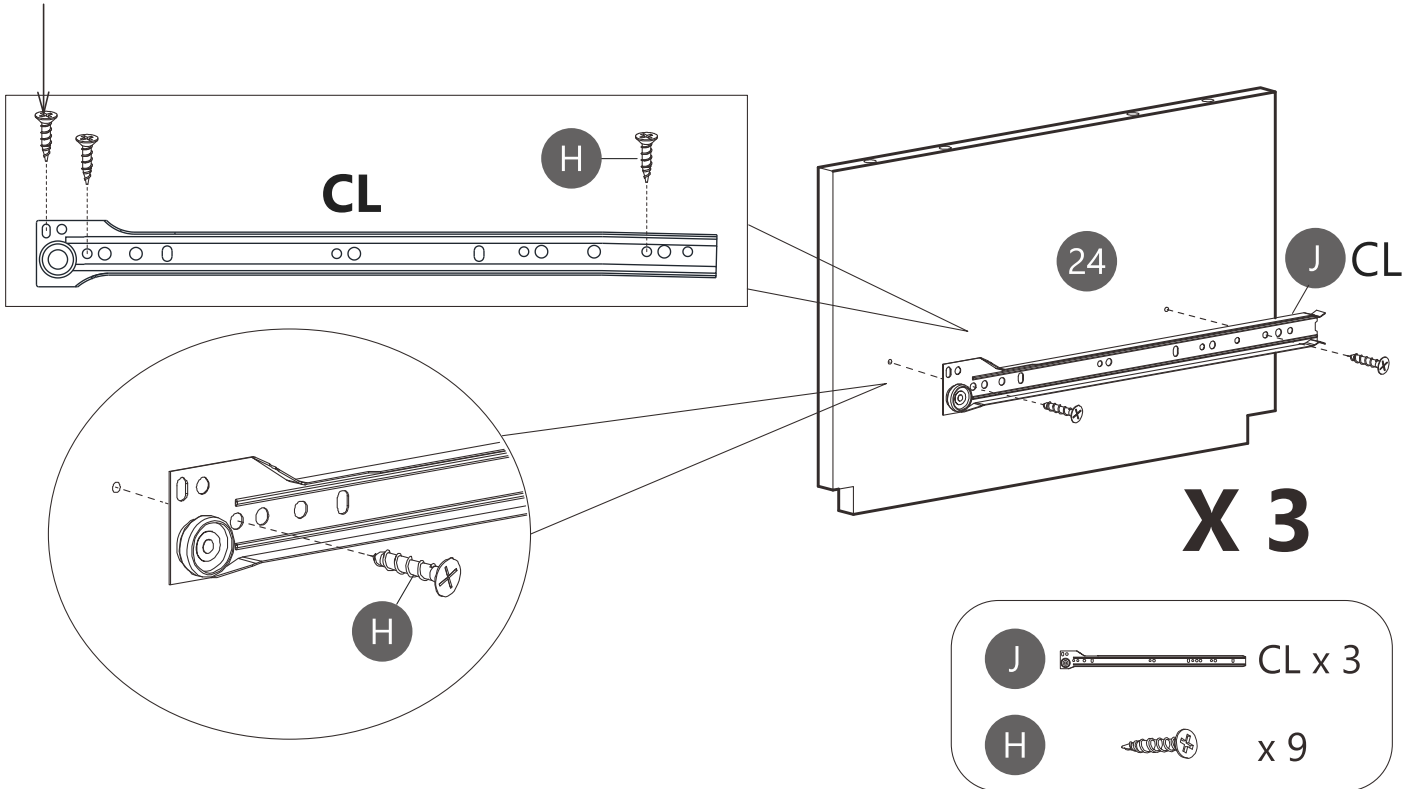


**TIP:** The screws for the slide must be tightened very tightly, and don't tilt the screws, otherwise the drawers will get stuck and won't fit in.

# Step 5

Using Screws (H) to assemble Slide (CL) to Board (24).

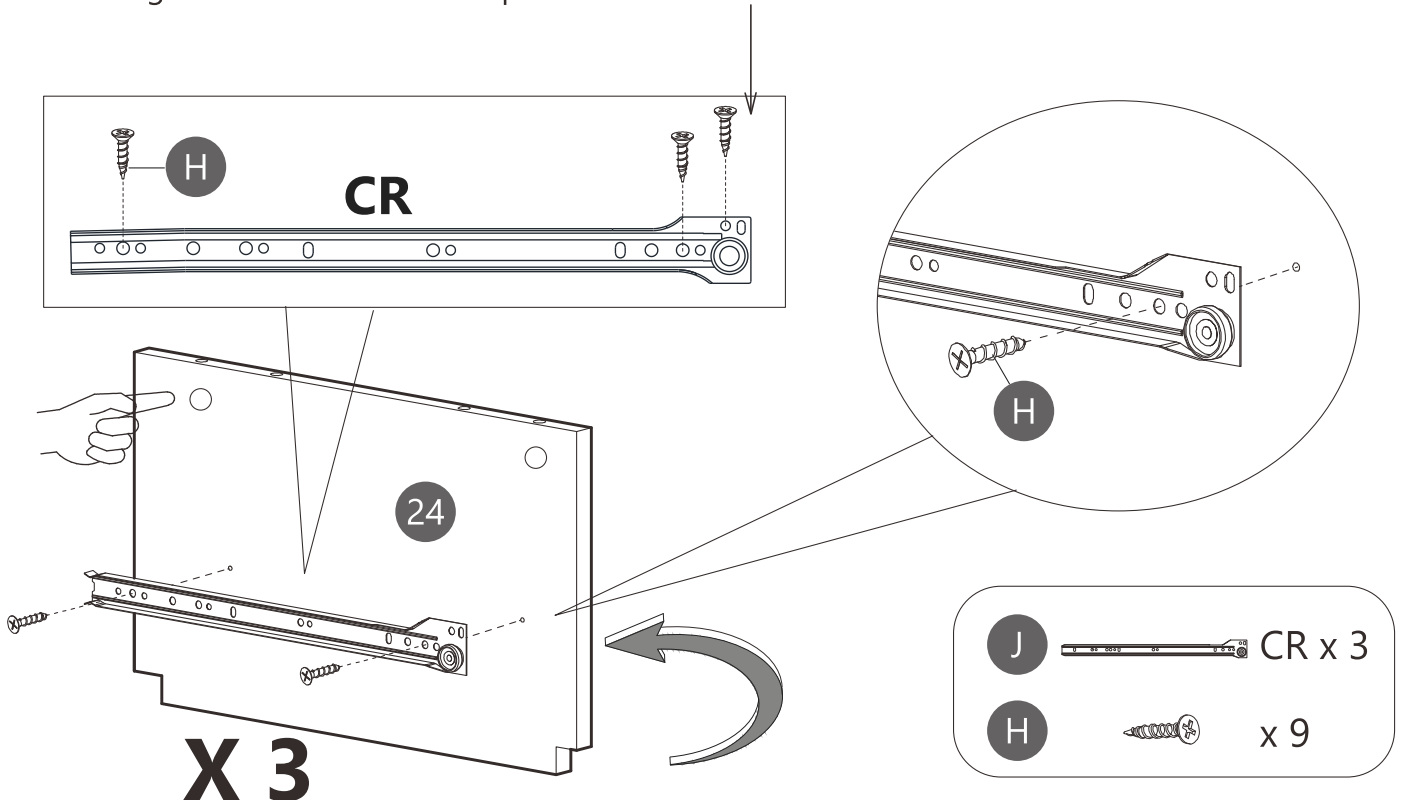
Screwing one more screw in this position for reinforcement.



# Step 6

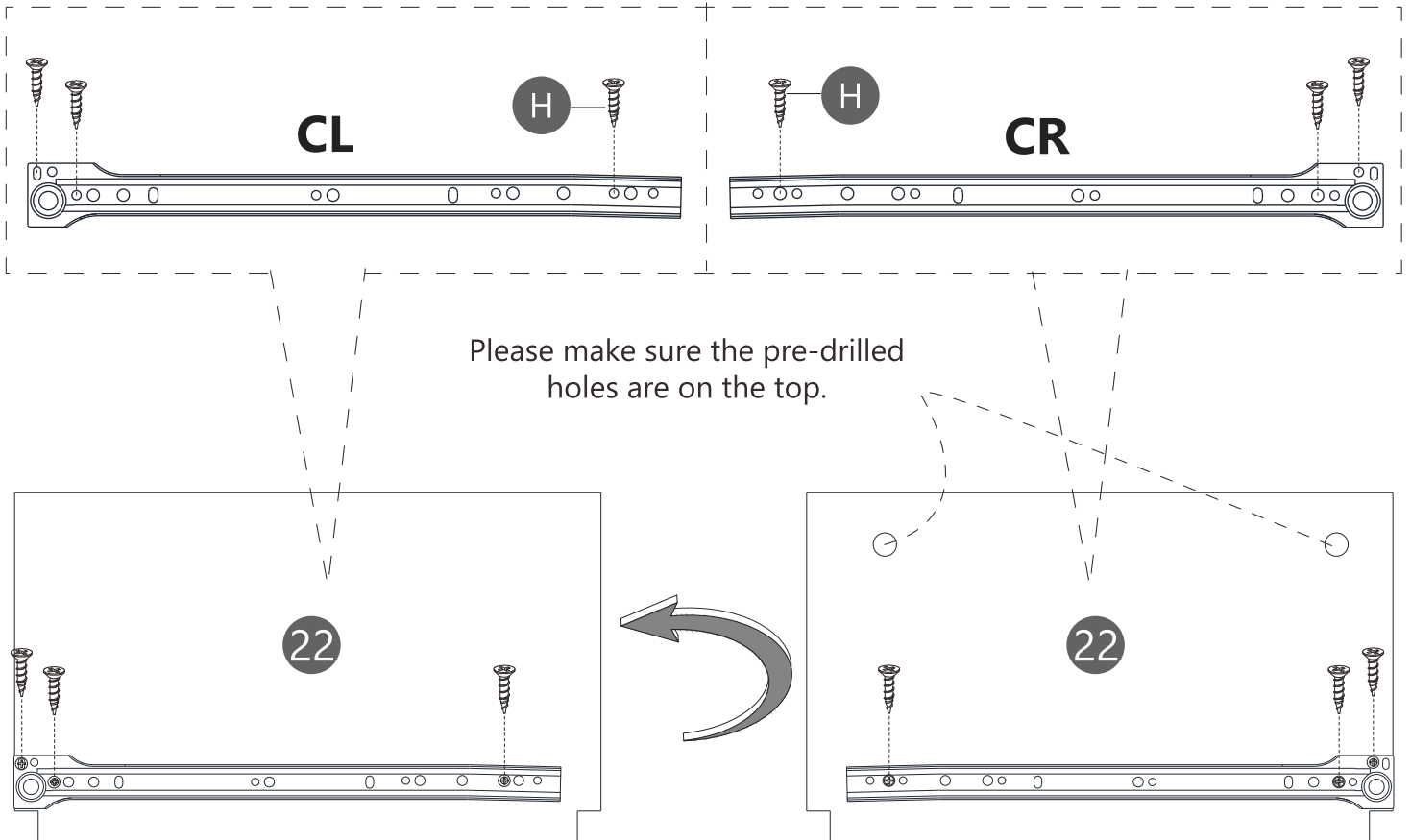
Using Screws (H) to assemble Slide (CR) to Board (24).

Screwing one more screw in this position for reinforcement.



# Display. Non-installation steps

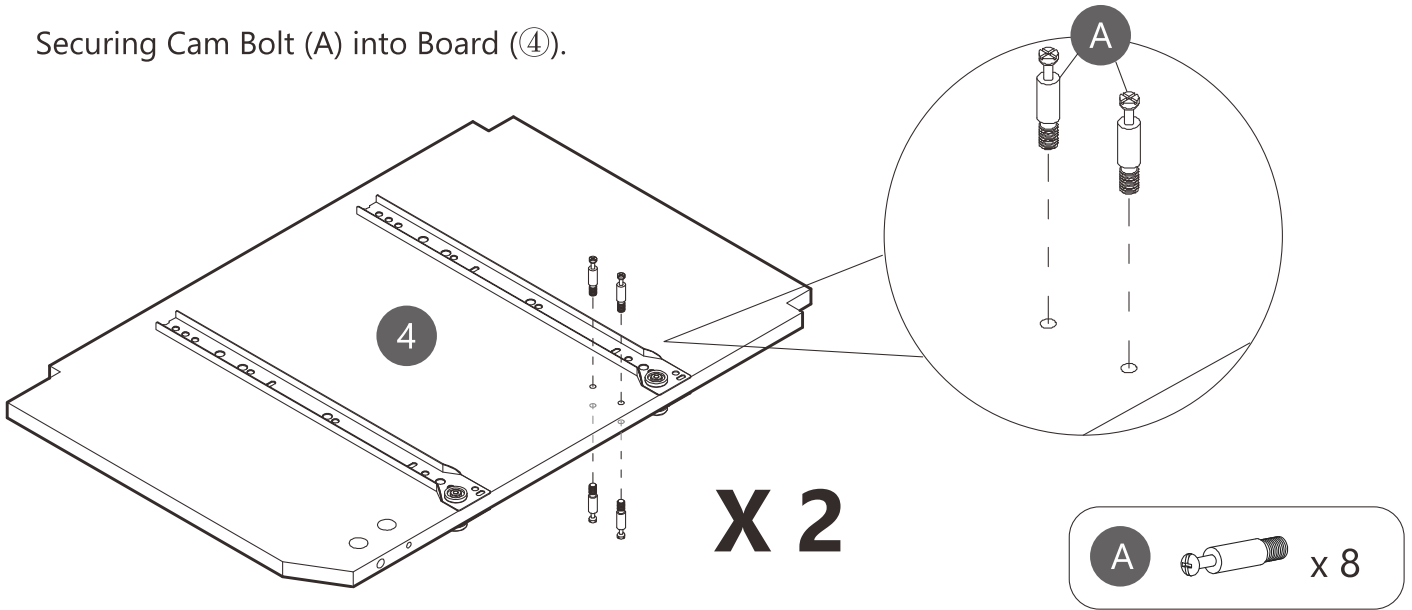
Reference to the completion of the installation:  
checking the position of the slides and screws in the board.



**TIP:** The screws for the slide must be tightened very tightly, and don't tilt the screws, otherwise the drawers will get stuck and won't fit in.

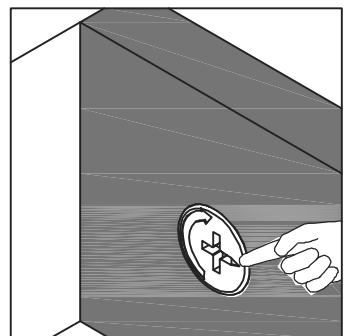
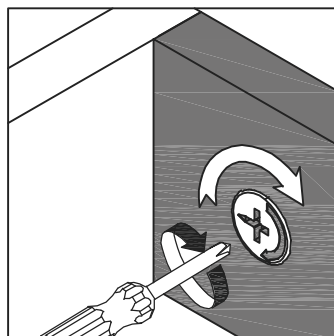
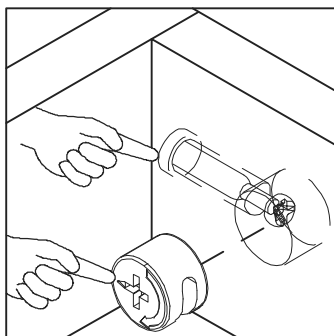
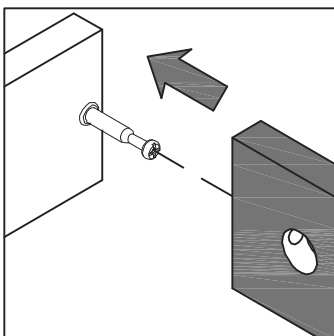
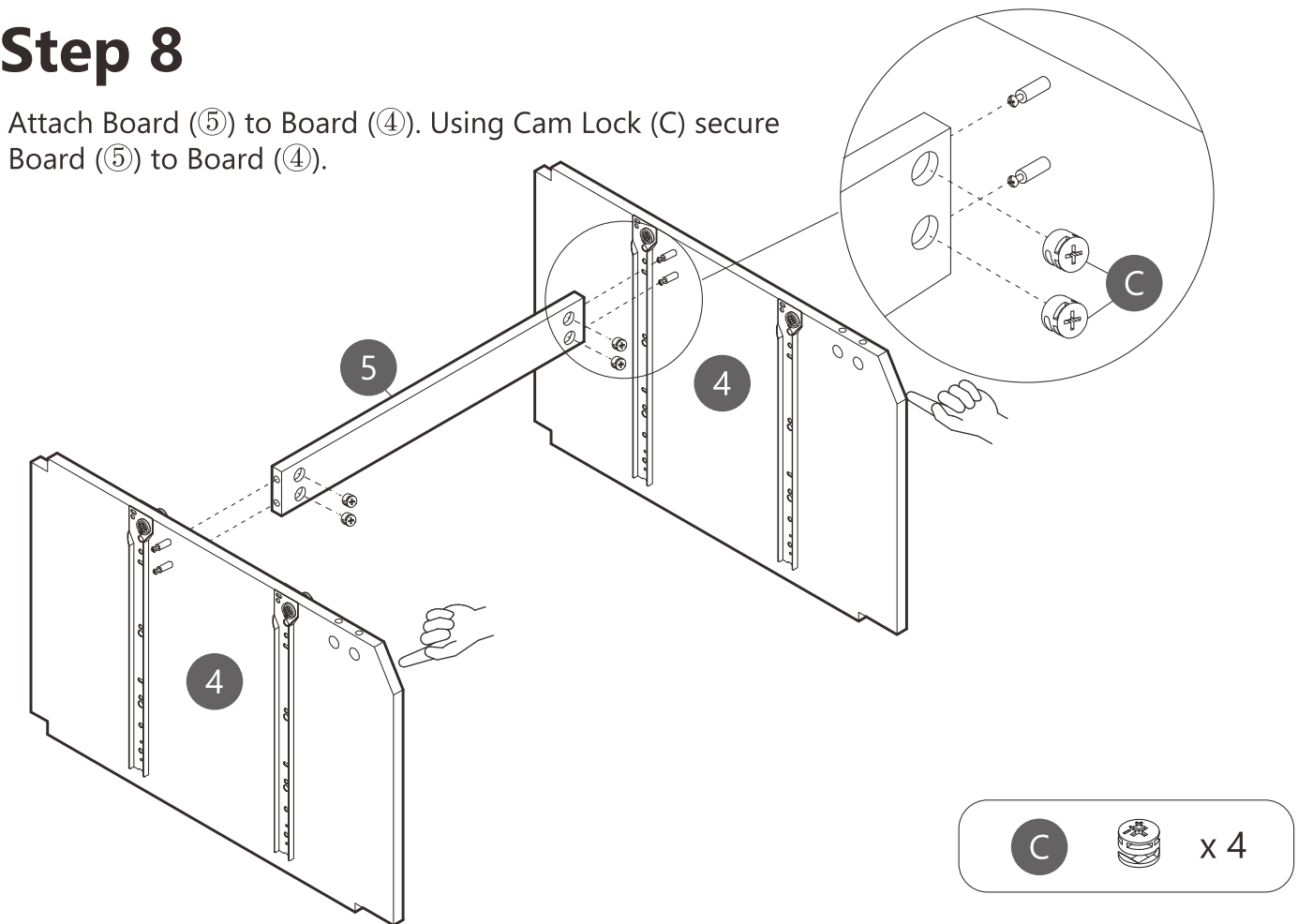
# Step 7

Securing Cam Bolt (A) into Board (④).



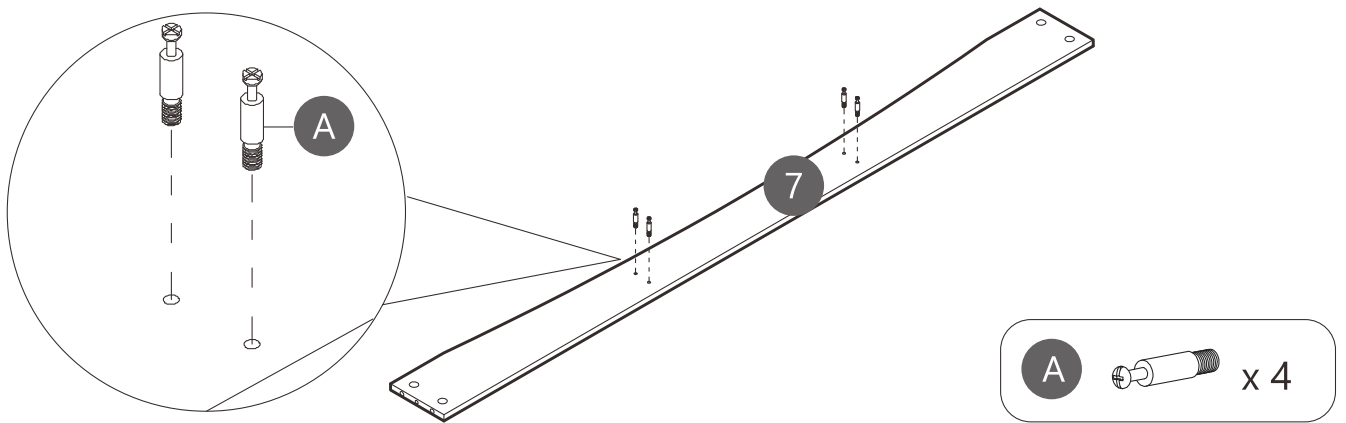
# Step 8

Attach Board (⑤) to Board (④). Using Cam Lock (C) secure Board (⑤) to Board (④).



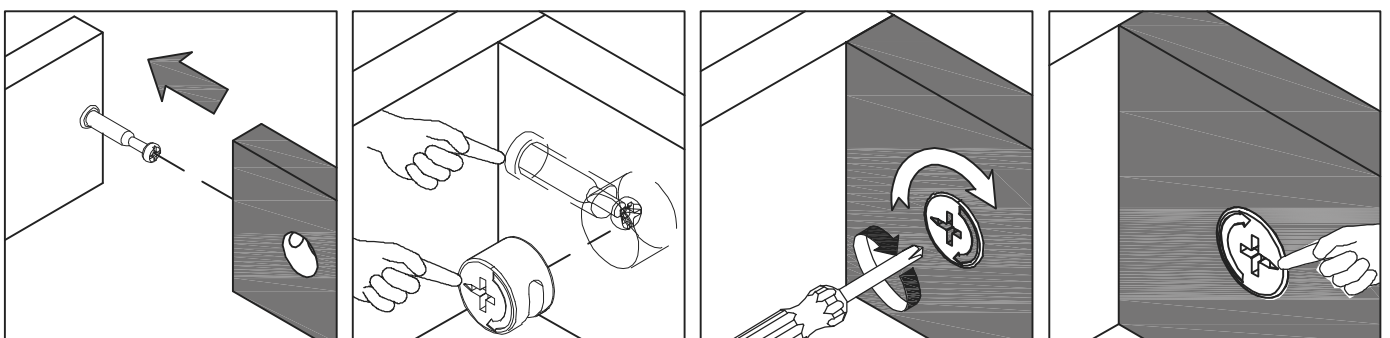
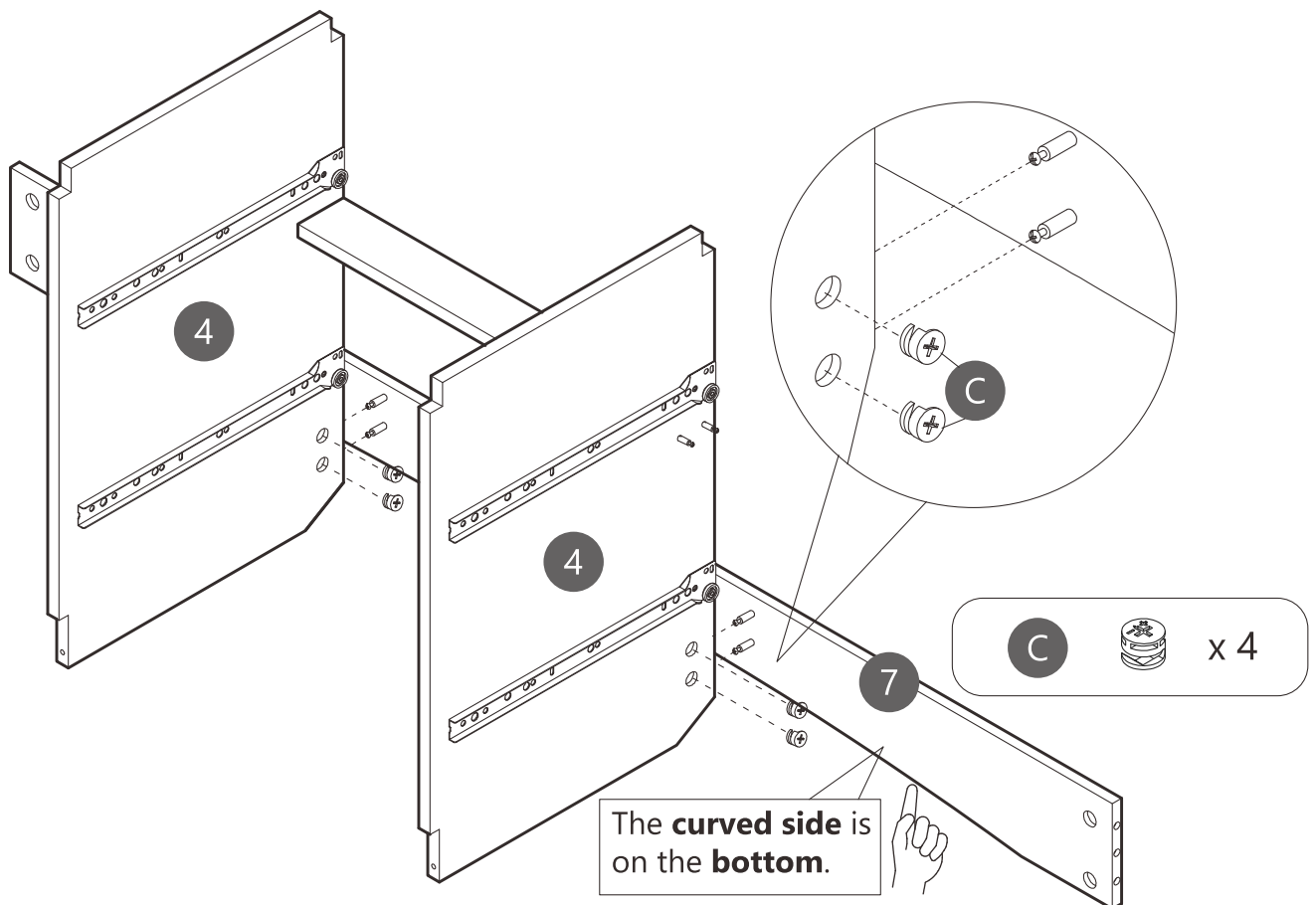
# Step 9

Securing Cam Bolt (A) into Board (7).



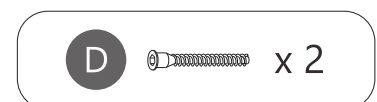
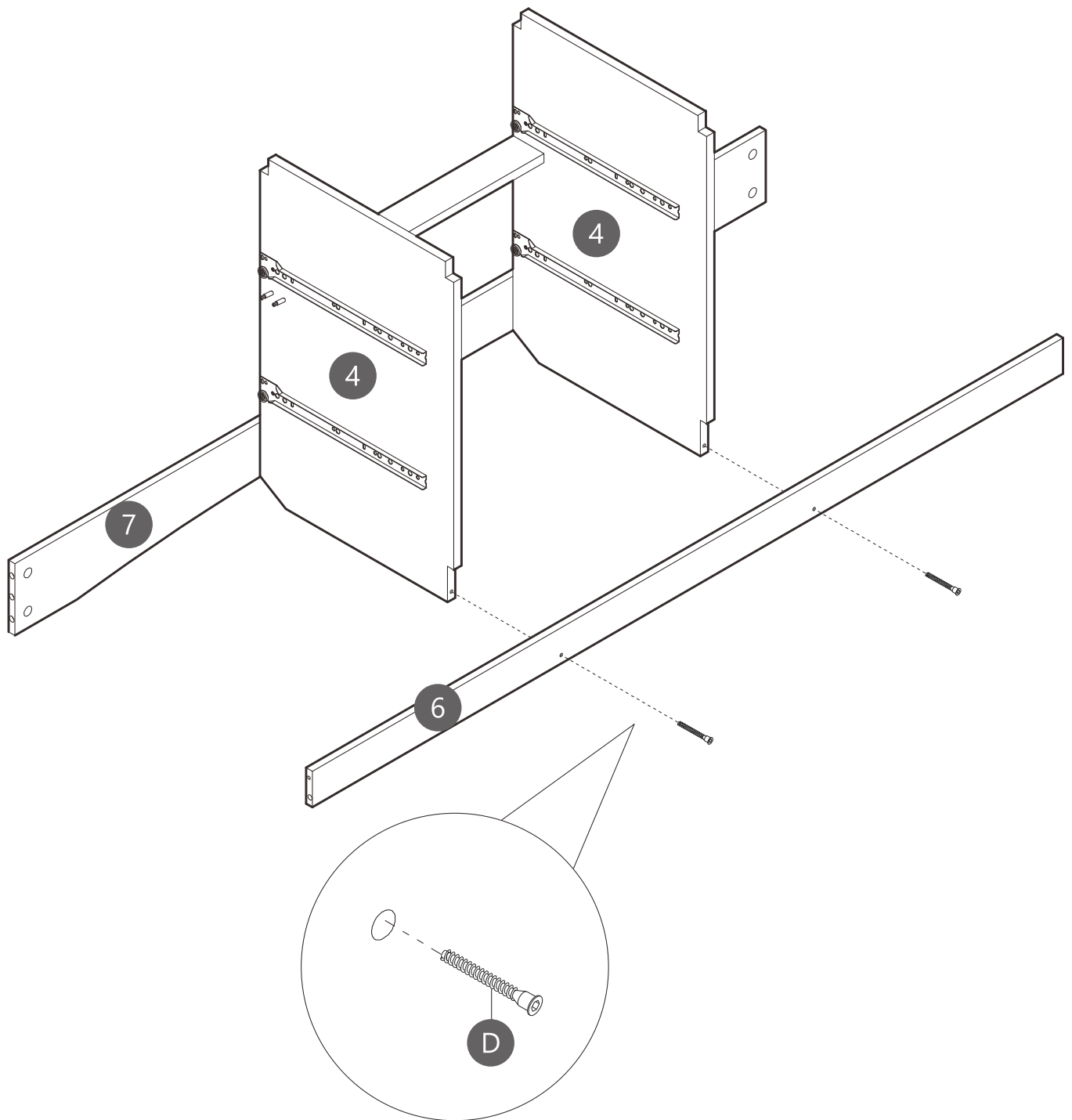
# Step 10

Attach Board (7) to Board (4). Using Cam Lock (C) secure Board (7) to Board (4).



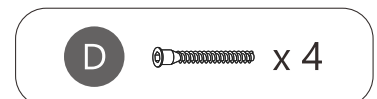
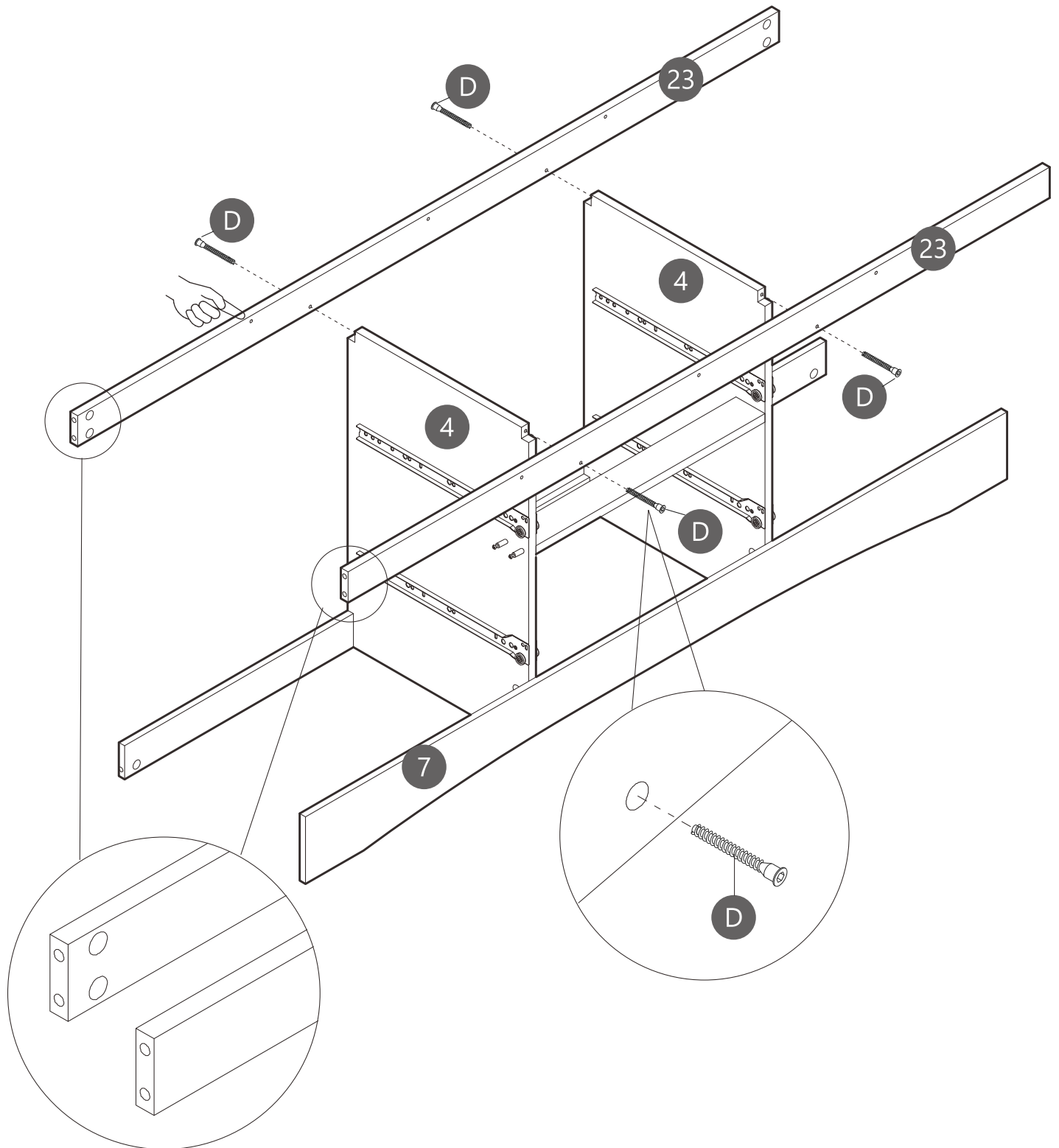
# Step 11

Using Screws (D) secure Board (6) to Board (4).



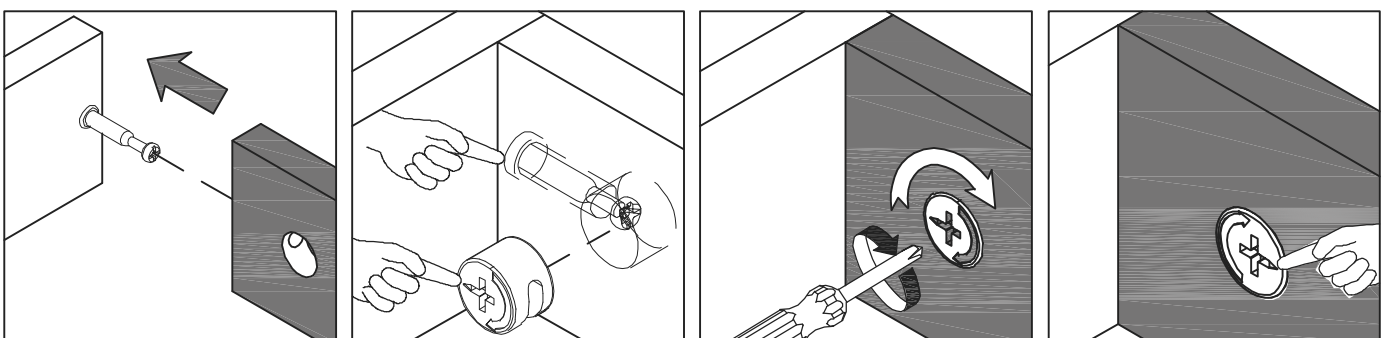
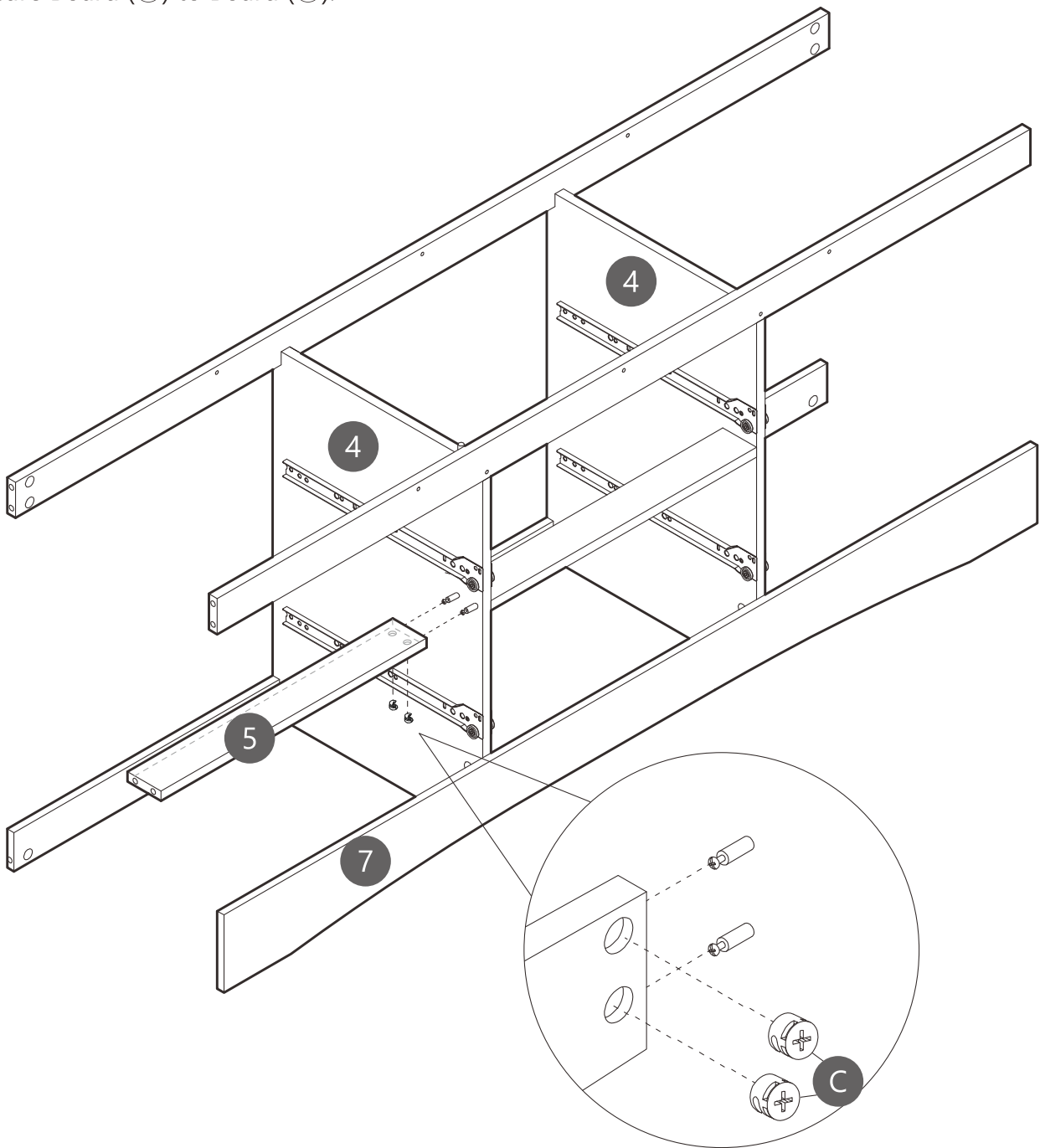
# Step 12

Using Screws (D) secure Board (23) to Board (4).



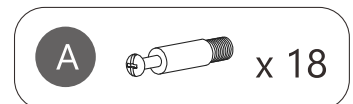
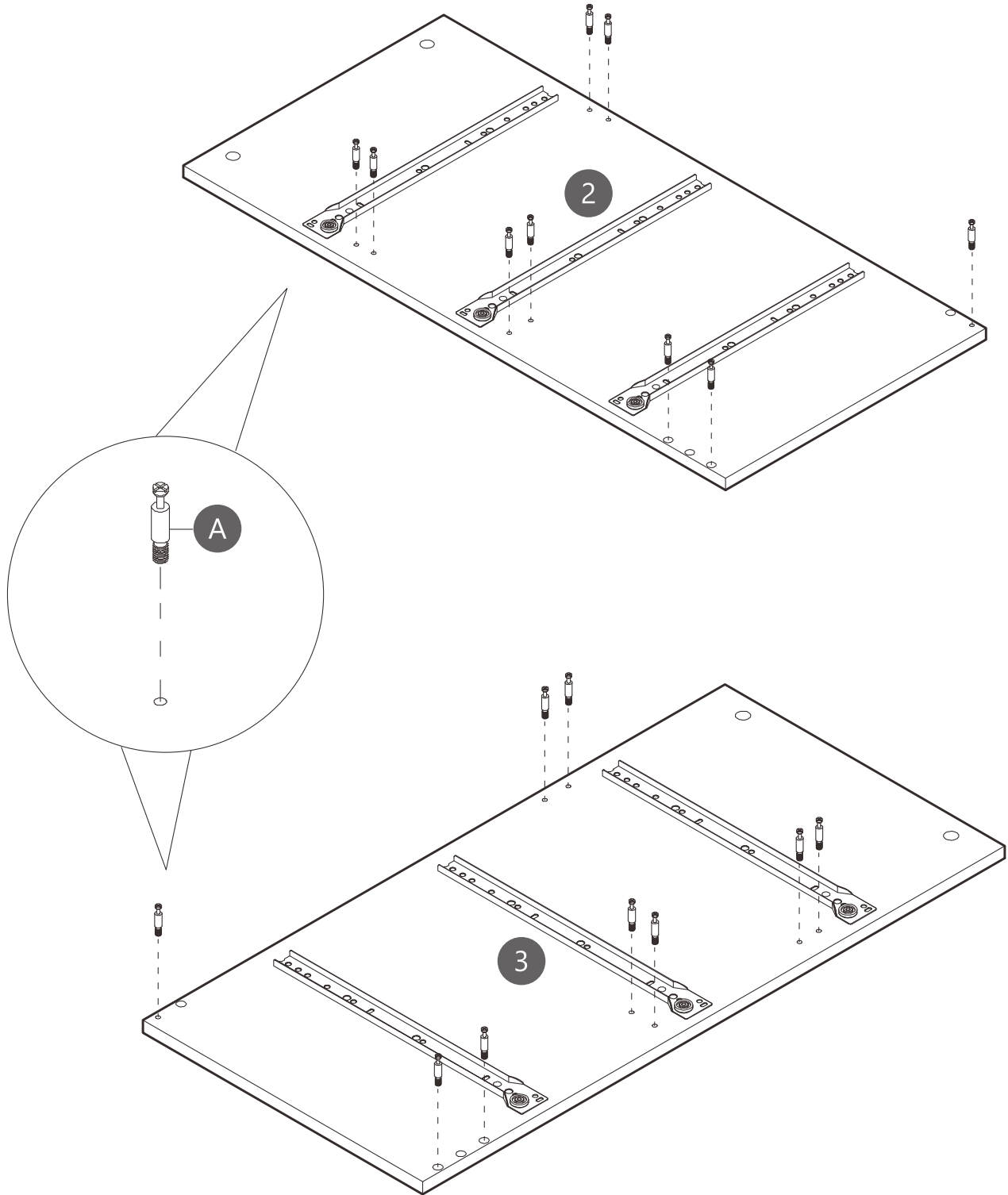
# Step 13

Attach Board (5) to Board (4). Using Cam Lock (C) secure Board (5) to Board (4).



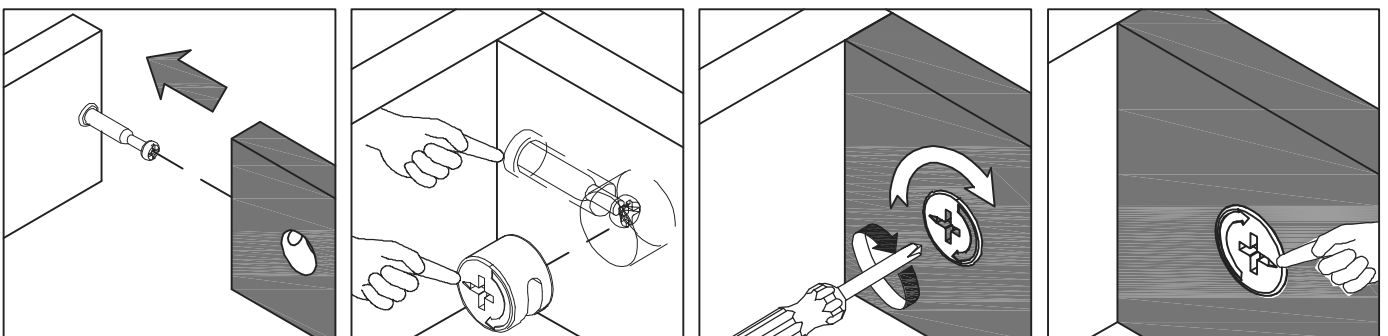
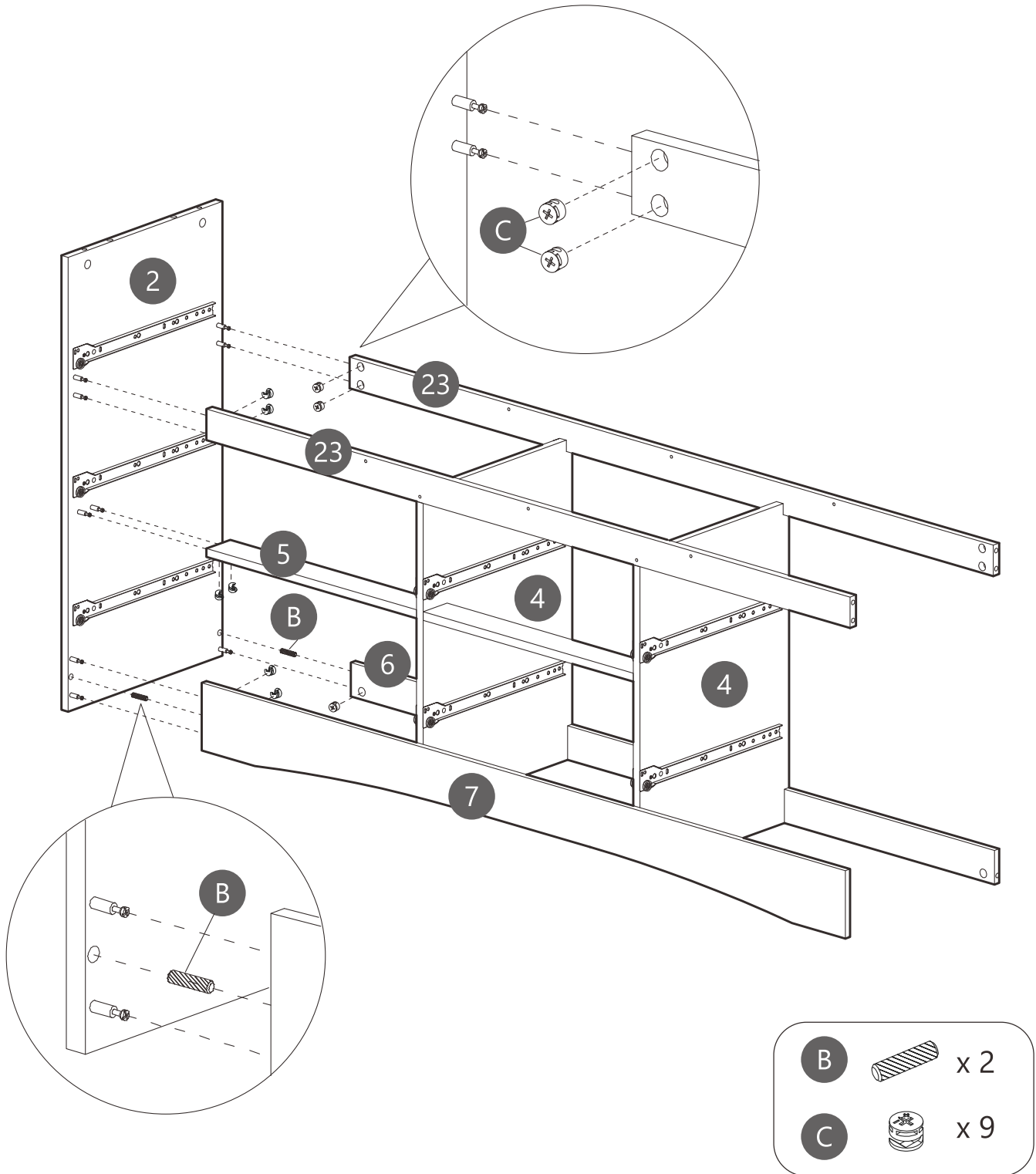
# Step 14

Securing Cam Bolt (A) into Board (②&③).



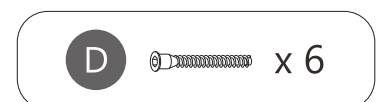
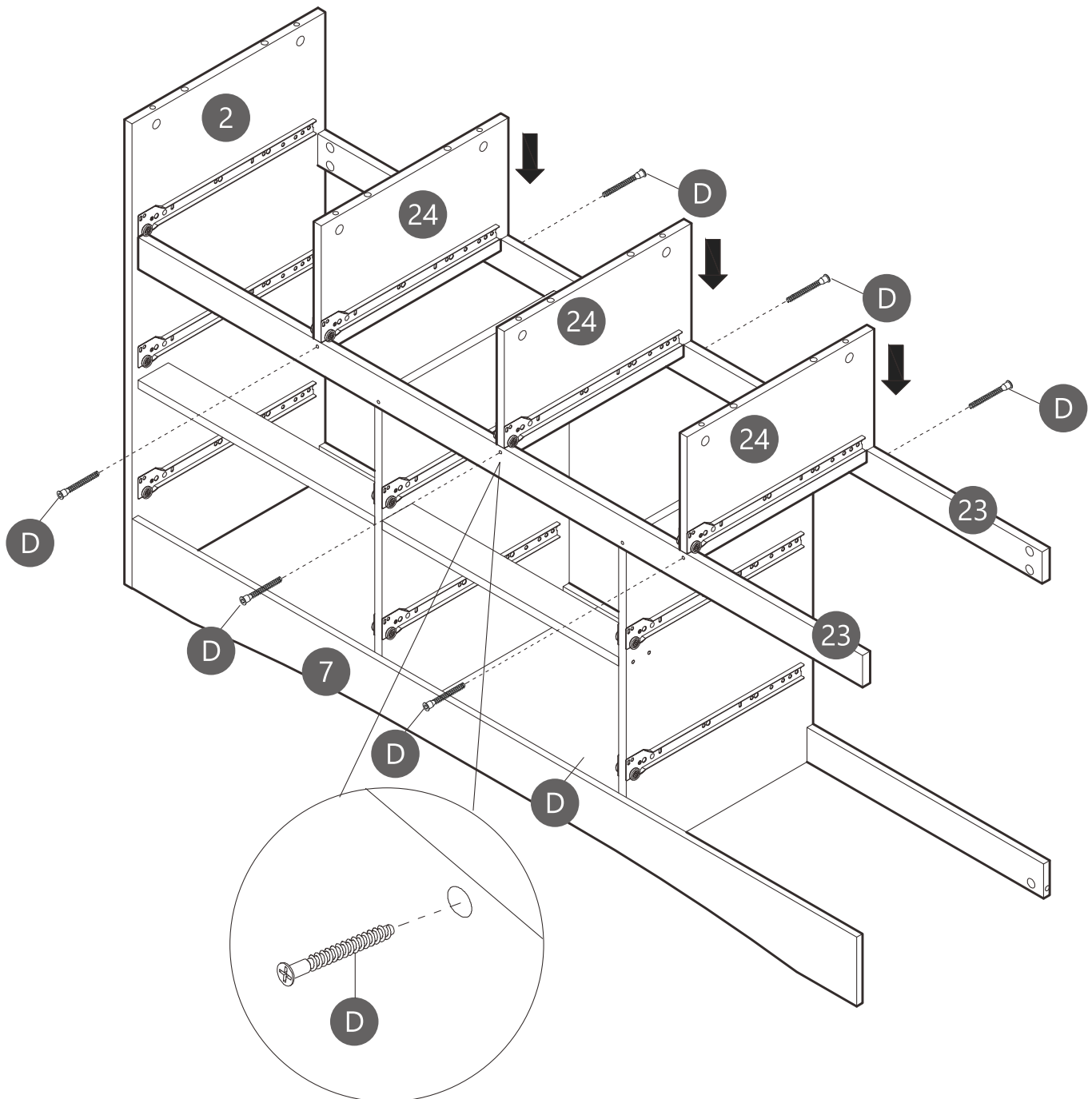
# Step 15

Inserting Wooden Dowel (B) into Board (2), then attach Board (2) to Board (5 & 6 & 7 & 23). Using Cam Lock (C) secure Board (2) to Board (5 & 6 & 7 & 23).



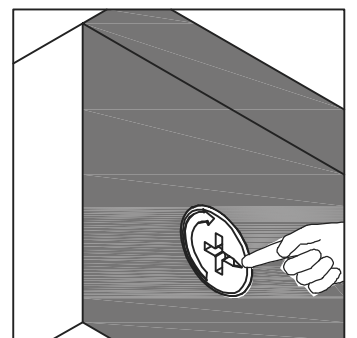
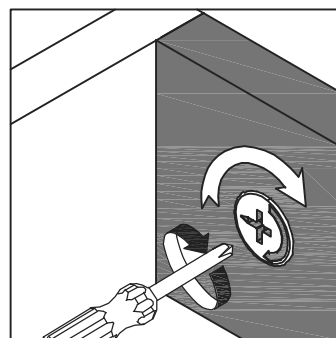
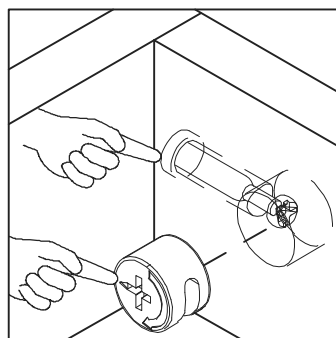
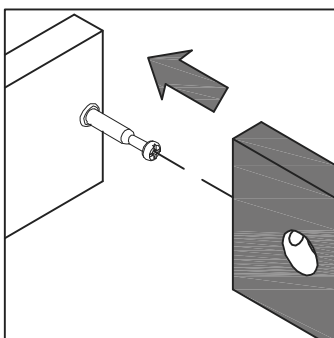
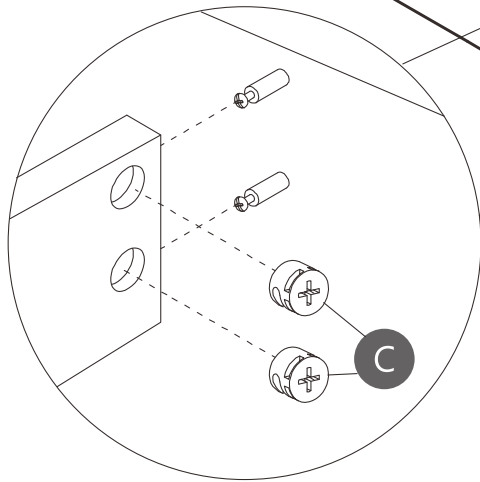
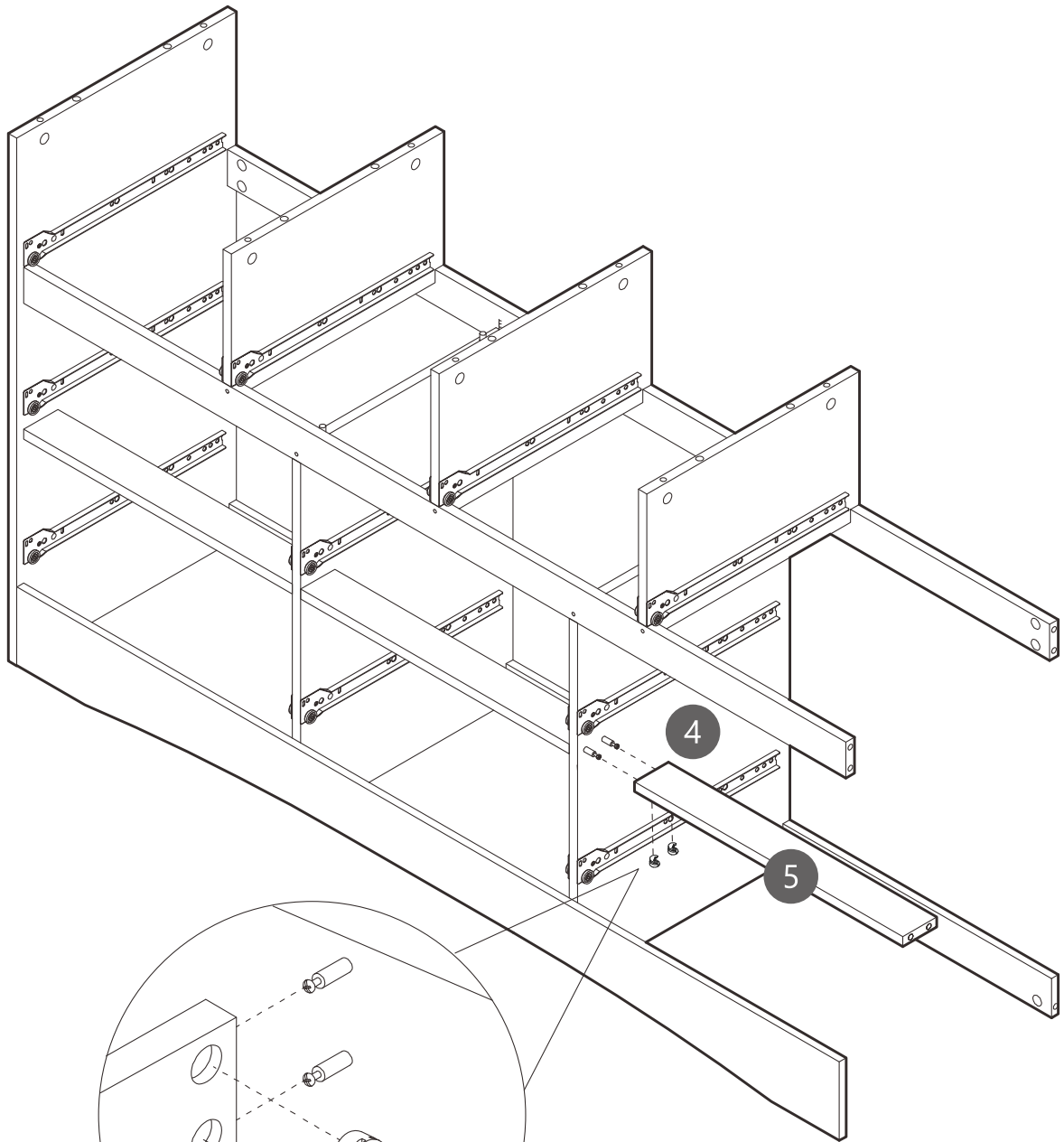
# Step 16

Using Screws (D) secure Board (24) to Board (23).



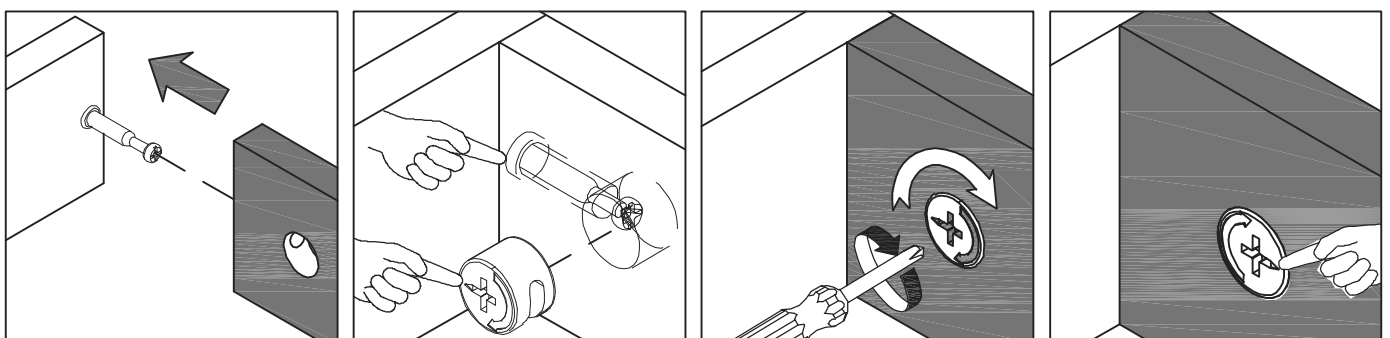
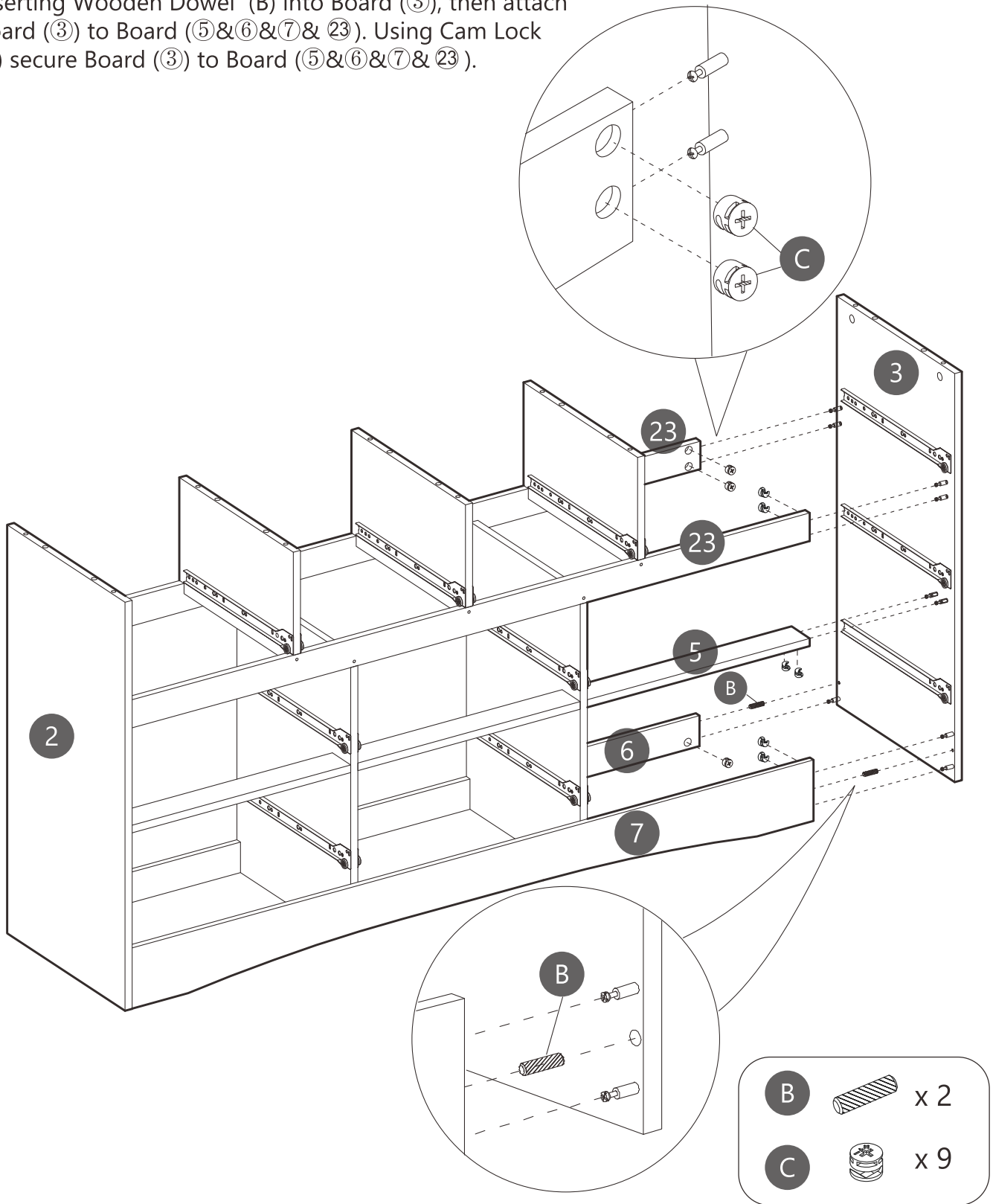
# Step 17

Attach Board (5) to Board (4). Using Cam Lock (C) secure Board (5) to Board (4).



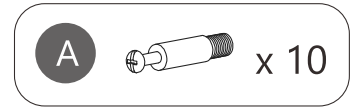
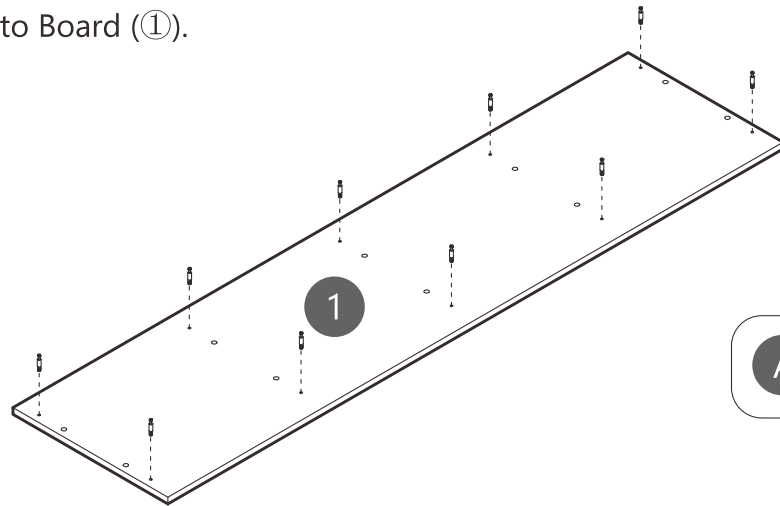
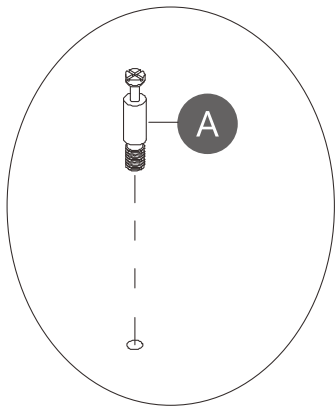
# Step 18

Inserting Wooden Dowel (B) into Board (3), then attach Board (3) to Board (5&6&7& 23). Using Cam Lock (C) secure Board (3) to Board (5&6&7& 23).



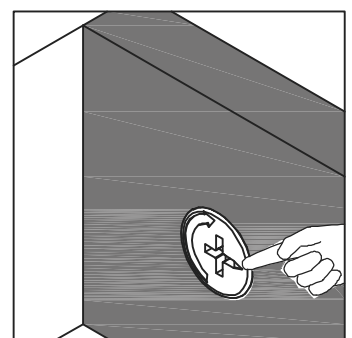
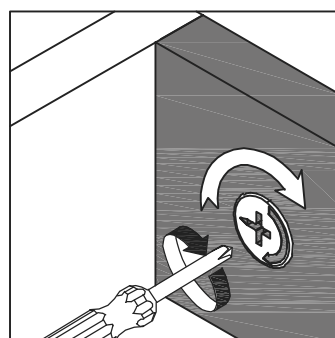
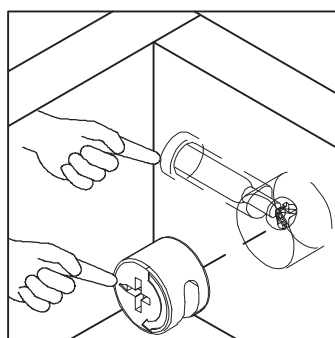
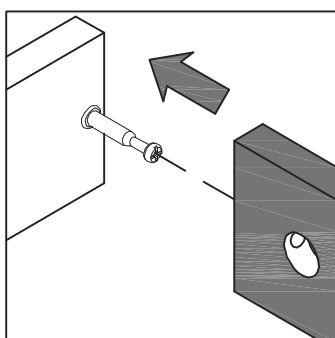
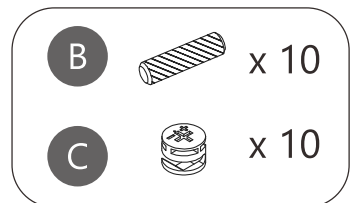
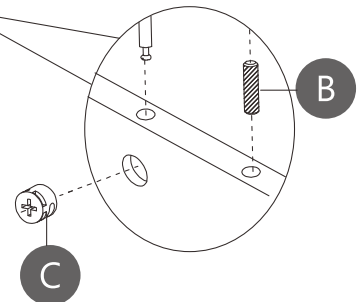
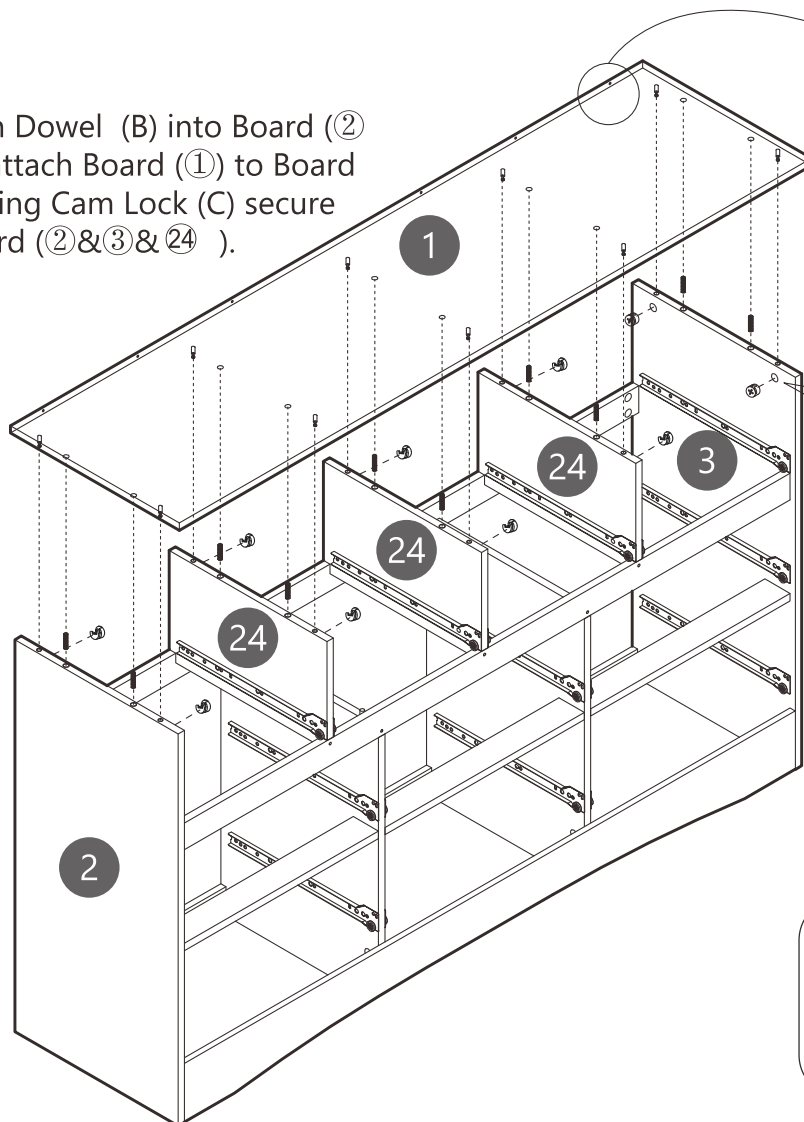
# Step 19

Securing Cam Bolt (A) into Board (①).



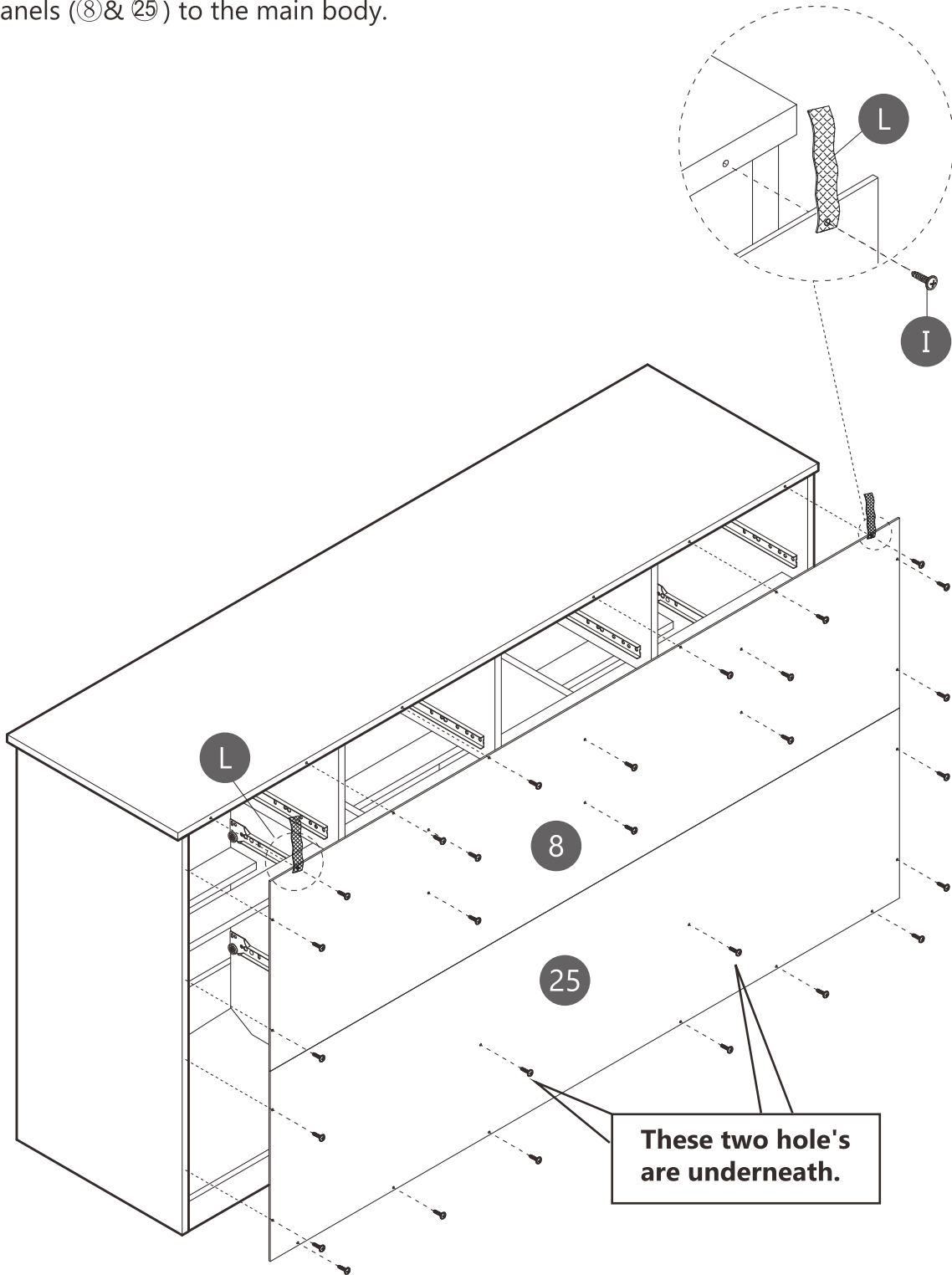
# Step 20



Inserting Wooden Dowel (B) into Board (② & ③ & ④), then attach Board (①) to Board (② & ③ & ④). Using Cam Lock (C) secure Board (①) to Board (② & ③ & ④).



# Step 21

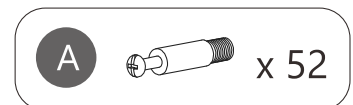
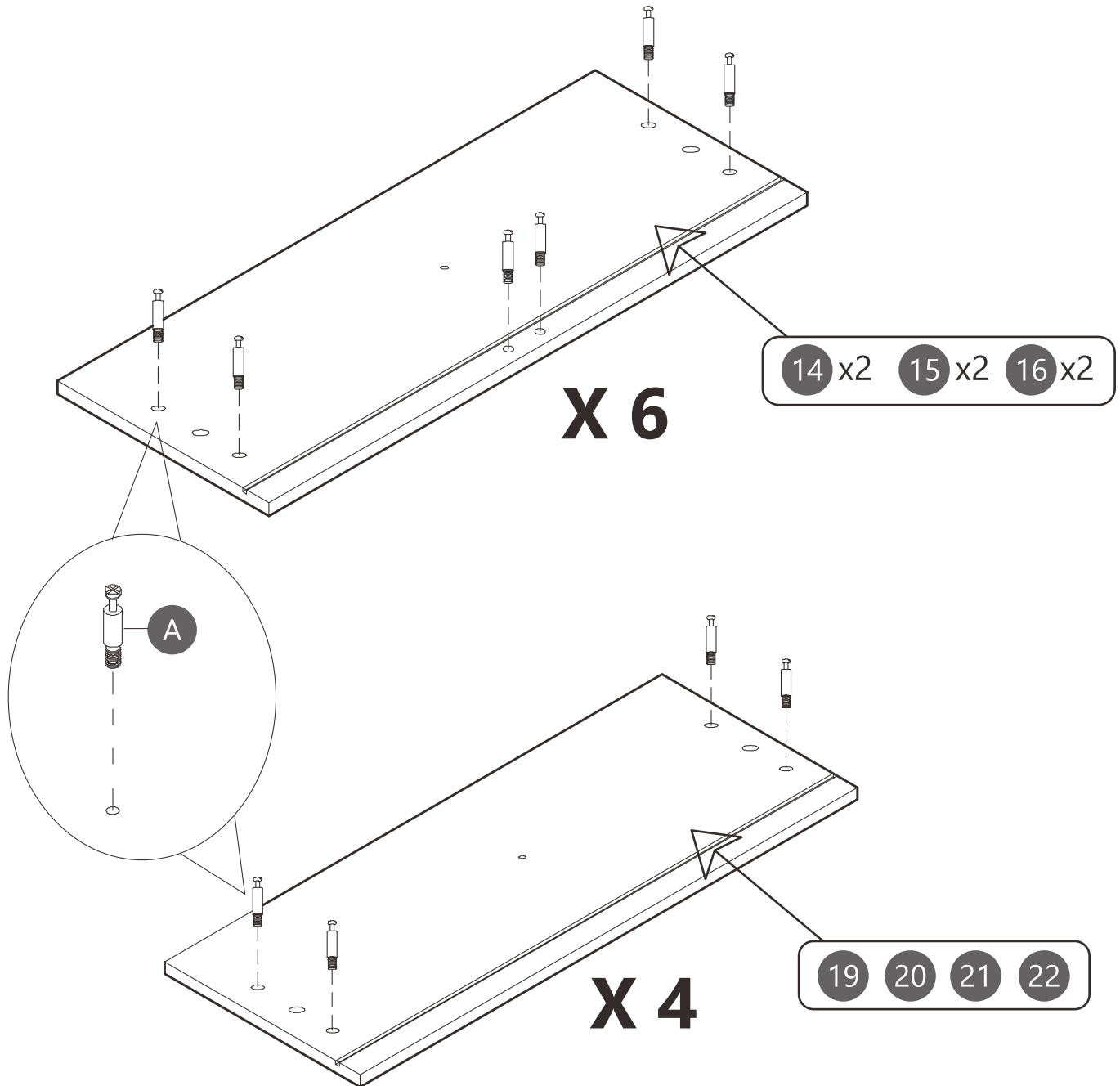
Using Screws (I) through Anti-tipping Belt (L) to assemble Back Panels (8 & 25) to the main body.



- I  x 28
- L  x 2

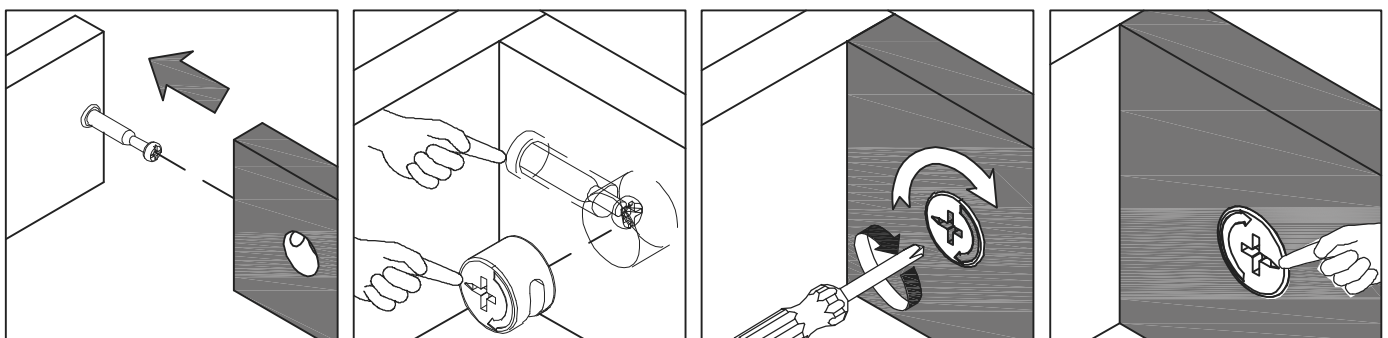
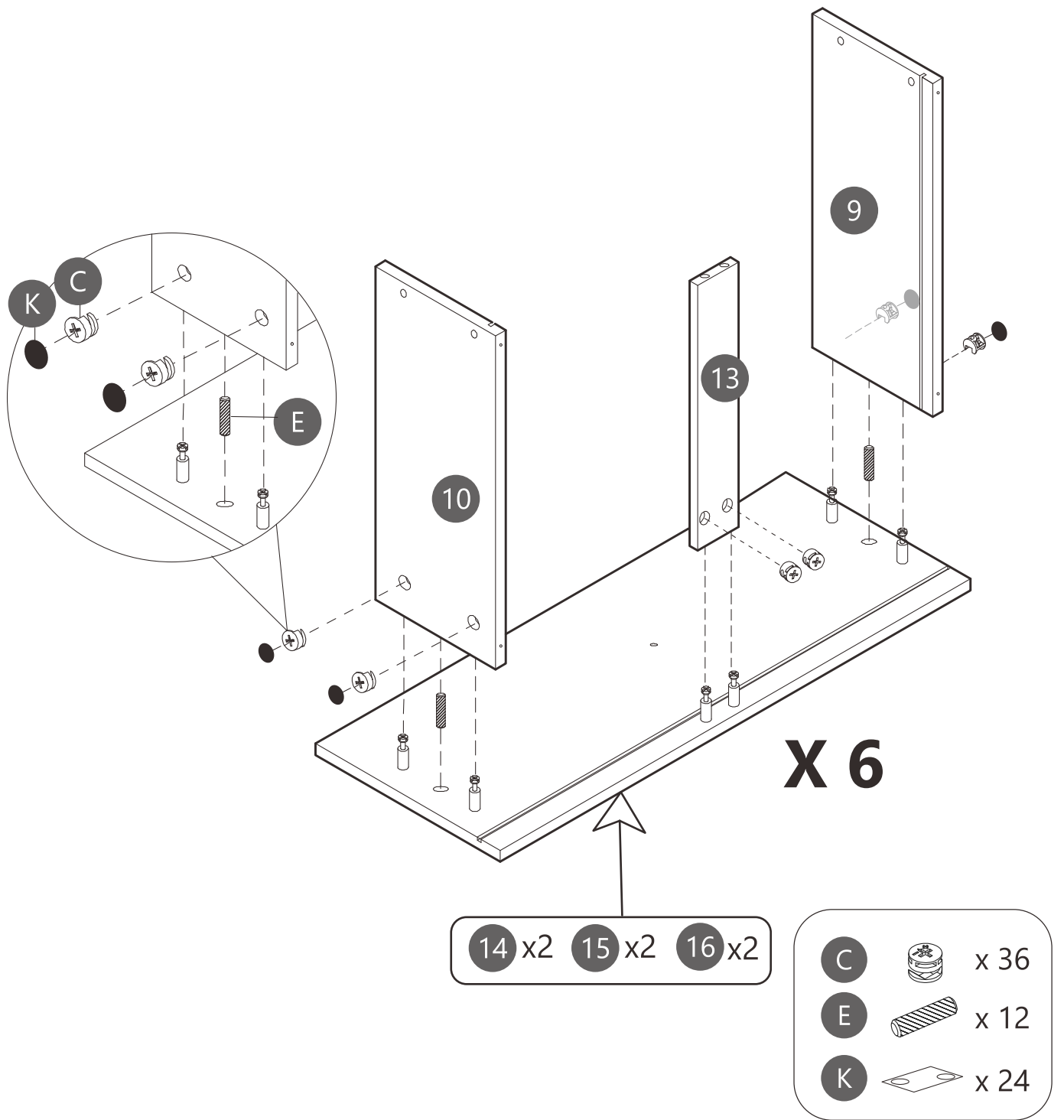
# Step 22

Securing Cam Bolt (A) into Board (14&15 &16 &19&20 & 21&22).



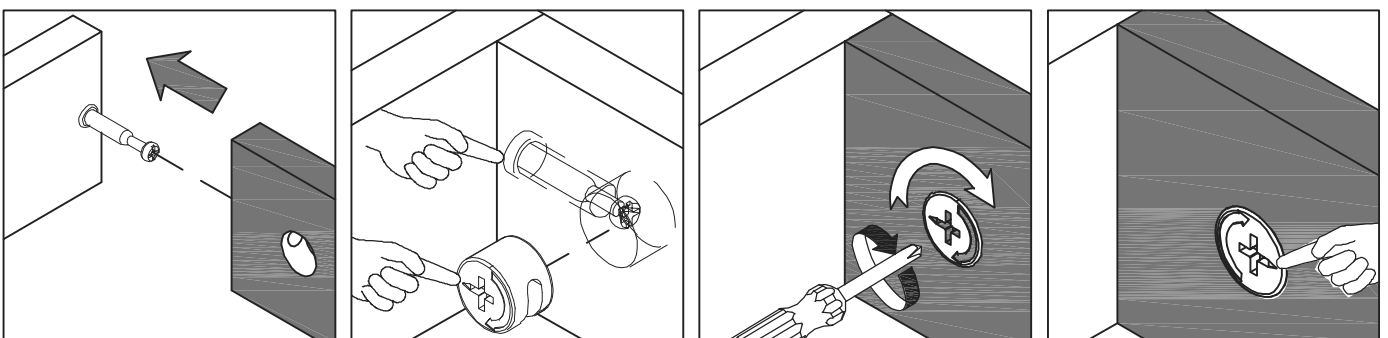
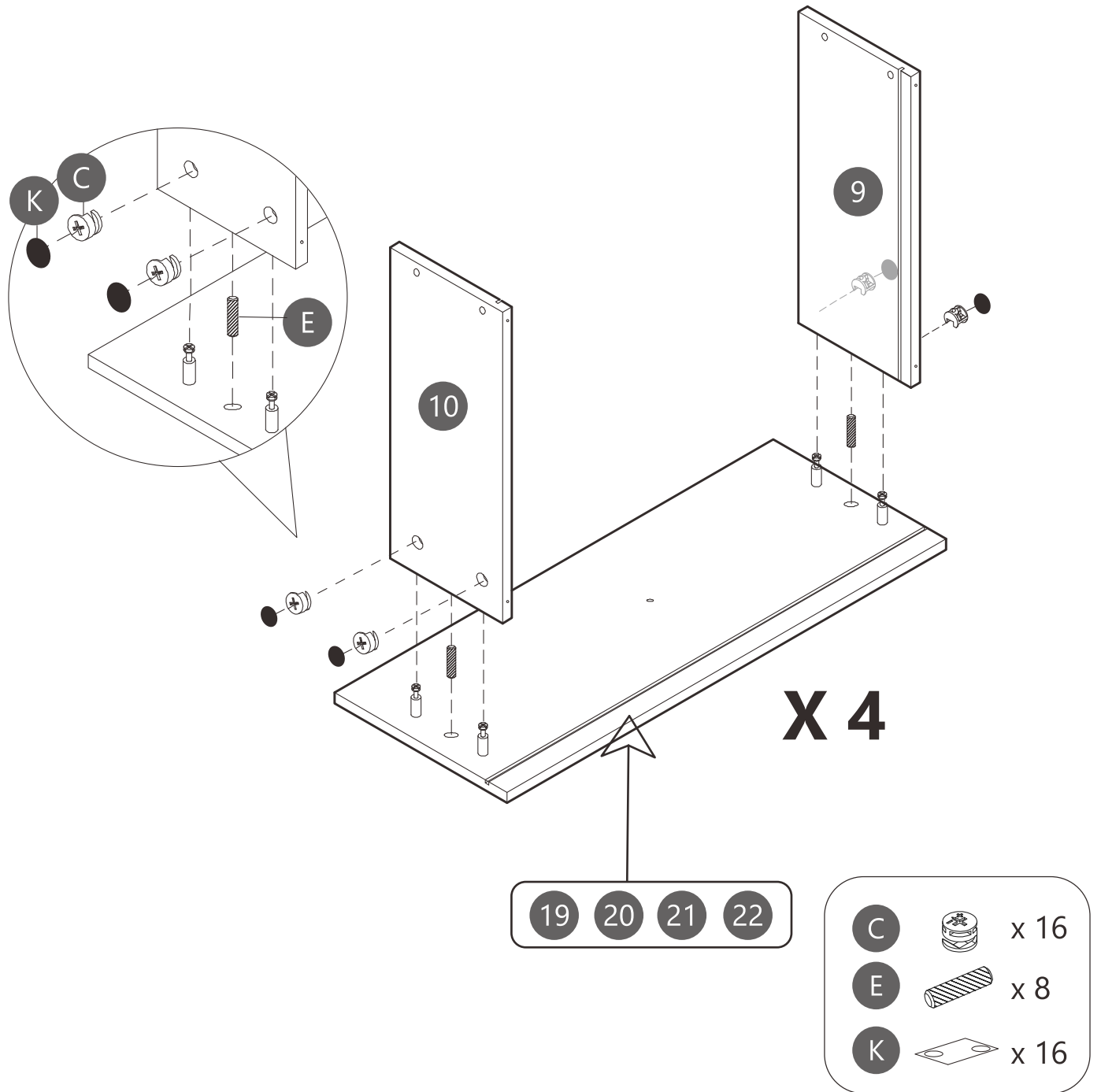
# Step 23

Inserting Wooden Dowel (E) into Board (14 & 15 & 16), then attach Board (9 & 10 & 13) to Board (14 & 15 & 16). Using Cam Lock (C) secure Board (9 & 10 & 13) to Board (14 & 15 & 16). Attach the Hole Sticker (K) to Cam Lock (C).



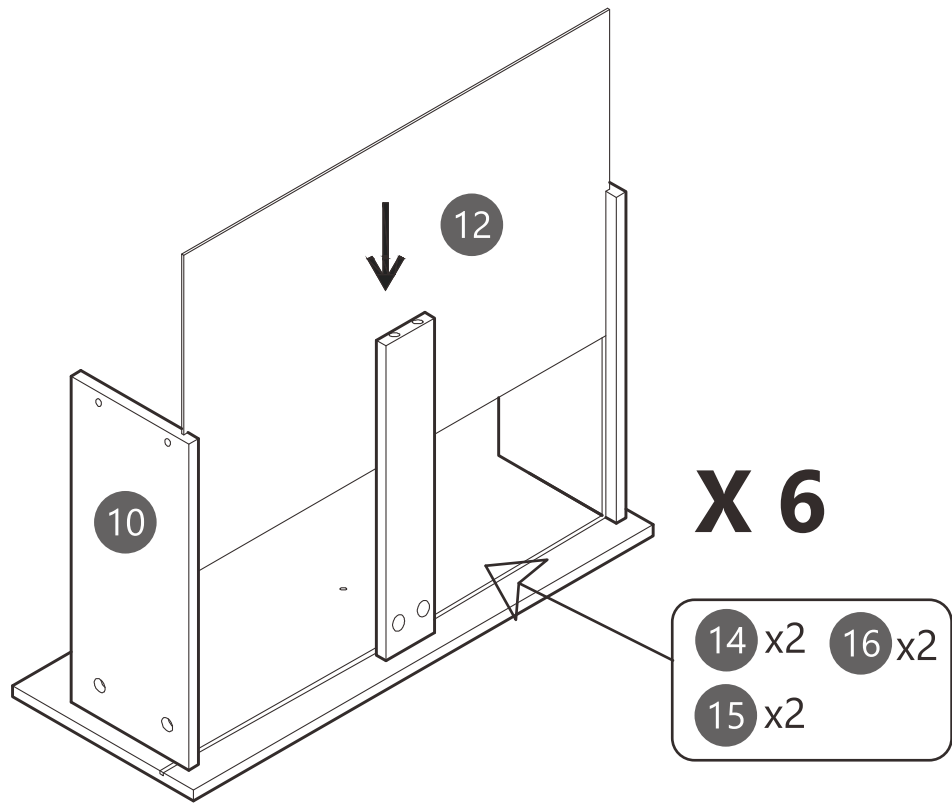
# Step 24

Inserting Wooden Dowel (E) into Board (19 & 20 & 21 & 22), then attach Board (9 & 10) to Board (19 & 20 & 21 & 22). Using Cam Lock (C) secure Board (9 & 10) to Board (19 & 20 & 21 & 22). Attach the Hole Sticker (K) to Cam Lock (C).

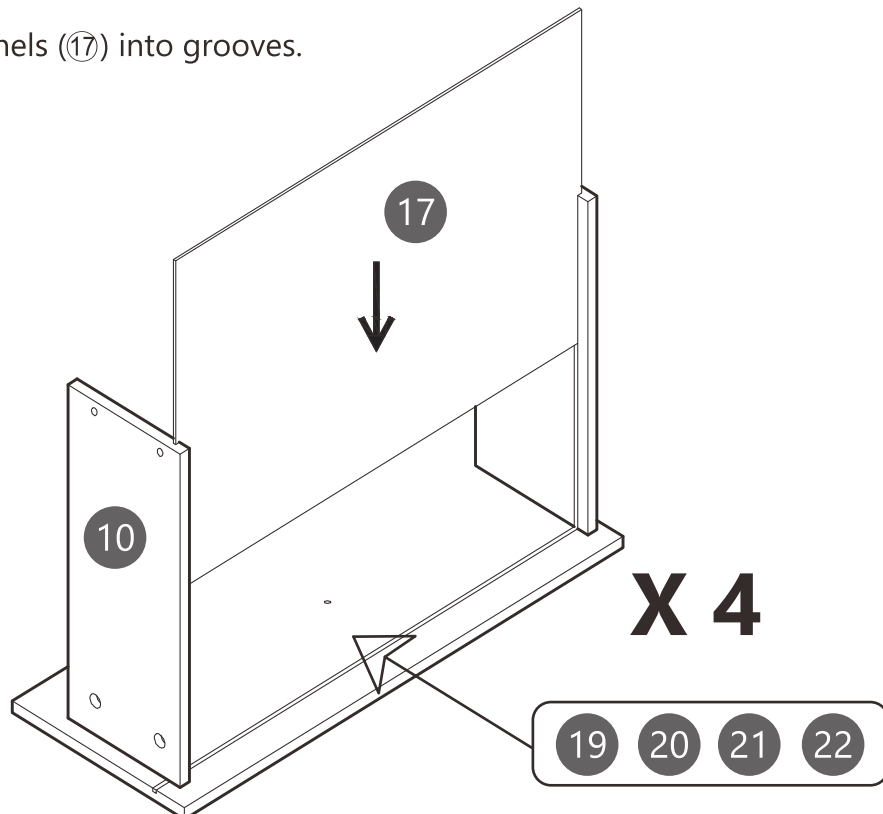


# Step 25

Sliding drawer bottom panels (12) into grooves.

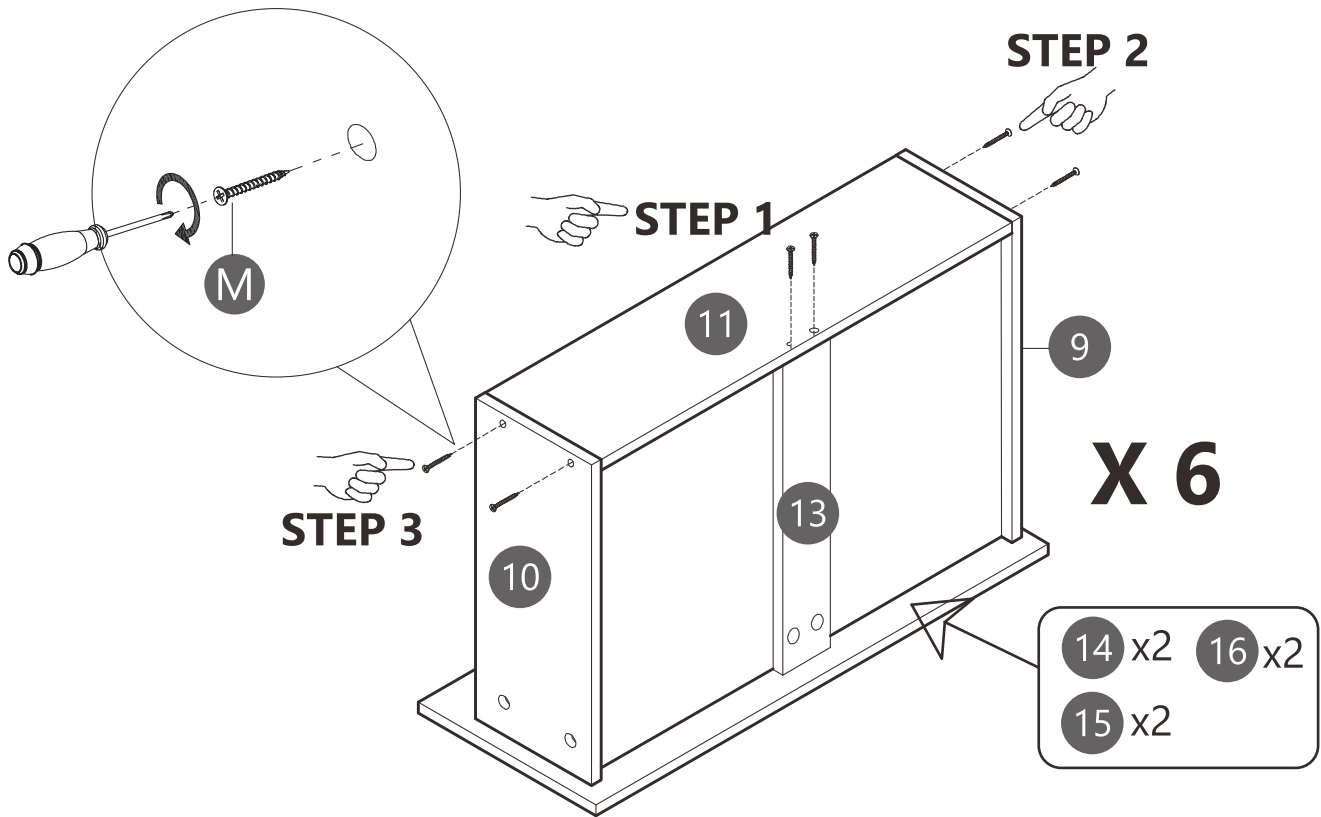


Sliding drawer bottom panels (17) into grooves.

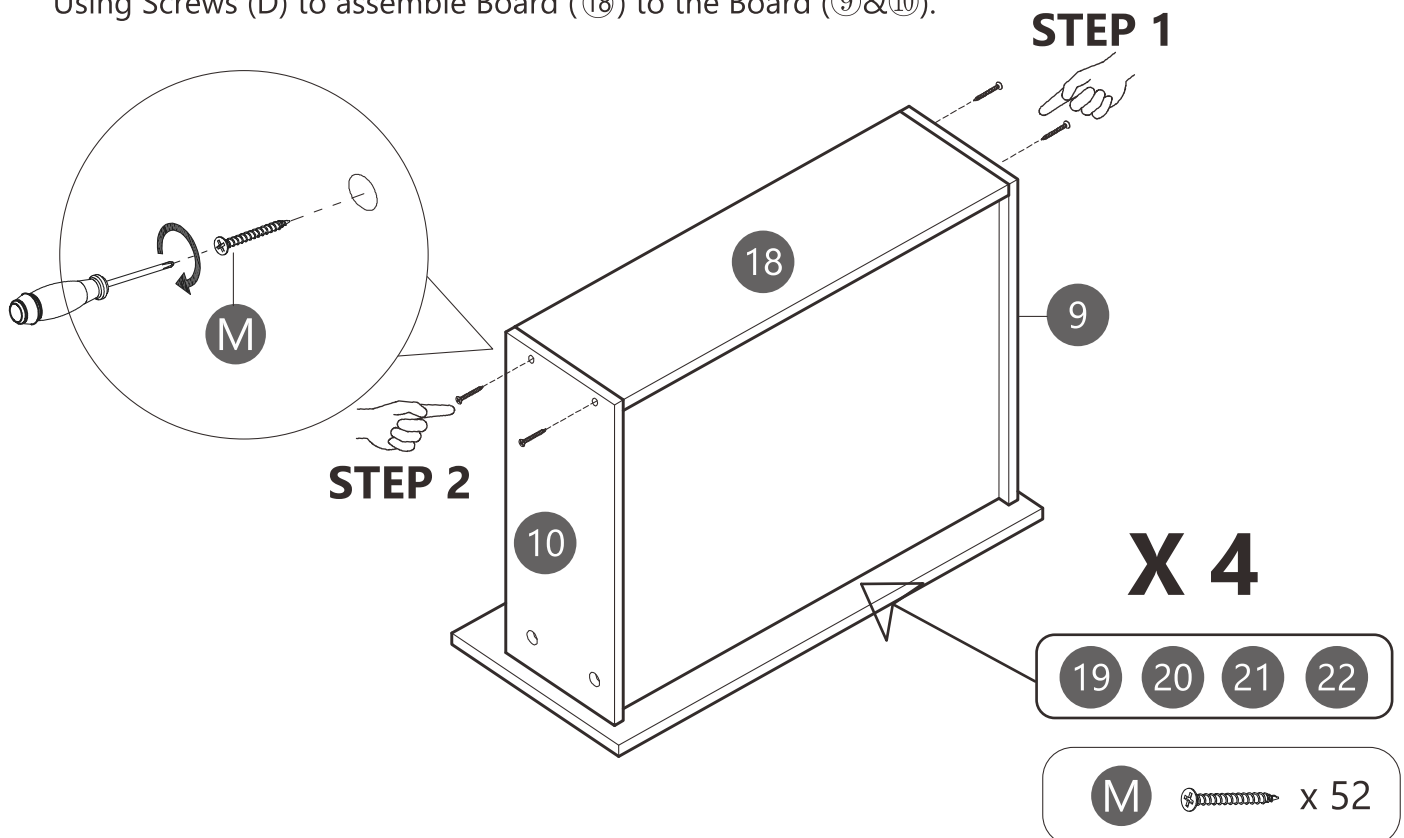


# Step 26

Using Screws (M) to assemble Board (11) to the Board (9&10&13).

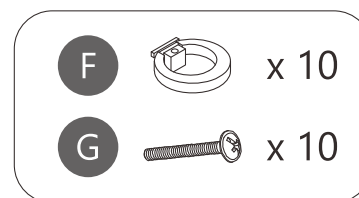
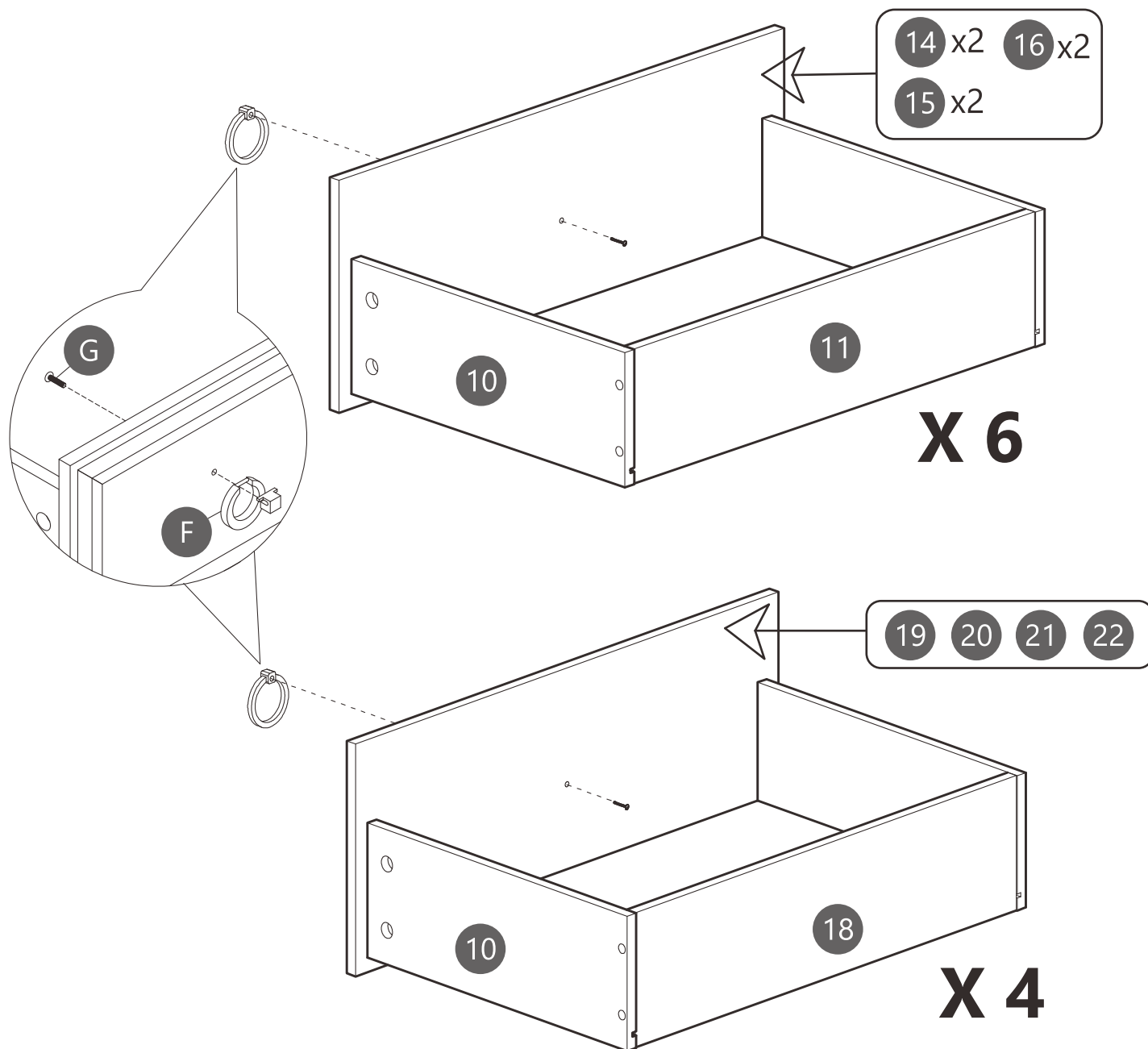


Using Screws (D) to assemble Board (18) to the Board (9&10).



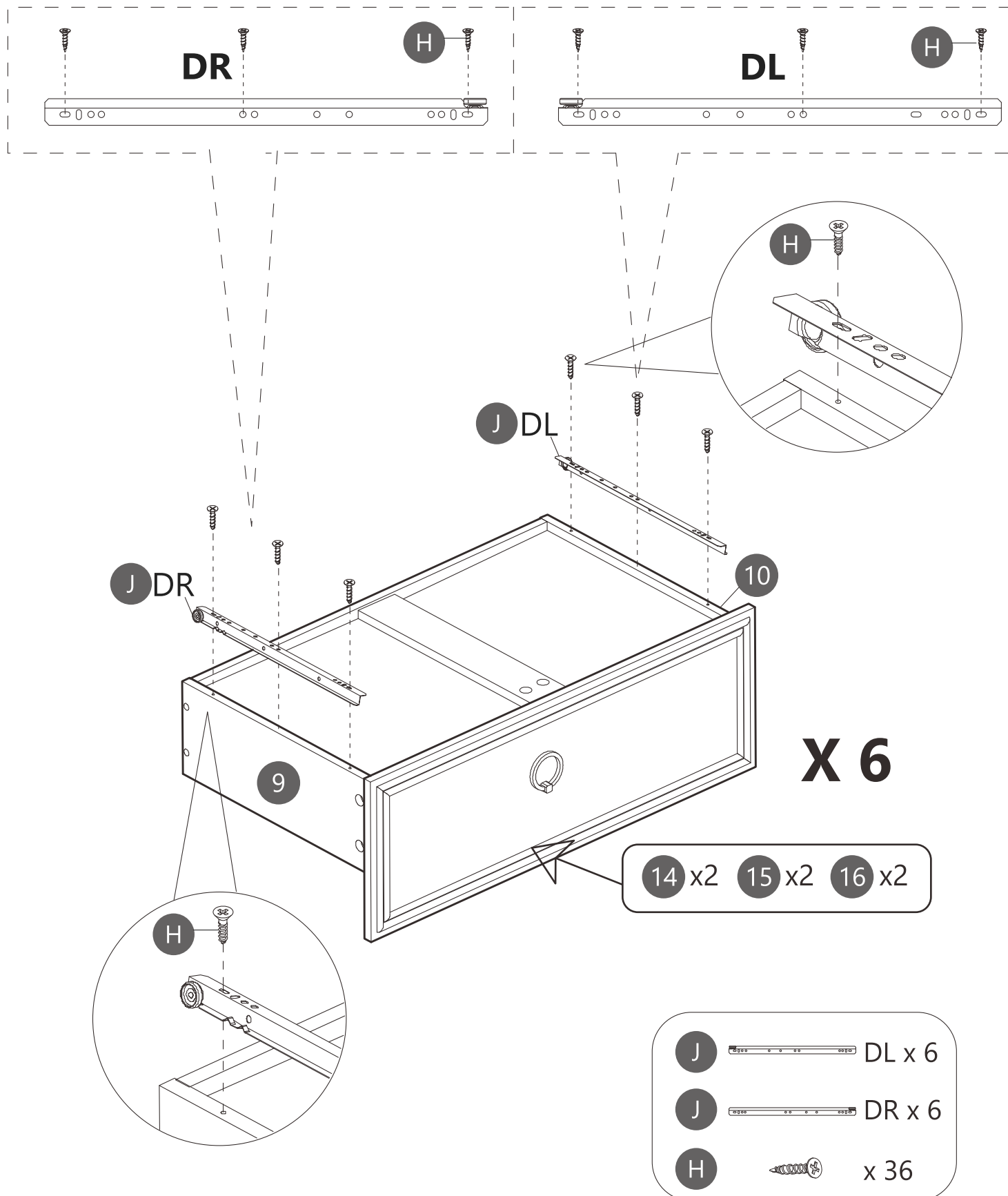
# Step 27

Using Screws (G) to assemble Handle (F) to the Board ( 14&15 &16 &19&20 & 21&22).



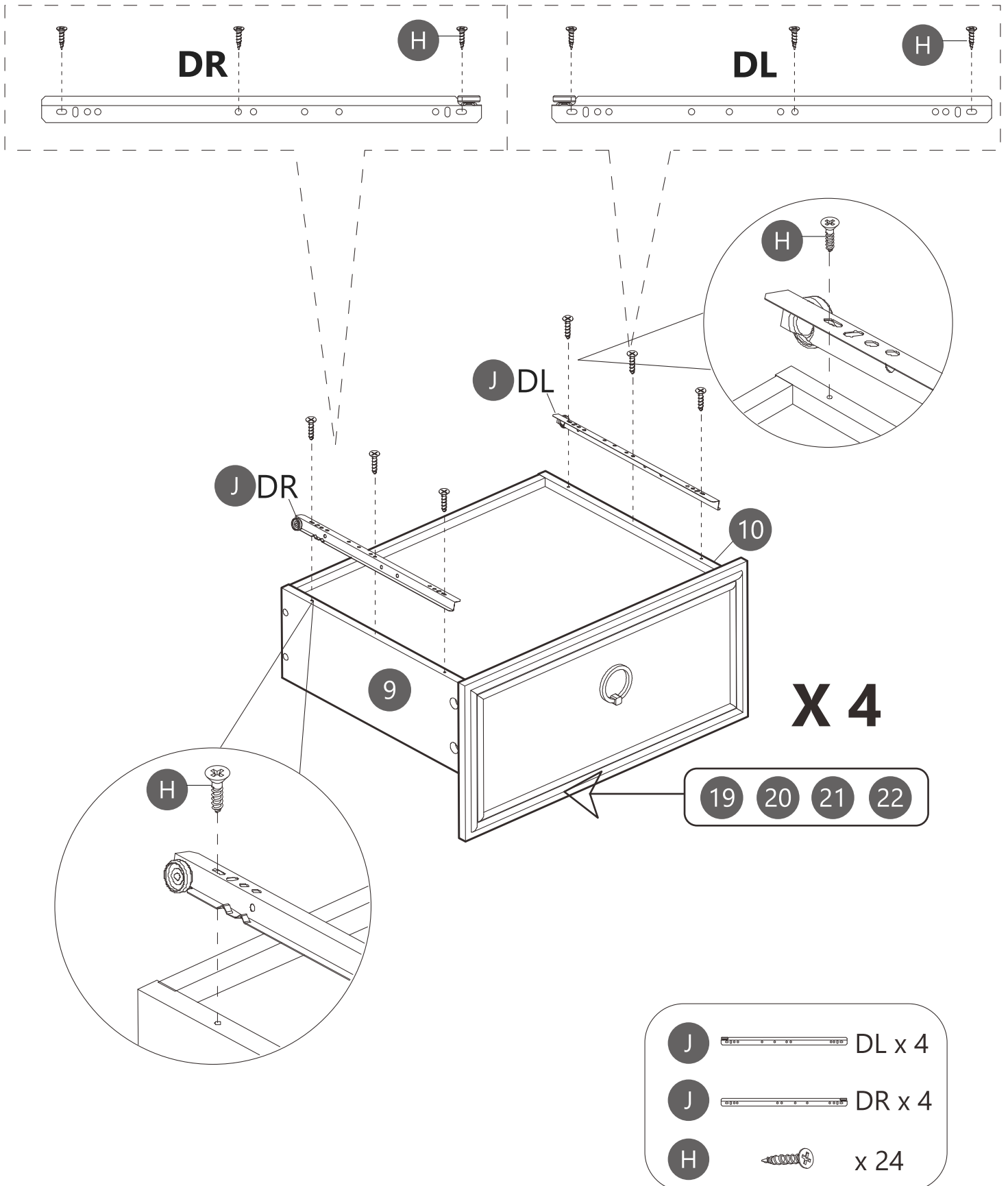
# Step 28

Using Screws (H) to assemble Slide (DR) to Board (9).  
 Using Screws (H) to assemble Slide (DL) to Board (10).



# Step 29

Using Screws (H) to assemble Slide (DR) to Board (9).  
 Using Screws (H) to assemble Slide (DL) to Board (10).

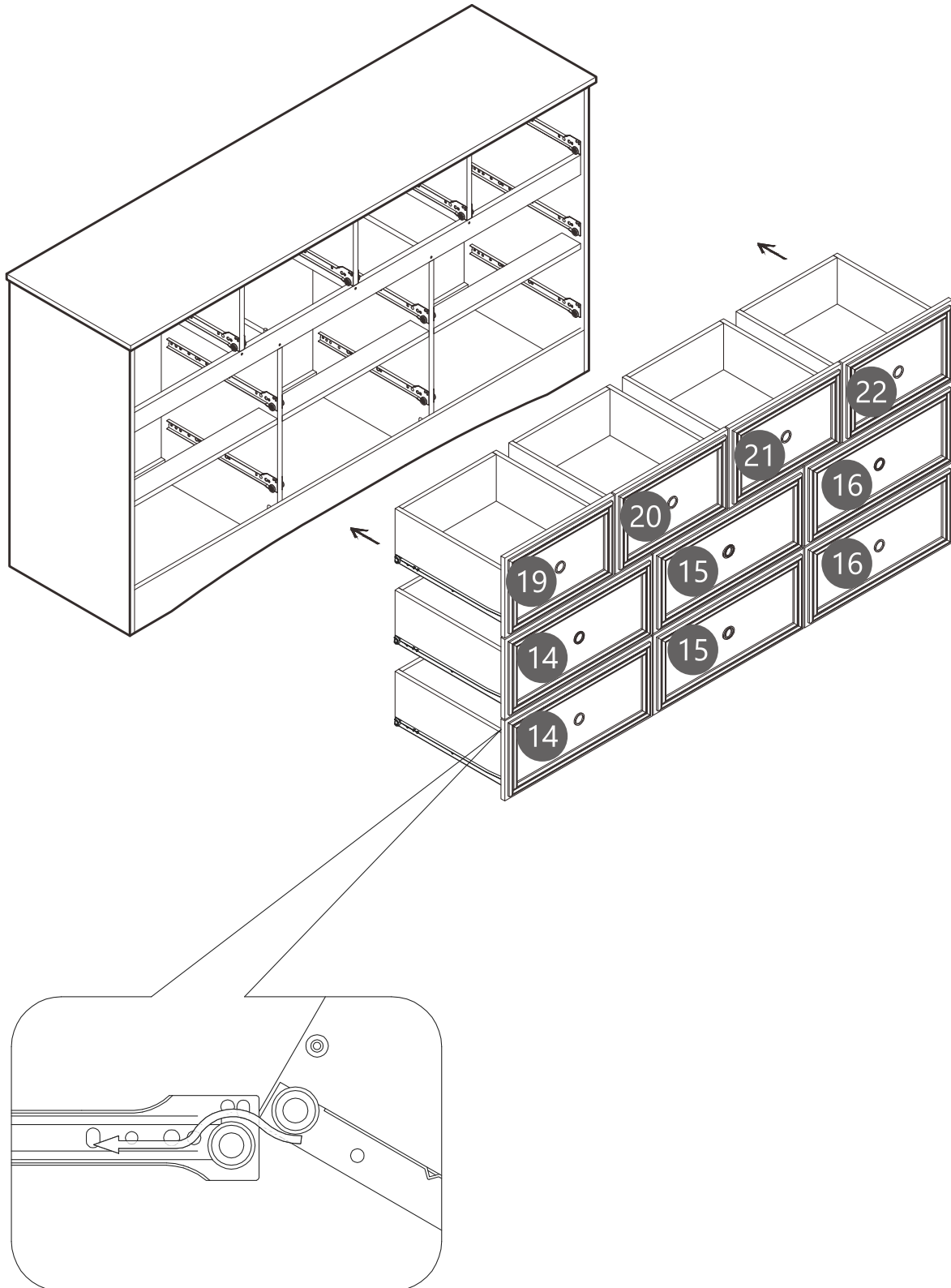


# Step 30

Assembled the drawers as per diagram.

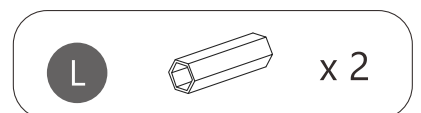
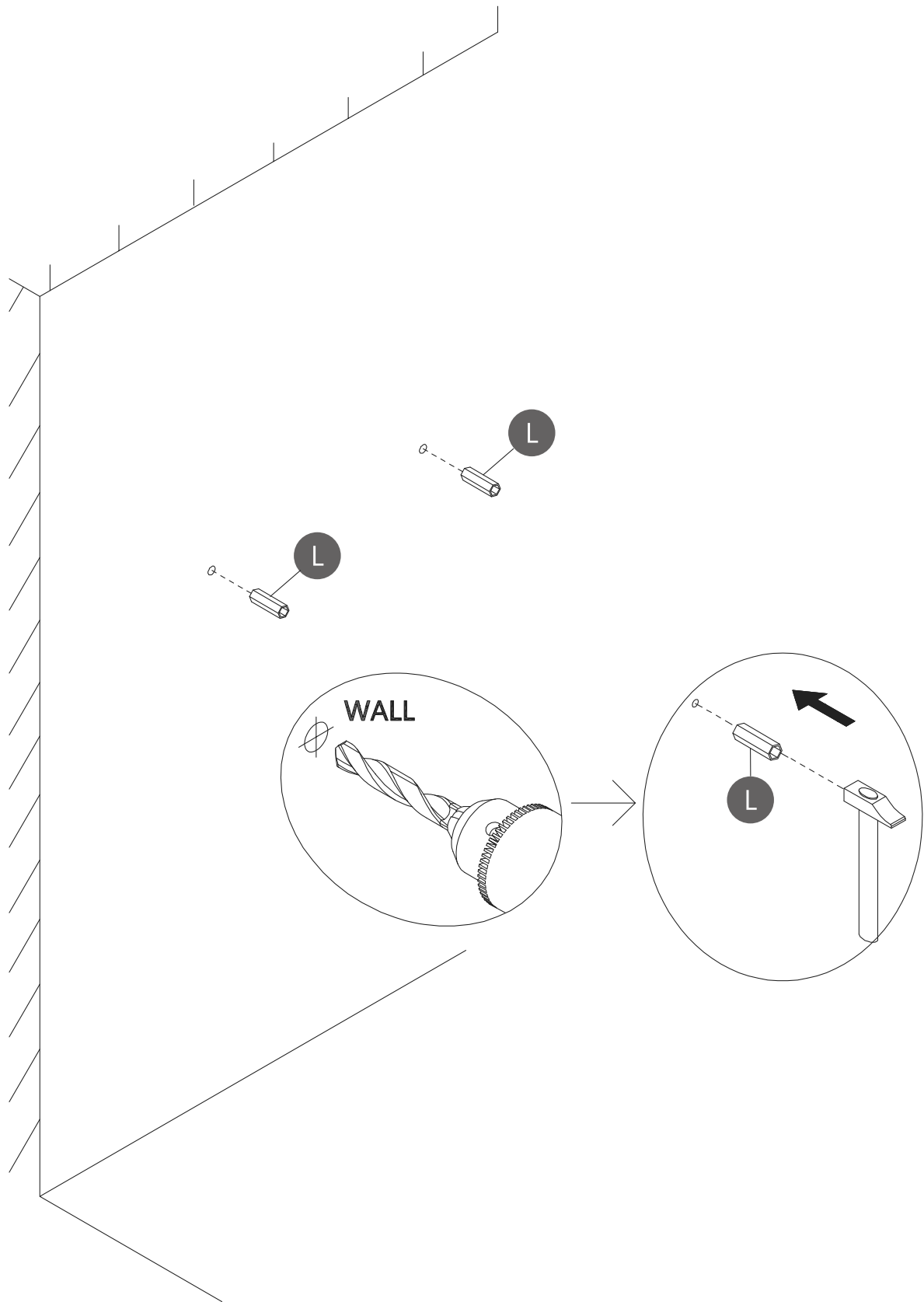
Pay attention to the **ORDER** of the drawers.

When you put the drawer, please note that the drawer wheels on top of the wheels of the slide, then check whether the drawer is smooth when pulled out. Otherwise, the drawer will not be aligned with other drawers.



# Step 31

Drill 2 holes in the wall and Hammer the (L) in.



# Step 32

Using Screw (L) attach Anti-tipping Belt into Nut (L) to wall.

