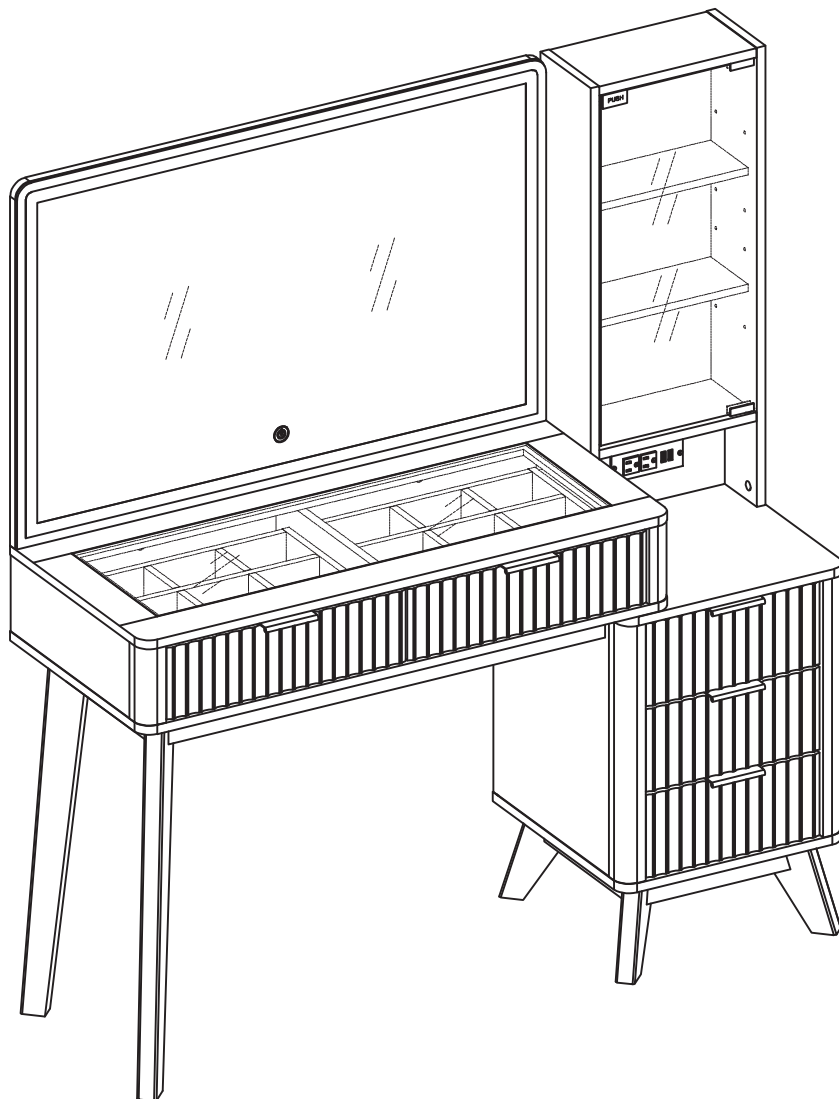
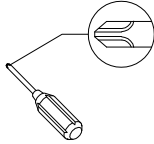


Assembly Instructions

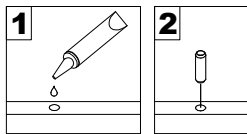


General Assembly Guidelines

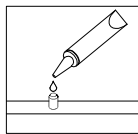
- I. Ensure that all parts and hardware are available before beginning assembly.
- II. Follow each step carefully to ensure the proper assembly of this product.
- III. Two people are recommended for ease in the assembly of this product.
- IV. A Phillips head screwdriver is required for the assembly of this product .



- V. The provided glue is to secure wood dowels in place . When first inserting dowels , locate the appropriate hole for the dowel , place a small amount of glue in the hole and insert the dowel . Wipe away excess glue immediately.

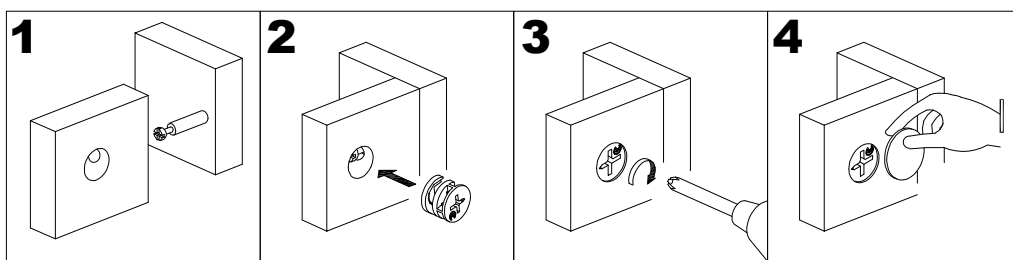


In future assembly steps when dowels are necessary to attach assembly parts together , place a small amount of glue on the end of the dowel before attaching parts together . Wipe away excess glue immediately.

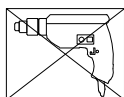


VI HOW THE KNOCK DOWN (KD) ASSEMBLY SYSTEM WORKS

- 1.Screw the Cam Bolt into the pre-drilled hole on the panel. Make sure Cam Bolt goes into the pre-drilled hole on the end of panel for Cam Lock.
- 2.Insert the Cam Lock into the pre-drilled large hole on the panel. Make sure the arrow on the face of Cam Lock points towards Cam Bolt.
- 3.Take a Phillips screwdriver and rotate the Cam Lock clockwise to lock the Cam Bolt.
- 4.Use the sticker to conceal the Cam.



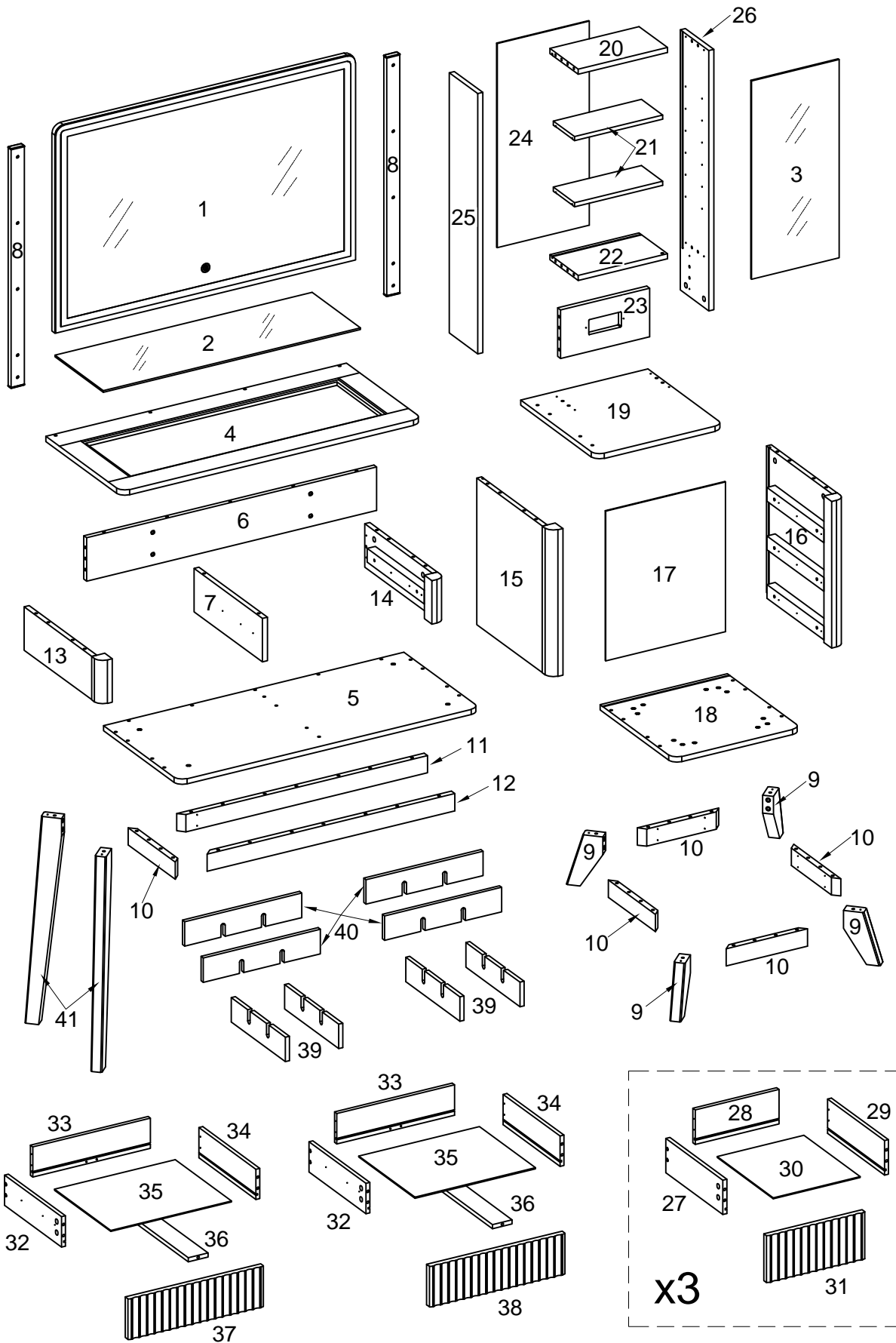
- VII. Power tools should not be used to assemble this product .




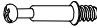


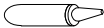

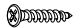

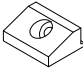
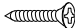

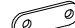




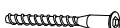

⚠ WARNING

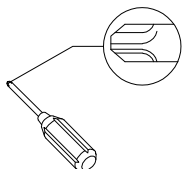
INGESTION HAZARD DEATH or serious injury can occur if ingested . A swallowed button cell or coin battery can cause **Internal Chemical Burns** in as little as **2 hours**. **KEEP** new and used batteries **OUT OF REACH OF CHILDREN** **Seek immediate medical attention** if a battery is suspected to be swallowed or inserted inside any part of the body.

Parts List




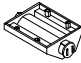

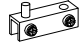

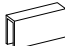

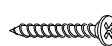


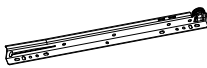
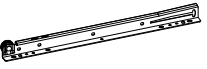
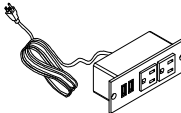




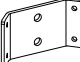
Hardware List

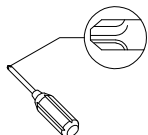
A		Ø8x30mm	Large Dowel	62 pcs
B		Ø6x35mm	Cam bolt	55 pcs
C		Ø15x11mm	Large Cam lock	33 pcs
D		Ø30mm	Cam cover	55 pcs
E			Glue	3 pcs
F		Ø5x16mm	Shelf support pin	8 pcs
G		Ø3.5x14mm	Screw	10 pcs
H			Knob	5 pcs
J			Plastic wedge	12 pcs
K		Ø3x17mm	Flat-head screw	12 pcs
L		Ø8x20mm	Small Dowel	6 pcs
M			Metal plate	3 pcs
N		10"	Drawer slider	2 sets
P		Ø3.5x12mm	Screw	68 pcs
Q		Ø6x30mm	Bolt	12 pcs
R		M 4	Allen Wrench	1 pc
S		Ø6x50mm	Screw	19 pcs
T		Ø15x9mm	Small cam lock	22 pcs



Philips head screwdriver required for assembly
(not included)

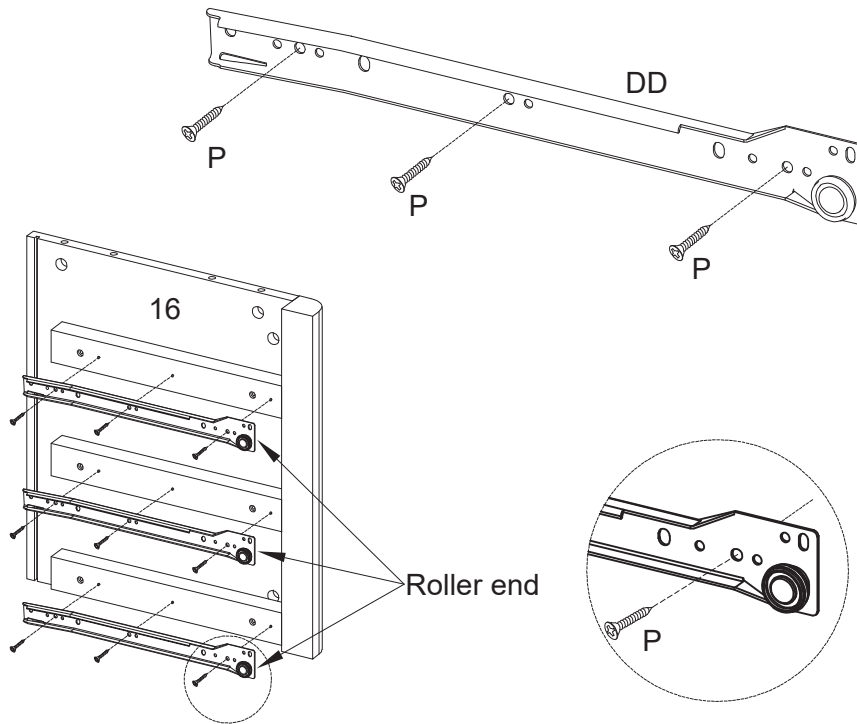
Hardware List

U			Plastic pivot	2 pcs
V			magnetic Catch latch	1 pc
W		Ø3x15mm	Screw	4 pcs
X			Hinge	1 pc
Y			Hinge	1 pc
Z			strike plate	1 pc
AA		Ø6x25mm	Bolt	12 pcs
BB		Ø4x38mm	Screw	24 pcs
CC		12"	Left Glide Track	3 pcs
DD		12"	Right Glide Track	3 pcs
EE		12"	Left Glide Runner	3 pcs
FF		12"	Right Glide Runner	3 pcs
GG			USB Interface	1 pc
HH			Tipping Restraint Hardware	2 sets
JJ			Power plug	1 pc
KK		Ø6x55mm	Bolt	18 pcs
LL		Ø4x15mm	Screw	24 pcs
MM			Angle Bracket	6 pcs

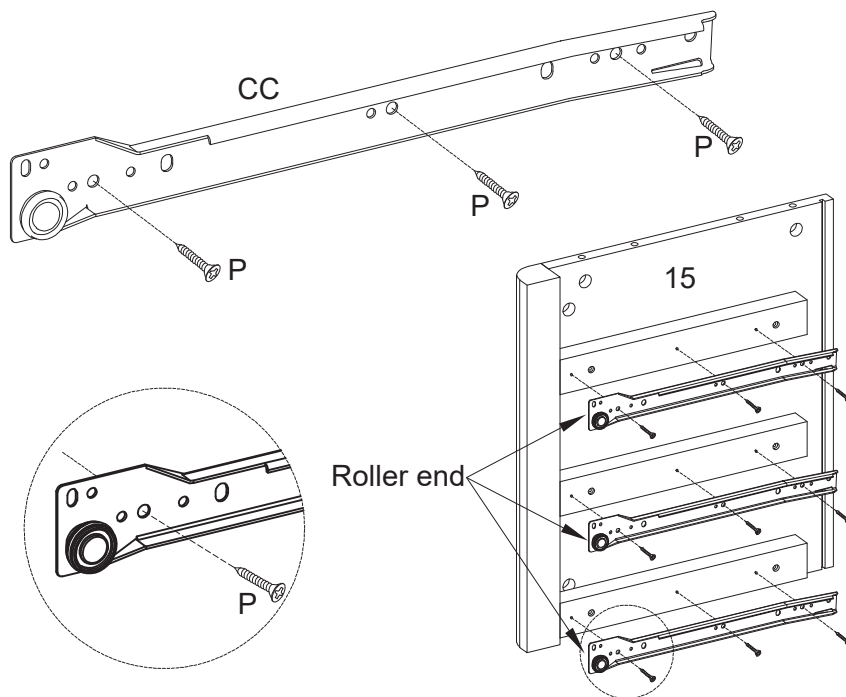


Philips head screwdriver required for assembly
(not included)

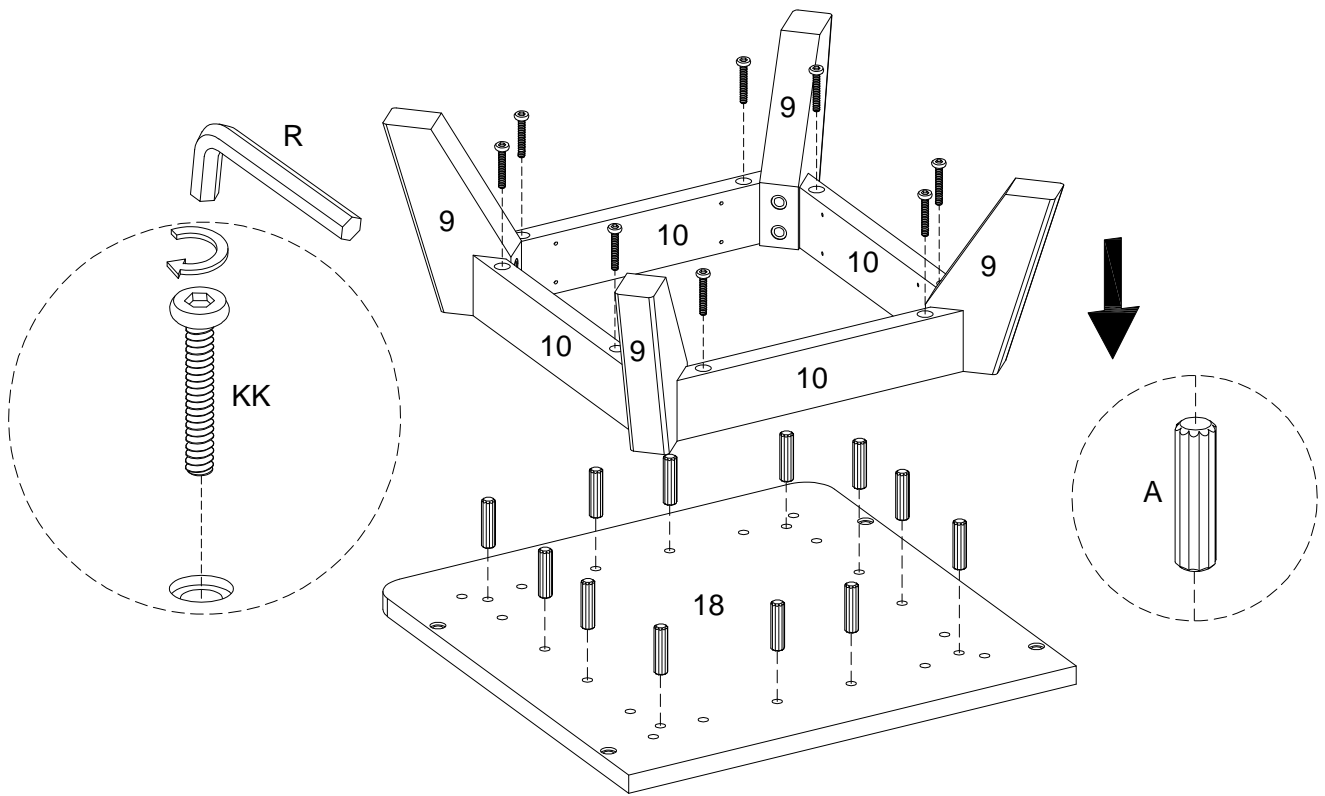
Step 1



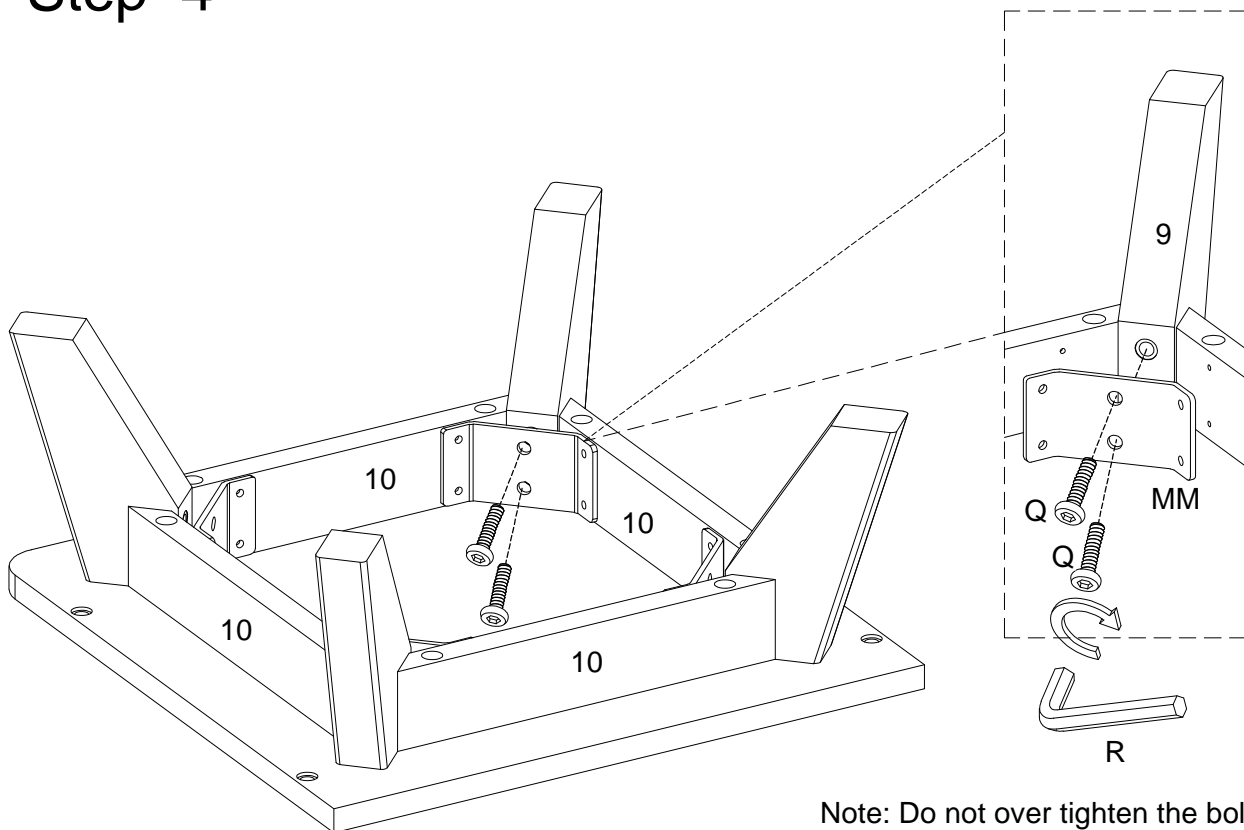
Step 2



Step 3

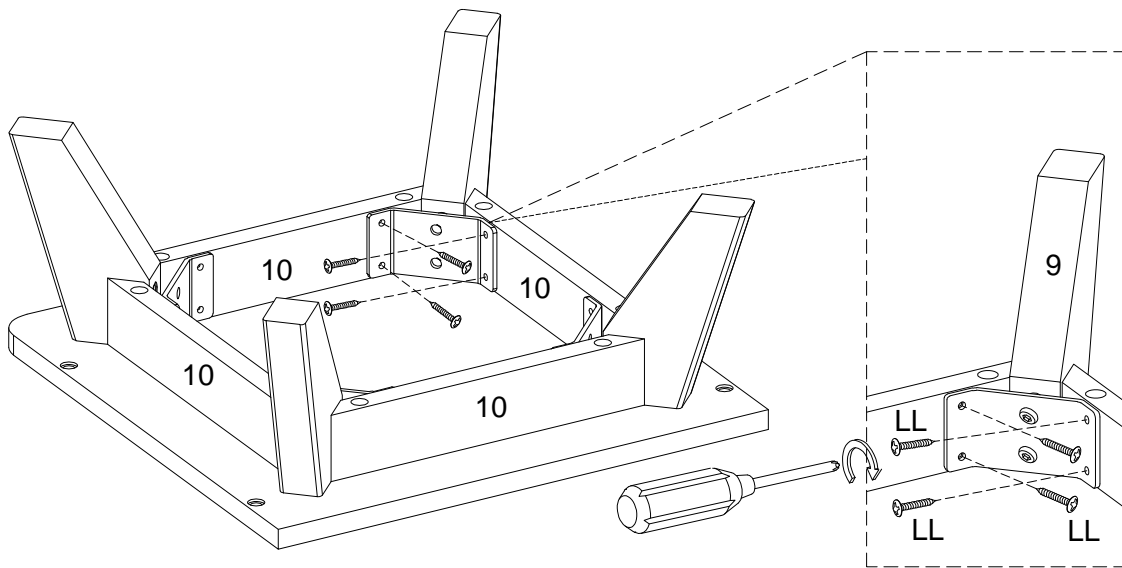


Step 4

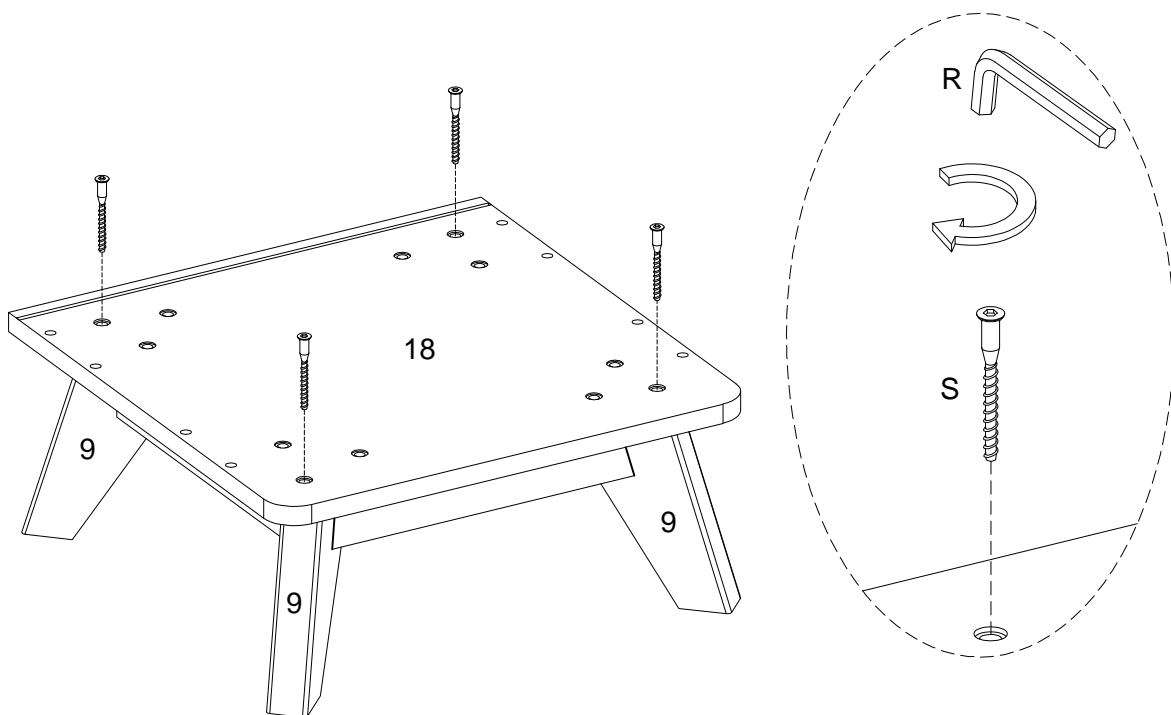


Note: Do not over tighten the bolts.

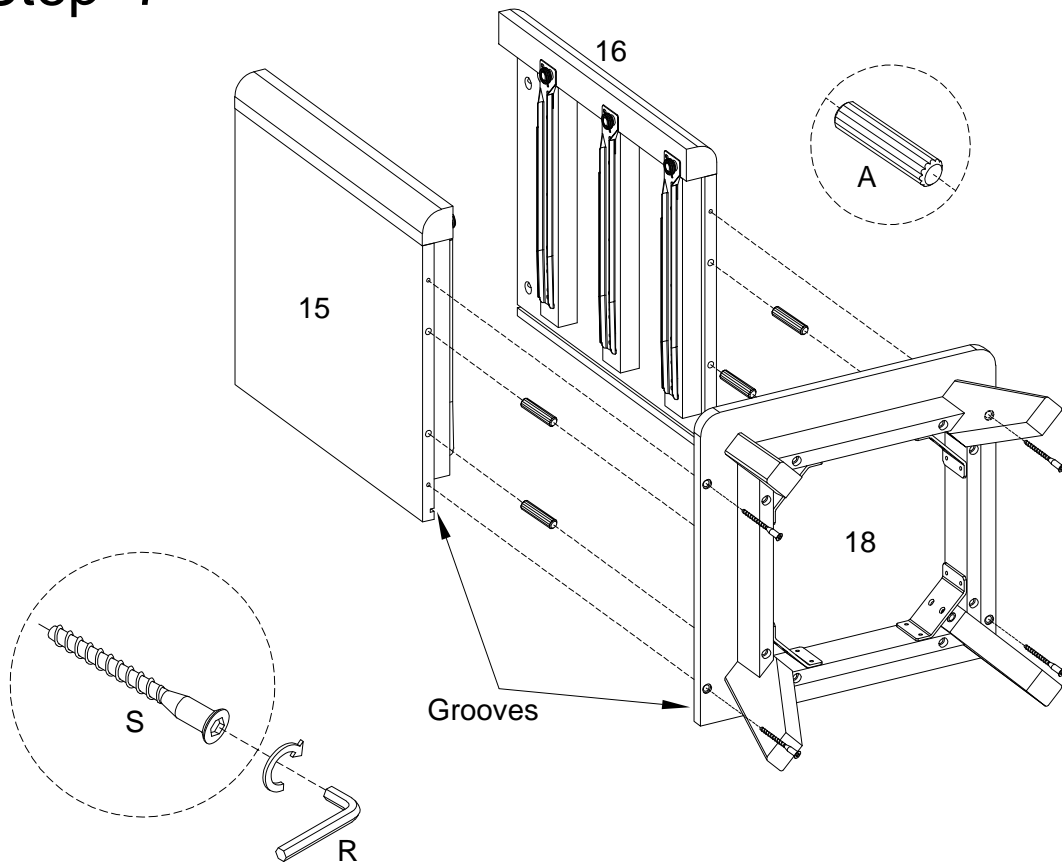
Step 5



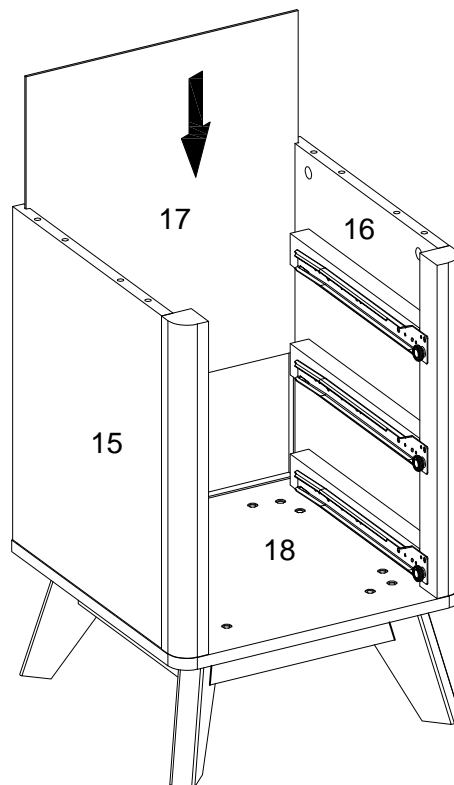
Step 6



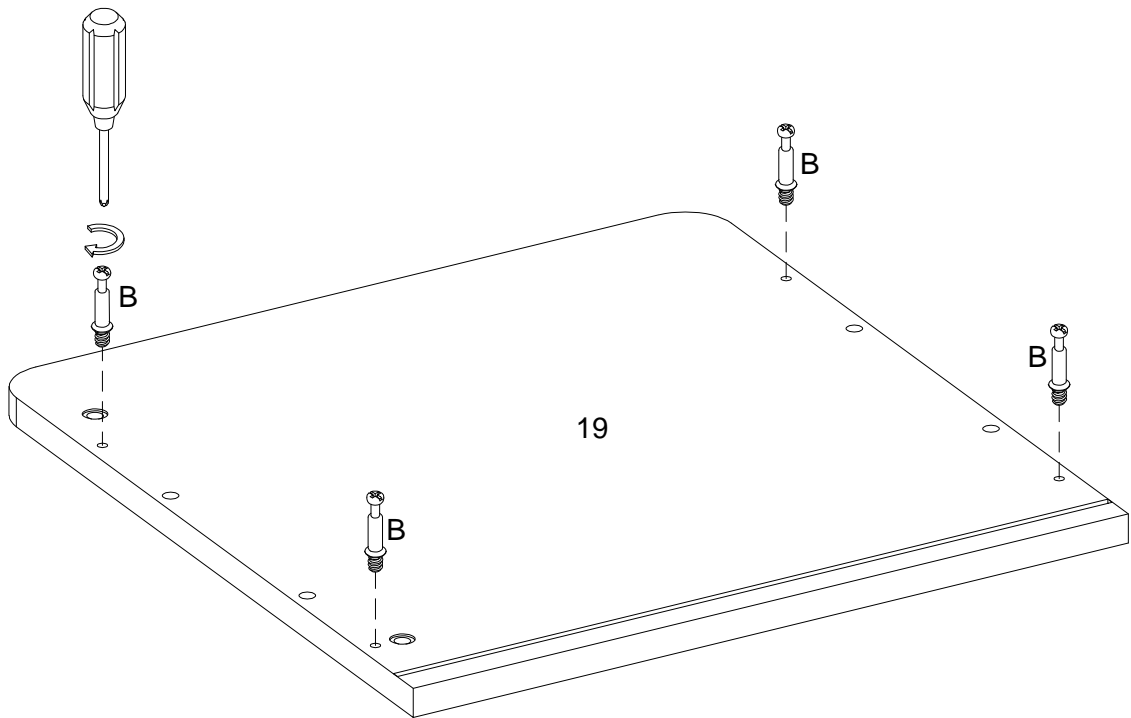
Step 7



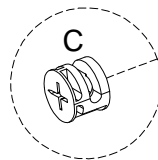
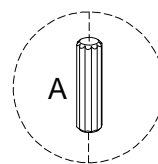
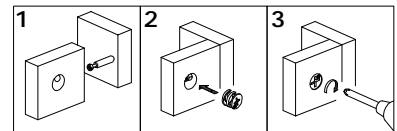
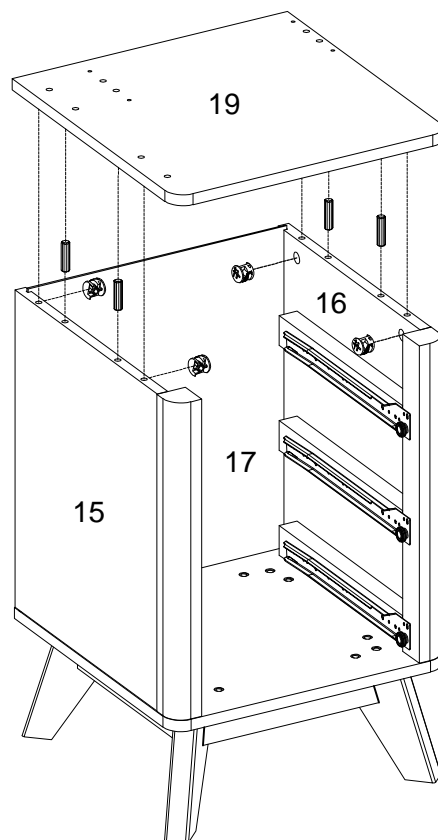
Step 8



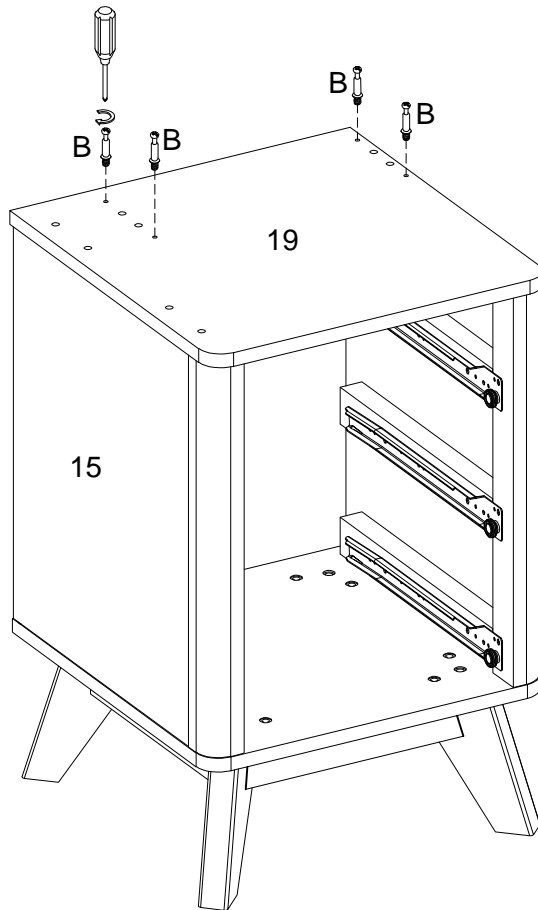
Step 9



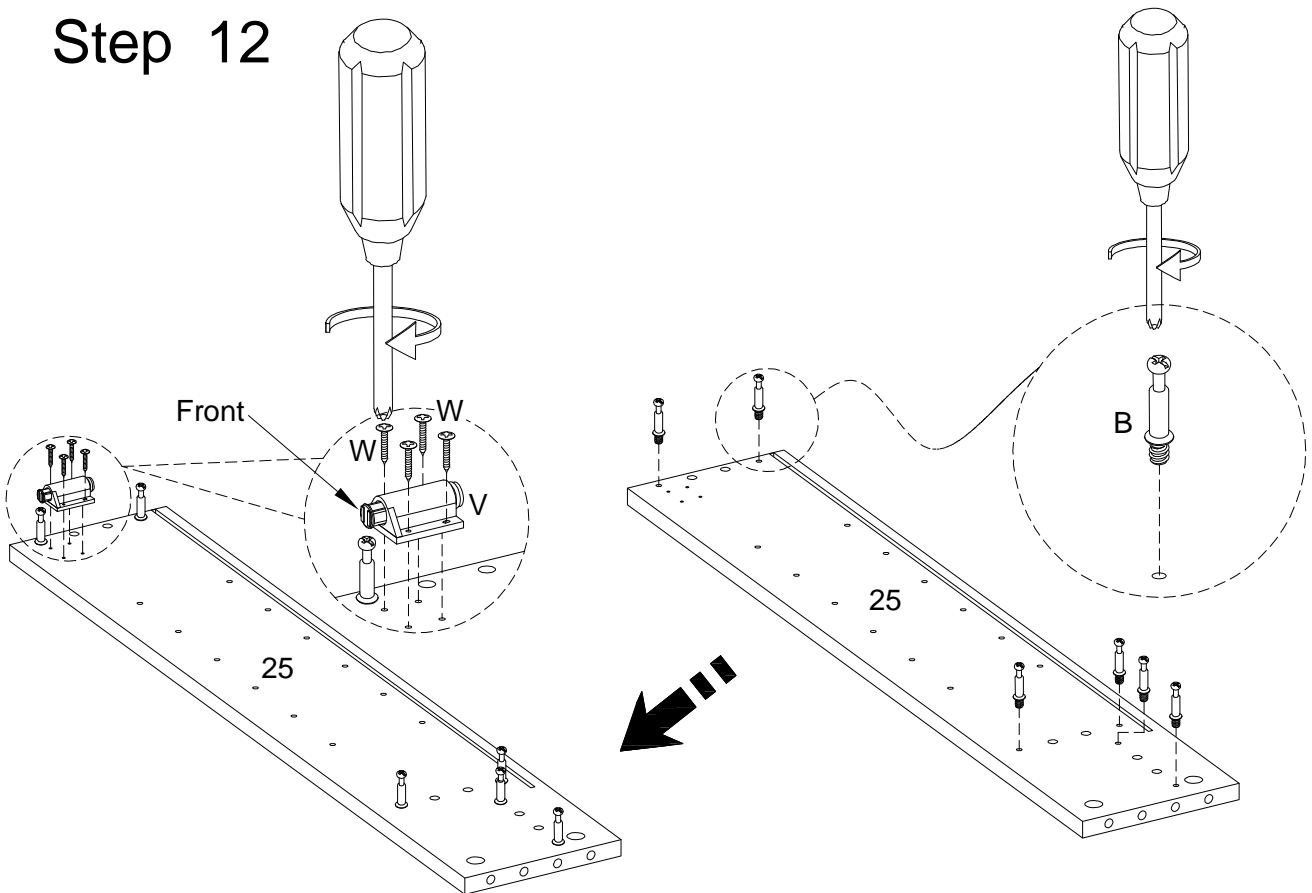
Step 10



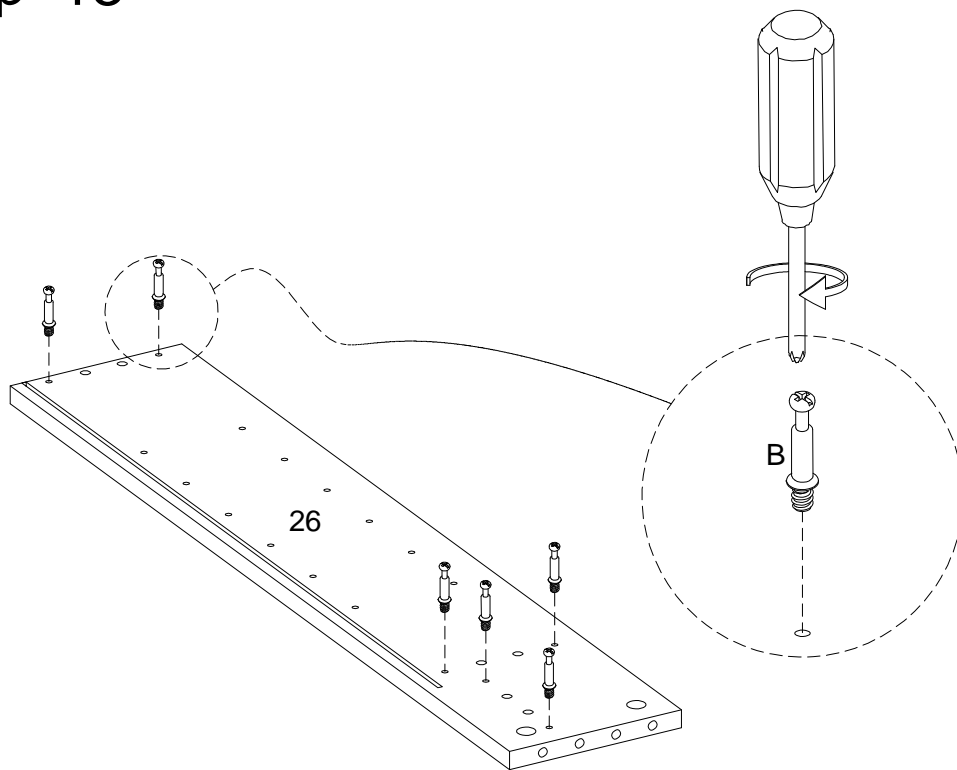
Step 11



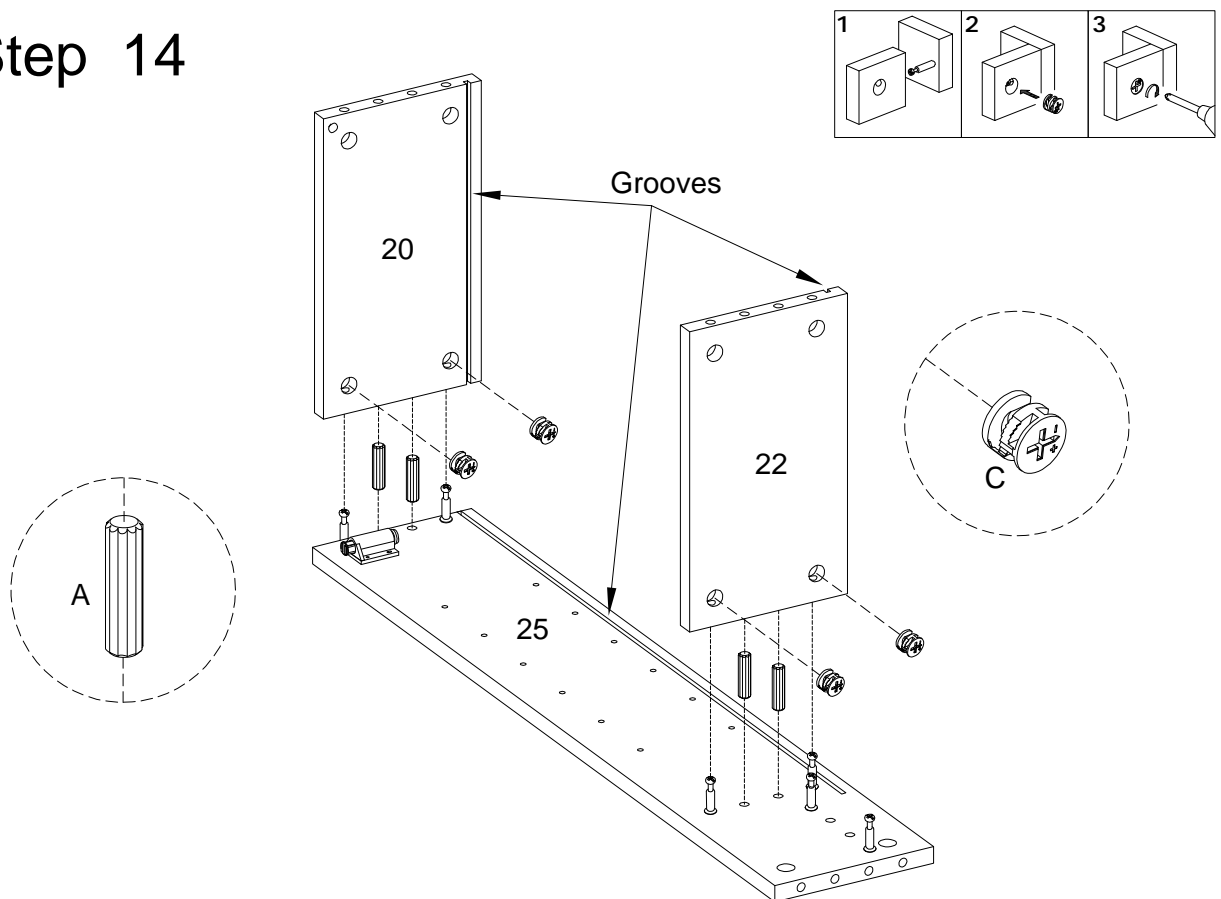
Step 12



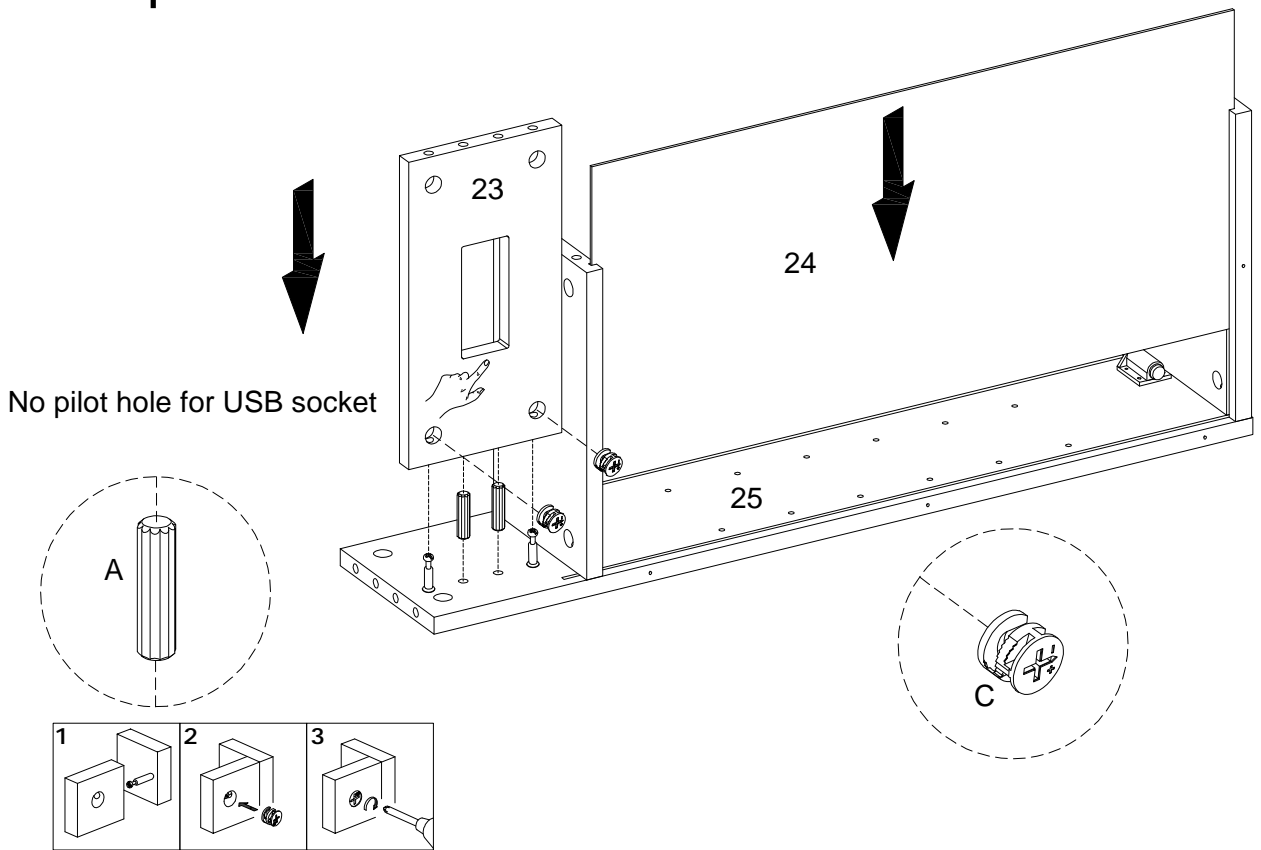
Step 13



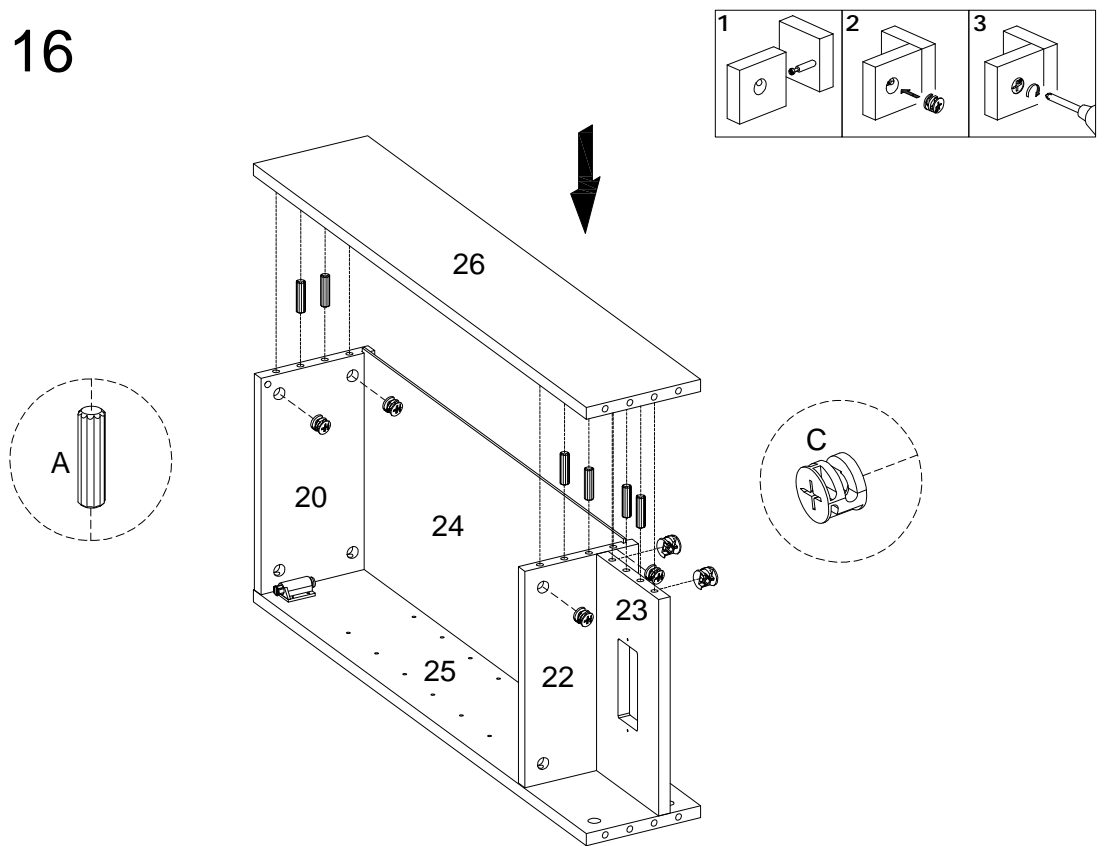
Step 14



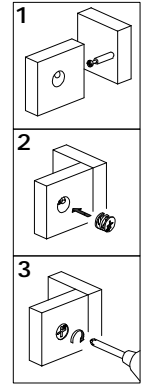
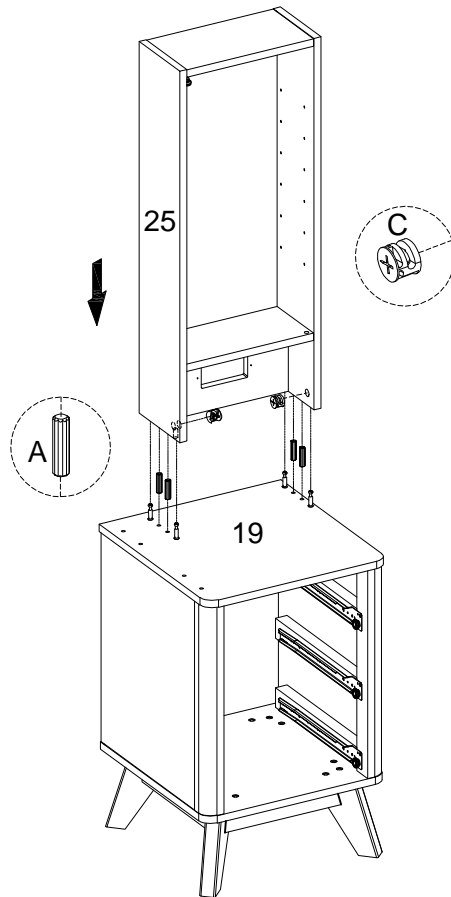
Step 15



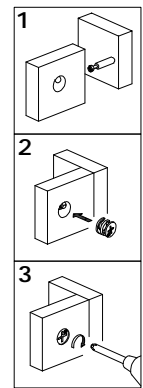
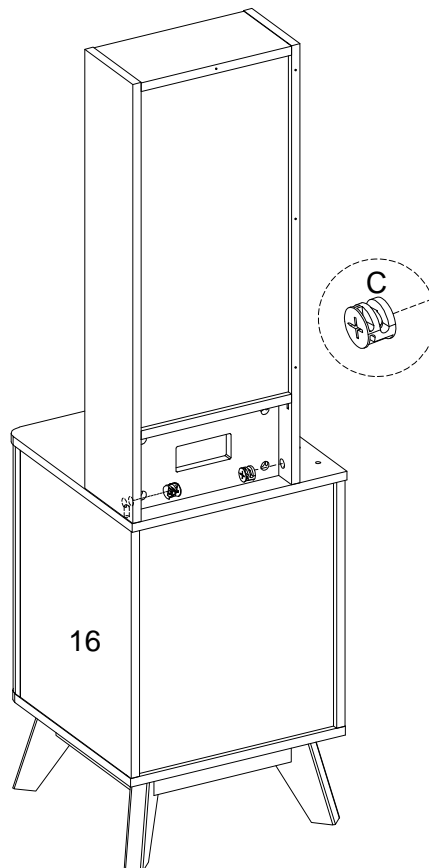
Step 16



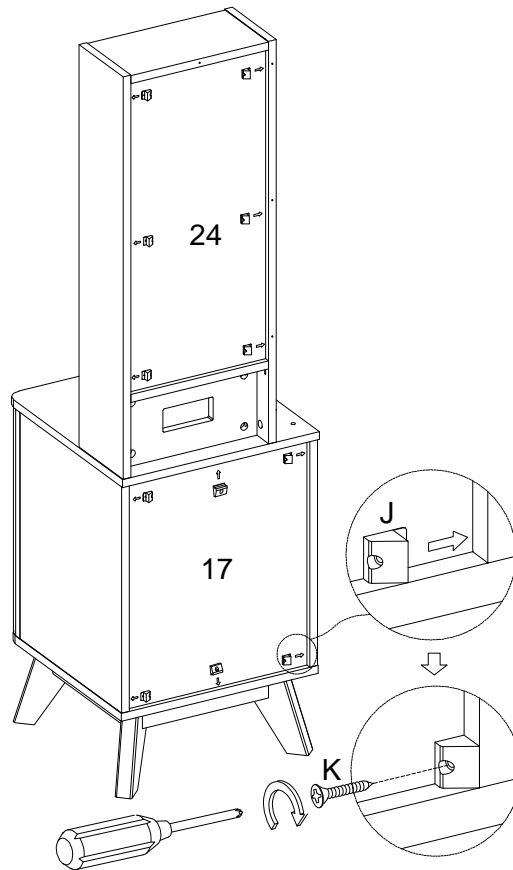
Step 17



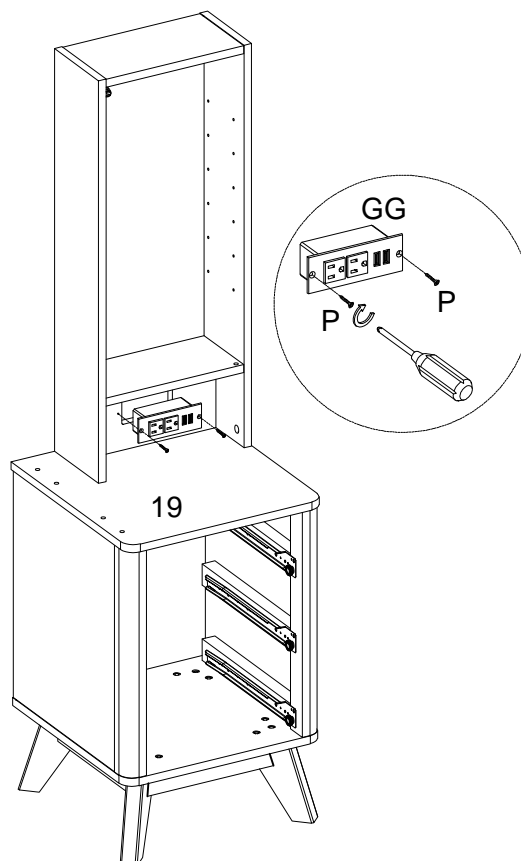
Step 18



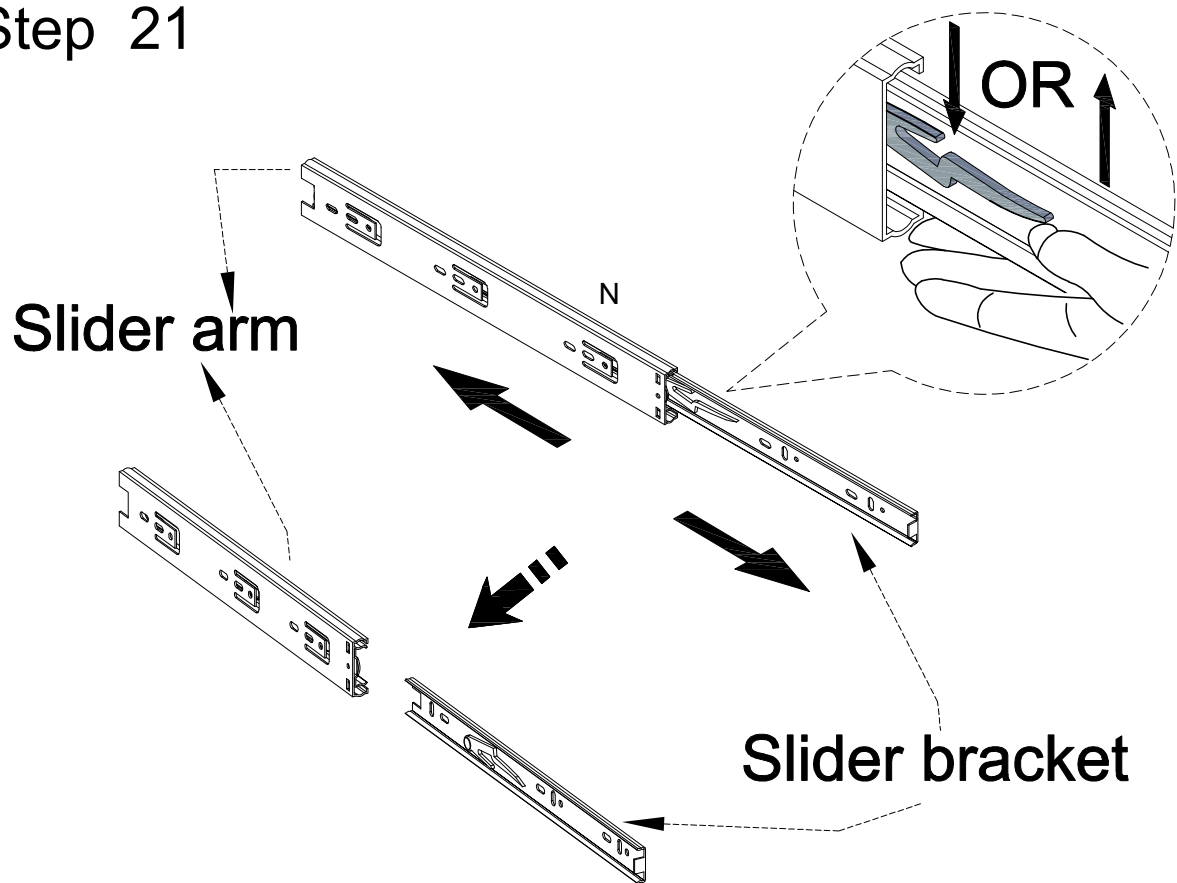
Step 19



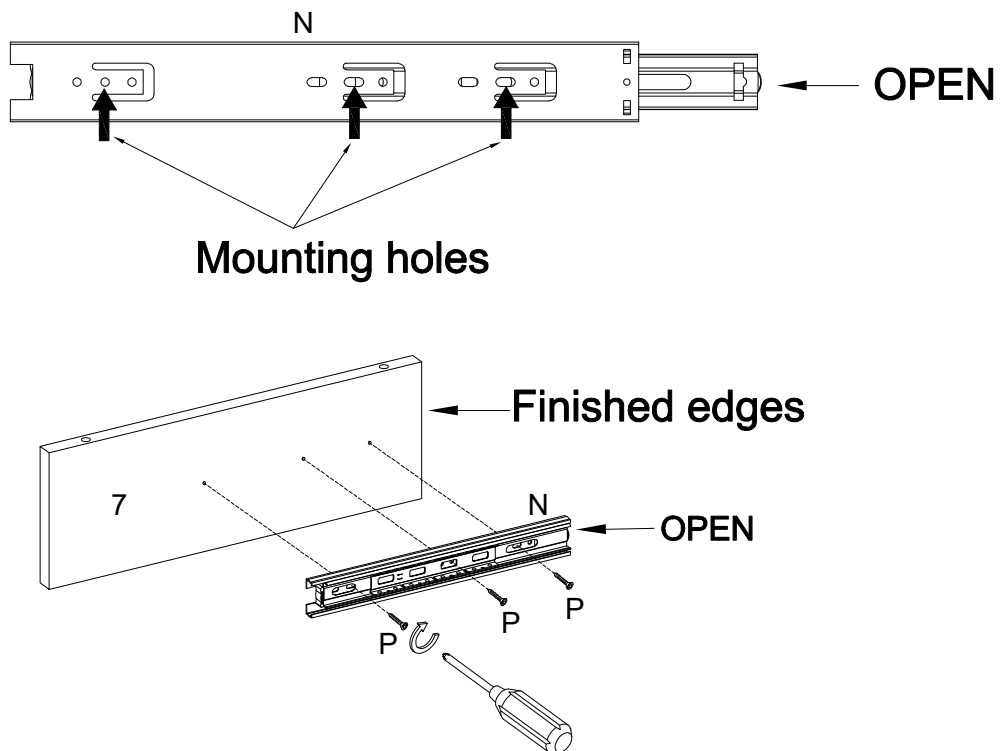
Step 20



Step 21

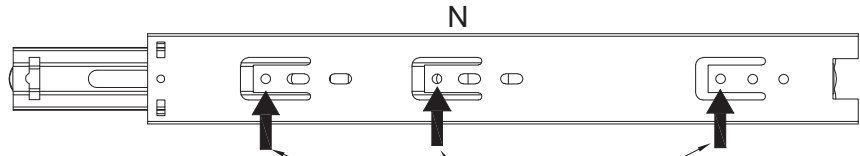


Step 22



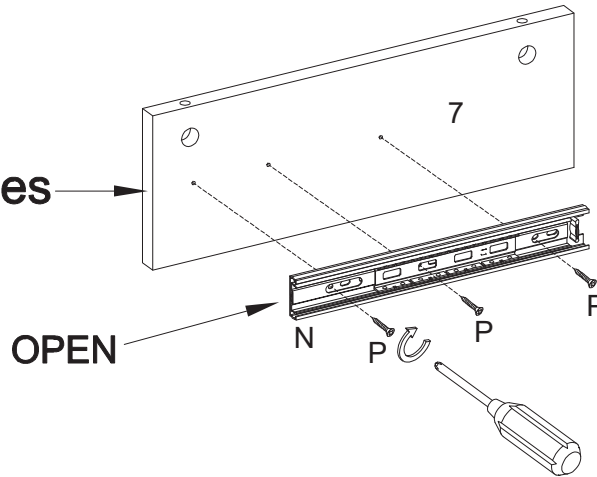
Step 23

OPEN →

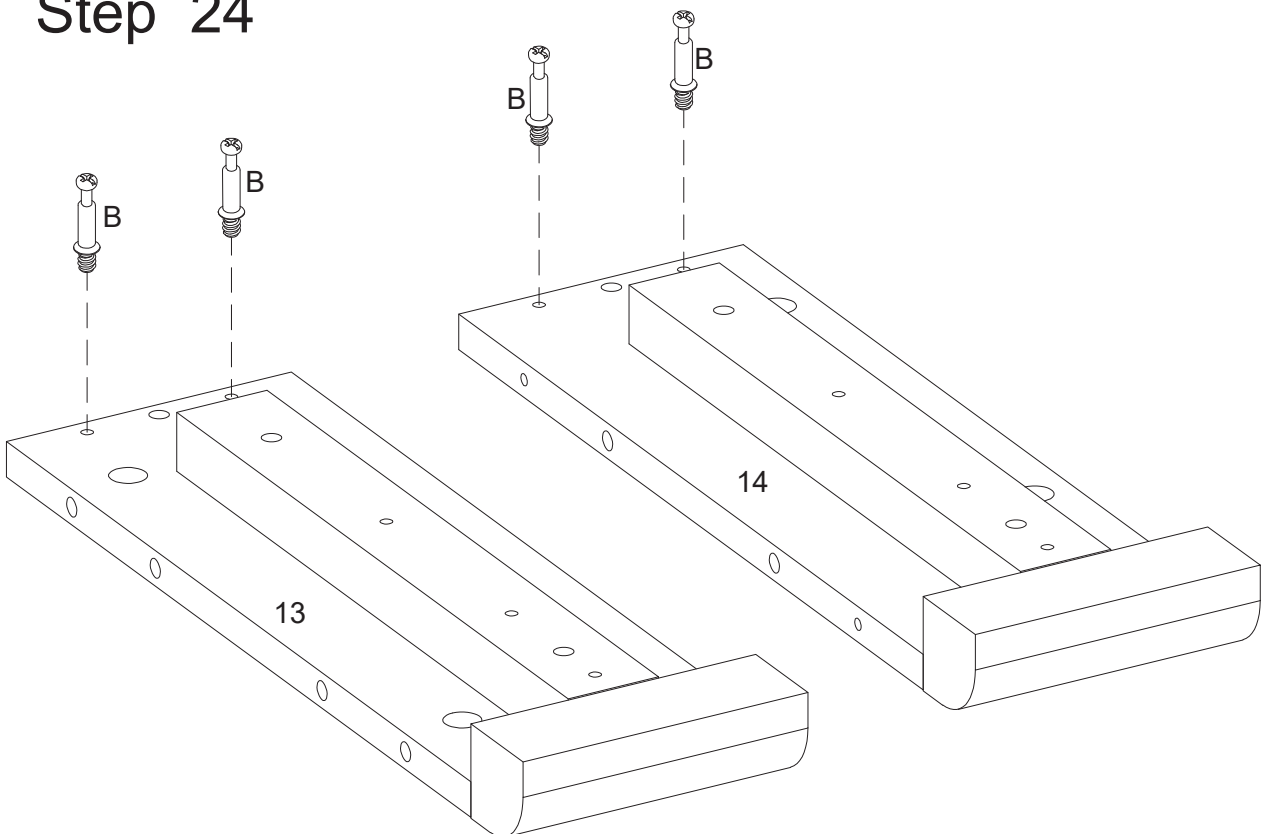


Mounting holes

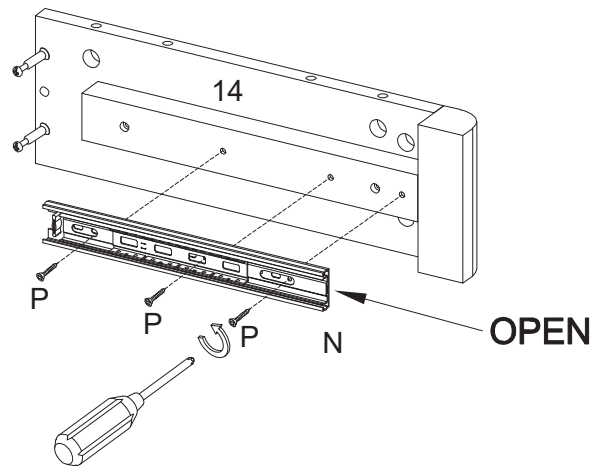
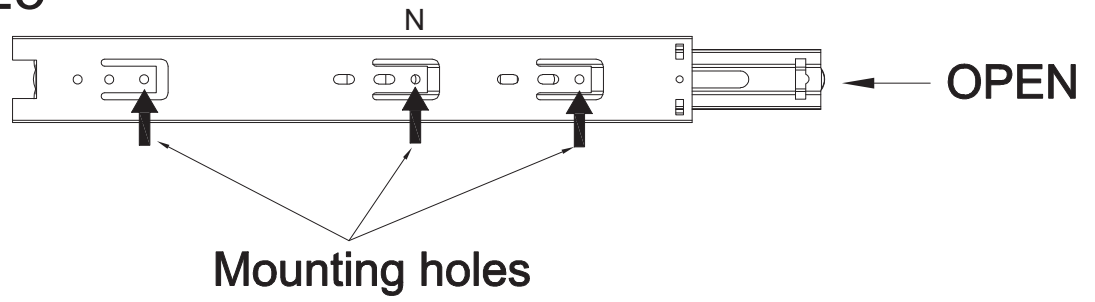
Finished edges →



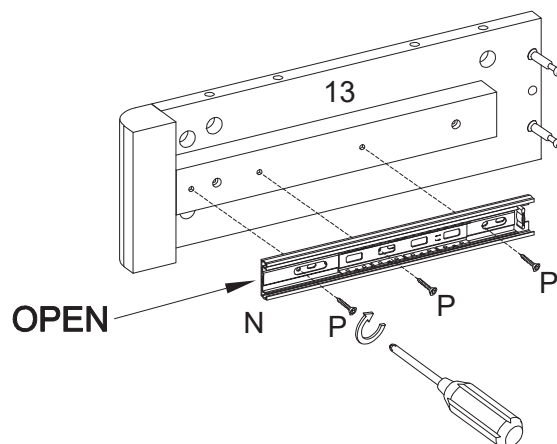
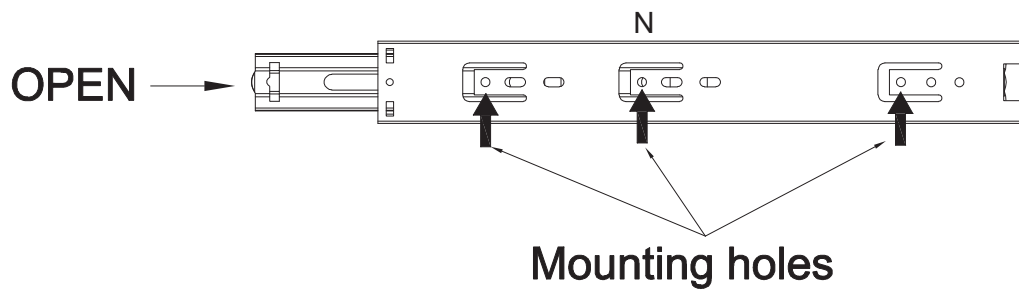
Step 24



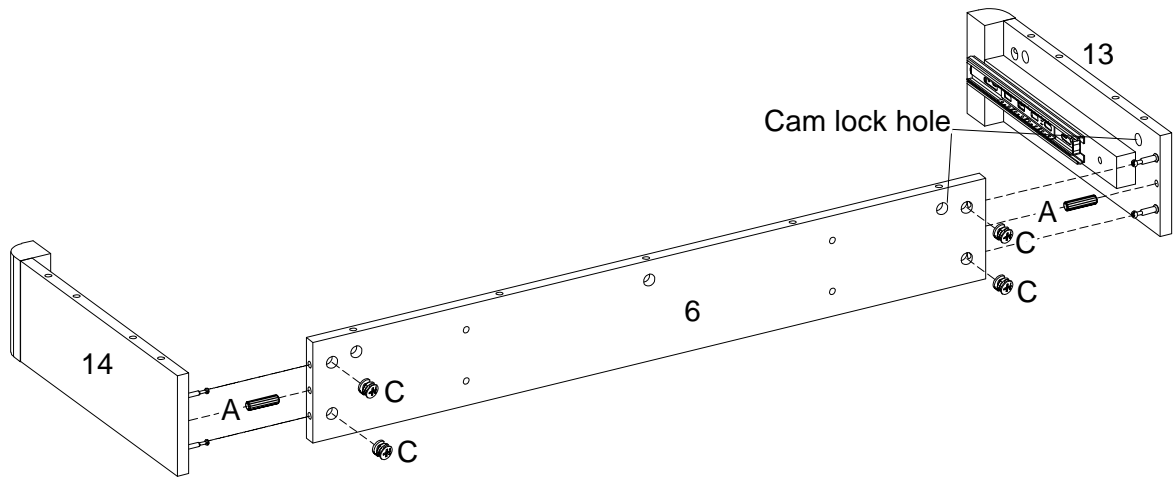
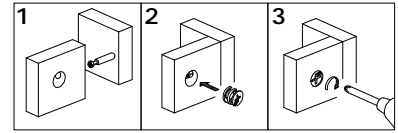
Step 25



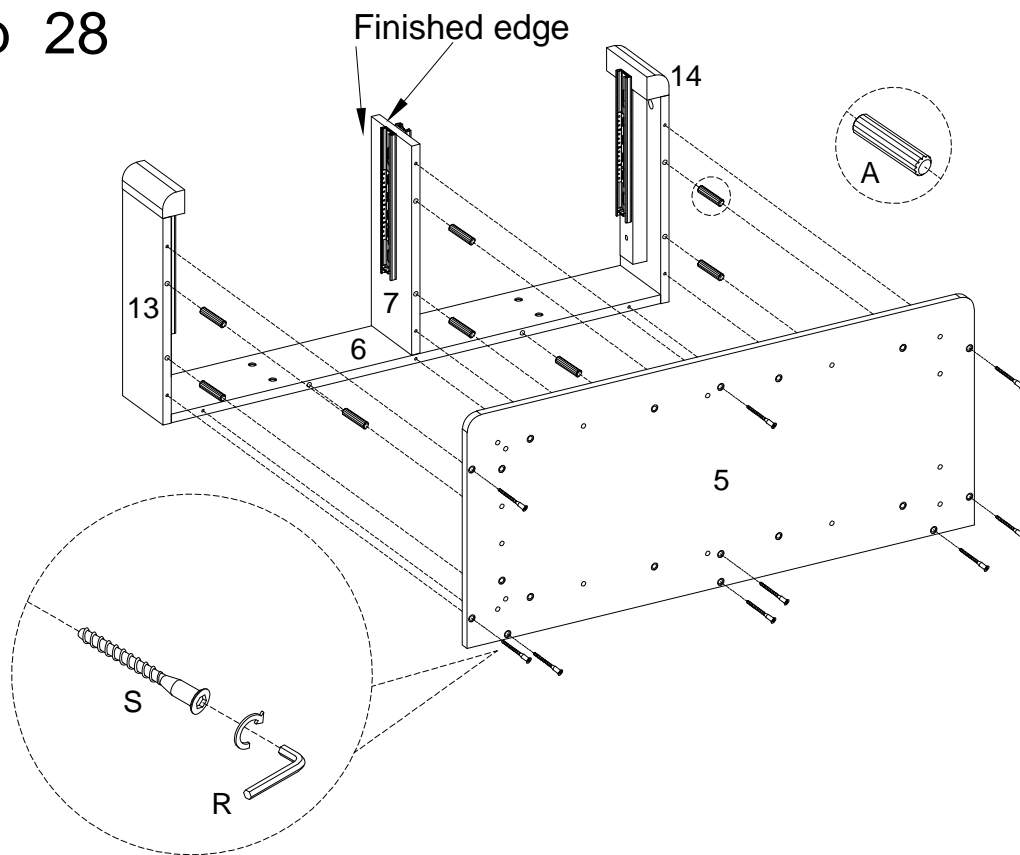
Step 26



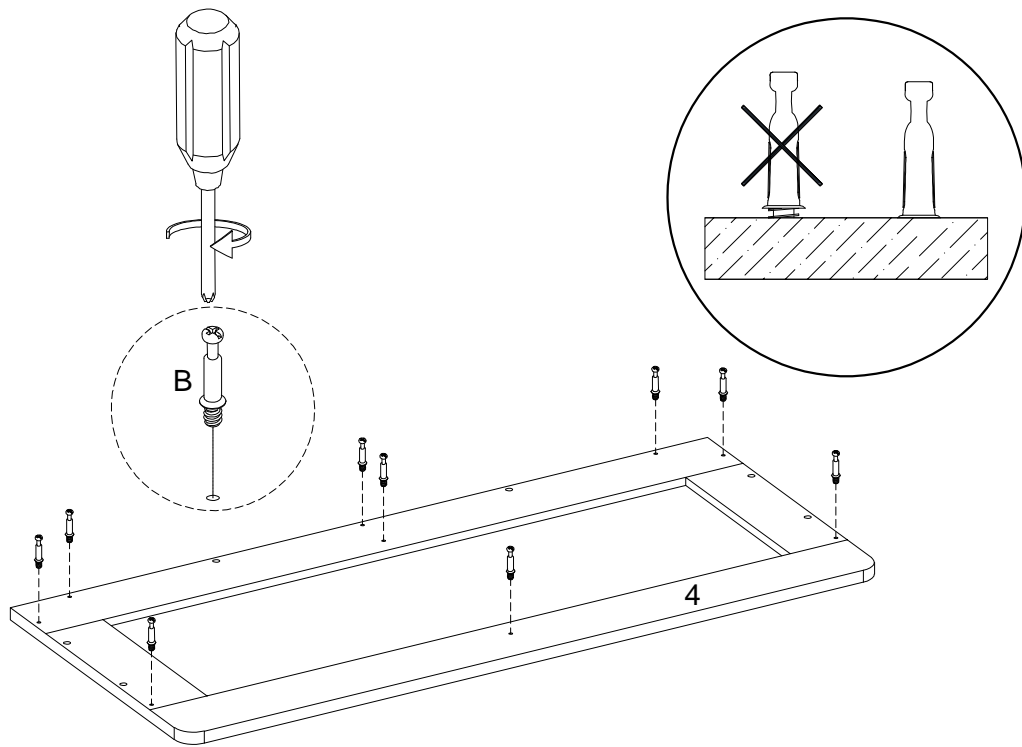
Step 27



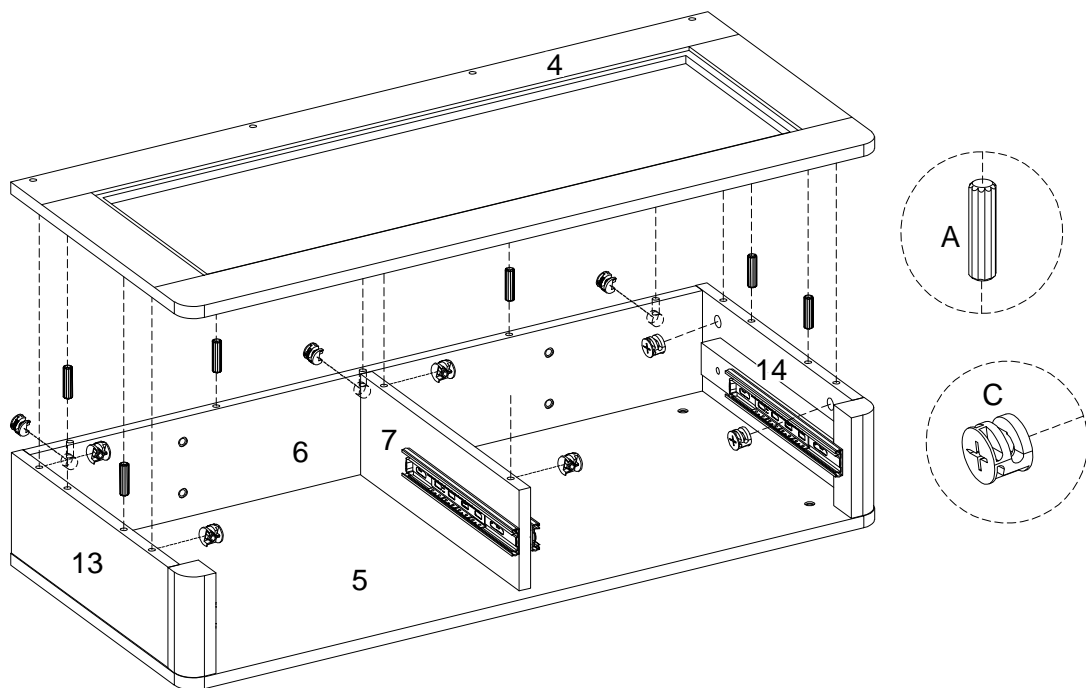
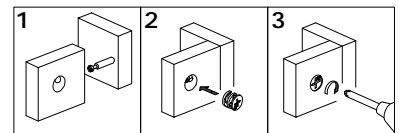
Step 28



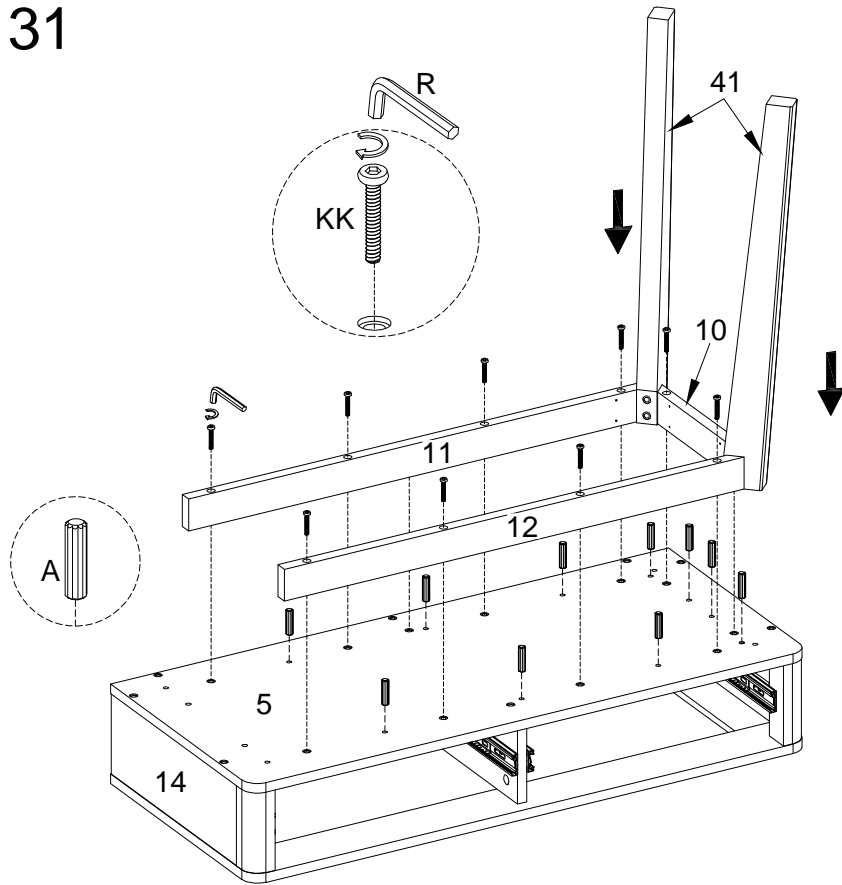
Step 29



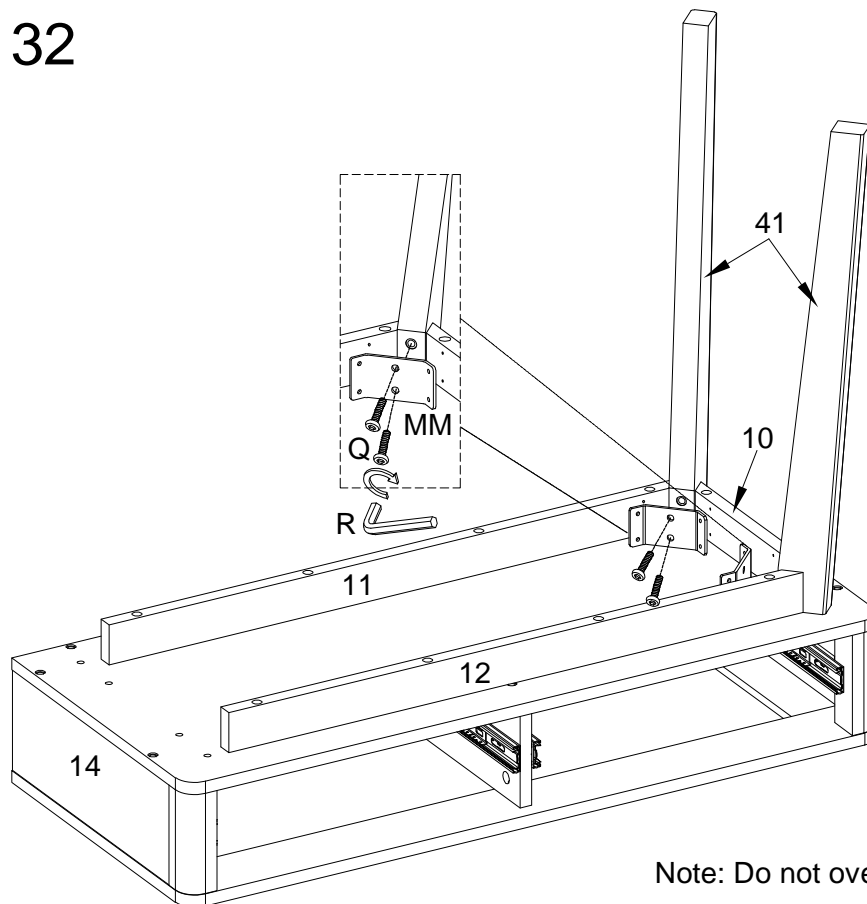
Step 30



Step 31

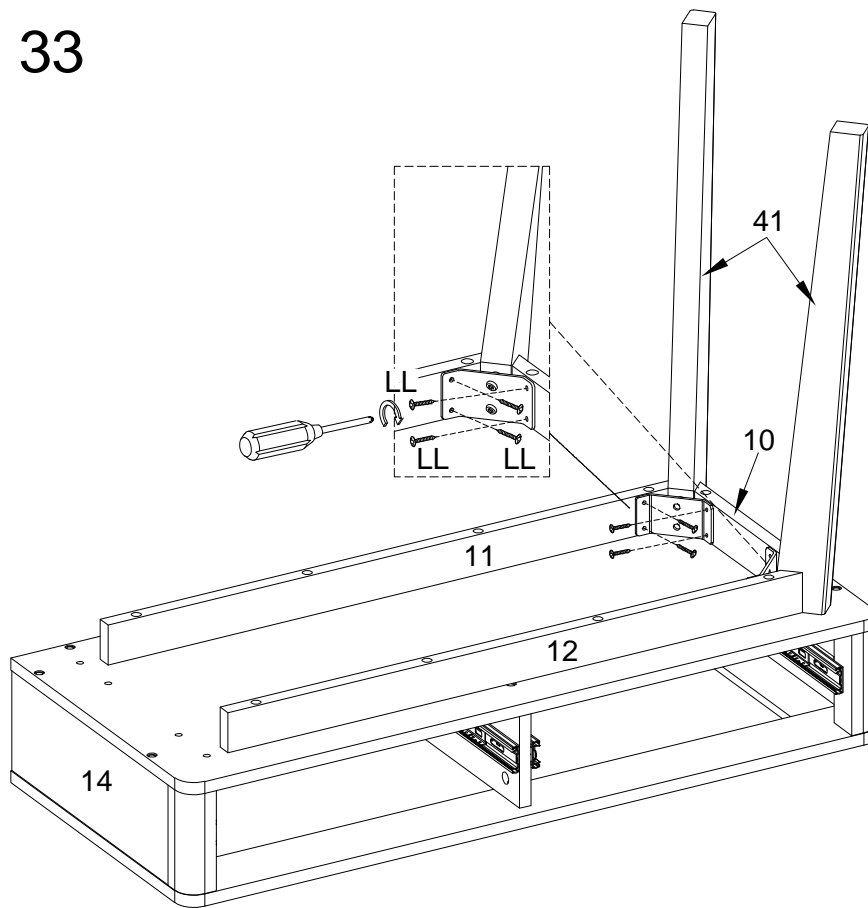


Step 32

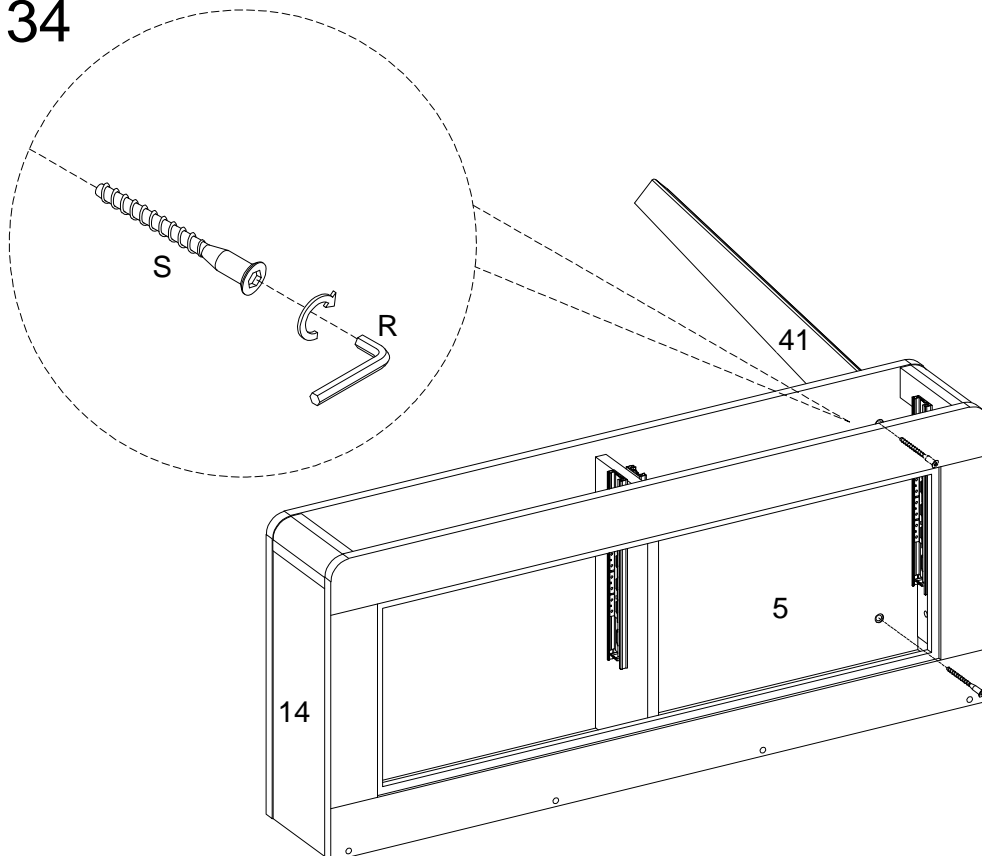


Note: Do not over tighten the bolts.

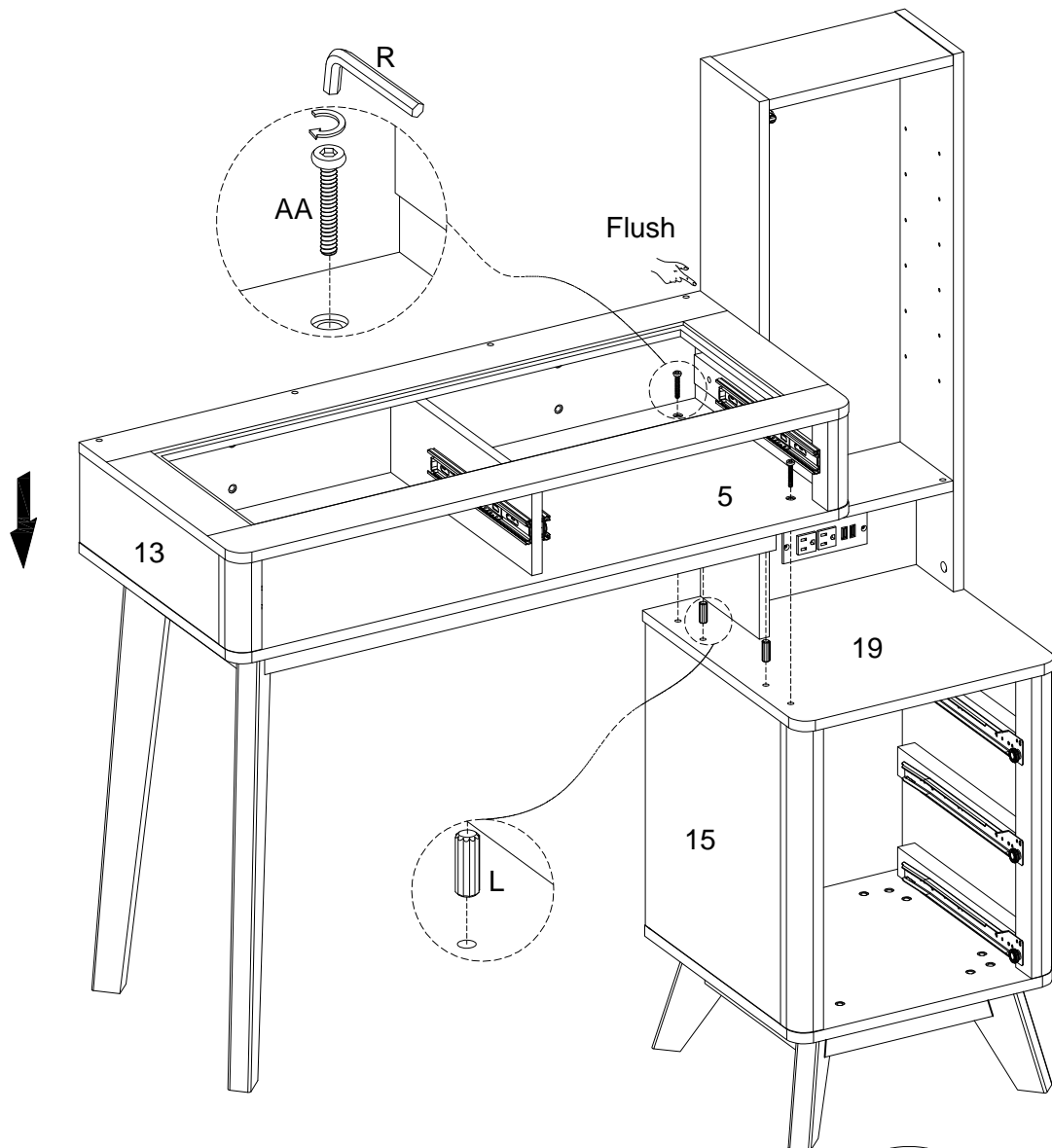
Step 33



Step 34

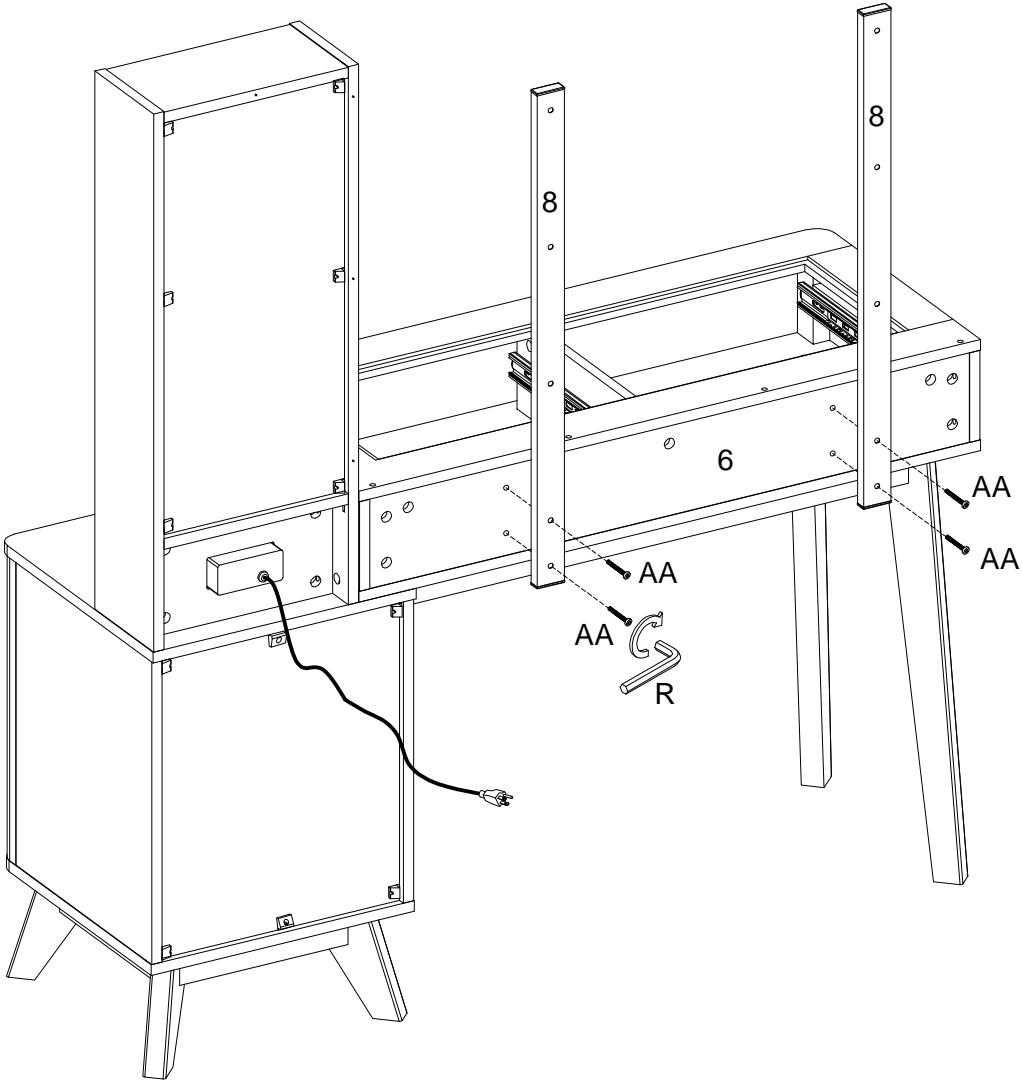


Step 35

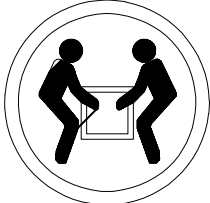
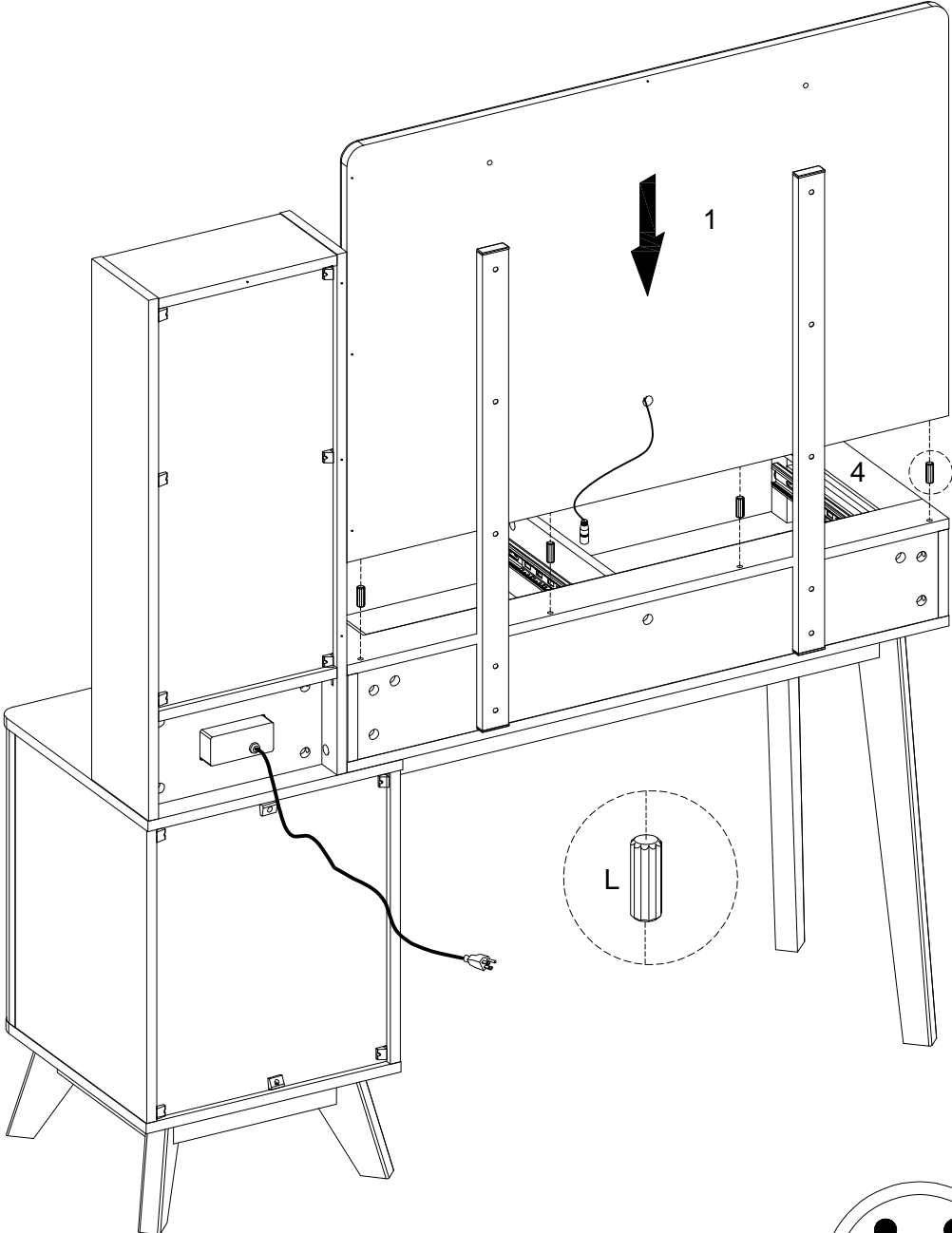


CAUTION: Heavy! You may need assistance with this step.

Step 36

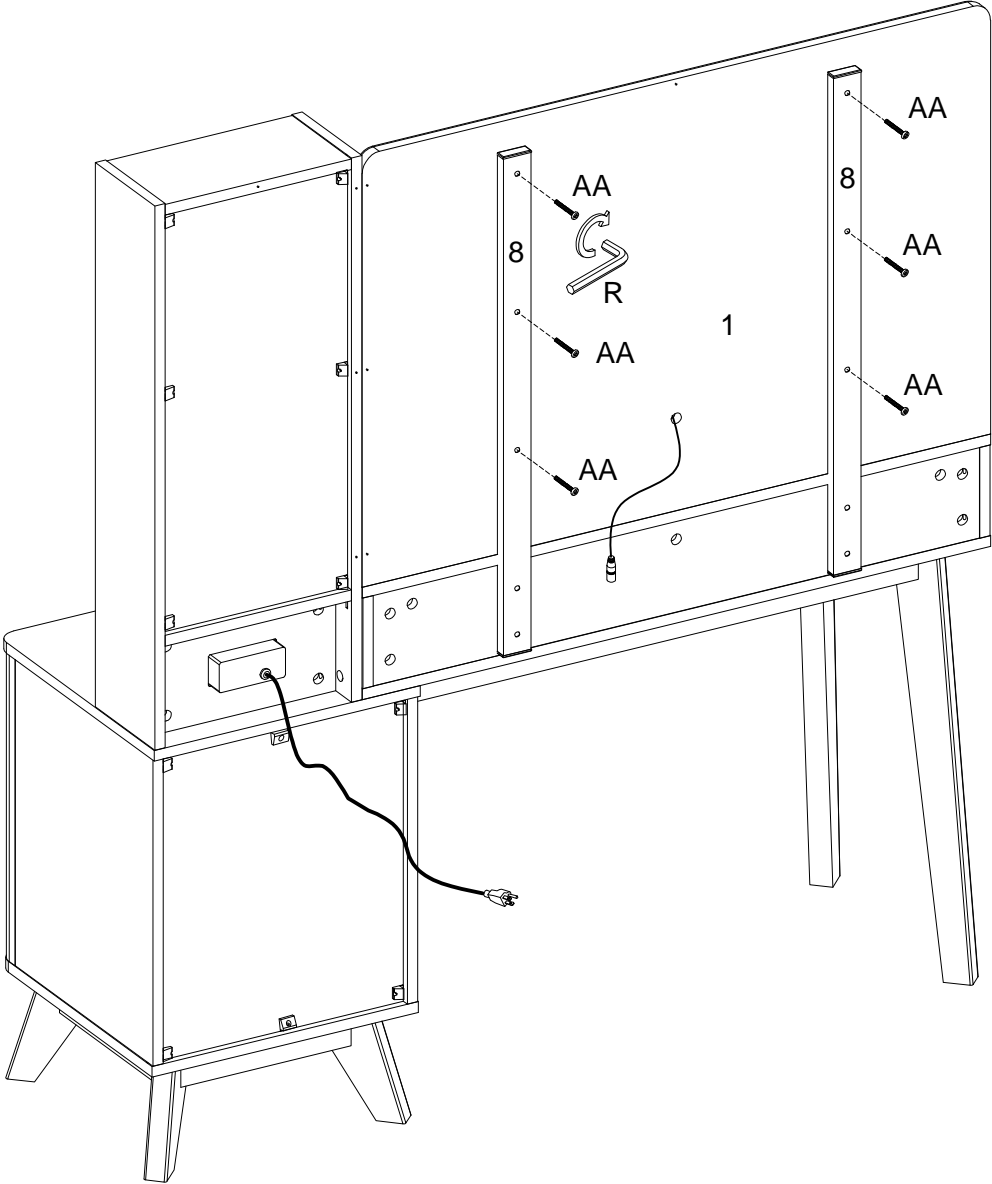


Step 37

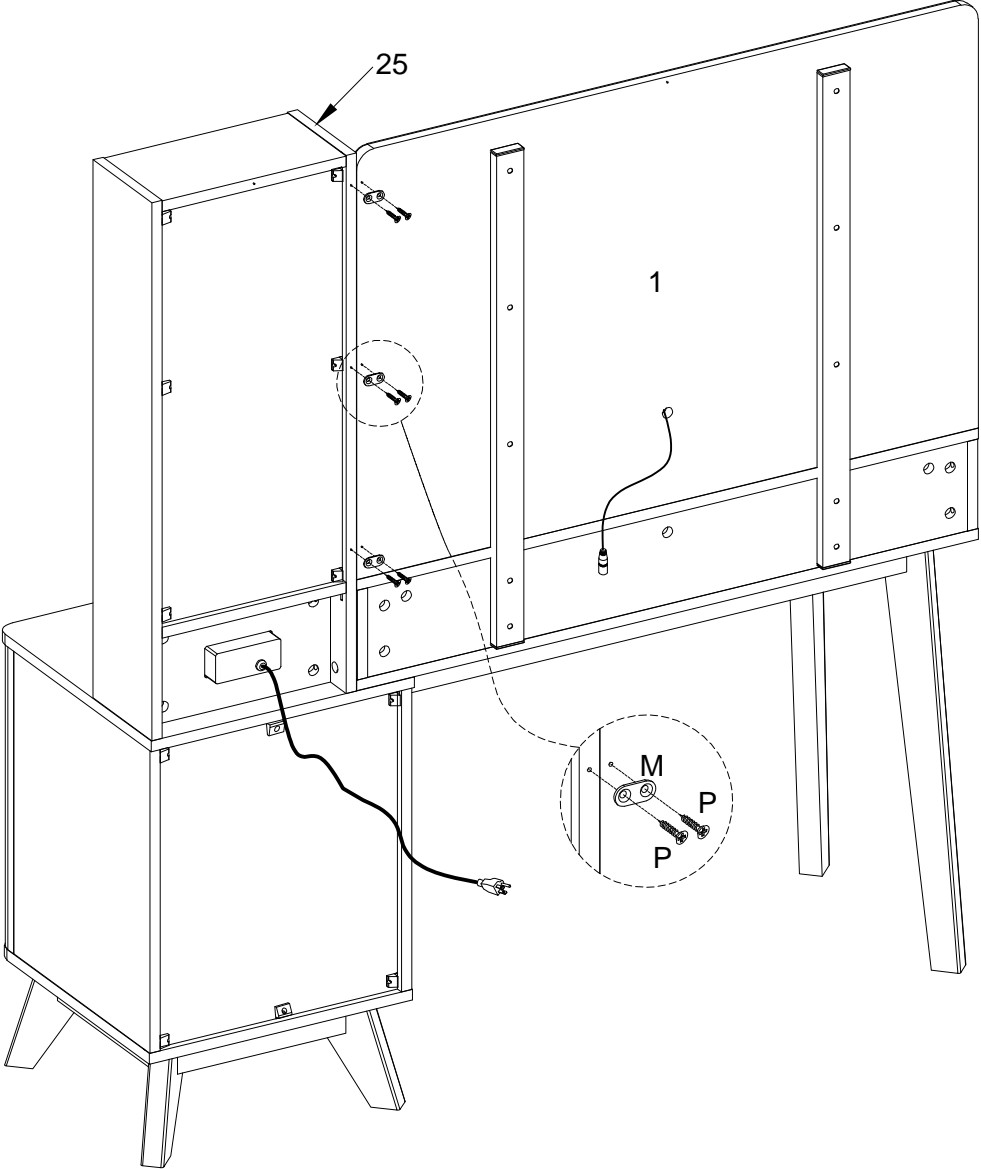


CAUTION: Heavy! You may need assistance with this step.

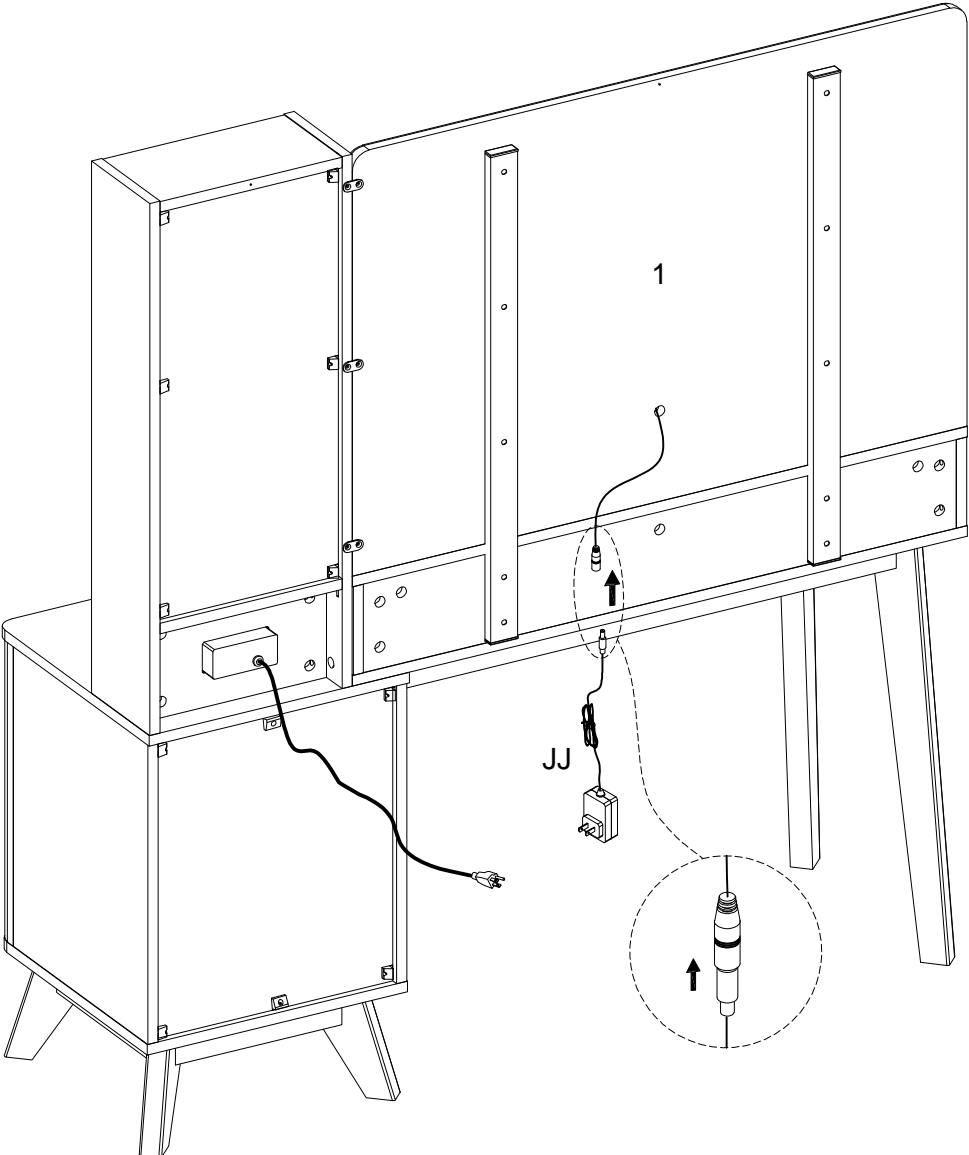
Step 38



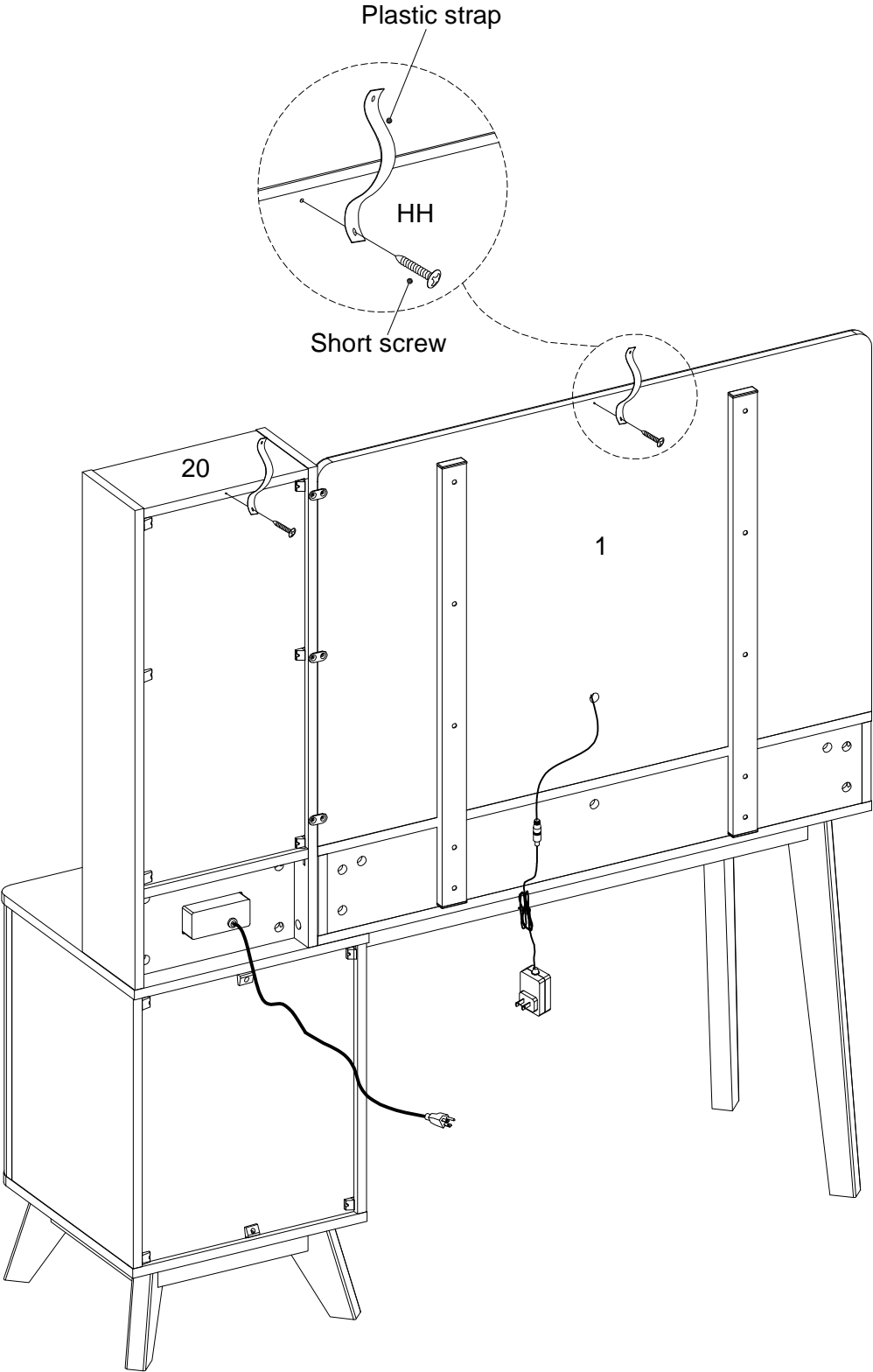
Step 39



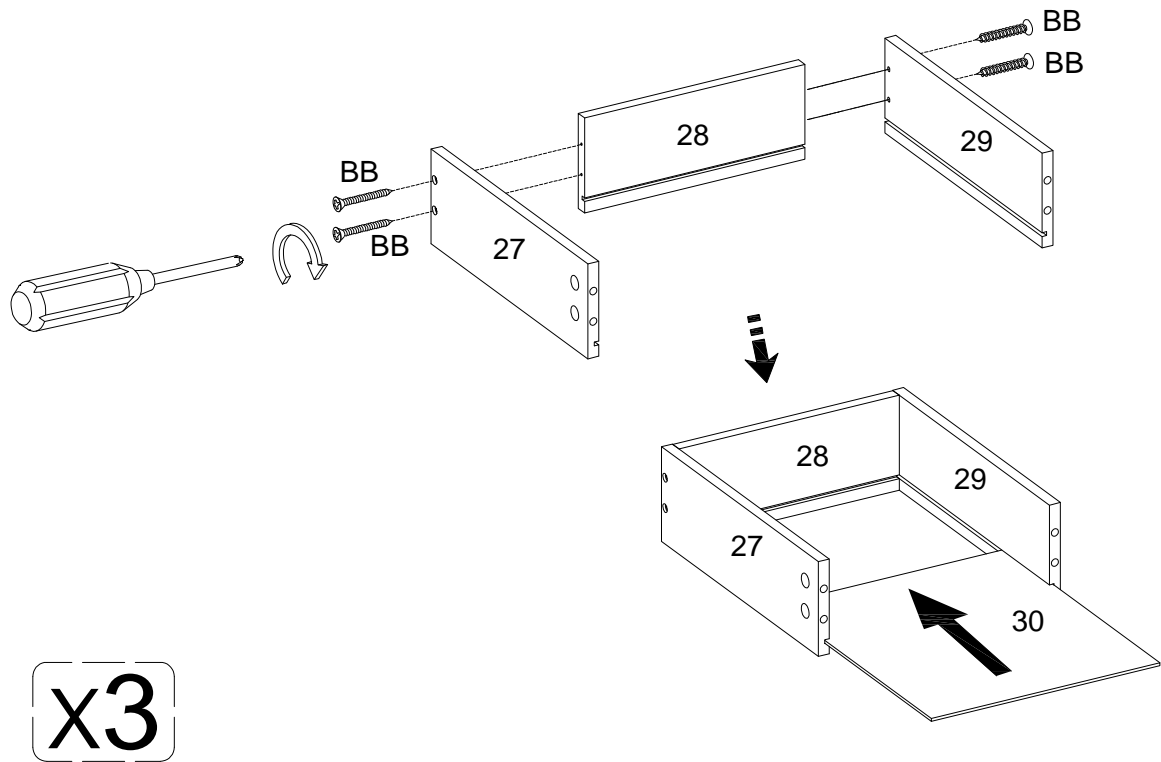
Step 40



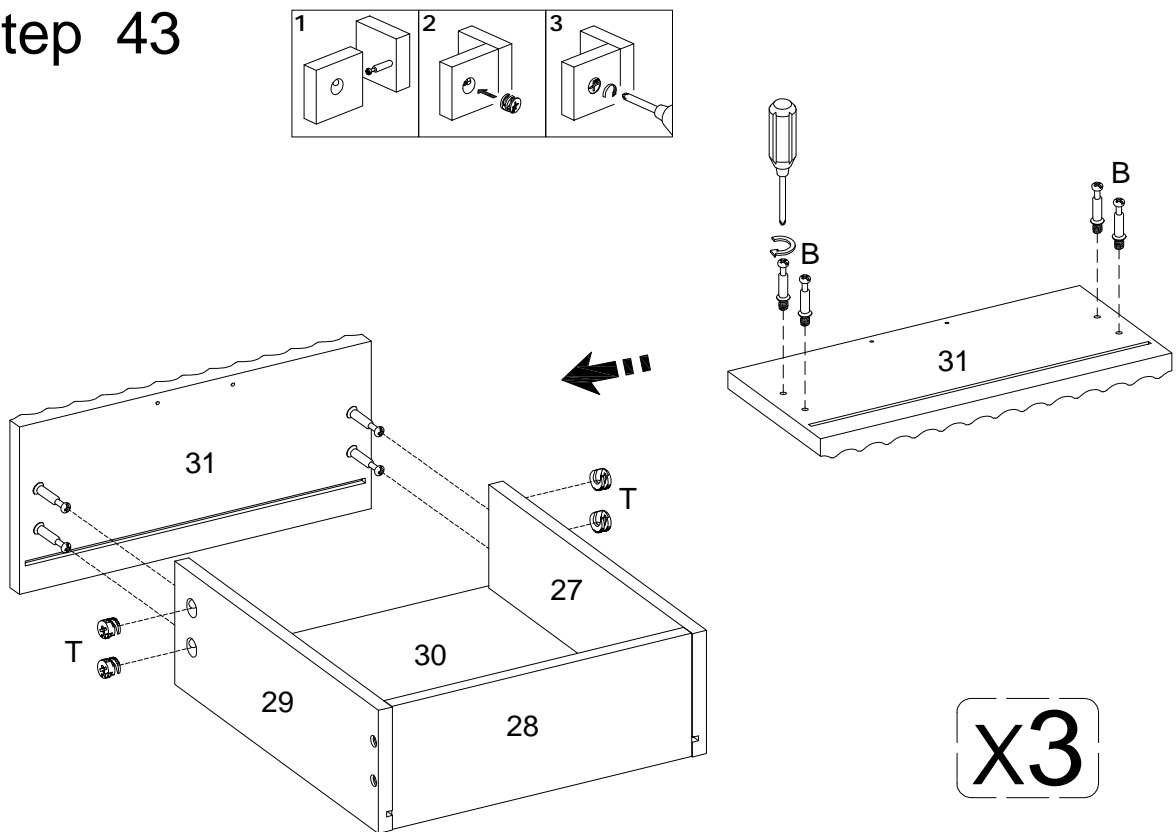
Step 41



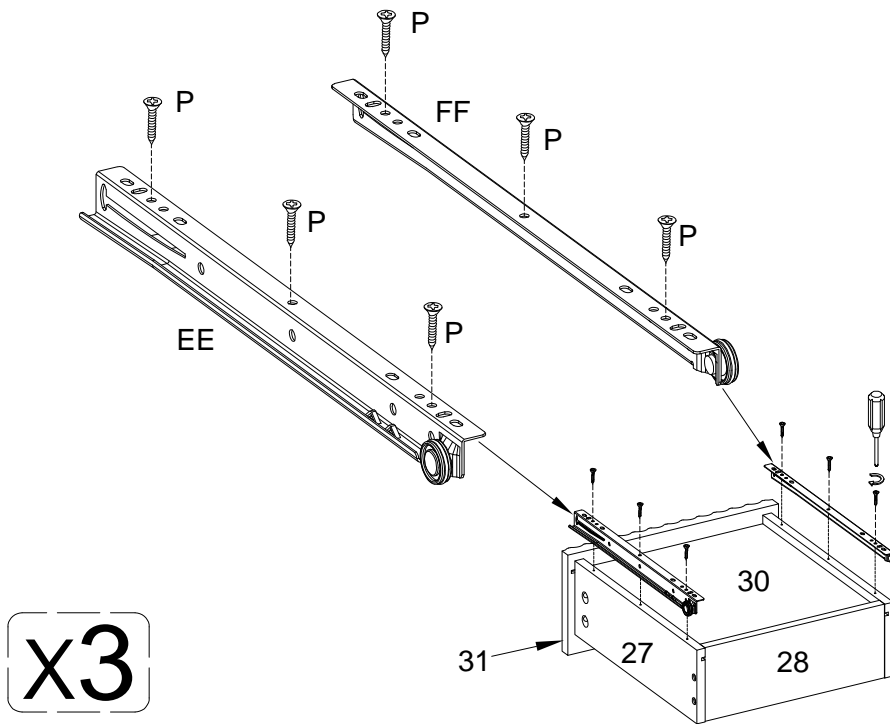
Step 42



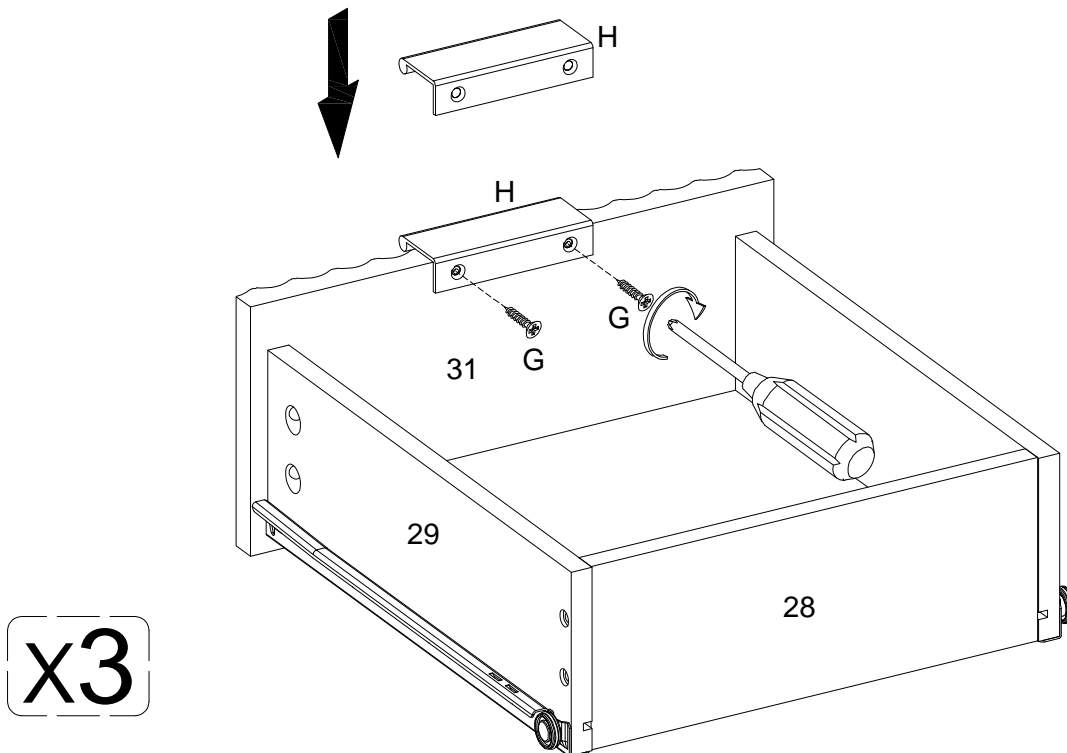
Step 43



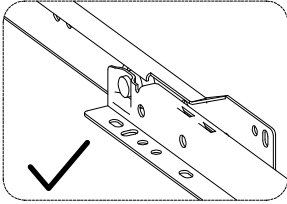
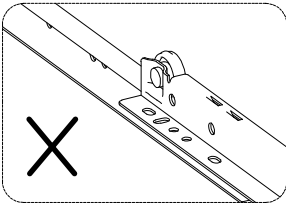
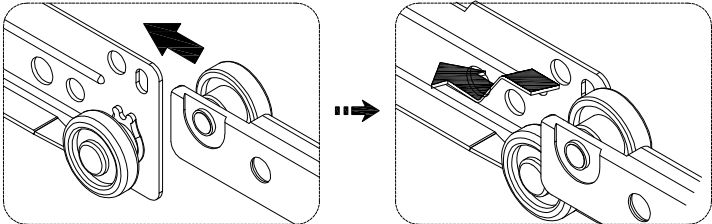
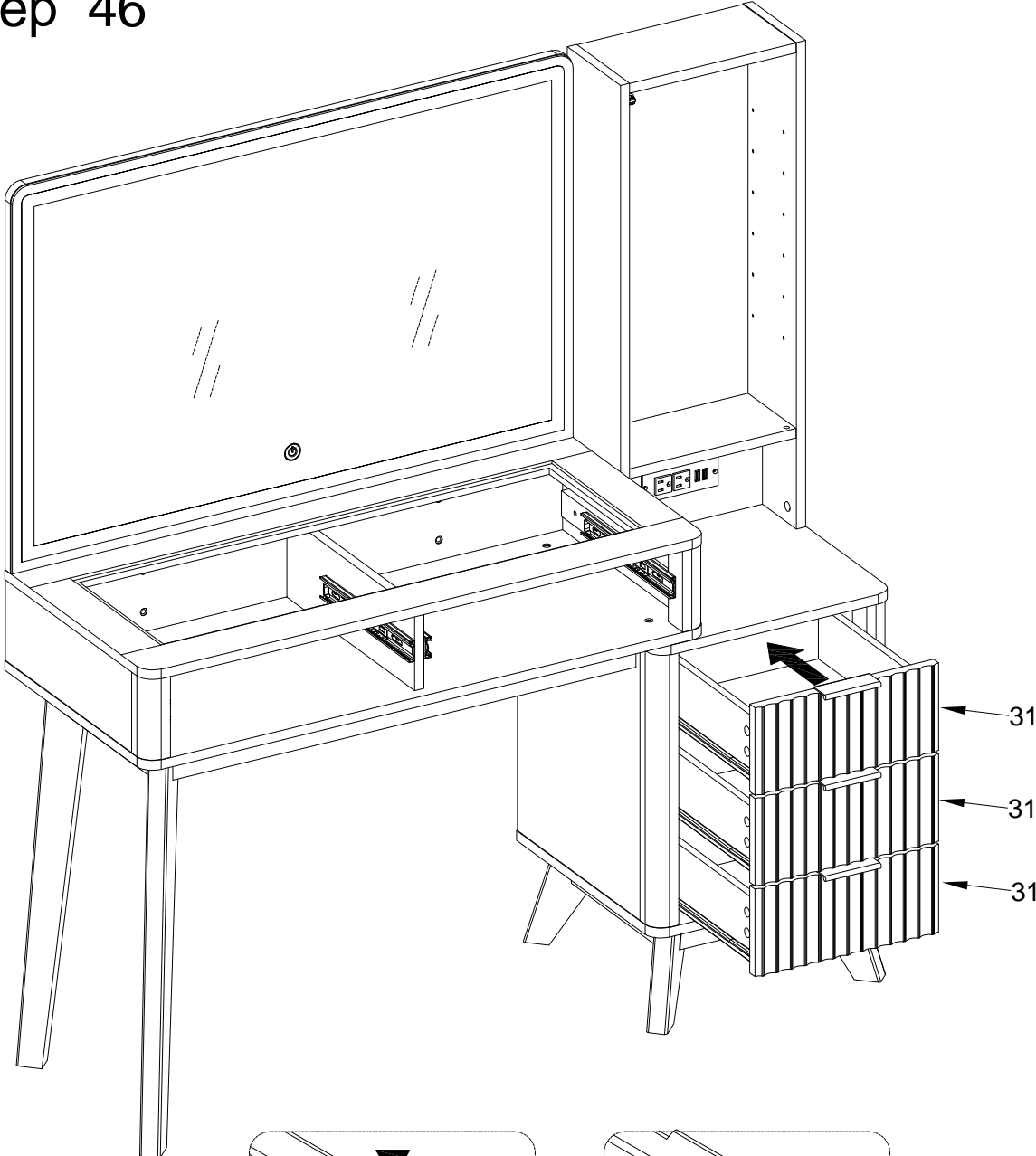
Step 44



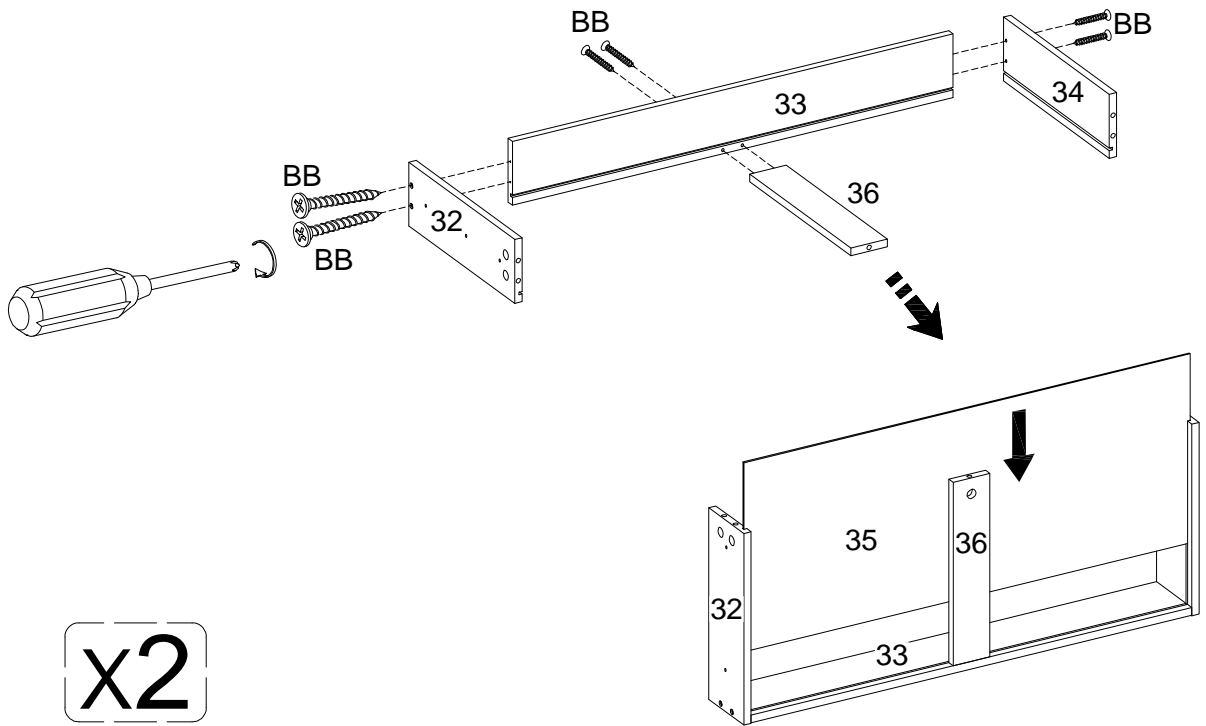
Step 45



Step 46

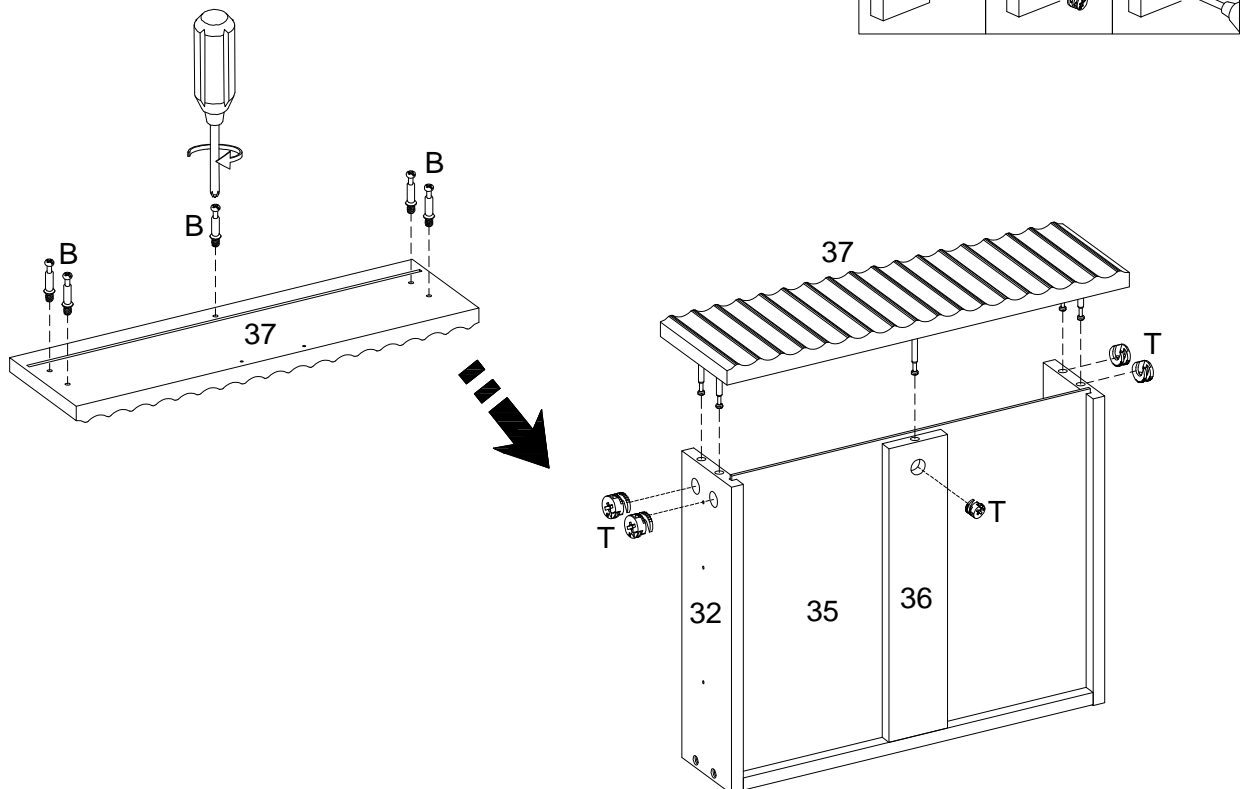


Step 47

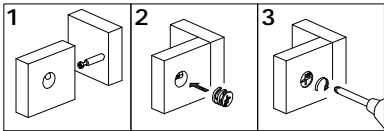
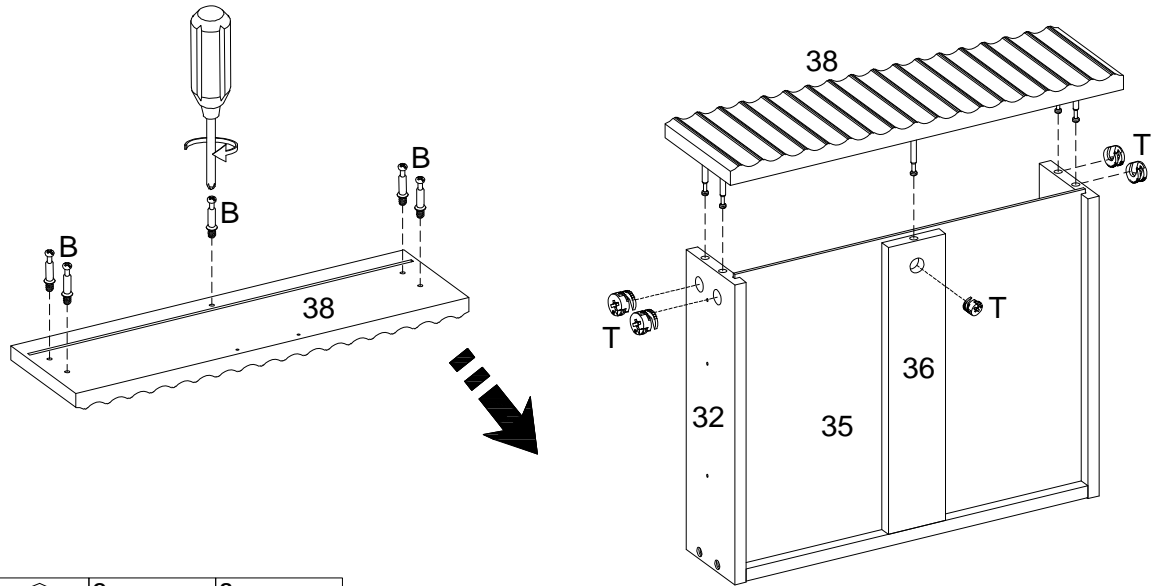


x2

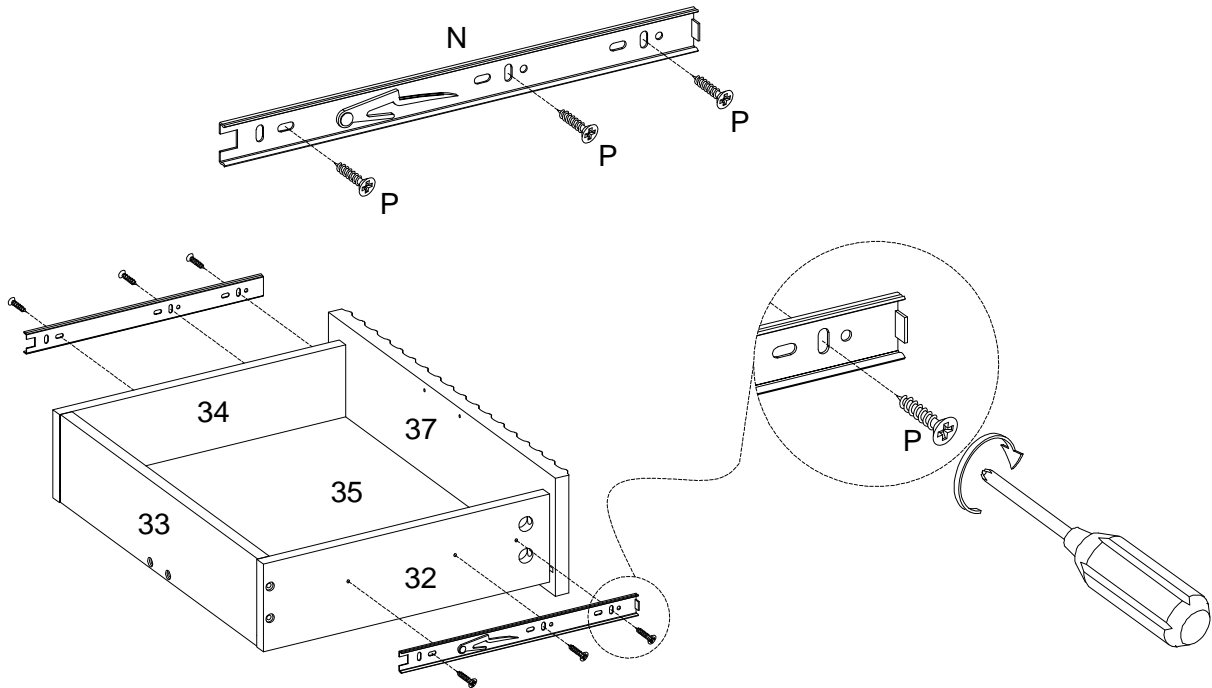
Step 48



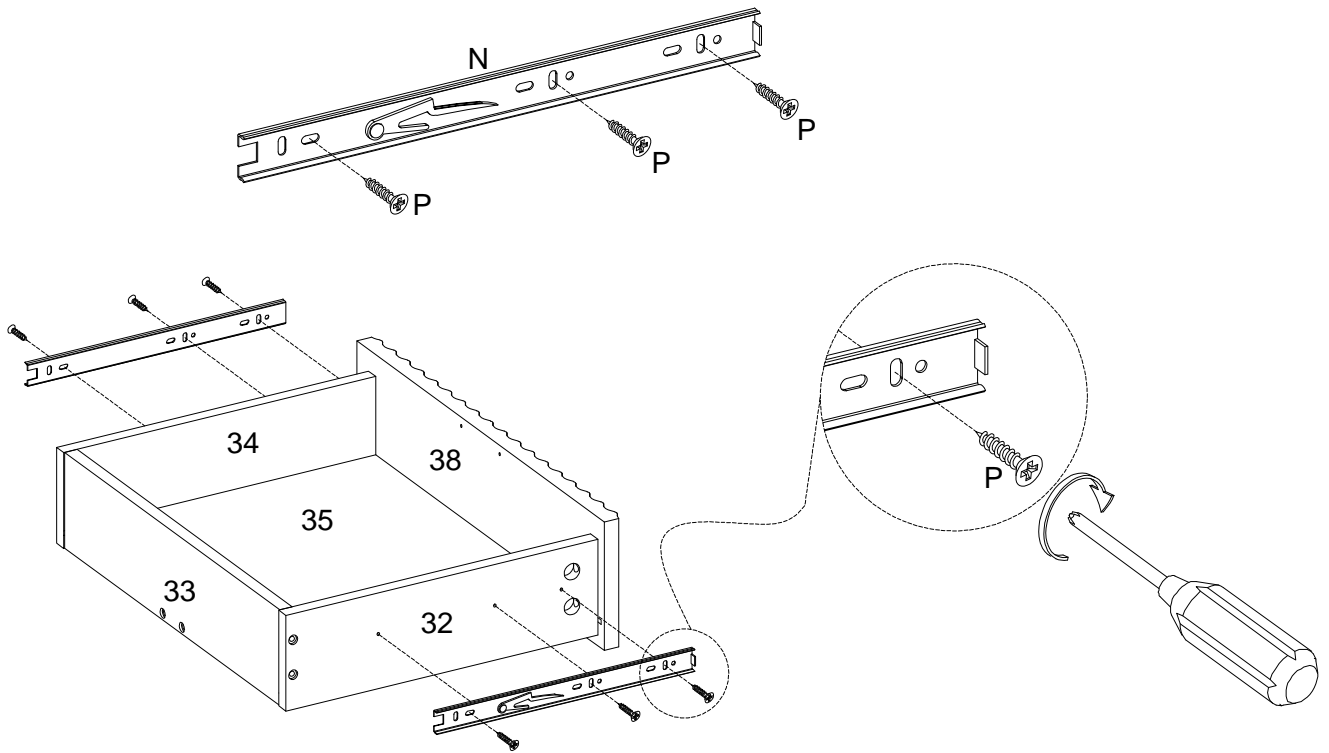
Step 49



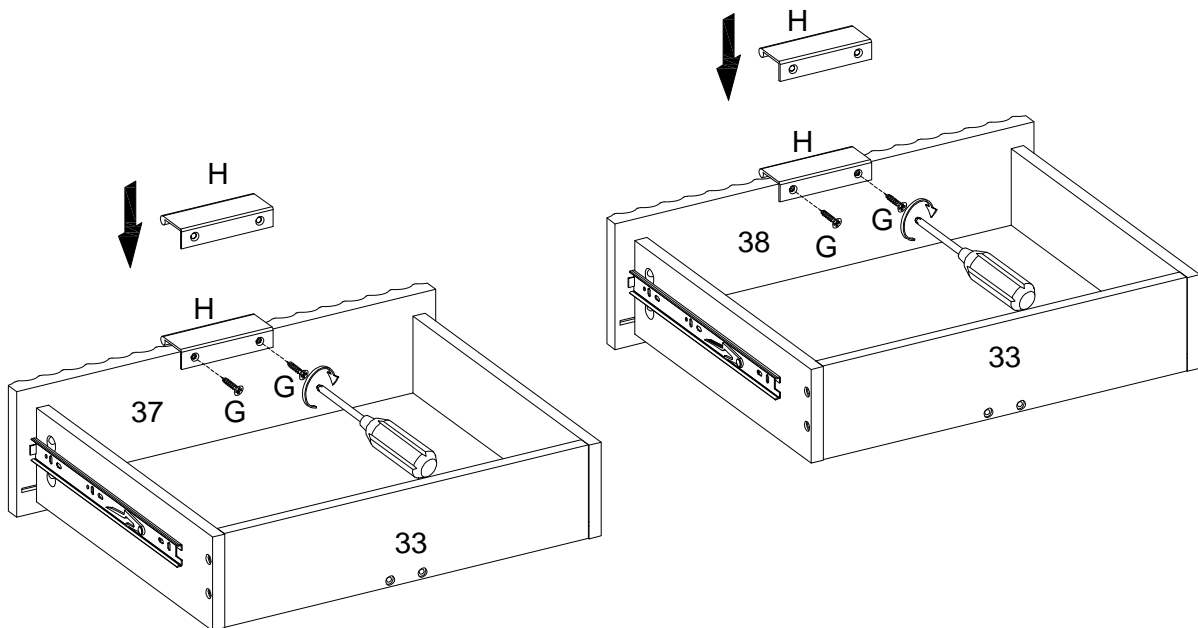
Step 50



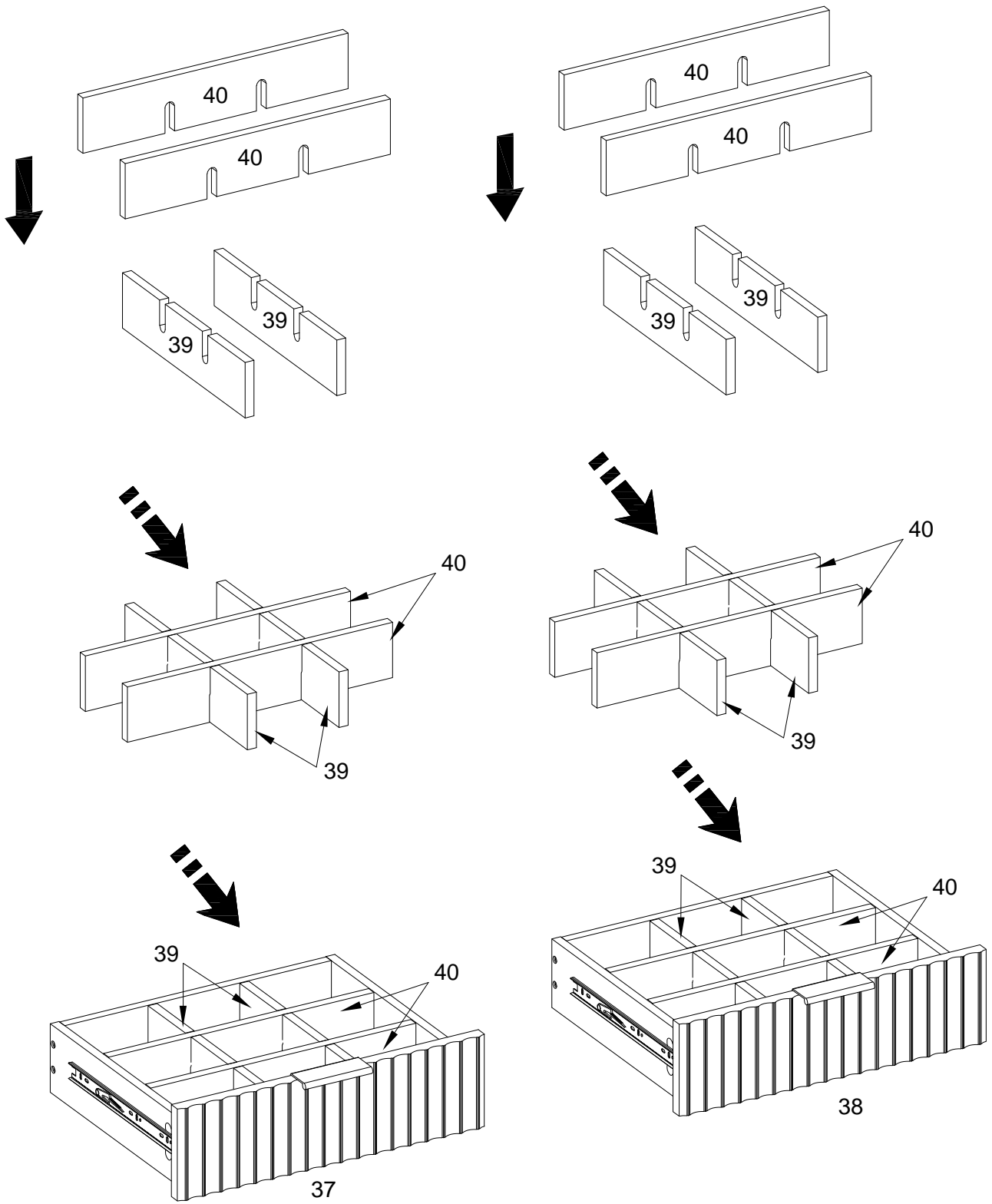
Step 51



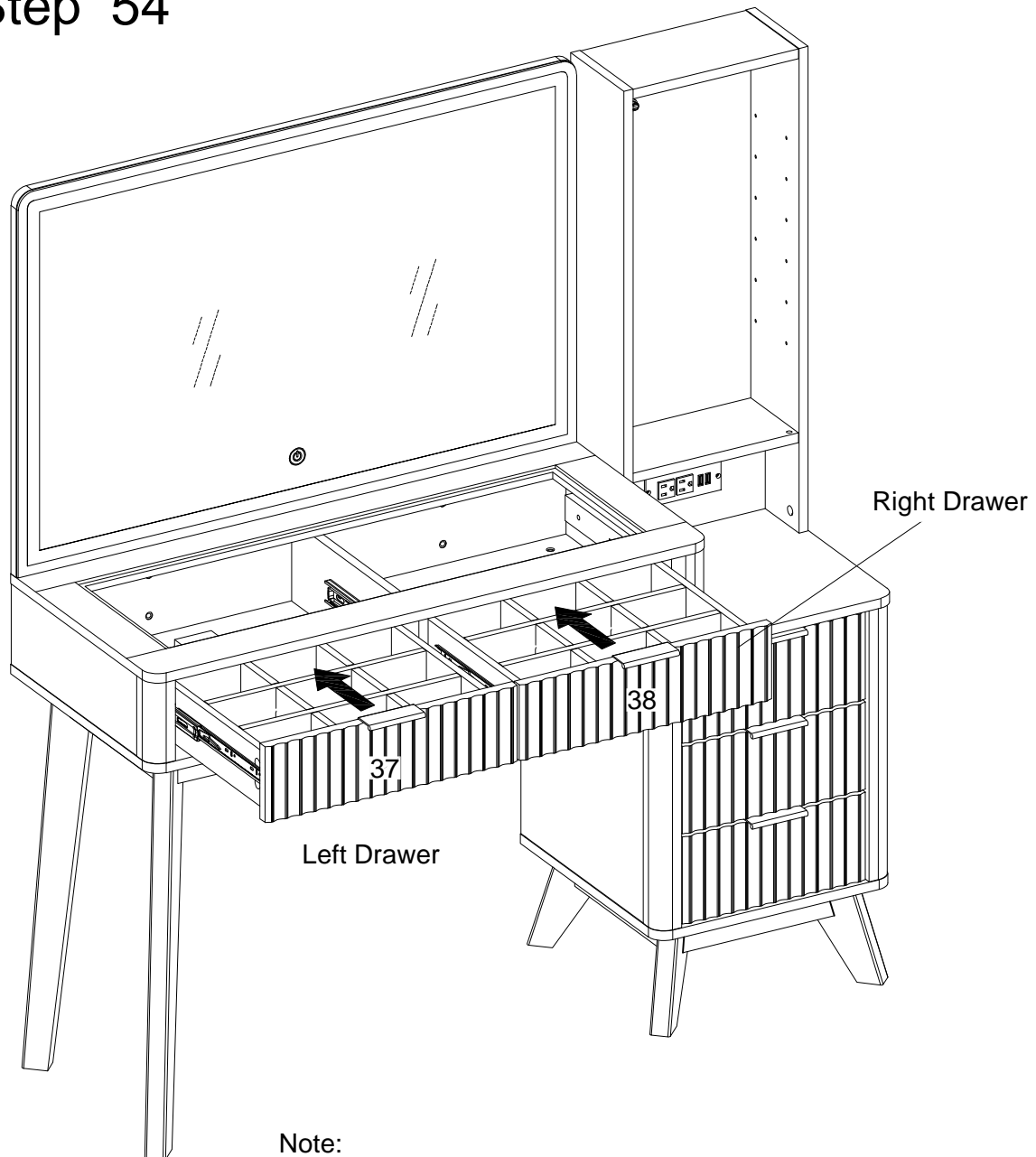
Step 52



Step 53



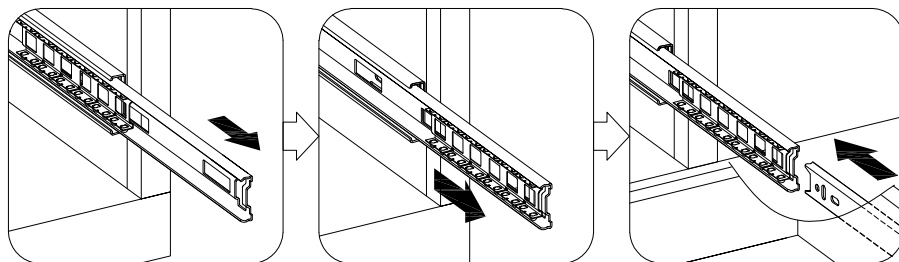
Step 54



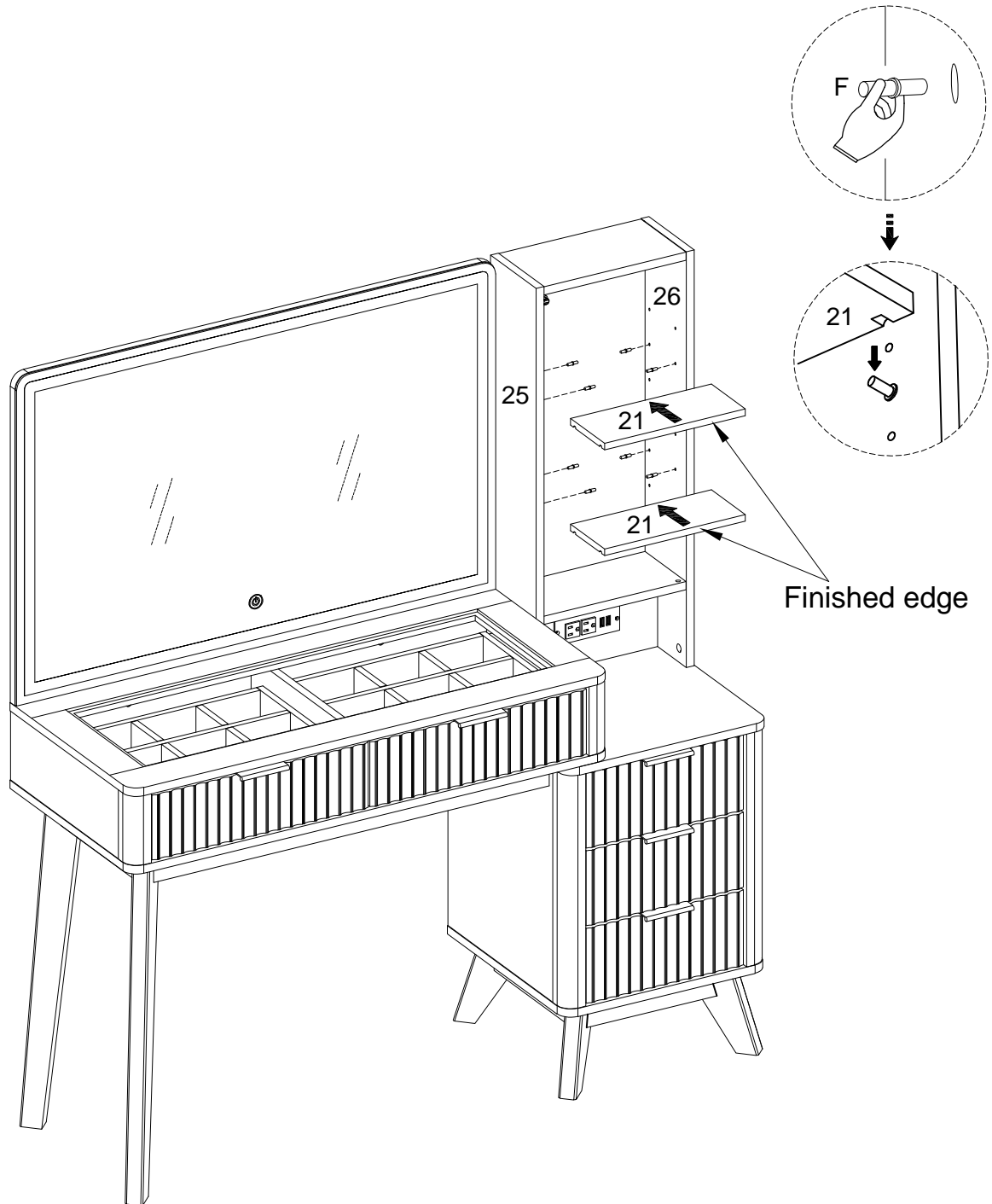
Note:

If the drawer does not go in smoothly. Press or lift the plastic release lever. Pull out the slider bracket from the slider arm. Loosen the screws(p) on slider brackets, You can adjust up or down by a few mm. Then tighten back up.

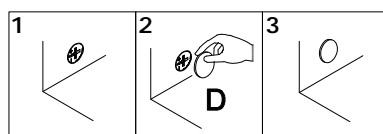
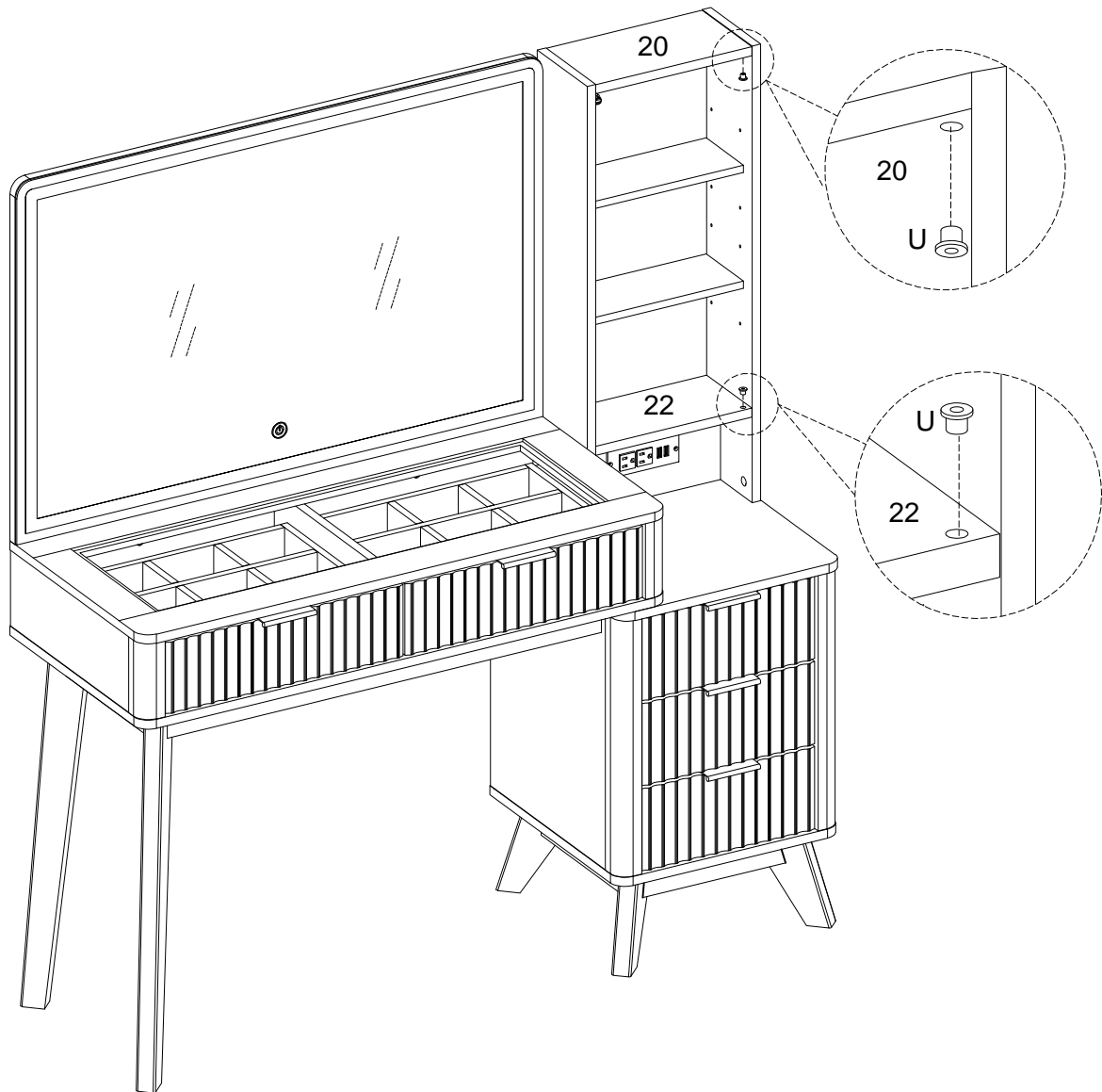
Finally re-assembled the drawer until they were going in smoothly well.



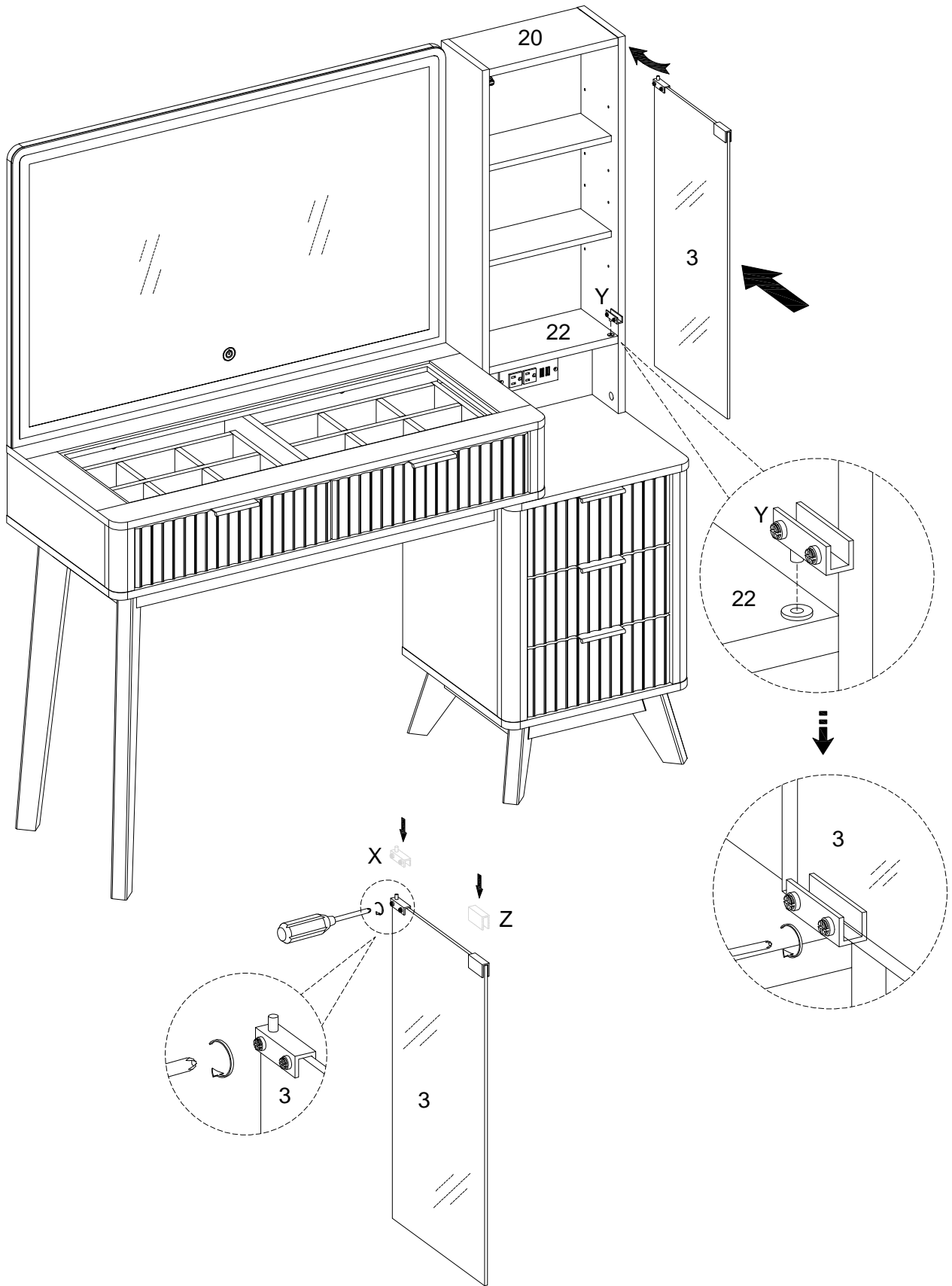
Step 55



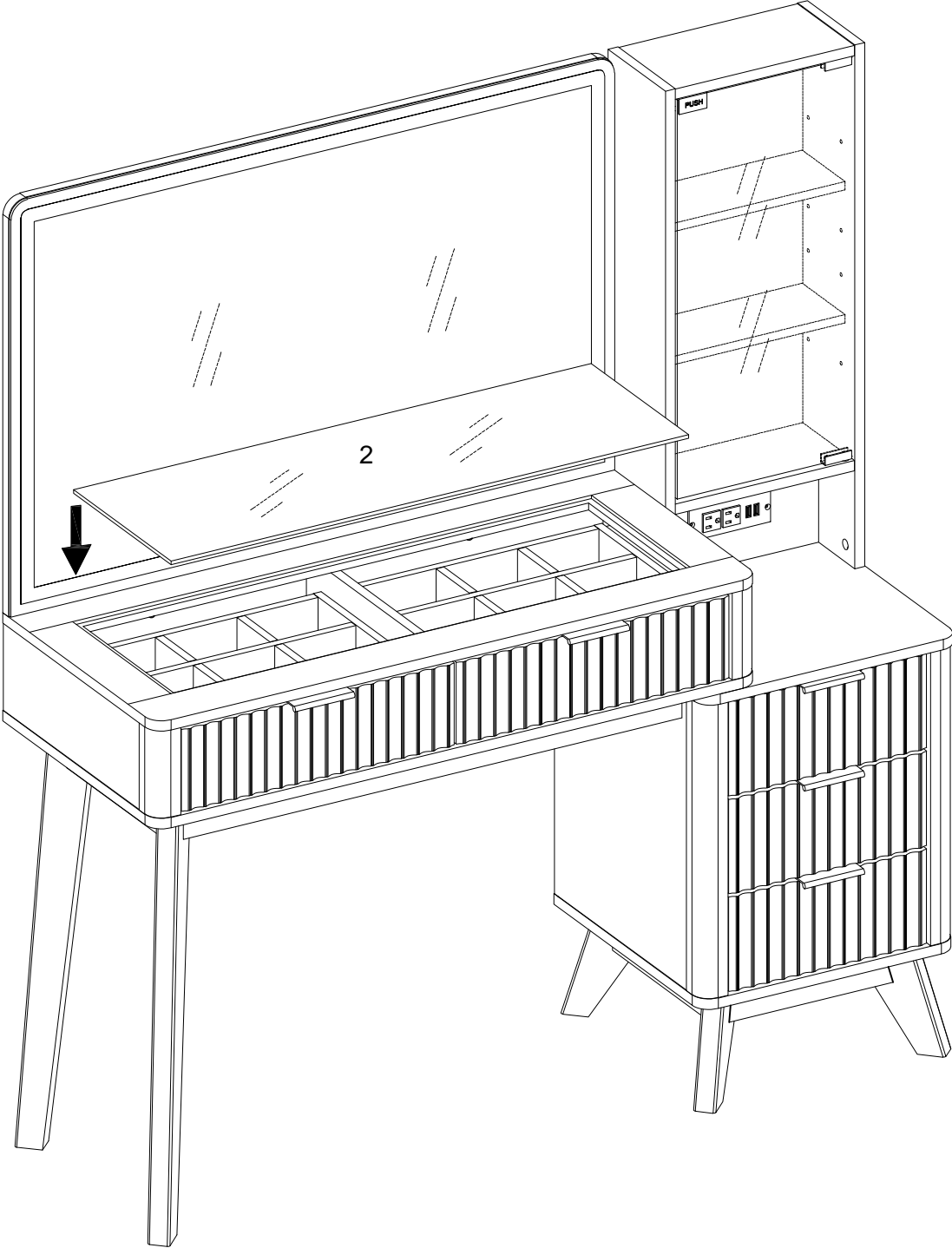
Step 56



Step 57

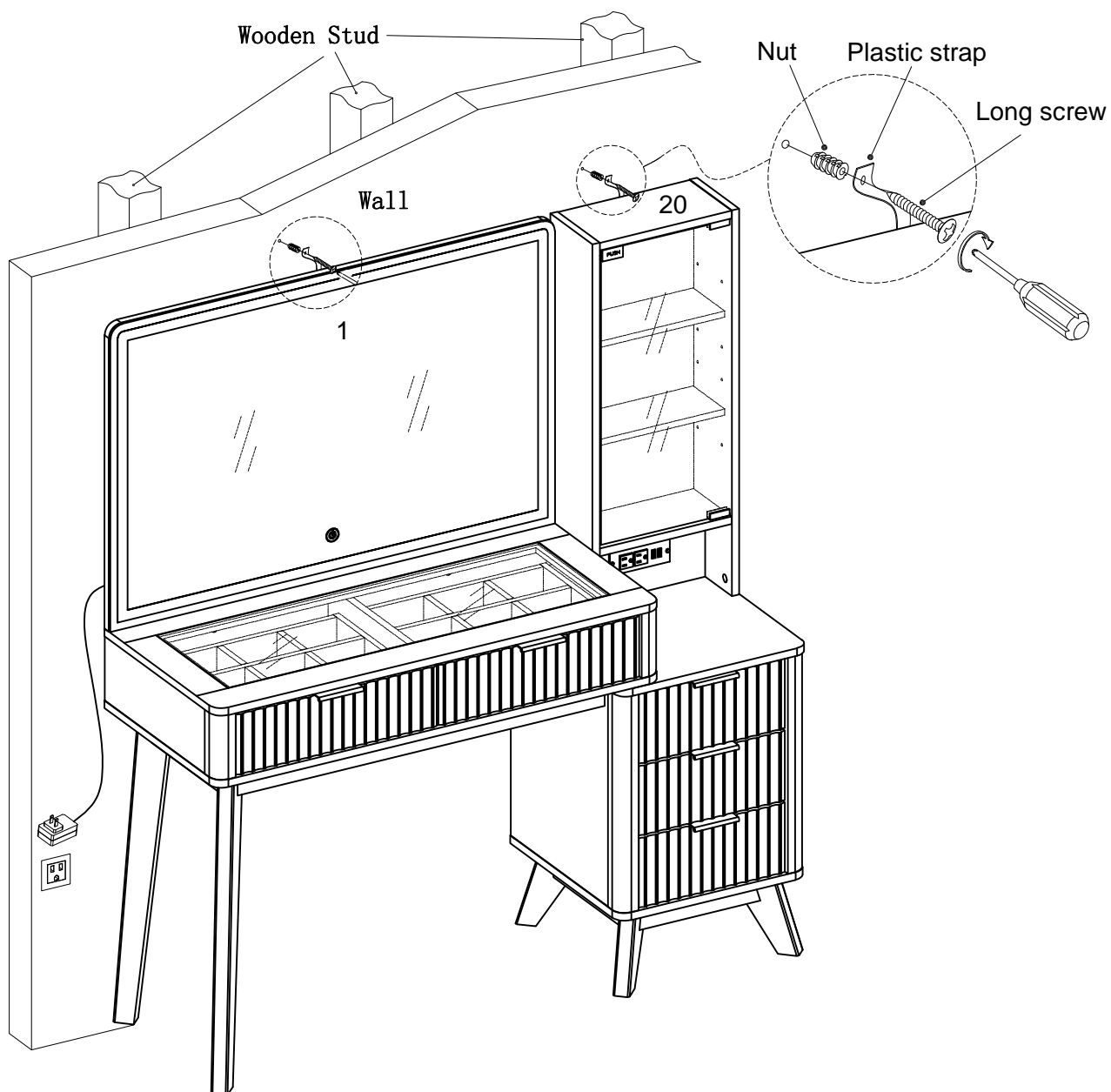
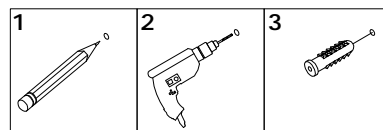


Step 58

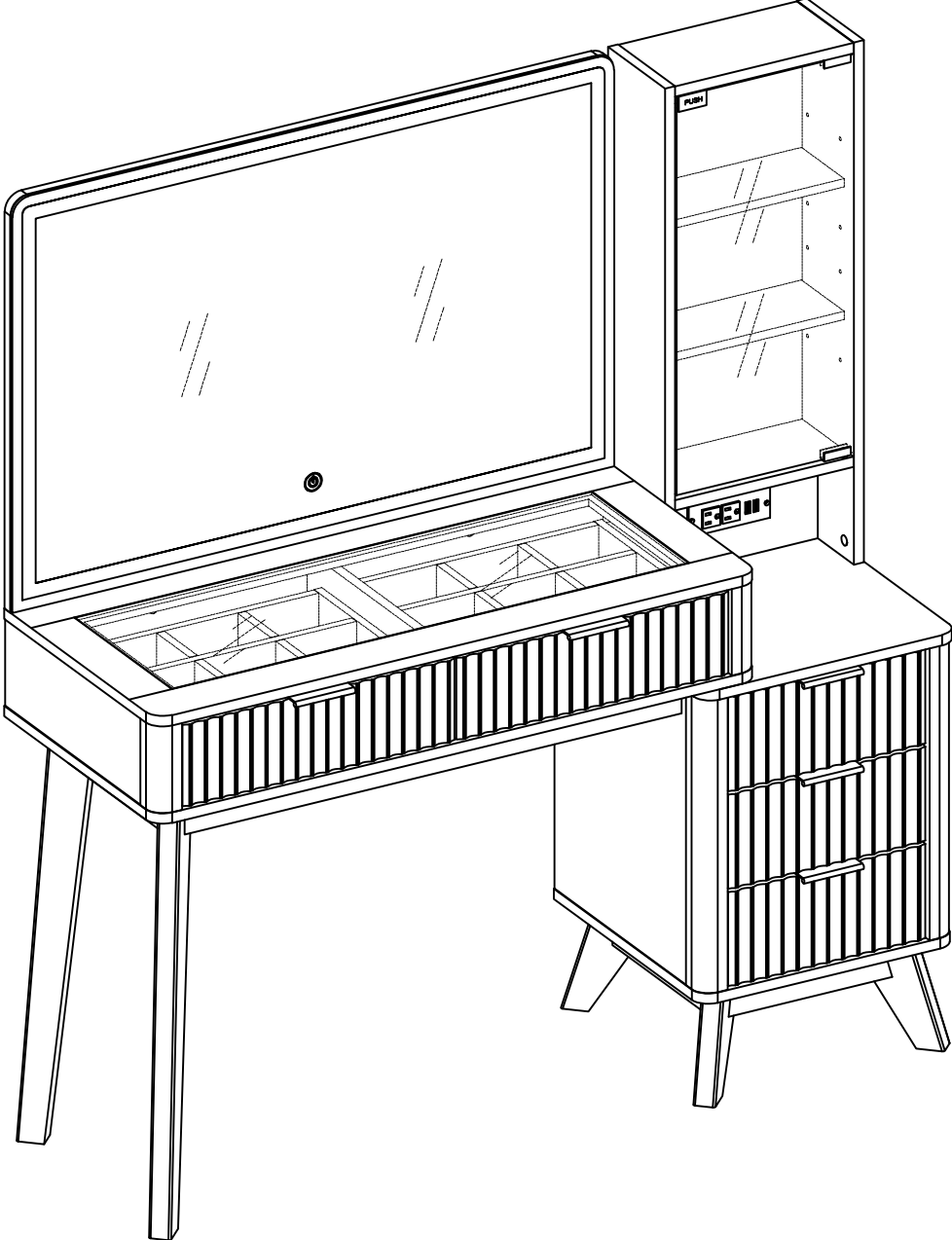


Step 59

Serious or fatal injuries can occur from furniture tipping over. To prevent the furniture from tipping over we recommend that it is permanently fixed to the wall. Wall anchor and hardware are included with this product. Please make sure hardware is suitable for your walls before installing, as different wall materials may require different types of anchors.



Step 60



Final Assembly