

Modern LED Long Ring Wall Sconce

Caution: Please turn off power before installation and read the manual carefully, we advise you contact professional electricians to install for safety purpose.

Product Features

Style: Modern/Contemporary

Material: Metal

Base Type: LED

Light Source Included: Yes

Voltage: 120V

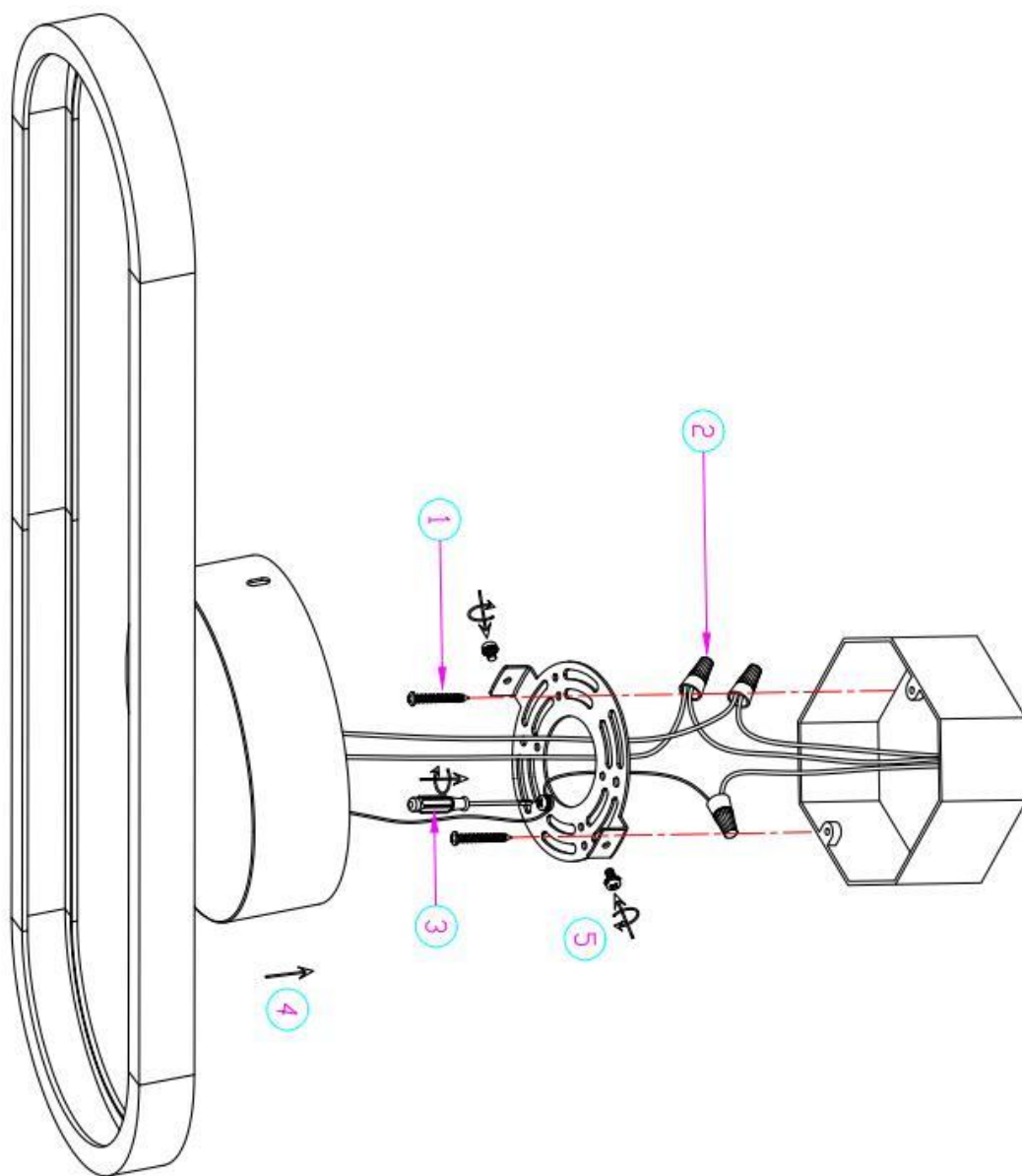
Wattage: 14W

Package includes

1 x Wall Light

1 x Accessories Kit

1 x User's Manual



Installation Instructions

1. Secure the mounting plate to the junction box using screws.
2. Use wire connectors to connect the live wire (L), neutral wire (N), and ground wire to the corresponding wires inside the junction box.
3. Secure the ground wire to the mounting plate using the green ground screw on the mounting plate.
- 4 - 5. Align the canopy with the mounting plate holes, then fasten the canopy to the mounting plate using screws.

Note: please use this product accordingly to its intended purpose, do not retrofit or remodeling the product. The warranty does not cover if the failure is caused by the third party product, or natural disasters.

Made in China