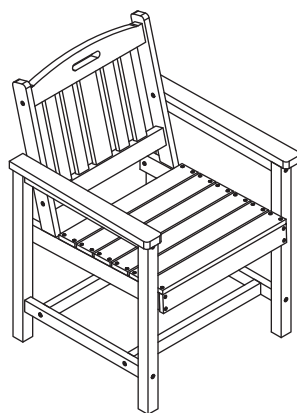


DSNAPE Dining Furniture Set-Chair
PXDN0T051

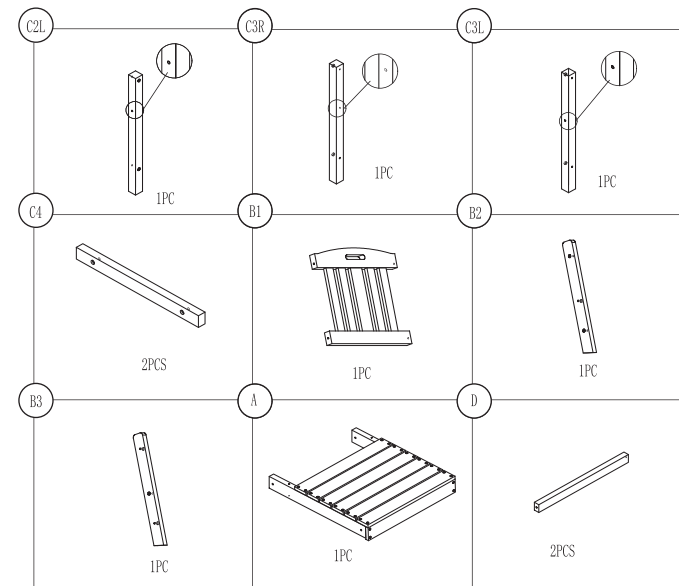
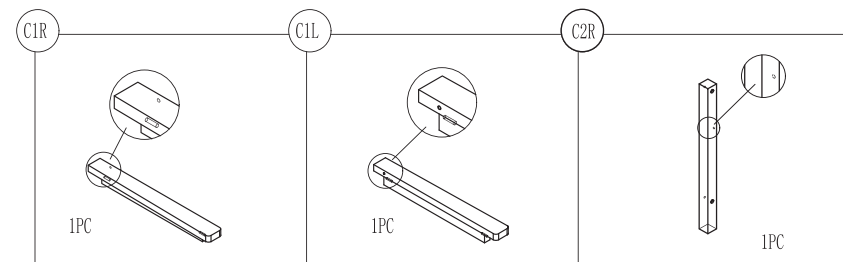


Customer support email address
DSNAPE_Service01@outlook.com

- ATTENTION:**
1. Please check the manual carefully and make sure you have received all the parts.
 2. If there is anything missing, please let us know the letter of the needed part (see parts & hardware list below).
 3. If there are any damaged pieces, please send us clear photos. We will respond promptly and offer our best support.



Parts List

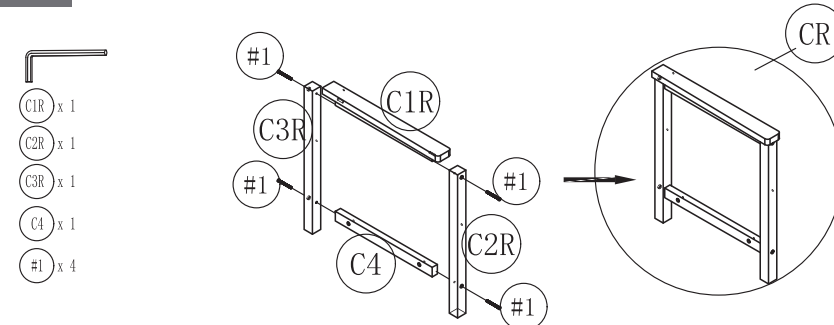


HARDWARE LIST

#1 M6 * 60 8PCS	#2 M6 * 35 14PCS	#3 M6 * 80 2PCS	#3 4MM 1PC
-----------------------	------------------------	-----------------------	------------------

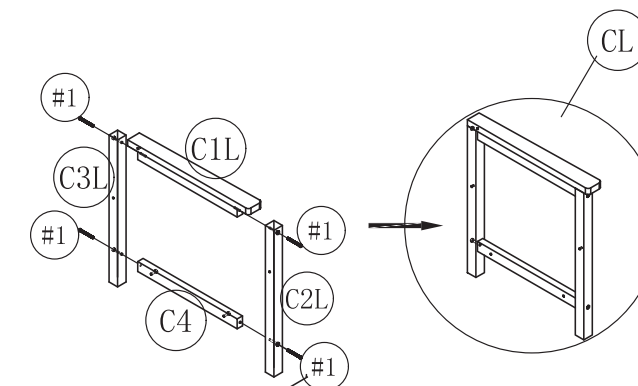
Assembly

STEP1



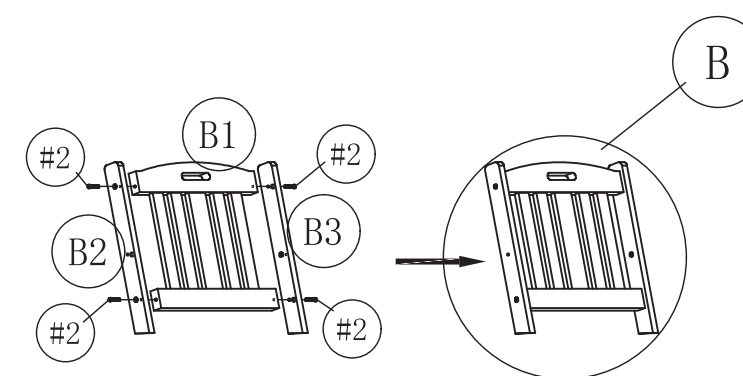
STEP2

- C1L x 1
- C2L x 1
- C3L x 1
- C4 x 1
- #1 x 4



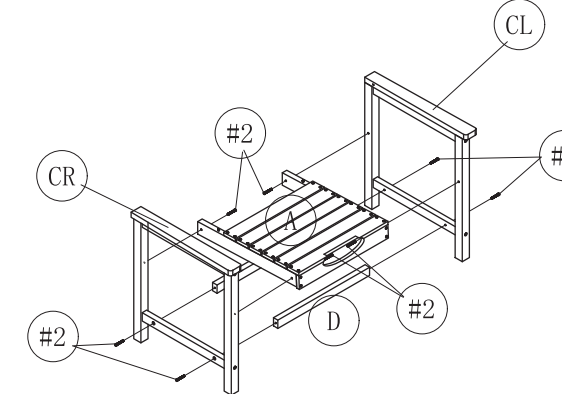
STEP3

- B1 x 1
- B2 x 1
- B3 x 1
- #2 x 4



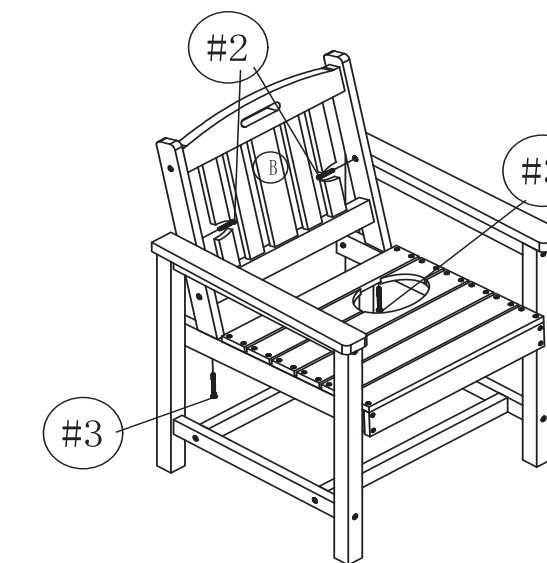
STEP4

- CR x 1
- CL x 1
- A x 1
- D x 2
- #2 x 8



STEP5

- B x 1
- #2 x 2
- #3 x 2



Attention

We will provide our best customer support.
If you have any questions or issues during installation, please send an email (see below) with your telephone number and address. We will provide installation support, guided videos and offer reissues for any defective parts.
All queries will be addressed within 24 hours.
Customer satisfaction is of the utmost importance to us!

Customer support email address
DSNAPE_Service01@outlook.com