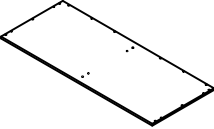
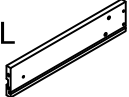
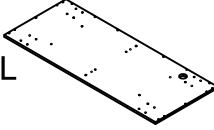

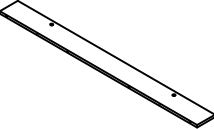

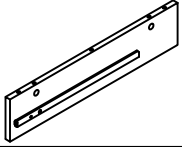
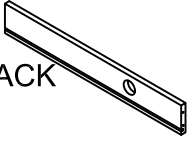
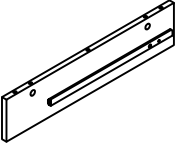
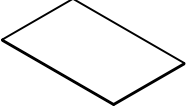
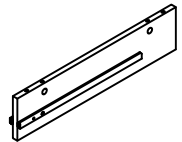
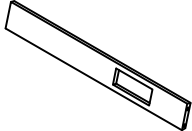
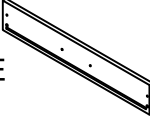
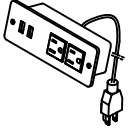

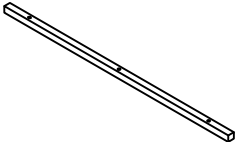

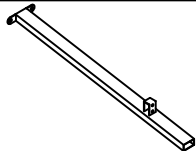
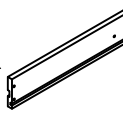
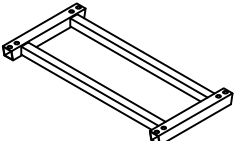


# ASSEMBLY INSTRUCTION FOR FURNITURE

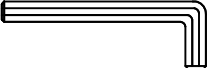
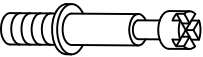

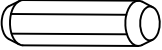
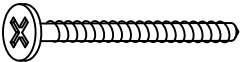
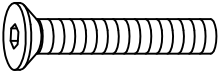
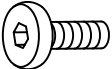
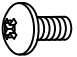
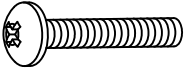


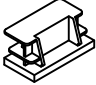
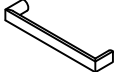
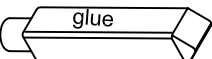
Thank you for purchasing the quality product. Be sure to check all packing material carefully for small parts which may have come loose inside the cation during shipment. Seperate, identify and count all parts and metal hardware. Compare with all parts list to be sure all parts are present. If any part(s) are missing or damaged, please contact your local furniture dealer. For efficient and speedy service, please indicate the model number and code letter of part(s) needed.

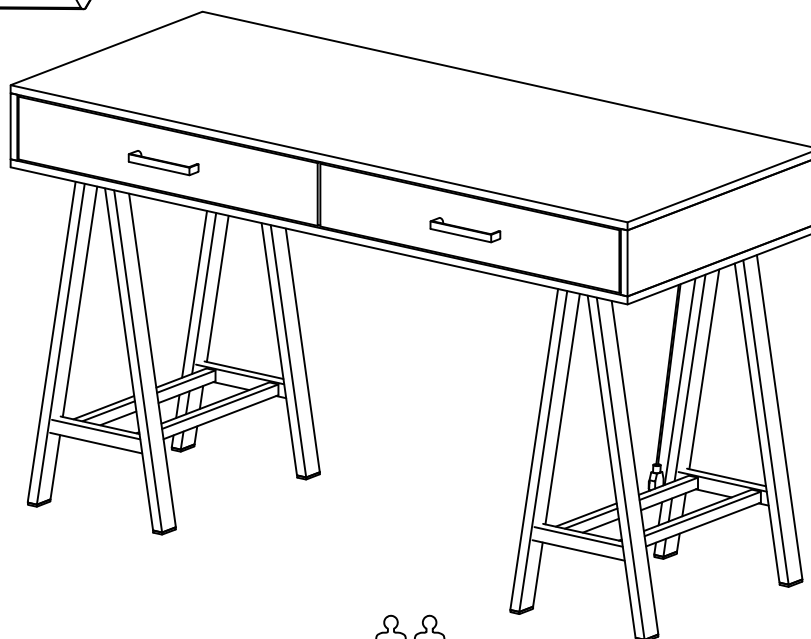
\*\*\* Do not fully tighten screws until fully assembled \*\*\*

## COMPONENT PARTS



DESCRIPTION	PART NAME	QTY (PCS)	DESCRIPTION	PART NAME	QTY (PCS)
①	TOP PANEL 	1	⑪	RIGHT DRAWER SIDE-L 	1
②	BOTTOM PANEL 	1	⑫	RIGHT DRAWER SIDE-R 	1
③	BACK PANEL 	1	⑬	LEFT DRAWER BACK 	1
④	LEFT PANEL 	1	⑭	RIGHT DRAWER BACK 	1
⑤	RIGHT PANEL 	1	⑮	DRAWER BOTTOM 	2
⑥	CENTER PANEL 	1	⑯	USB PANEL 	1
⑦	LEFT DRAWER FACE 	1	⑰	USB SOCKET 	1
⑧	RIGHT DRAWER FACE 	1	⑱	CROSS TUBE 	2
⑨	LEFT DRAWER SIDE-L 	1	⑲	LEG FRAME 	8
⑩	LEFT DRAWER SIDE-R 	1	⑳	II -FRAME 	2

# HARDWARE REQUIRED

(A)		ALLEN KEY		1 PC
(B)		CAM BOLT	34.8mm	12 PCS
(C)		CAM LOCK		12 PCS
(D)		WOODEN DOWEL	∅8mm*30mm	32 PCS
(E)		SCREW	8#*38mm	16 PCS
(F)		BOLT	∅1/4"*38mm	6 PCS
(G)		BOLT	∅1/4"*19mm	32 PCS
(H)		BOLT	∅5/32"*12mm	4 PCS
(I)		BOLT	8#*32mm	4 PCS
(J)		SCREW	∅6mm*12mm	2 PCS
(K)		WASHER	∅16mm	16 PCS
(L)		PLUG	20mm*40mm	8 PCS
(M)		KNOB		2 PCS
(N)		GLUE		1 PC



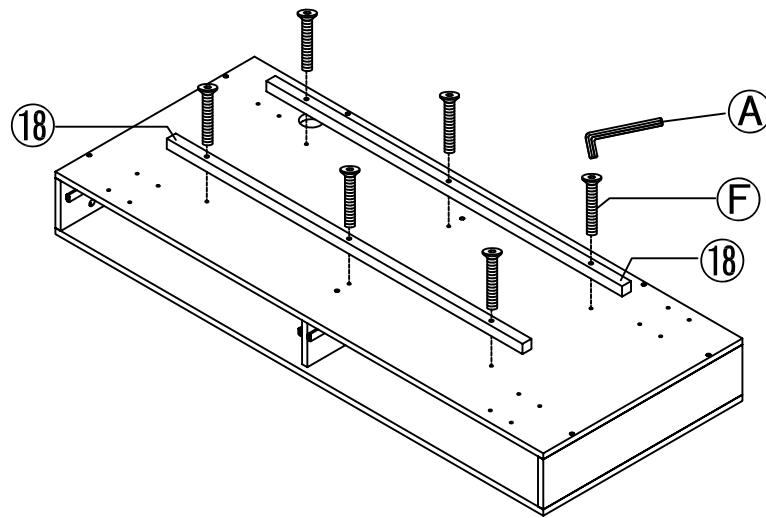
## Attention

\*\*\* Assembly required: 2-people recommended.  

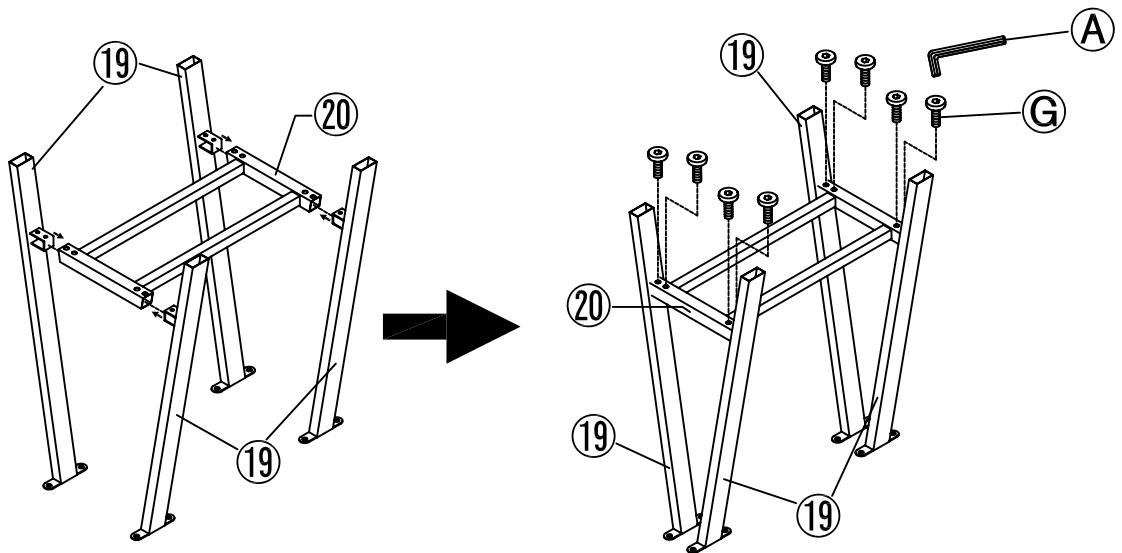
\*\*\* Some number parts listed on the instruction sheet may not be in parts bag as they may already be assembled. Carefully check parts and packing materials prior to ordering replacements.



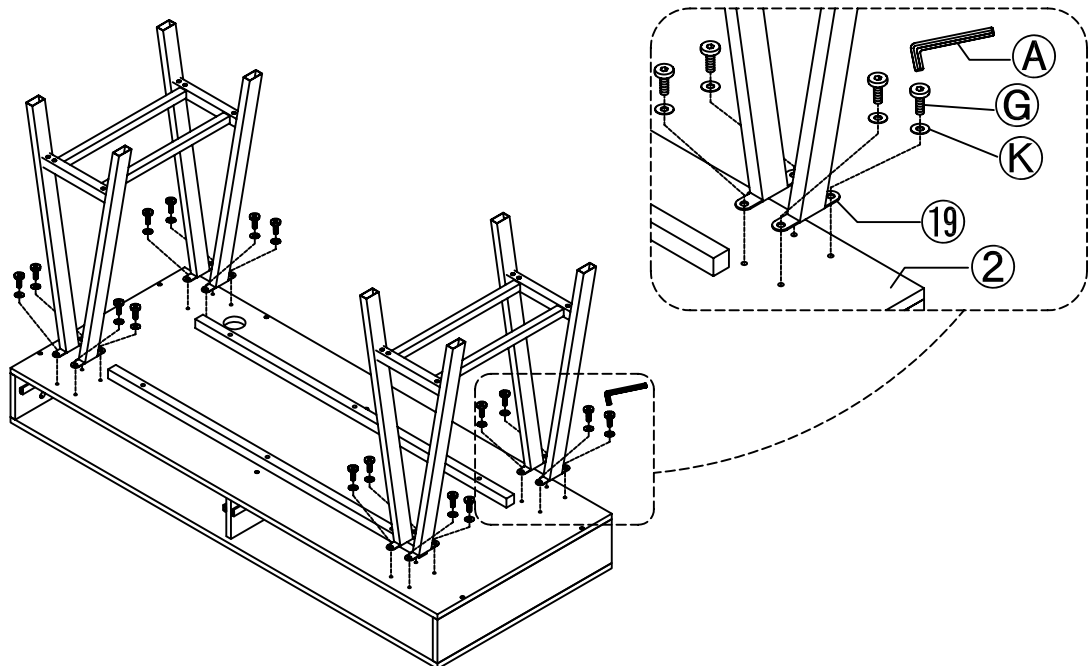
### STEP 3



### STEP 4

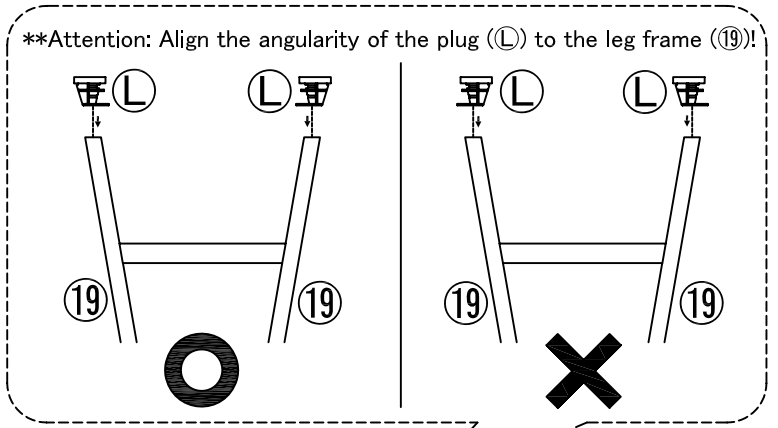
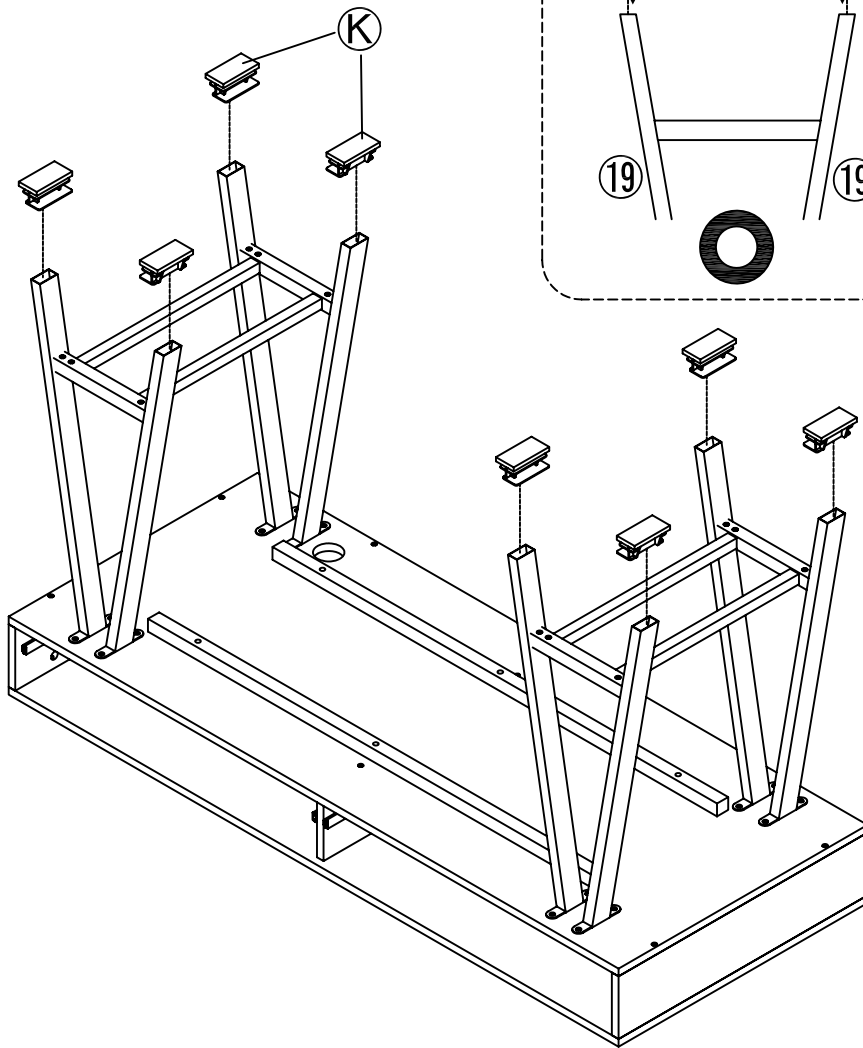


### STEP 5

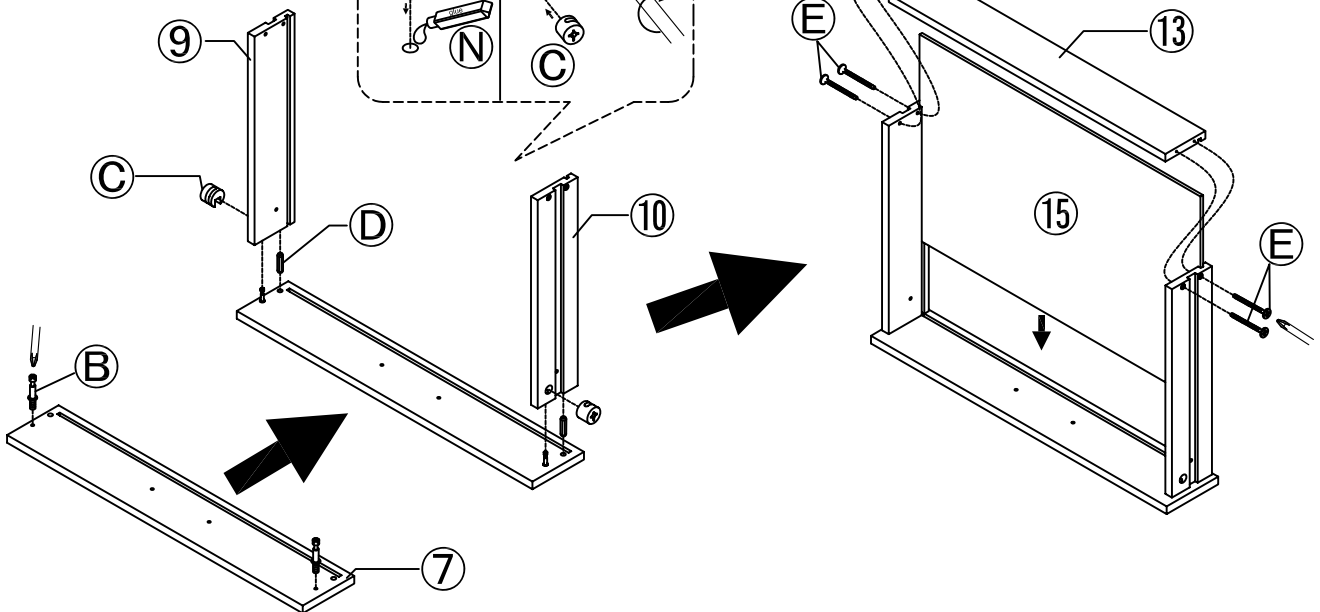
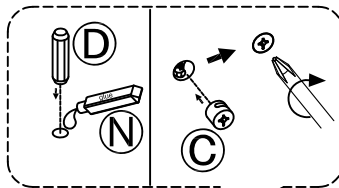


# STEP 6

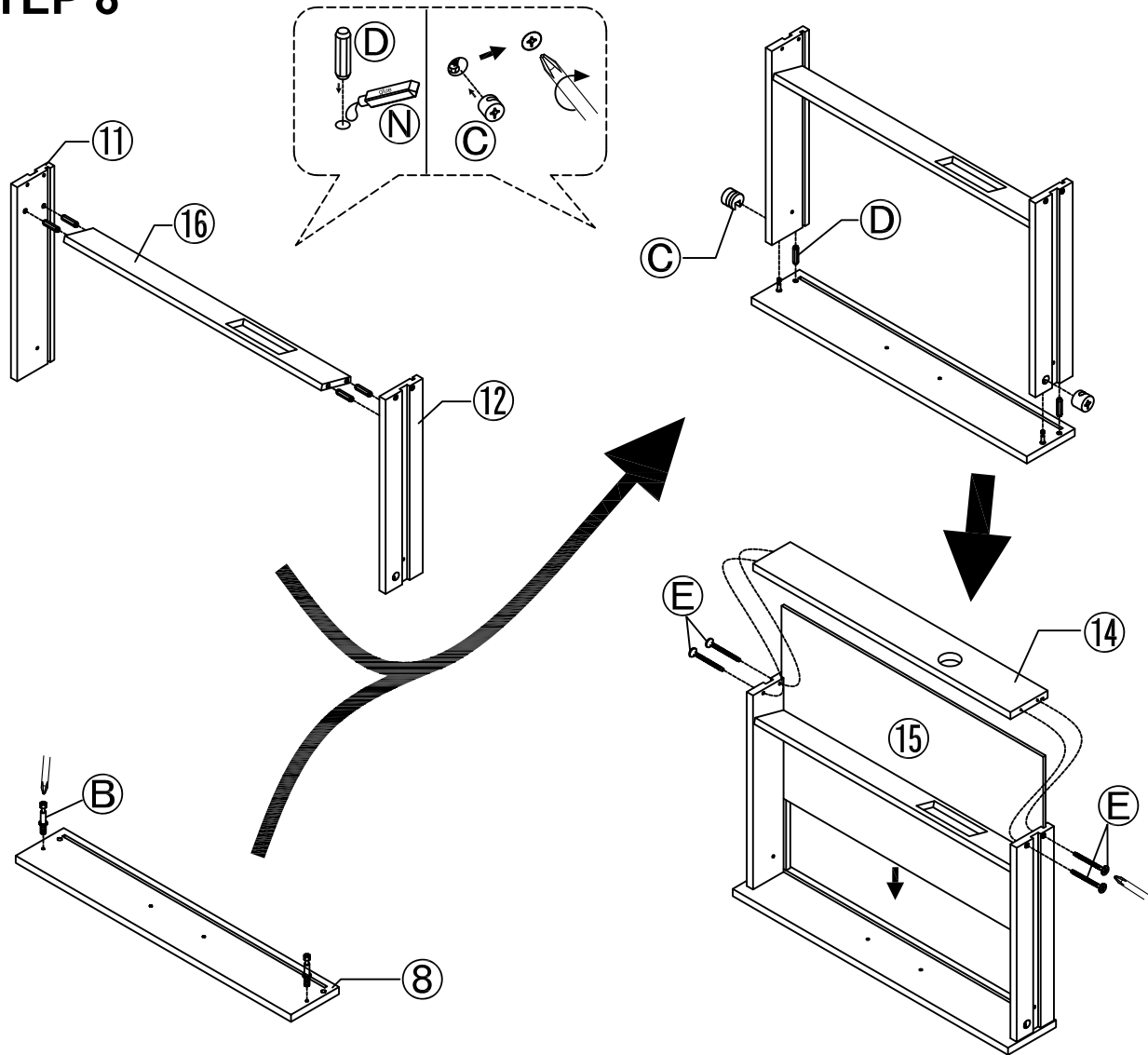
**\*\*Attention: Align the angularity of the plug (L) to the leg frame (19)!**



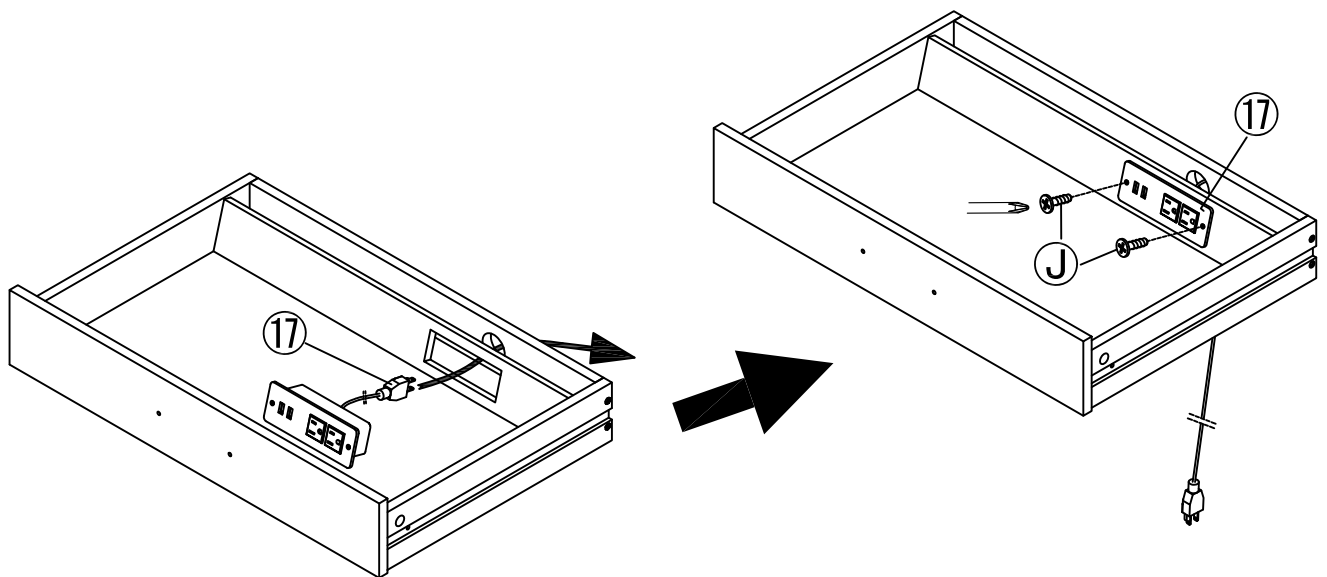
# STEP 7



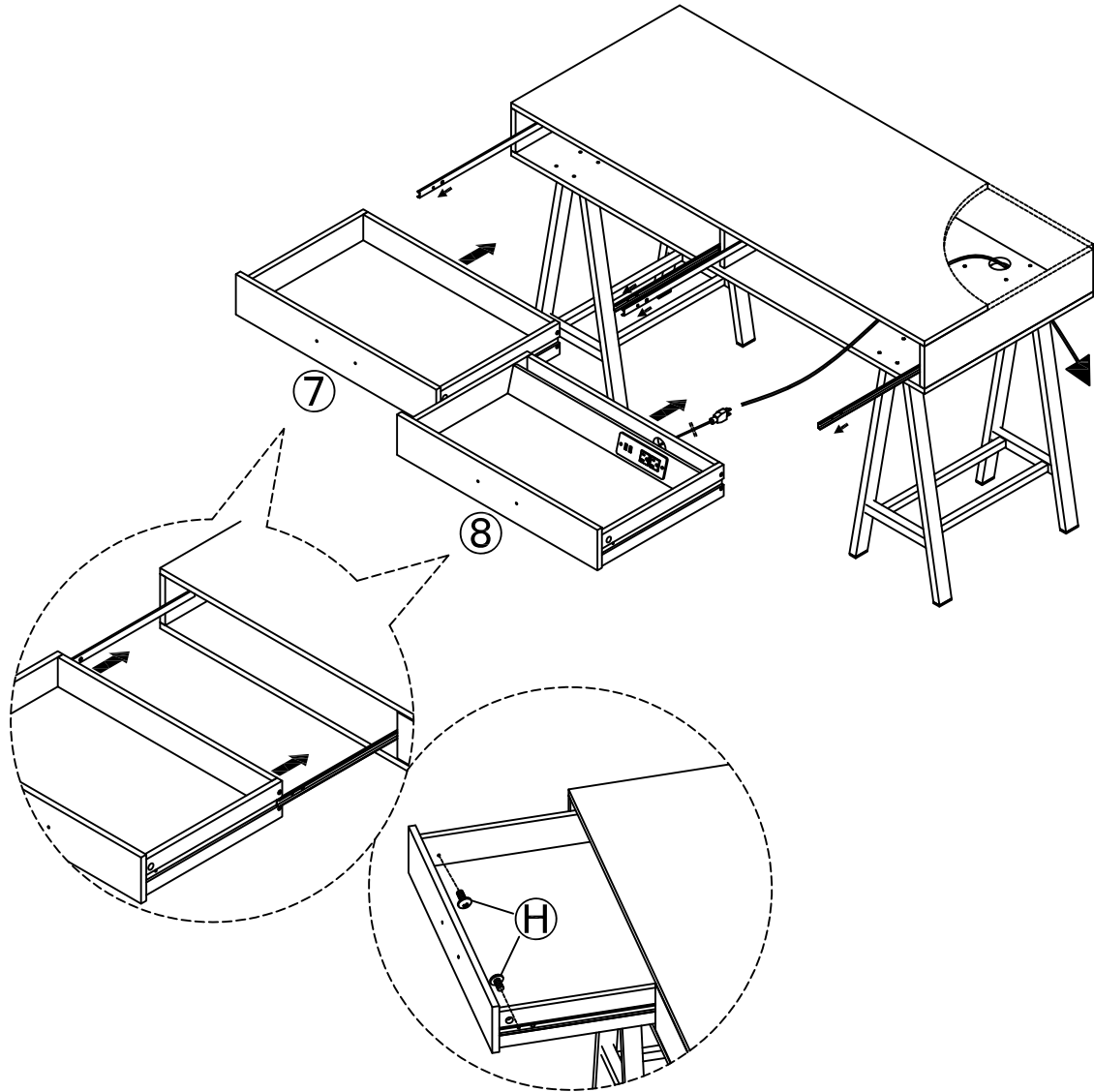
# STEP 8



# STEP 9



# STEP 10



# STEP 11

