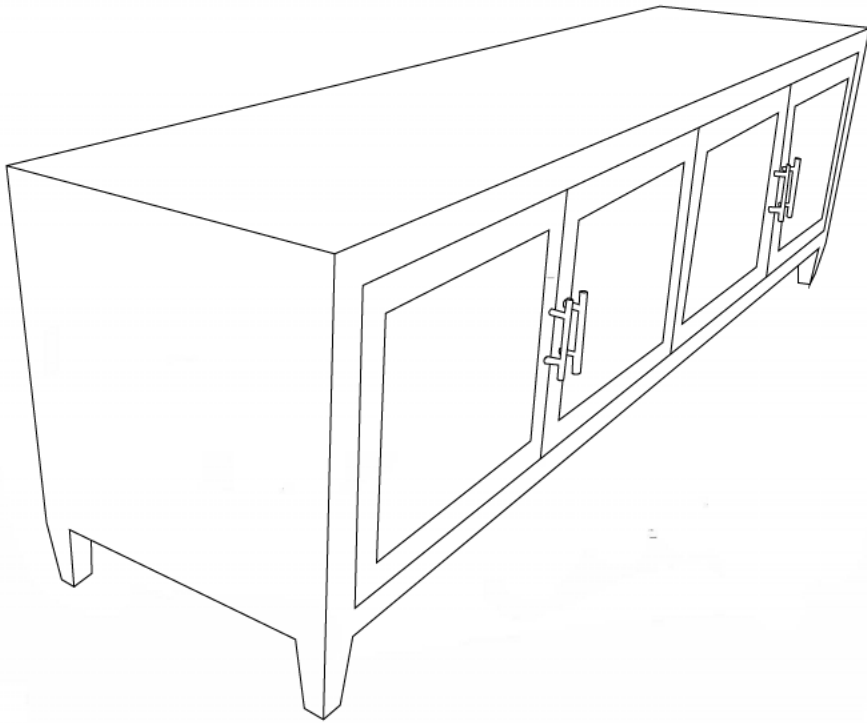
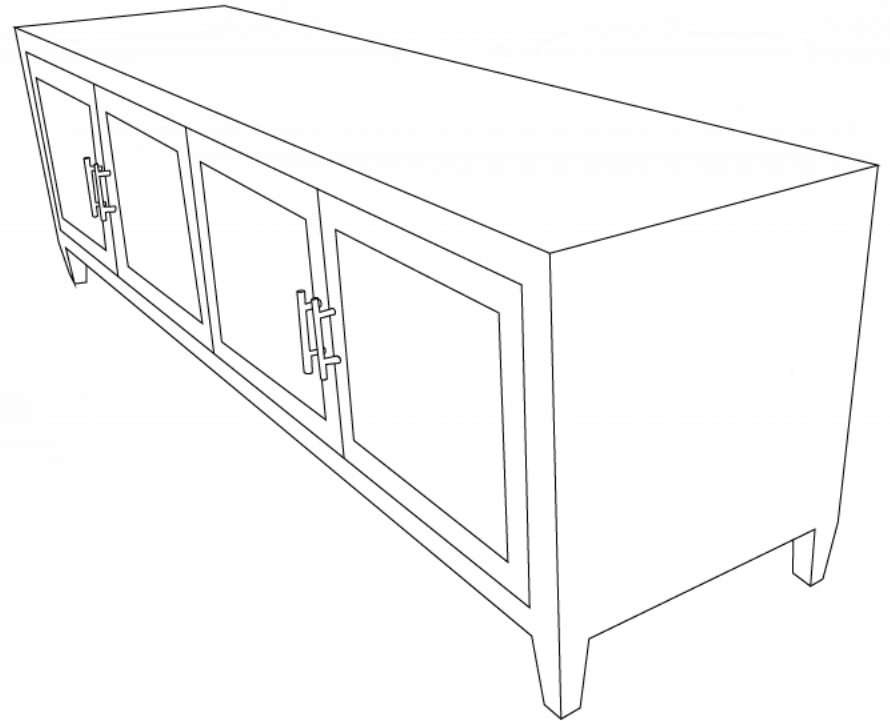


STEP-4



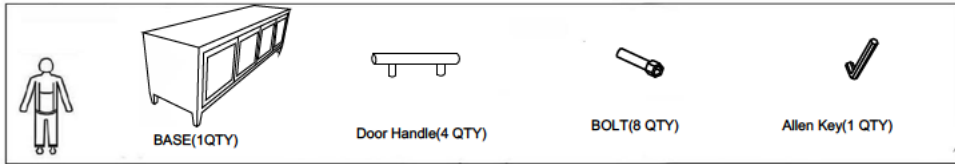
FINAL

Assembly Instruction

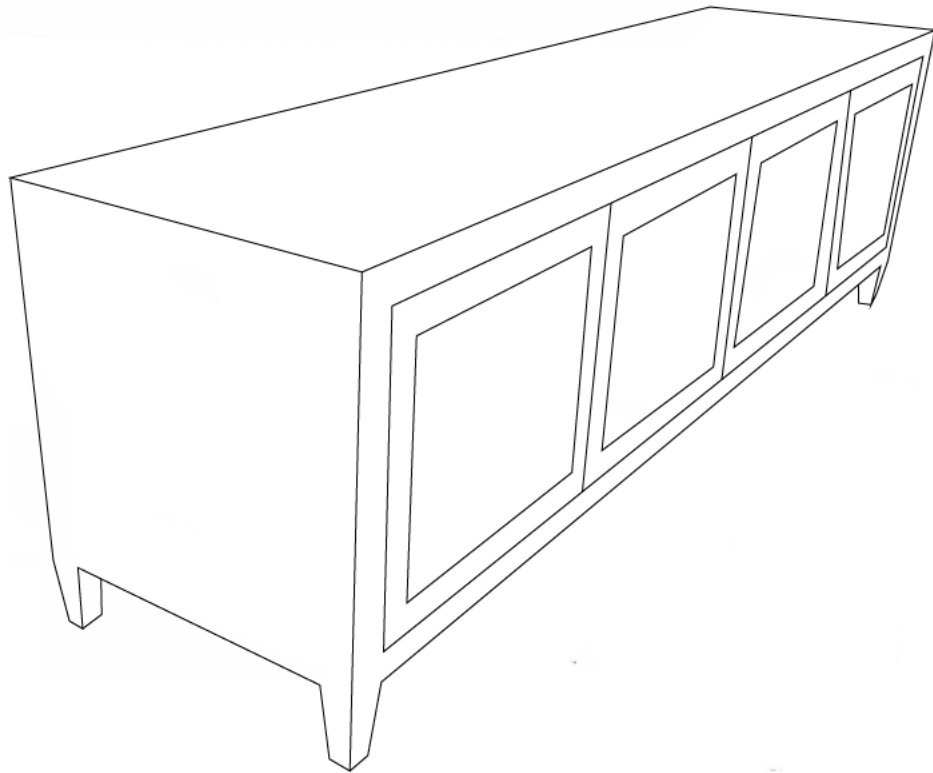


DISCLAIMER:
Actual product may differ from this pictorial view.
This is only for assembly reference purpose.

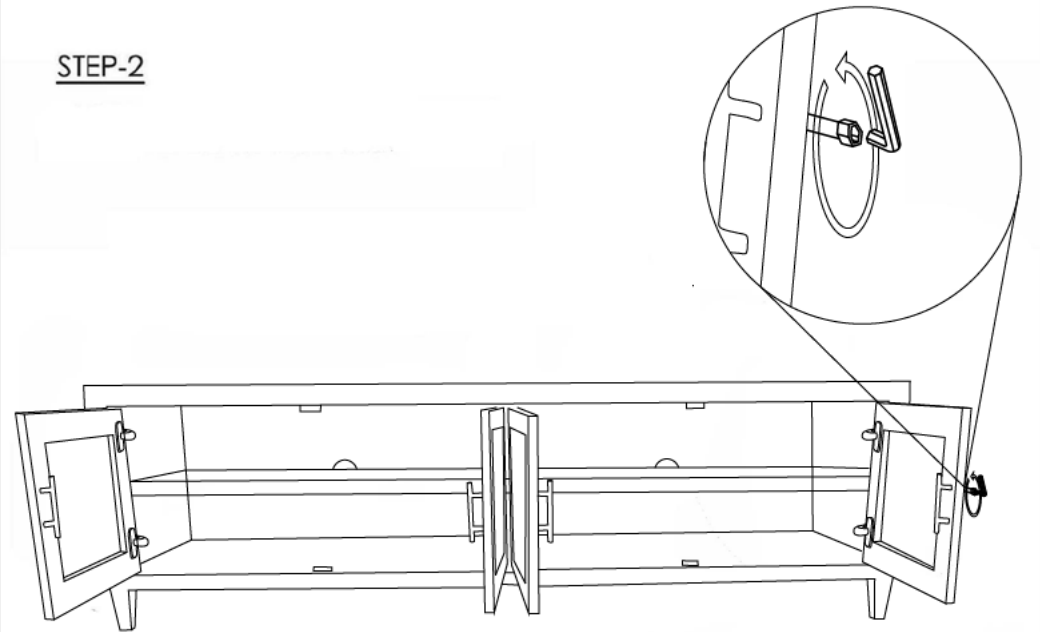
Hardware Box Content :



STEP-1



STEP-2



STEP-3

