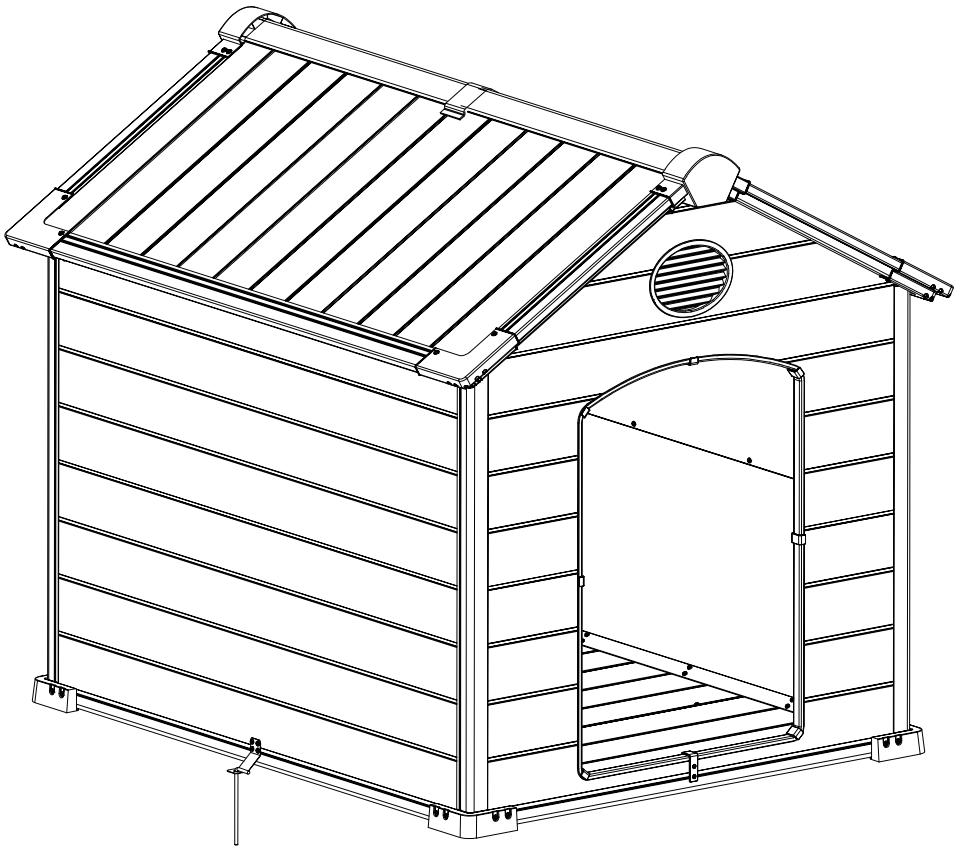
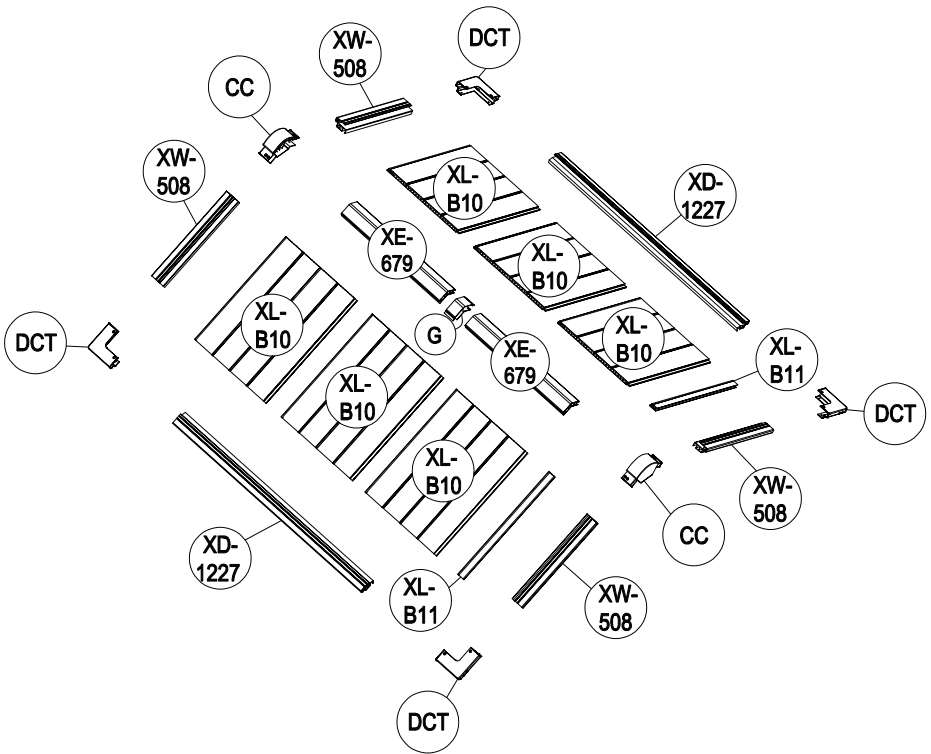


# ASSEMBLY INSTRUCTIONS

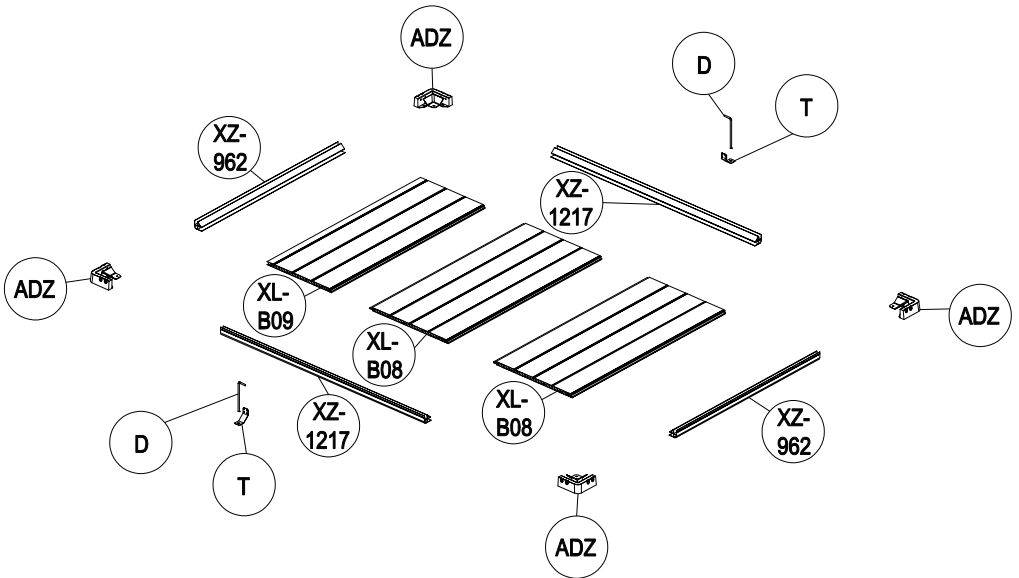
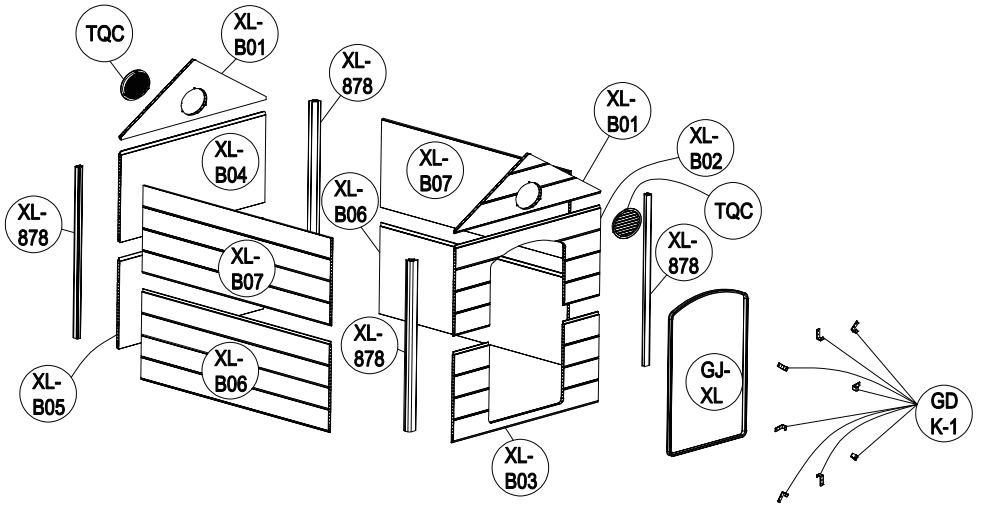
## Pet House



# EXPANDED VIEW PART 1



# EXPANDED VIEW PART 2



# CARE AND SAFETY GUIDELINES

- The shed is intended for storage purposes only. It is not designed for habitation.
- It is strongly recommended to secure the shed to an immovable object or anchor to the ground by drilling holes in the shed floor (at the instructed locations) and inserting proper screws into the ground.
- Do not attempt to assemble during high winds or adverse weather conditions.
- Periodically check the shed to ensure that it is stable and that the site is level.
- Be careful when handling parts with steel edges.
- When assembling or handling the shed, use only those tools listed in the user manual.
- Always wear work gloves, safety goggles and long sleeves when assembling or performing any maintenance on your shed.
- Avoid using a lawnmower or mechanical scythe near the shed.
- Wear safety goggles and always follow the manufacturer's instructions when using power tools.
- Wash the shed with a garden hose or a mild detergent solution. Do not use a metal brush or abrasive cleaners, including degreasers and oil- or acetone-based cleaning materials, as these may stain or damage the shed.
- Do not store hot items, such as recently used grills and blowtorches, and volatile chemicals in the shed.
- Avoid placing heavy items against the walls, as this may cause distortion.
- Keep the roof clear of accumulated snow and leaves. Large amounts of snow on the roof can damage the shed, making it unsafe to enter.
- Wind direction is an important factor to consider when determining the location of the shed. Reduce exposure to the wind, in general, and of the door side in particular. Keep doors closed and locked when the shed is not in use to prevent wind damage.
- Do not stand on the roof.
- Consult your local authorities to check if permits are required to erect the shed.

# Installation Precautions

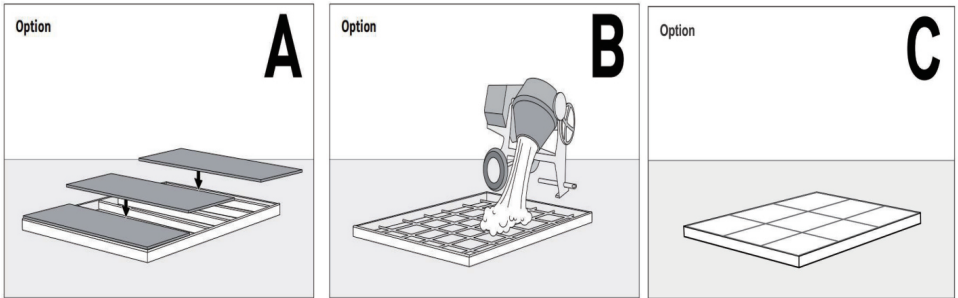
## 1. Site preparation

Leveling the ground.



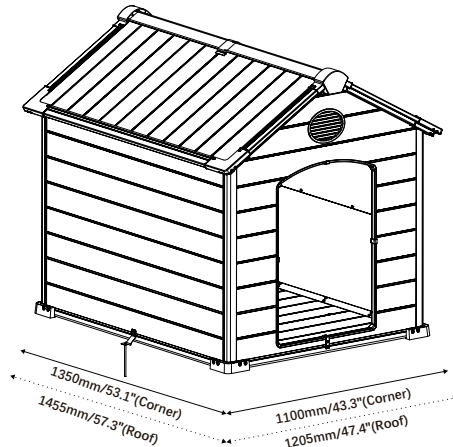
## 2. Set up the base

It is recommended to build a wooden base or concrete base.



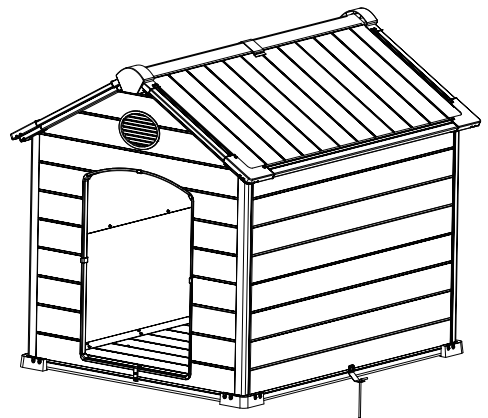
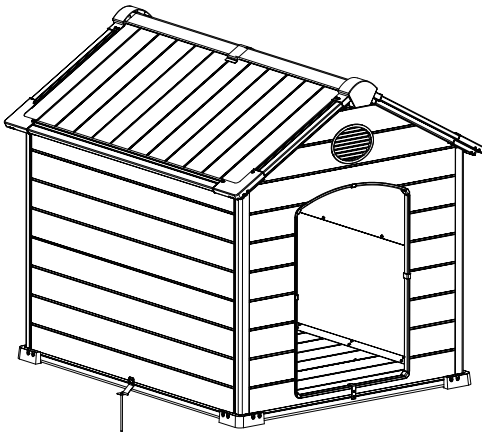
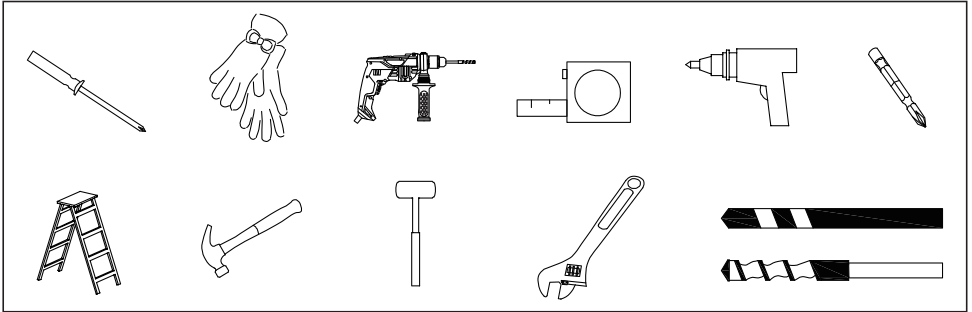
## 3. Leave enough space

Access is required around the shed during assembly.



# Contents

## REQUIRED TOOLS




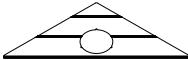

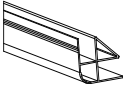

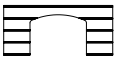

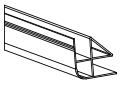



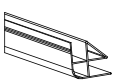

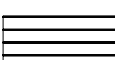

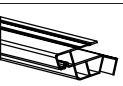

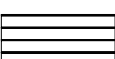



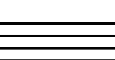

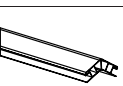

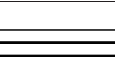

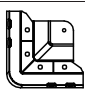

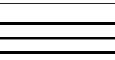

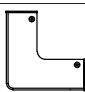

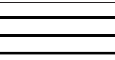



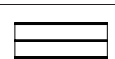



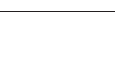

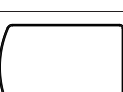
Please do not place step ladder directly on internal floor during construction. Please place a suitable board between the floor and ladder as small/pointed edges may damage the floor area.

# Accessories & Parts 1

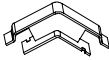


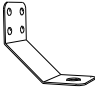


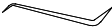

## IMPORTANT INFORMATION:

PLEASE READ CAREFULLY & RETAIN FOR FUTURE REFERENCE: READ CAREFULLY.

1. Unpack, organise and carefully check all parts prior to assembly.
2. Please assemble the shed on a flat, clean surface.
3. Please note: Two or more people are required for assembly.

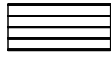
Item No.	Reference Image	Qty.	Item No.	Reference Image	Qty.
		X2			X2
		X1			X2
		X1			X4
		X1			X2
		X1			X4
		X2			X2
		X2			X4
		X2			X4
		X1			X2
		X6			X2
		X2			X1

## Accessories & Parts 2

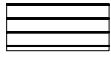
Item no.	Reference Image	Qty.
G		X1
L	 M5X14mm	X144
O	 M5X20mm	X16
T		X2
D		X2
GD K-1		X8
N		X1
M	 M4X12MM	X16

# Base Installation 1

# 1

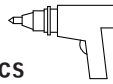


XL-B08 2pcs



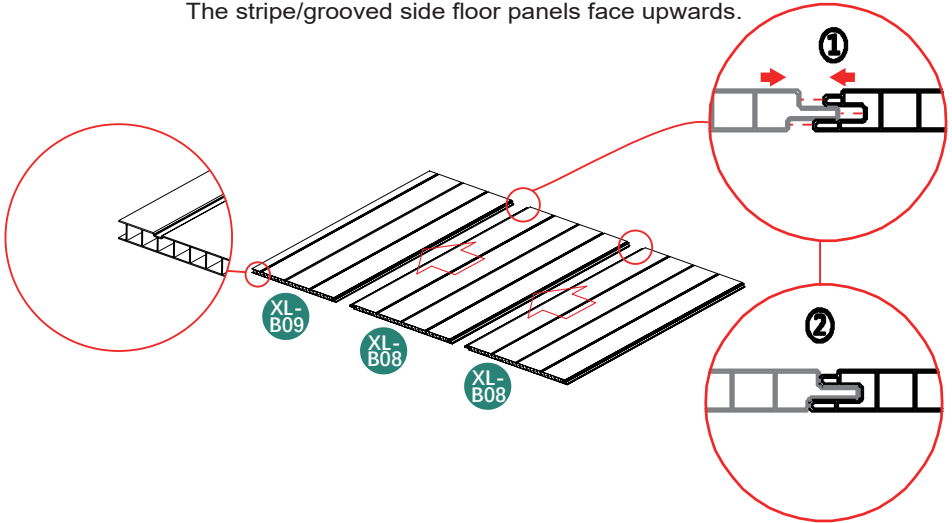
XL-B09 1pc

L 6pcs



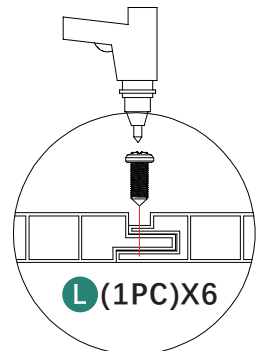
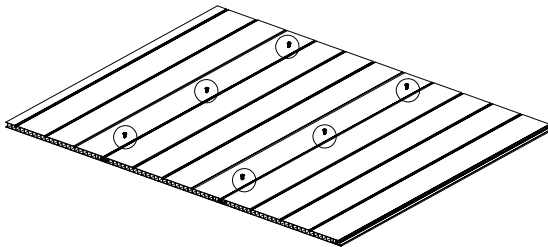
## Please Note:

The stripe/grooved side floor panels face upwards.



## Important:

Please ensure the grooves are fully connected tightly together.



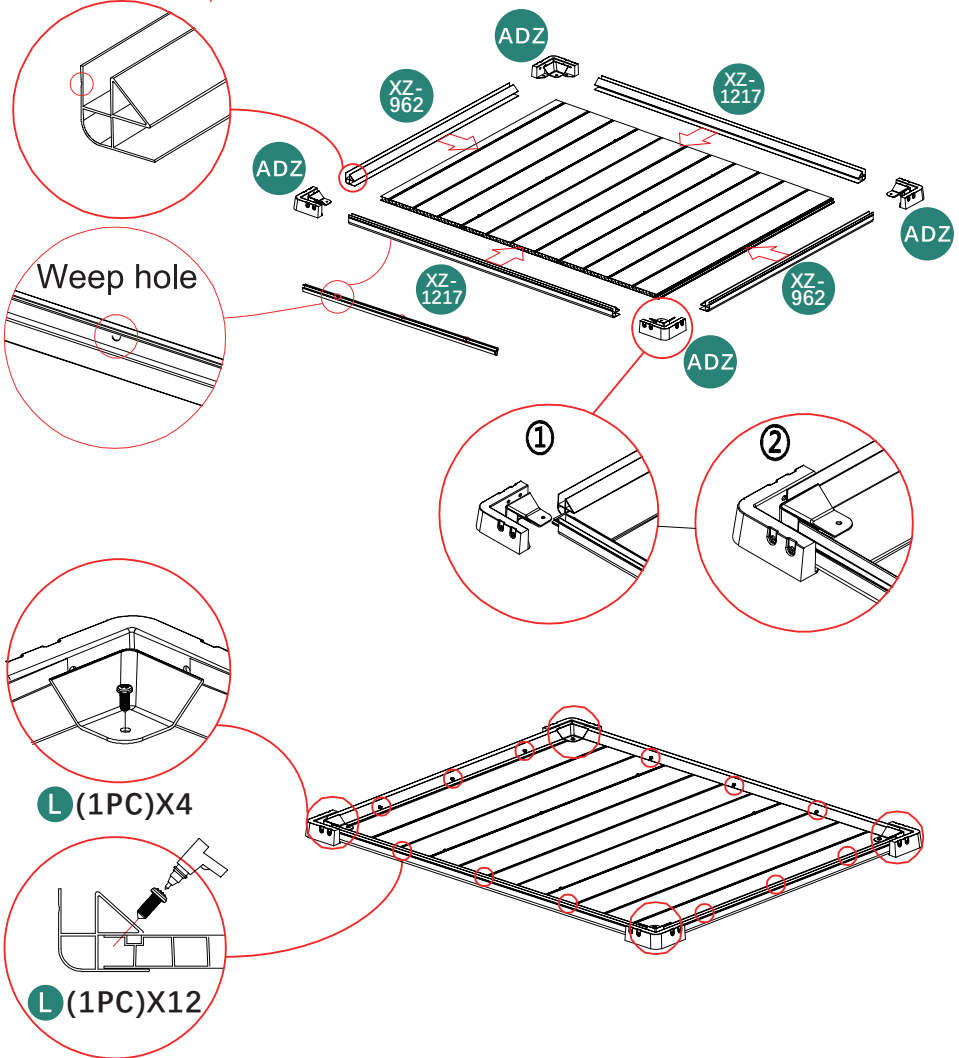
Fit the screws as shown after the boards are fitted together securely.

# Base Installation 2

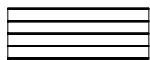
# 2



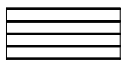
Groove up ↑



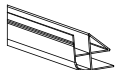
# 3



XL-B06 2pcs

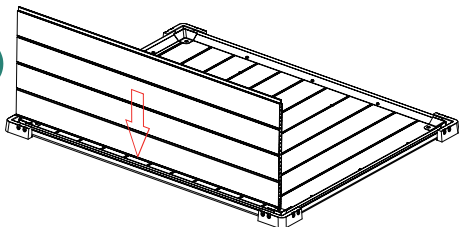


XL-B05 1pc



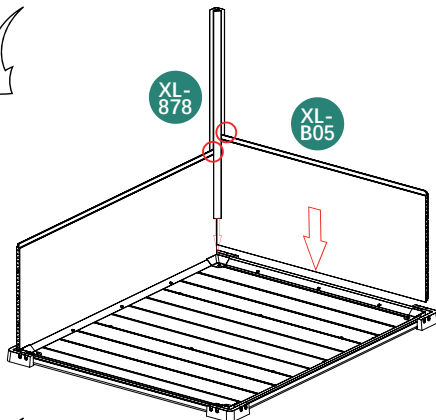
XL-878 2pcs

XL-B06



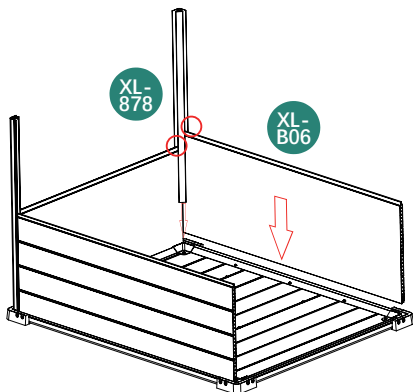
XL-878

XL-B05

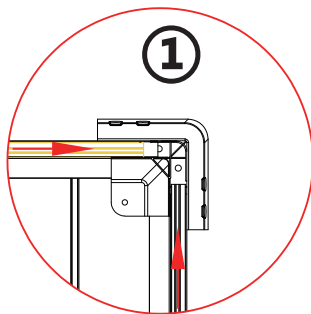


XL-878

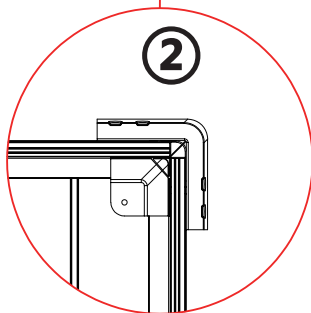
XL-B06



1

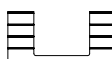
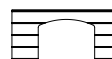
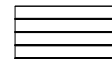

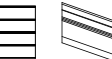



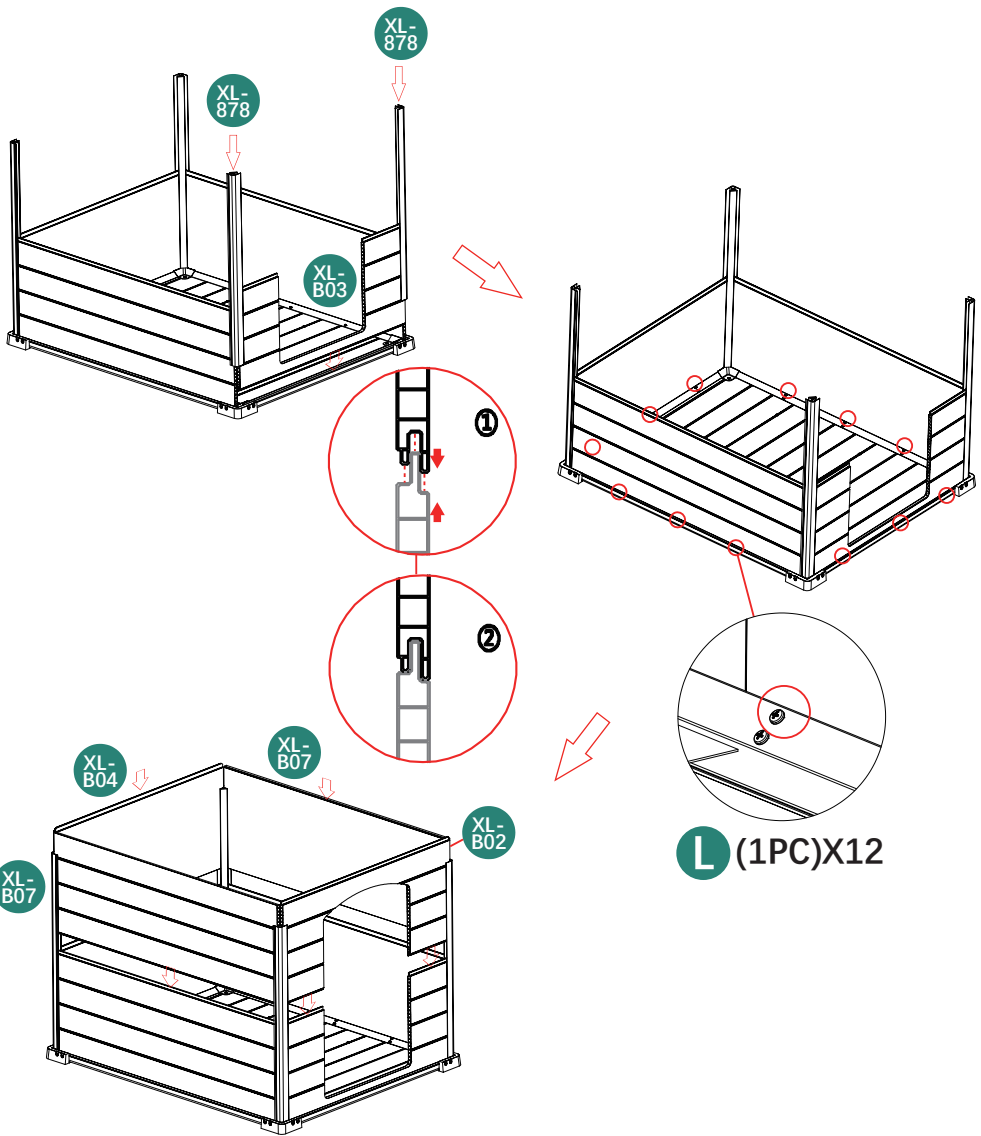
2



Please ensure the panels are fitted together without any gap.

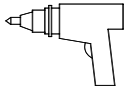
# 4

-  XL-B03 1pc
-  XL-B02 1pc
-  XL-B07 2pcs
-  XL-B04 1pc
-  XL-878 2pcs
-  L 12pcs

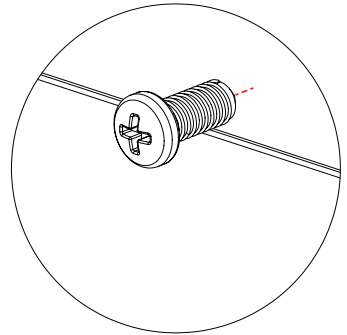
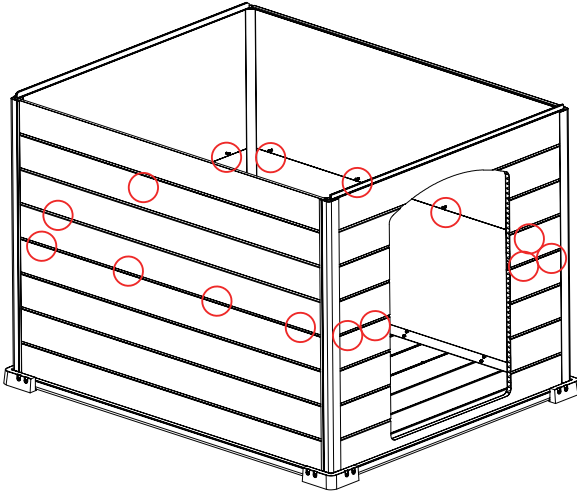


Please ensure the panels are fitted together without any gap.

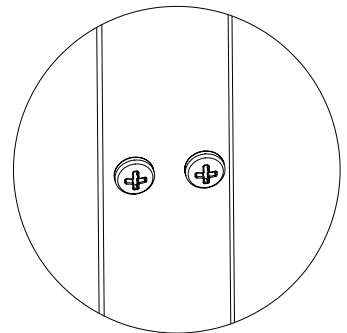
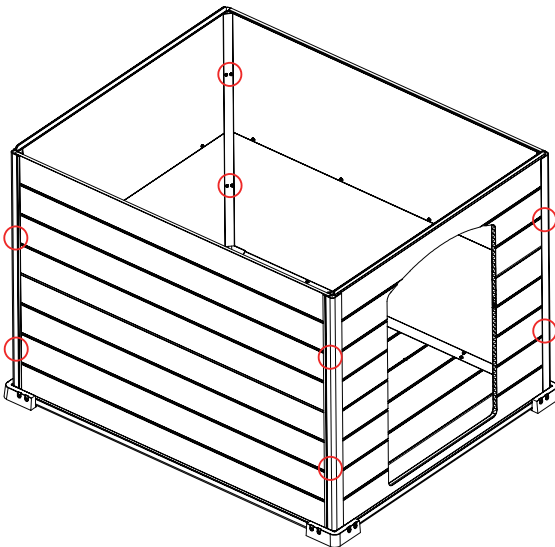
5



L 31pcs



L (1PC)X15



L (2PCS)X8

# 6



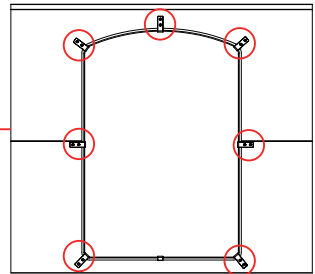
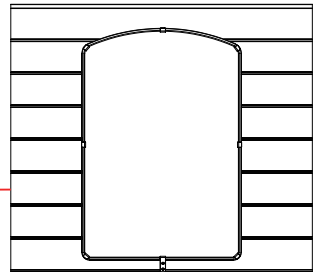
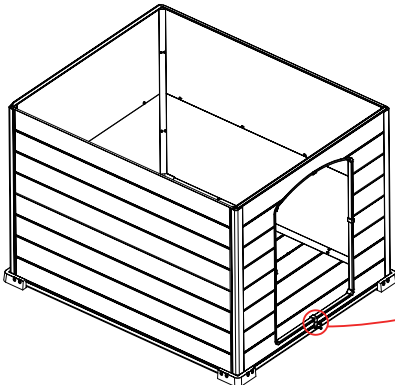
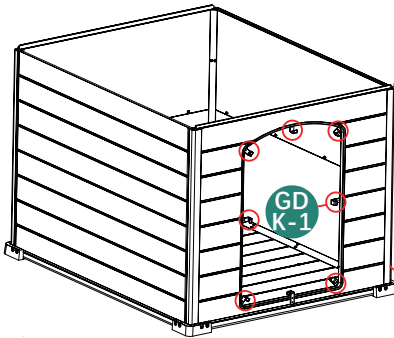
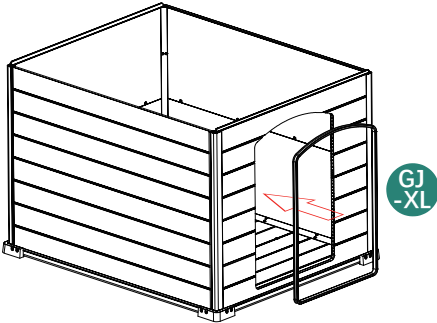
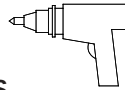
GJ-XL 1pc



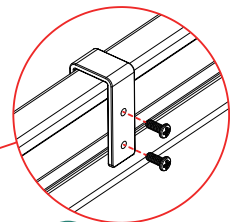
GD-K-1 8pcs



M 16pcs

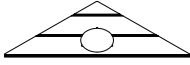


M (2PCS)X7



M 2PCS

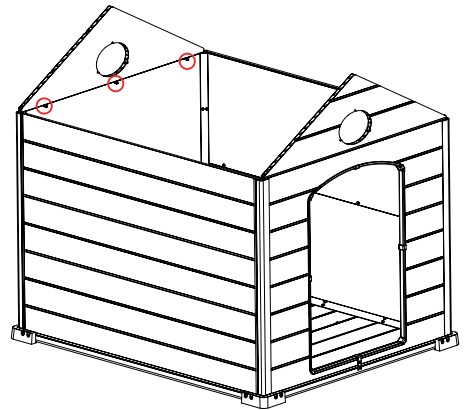
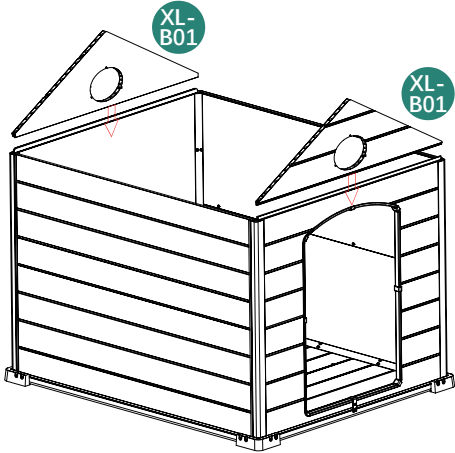
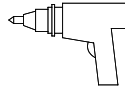
7



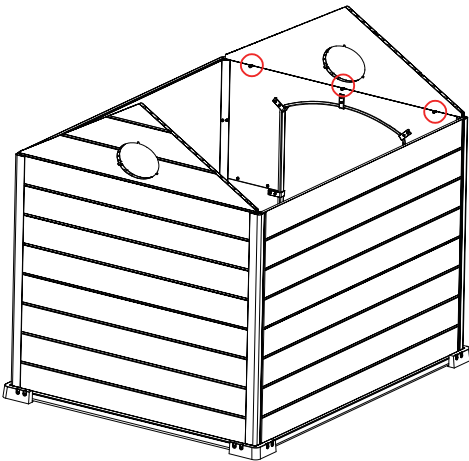
**XL-B01** 2pcs



**L** 6pcs



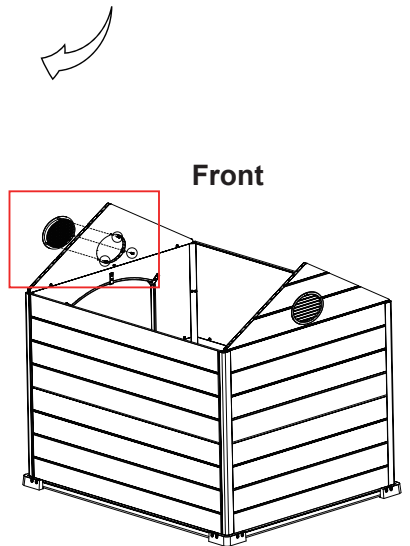
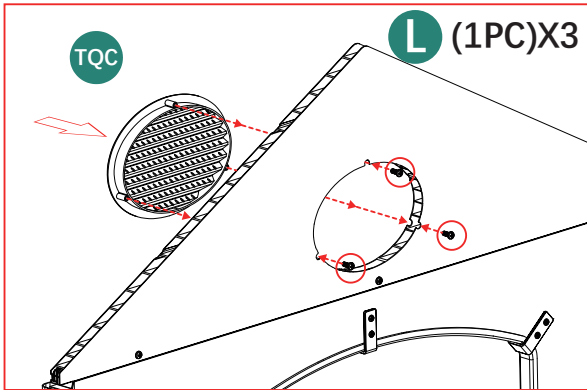
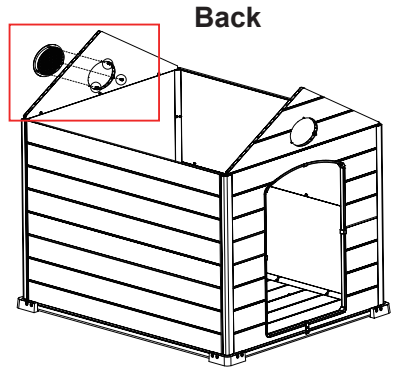
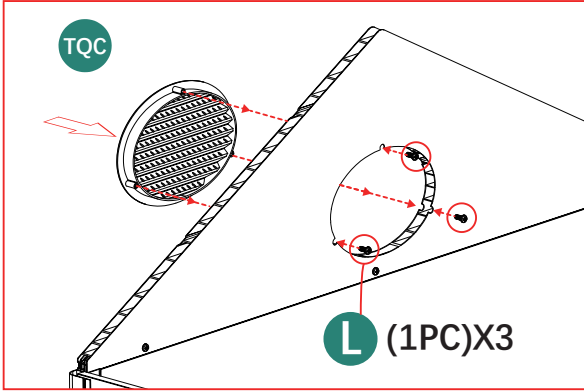
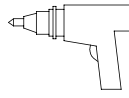
**L** (1PC)X3



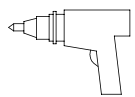
**L** (1PC)X3

Please ensure the panels are fitted together without any gap.

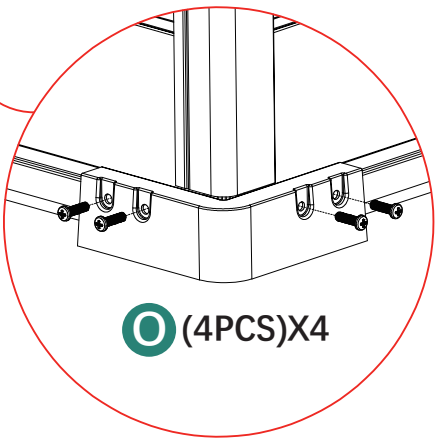
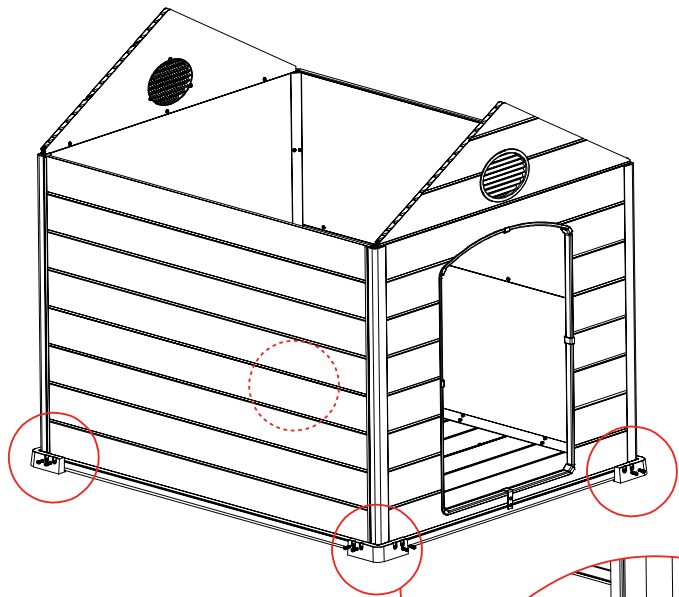
8



9

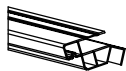


○ 16pcs



○ (4PCS)X4

# 10



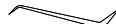
**XD-1227** 2pcs



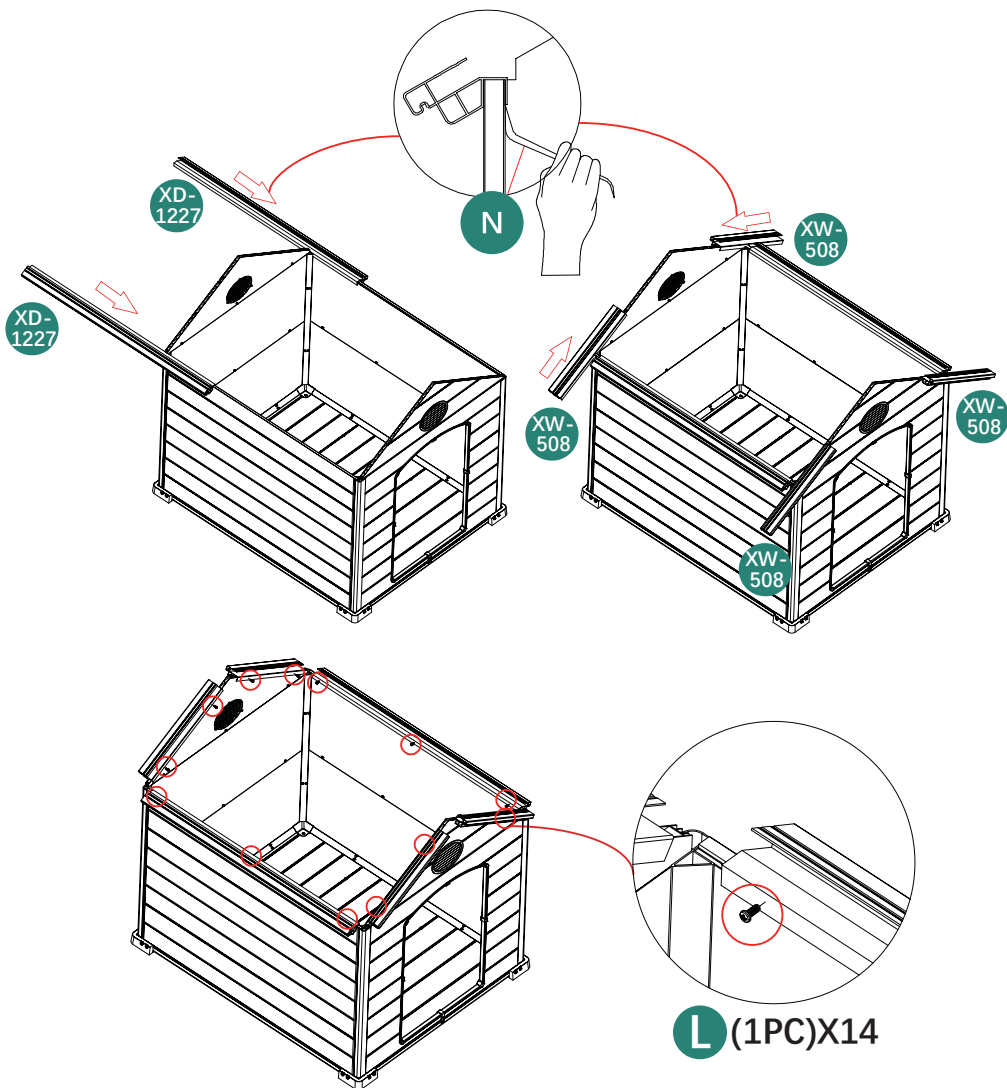
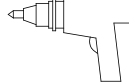
**XW-508** 4pcs



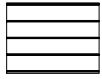
**L** 14pcs



**N** 1pc



# 11



XL-B10

6pcs



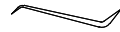
XL-B11

2pcs



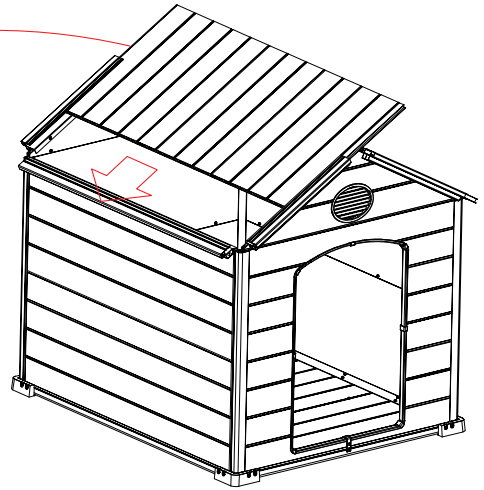
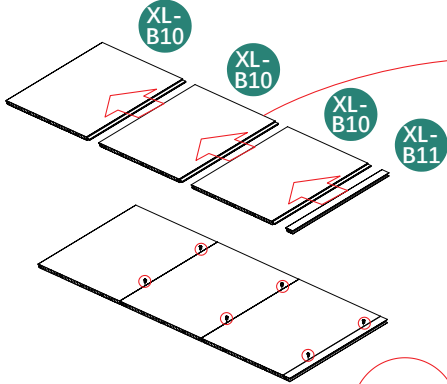
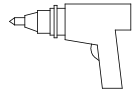
L

12pcs

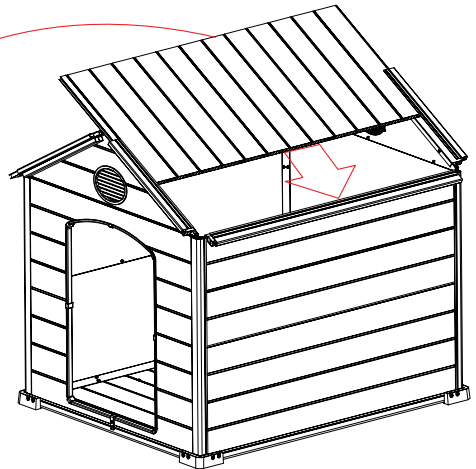
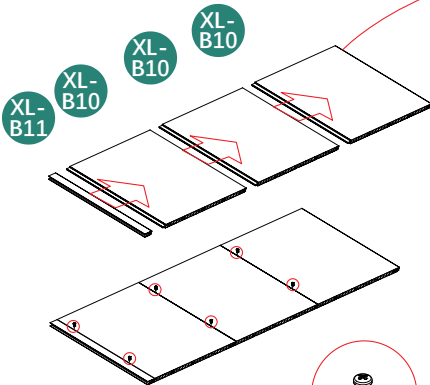


N

1pc

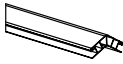
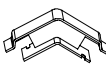

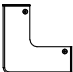
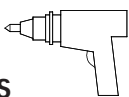



**L** (1PC)X6

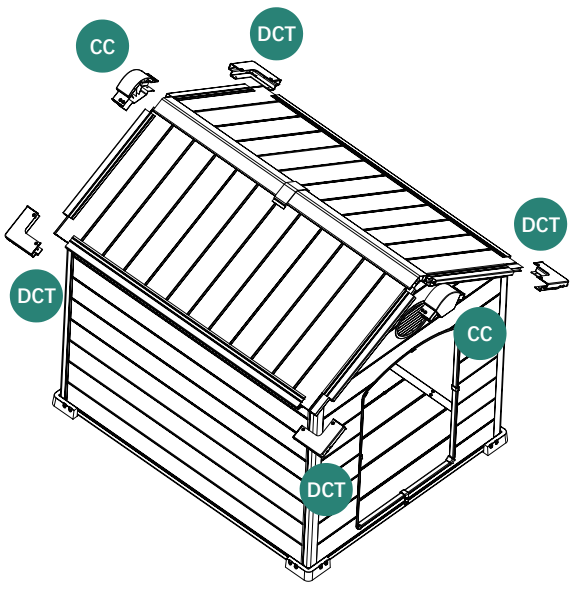
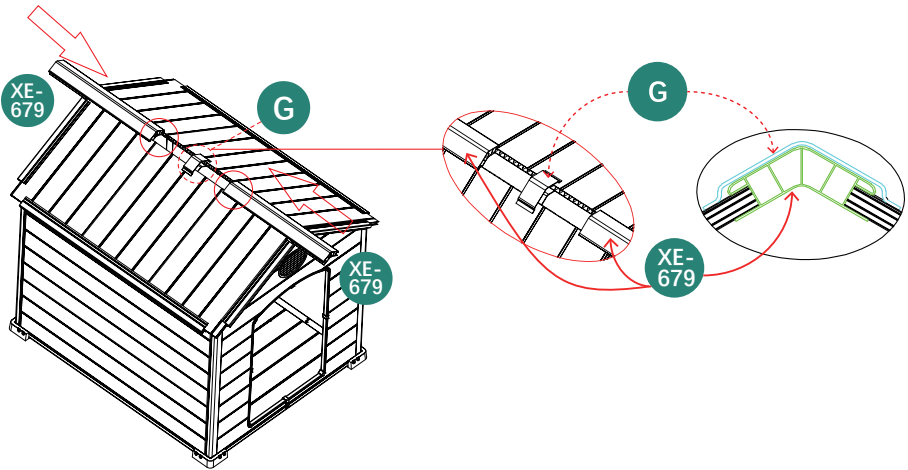


**L** (1PC)X6

# 12


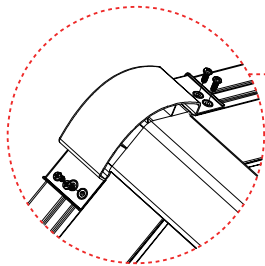
     

**XE-679** 2pcs   **G** 1pc   **CC** 2pcs   **DCT** 4pcs

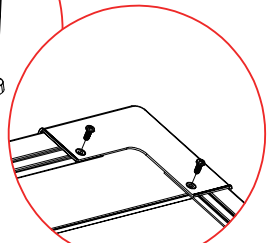
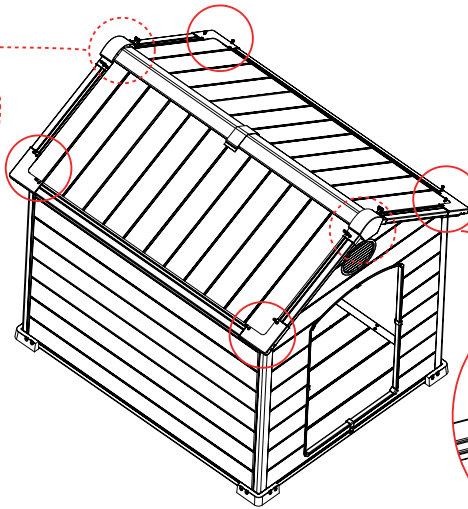


**13**

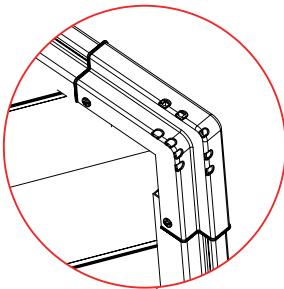
**L 28pcs**

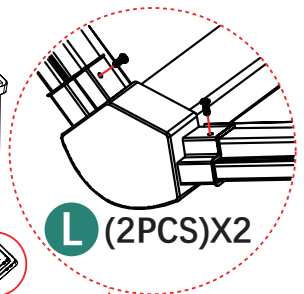
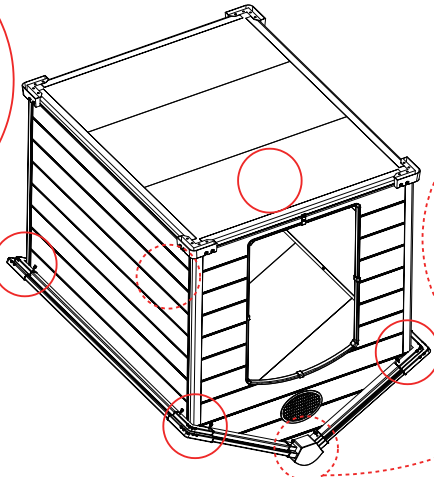
**L (4PCS)X2**



**L (2PCS)X4**



**L (2PCS)X4**



**L (2PCS)X2**

14



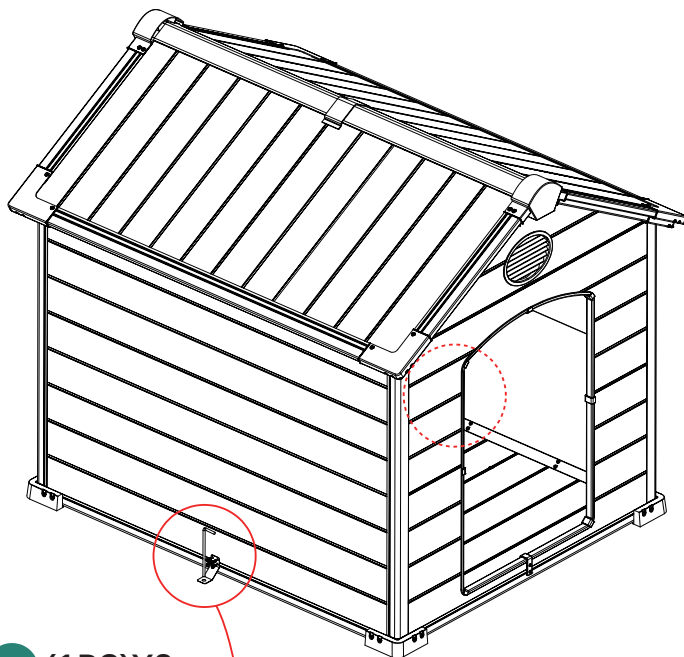
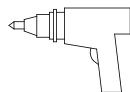
D 2pcs



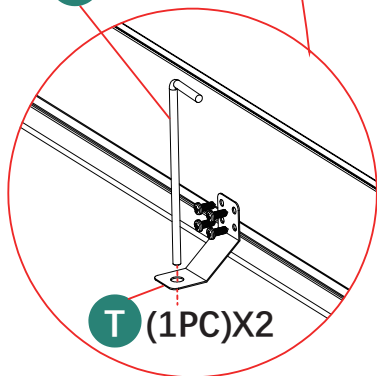
T 2pcs



L 8pcs



D (1PC)X2



T (1PC)X2

L (1PC)X4

