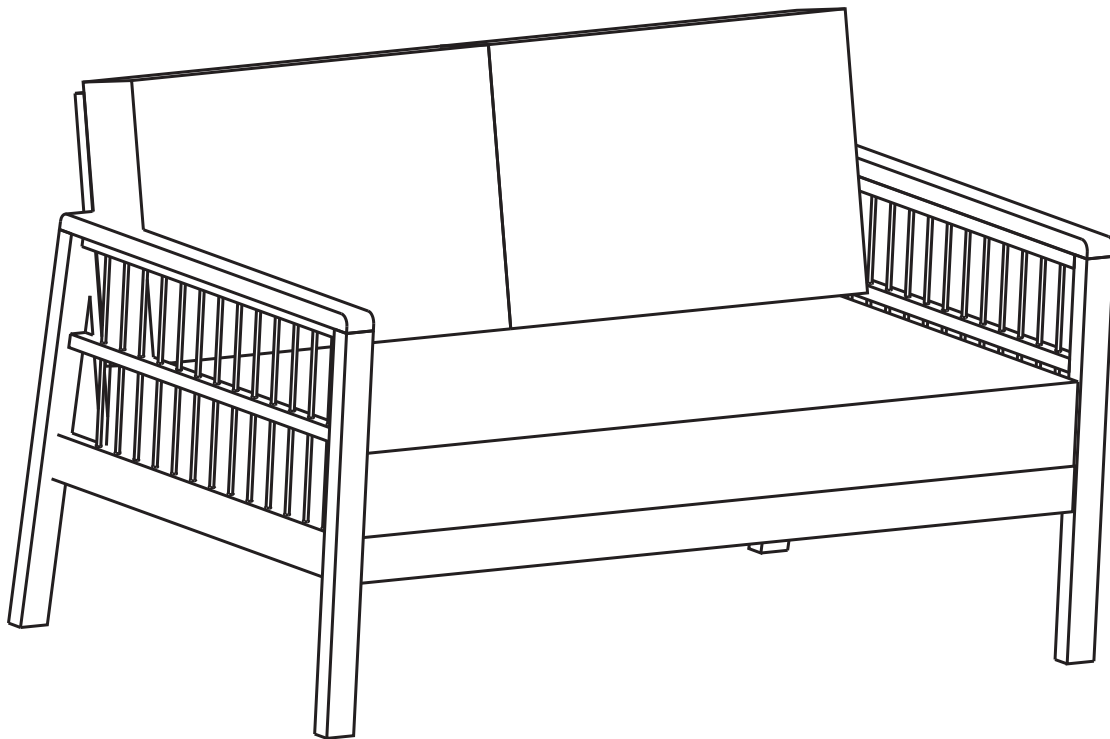


Assembly Instructions

Caution: You must read this before you proceed

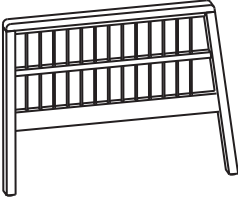
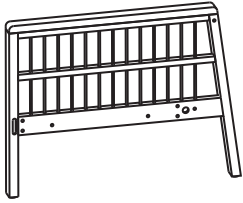
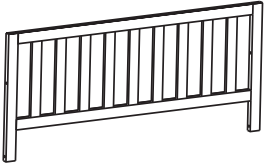
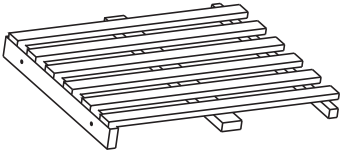
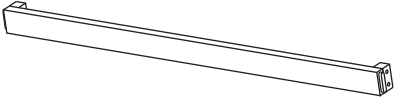
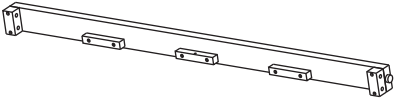

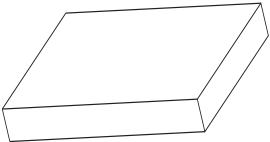
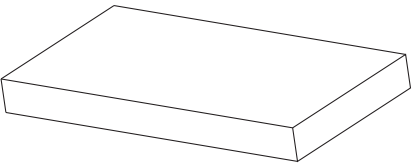
Please look in the Leg Panel for hardware packs

LOVESEAT

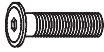







Caution: This Loveseat is NOT a TOY.
Keep your child / children at bay during the assembly process.
Whenever moving or lifting the Loveseat and to prevent any possible damage to it, two adults are needed to execute this action.

Parts List

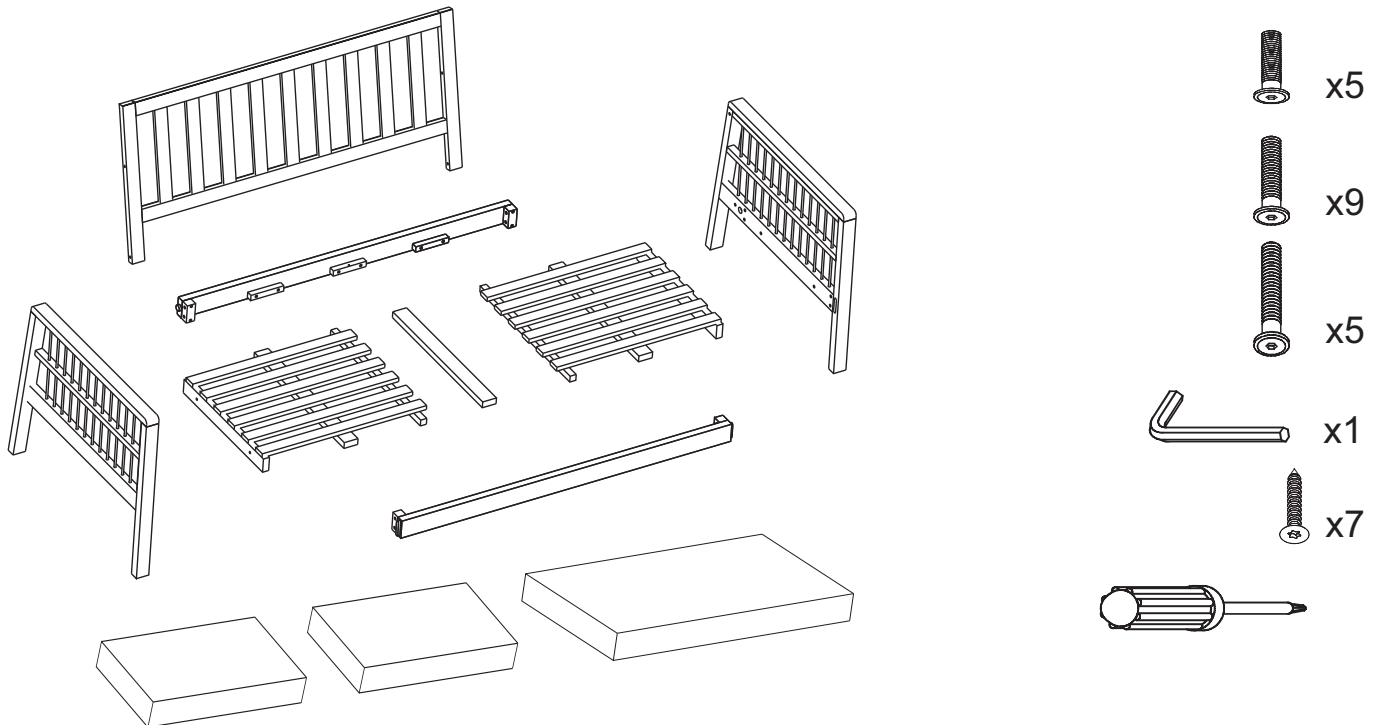
Label	Picture	Description	QTY
A		Right Leg Panel	1
B		Left Leg Panel	1
C		Backrest Panel	1
D		Seat Panel	1
E		First Support Bar	1
F		Second Support Bar	1
G		Third Support bar	1
H		Backrest Cushion	2
I		Seat Cushion	1

Hardware

Label	Picture	Description	QTY
①		Bolt (M6x35 mm)	5
②		Bolt (M6x45 mm)	9
③		Bolt (M6x60 mm)	5
④		Allen Wrench	1
⑤		Screw (M4x35mm) (Use with Screwdriver)	7
⑥		Screwdriver	(Not provided)

Assembly Preparation

Before Beginning Assembly:



- Read instructions, cover to cover-



- Have 2 adults on hand for assembly-



- Do not assemble on flooring or carpet-



- Assemble on a clean non-marring surface (packing foam)-

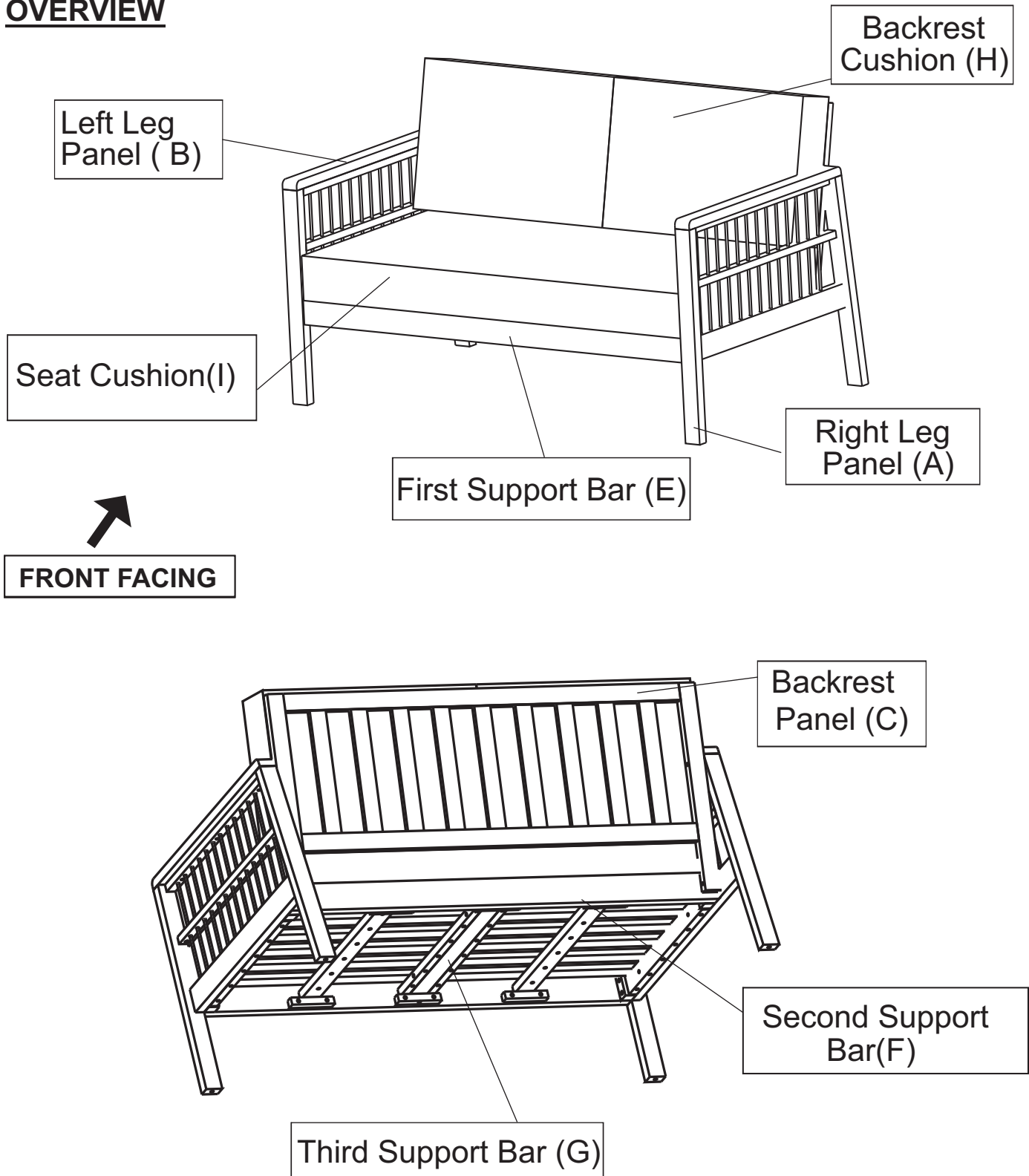


- Save all packaging until finished-

Assembly Preparation

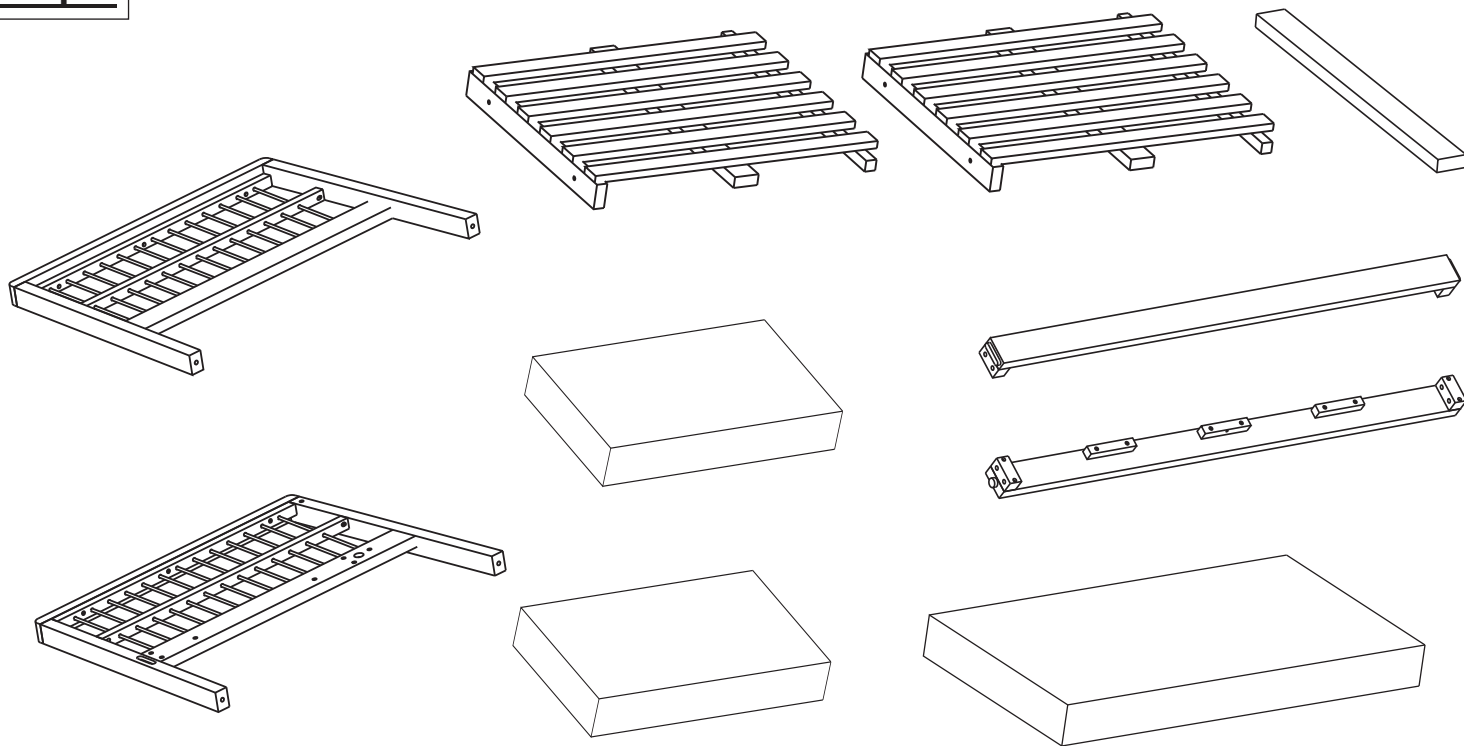
Before Beginning Assembly:

OVERVIEW



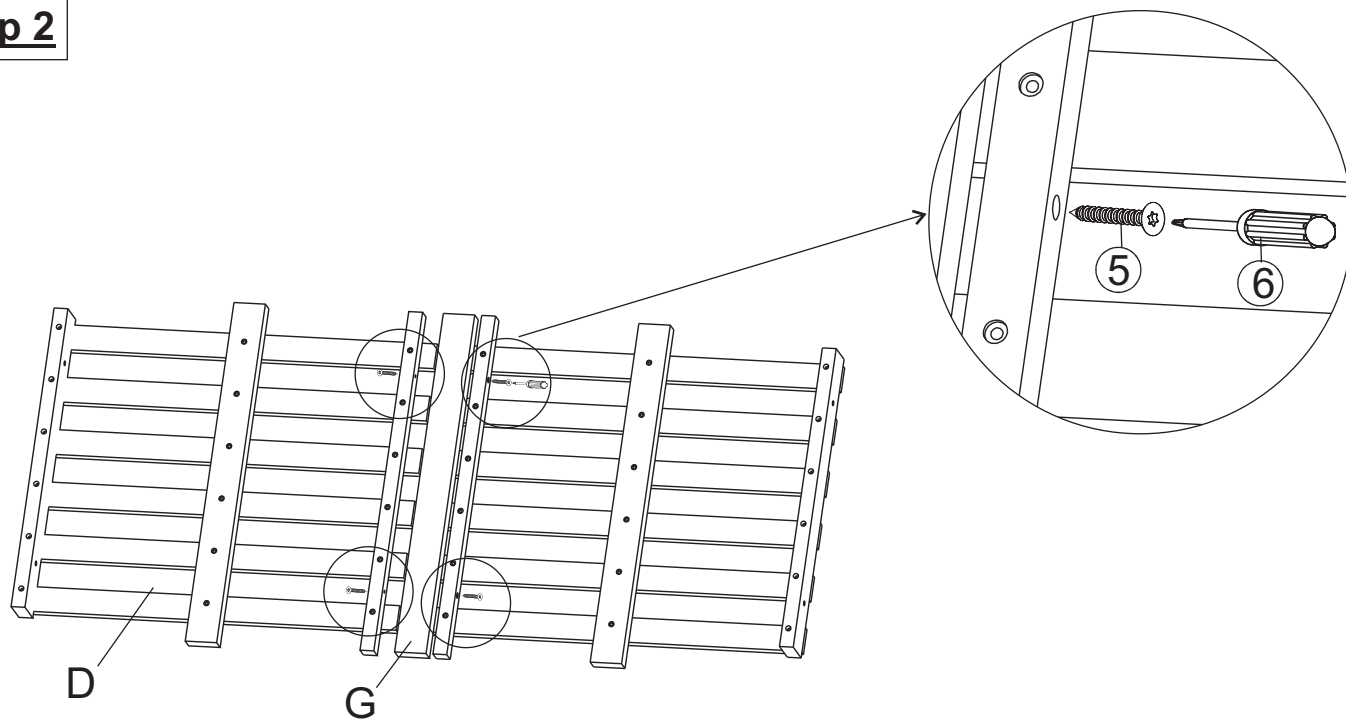
This Loveseat has multiple parts and may require up to 30 minutes to assemble. To give you an overview of the Loveseat parts, the above picture is to help you put the various parts into perspective. Please read through the instructions below to familiarise yourself with the parts and steps before assembly.

Step 1



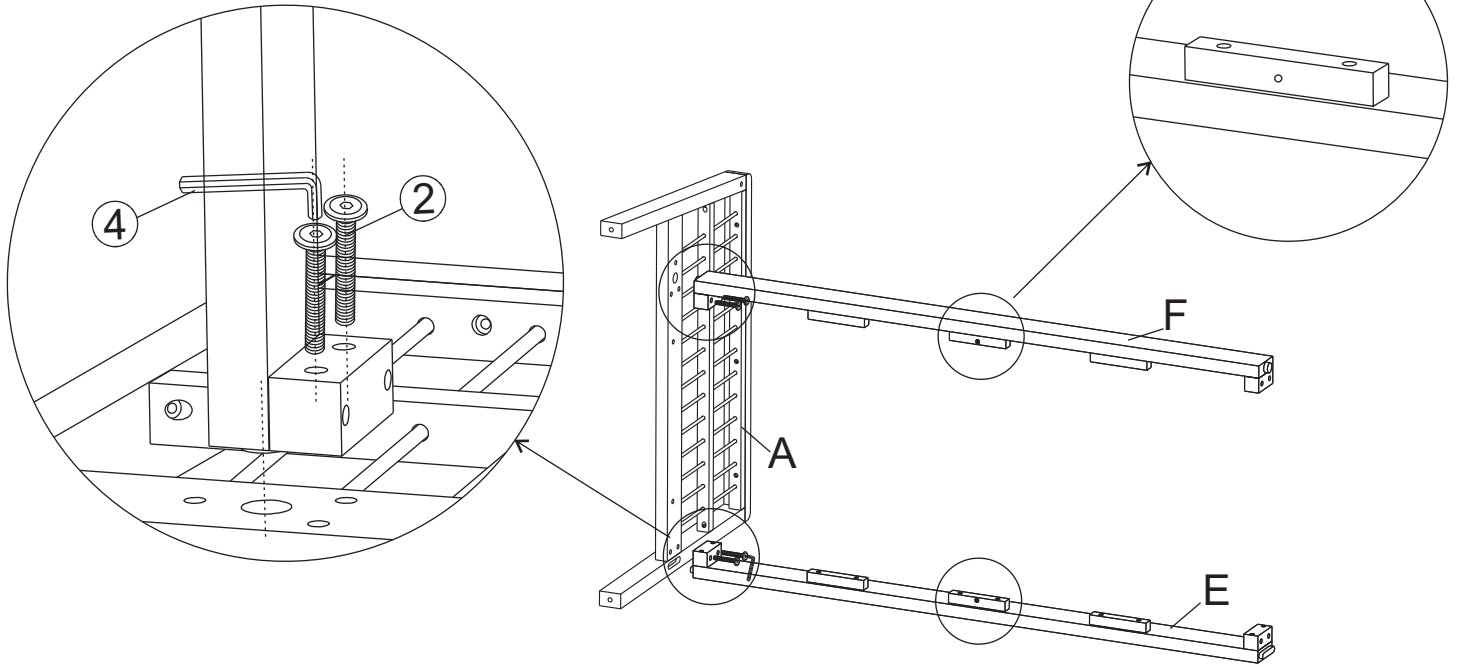
Unpack and place all parts on a clean, non-marring surface.

Step 2



Attach Third Support Bar (G) to the Seat Panel (D) using Screw (5) and a Screwdriver (6) as shown above

Step 3

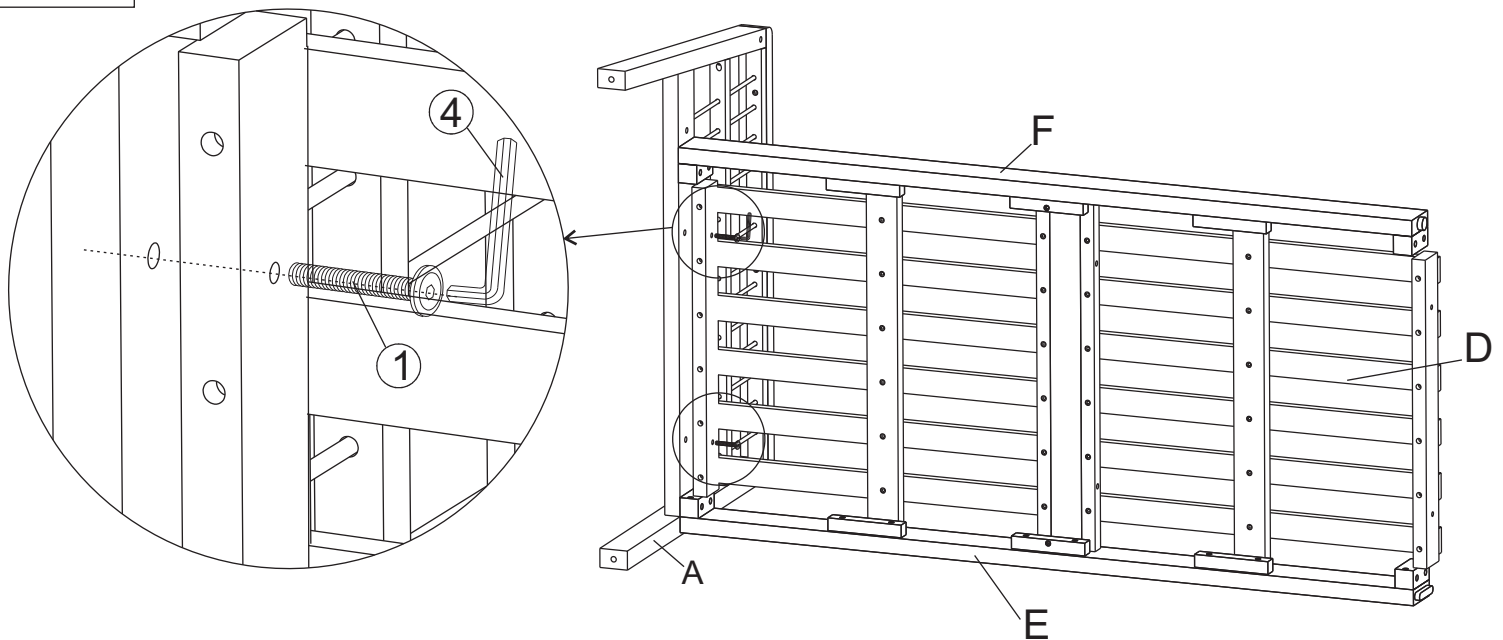


With the help of your adult partner, put the tenon of the First Support Bar (E) and Second Support Bar (F) into the mortise of the Right Leg Panel (A) then secure the First Support Bar (E) and Second Support Bar (F) to the Right Leg Panel (A) using 4 Bolts (②) and the Allen Wrench (④) as shown above

Do not fully tighten the Bolts.

Note: The Wooden Blocks on the First Support Bar (E) and the Second Support Bar (F) shall be opposite of each other

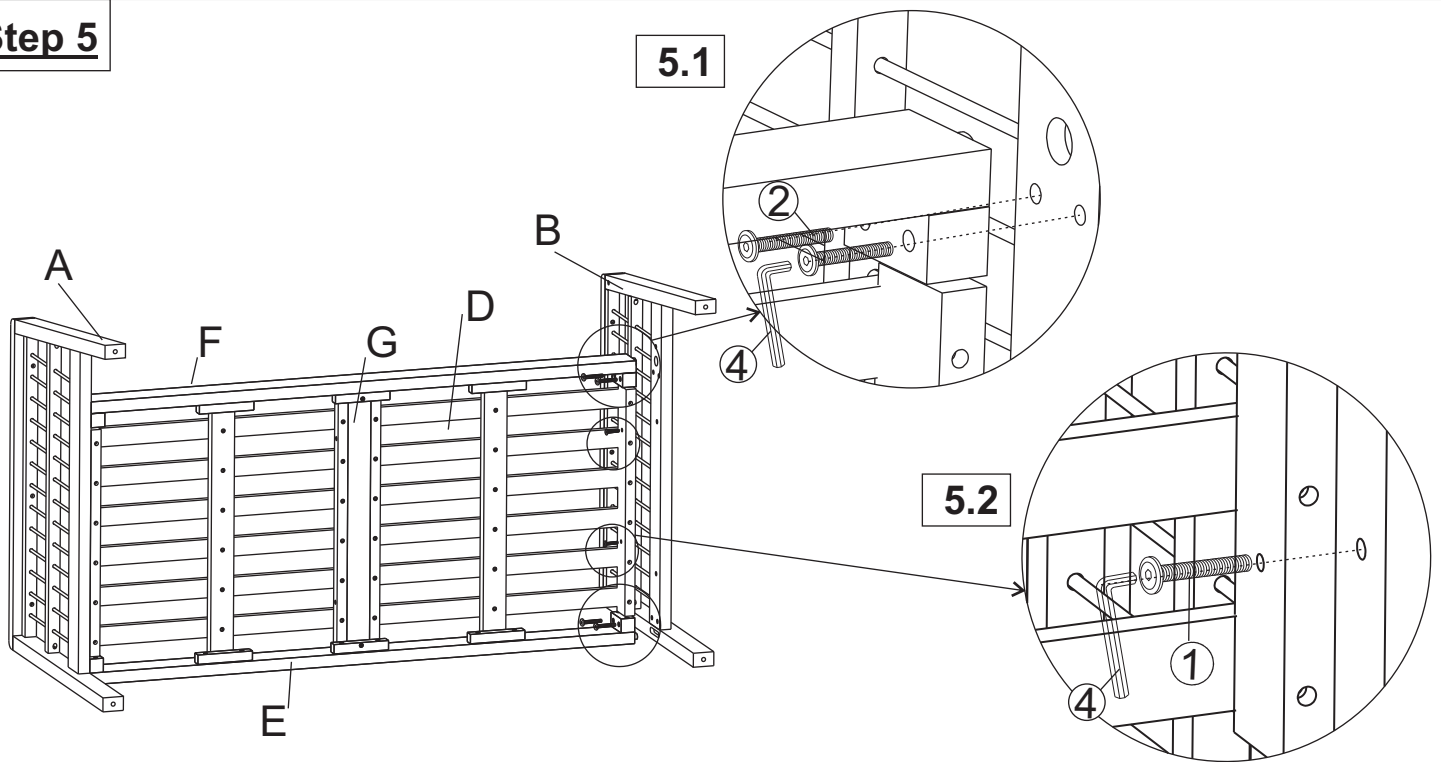
Step 4



With the help of your adult partner, position the Seat Panel (D) to the assembled part in step 2, then secure the Seat Panel (D) to the Right Leg Panel (A) using Bolts (①) and the Allen Wrench (④) as shown above

Do not fully tighten the Bolts.

Step 5



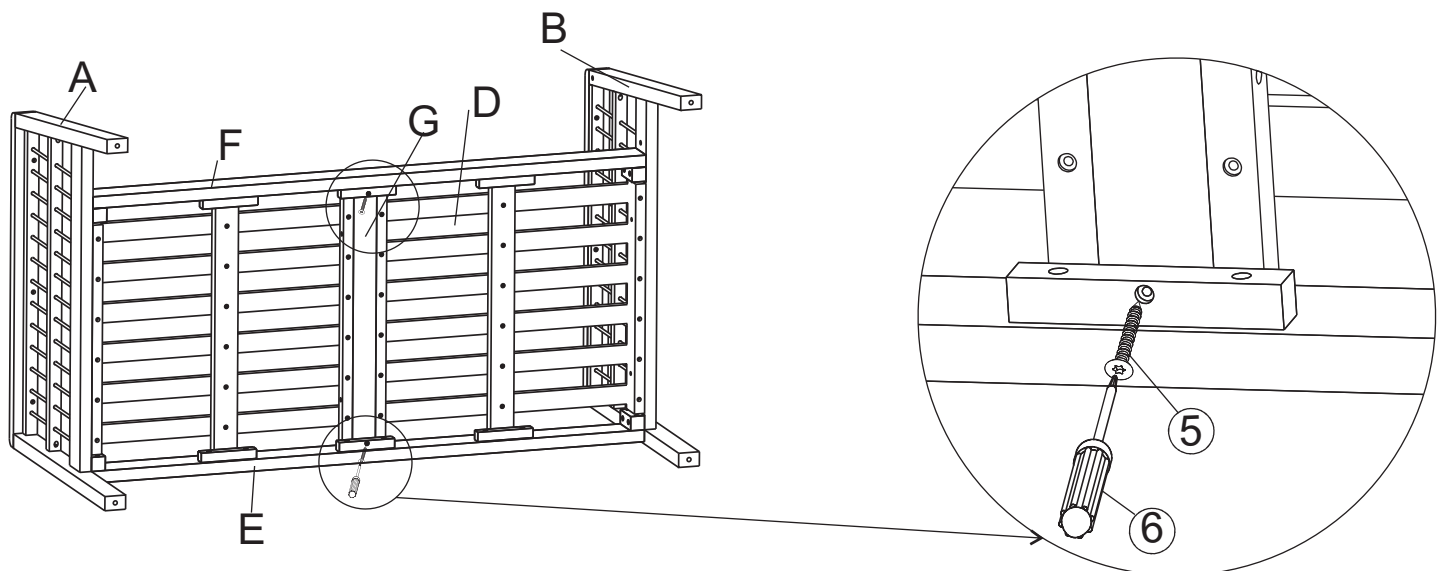
With the help of your adult partner, position the Left Leg Panel (B) to the assembled part in step 3 then:

5.1. Attach the tenons of the First Support Bar (E) and Second Support Bar (F) into the mortise of the Left Leg Panel (B) using Bolts (②) and the Allen Wrench (④) as shown above

5.2. Attach the Seat Panel (D) to the Left Leg Panel (B) using Bolts (①) and the Allen Wrench (④) as shown above

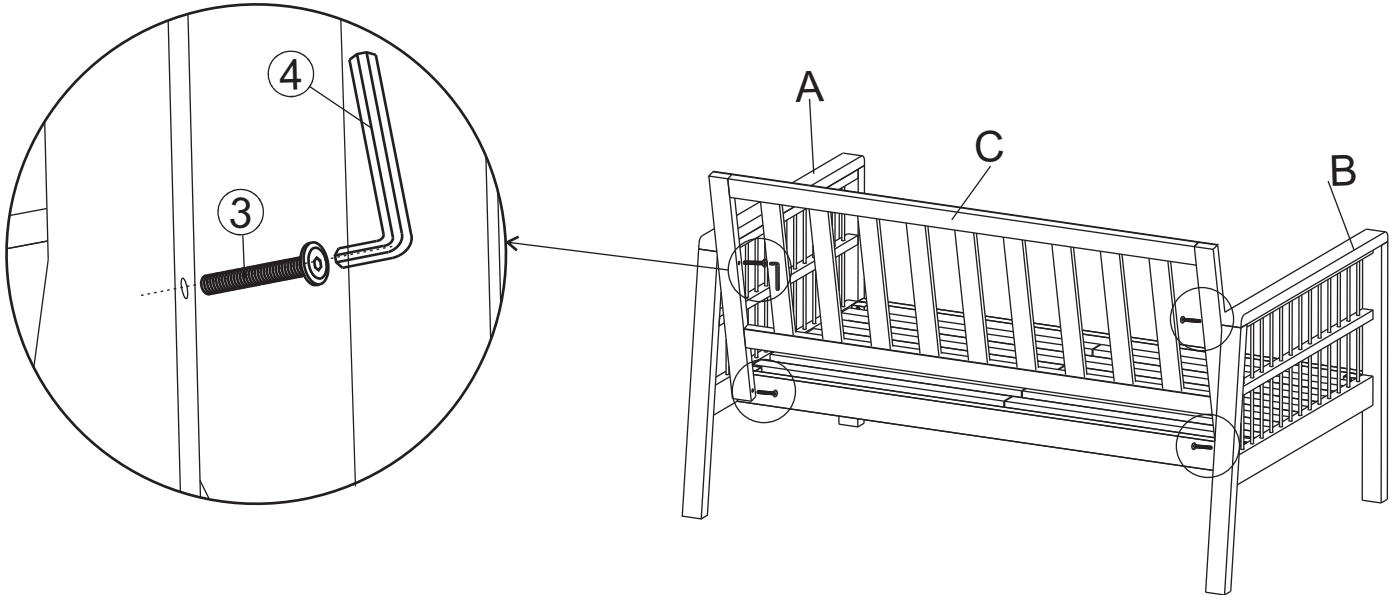
Do not fully tighten the Bolts.

Step 6



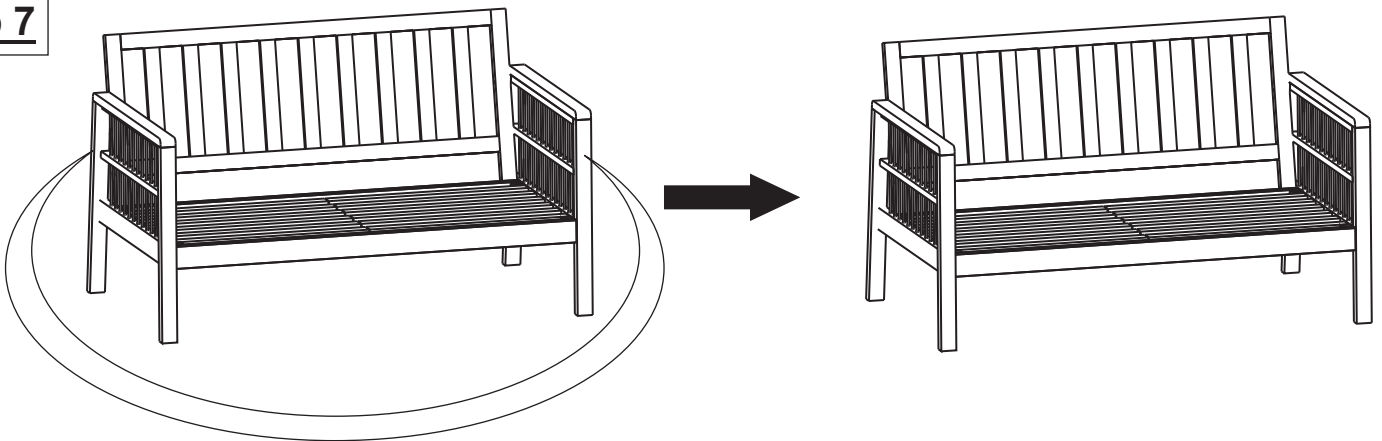
With the help of your adult partner, secure the Third Support Bar (G) to the First Support Bar (E) and Second Support Bar (F) using Screws (⑤) and Screwdriver (⑥) as shown above

Step 6



With the help of your adult partner, stand the assembled part in step 6, then attach the Backrest Panel (C) to the Right Leg Panel (A) and Left Leg Panel (B) of the assembled part in step 6 using Bolts (③) and the Allen Wrench (④) as shown above
Do not fully tighten Bolts.

Step 7



With assistance from your adult partner, stand the Loveseat up
Exert pressure floorwards, onto the Loveseat with both your hands.
This pressure will help the Legs and Loveseat reach full alignment status.

Check for wobbles on a LEVEL surface.

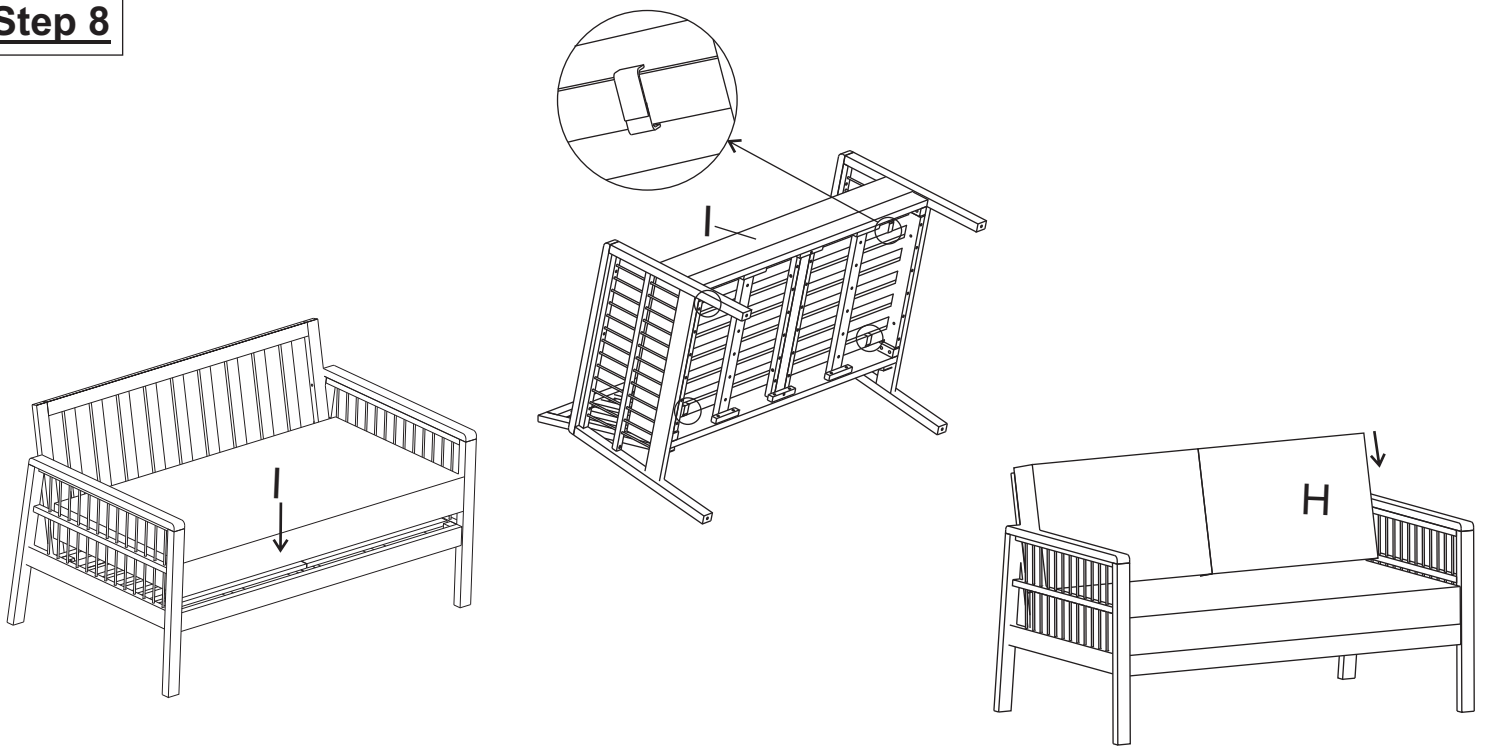
If no wobbles are found proceed to tighten Bolts and Screws in a sequential manner, until evenly secured.

When tightening Bolts and Screws tighten sequentially.

Do not tighten any Bolt or Screw fully and then move on towards the next one.

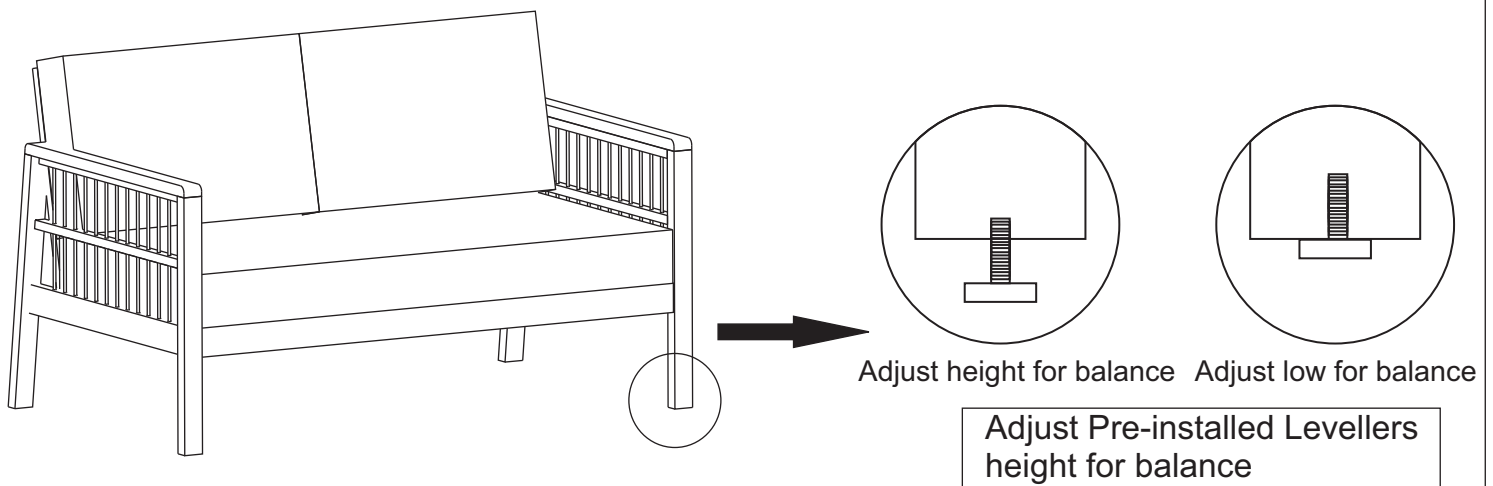
If there are still wobbles after tightening, loosen Bolts and Screws and execute the same above process.

Step 8



Put Seat Cushion (I) then put Back Cushion (H) onto the Loveseat. Tie the magic tape straps of Seat Cushion (I) to the slat of Seat Panel (D) as shown above

Step 8












Tilt the Loveseat with the assistance from your partner.
Adjust the Levellers until the Loveseat is level with the ground.
To adjust the Levellers, get assistance from an adult partner to lift/lean and hold the Loveseat while you are working.

Your Loveseat is ready for use.

This Loveseat can only be used on a flat, level surface.

Care & Maintenance

- ⊘  ● Do not put hot items directly on furniture surface.
 - ⊘  ● Do not clean furniture with harsh cleansers or polish.
 - ✓  ● To obtain the longest lifespan of your outdoor products, minimizing exposure to direct sunlight is recommended.
 - ⊘  ● Children should not climb or jump on the furniture.
 - ⊘  ● Do not write on furniture without a padded barrier to protect the surface.
 - ✓  ● To obtain the longest lifespan of your outdoor products, avoid extended and lengthy exposure to rain, snow, and direct sunshine. Whenever possible cover the product and /or place under patio or awnings.
 - ⊘  ● Not for commercial use. For residential use only.
 - ⊘  ● Stains may be removed with mild soap solution and damp cloth.
 - ✓  ● Dust and pick-up spills using a clean, non-colored, lint-free cloth .
-