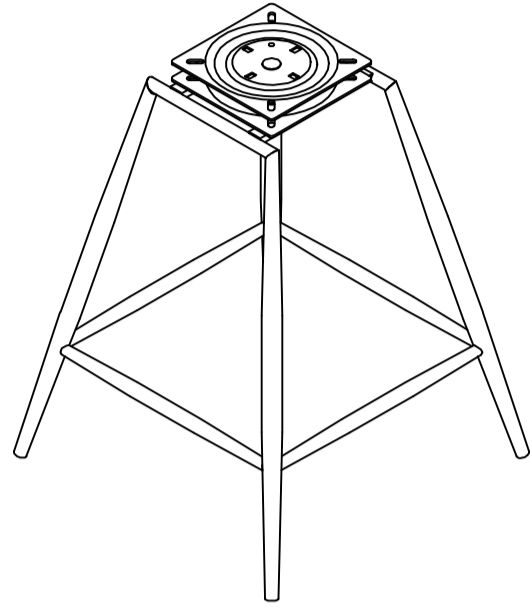


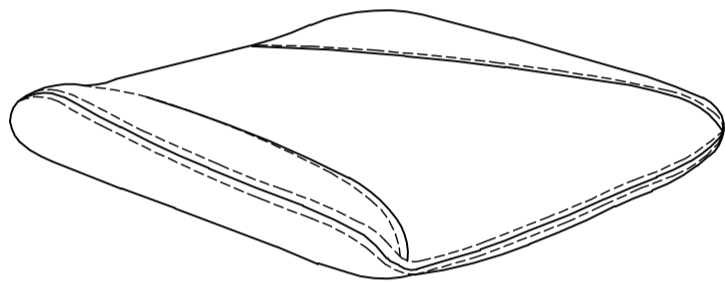
Assembly Instructions

Counter Stool

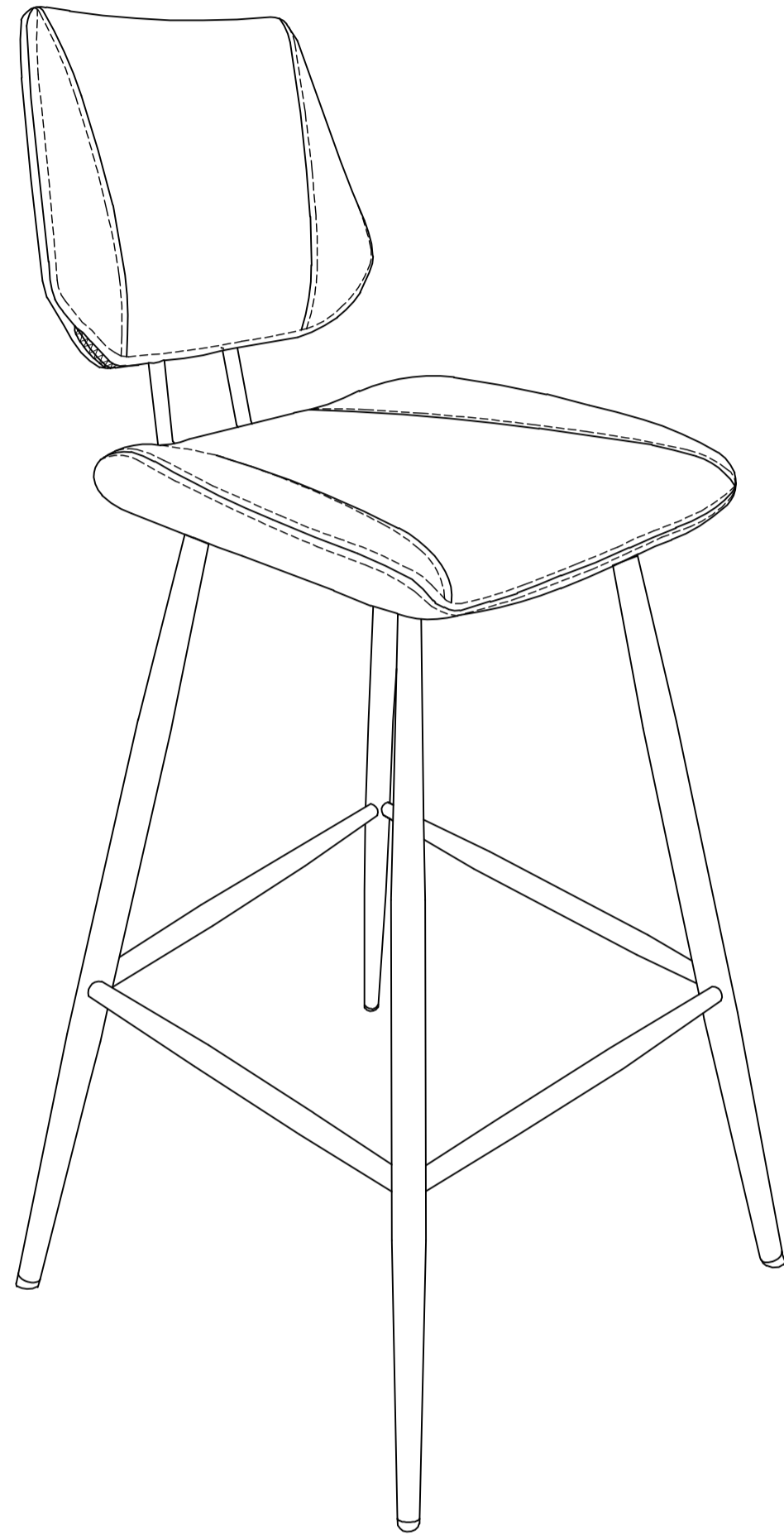
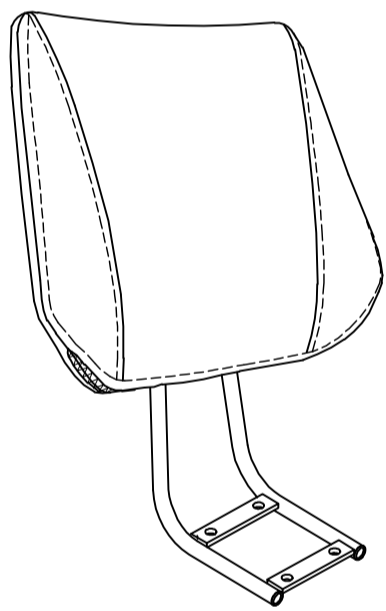
A. Stool Base 1 pc



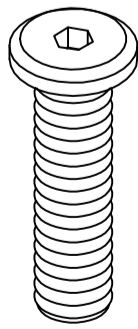
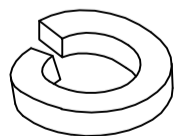
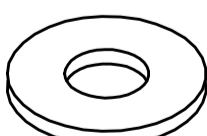
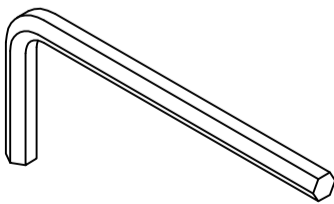
B. Seat Cushion 1 pc



C. Back Cushion 1 pc

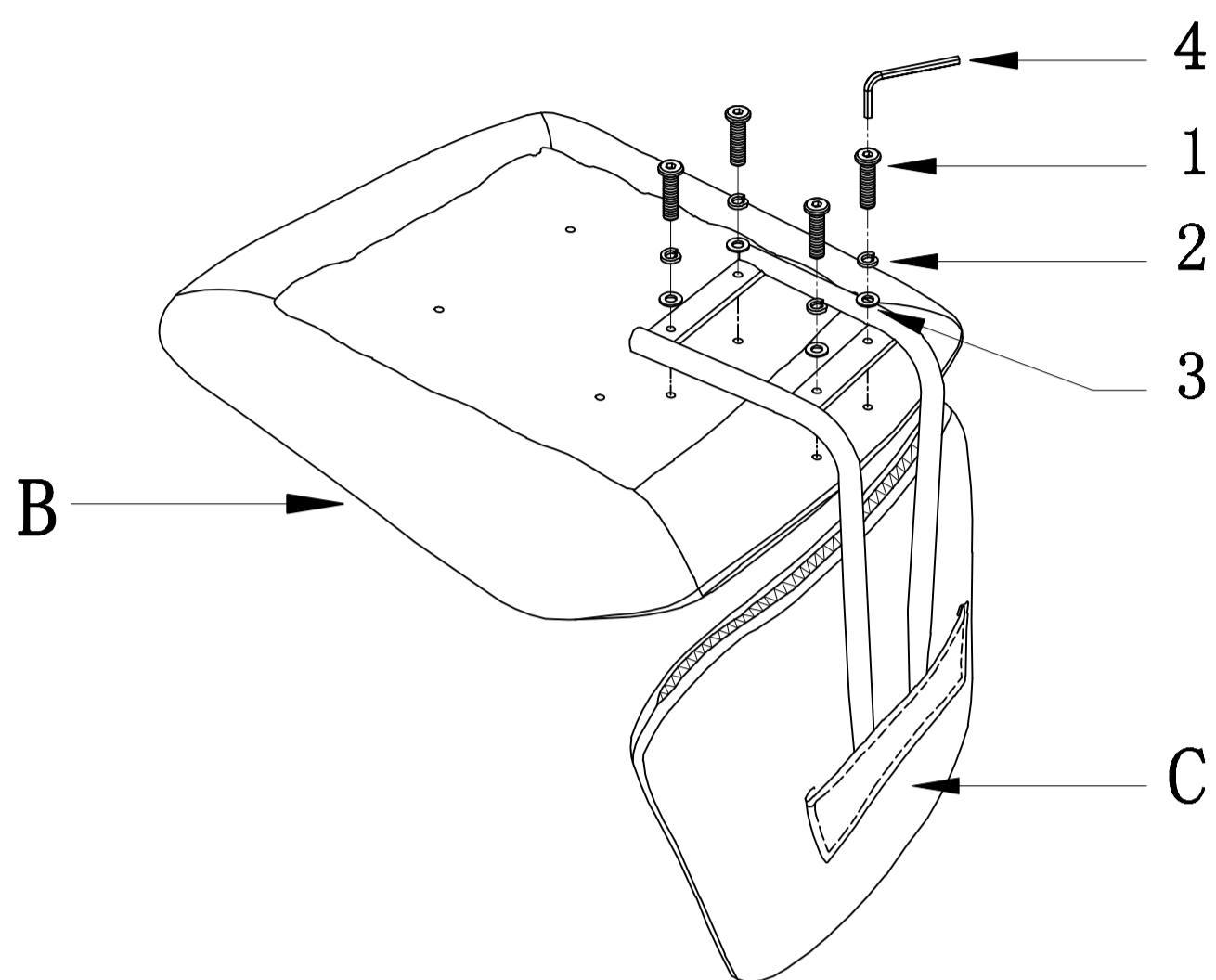


Hardware packed in box

1	THREADED BOLT M6*20MM	8 PCS	2	LOCK WASHER M6	8 PCS	3	WASHER M6	8 PCS	4	ALLEN KEY (4MM)	2 PCS
											

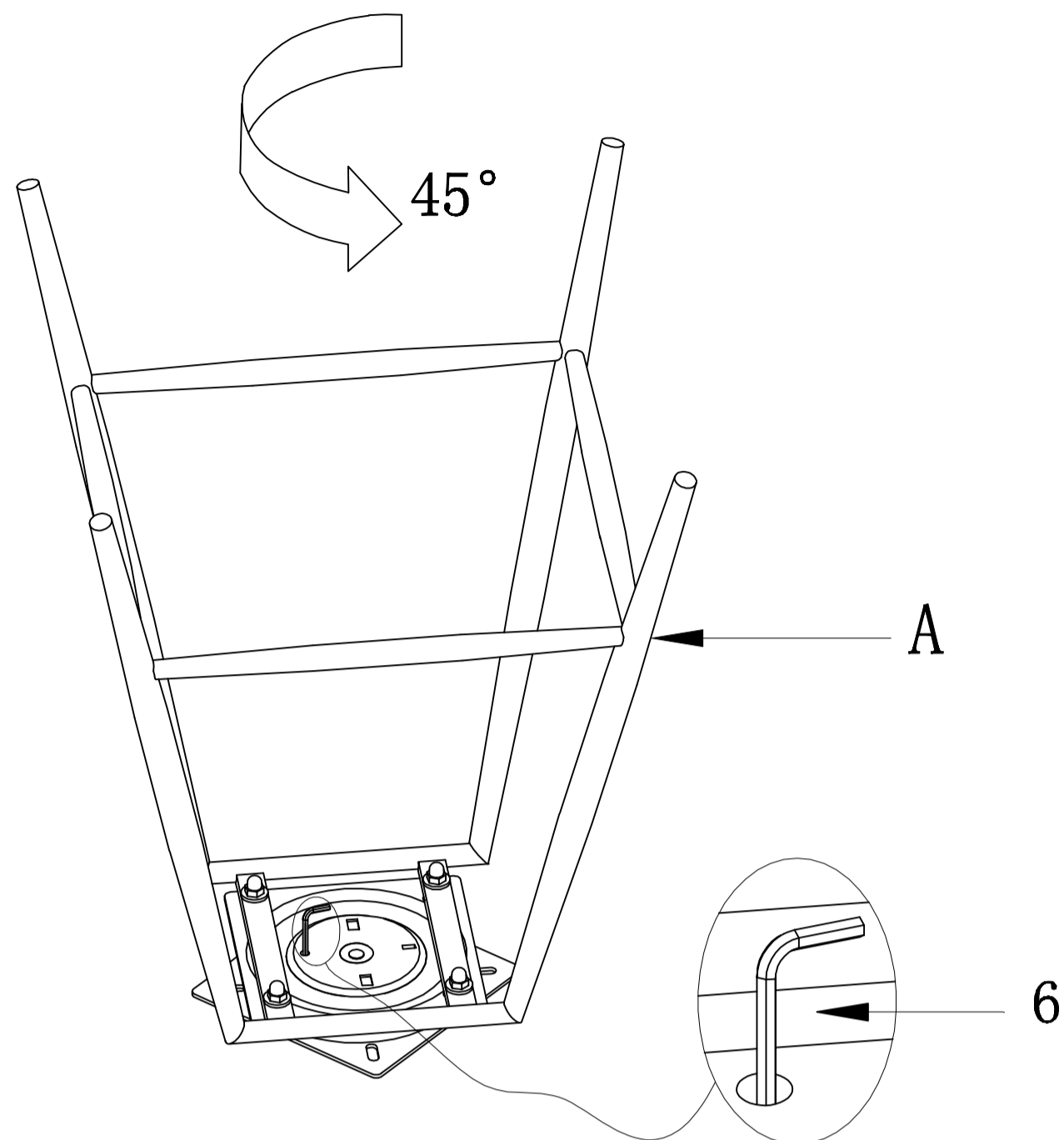
STEP 1:

Attach the Back Cushion (C) to the Seat Cushion (B) using 4 Threaded Bolts (1), Lock Washers (2) and Flat Washers (3). Tighten with the Provided Allen Key (4).



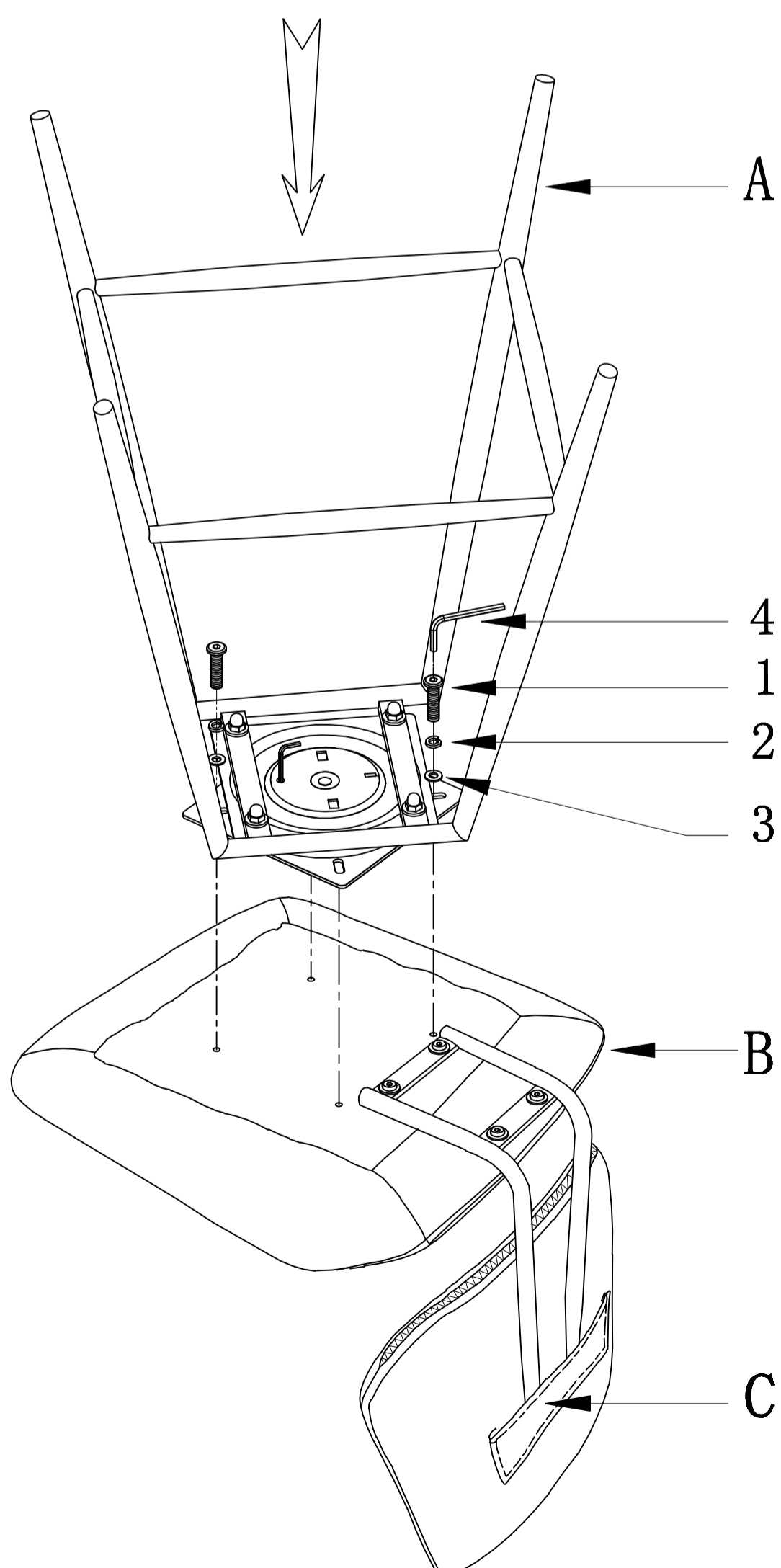
STEP 2:

Before attaching the Stool Base (A), follow the illustration below to insert the Allen Key into Stool Base hole to gain access to the mounting plate holes.



STEP 3:

Attach the Stool Base to the Seat Cushion using 2 Threaded Bolts, Lock Washers and Flat Washers. Only finger tighten the bolts until the next step.



STEP 4:

Rotate the Stool Base 45 degrees, one quarter turn, and repeat STEP 3 for the remaining two connection points. Completely tighten all four Bolts with the Allen Key.

