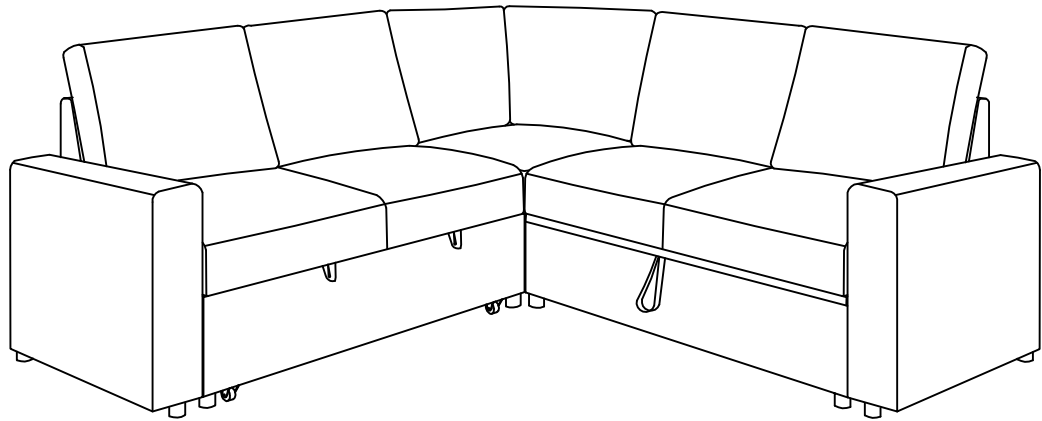

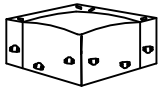

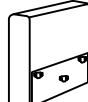
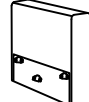

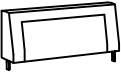
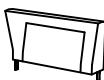

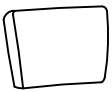



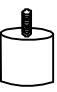


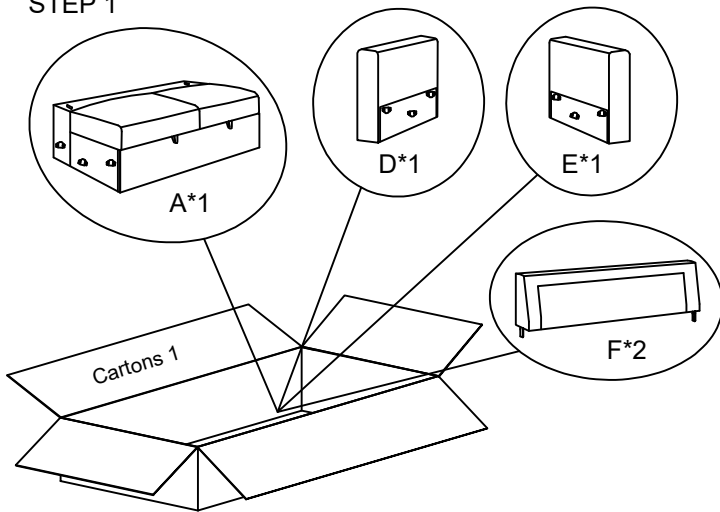
ASSEMBLY INSTRUCTION



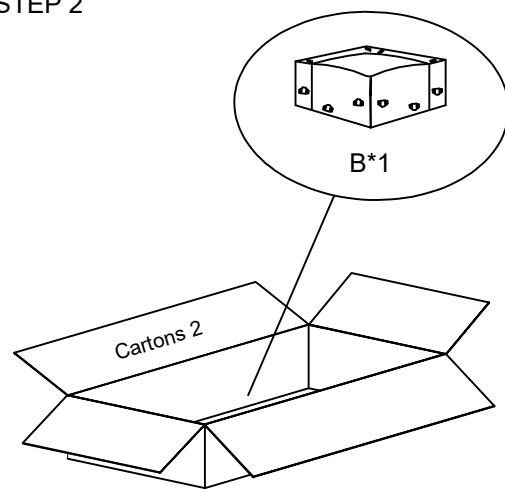
PARTS LIST

 A*1PC	 B*1PC	 C*1PC	 D*1PC	 E*1PC	 F*2PCS	 G*1PC
 H*1PC	 I*4PCS	 J*1PC	 K*1PC	 L*4PCS	 M*16PCS	 N*16PCS

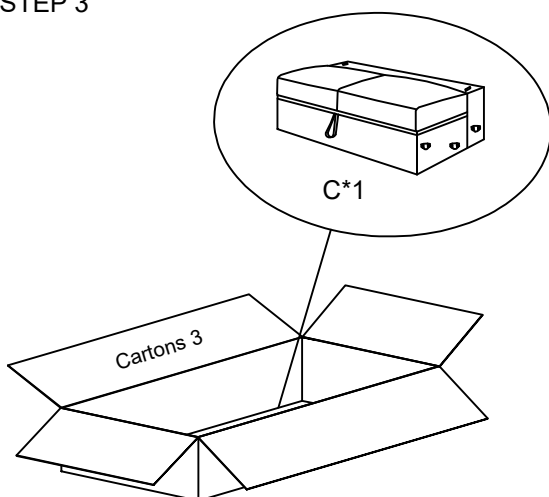
STEP 1



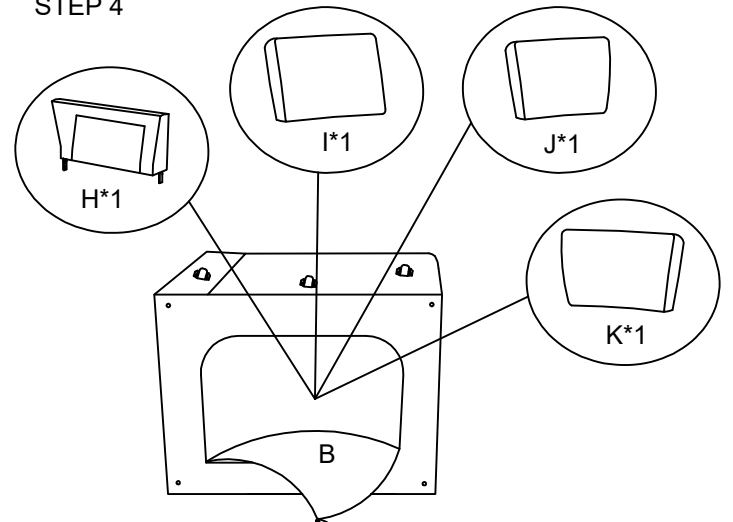
STEP 2



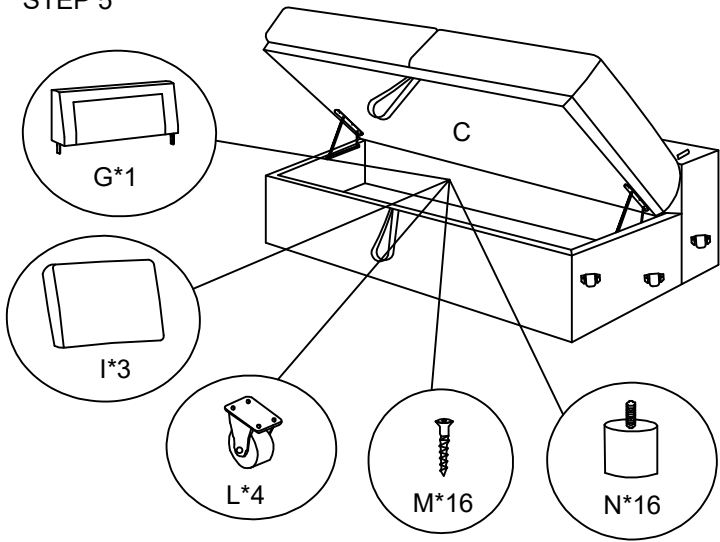
STEP 3



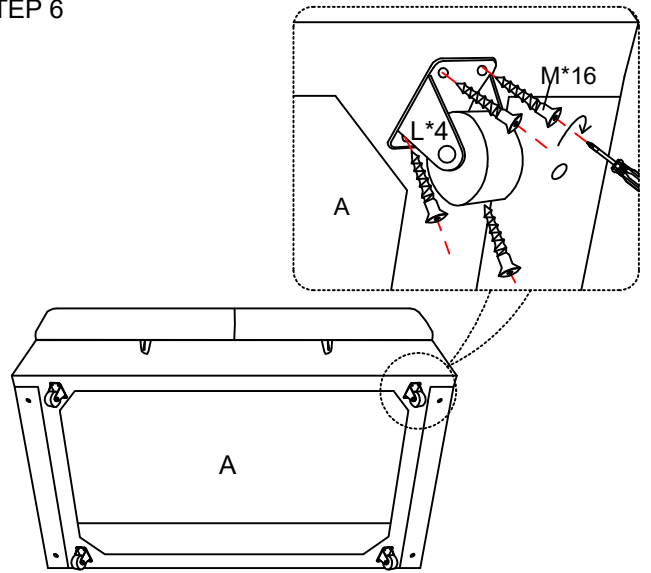
STEP 4



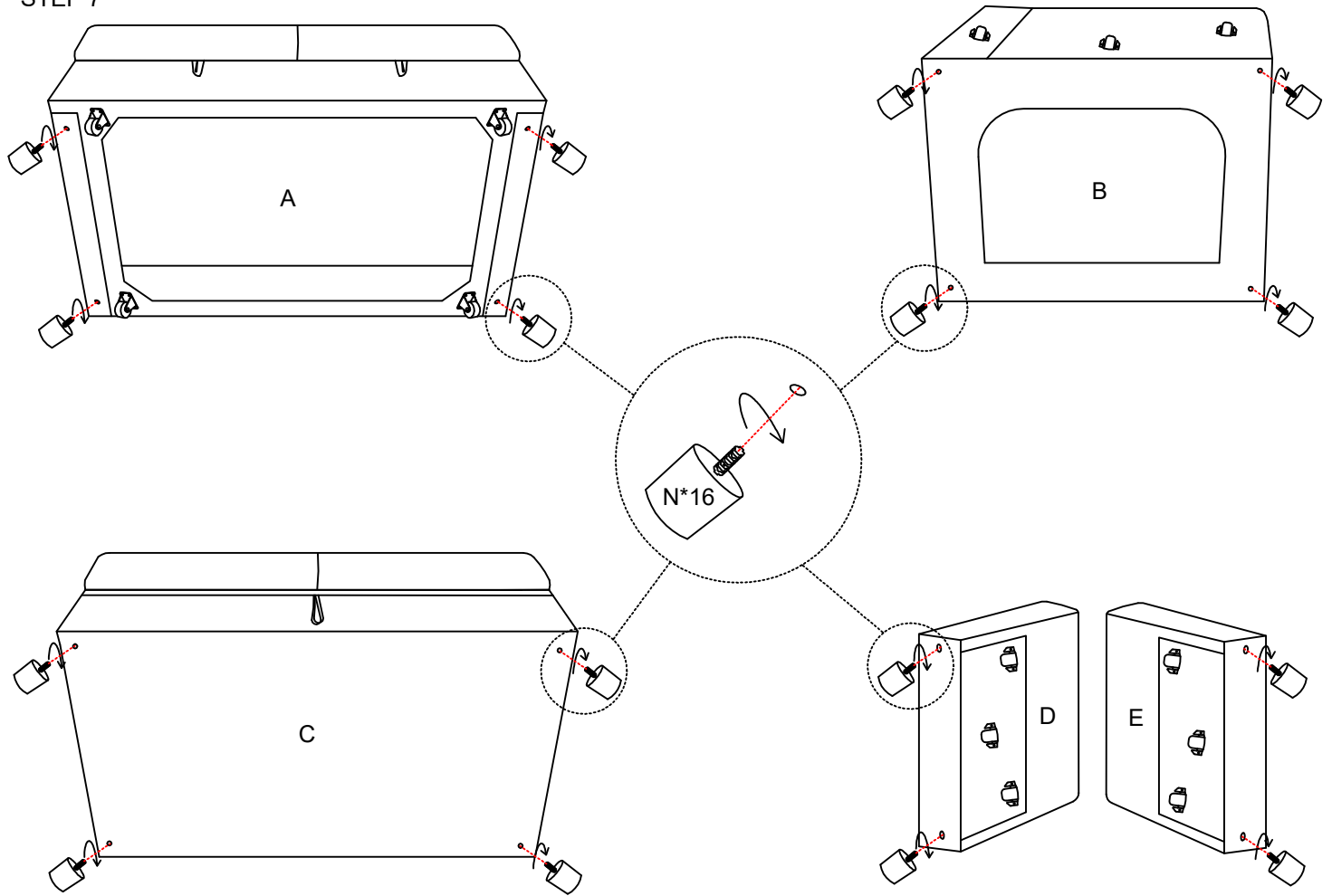
STEP 5



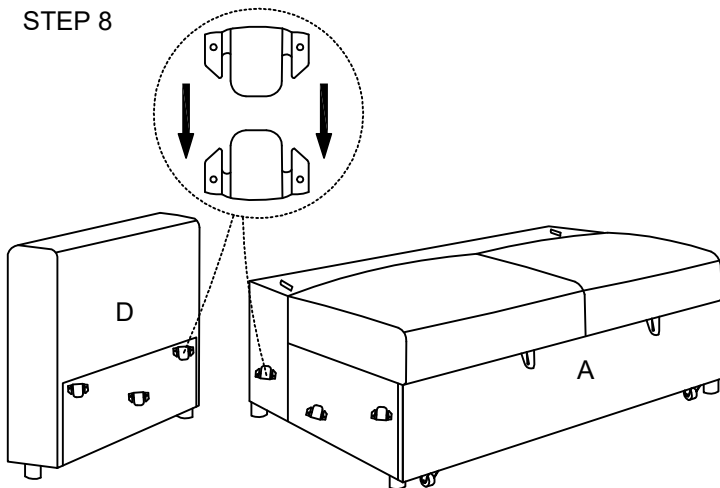
STEP 6



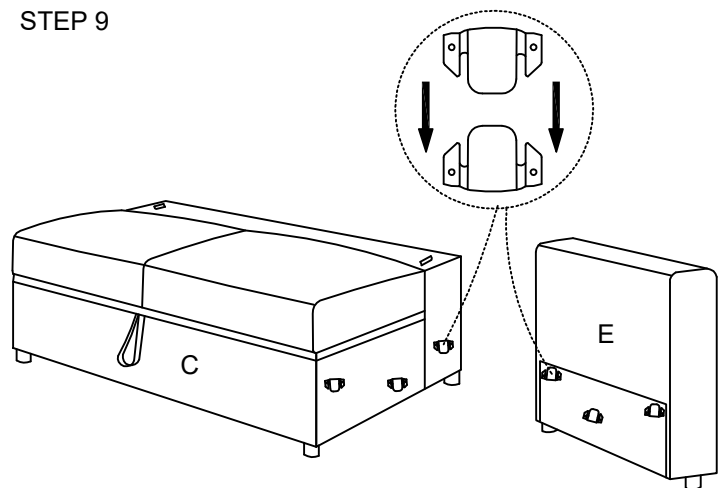
STEP 7



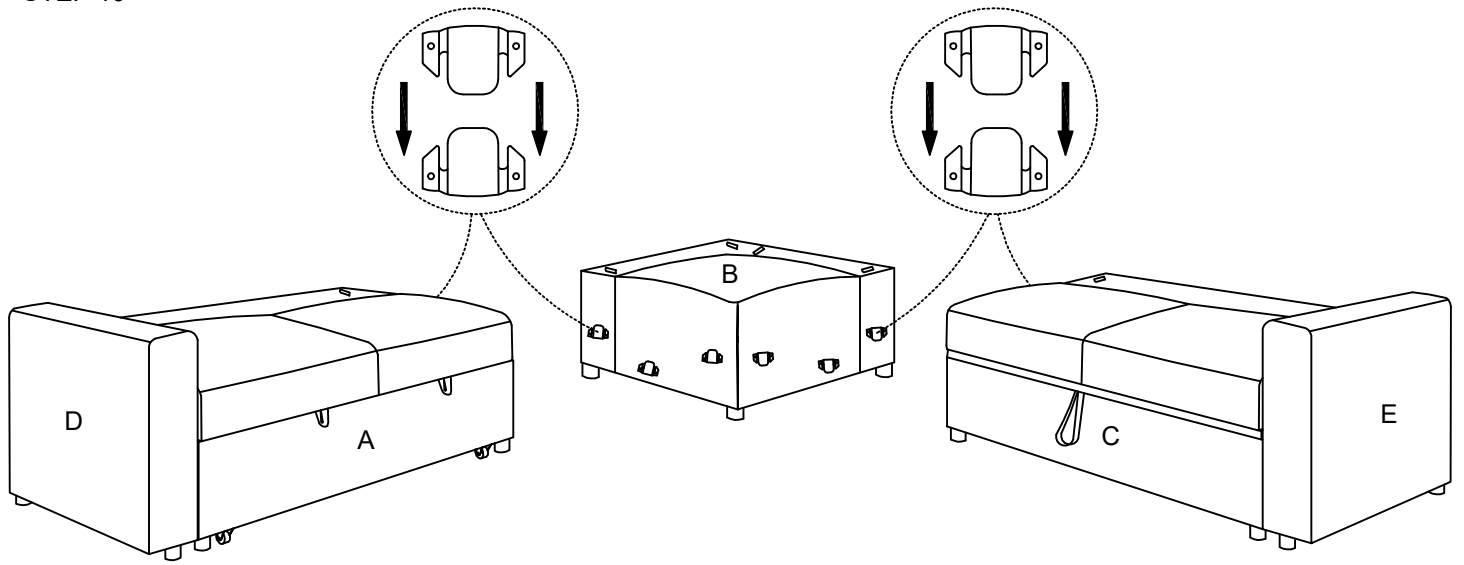
STEP 8



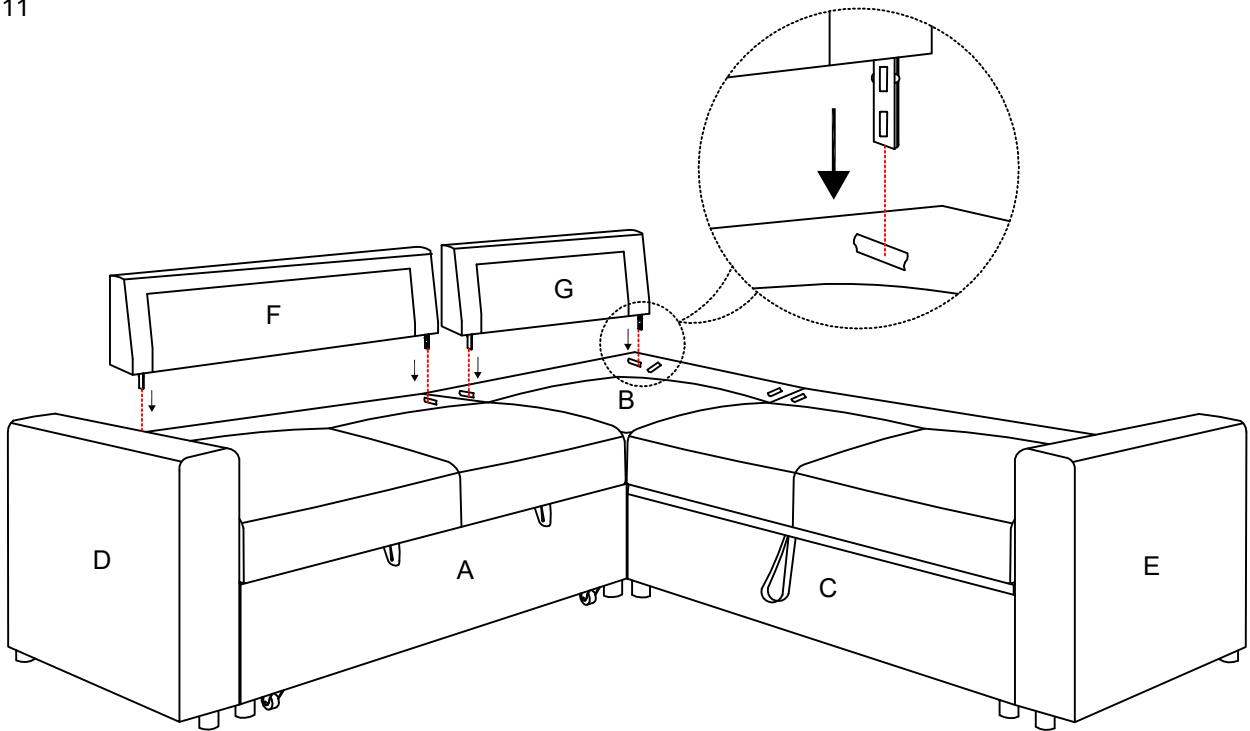
STEP 9



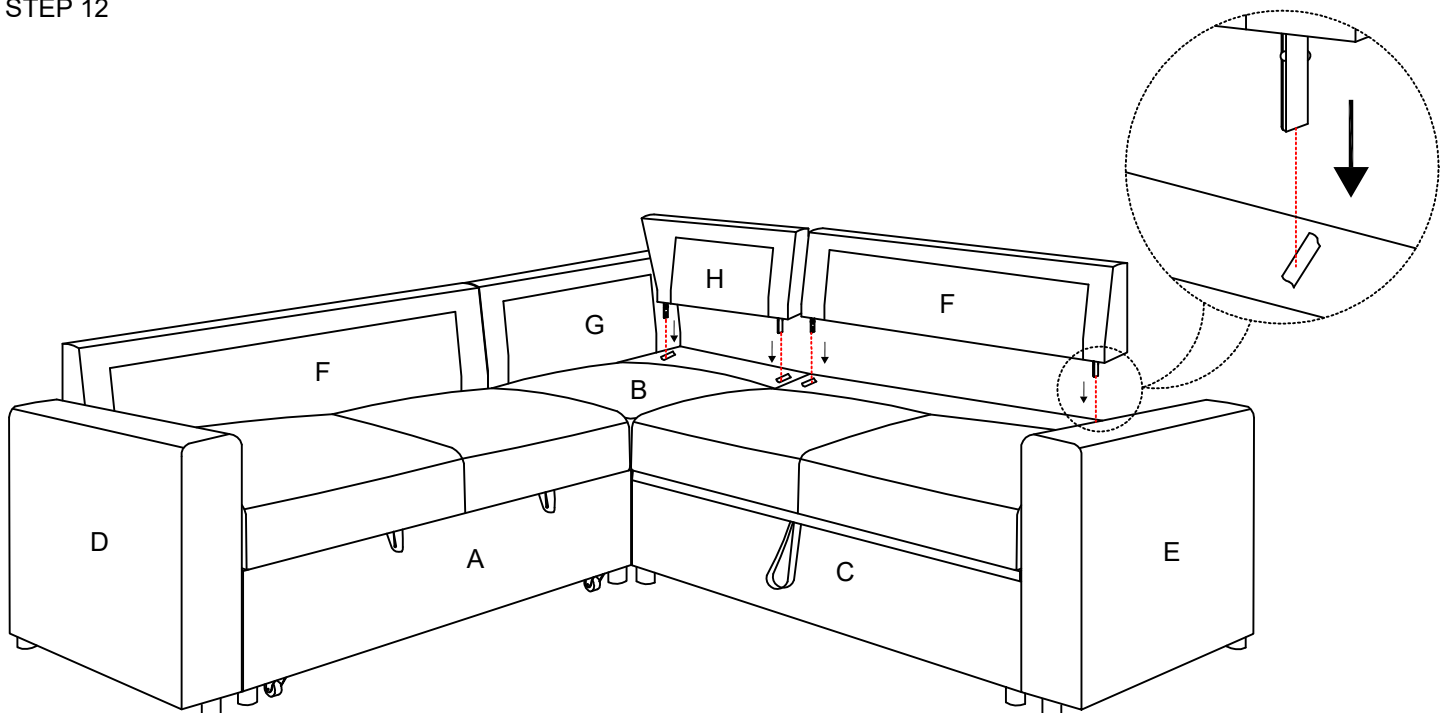
STEP 10



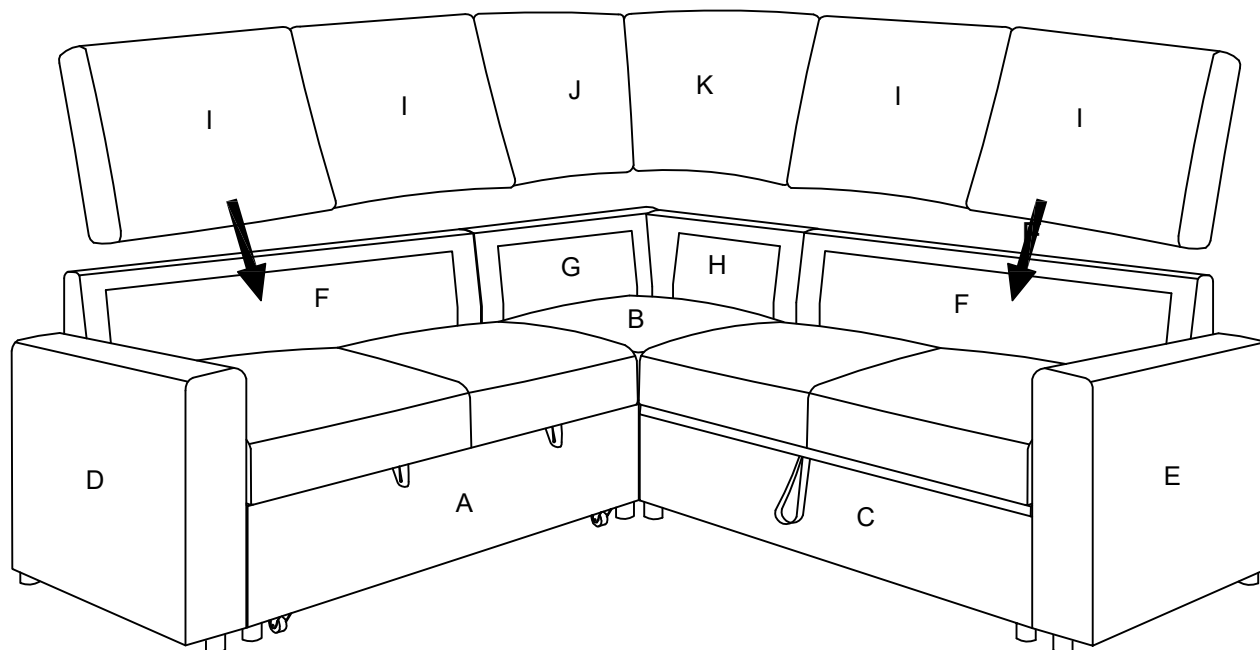
STEP 11



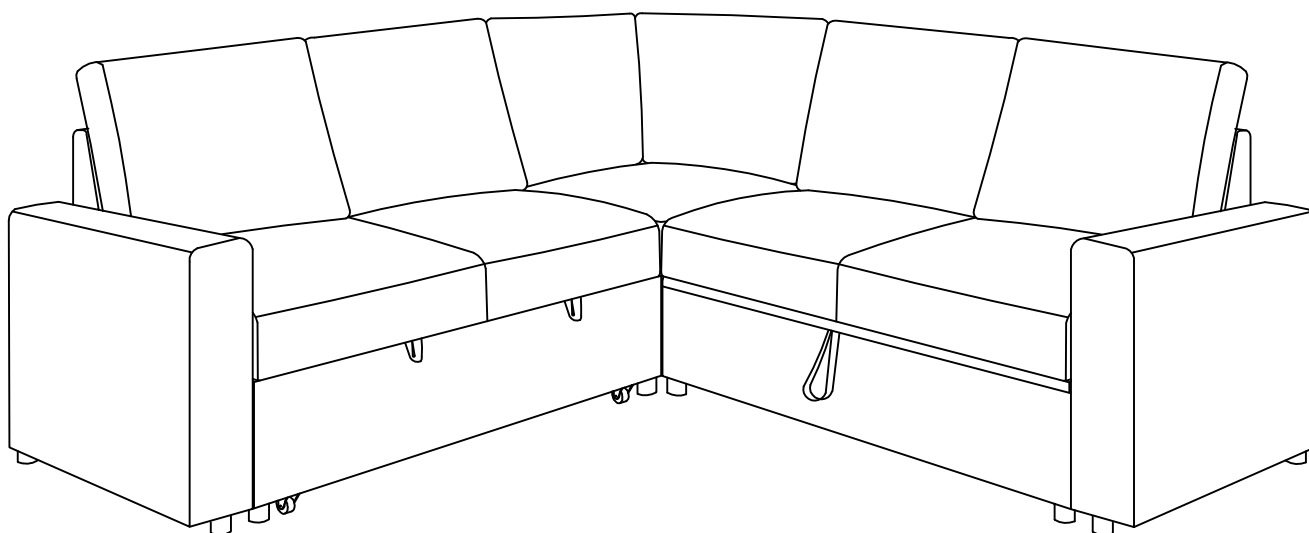
STEP 12



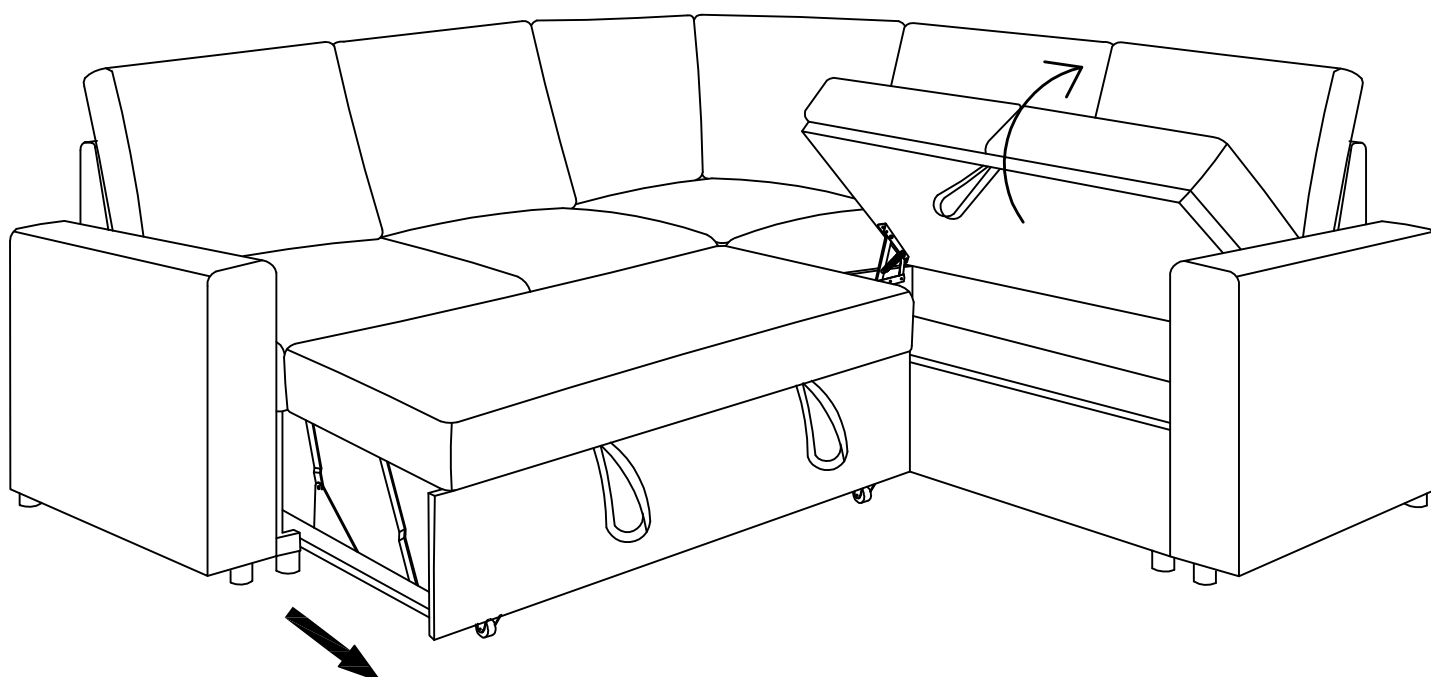
STEP 13



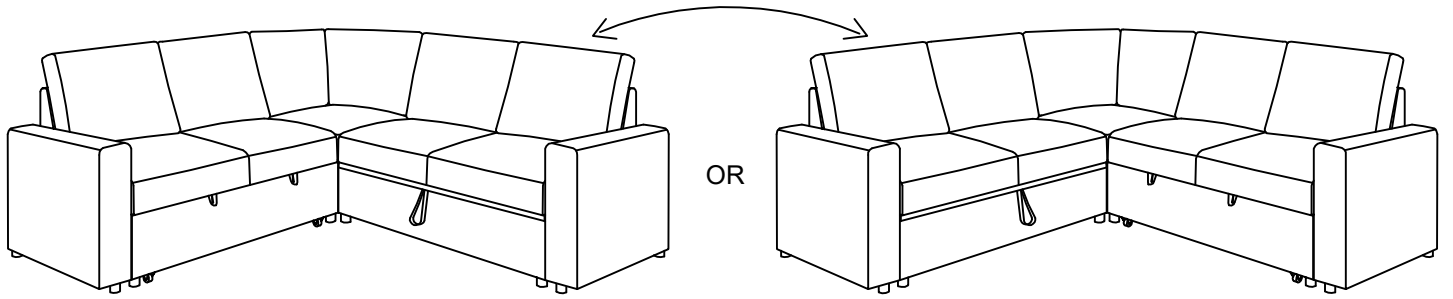
STEP 14



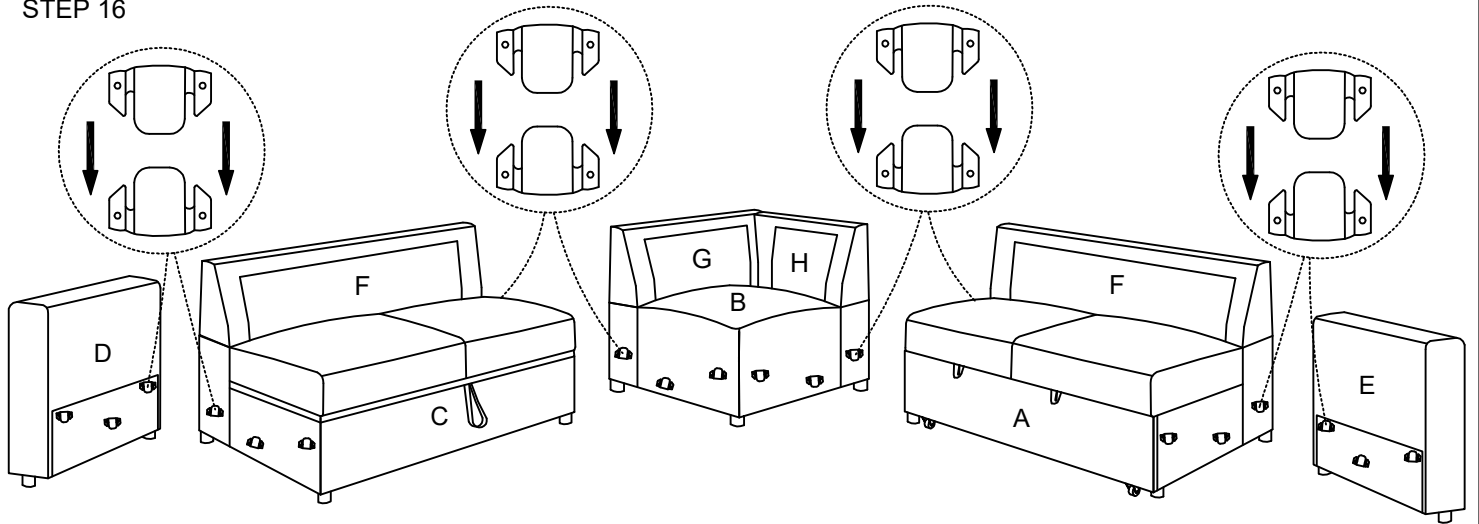
STEP 15



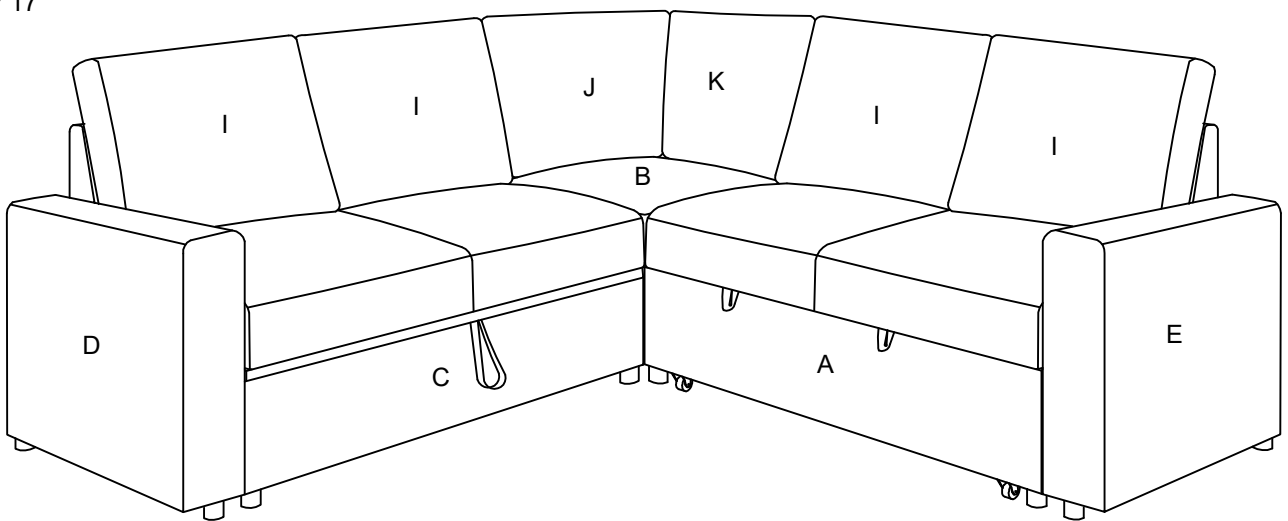
The left and right bits are interchangeable



STEP 16



STEP 17



STEP 18

