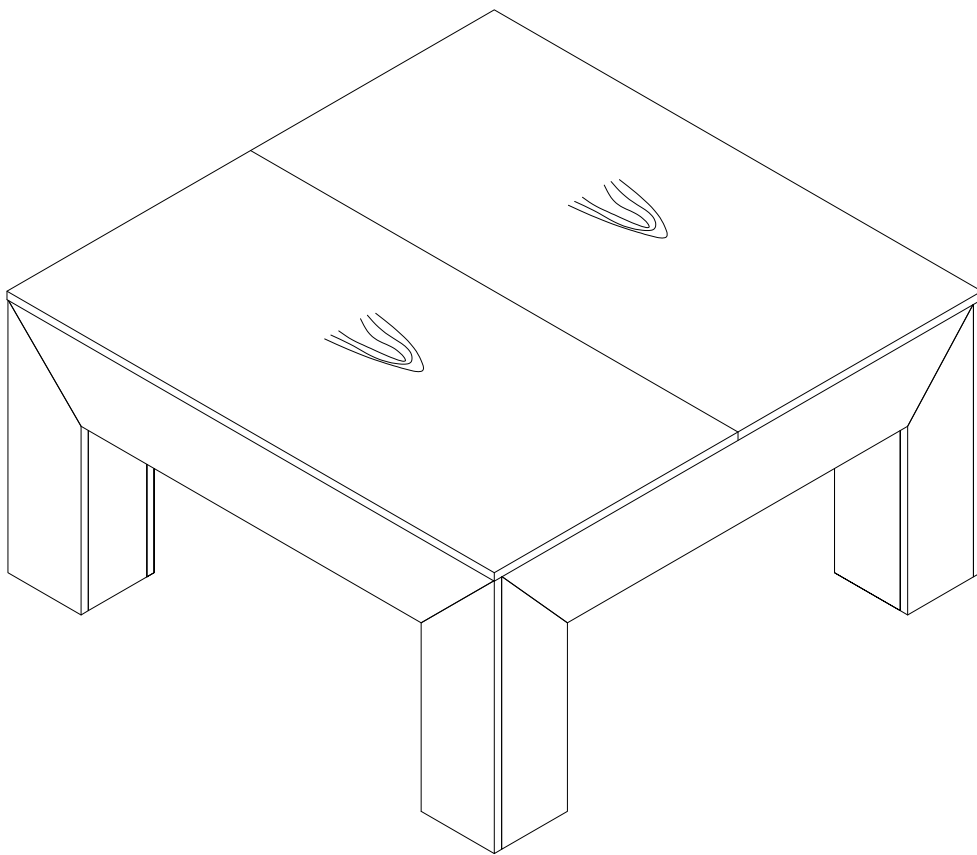


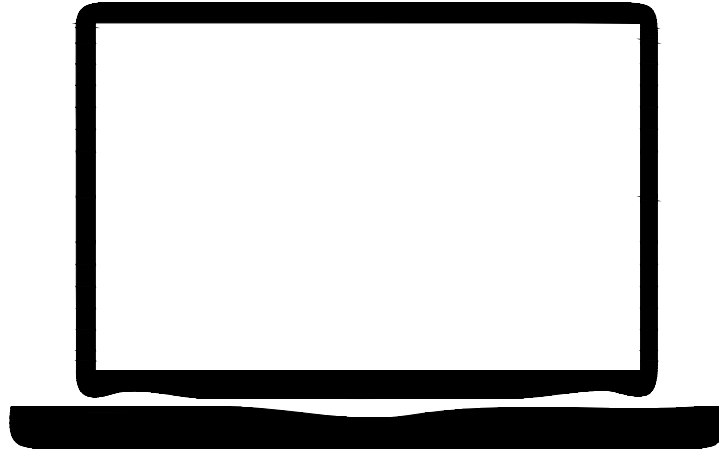
Assembly Instructions



Coffee Table

Contact Us

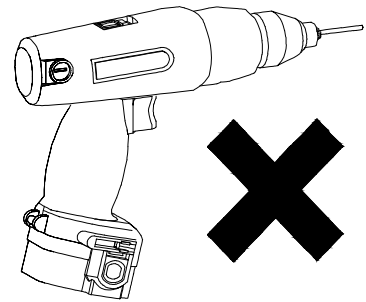
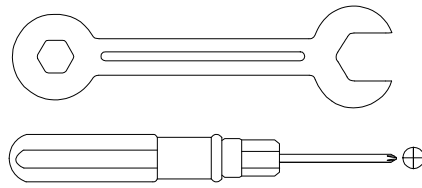
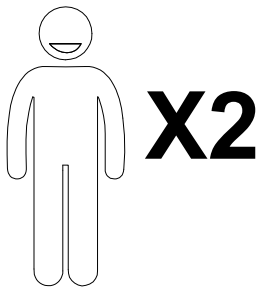
We're here to help you.



Your satisfaction is our top priority. If you encounter any issues with this product, such as missing or damaged parts, we're here to help. Please retain the original packaging and take photos of the packaging and the product, then contact us as soon as possible.

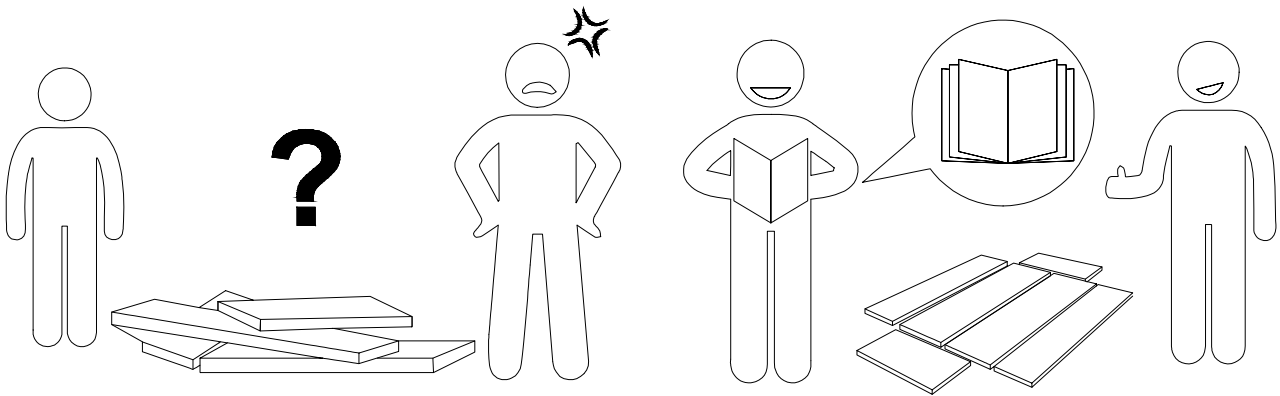
Warm Tips

1. Carefully read these instructions and keep them for future reference.
2. Check the parts list and confirm everything's there before starting assembly.
3. When assembling, put all parts on a soft, smooth surface like a carpet to avoid scratches.
4. Don't fully tighten screws until all parts are confirmed in place to avoid misalignment.



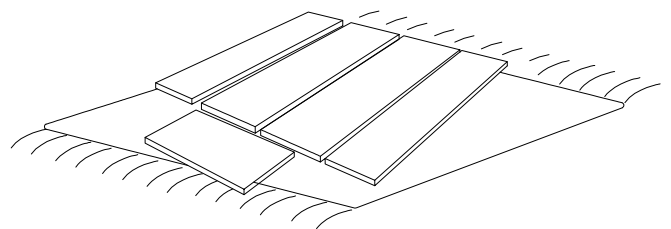
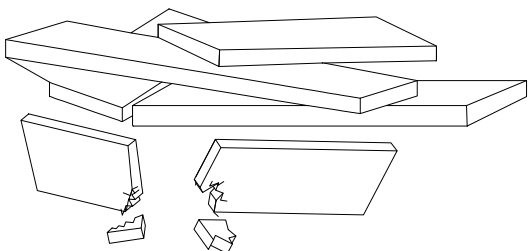
We recommend using hand tools for assembly.

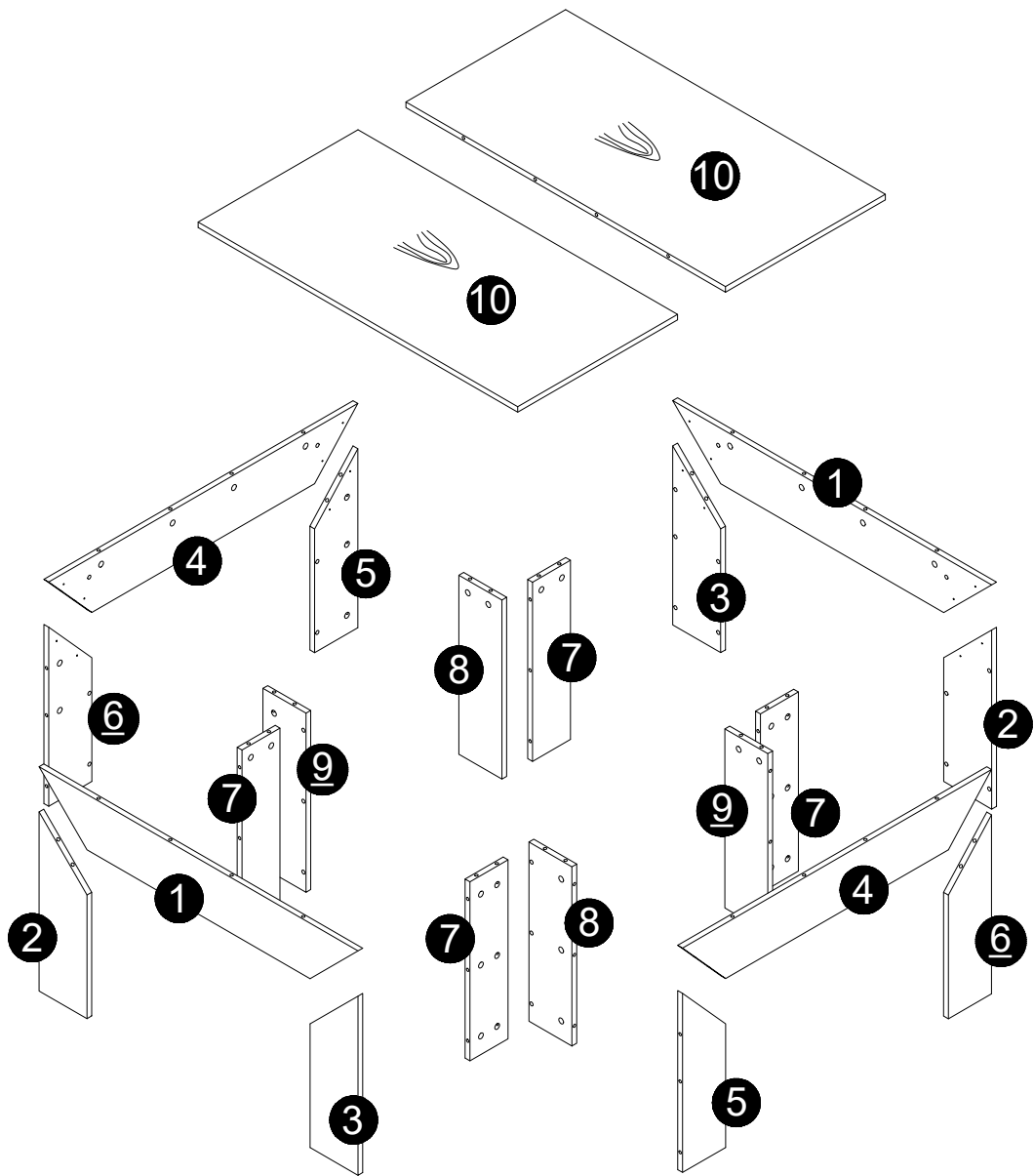
If an electric screwdriver is used, reduce power and torque to avoid damage to the product.



AVOID SCRATCHES

In order to avoid scratching, this furniture should be assembled on a soft surface, such as a rug.

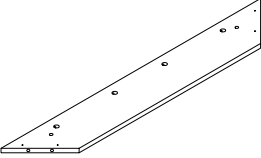
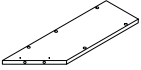

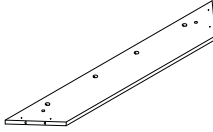
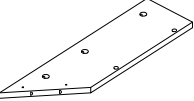
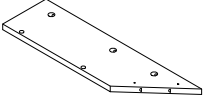
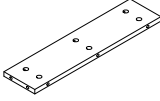
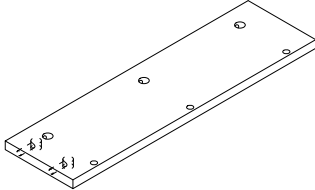
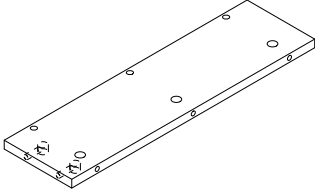
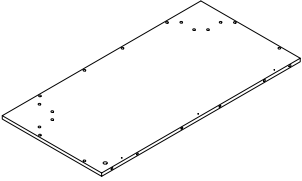




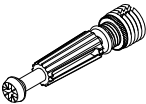
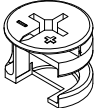
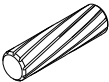
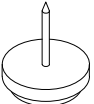
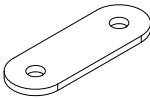


⚠ Caution

Make sure all parts are included. Most board parts are labeled or stamped on the raw edge. Contact us for a free replacement if you encounter any damaged or missing parts.

Parts List

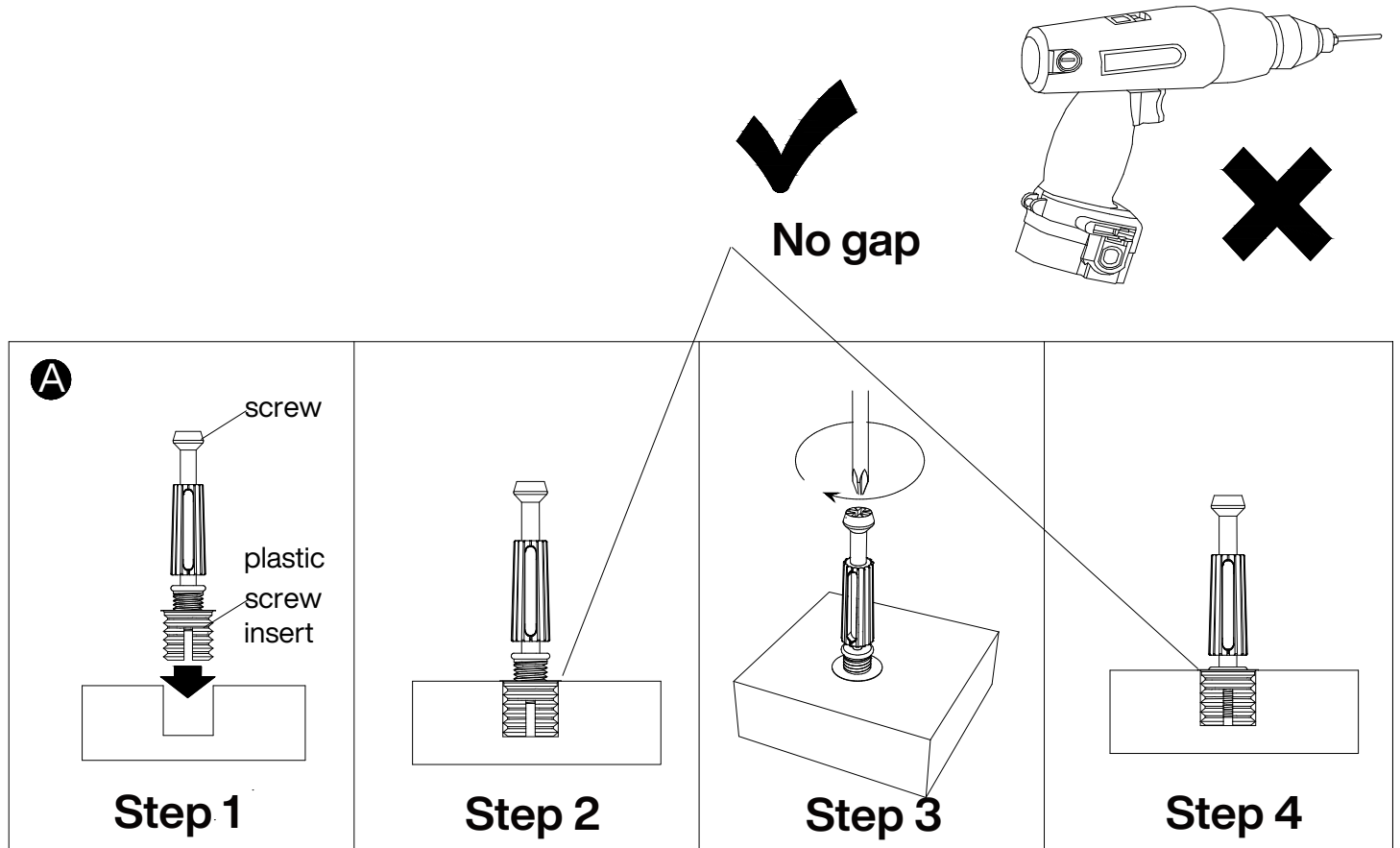
<p>1</p>  <p>2 pcs</p>	<p>2</p>  <p>2 pcs</p>	<p>3</p>  <p>2 pcs</p>	<p>4</p>  <p>2 pcs</p>
<p>5</p>  <p>2 pcs</p>	<p>6</p>  <p>2 pcs</p>	<p>7</p>  <p>4 pcs</p>	<p>8</p>  <p>2 pcs</p>
<p>9</p>  <p>2 pcs</p>	<p>10</p>  <p>2 pcs</p>		

Hardware List

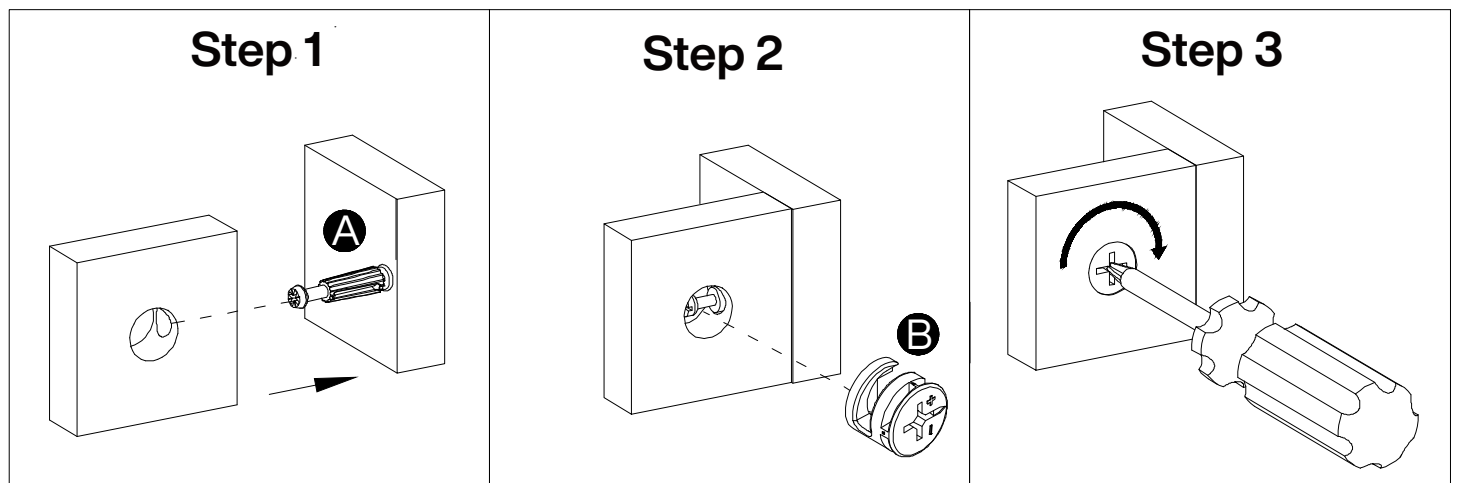
A	B	C	D	E	F	G
 <p>M6x40mm</p>	 <p>Ø15x12mm</p>	 <p>Ø8x30mm</p>	 <p>Ø14x4mm</p>	 <p>47x16x2mm</p>	 <p>Ø3.5x14mm</p>	 <p>1 pc</p>
82 pcs	82 pcs	20 pcs	16 pcs	19 pcs	38 pcs	1 pc

Installation of Cams and Pins

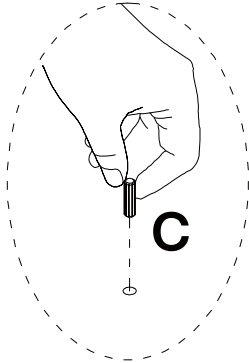
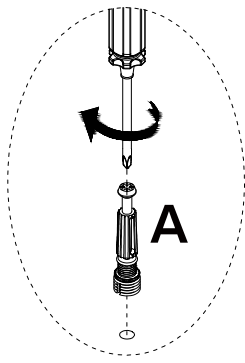
Step 1-2: Align the plastic part with the mounting hole and press it in. If you can't press it in, loosen the screw counter clockwise or completely remove the screw from the plastic part and try again.
Step 3-4: After pressing the plastic part into place, use a screwdriver to tighten the screw clockwise.


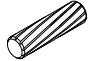


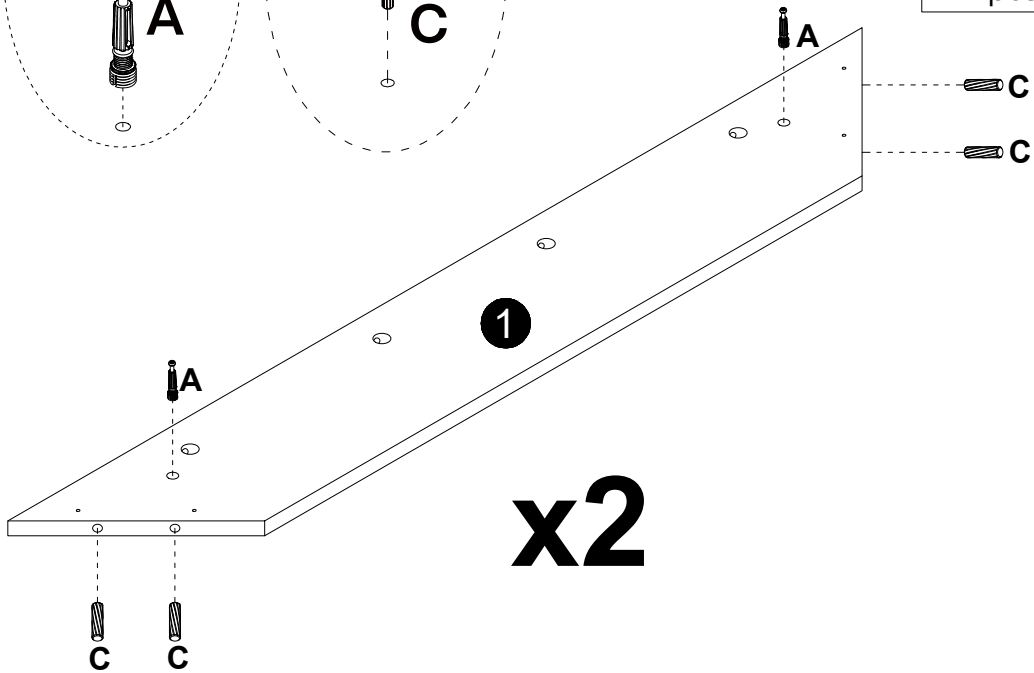
Screw the pin into the hole. Set the cams correctly by aligning the head of the cams with the lock pins. Lock the cam by turning the cam head with a screwdriver until it is tightened. Please do not use an electric screwdriver to assemble the unit.





1

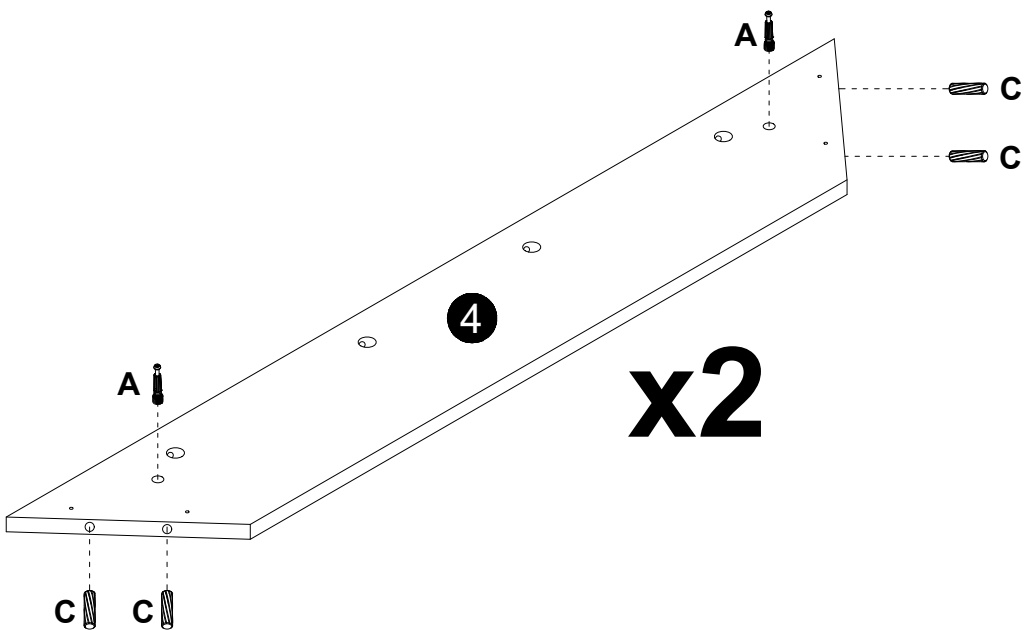


A	C
 M6x40mm	 Ø8x30mm
4 pcs	8 pcs




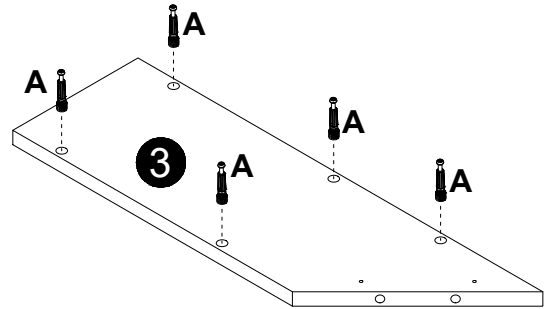
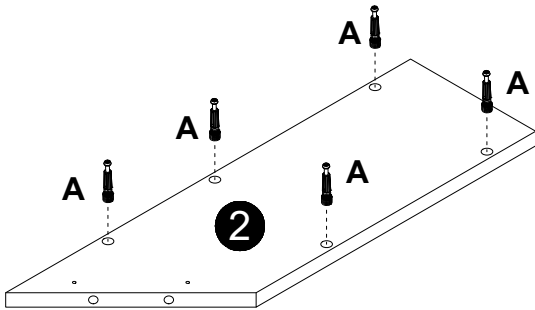
2

A	C
 M6x40mm	 Ø8x30mm
4 pcs	8 pcs



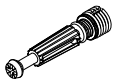
3

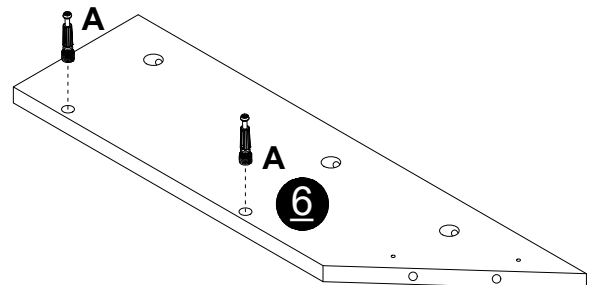
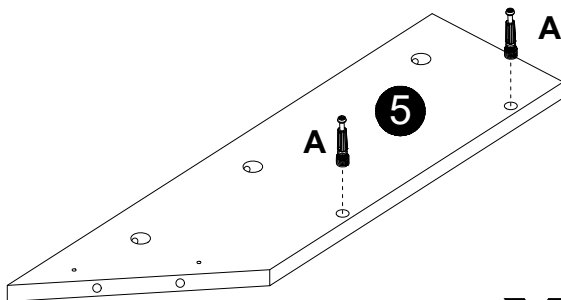
A

M6x40mm
20 pcs



x2

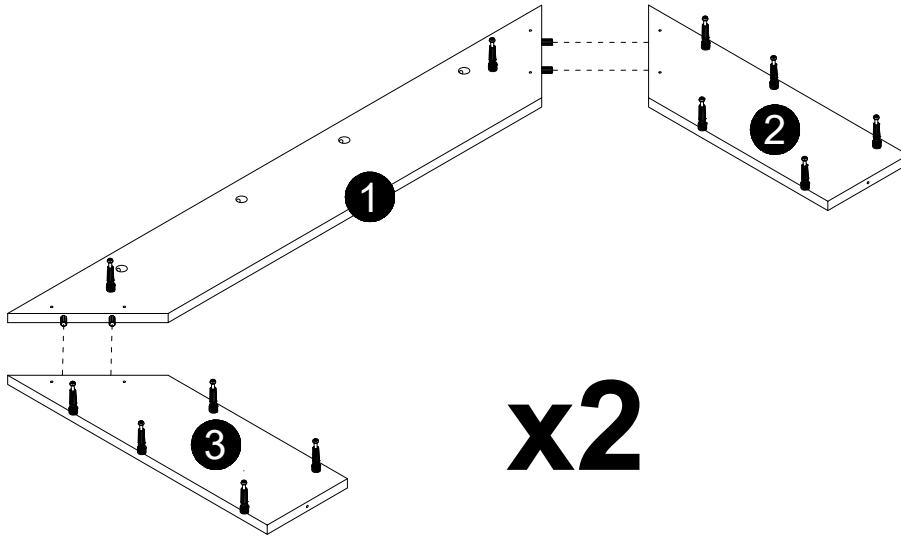
4

A

M6x40mm
8 pcs

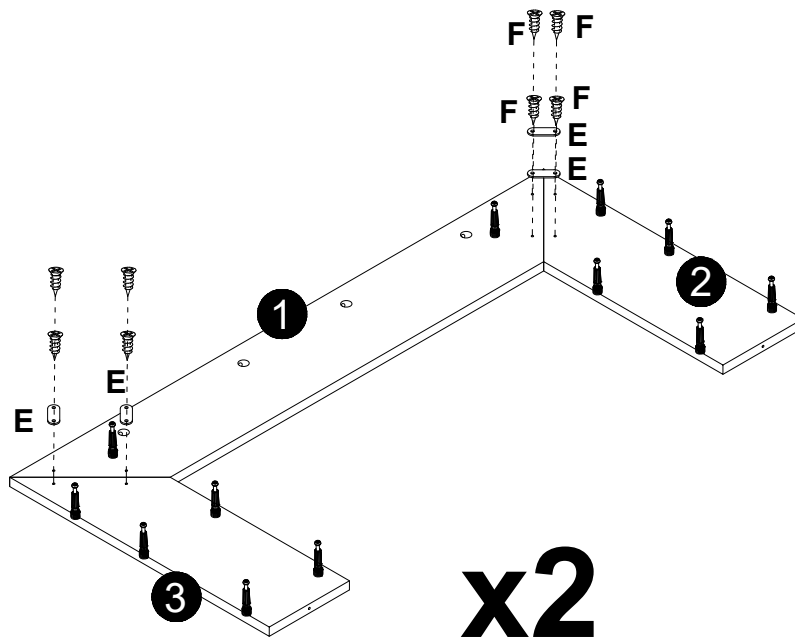


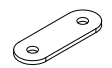
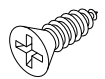
x2

5

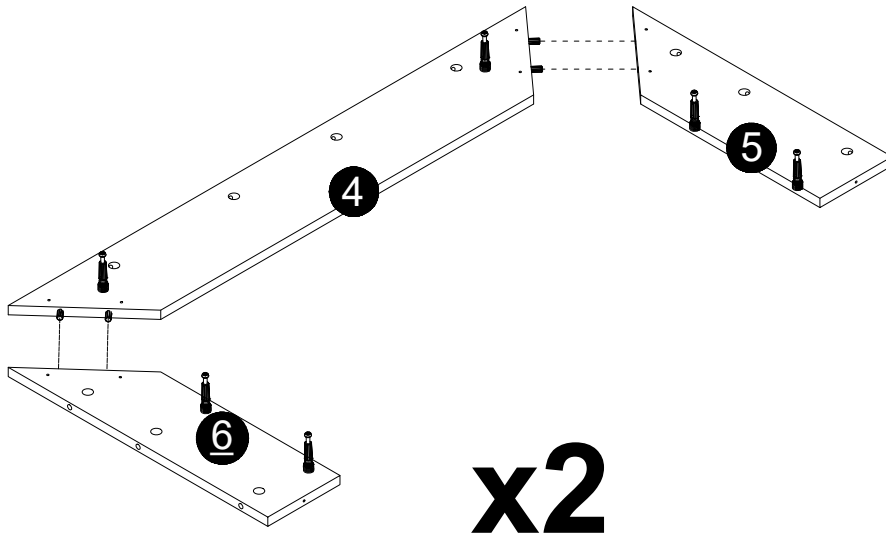


6

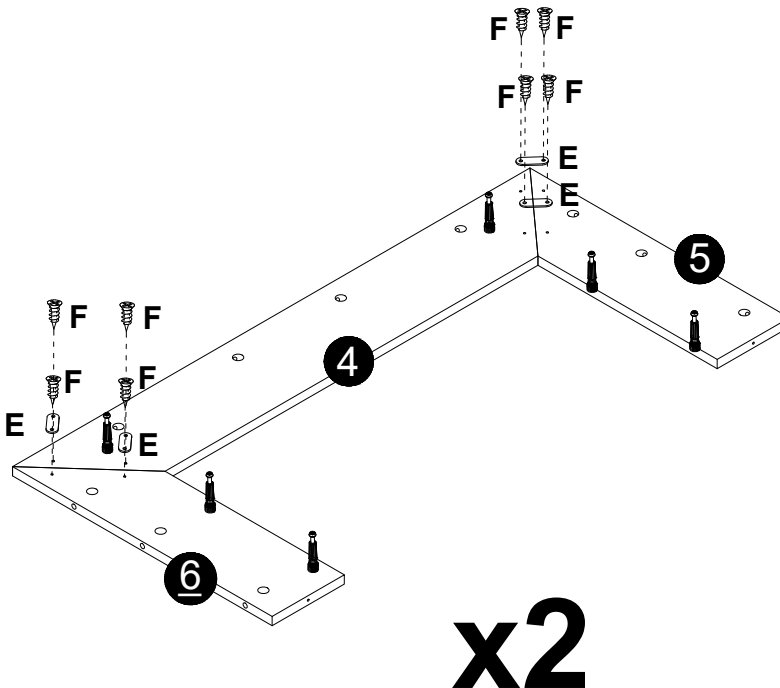


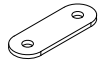
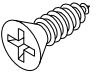
E	F
	
47x16x2mm	Ø3.5x14mm
8 pcs	16 pcs

7

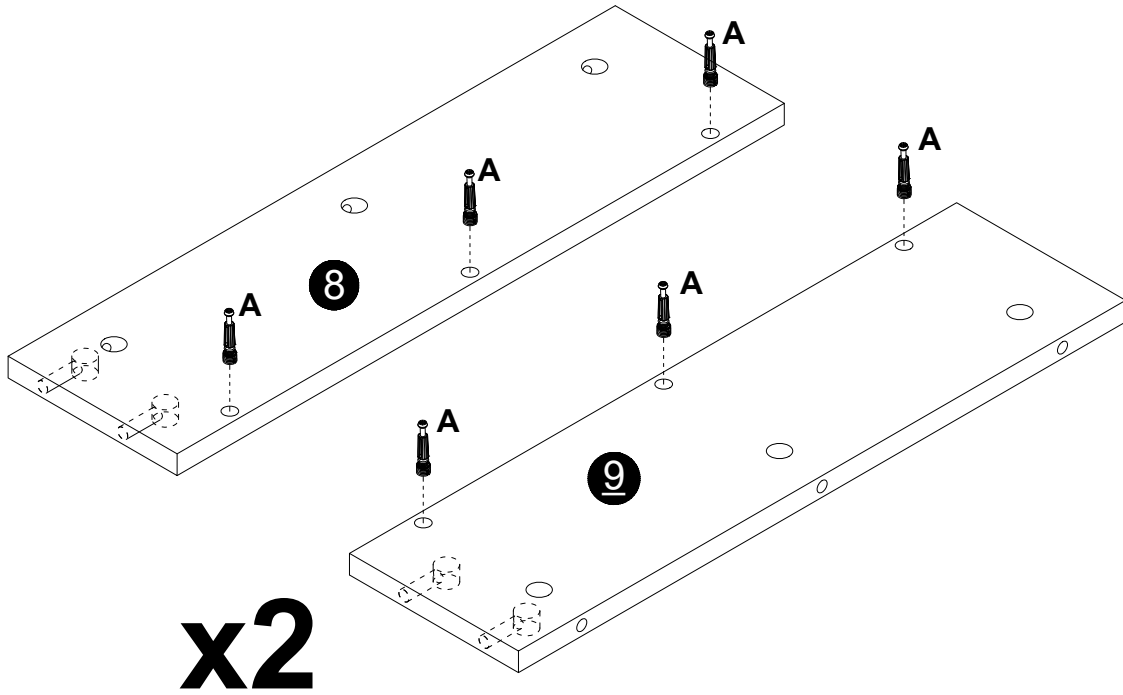



8



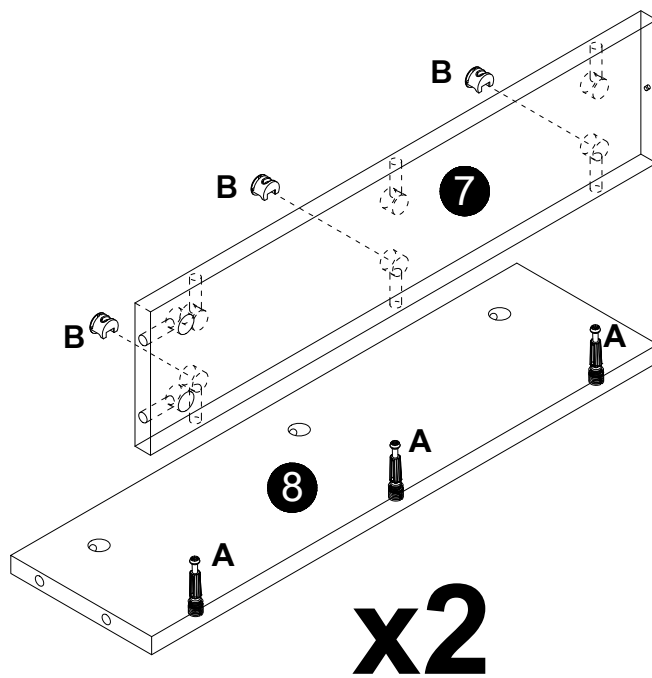
E	F
	
47x16x2mm	Ø3.5x14mm
8 pcs	16 pcs


9



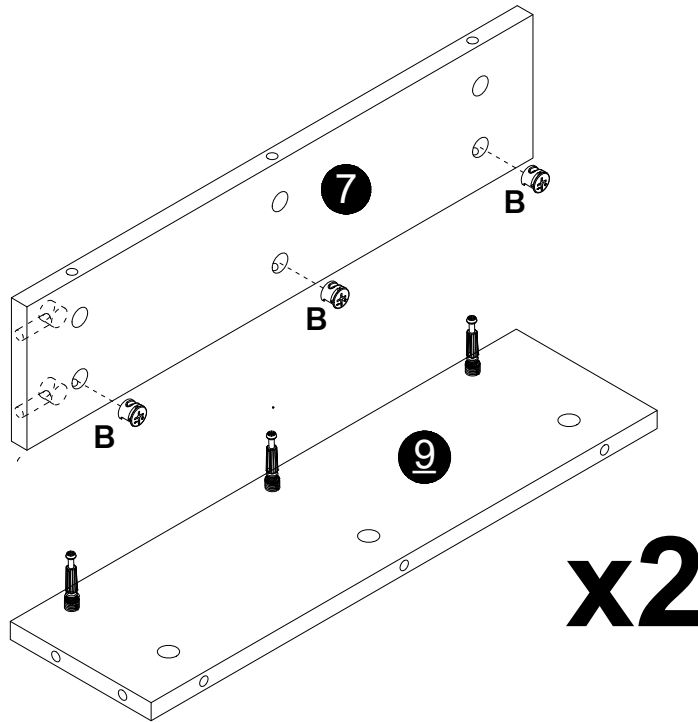
A

M6x40mm
12 pcs


10



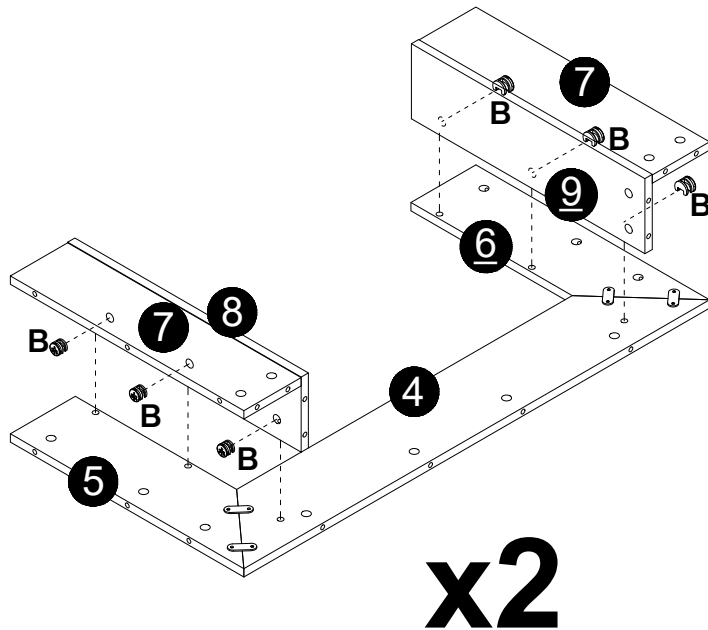
B

Ø15x12mm
6 pcs


11



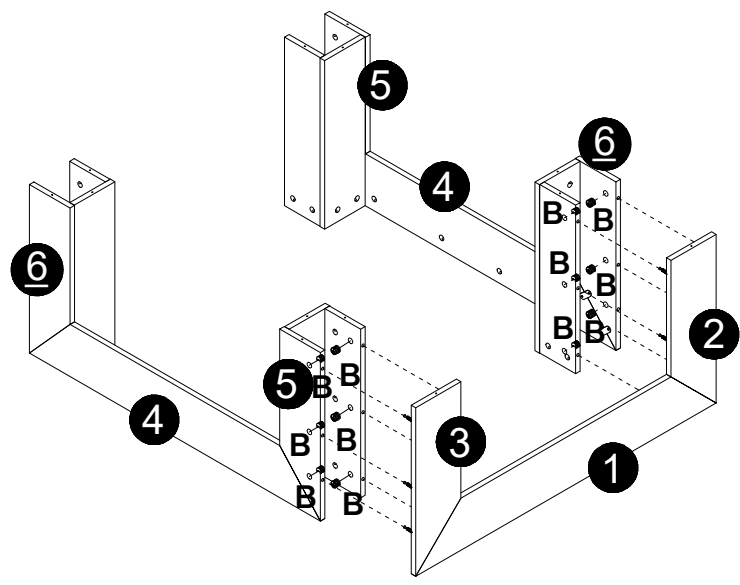
B

Ø15x12mm
6 pcs


12



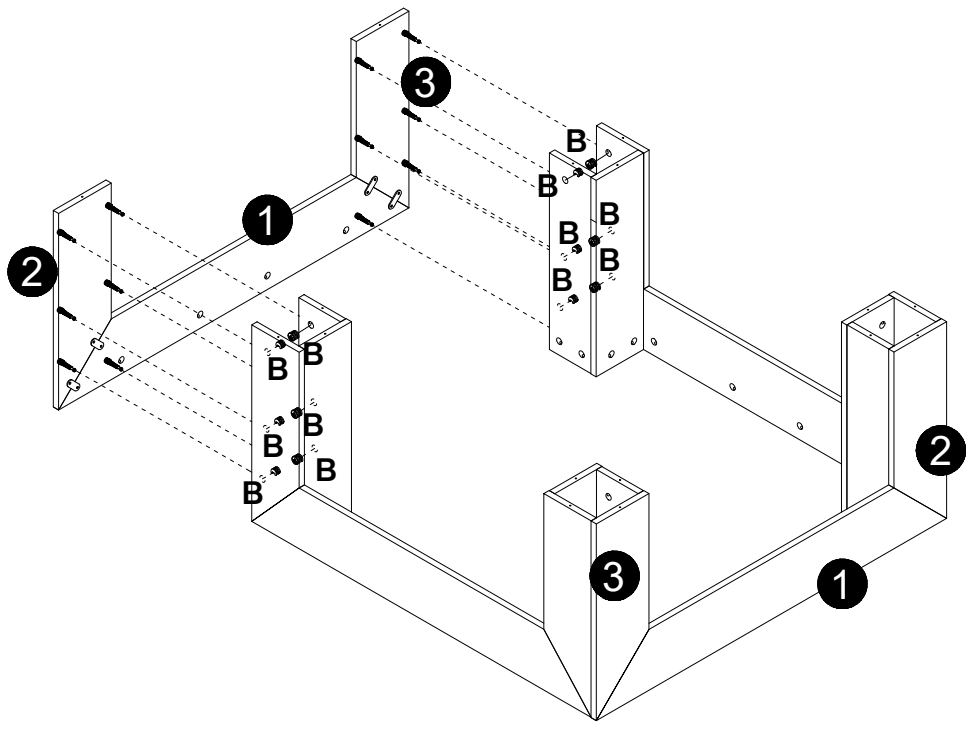
B

Ø15x12mm
12 pcs

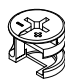
13



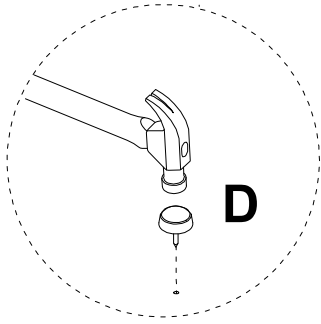
B

Ø15x12mm
12 pcs


14



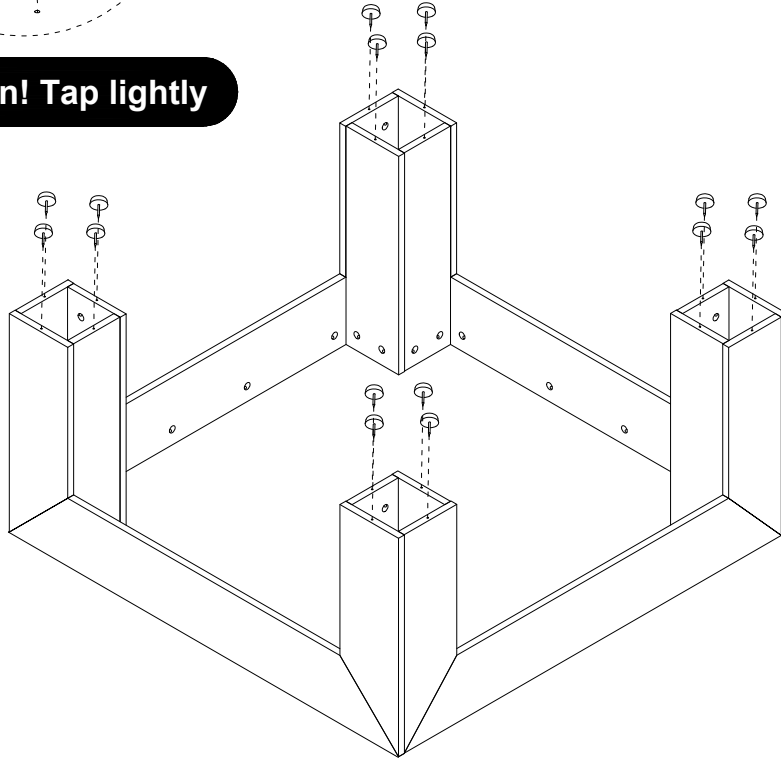
B

Ø15x12mm
12 pcs

15


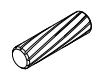


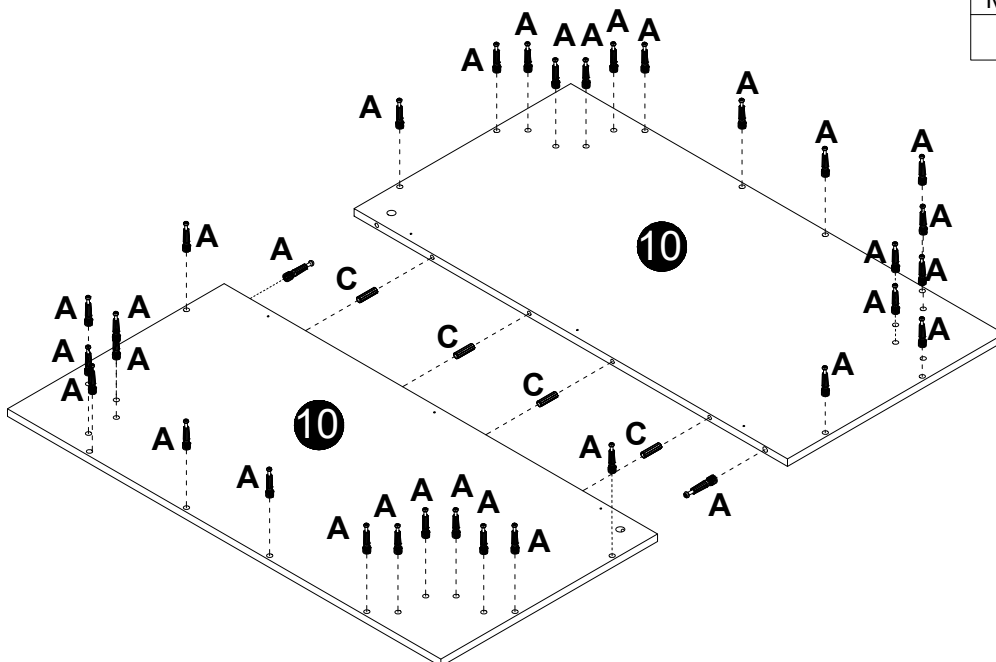
D
 Ø14x4mm
16 pcs

⚠ Caution! Tap lightly

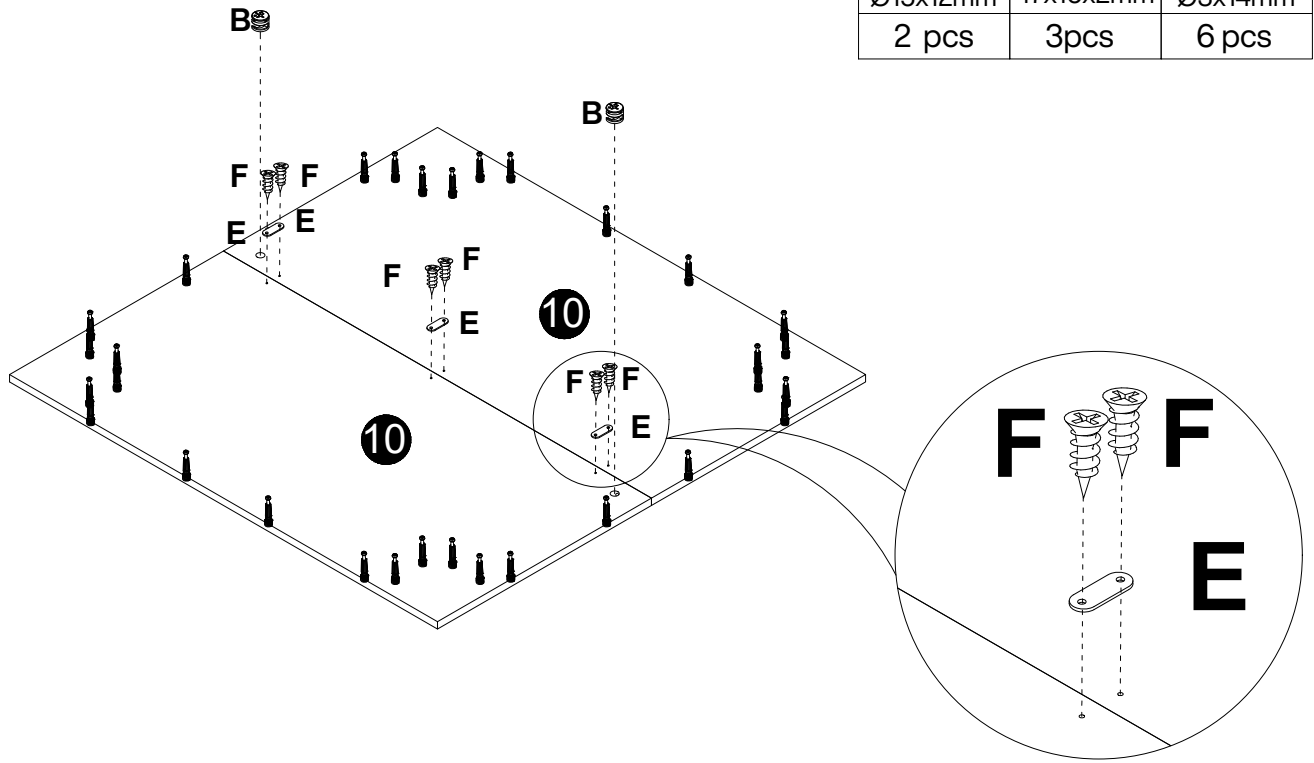



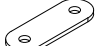
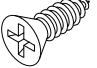
16

A	C
 M6x40mm	 Ø8x30mm
34 pcs	4 pcs

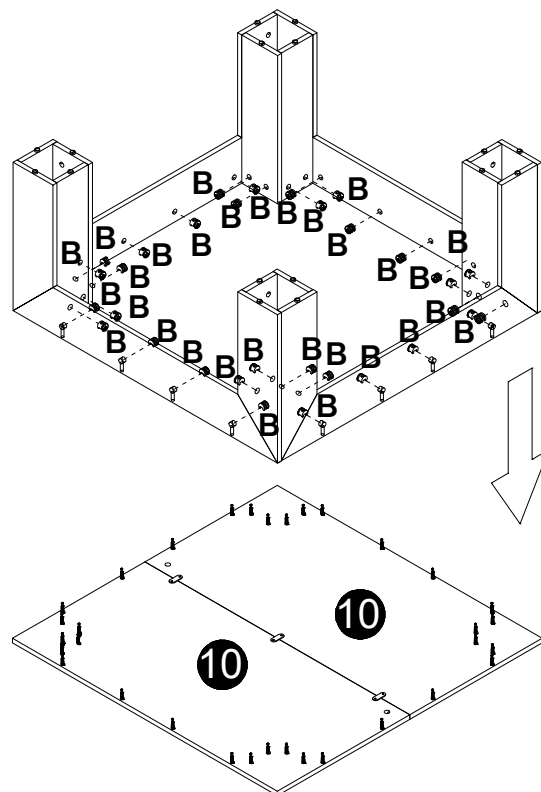



17



B	E	F
		
Ø15x12mm	47x16x2mm	Ø3x14mm
2 pcs	3 pcs	6 pcs

18



B

Ø15x12mm
32 pcs

Thank you for your support!

