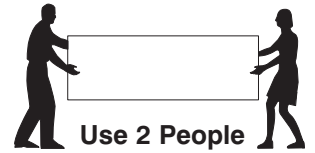
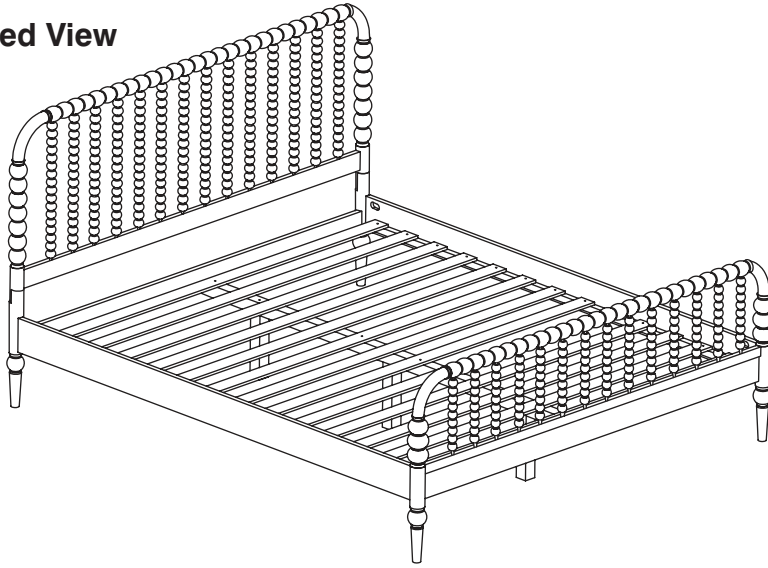


0110-4 Queen Bed

Assembly Instructions

WI-0524

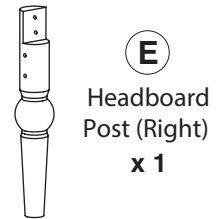
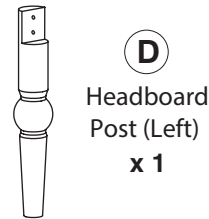
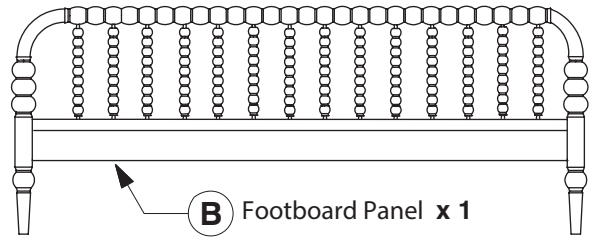
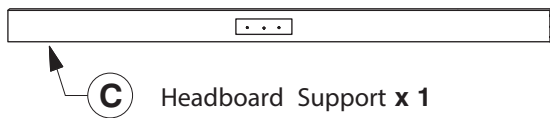
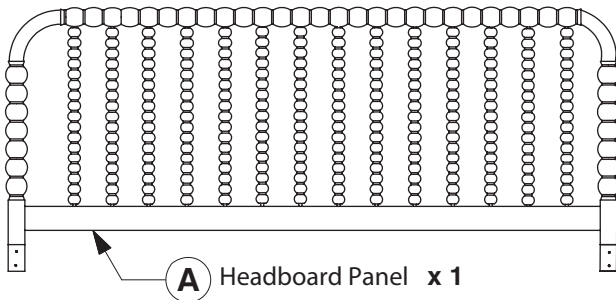
1 Assembled View



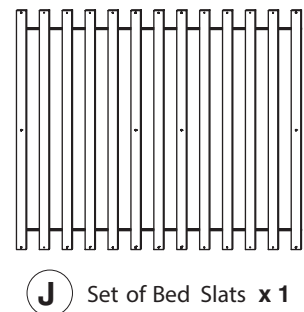
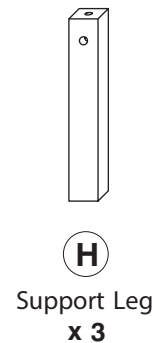
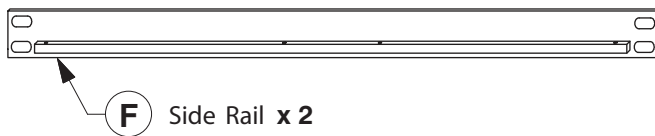
Note: Do not assemble using power tools. This can cause the bolts to be overtightened

2

Parts in Box A:



Parts in Box B:

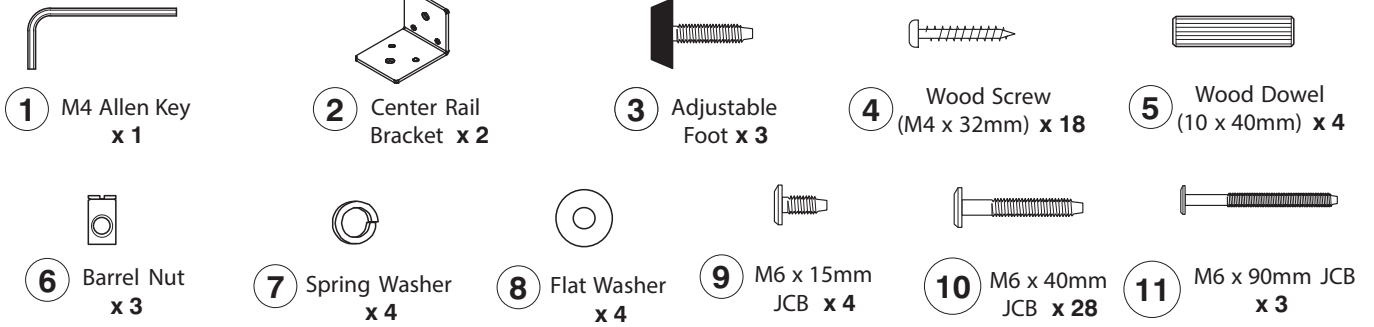


0110-4 Queen Bed

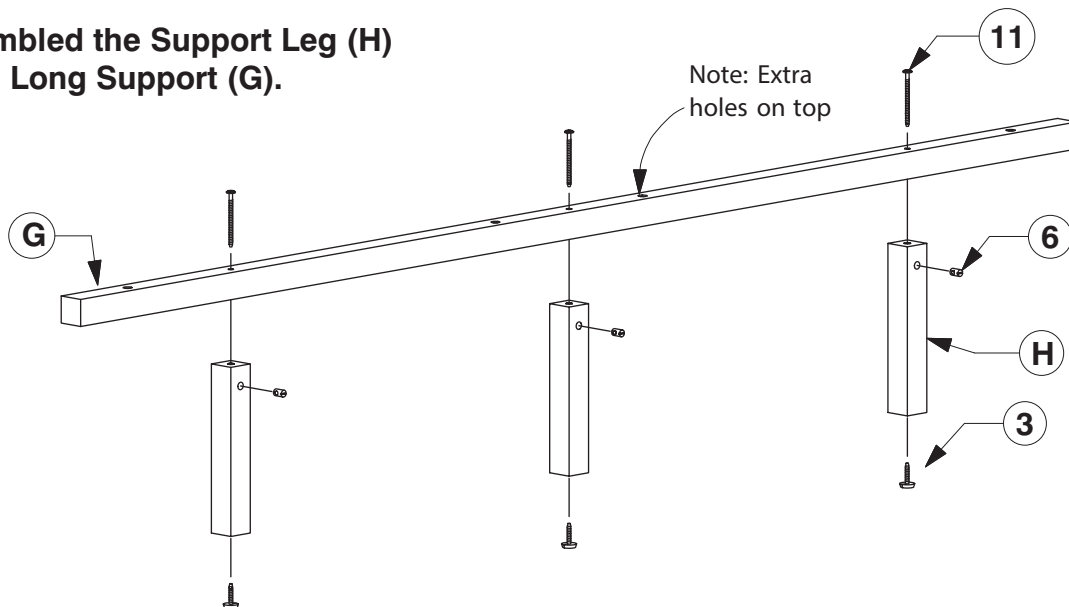
Assembly Instructions

WI-0524

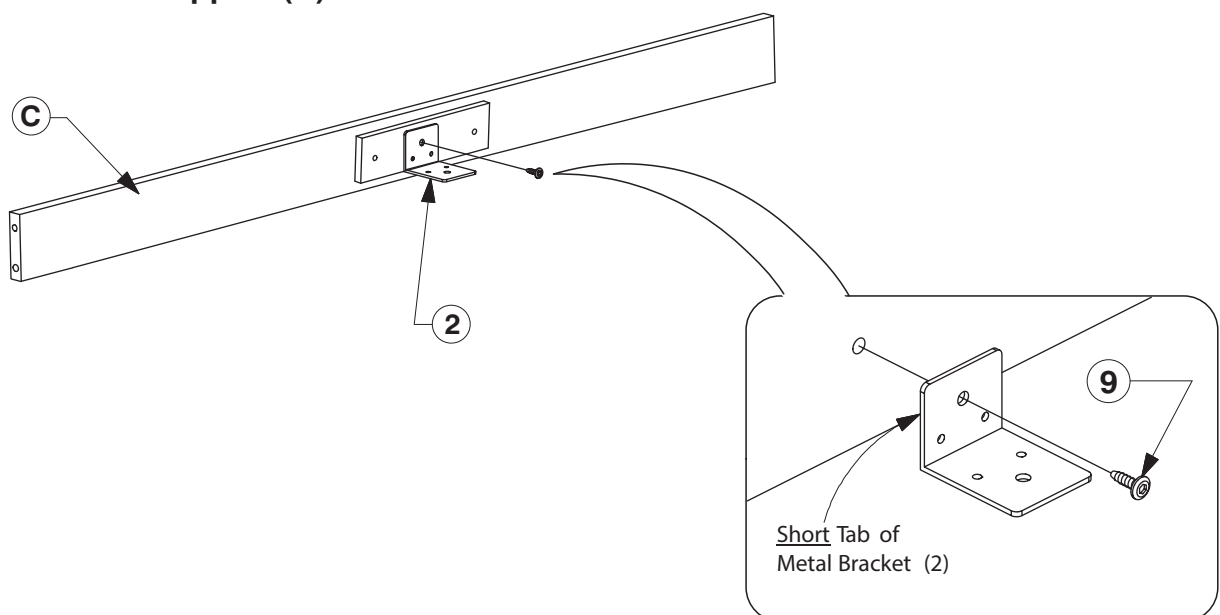
3 Hardware List



4 Assembled the Support Leg (H) to the Long Support (G).



5 Fit the Center Rail Bracket (2) to the Headboard Support (C).

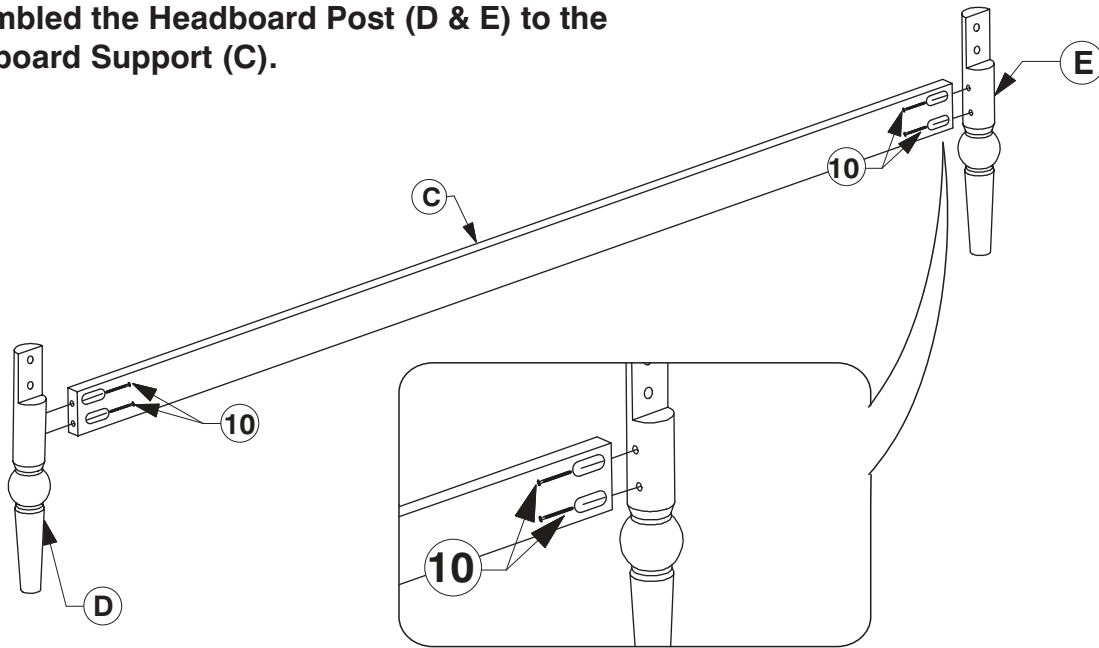


0110-4 Queen Bed

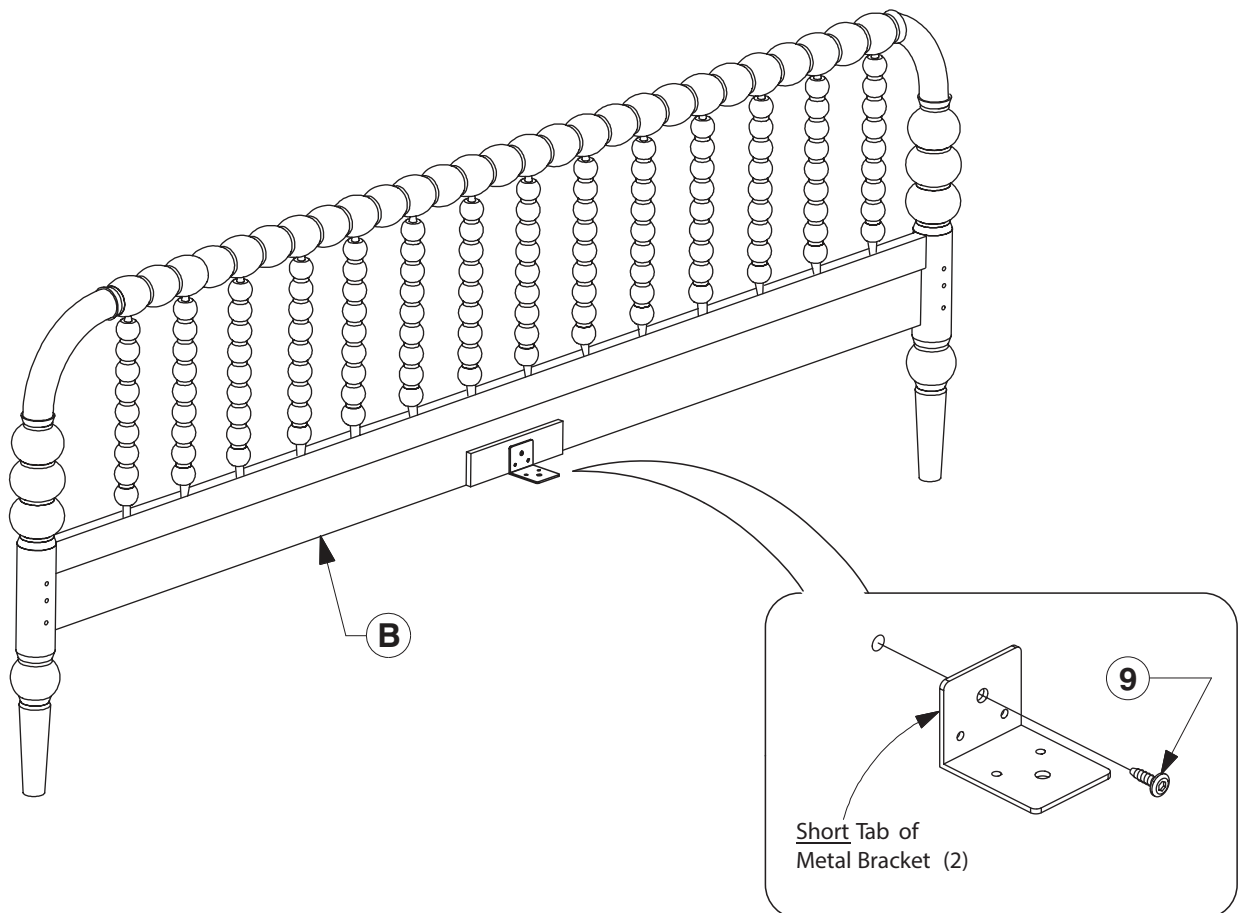
Assembly Instructions

WI-0524

- 6** Assembled the Headboard Post (D & E) to the Headboard Support (C).



- 7** Fit the Center Rail Bracket (2) to the Footboard Panel (B).

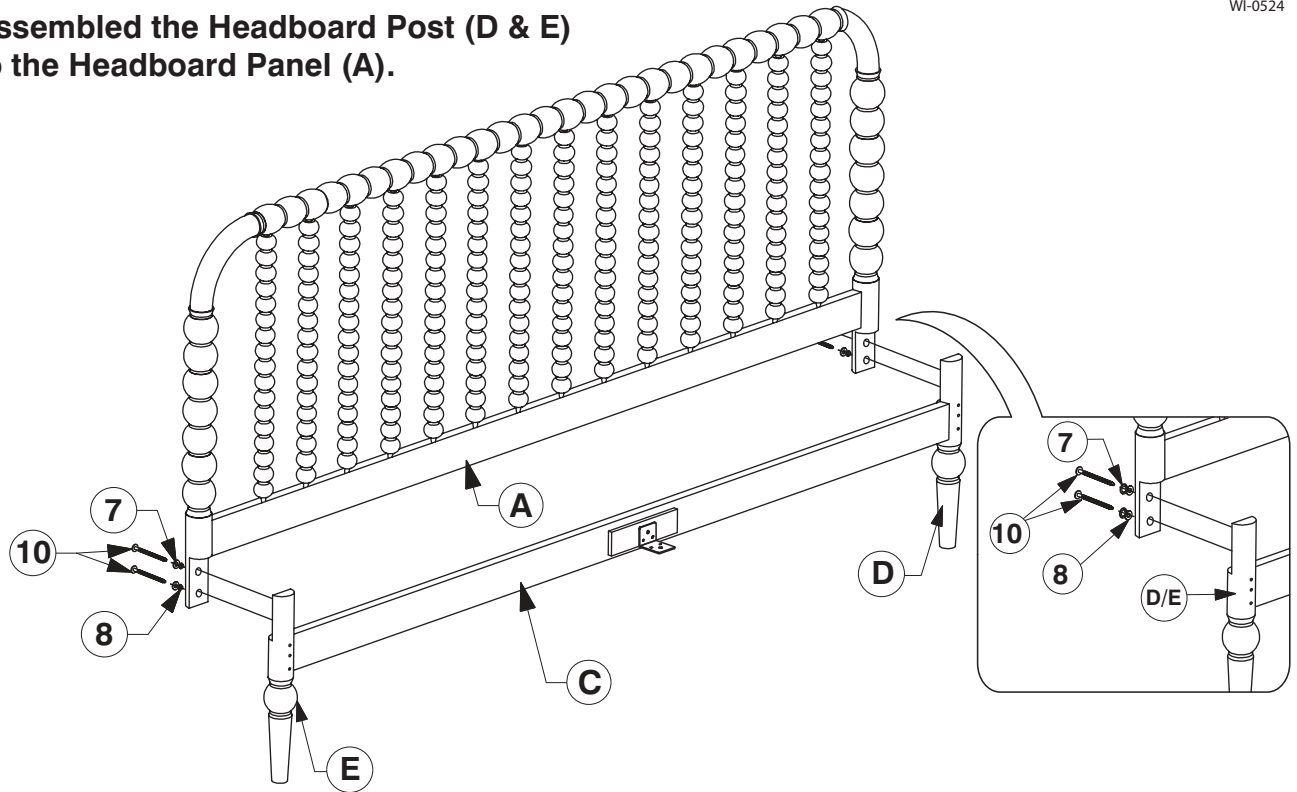


0110-4 Queen Bed

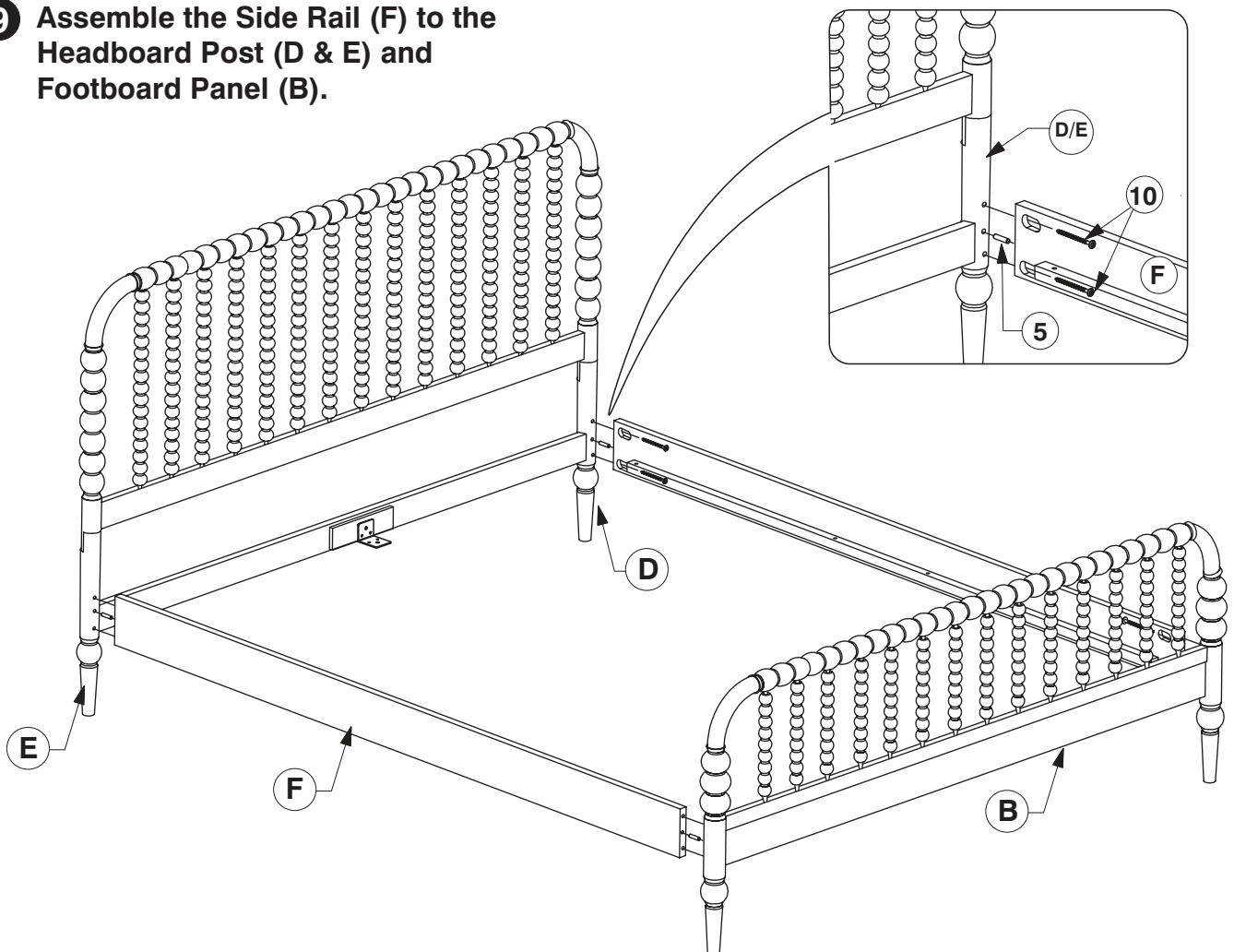
Assembly Instructions

WI-0524

- 8** Assembled the Headboard Post (D & E) to the Headboard Panel (A).



- 9** Assemble the Side Rail (F) to the Headboard Post (D & E) and Footboard Panel (B).

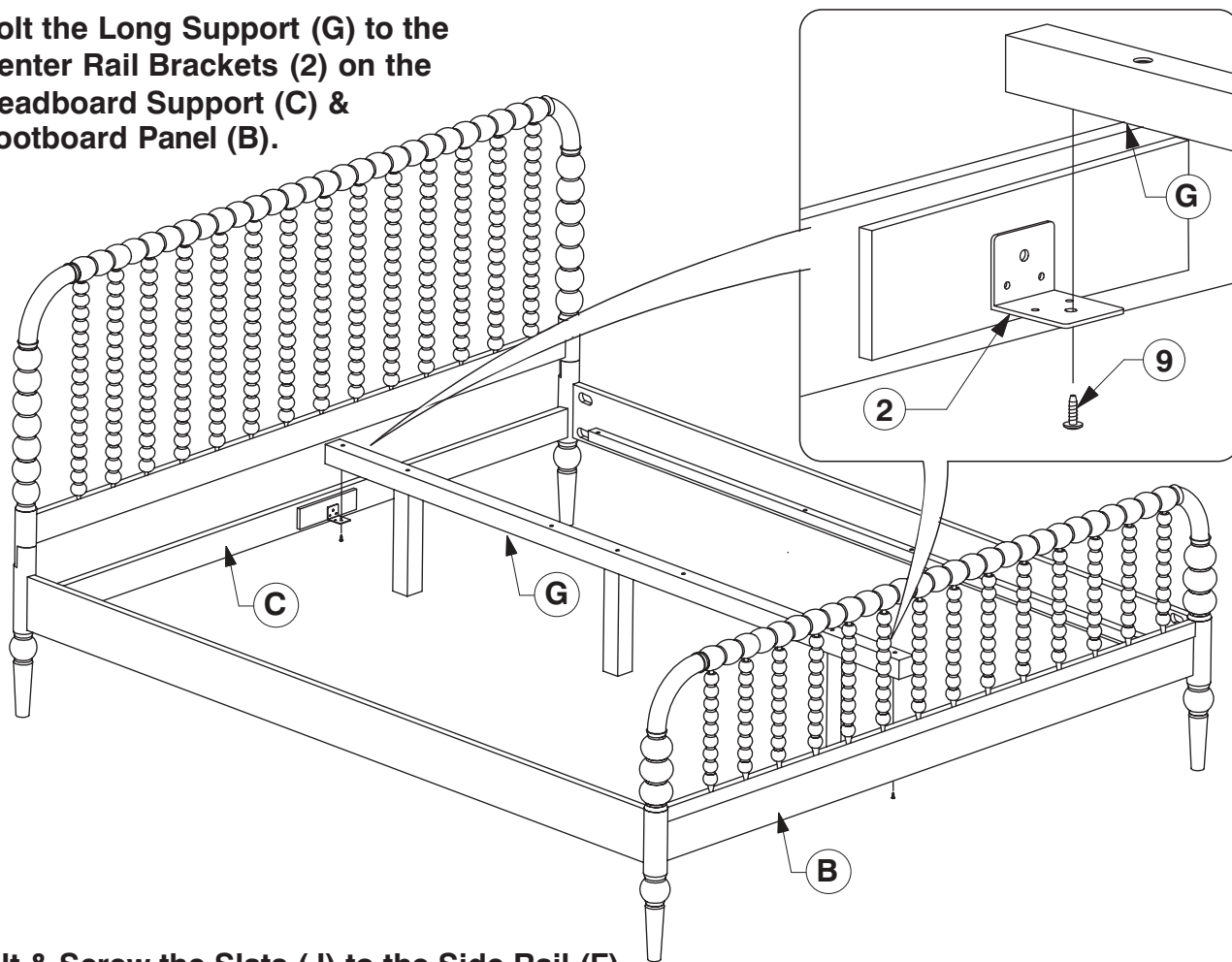


0110-4 Queen Bed

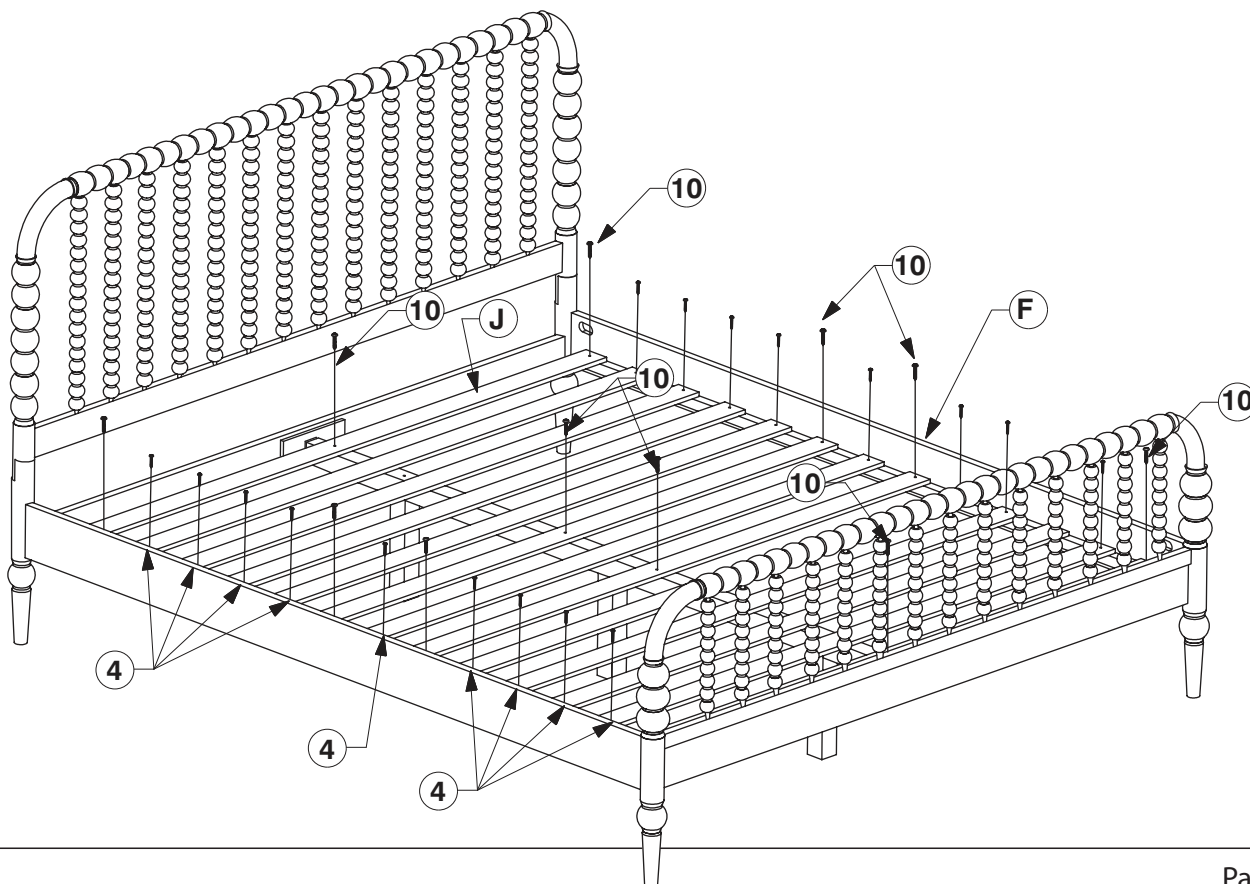
Assembly Instructions

WI-0524

- 10** Bolt the Long Support (G) to the Center Rail Brackets (2) on the Headboard Support (C) & Footboard Panel (B).



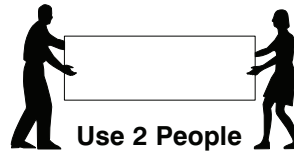
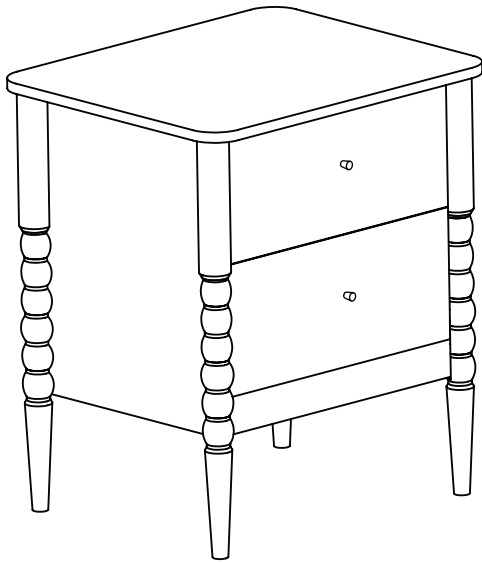
- 11** Bolt & Screw the Slats (J) to the Side Rail (F).



9011 2 Drawer Nightstand

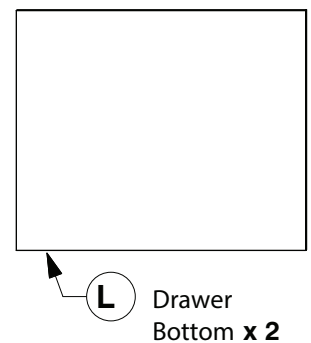
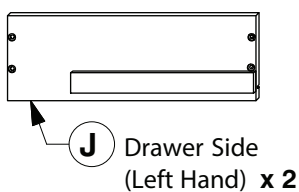
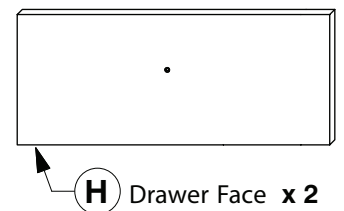
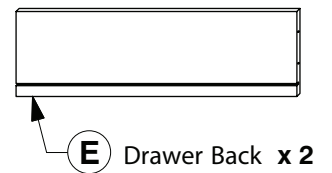
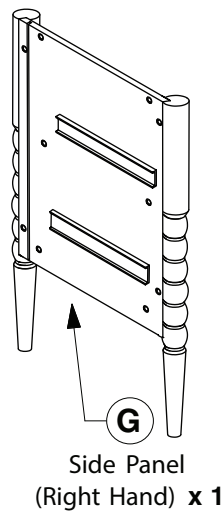
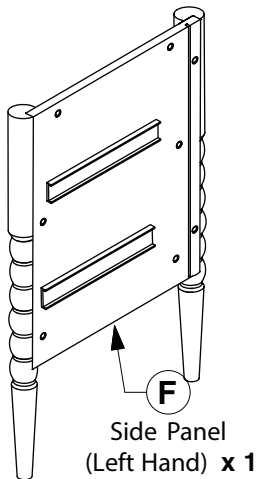
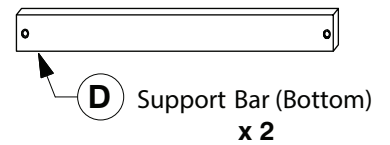
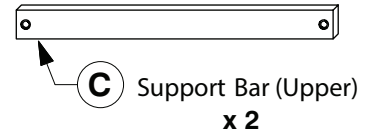
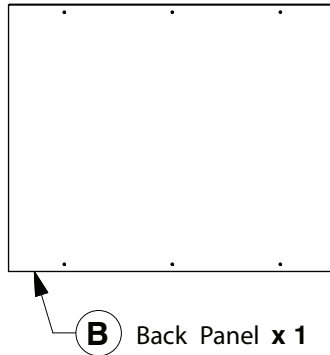
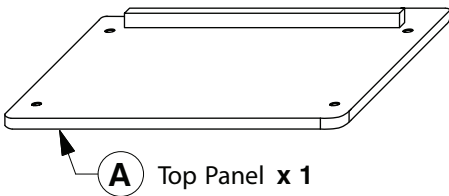
Assembly Instructions

WI-0724



Note: Do not assemble using power tools. This can cause the bolts to be overtightened

1 Parts List


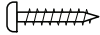
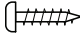
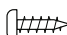

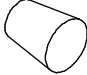




9011 2 Drawer Nightstand

Assembly Instructions

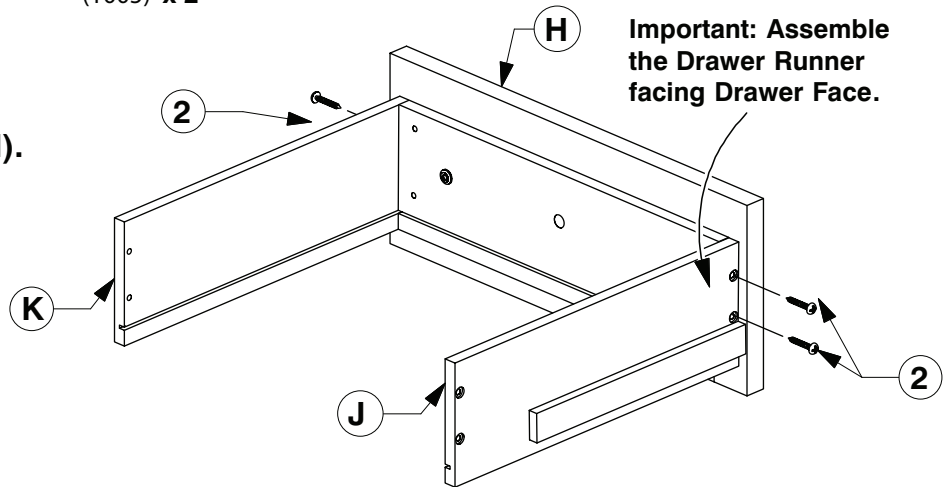
WI-0924

2 Hardware List

- | | | | |
|--|--|---|---|
| 
1 M6 x 15mm
JCB x 24 | 
2 M4 x 25mm
Wood Screw x 16 | 
3 M4 x 20mm
Wood Screw x 8 | 
4 M4 x 16mm
Wood Screw x 6 |
| 
5 'L' Bracket
(5005-3) x 12 | 
6 Handle
(1005) x 2 | 
7 M4 x 20mm
Wood Screw x 2 | 
8 Allen Key
x 1 |

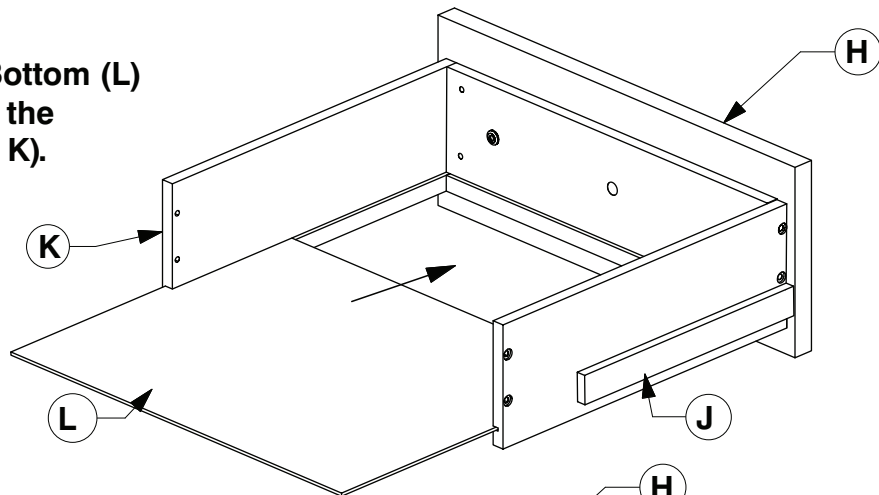
3 Assemble the Drawer Sides (J & K) to the Drawer Face (H).

x2



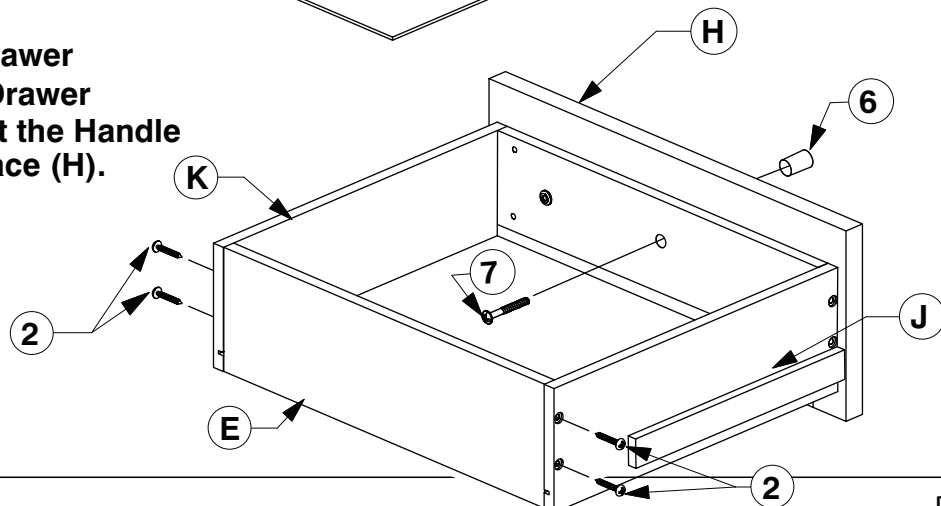
4 Slide the Drawer Bottom (L) into the groove on the Drawer Sides (J & K).

x2



5 Assemble the Drawer Back (E) to the Drawer Sides (J & K). Fit the Handle (6) to the Drawer Face (H).

x2

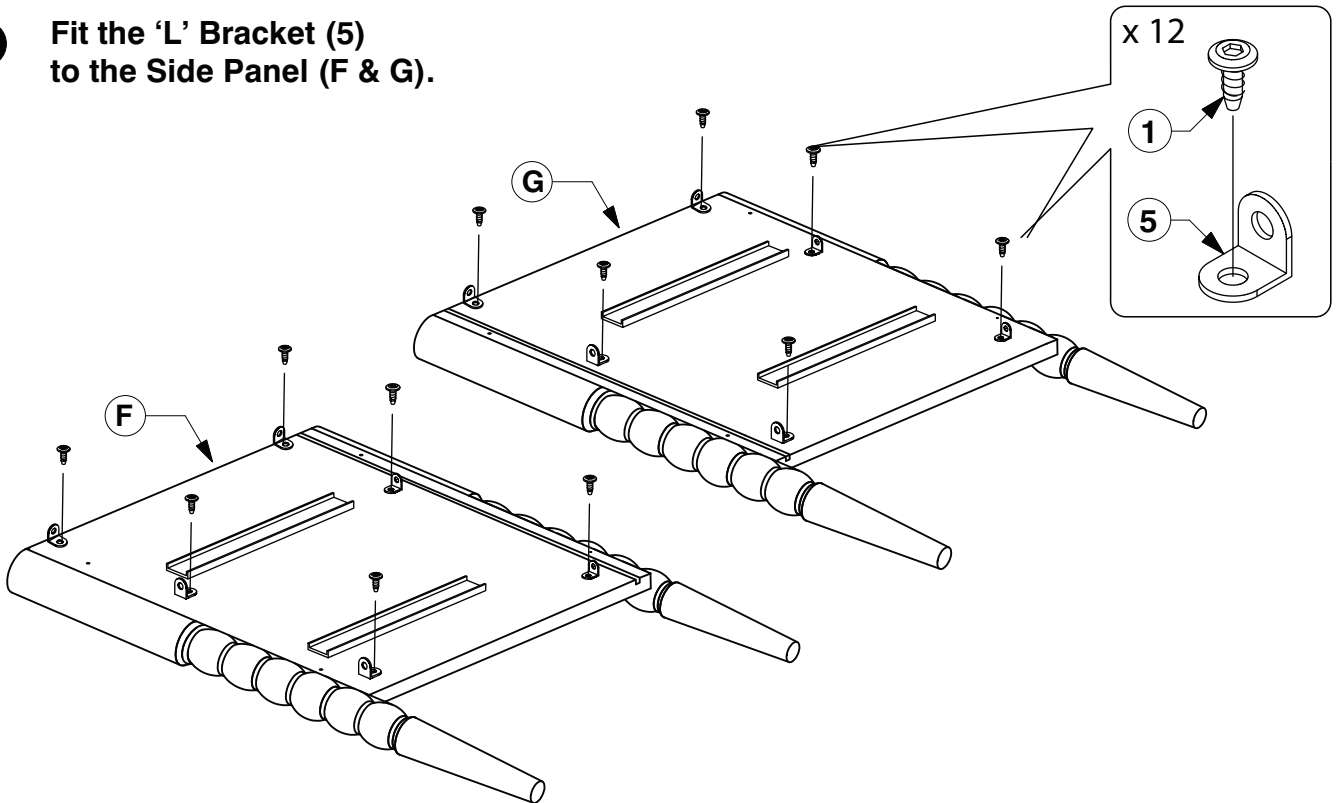


9011 2 Drawer Nightstand

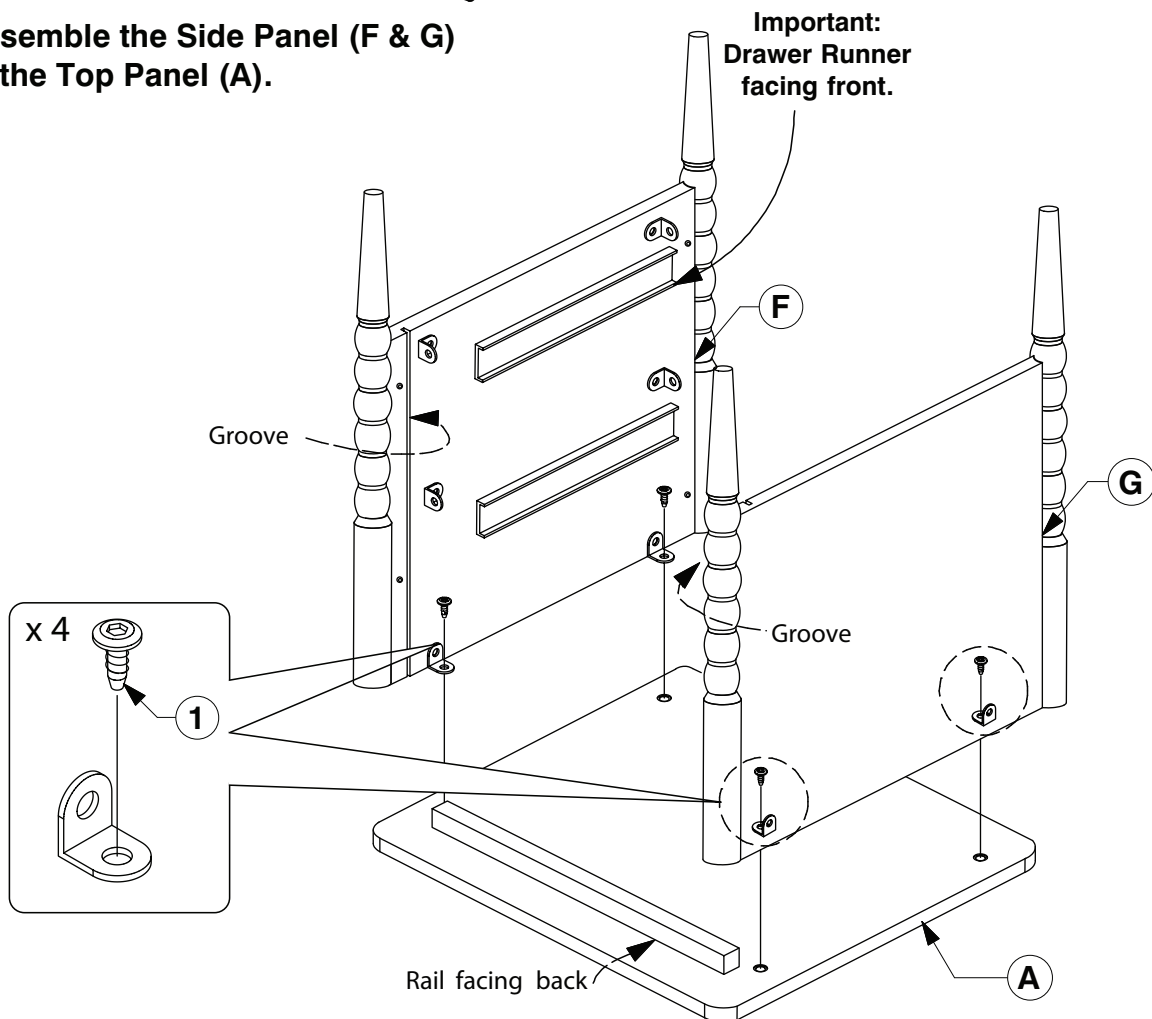
Assembly Instructions

WI-0724

- 6** Fit the 'L' Bracket (5) to the Side Panel (F & G).



- 7** Assemble the Side Panel (F & G) to the Top Panel (A).

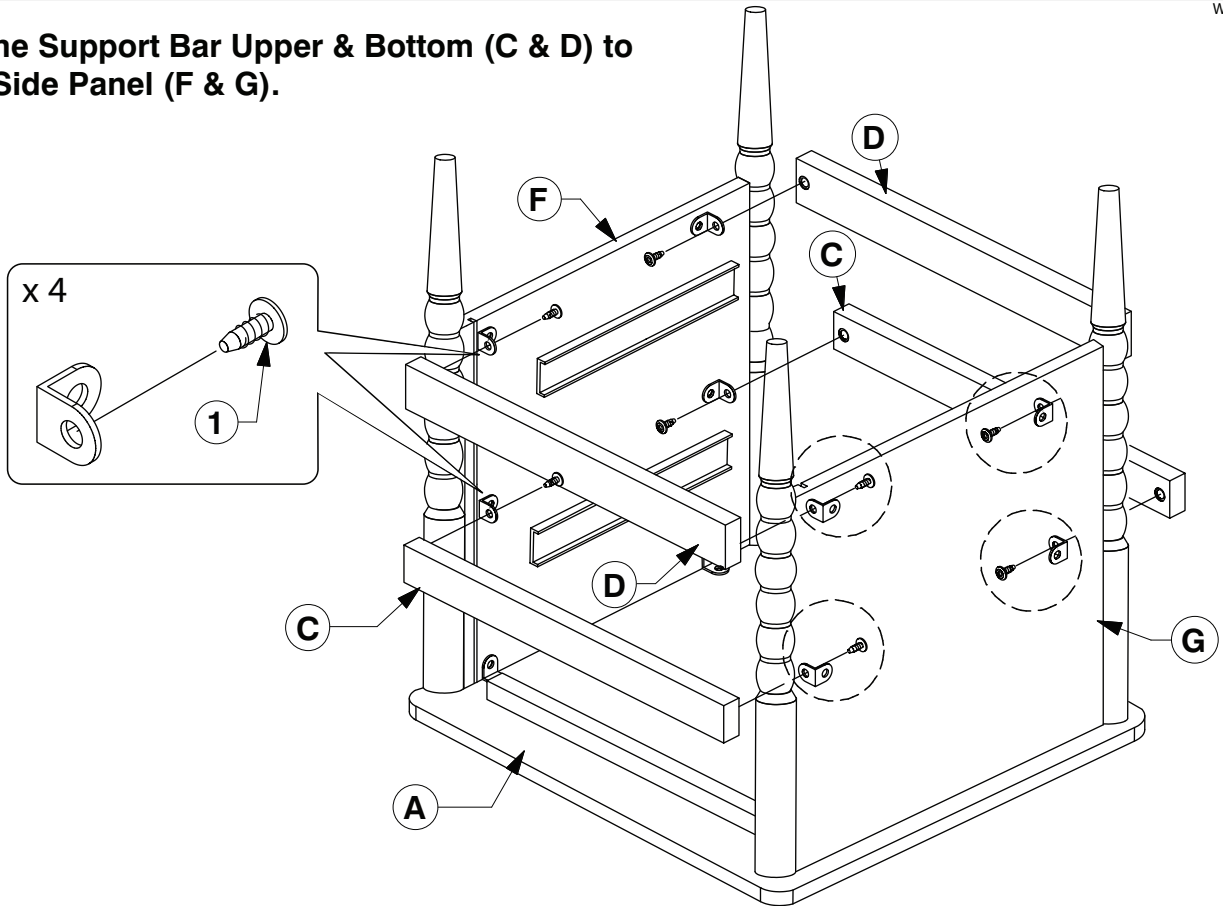


9011 2 Drawer Nightstand

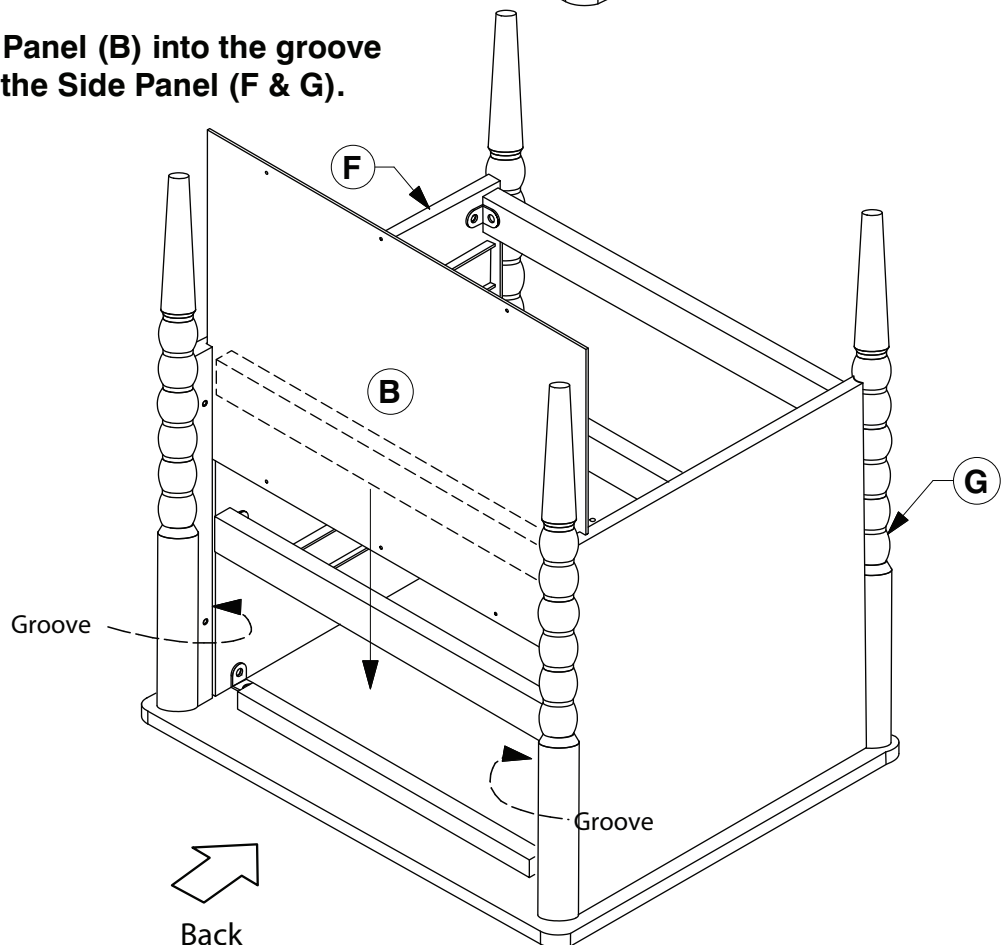
Assembly Instructions

WI-0724

- 8** Fit the Support Bar Upper & Bottom (C & D) to the Side Panel (F & G).



- 9** Slide the Back Panel (B) into the groove on the back of the Side Panel (F & G).

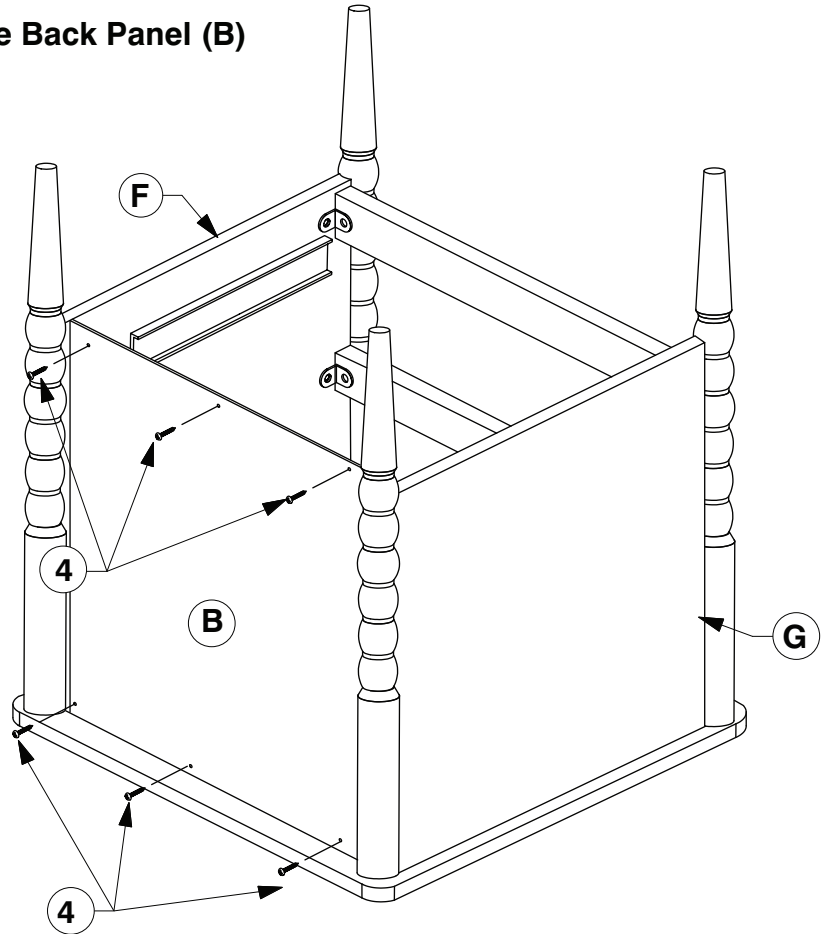


9011 2 Drawer Nightstand

Assembly Instructions

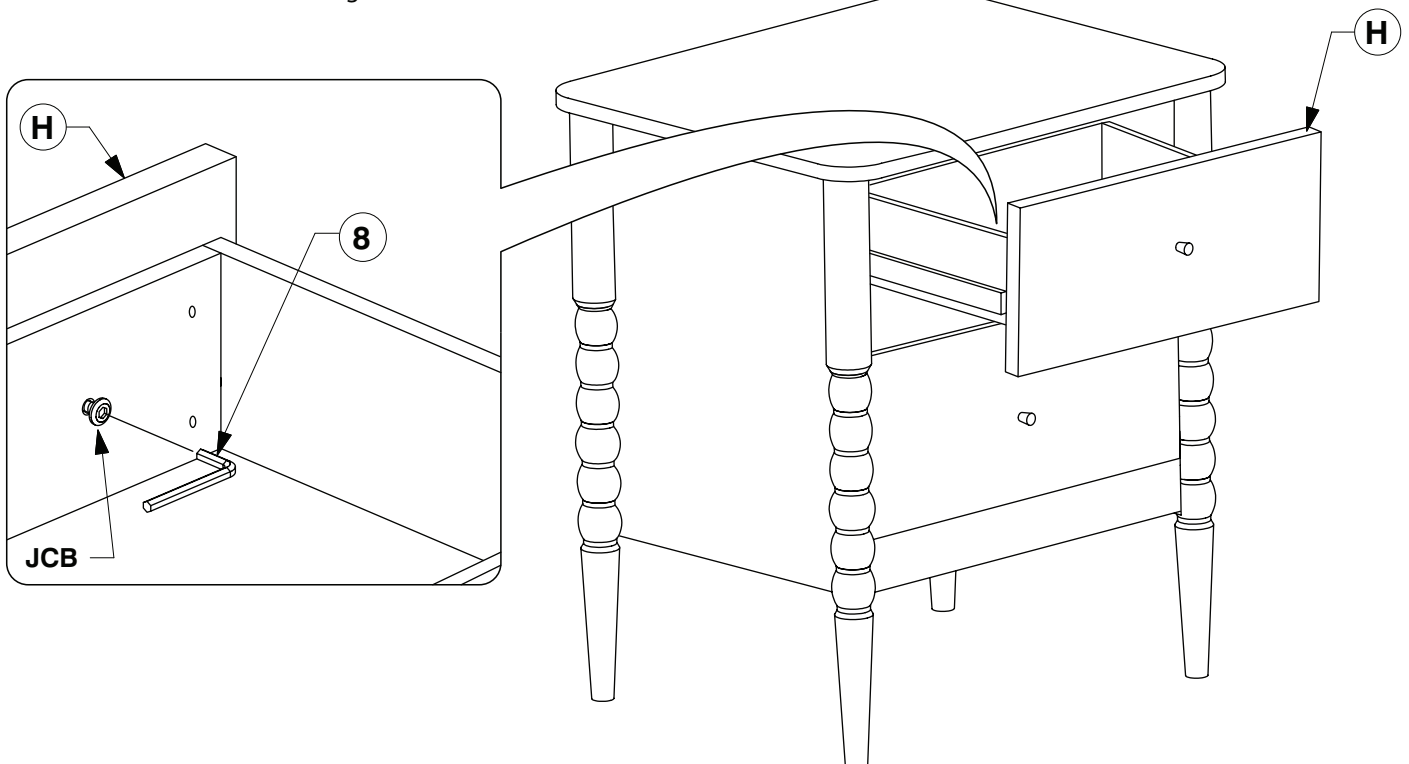
WI-0724

- 10** Use Screw to tighten the Back Panel (B) to the back of frame.



- 11** Fit and adjust the Drawer Face (H).

* NOTE: Before fitting the Wood Screws .
Losen the JCBs on the Drawer Face if the face needs alignment.

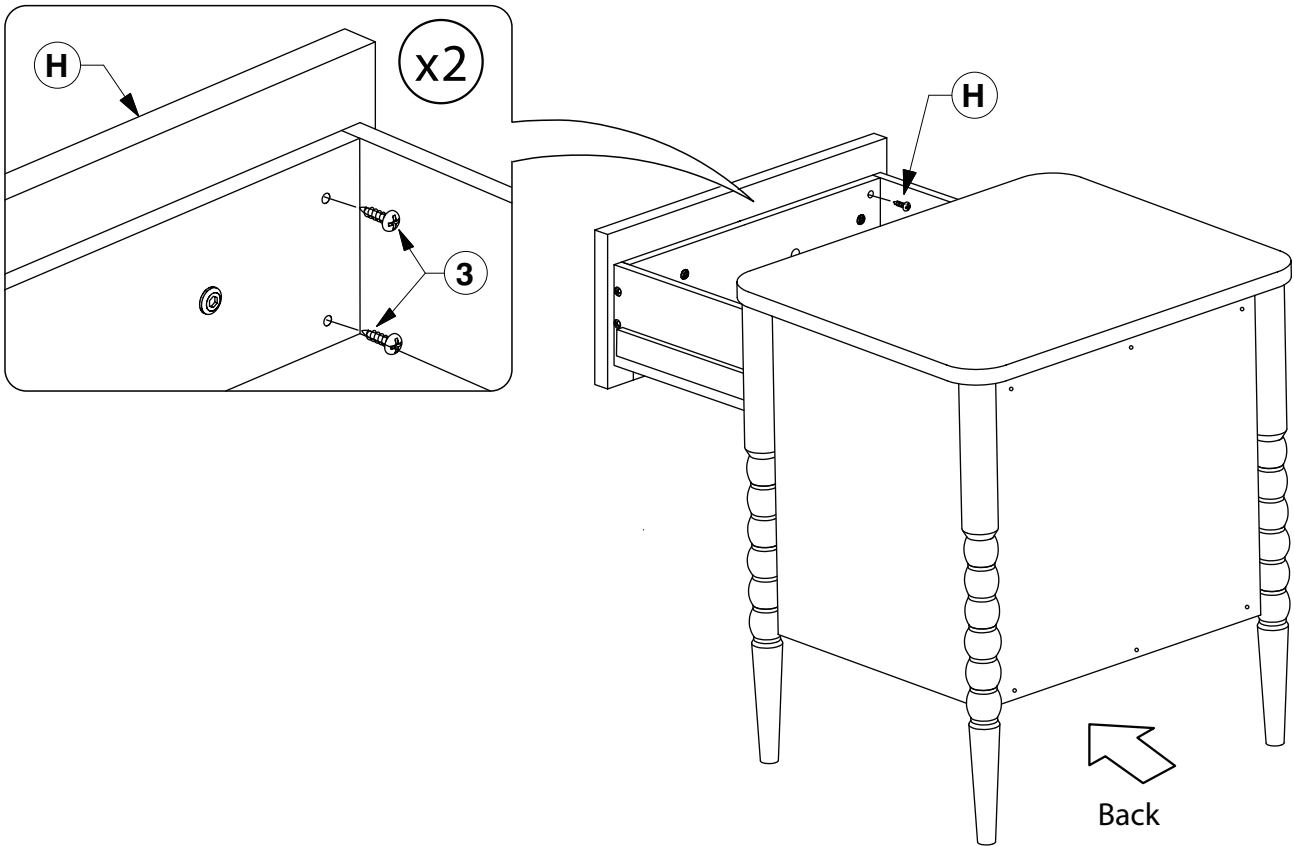


9011 2 Drawer Nightstand

Assembly Instructions

WI-0924

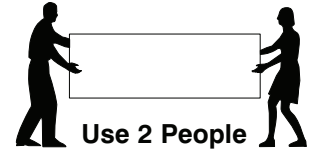
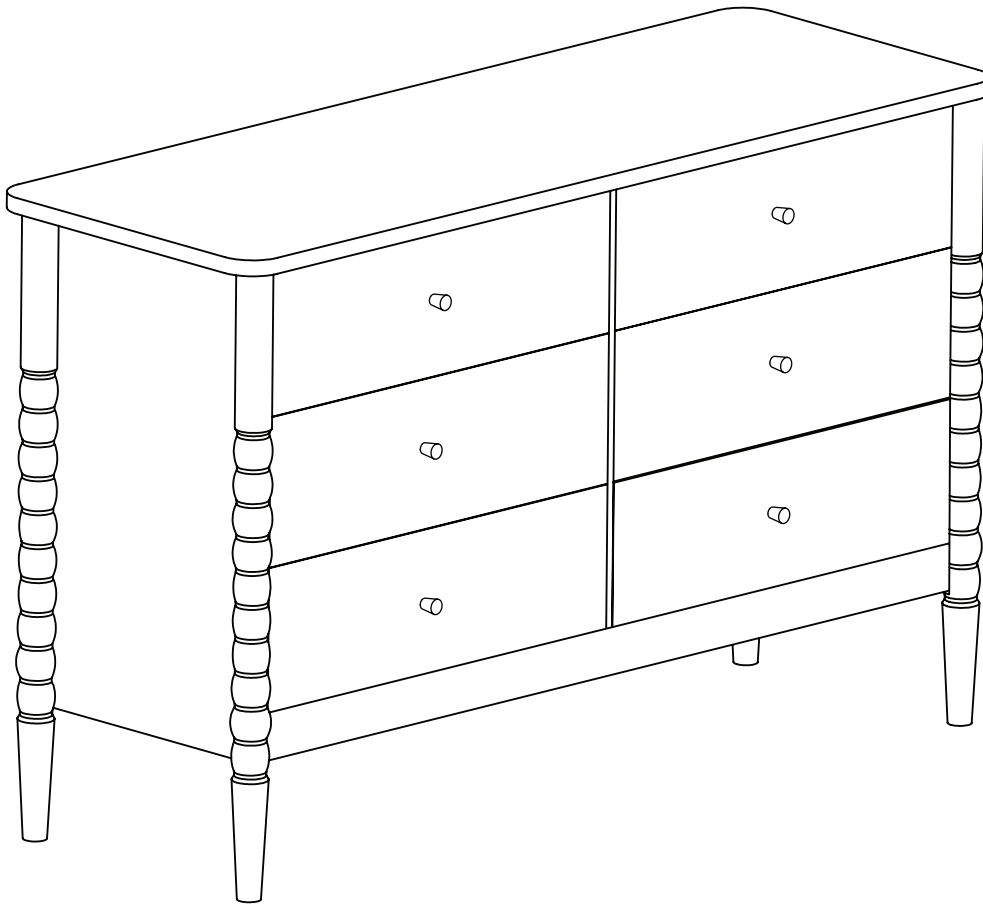
12 After the Drawer Faces (H) are aligned, secure with wood screws.



9011 6 Drawer Dresser

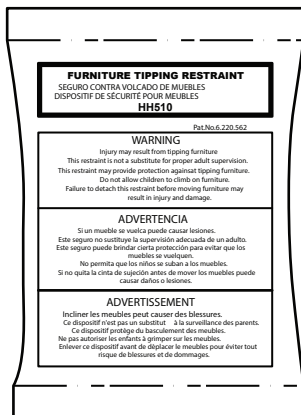
Assembly Instructions

WI-0724



Note: Do not assemble using power tools. This can cause the bolts to be overtightened

WARNING



Anti Tipping Kit
Anti Tipping Kit x 1



Children have died from furniture tipover.

To reduce the risk of furniture tipover:

- ALWAYS install anti-tip device provided.
- NEVER put a TV on this product.
- NEVER allow children to stand, climb, or hang on any drawers, doors or shelves.
- NEVER open more than one drawer at a time.
- DO NOT defeat or remove the drawer interlock system; it is an important stability and safety system.
- Place heaviest items in the lowest drawer.

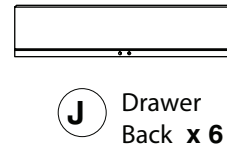
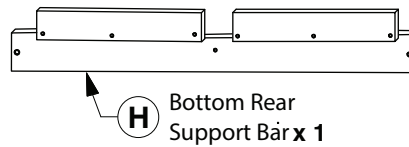
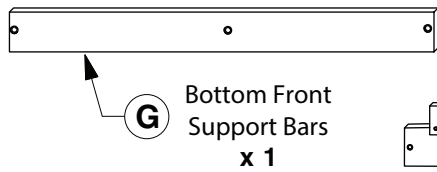
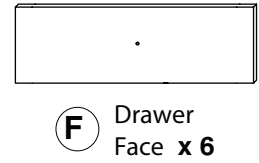
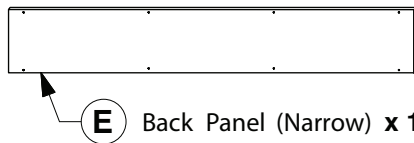
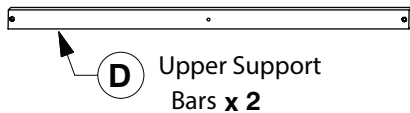
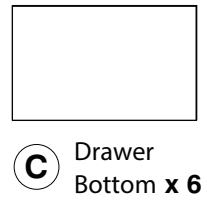
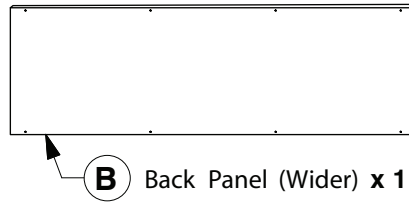
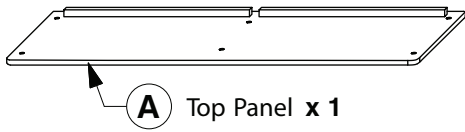
9011 6 Drawer Dresser

Assembly Instructions

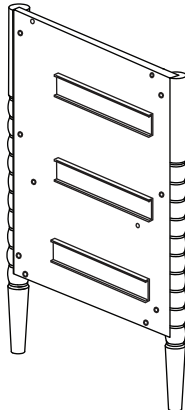
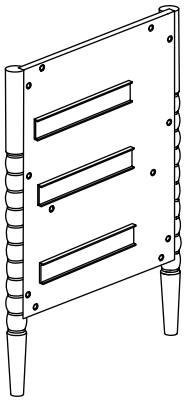
WI-0724

1 Parts List

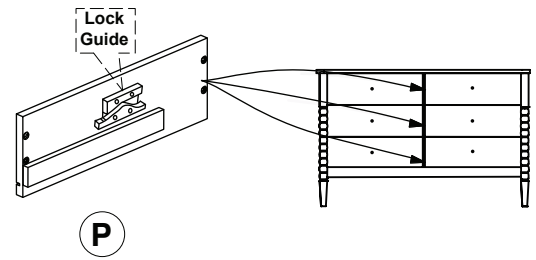
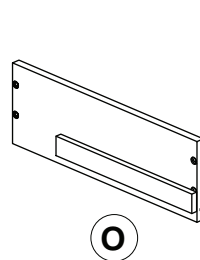
Parts in Box A:



Parts in Box B:

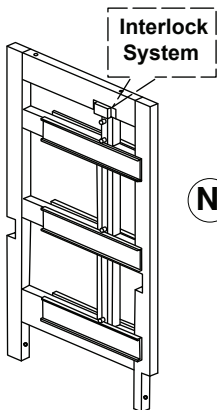


Parts for **LEFT** Side Drawer

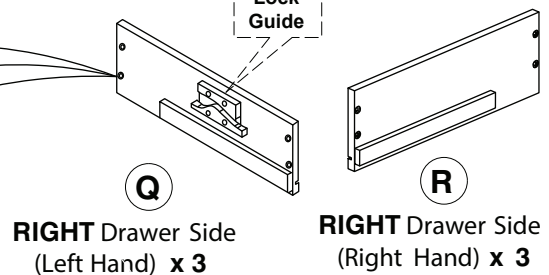
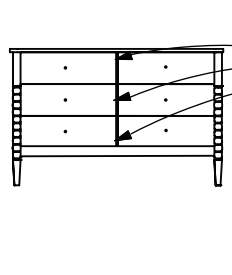


L Side Panel (Left Hand) x 1

M Side Panel (Right Hand) x 1



Parts for **RIGHT** Side Drawer

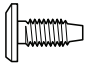


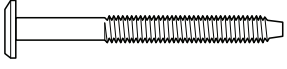
9011 6 Drawer Dresser


Assembly Instructions

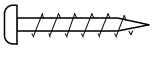
WI-0724

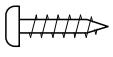
2 Hardware List

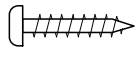
- 


1 M6 x
15mm JCB
x 24
- 


2 M6 x
60mm JCB
x 2
- 


3 M6 x
30mm JCB
x 4
- 

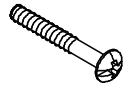
4 Wood Screw
(M4 x 32mm)
x 16
- 


5 Wood Screw
(M4 x 20mm)
x 24
- 

6 Wood Screw
(M4 x 25mm)
x 60
- 

7 M6 x 25mm
Wood Dowel
x 24
- 

8 'L' Bracket
(5005-3) x 12
- 

9 Handle
(1005) x 6
- 

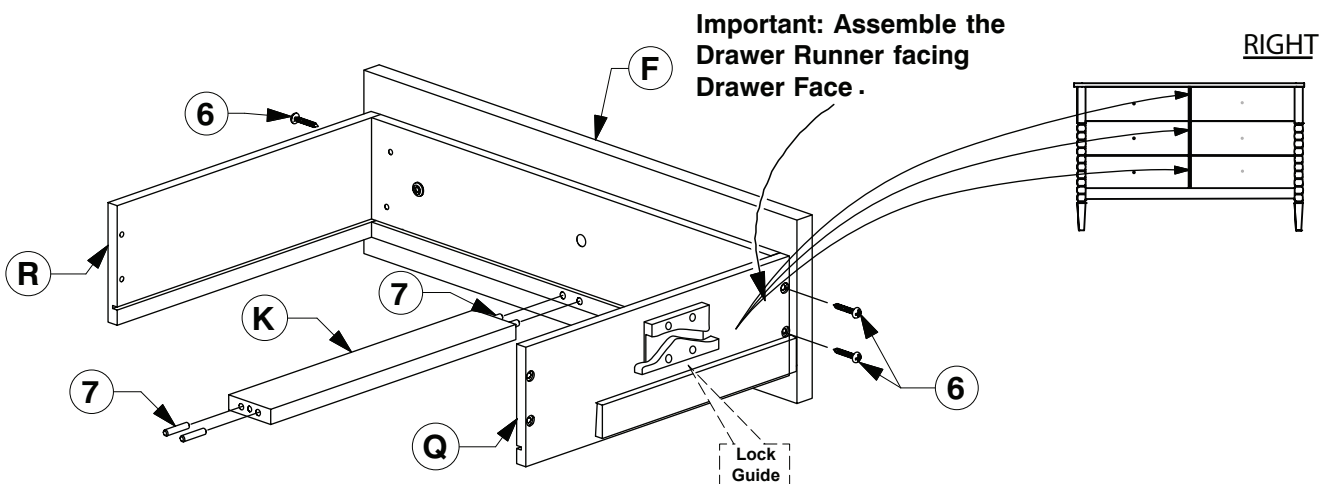
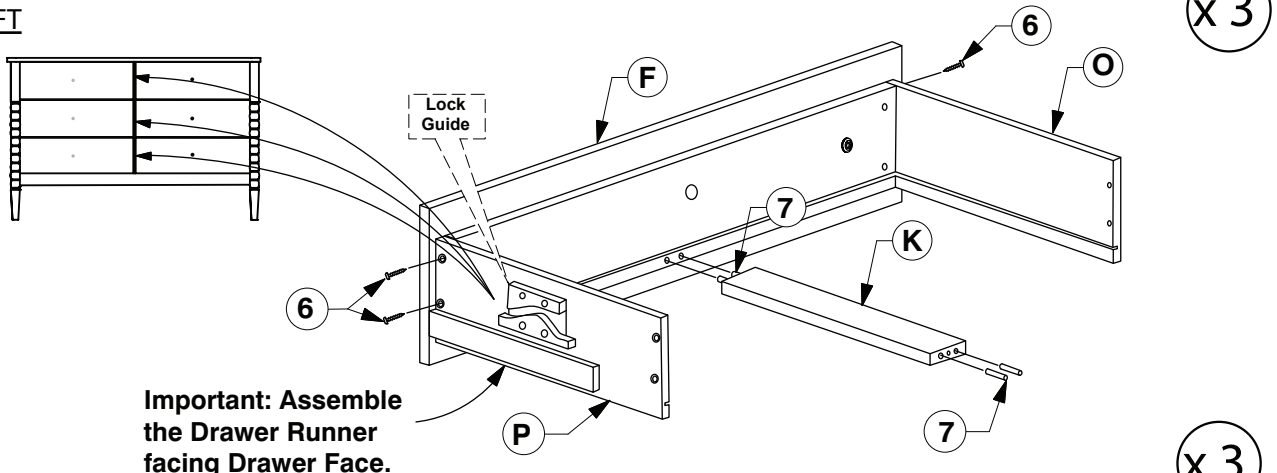
10 M4 x 20mm
Wood Screw x 6
- 

11 Allen Key
x 1

3 Assemble the Drawers.

STEP 3.1

LEFT



9011 6 Drawer Dresser

Assembly Instructions

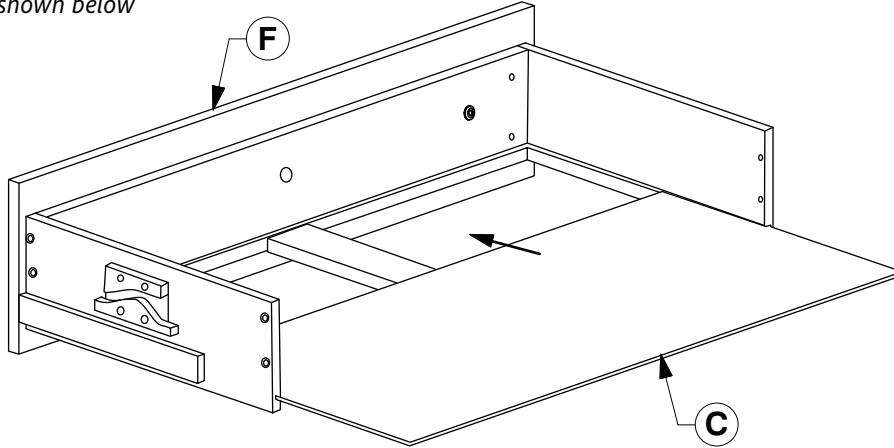
WI-0924

3 Assemble the Drawers.

STEP 3.2

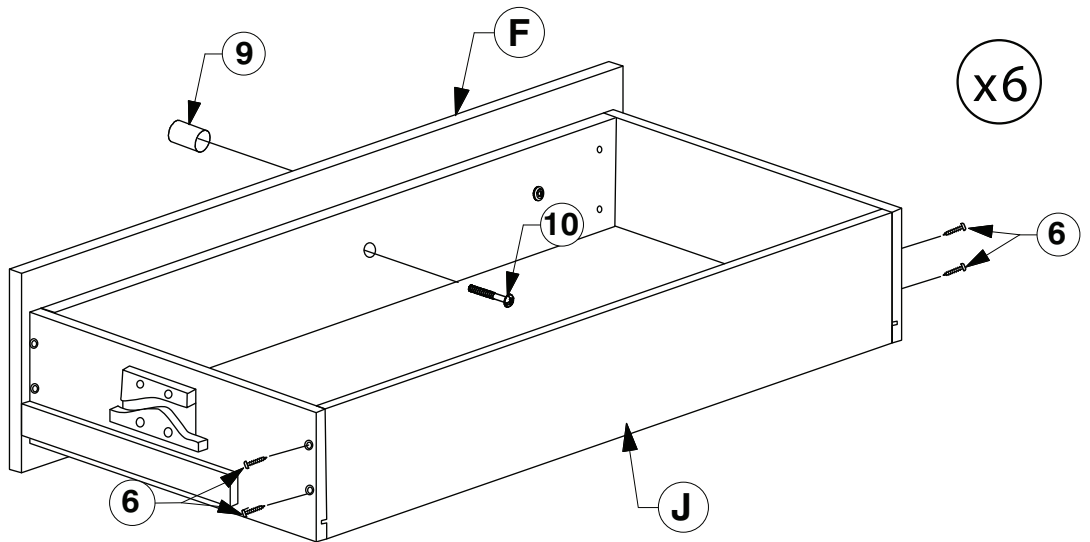
x6

* 3 Assemble the left and right drawers as shown below



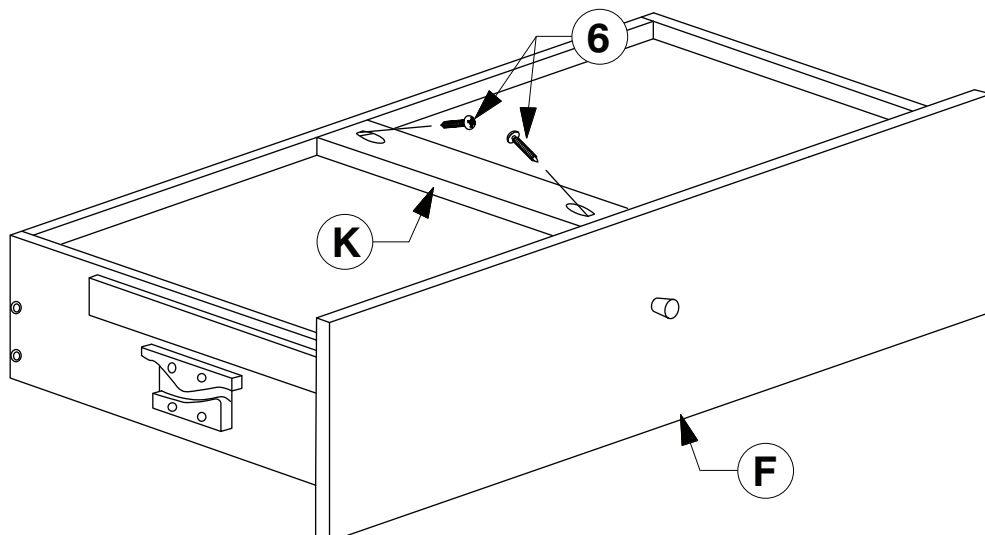
STEP 3.3

x6



STEP 3.4

x6

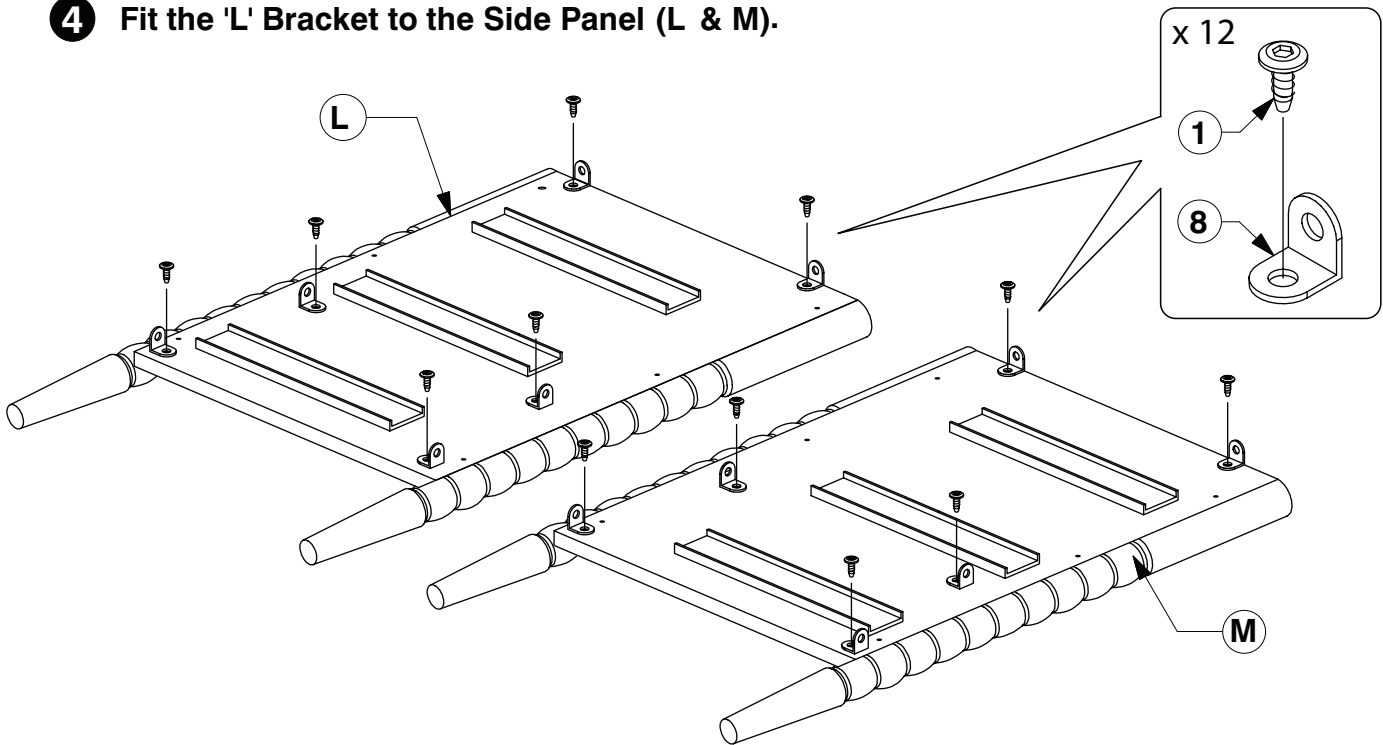


9011 6 Drawer Dresser

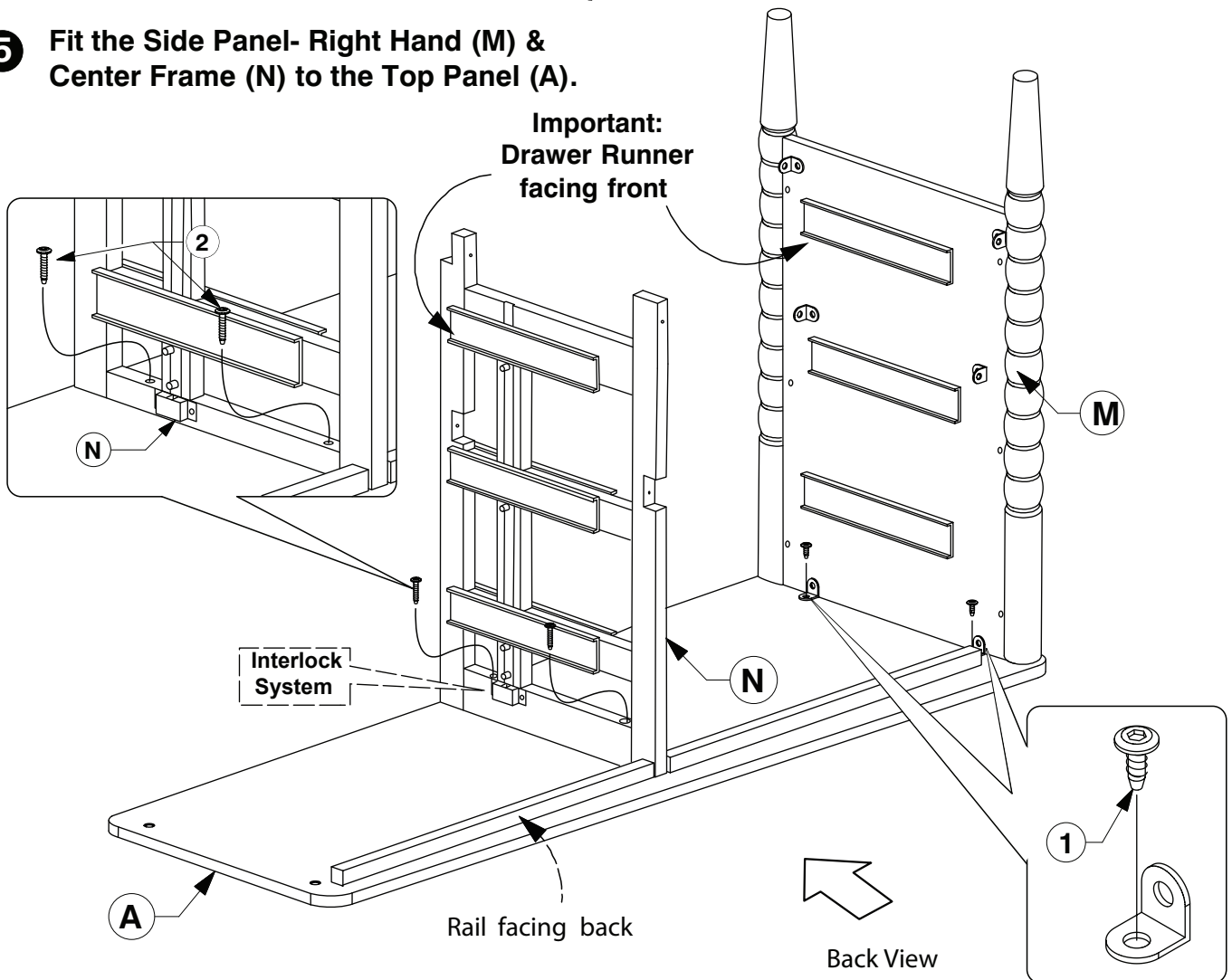
Assembly Instructions

WI-0724

4 Fit the 'L' Bracket to the Side Panel (L & M).



5 Fit the Side Panel- Right Hand (M) & Center Frame (N) to the Top Panel (A).

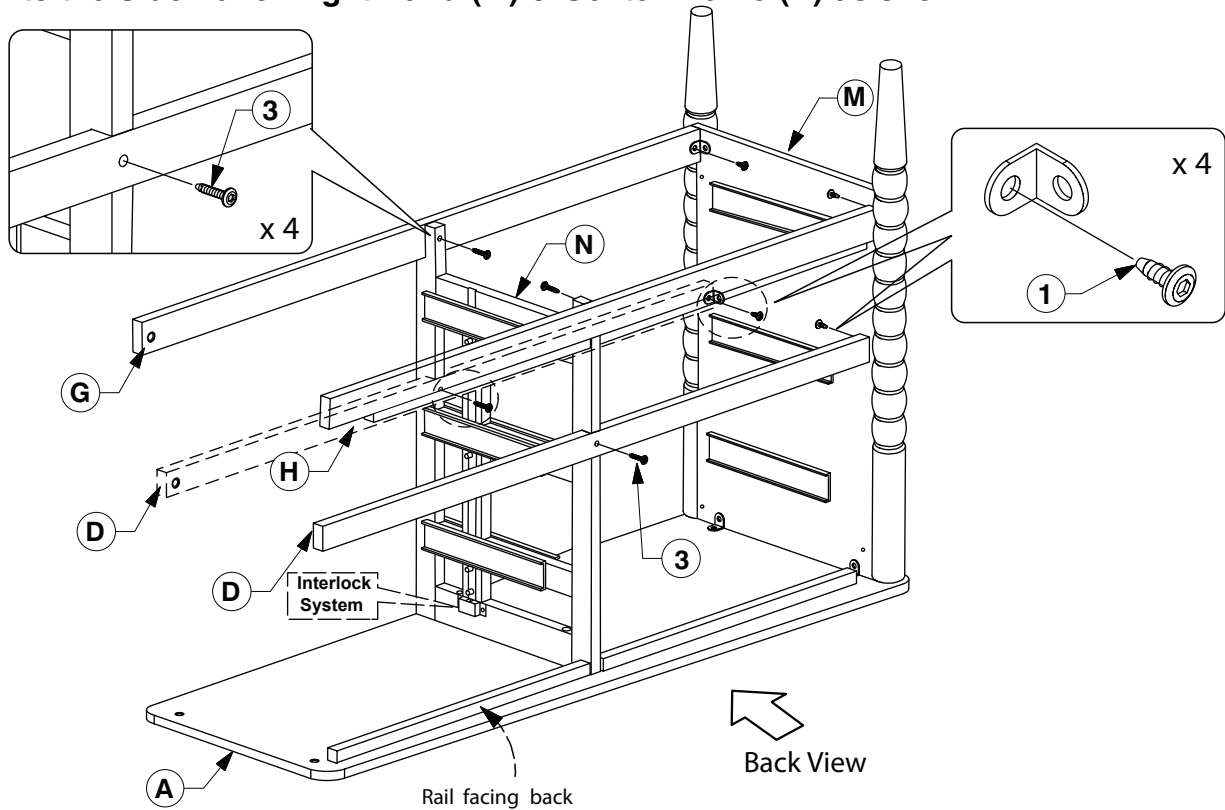


9011 6 Drawer Dresser

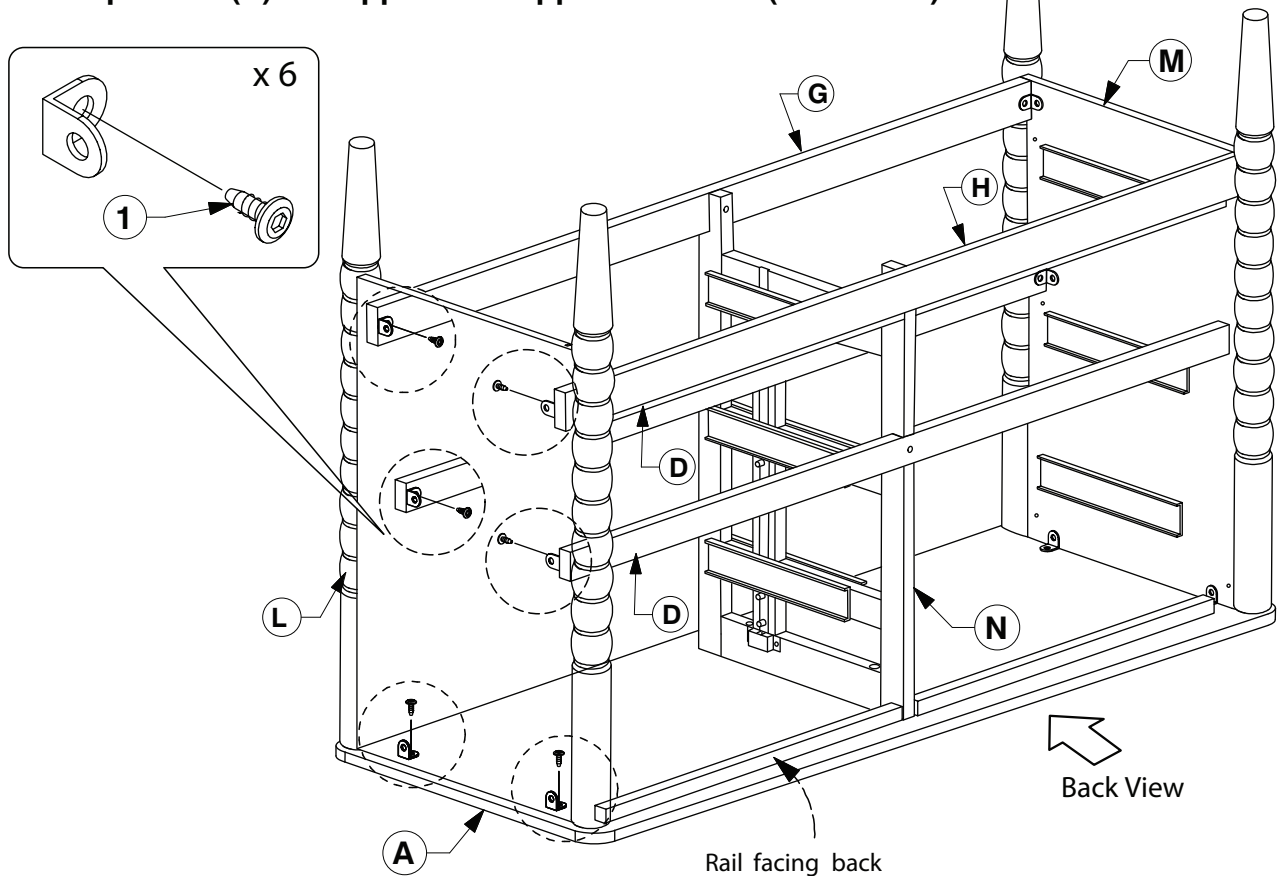
Assembly Instructions

WI-0724

- 6** Fit the Upper Support Bar (D) and Bottom Front & Rear Support Bars (G & H) to the Side Panel-Right Hand (M) & Center Frame (N) as shown.



- 7** Fit the other side of Side Panel- Left Hand (L) to the Top Panel (A) & Support Bar Upper & Bottom (D & G & H).

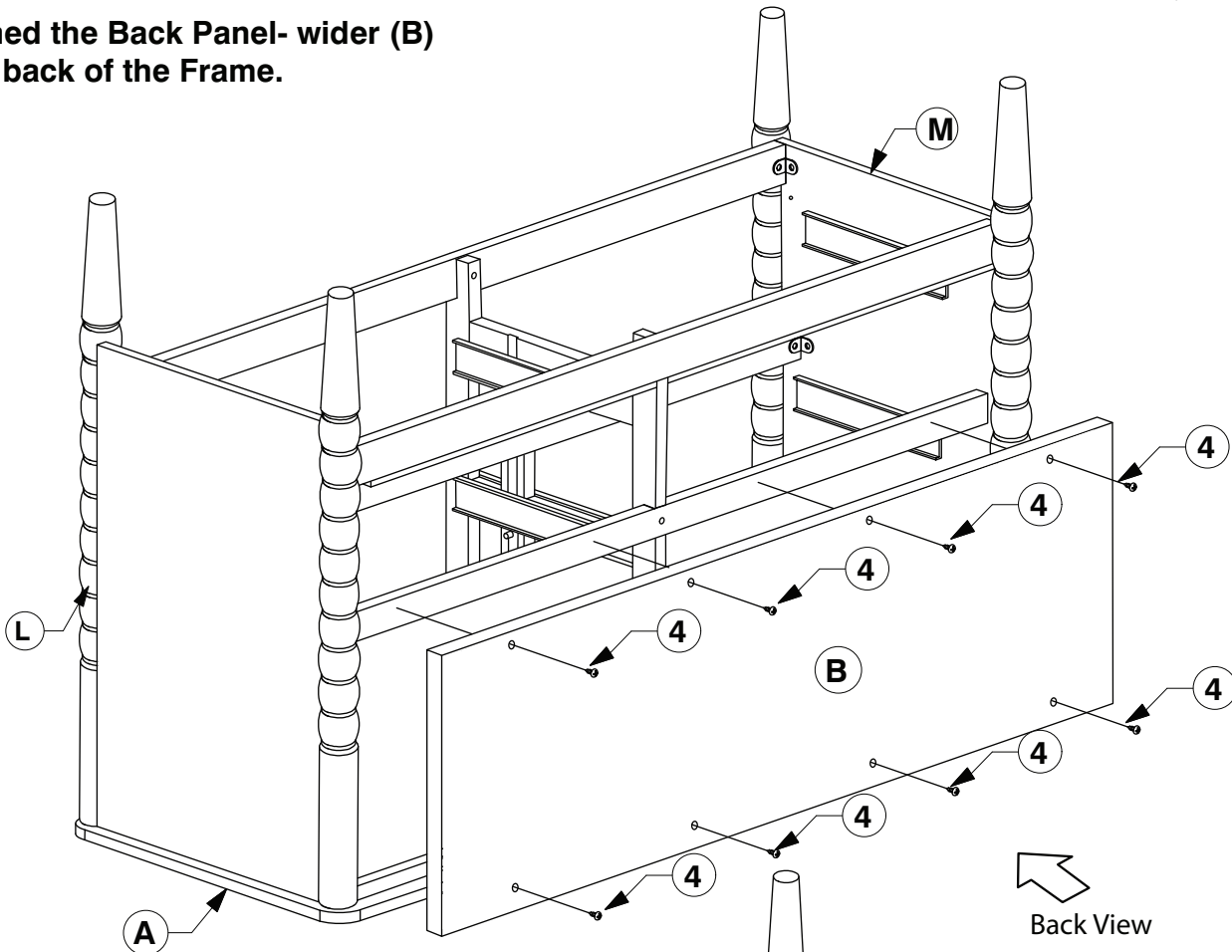


9011 6 Drawer Dresser

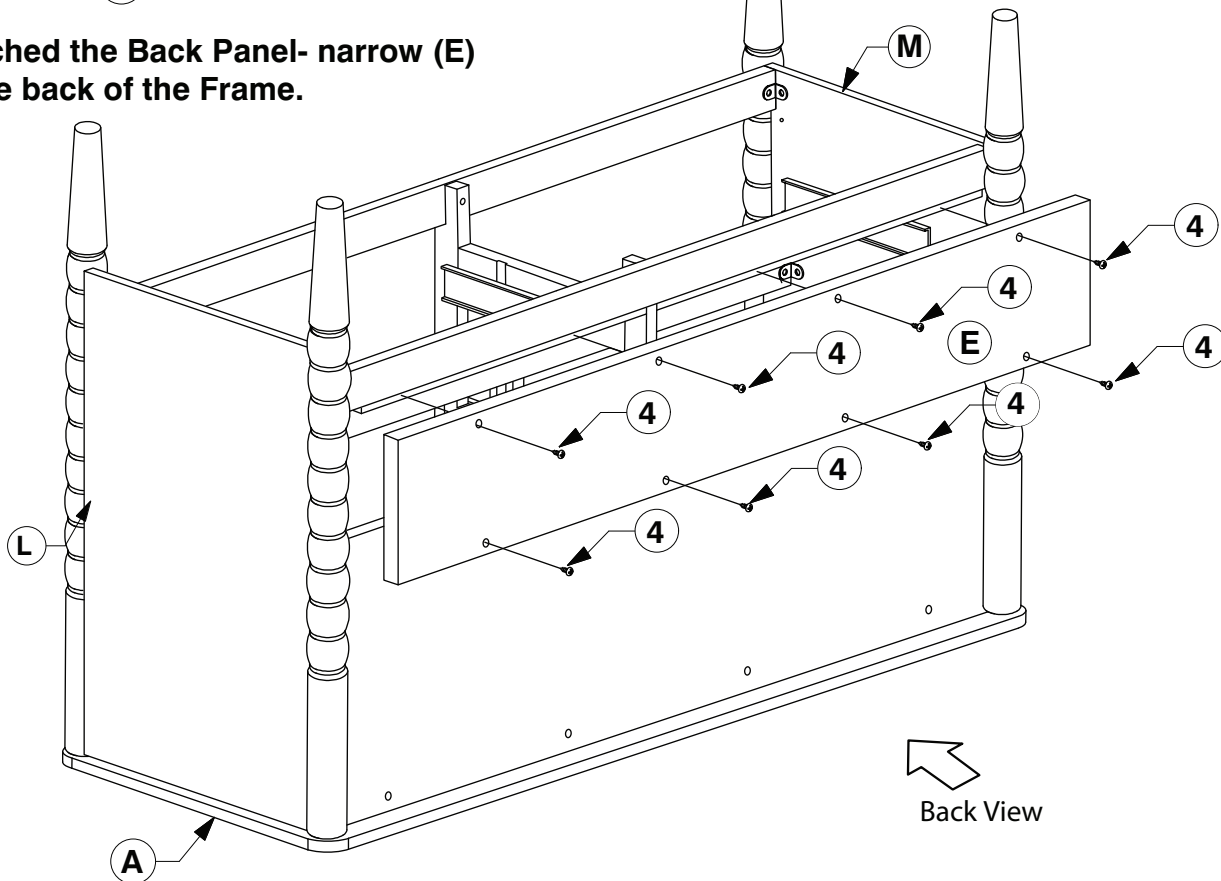
Assembly Instructions

WI-0724

- 8** Attached the Back Panel- wider (B) to the back of the Frame.



- 9** Attached the Back Panel- narrow (E) to the back of the Frame.



Back View

Back View

9011 6 Drawer Dresser

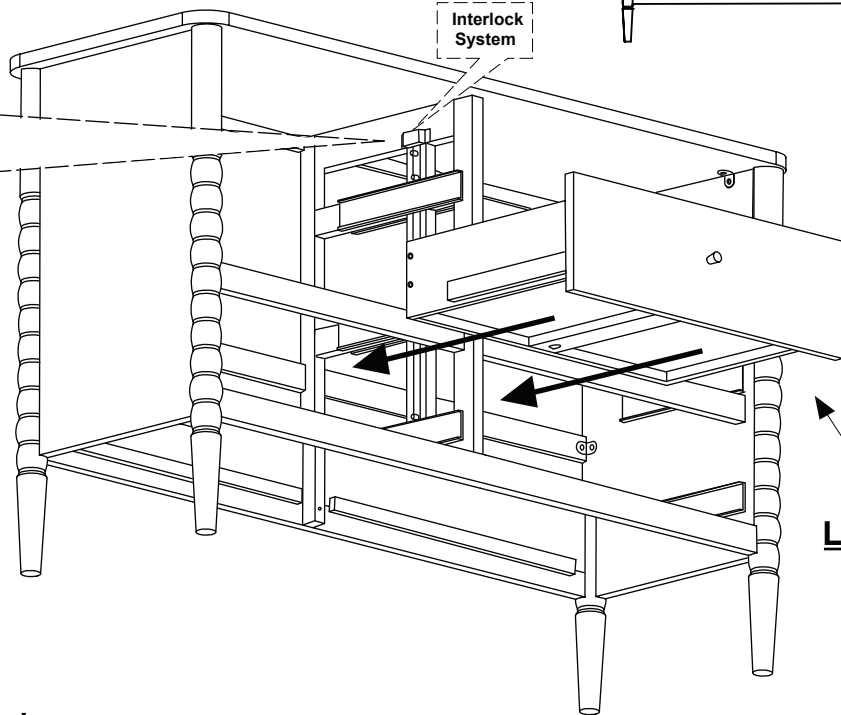
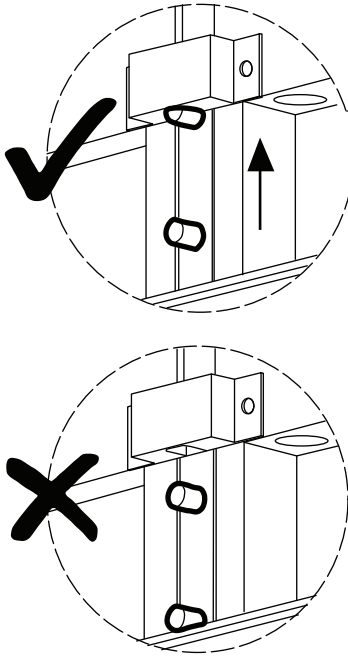
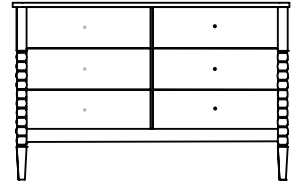
Assembly Instructions

WI-0924

10 Install the Drawers.

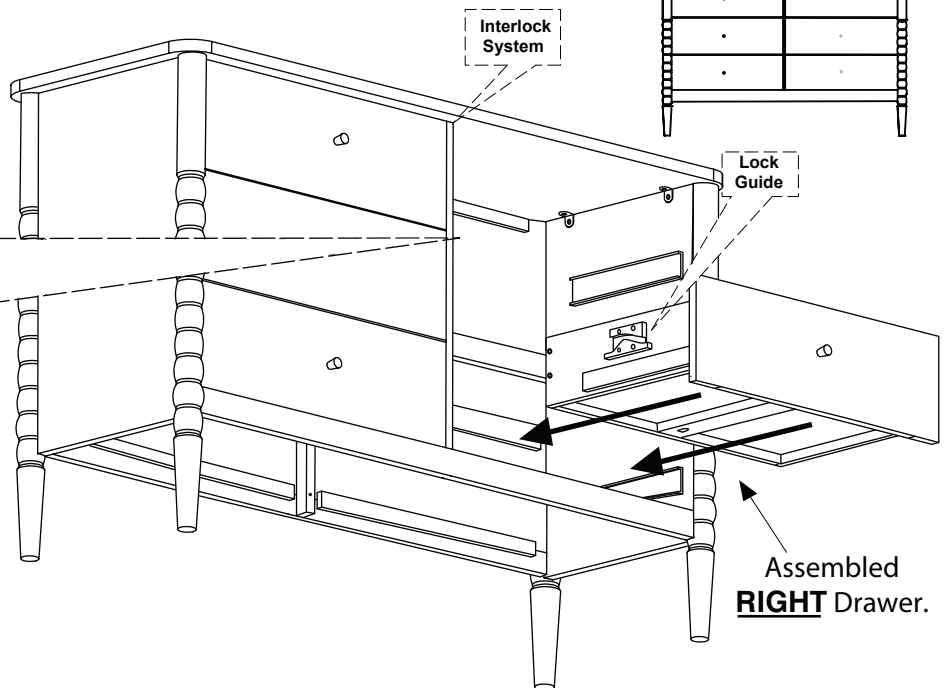
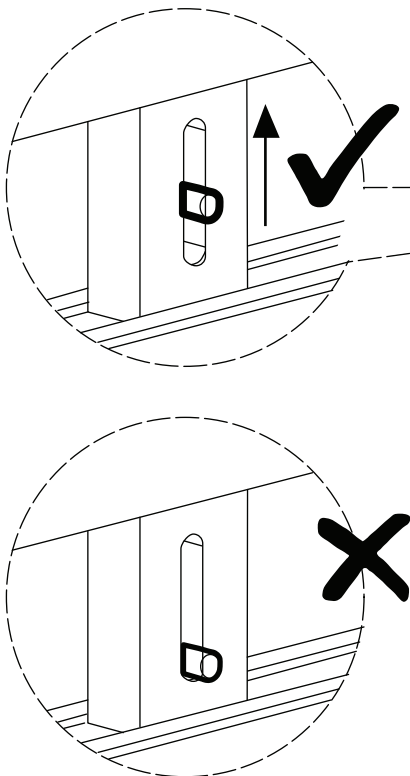
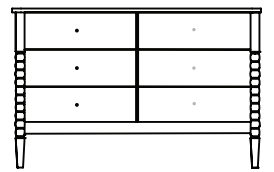
- Push the Interlock bar **upwards** before inserting the drawers.

LEFT



- Push the Interlock bar **upwards** before inserting the drawers.

RIGHT



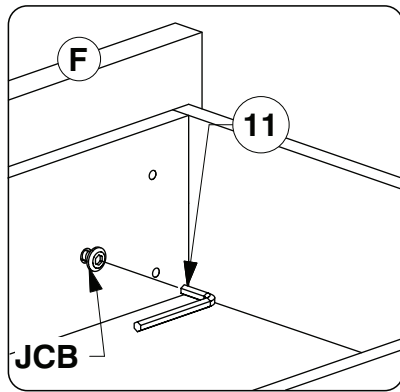
9011 6 Drawer Dresser

Assembly Instructions

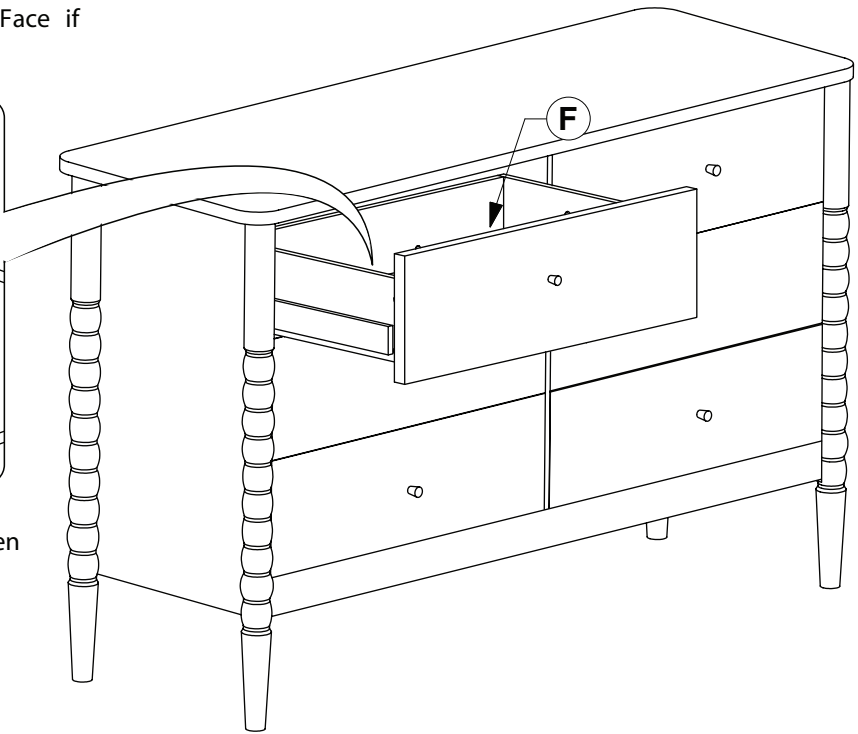
WI-0924

11 Adjust the Drawer Face (F).

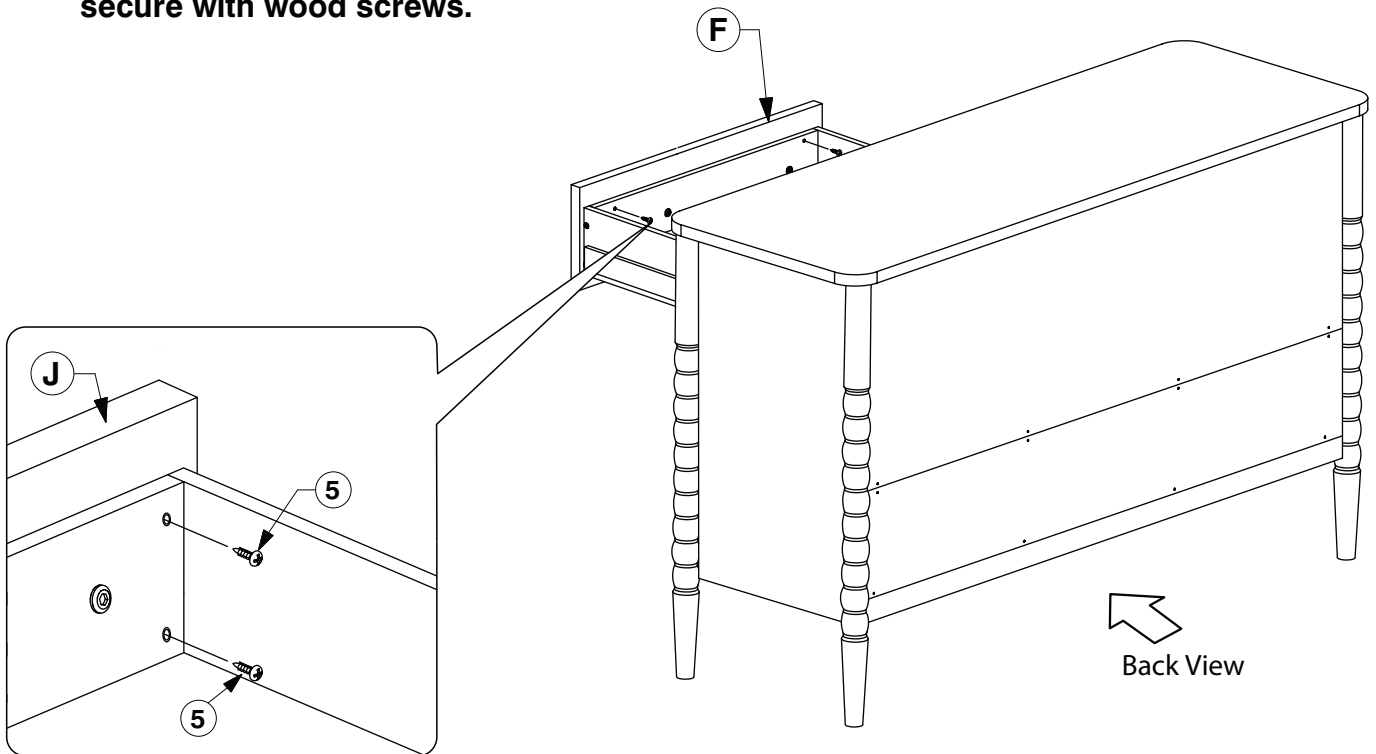
- * NOTE: Before fitting the Wood Screws .
Loosen the JCBs on the Drawer Face if
the face needs alignment.



- * NOTE: Only one Drawer can be open
at a time.



12 After the Drawer Faces (F) are aligned, secure with wood screws.



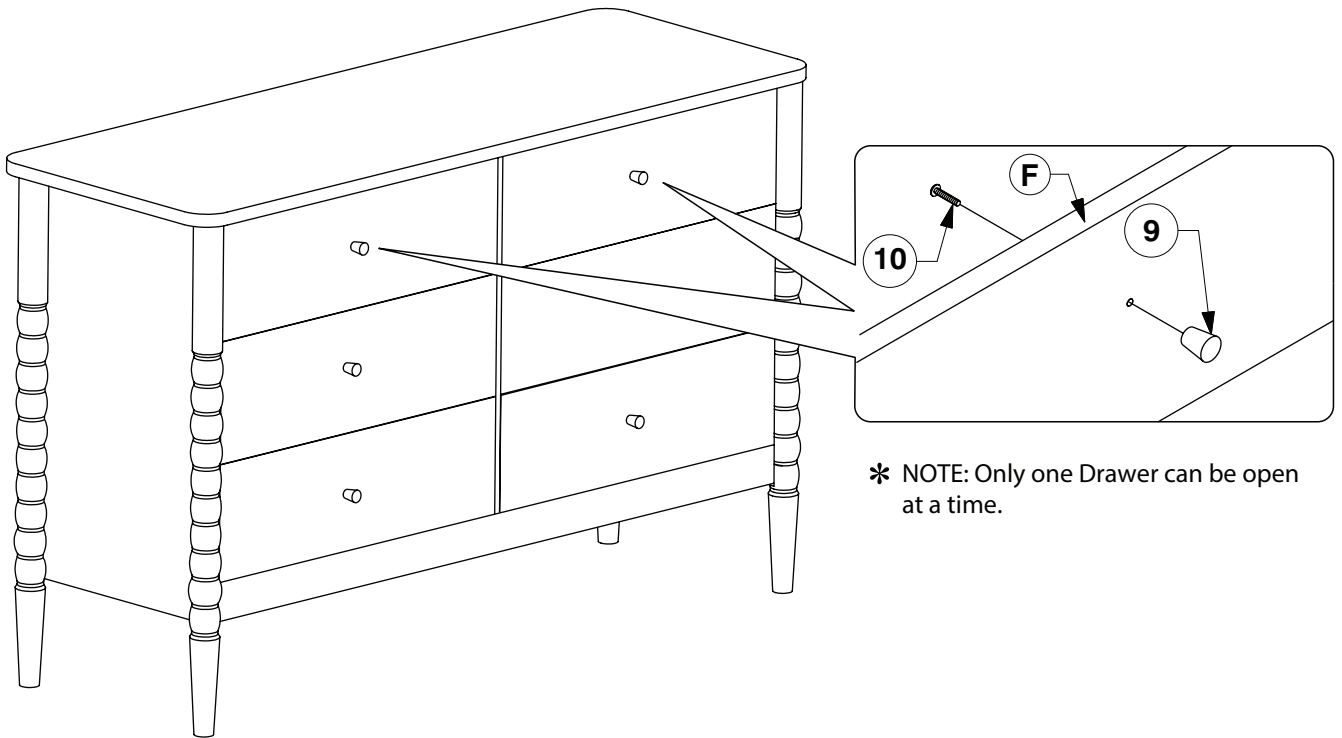
- * NOTE: Only one Drawer can be open
at a time.

9011 6 Drawer Dresser

Assembly Instructions

WI-0924

13 Finally, fit the Handle to the Drawer Face (F).



* NOTE: Only one Drawer can be open at a time.

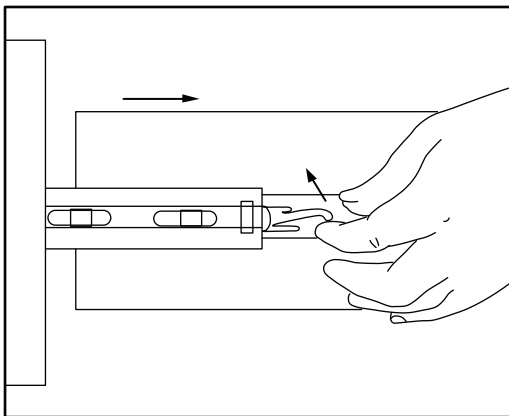
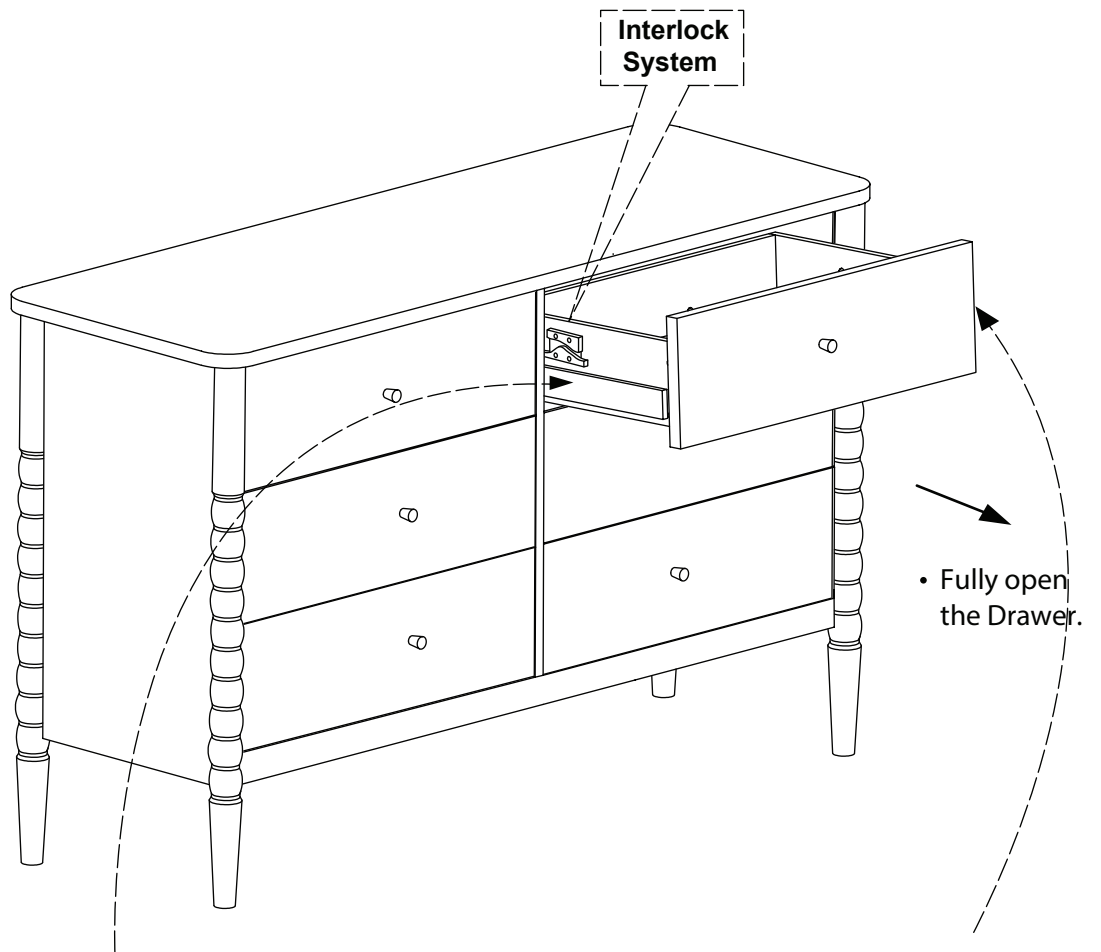
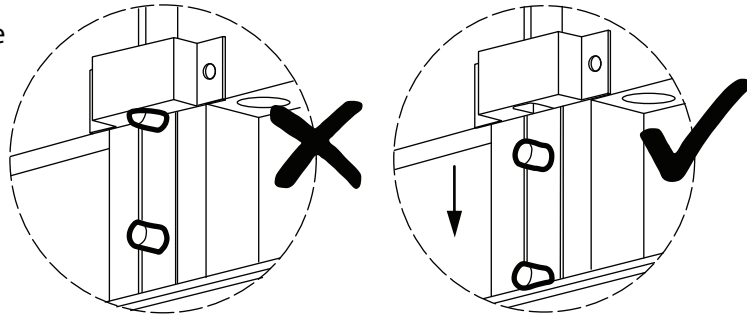
9011 6 Drawer Dresser

Assembly Instructions

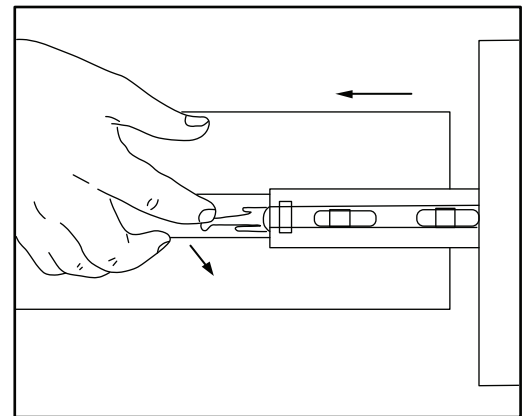
WI-0924

14 Remove the Drawers.

- After removing the top drawer, push the interlock bar **down**. Then remove the lower drawers.



- Lift the **LEFT** side clip **up**.

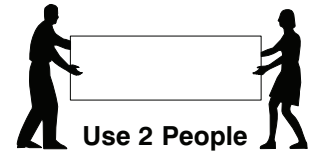
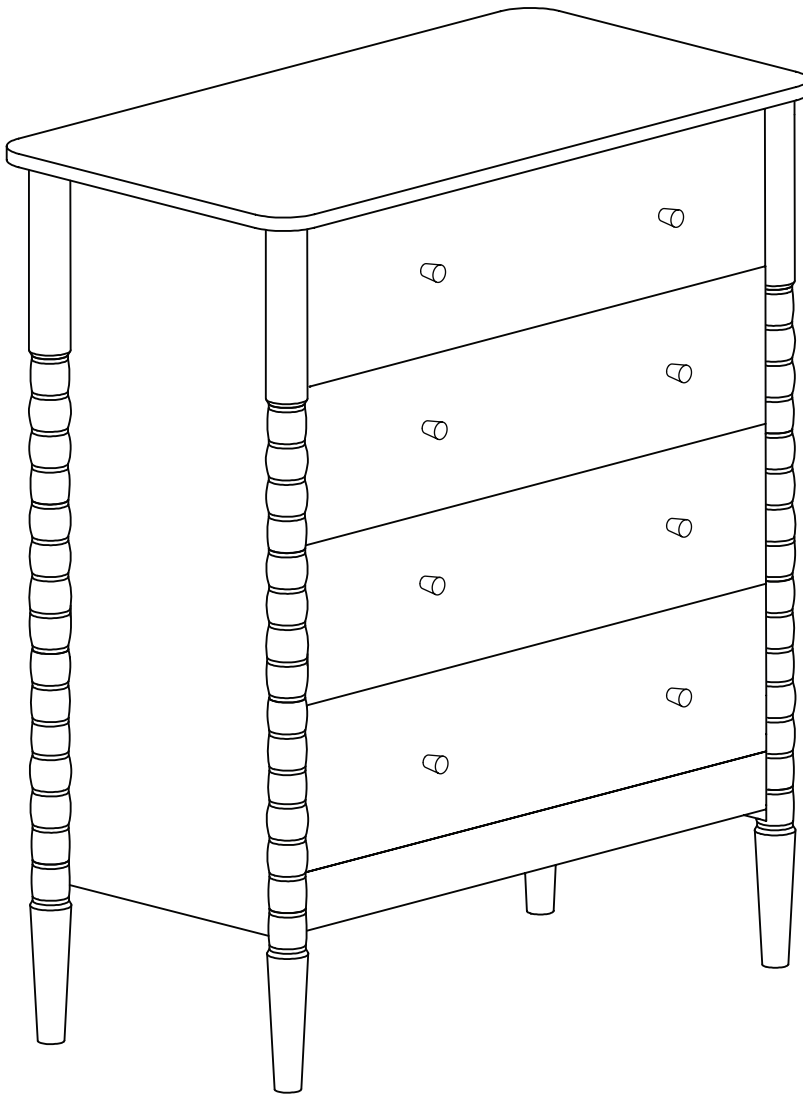


- Push the **RIGHT** side clip **down**.

9011 4 Drawer Chest

Assembly Instructions

WI-0724

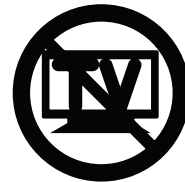


Note: Do not assemble using power tools. This can cause the bolts to be overtightened

WARNING



Anti Tipping Kit
Anti Tipping Kit x 1



Children have died from furniture tipover.

To reduce the risk of furniture tipover:

- ALWAYS install anti-tip device provided.
- NEVER put a TV on this product.
- NEVER allow children to stand, climb, or hang on any drawers, doors or shelves.
- NEVER open more than one drawer at a time.
- DO NOT defeat or remove the drawer interlock system; it is an important stability and safety system.
- Place heaviest items in the lowest drawer.

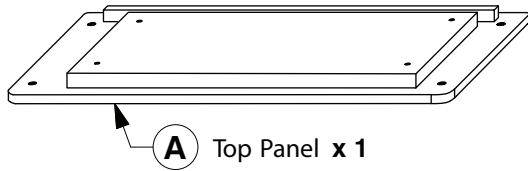
9011 4 Drawer Chest

Assembly Instructions

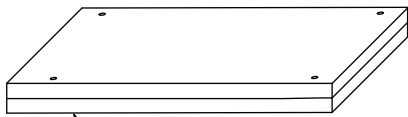
WI-0724

1 Parts List

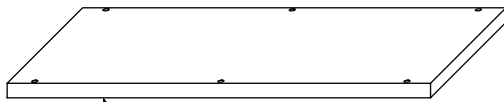
Parts in Box A:



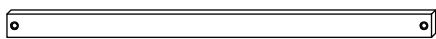
A Top Panel x 1



B Bottom Panel x 1



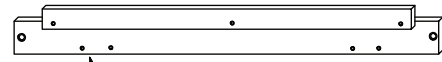
C Back Panel x 2



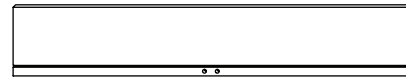
D Upper Support Bar x 2



E Bottom Front Support Bar x 1



F Bottom Rear Support Bar x 1



G Drawer Back x 4



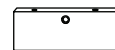
H Drawer Bottom x 4



J Drawer Face x 4

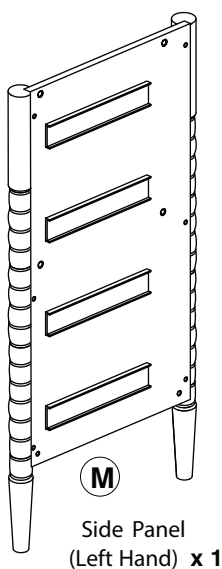


K Drawer Rail x 4

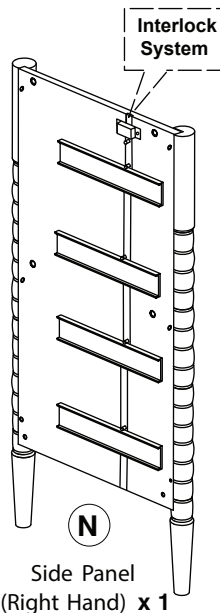


L Bottom Support x 4

Parts in Box B:

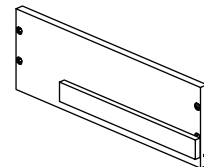


M Side Panel (Left Hand) x 1

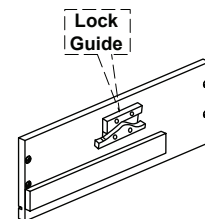


N Side Panel (Right Hand) x 1

O Drawer Side (Left Hand) x 4



P Drawer Side (Right Hand) x 4

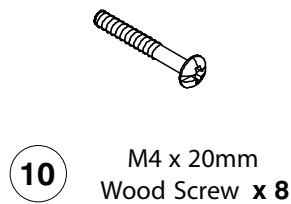
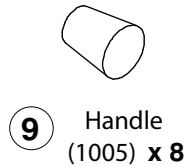
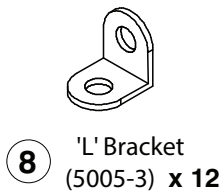
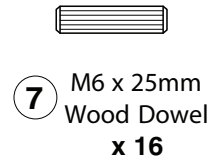
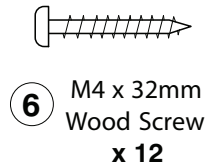
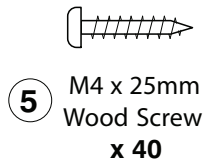
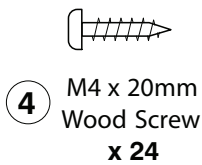
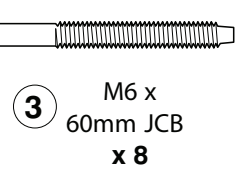
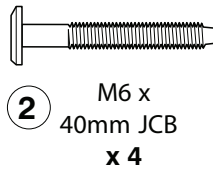
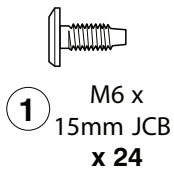


9011 4 Drawer Chest

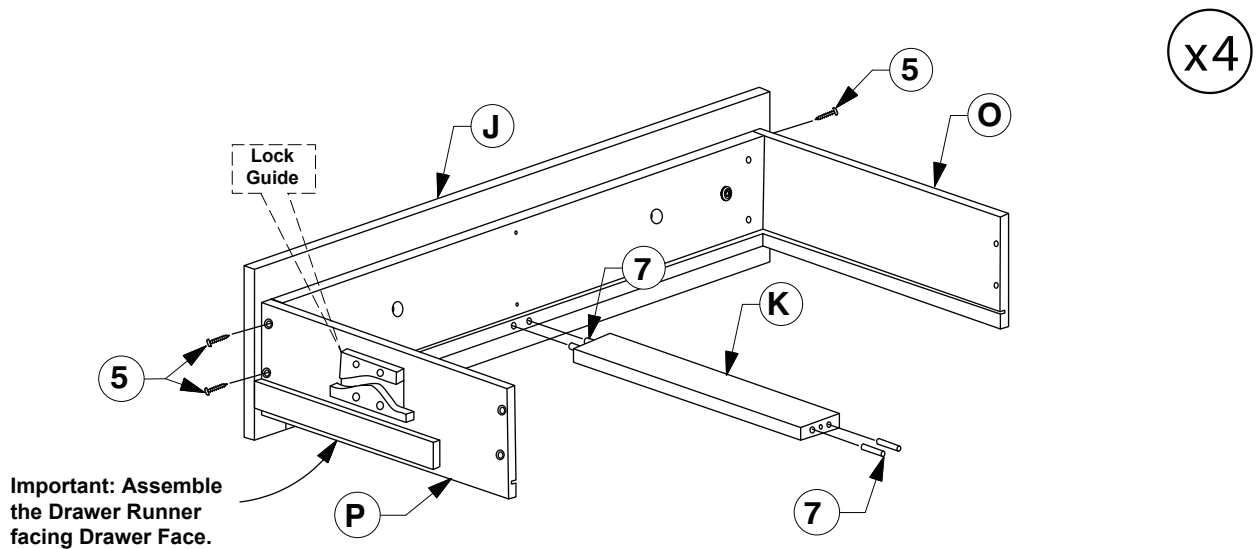
Assembly Instructions

WI-0924

2 Hardware List



3 Assemble the Drawer Sides (O & P) & Drawer Rail (K) to the Drawer Face (J).



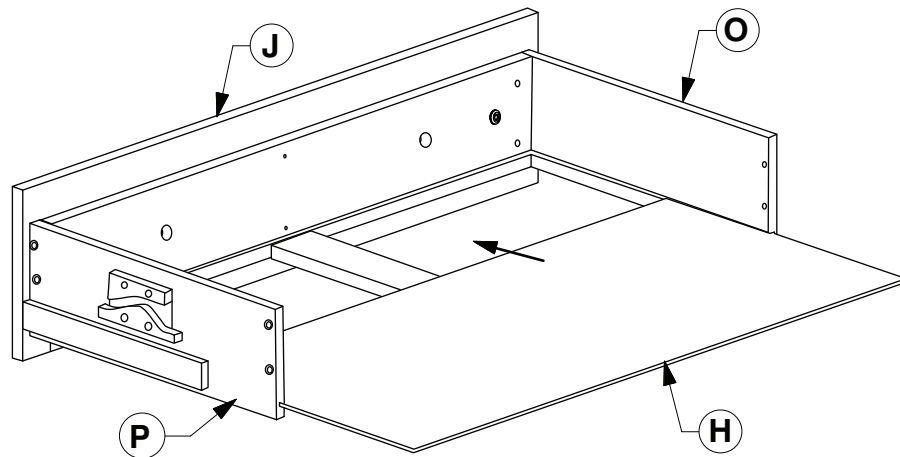
9011 4 Drawer Chest

Assembly Instructions

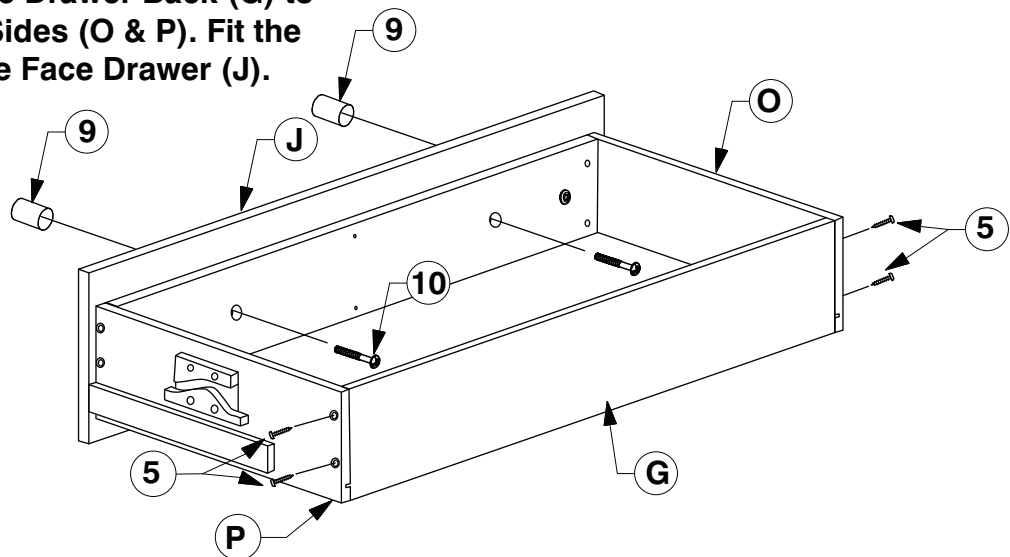
WI-0924

- 4** Slide the Drawer Bottom (H) into the groove on the Drawer Sides (O & P).

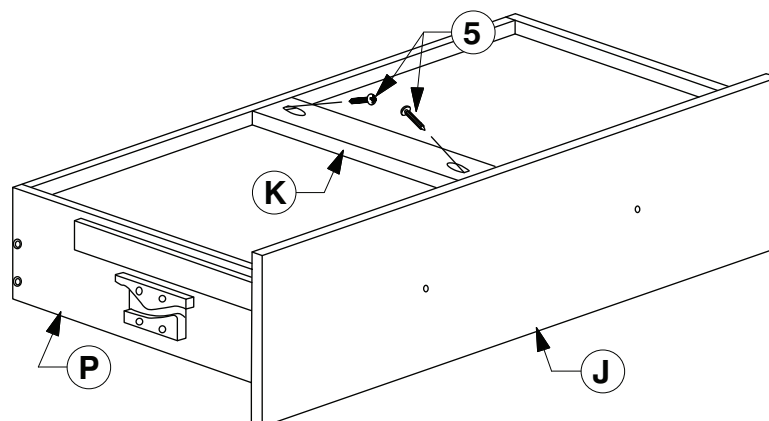
x4



- 5** Assemble the Drawer Back (G) to the Drawer Sides (O & P). Fit the Handle to the Face Drawer (J).



- 6** Turn the Drawer over to fit angled 25mm Wood screws (5) to the Drawer Rail (K).

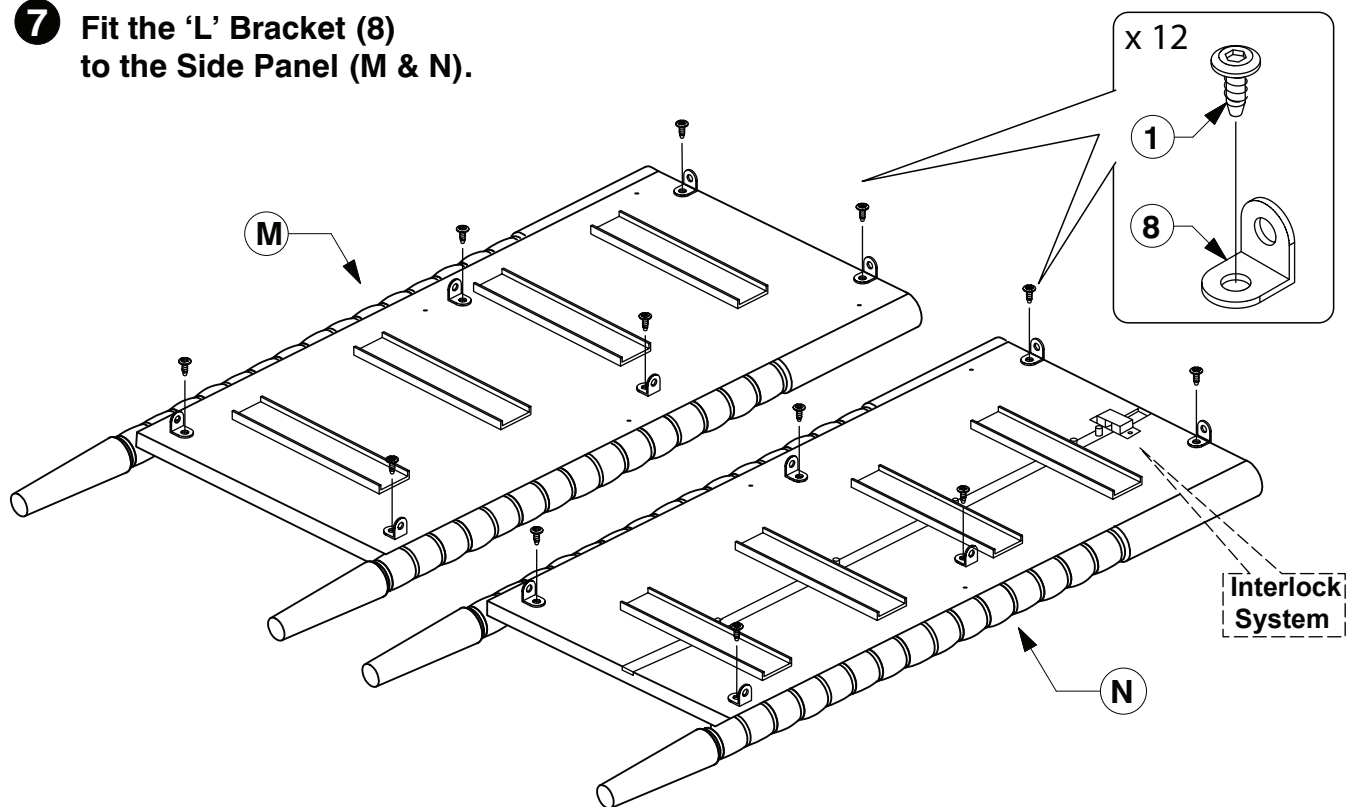


9011 4 Drawer Chest

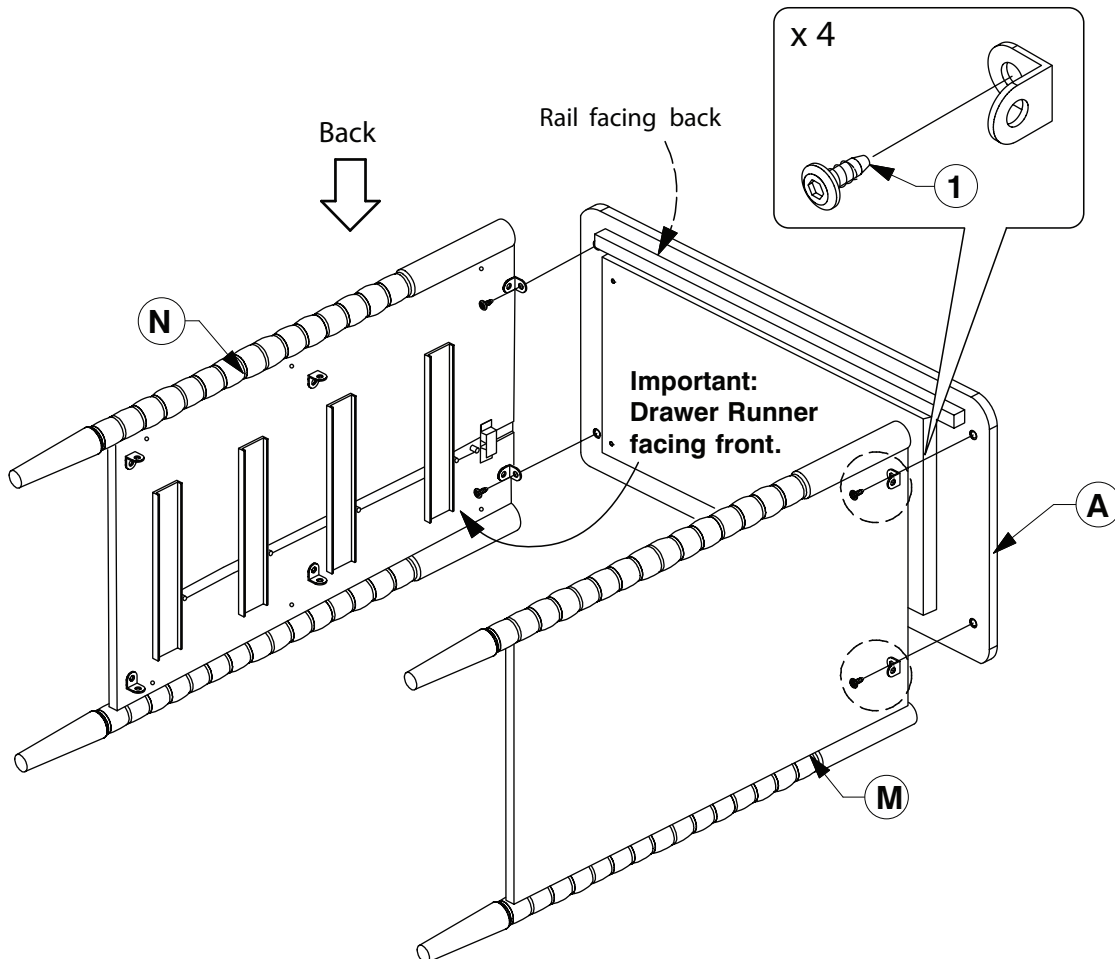
Assembly Instructions

WI-0724

- 7** Fit the 'L' Bracket (8) to the Side Panel (M & N).



- 8** Assemble the Top Panel (A) to the Side Panel (M & N).

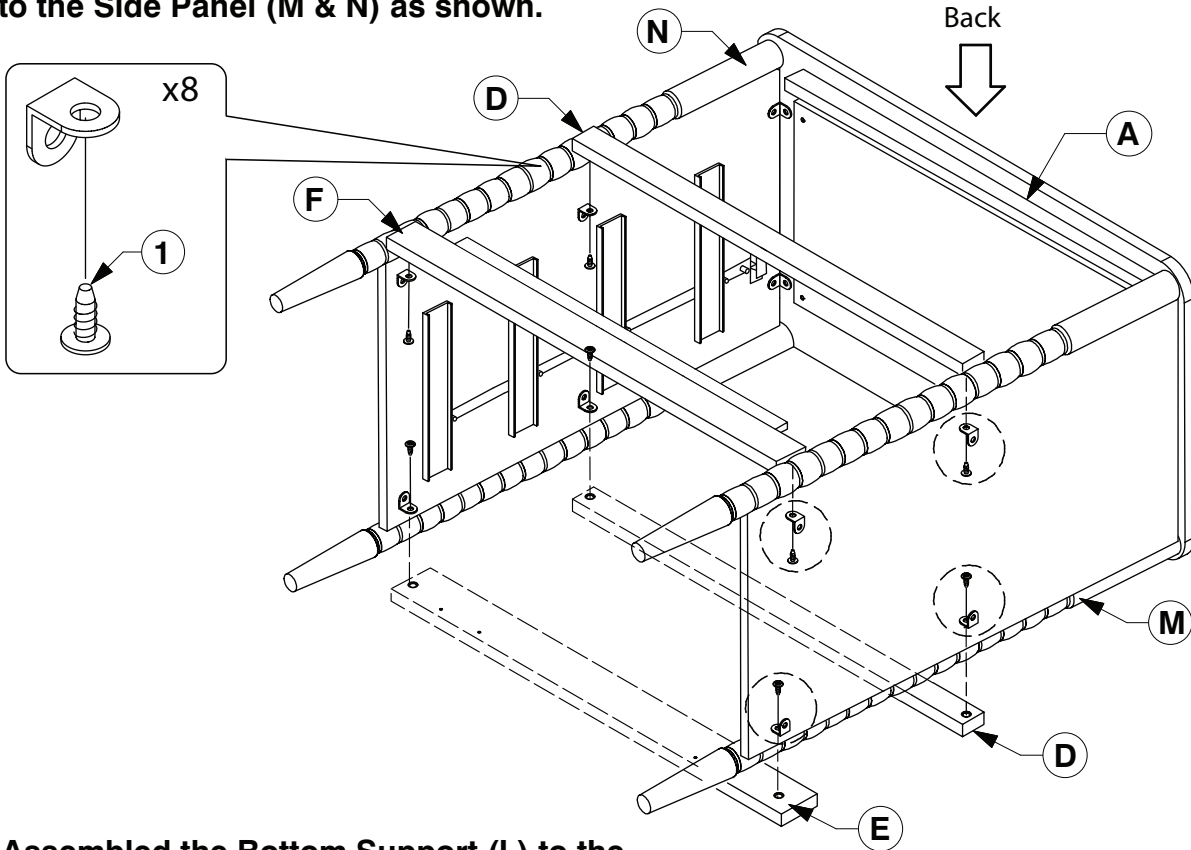


9011 4 Drawer Chest

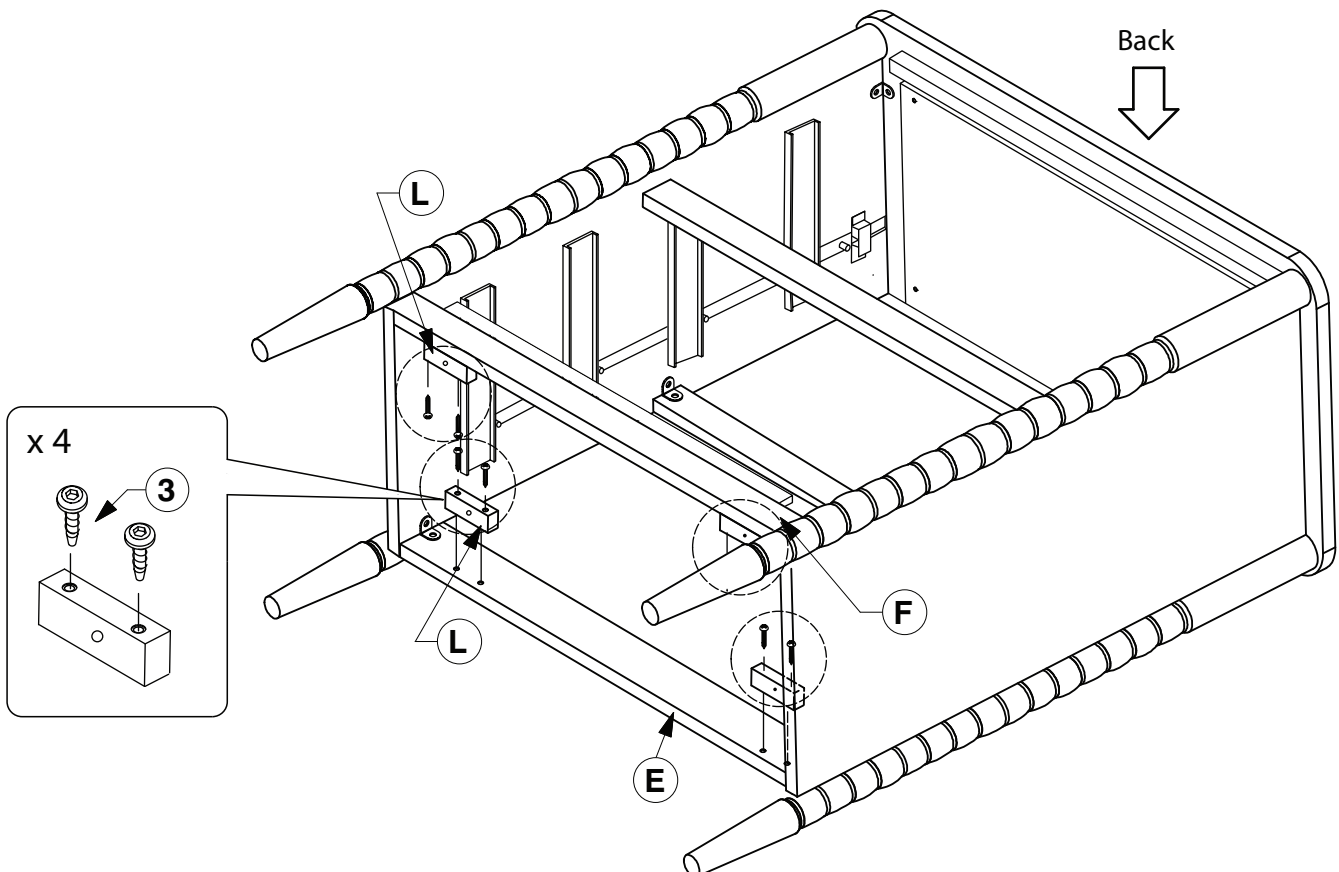
Assembly Instructions

WI-0724

- 9** Fit the Support Bar Upper & Bottom (D & E & F) to the Side Panel (M & N) as shown.



- 10** Assembled the Bottom Support (L) to the Bottom Front & Rear Support Bar (E & F) as shown.

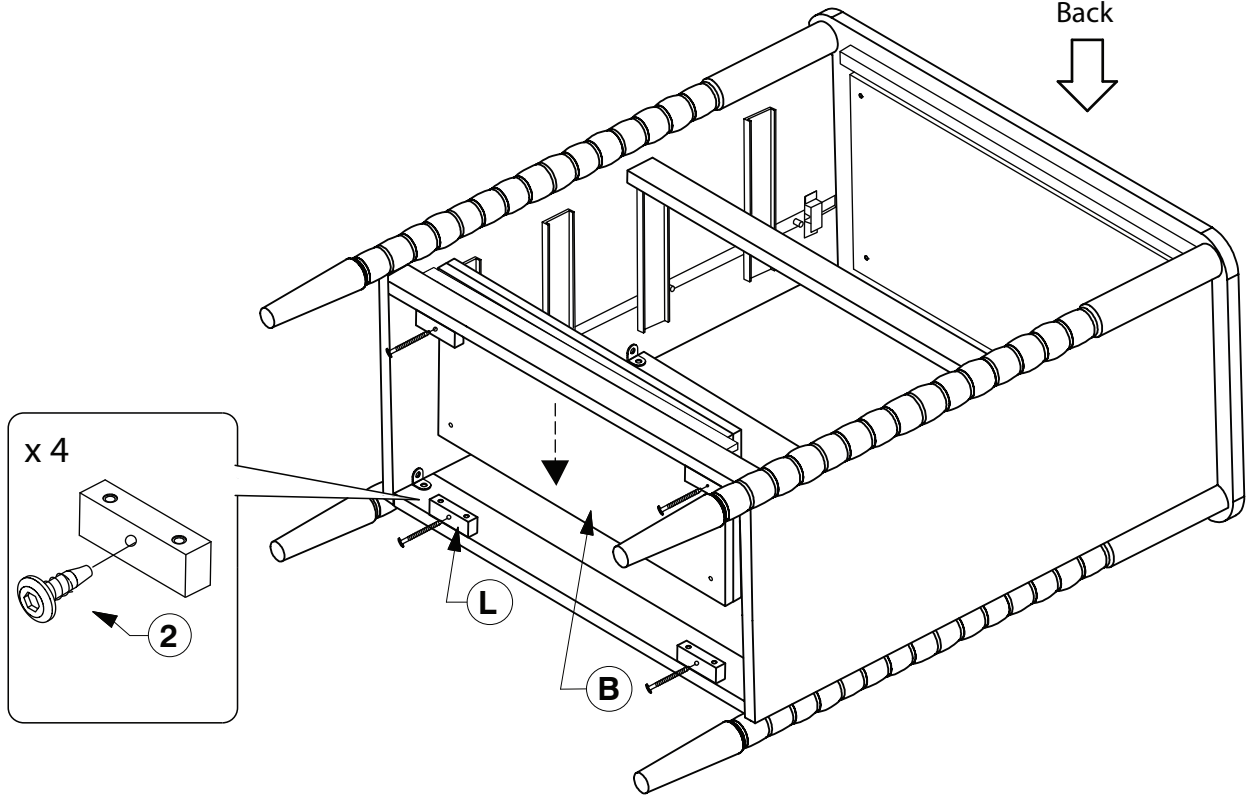


9011 4 Drawer Chest

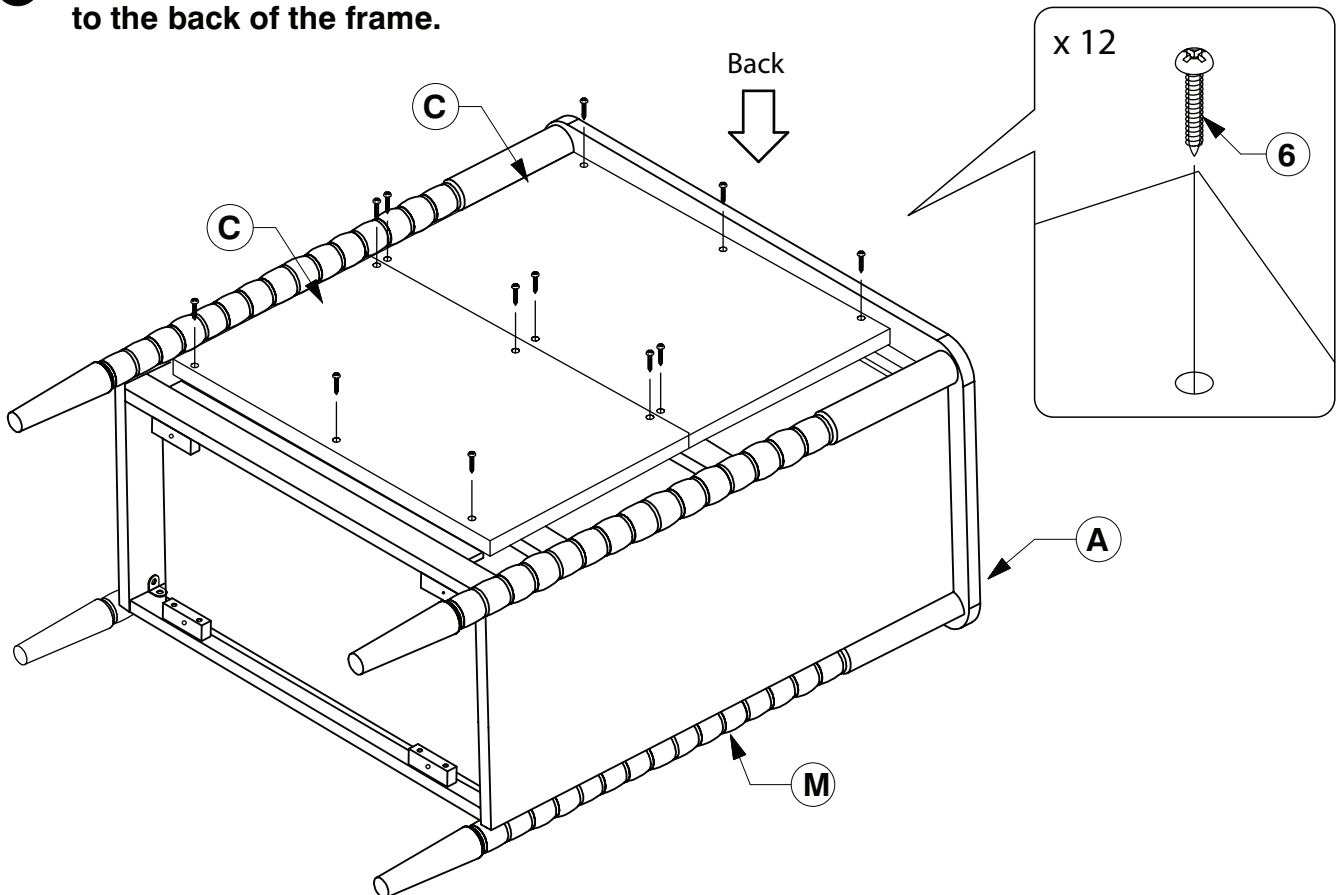
Assembly Instructions

WI-0724

- 11** Bolt the Bottom Support (L) to the Bottom Panel (B) as shown.



- 12** Attached the Back Panel (C) to the back of the frame.



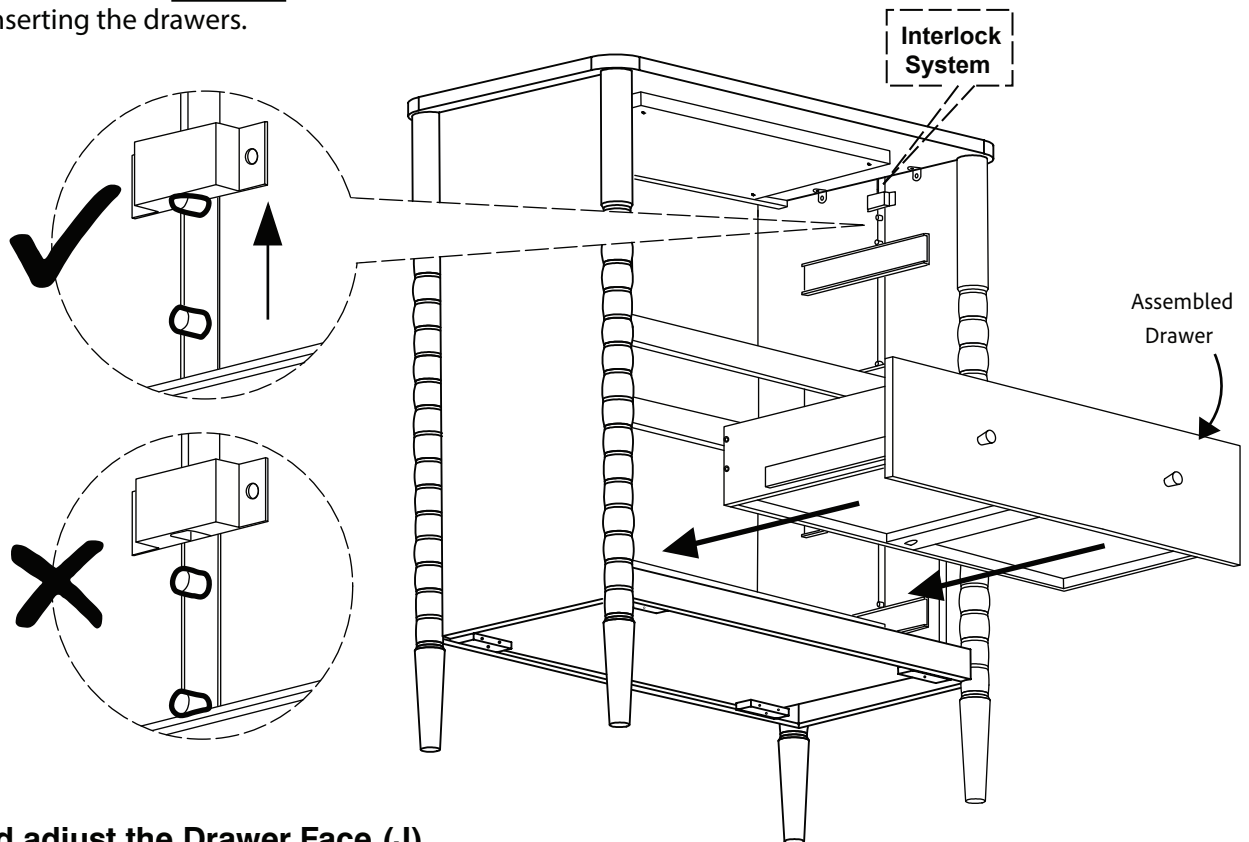
9011 4 Drawer Chest

Assembly Instructions

WI-0924

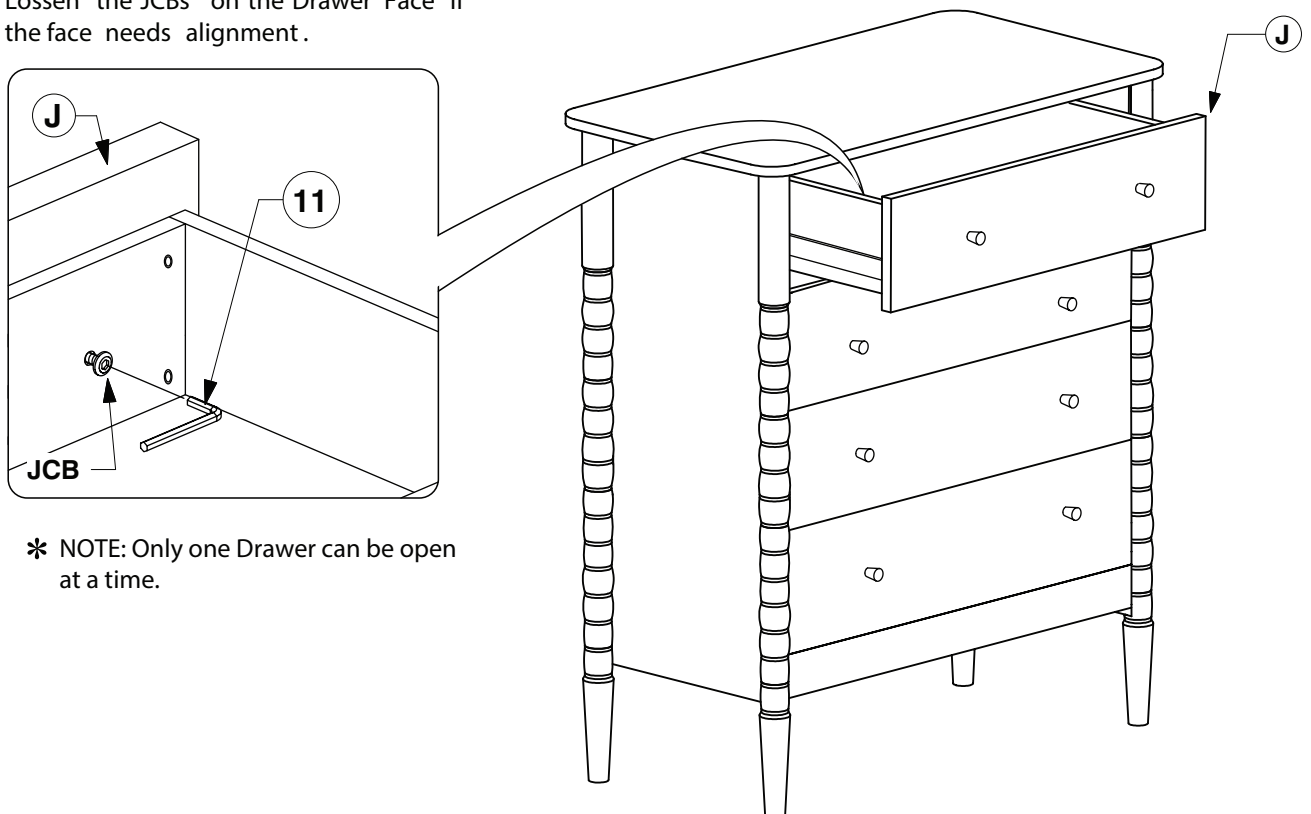
13 Install the Drawer.

- Push the Interlock bar **upwards** before inserting the drawers.



14 Fit and adjust the Drawer Face (J).

- * NOTE: Before fitting the Wood Screws .
Losen the JCBs on the Drawer Face if the face needs alignment.



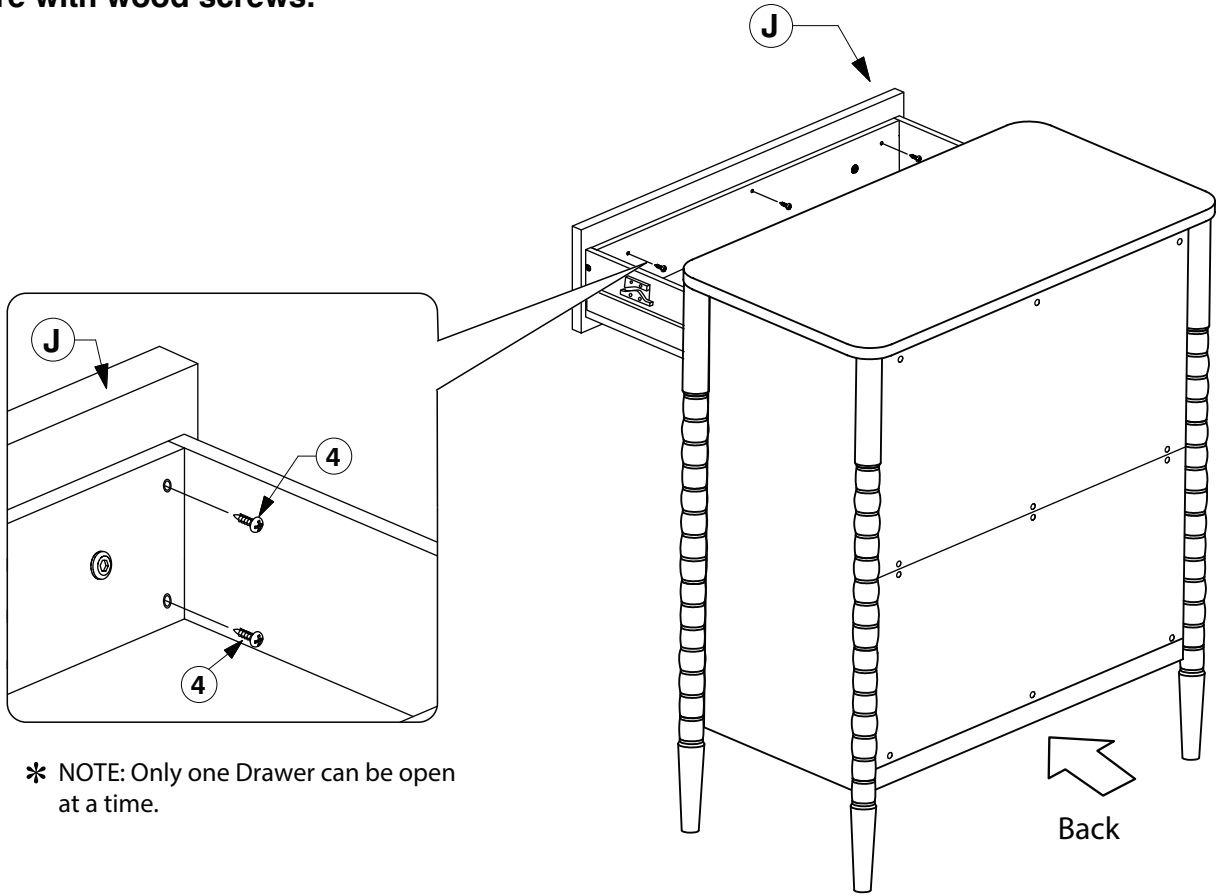
- * NOTE: Only one Drawer can be open at a time.

9011 4 Drawer Chest

Assembly Instructions

WI-0924

- 15** After the Drawer Faces (J) are aligned secure with wood screws.



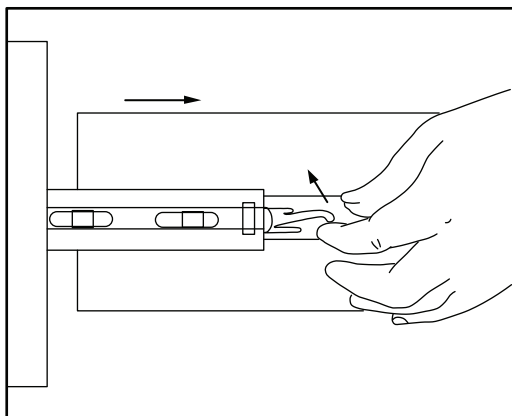
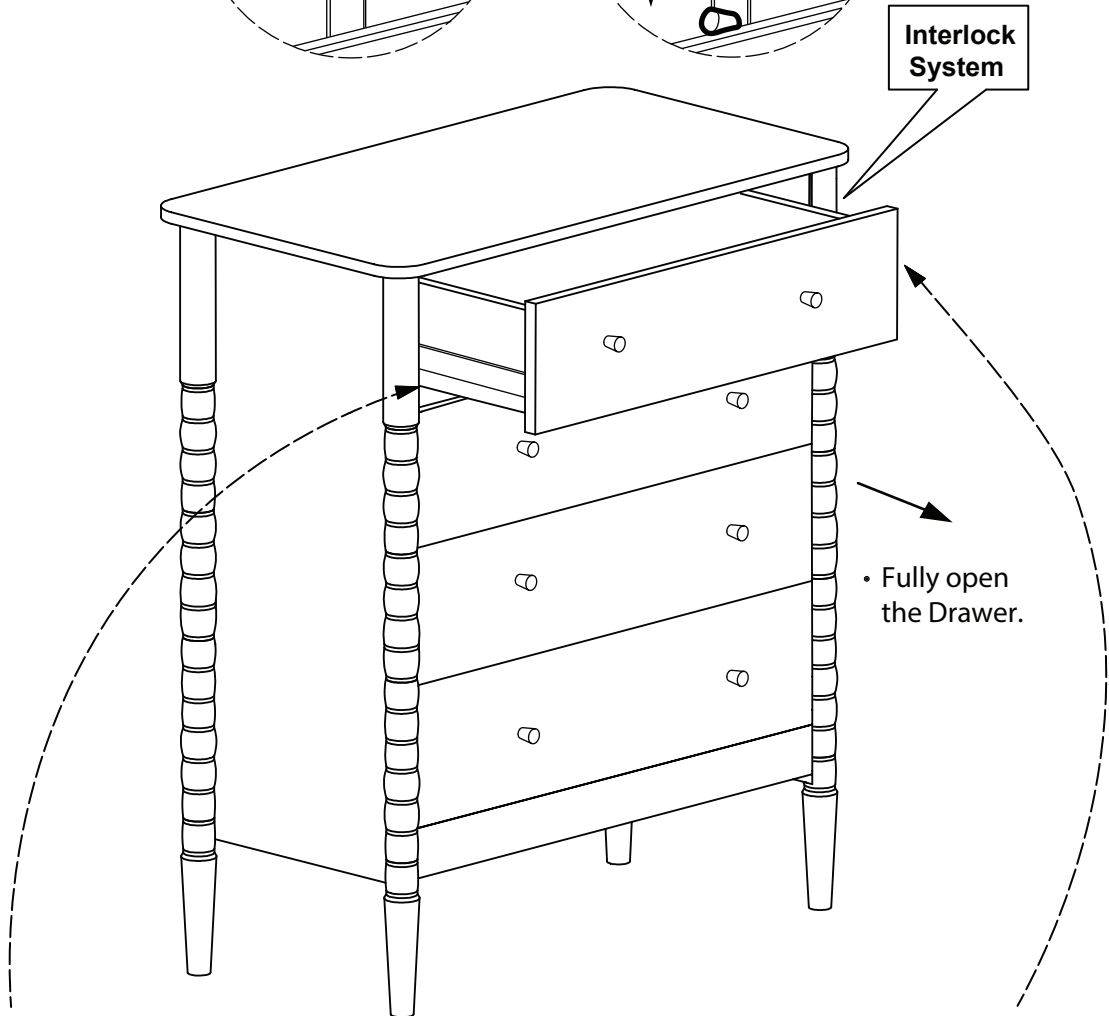
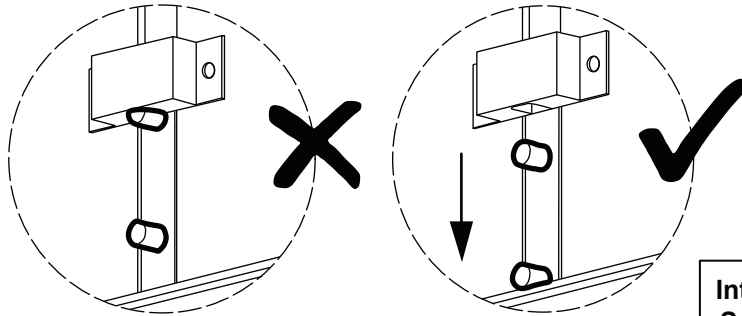
9011 4 Drawer Chest

Assembly Instructions

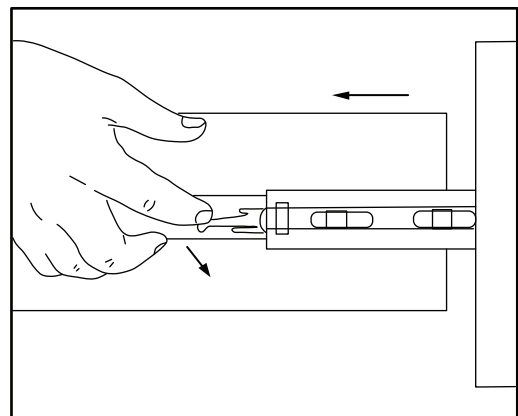
WI-0924

16 Remove the Drawers.

- After removing the top drawer, push the interlock bar **down**. Then remove the lower drawers.



- Lift the **LEFT** side clip up.



- Push the **RIGHT** side clip down.