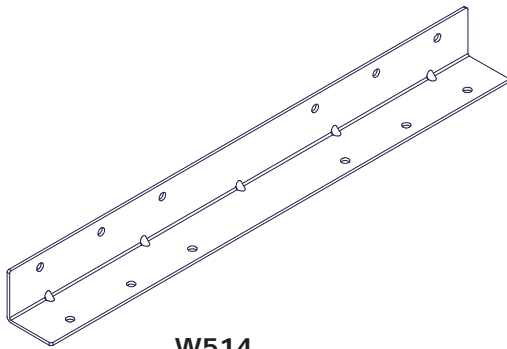
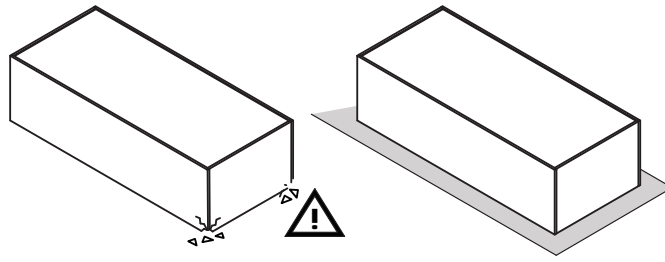
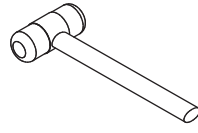
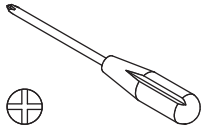
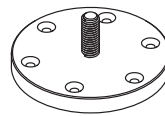


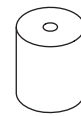
2,5h



W514
x1



W406
x2



W432
x2



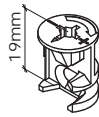
H54
x2



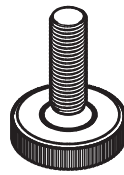
T99
x2



T28
x12



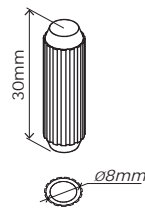
T97
x10



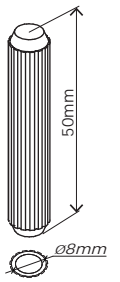
P14
x6



H118
x6



H1
x16



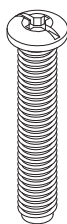
H32
x4



R40
x12



V20
x12



V156
x2



V10
x12



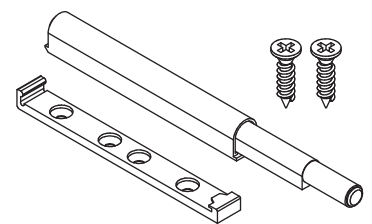
G108
x10



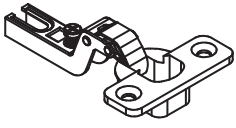
G107
x4



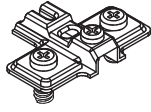
V57
x8



H240
x1



C39
x2

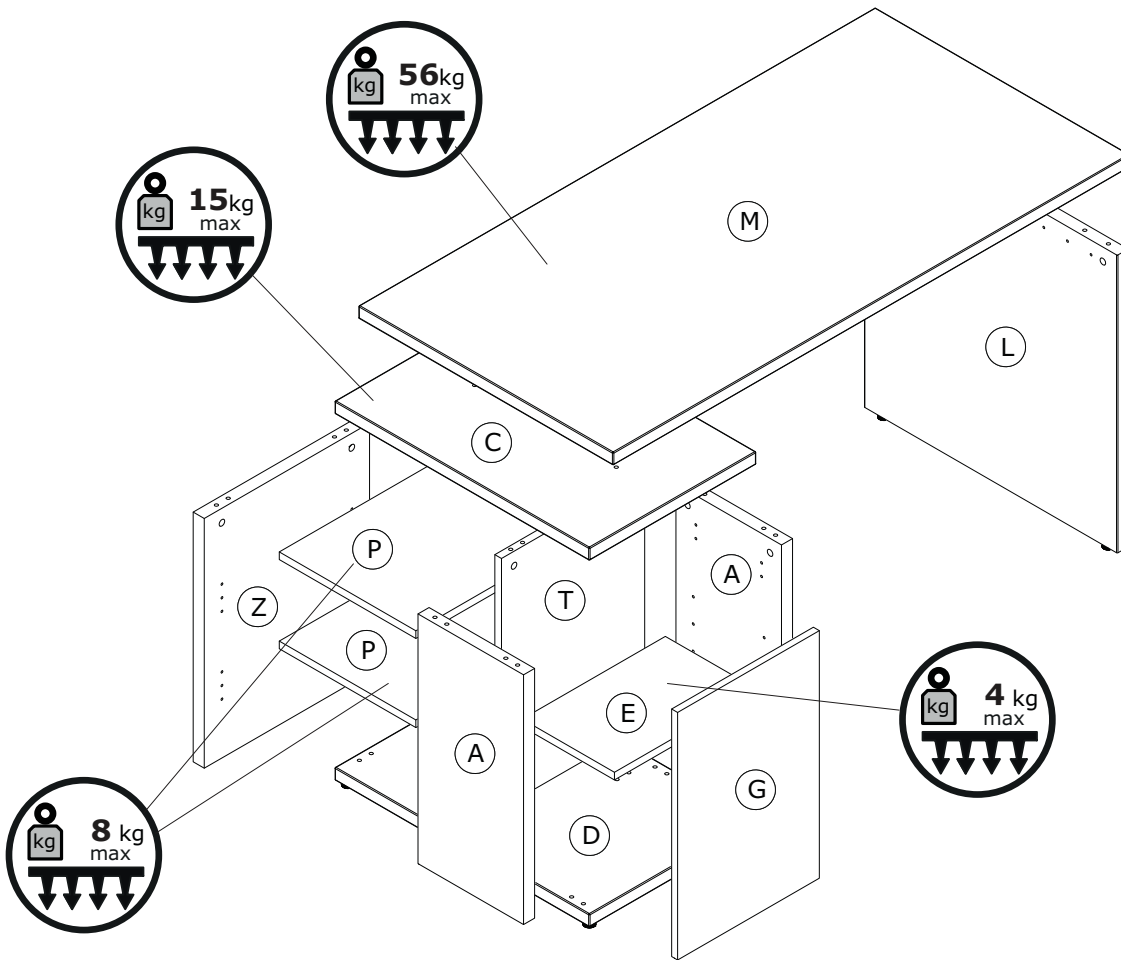


B9
x2

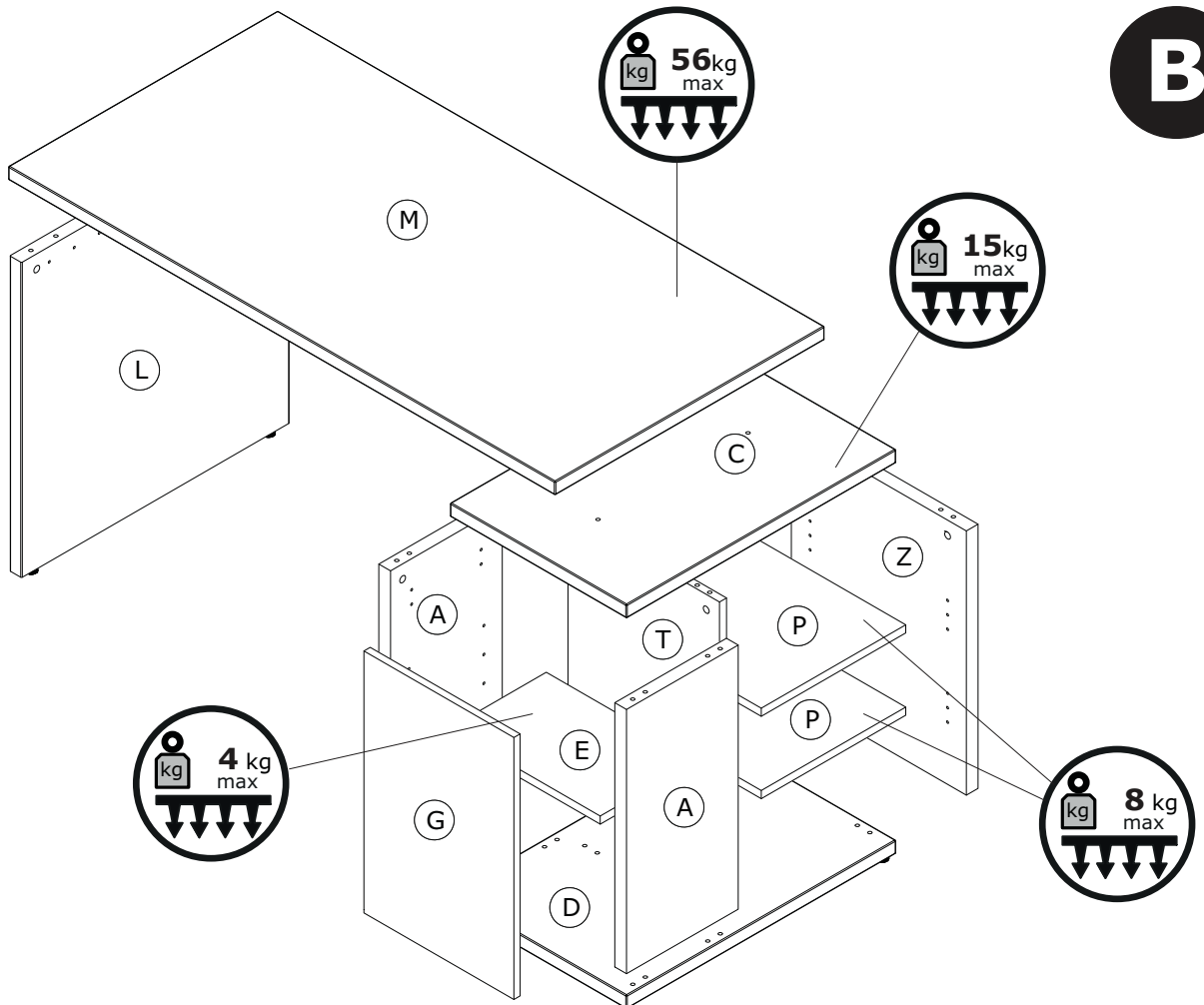


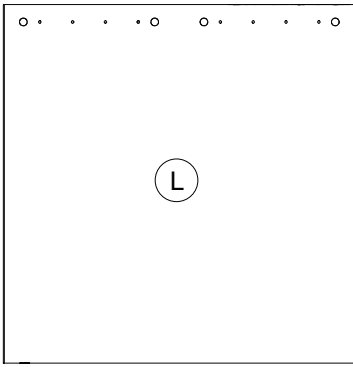
V5
x4

A

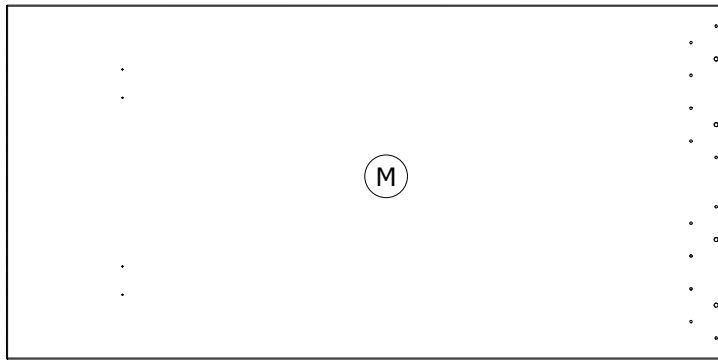


B

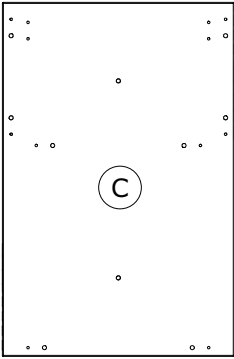




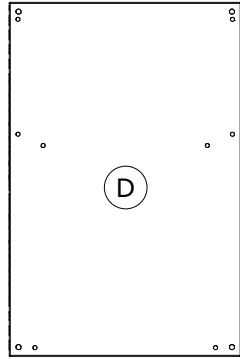
699x686x30mm



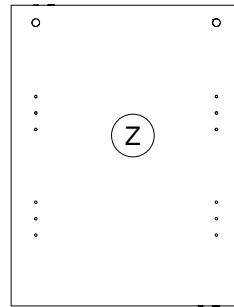
1400x690x30mm



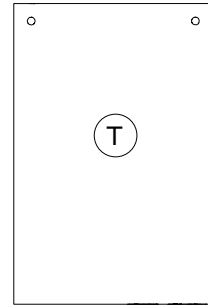
690x452x30mm



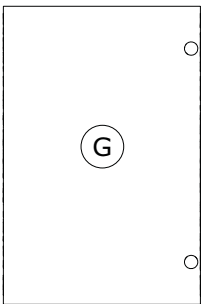
690x452x30mm



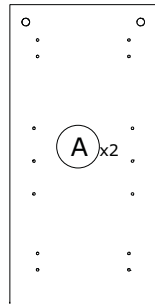
586x448x30mm



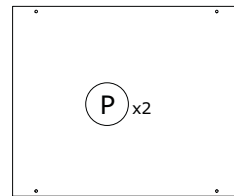
586x388x18mm



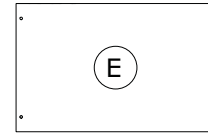
581x384x16mm



586x286x30mm

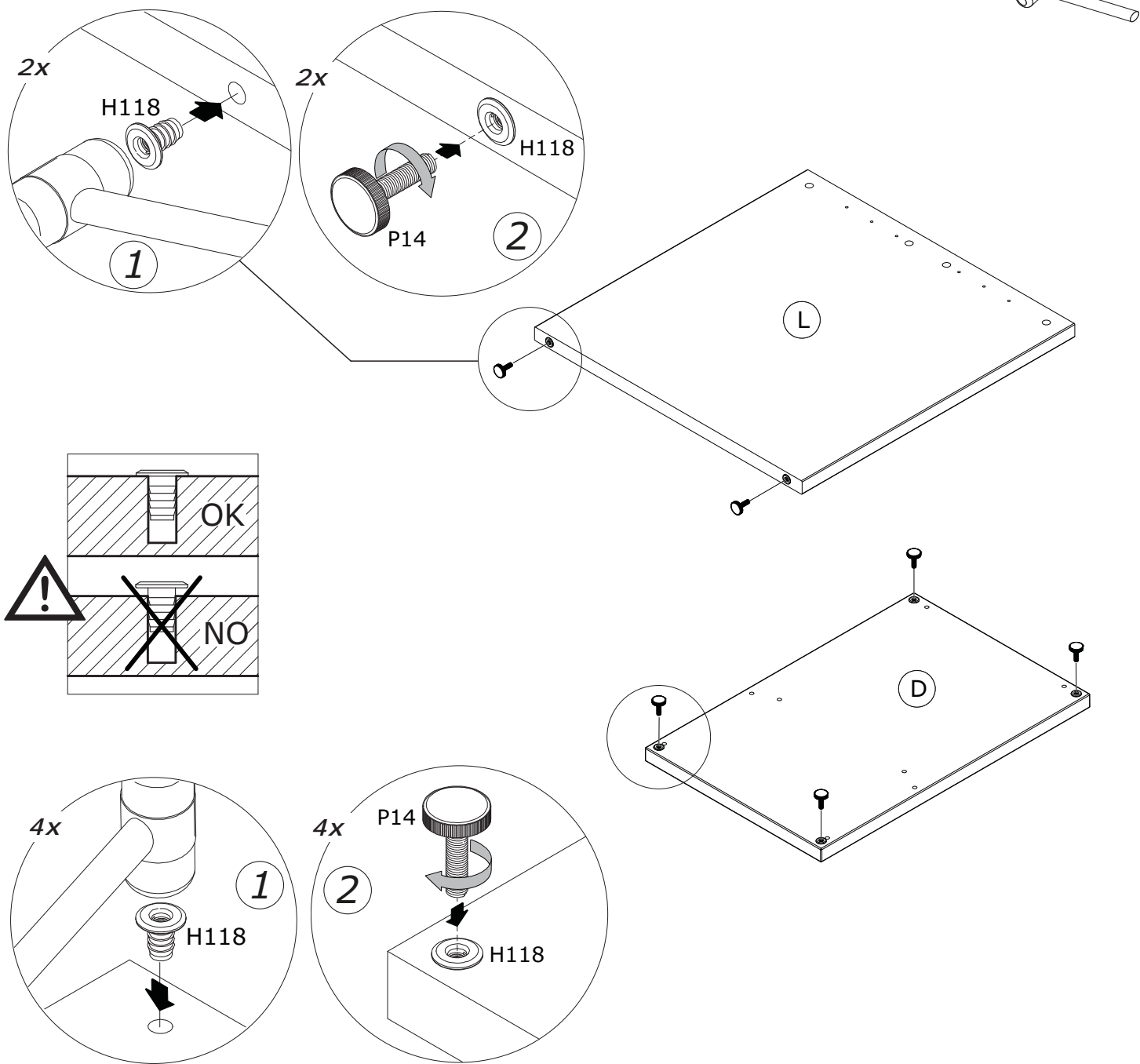


370x444x18mm

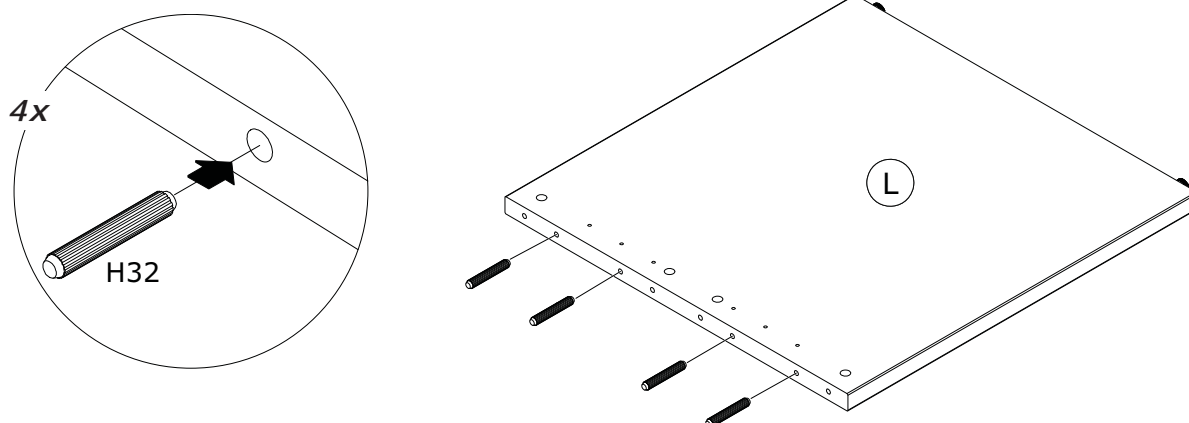


248x388x18mm

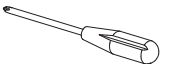
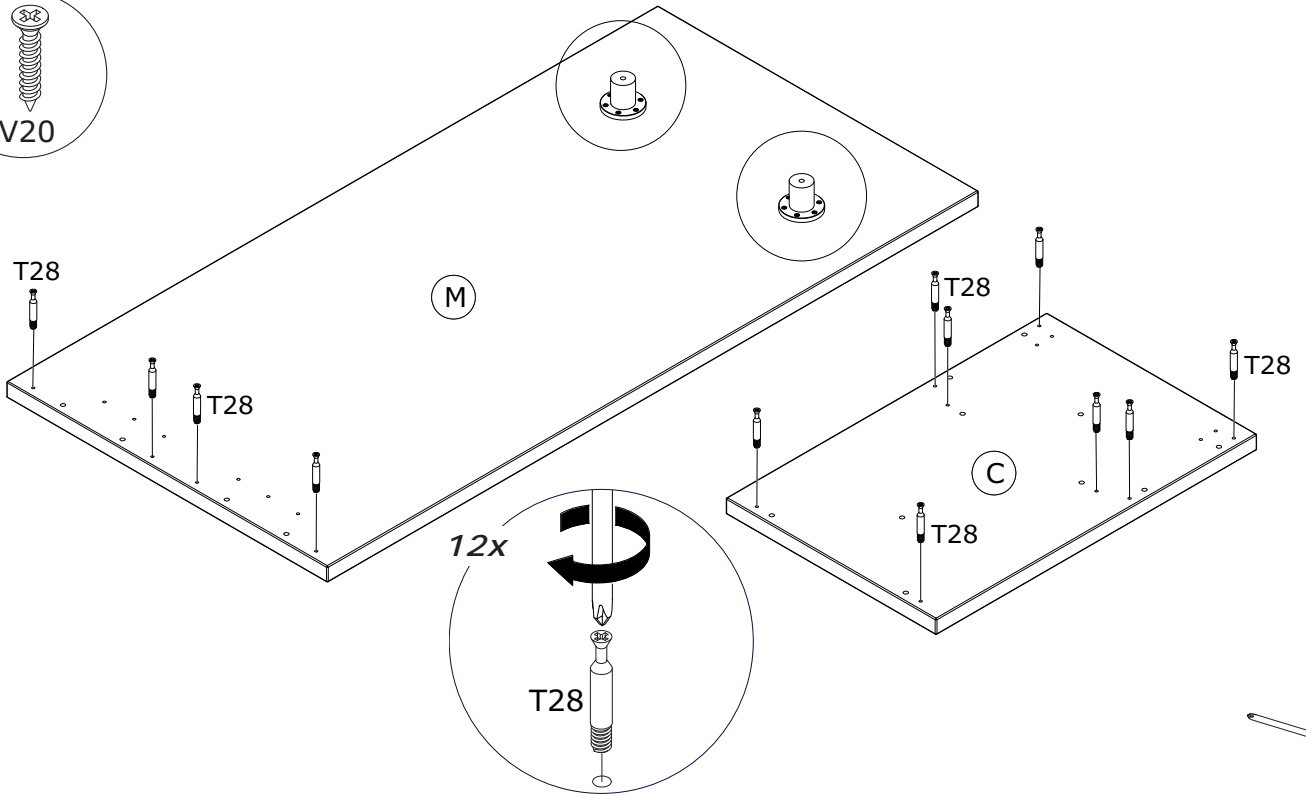
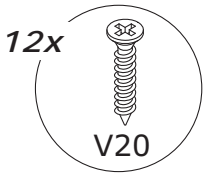
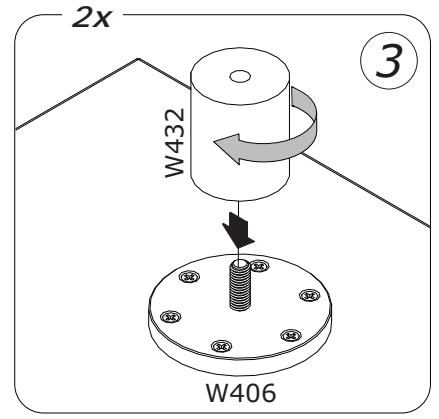
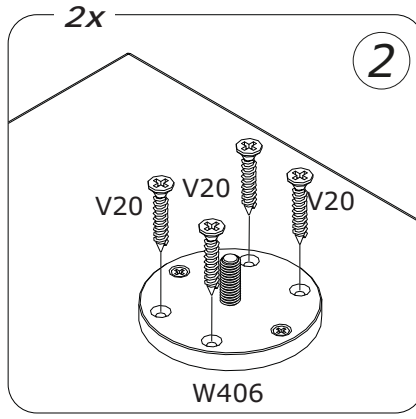
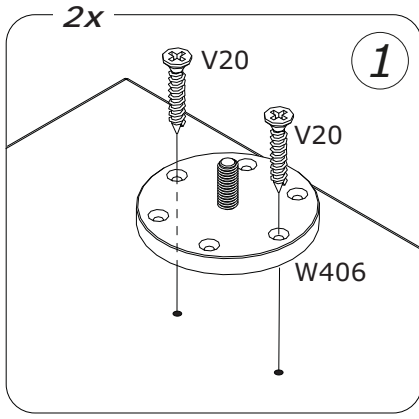
1



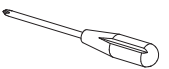
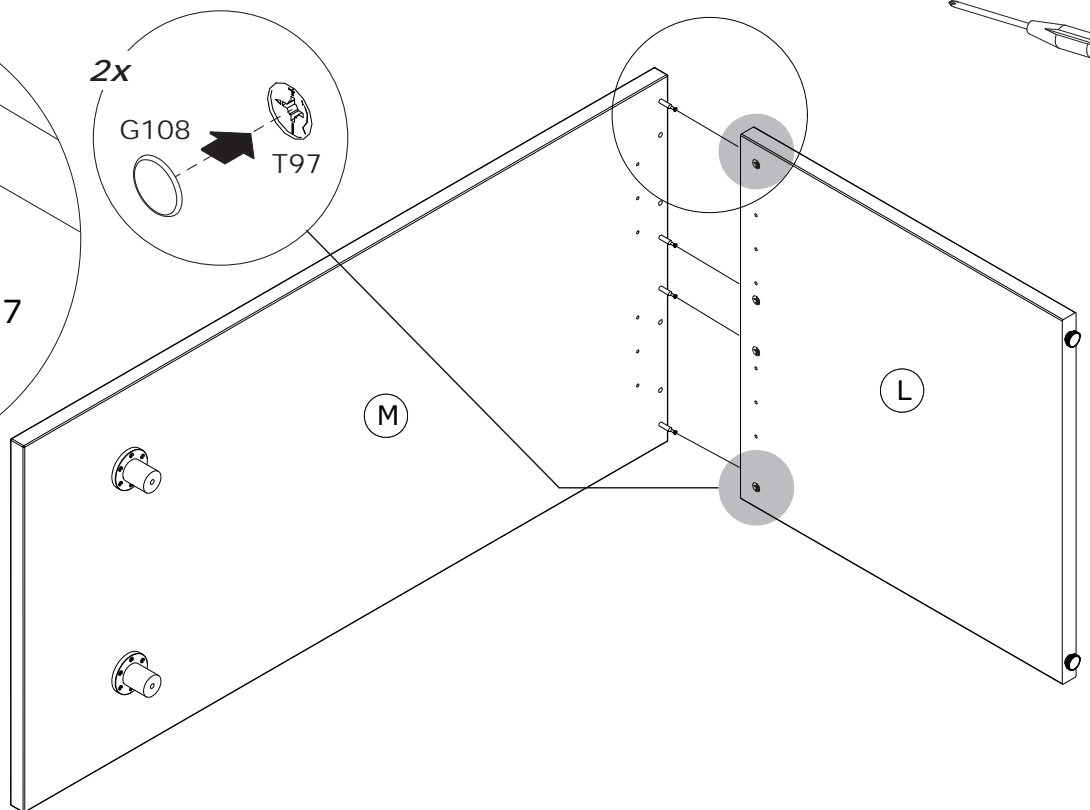
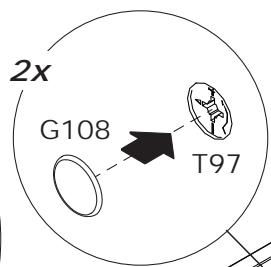
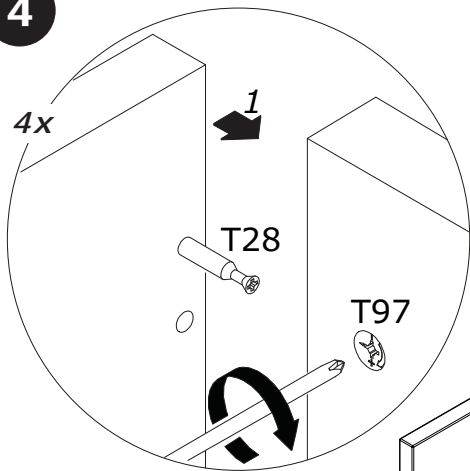
2



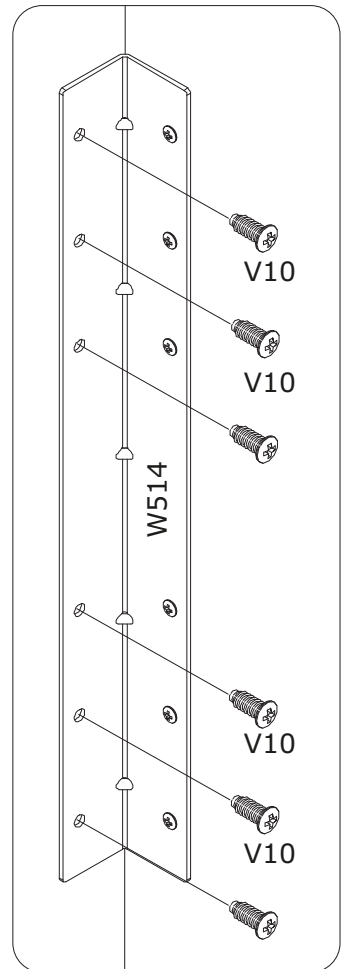
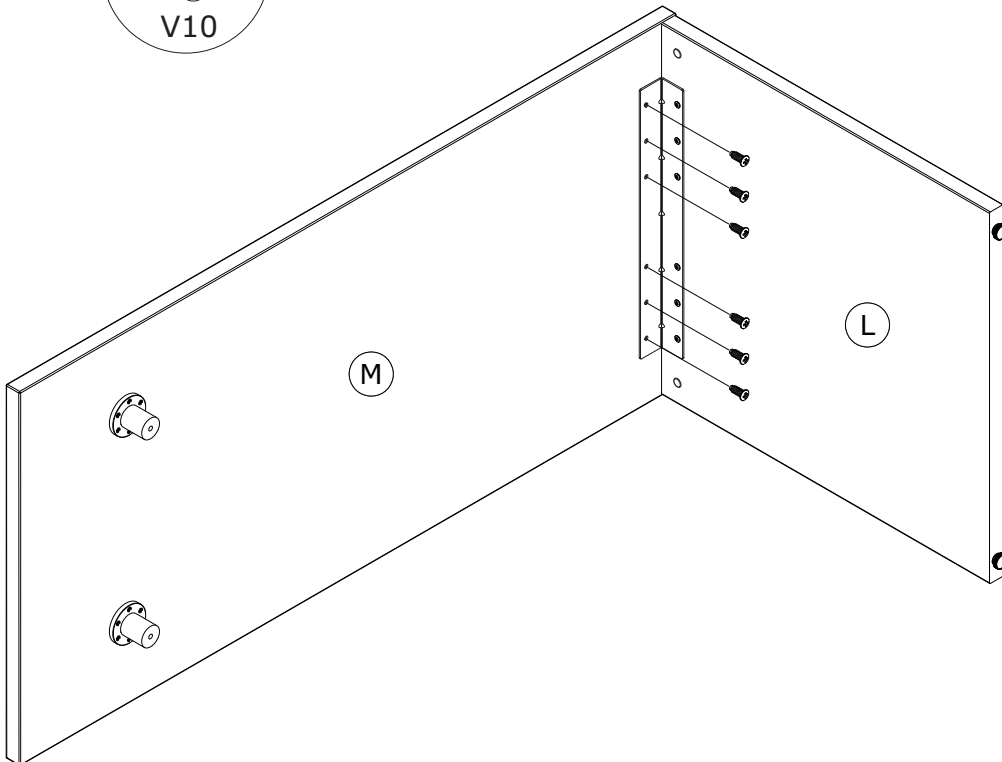
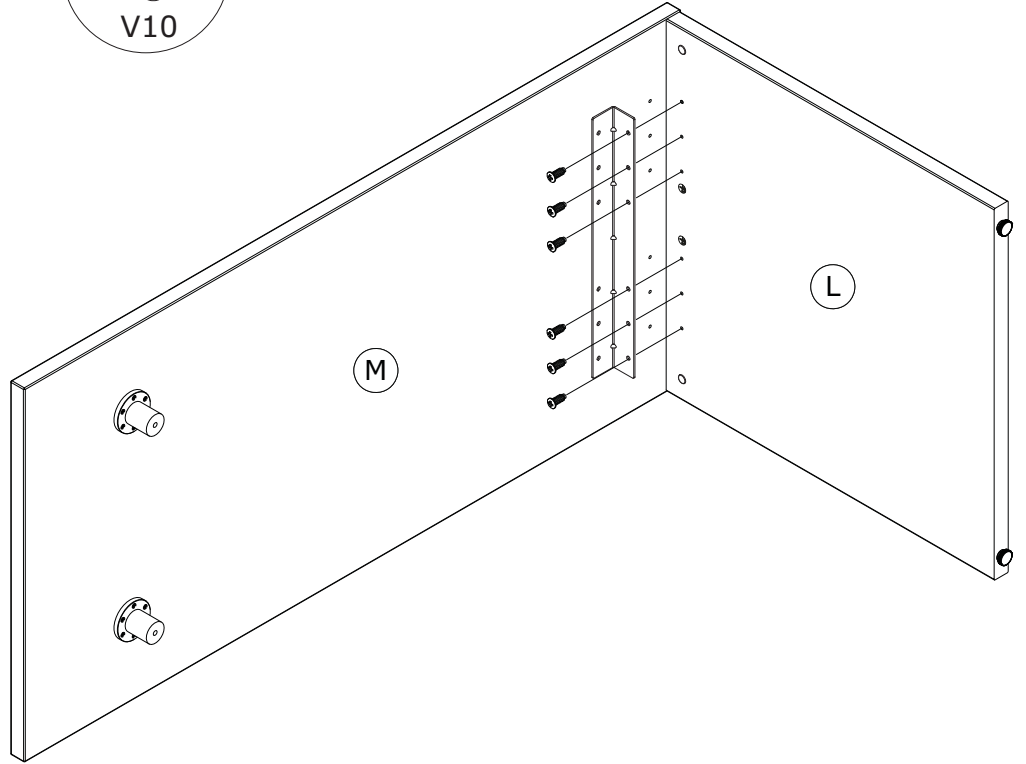
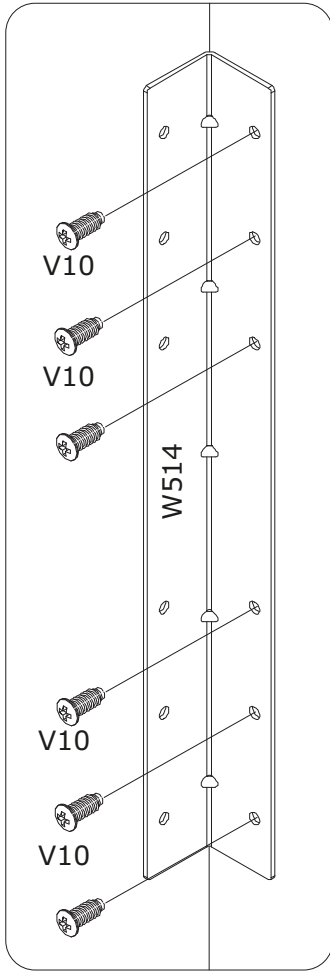
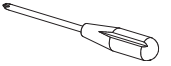
3



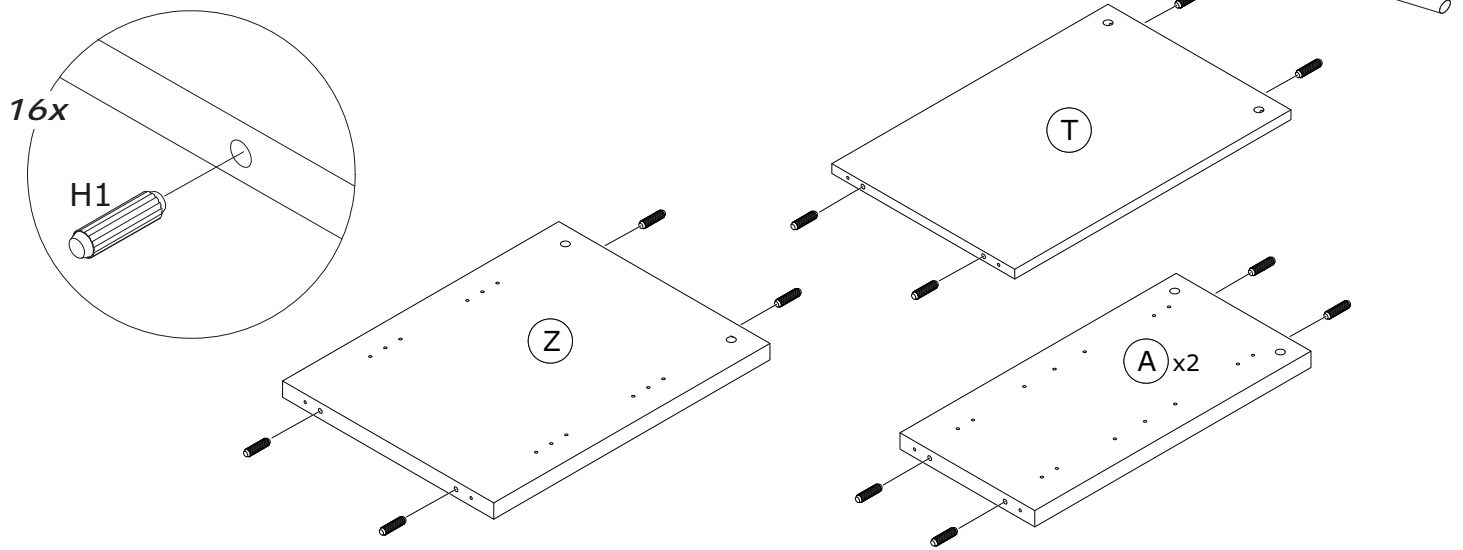
4



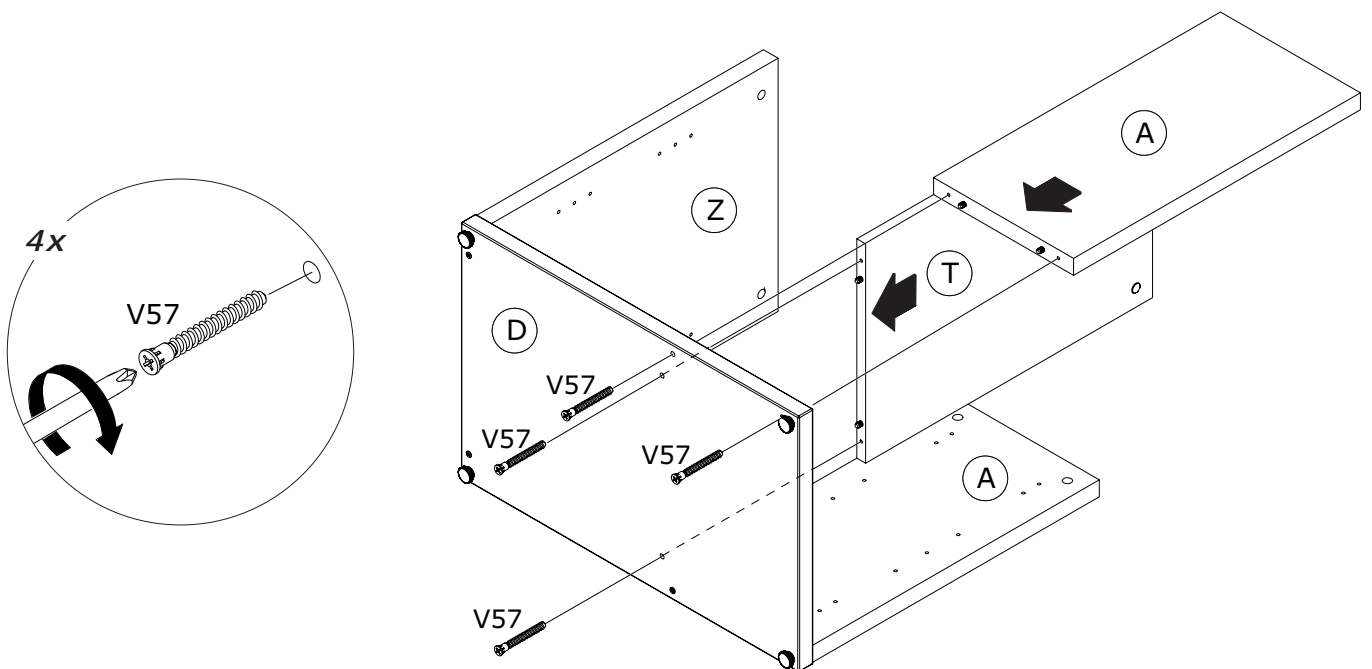
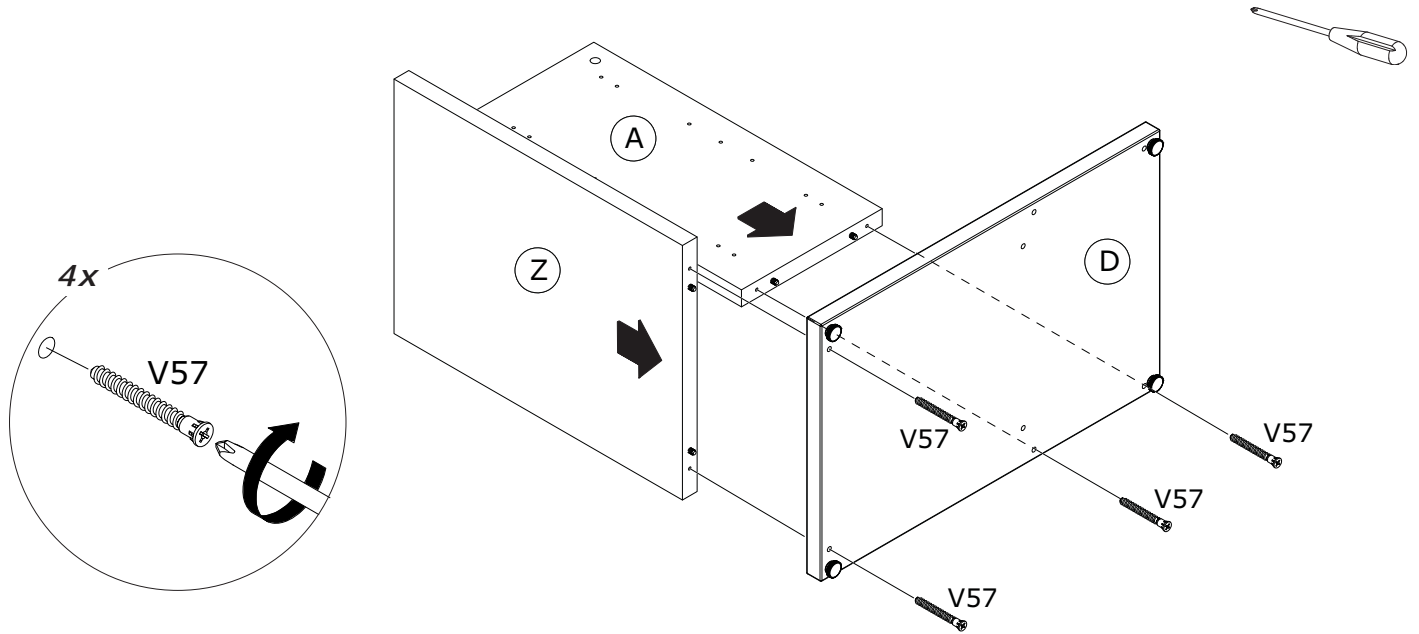
5



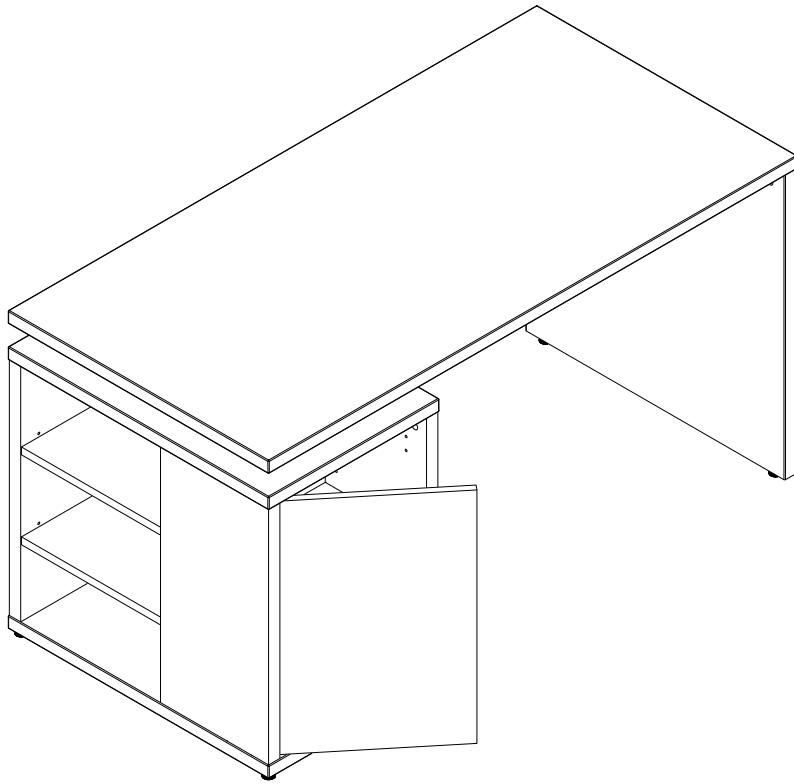
6



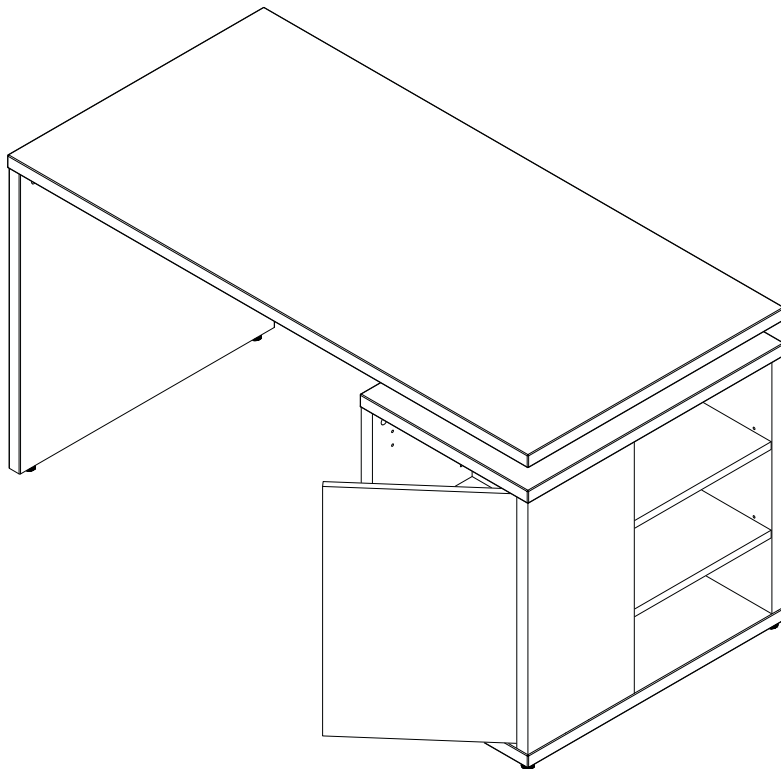
7

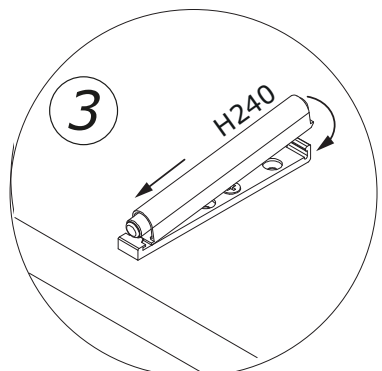
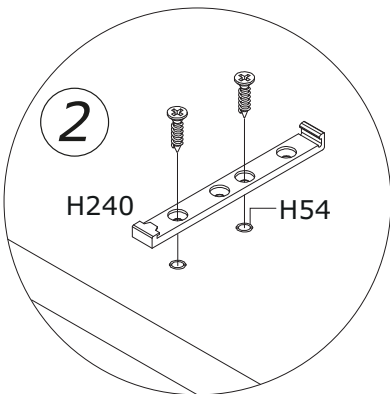
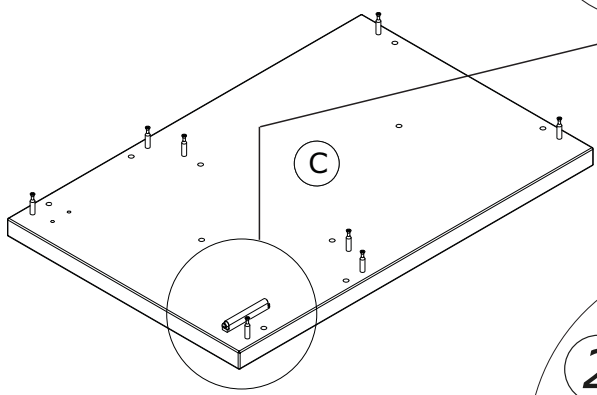
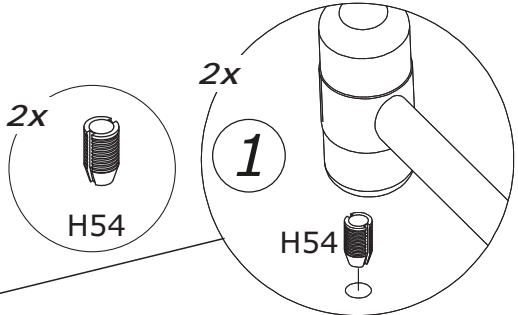
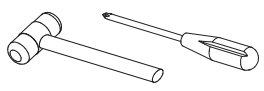
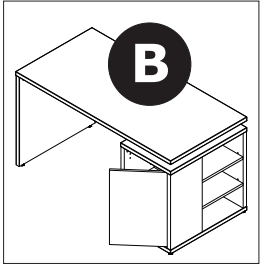
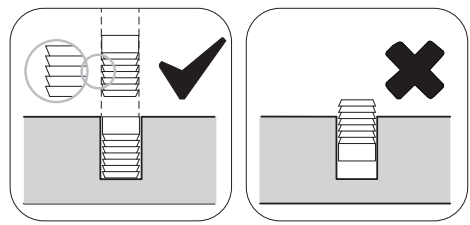
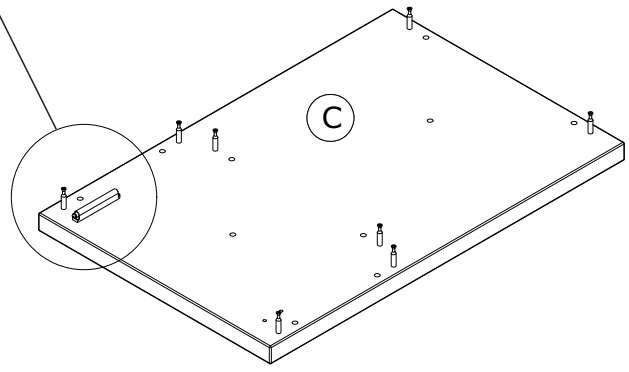
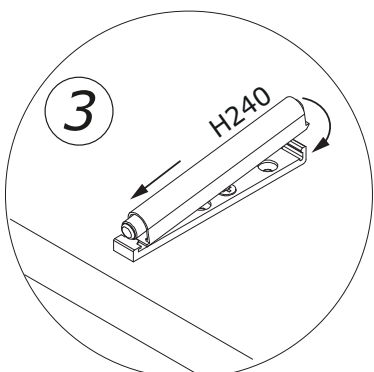
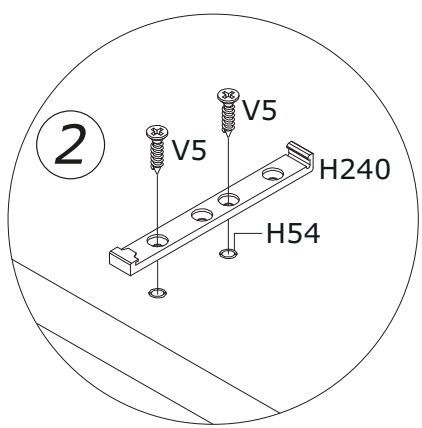
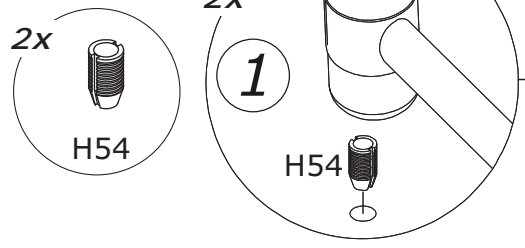
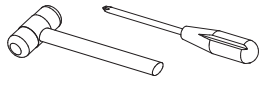
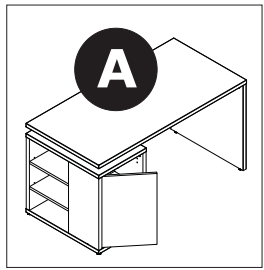
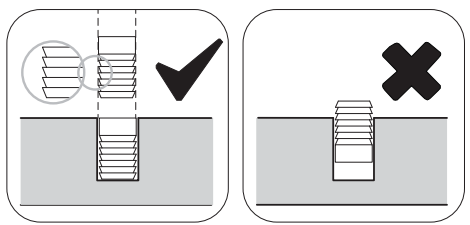


A



B





9

