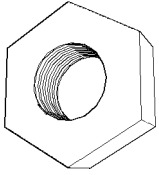
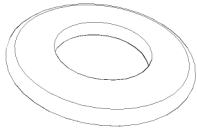


ASSEMBLY INSTRUCTION

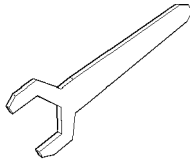
List of Hardware



8 pcs

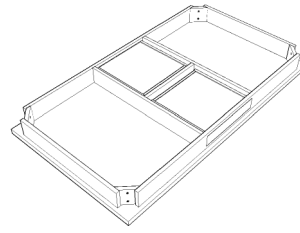


8 pcs

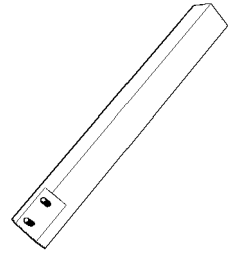


1 pc

List of Components

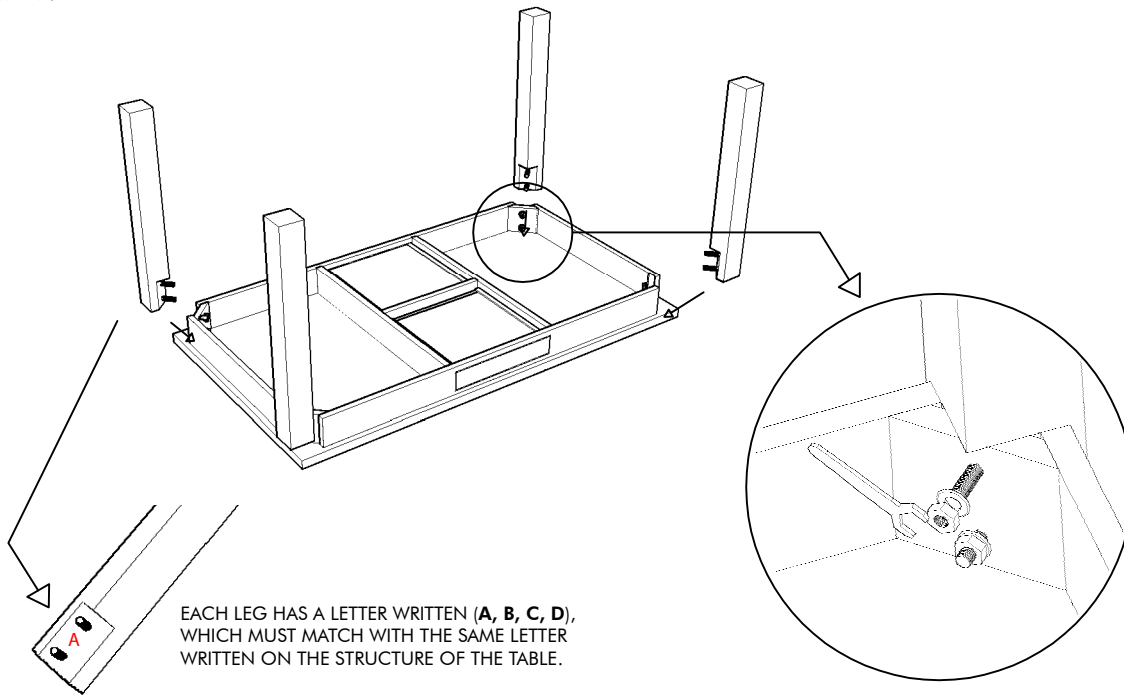


1 pc



4 pcs

STEP 1.



STEP 2.

