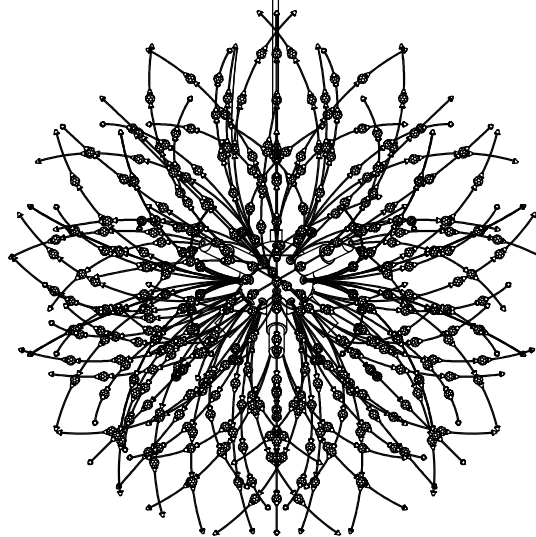
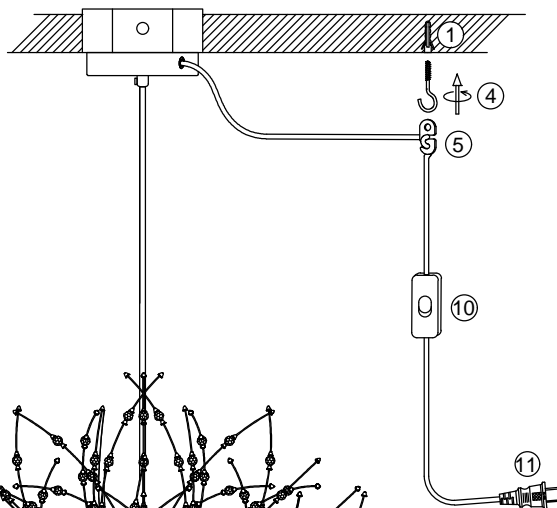
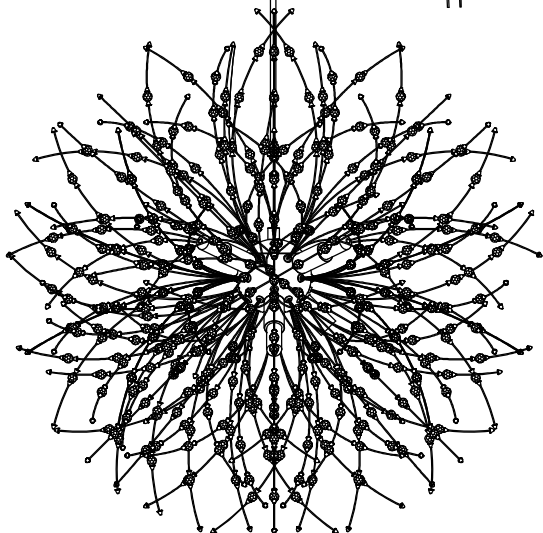
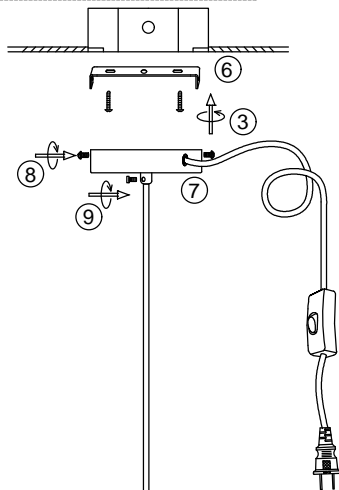
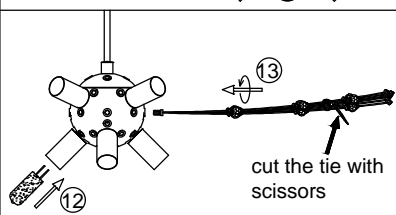


- ① expansion anchor 3pcs
- ② screw 3pcs
- ③ bolt screw 3pcs
- ④ open eye hook 2pcs
- ⑤ shock cord hook 2pcs



1. Install the bracket to the ceiling junction box with screw ③
2. Loosen the mini plastic screw ⑨ to adjust the height of the light, fasten it again when get suitable height.
3. Install the fixture to the bracket with screw ⑧.
4. Insert the bulb ⑫.
5. Insert the firework chain ⑬ to the ball and cut the tie with scissors.

6. Drill a hole with impact bit machine at the ceiling, hit the expansion anchor ① into the hole with hammer, rotate to install the open eye screw hook ⑤ to the anchor ①.
7. Hang the wire to the open side of shock cord hook ⑤, and hang the shock cord hook ⑤ to the ceiling hook ④.
8. Insert the plug and switch on the light, installation finish.

Please read carefully before installation!!!

Note : Please make sure that the electricity is powered off during installation !

Only a professional electrician should install this kind of product !