

# **INSTRUCTION MANUAL**

## **MODEL:A1481-2PLR**

Edition:20250543526Z

# ASSEMBLY GUIDE

Thank you a lot for your great support on us. We sincerely hope that you'll gain enjoyable using experience with it.

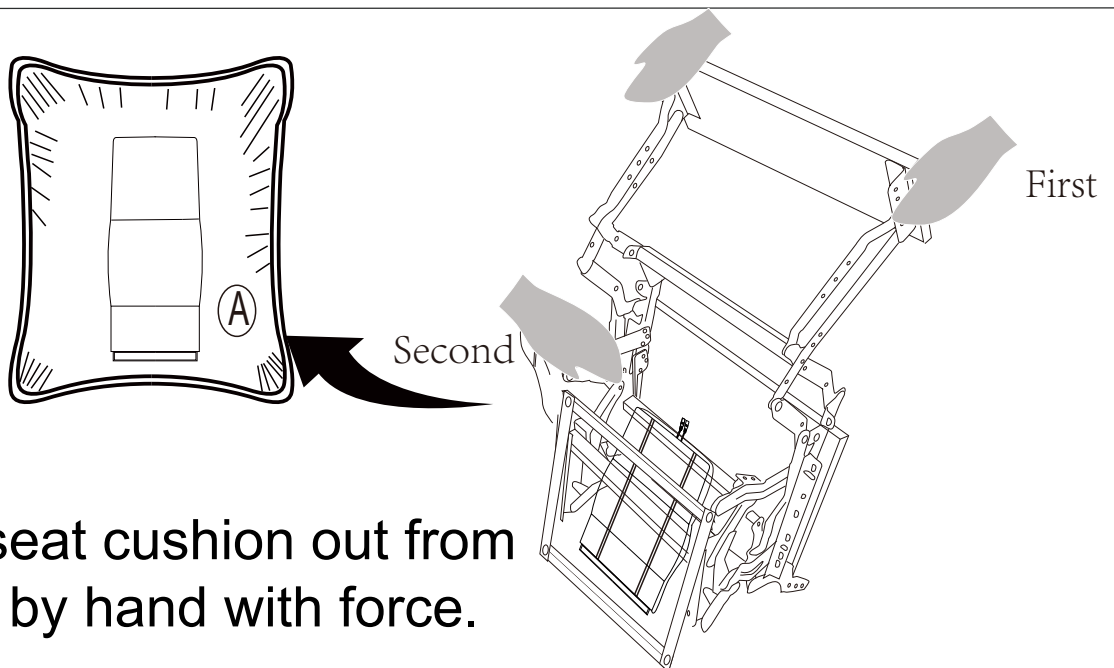
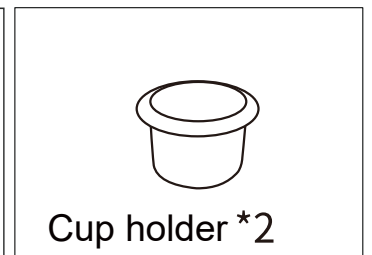
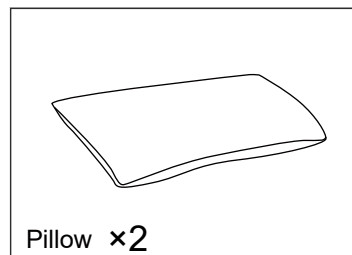
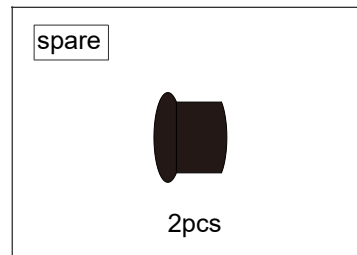
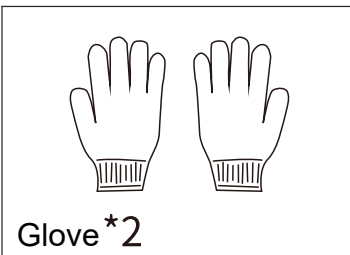
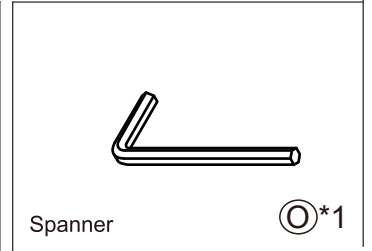
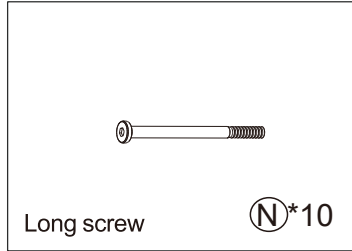
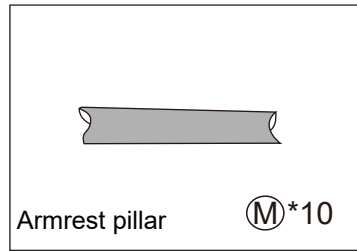
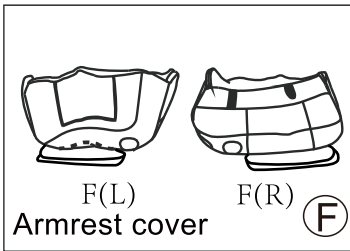
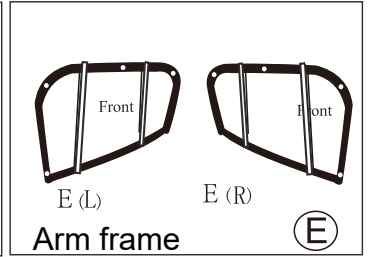
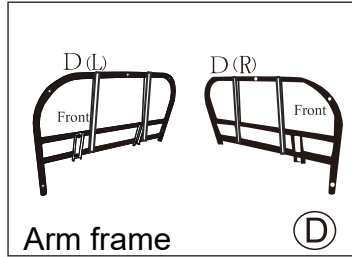
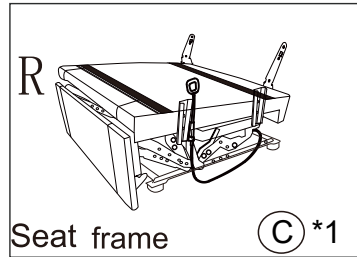
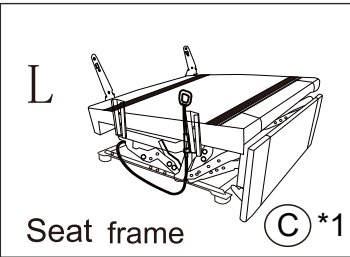
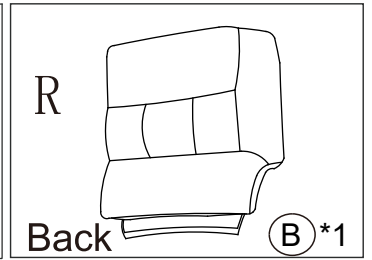
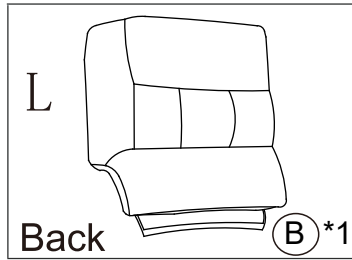
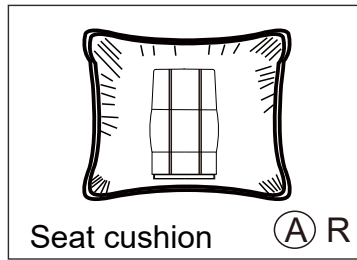
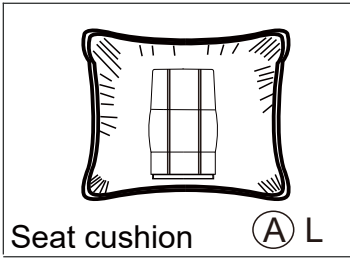
Before enjoy the comfort chair, you have to put it together. This Assembly Guide will take you through the basic assembly process. To make sure your assembly goes smoothly, please follow the assembly instructions, **and especially the important safety information.**

Also, while it is possible to assemble the chair on your own, **having a second person to help you makes it even easier.**

Before you begin, please check if there are any missing parts from the package. Should there be any issues, please don't hesitate to drop us an email and we'll help you out ASAP.

# PACKAGE LIST

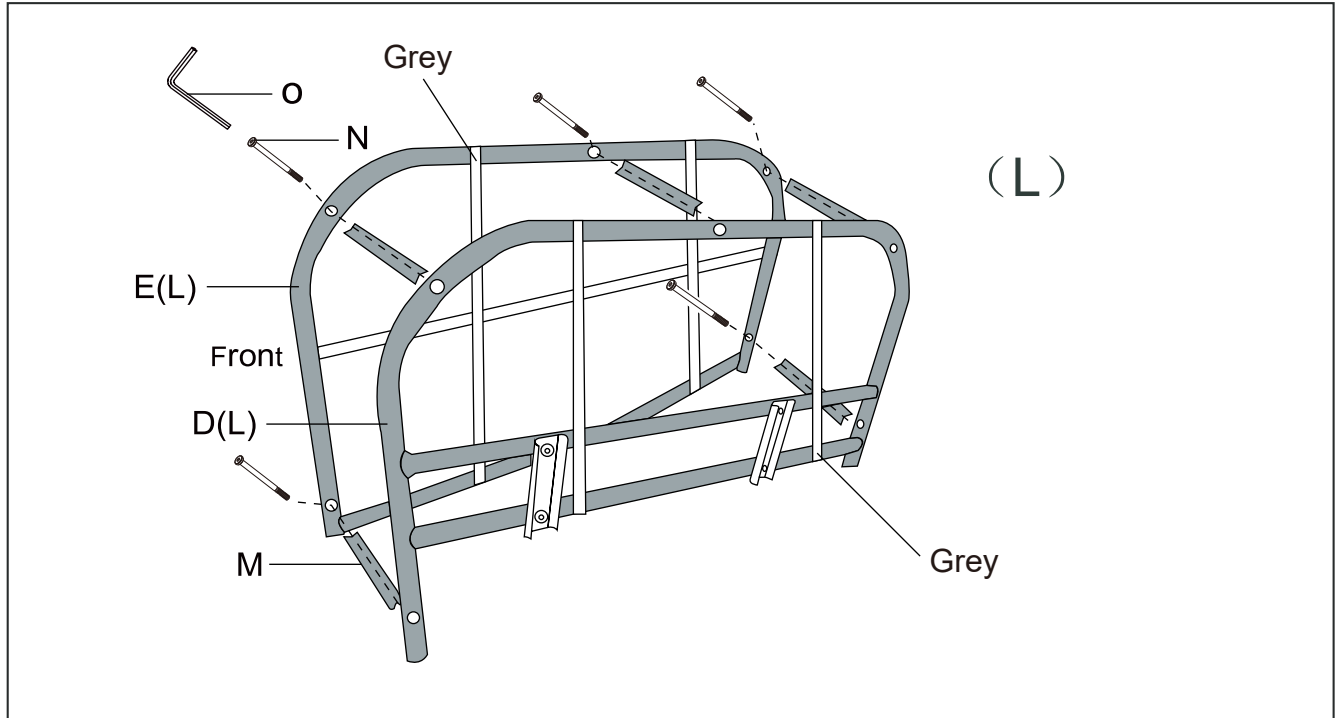
02



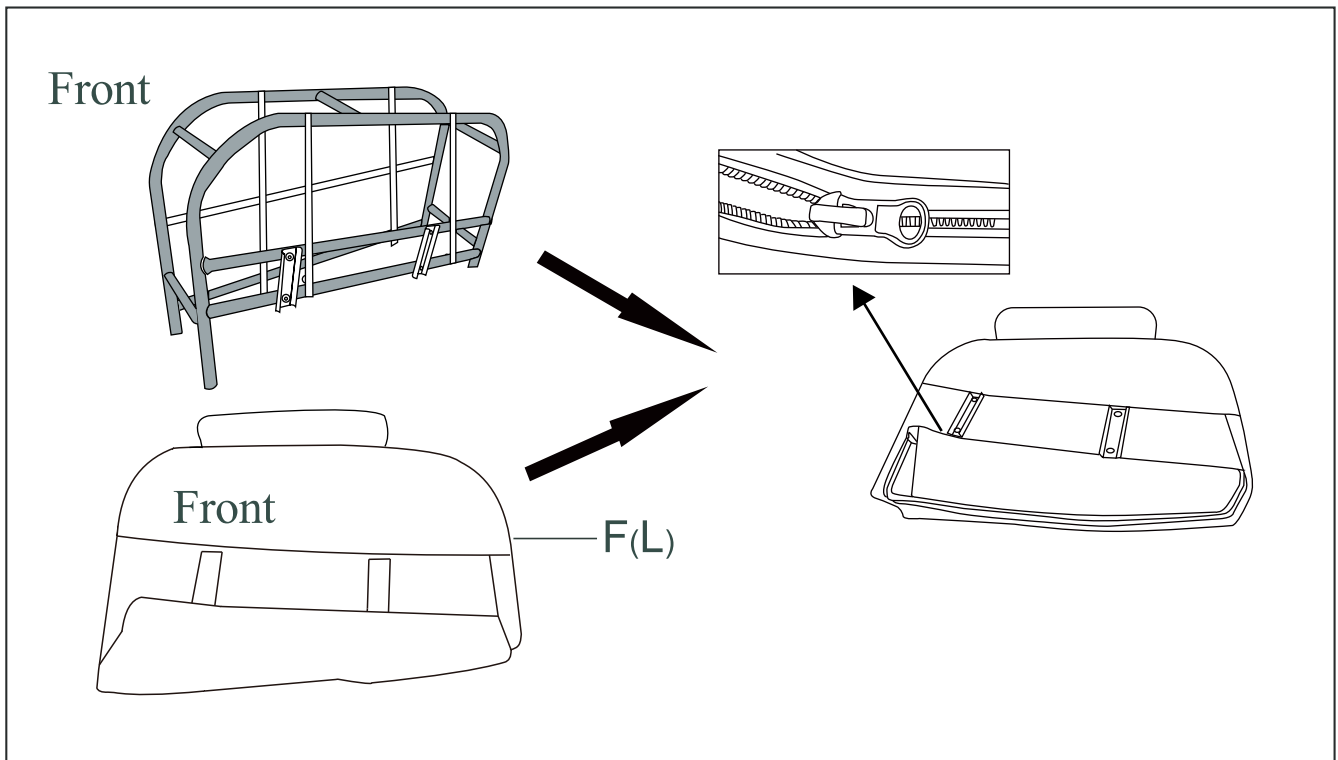
Pull the seat cushion out from the base by hand with force.

# ASSEMBLY INSTRUCTION

**STEP 1:** Use spanner O and screw N to pin through the inner iron frame D and the armrest pillar M to the outer frame E of the armrest. Tight all screws, please pay attention to distinguish the front and back of the armrest frame.

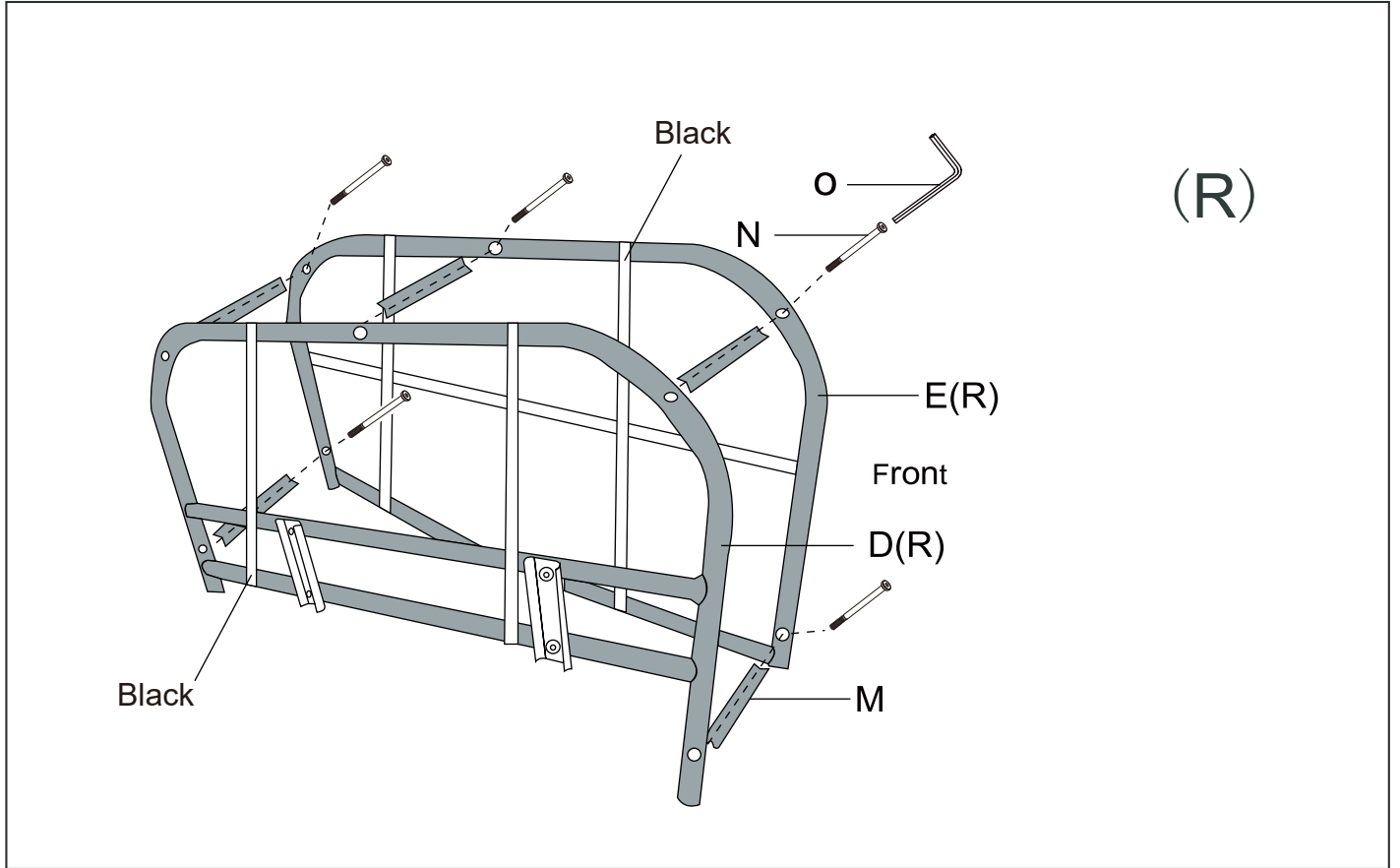


**STEP 2:** Align the armrest cover to armrest-assembled iron frame in sequence of left and right, back and forward. so that the cloth cover hole is aligned with the insert hole. Pull the zipper after all is OK.

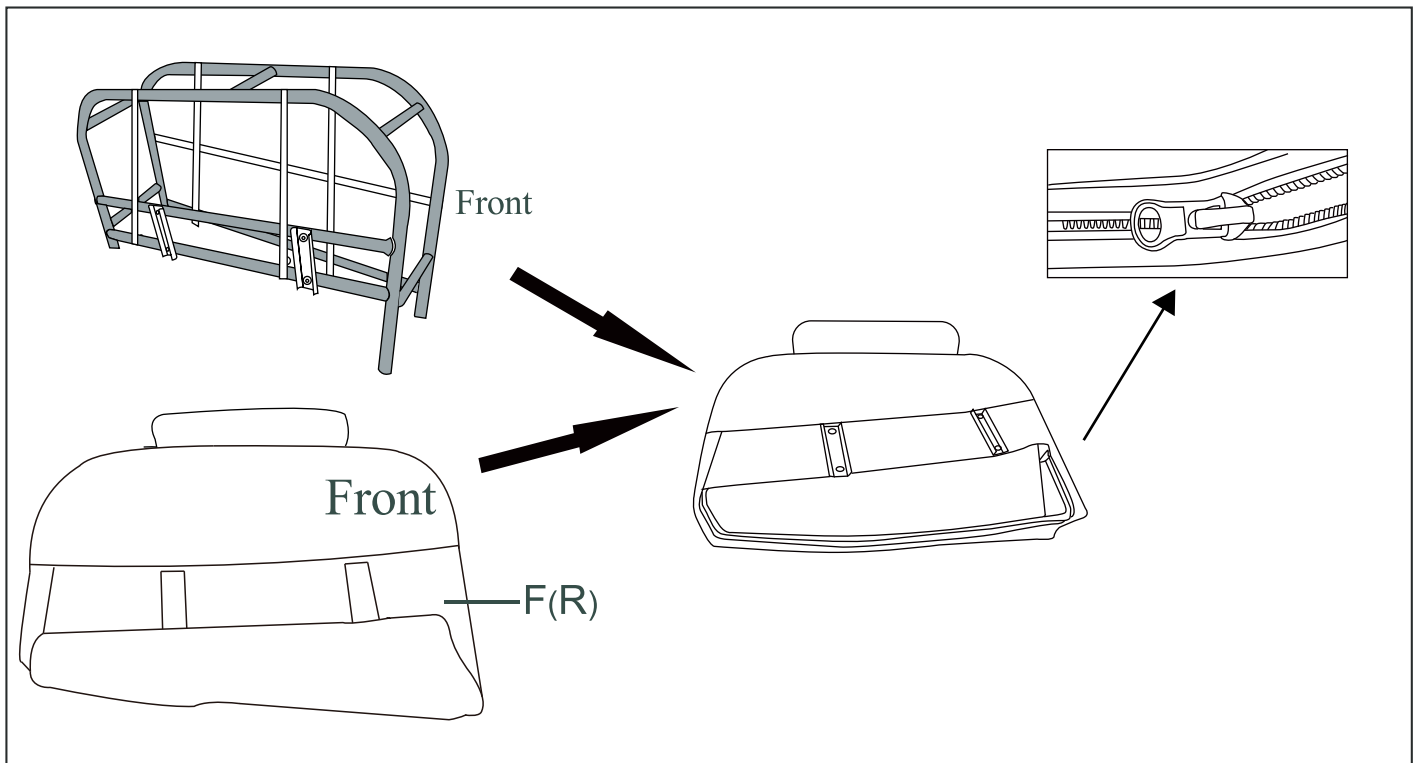


# ASSEMBLY INSTRUCTION

STEP 3: Repeat Step 1.

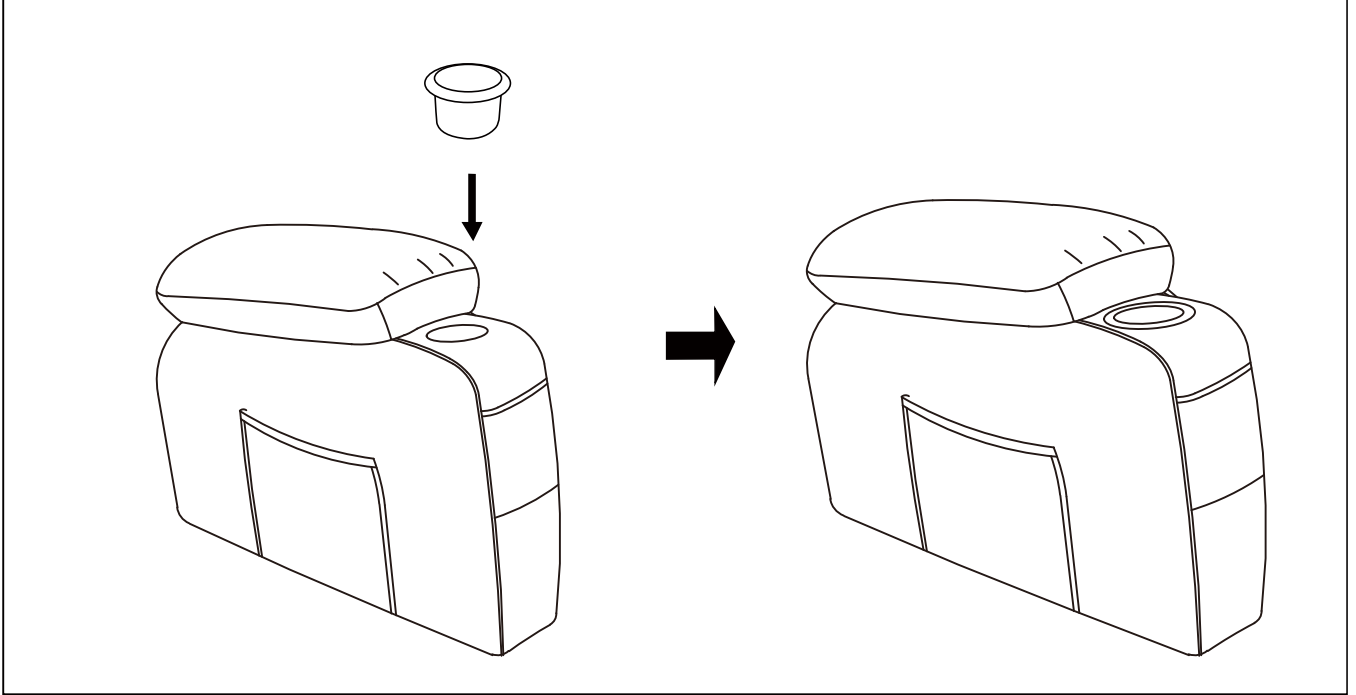


STEP 4: Repeat Step 2.

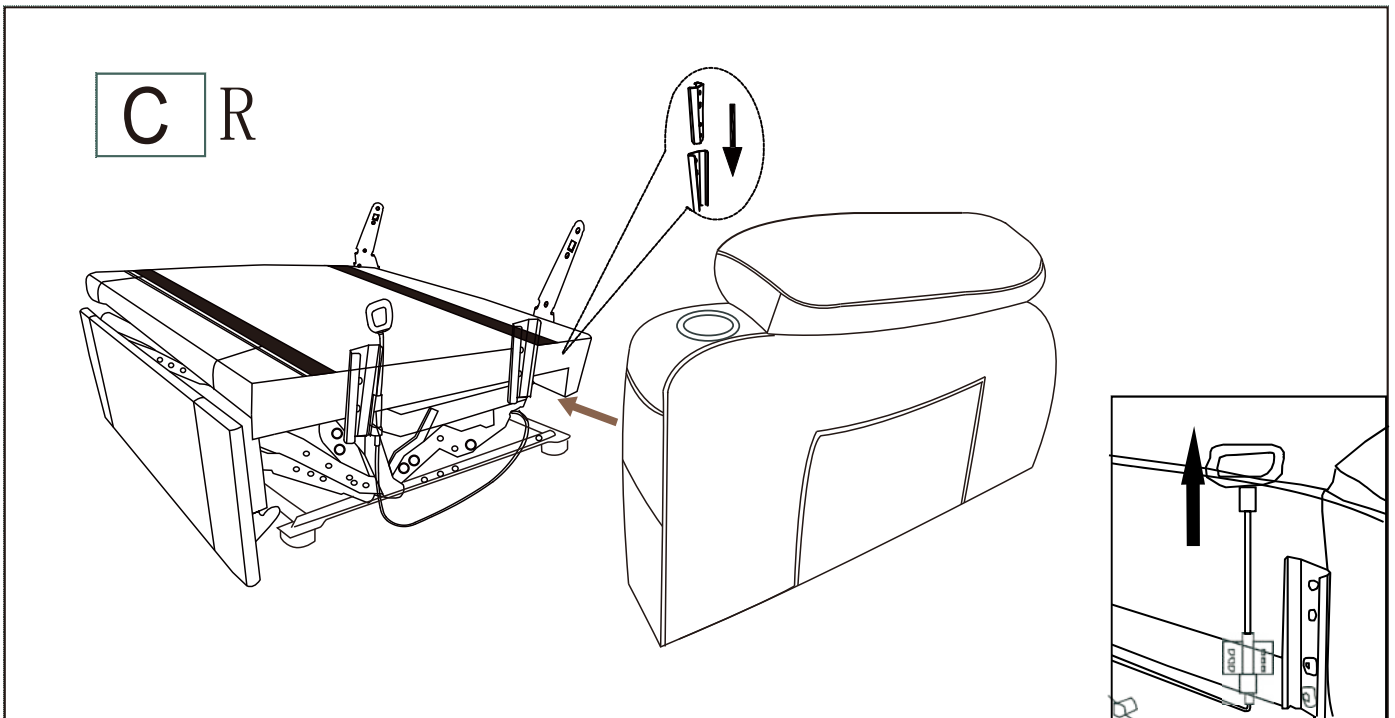


# ASSEMBLY INSTRUCTION

**STEP 5:**Place the cup holder into the groove.

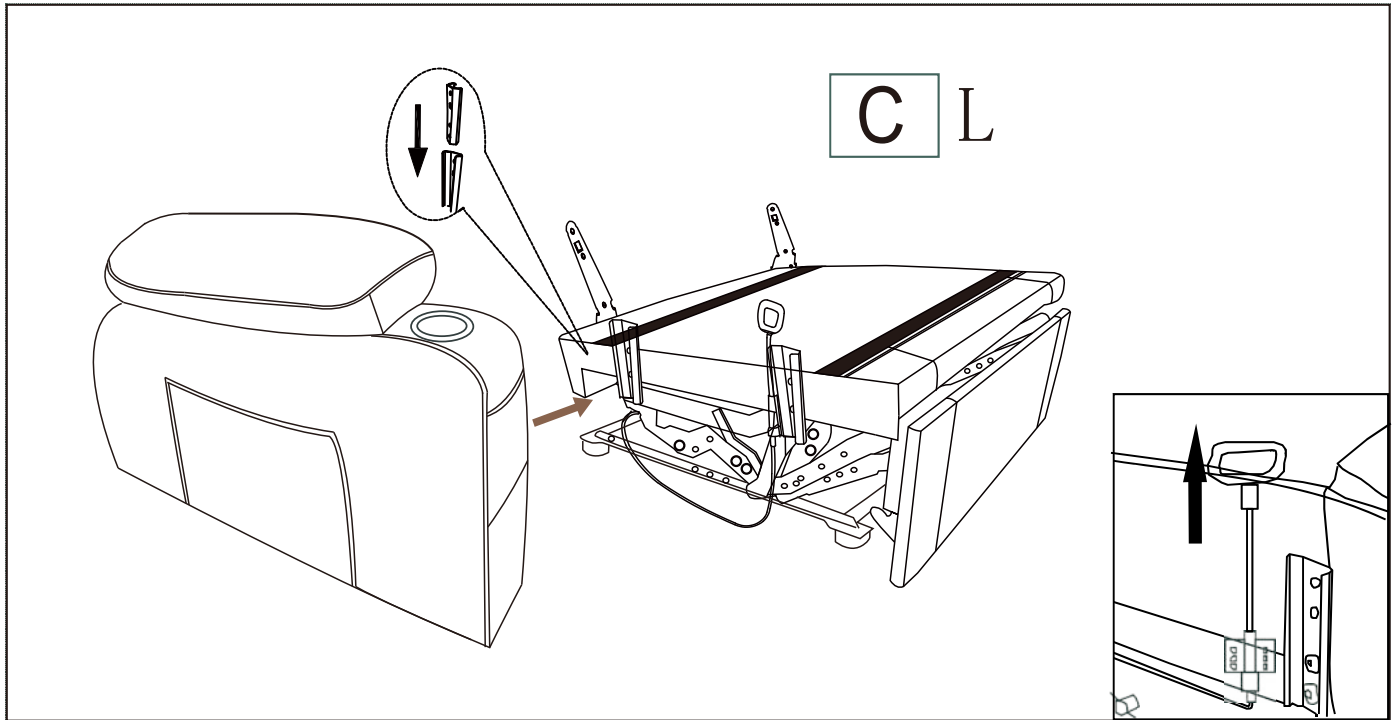


**STEP 6:**Insert arms so that they can fit into the seat, you will hear a “click” when they are engaged.

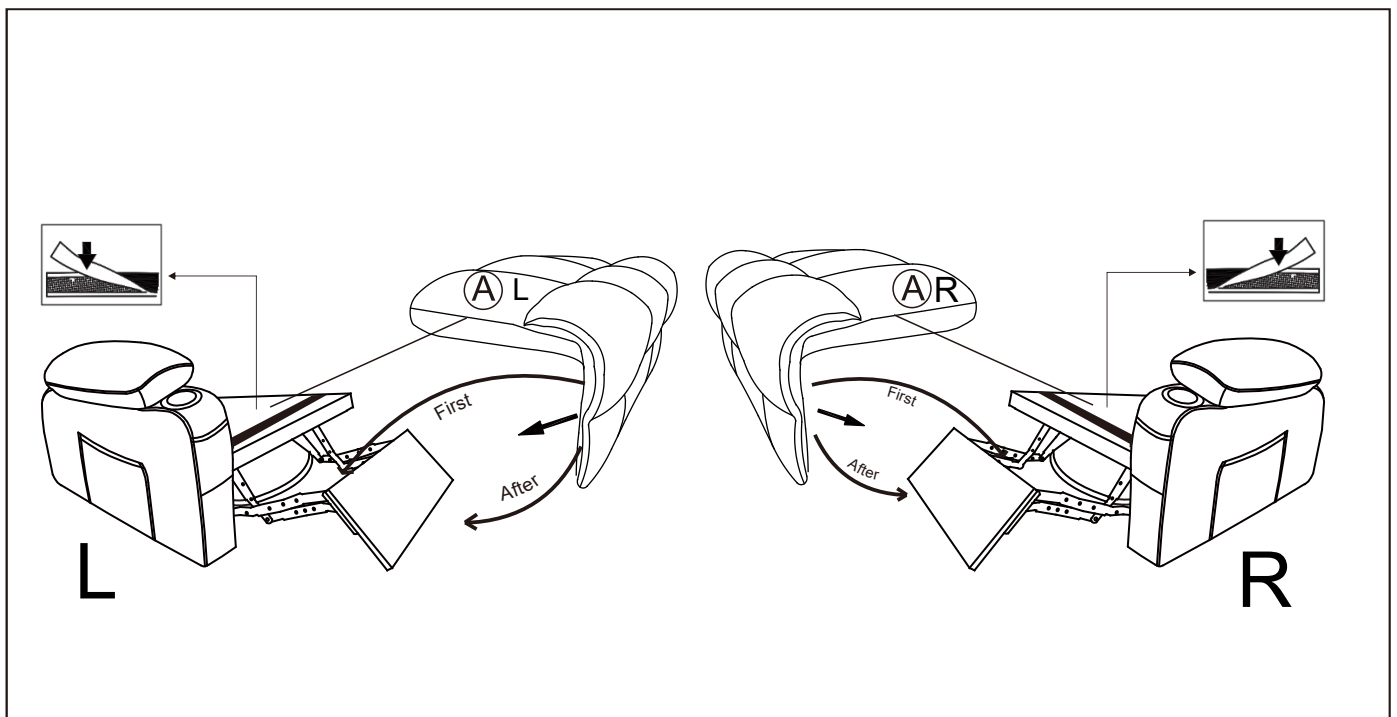


# ASSEMBLY INSTRUCTION

STEP 7: Repeat Step 6



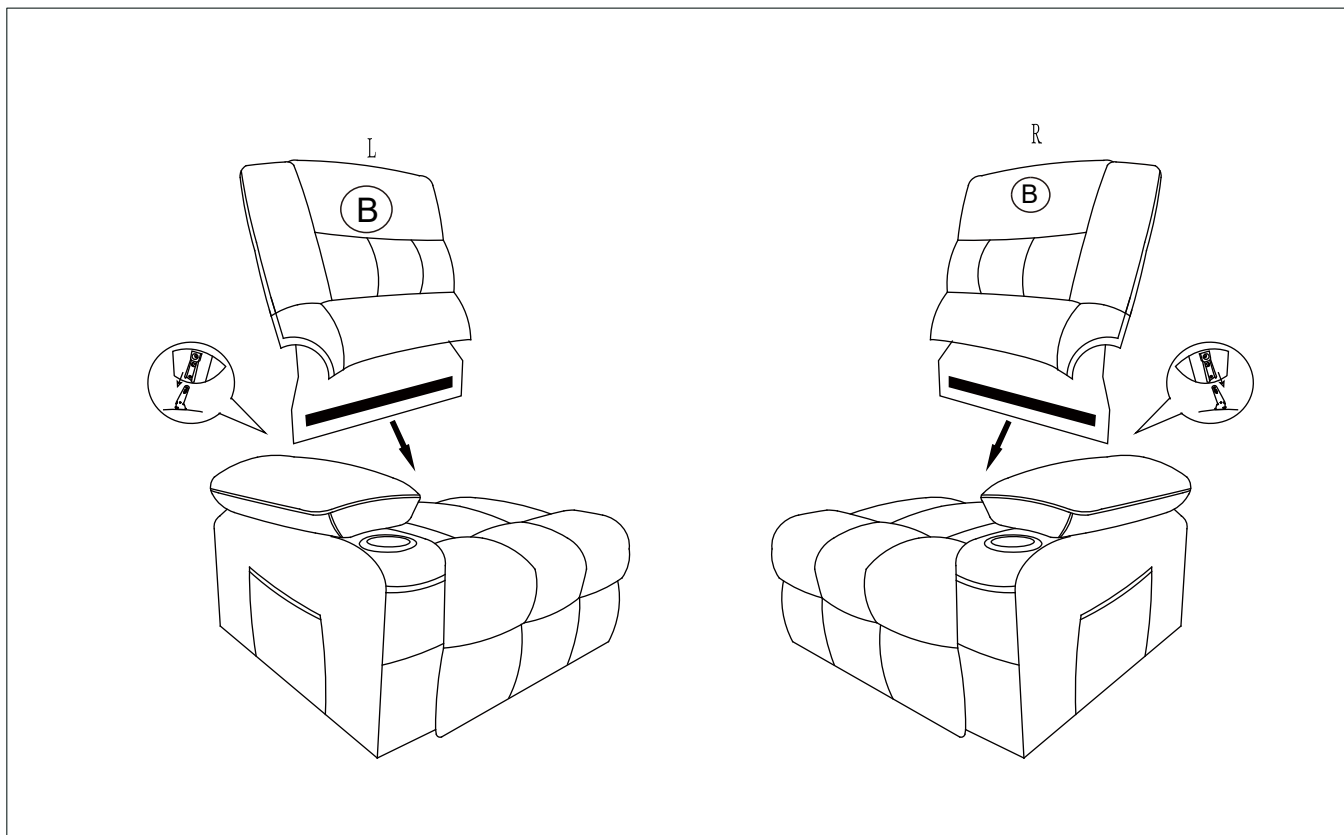
STEP 8: Open seat bag A, stick the Velcro on the footboard, and stick the Velcro on the seat bag.



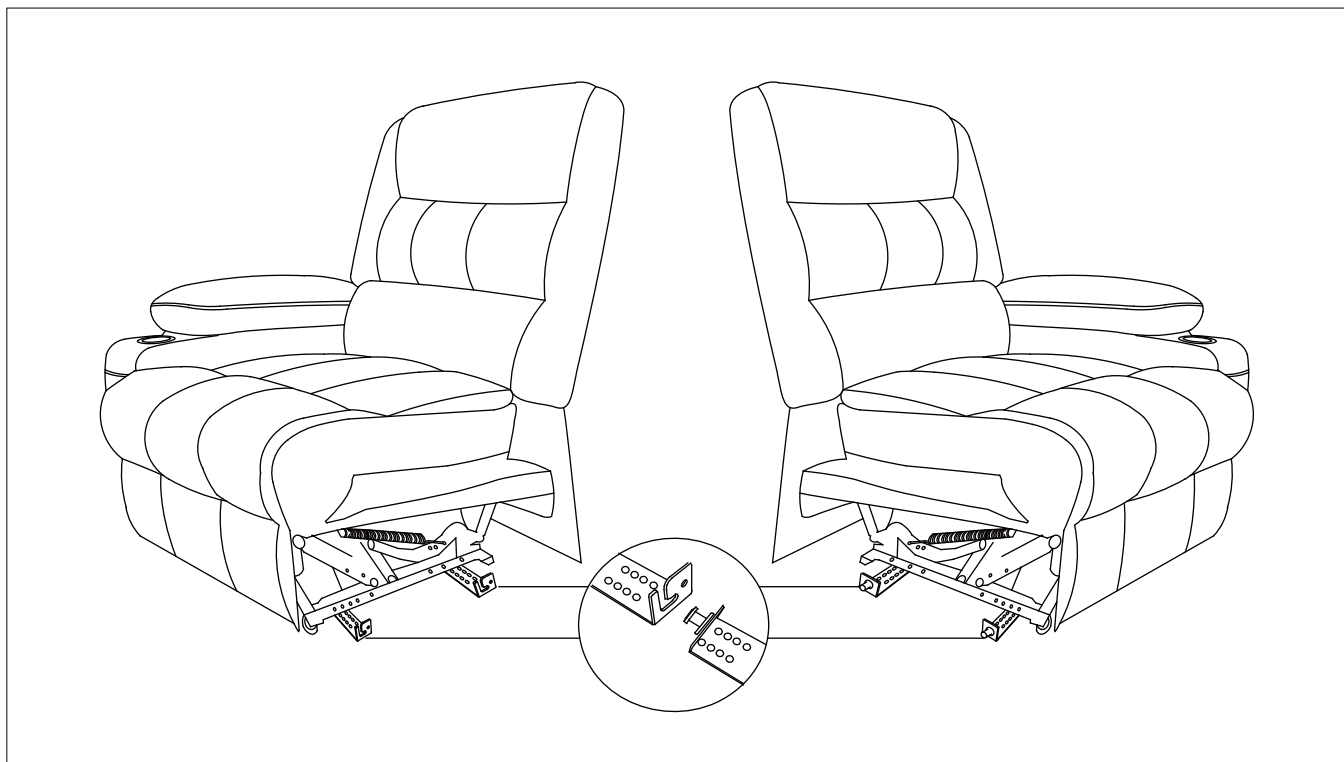
# ASSEMBLY INSTRUCTION

07

STEP 9: Plug the back pad into the seat frame.

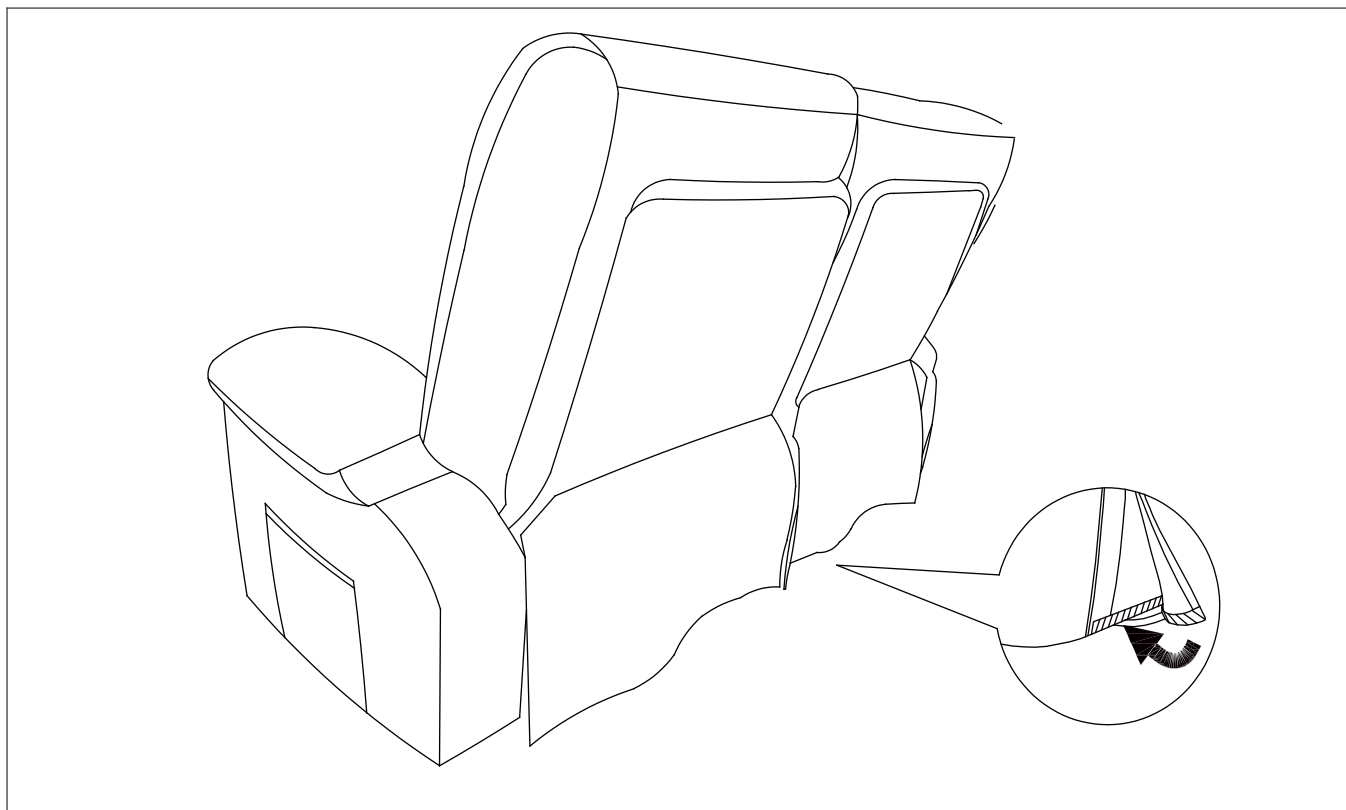


STEP 10: Hang the pendant on the pendant slot, and the two chairs can be connected together.

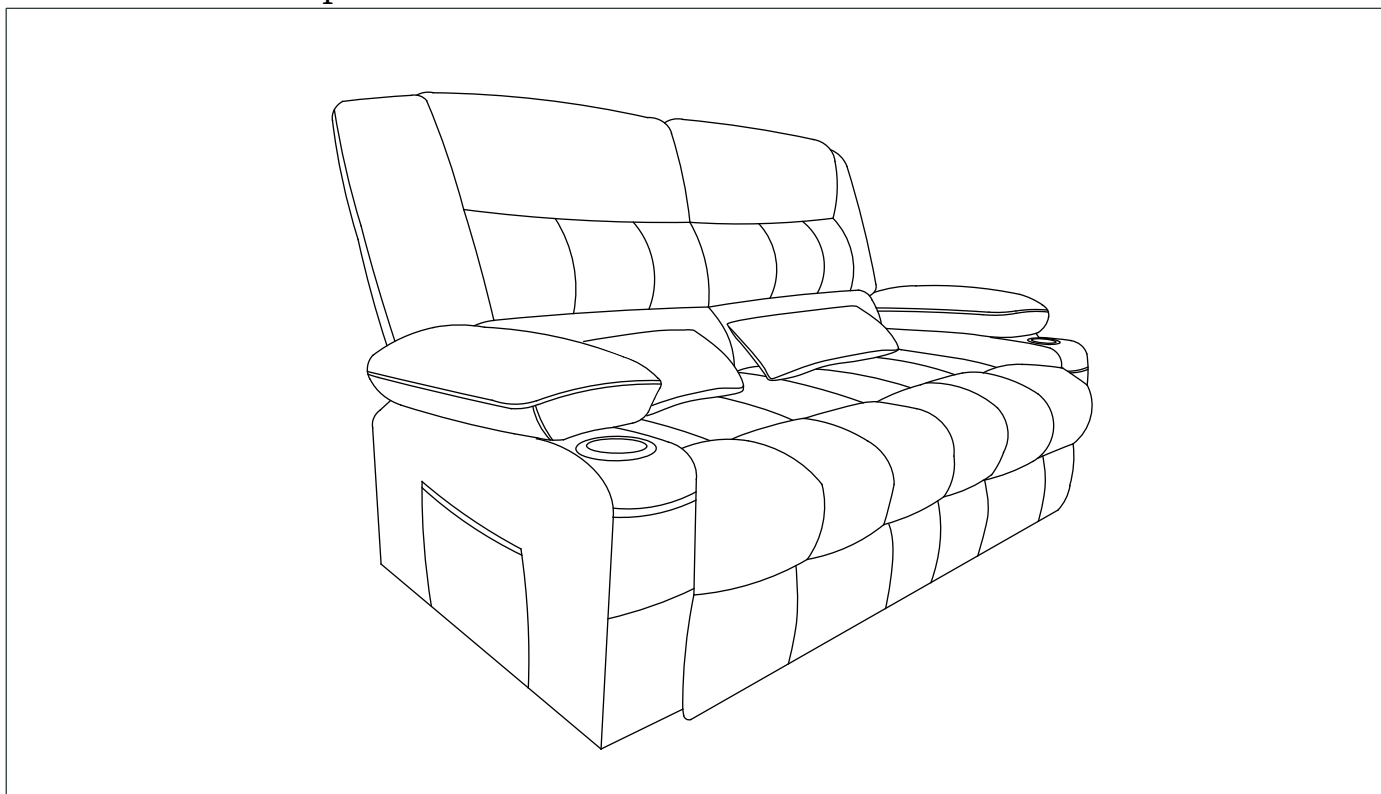


# ASSEMBLY INSTRUCTION

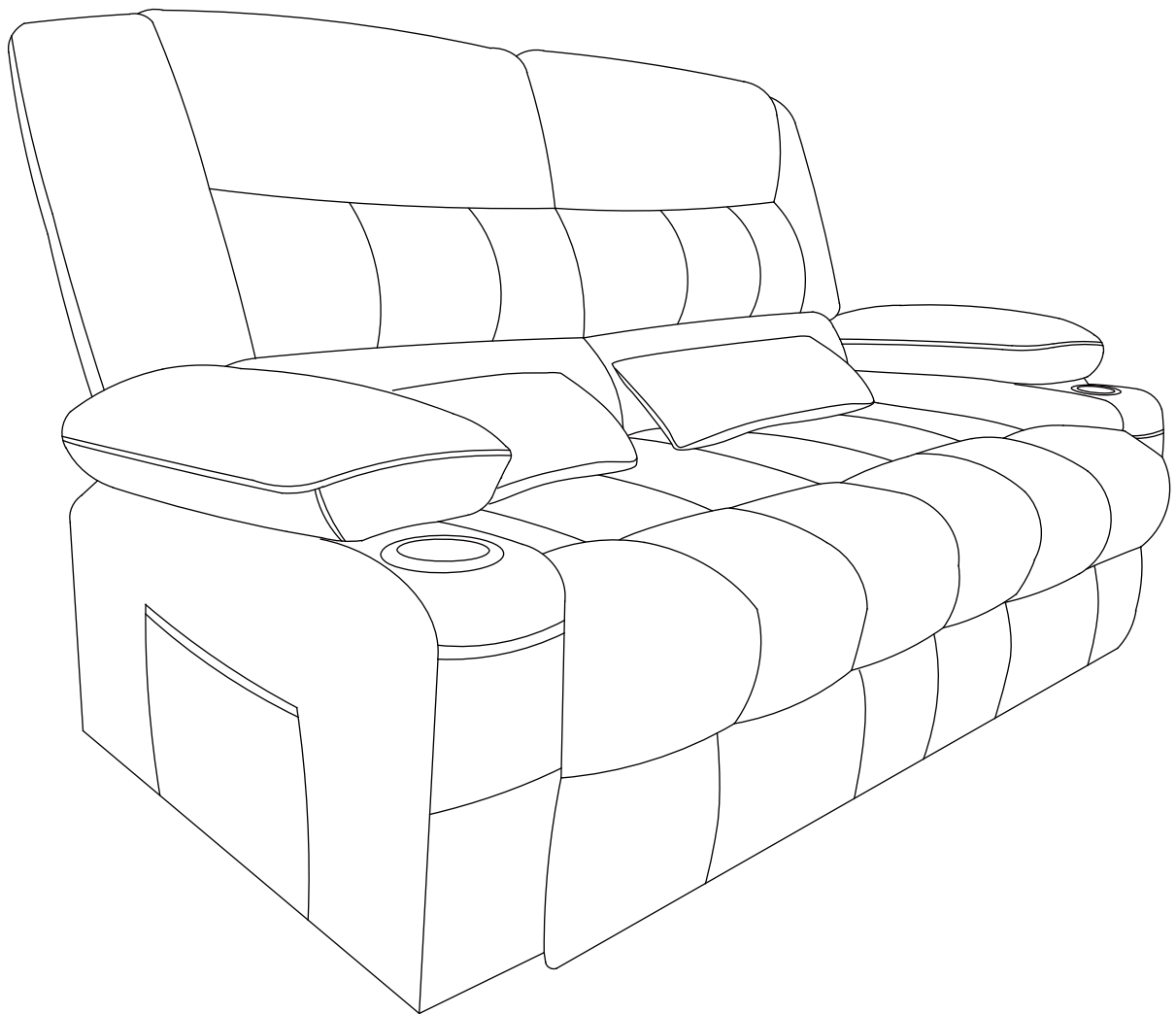
STEP 11 :Stick up the Velcro below.



STEP 12 :Place the pillow on the sofa.

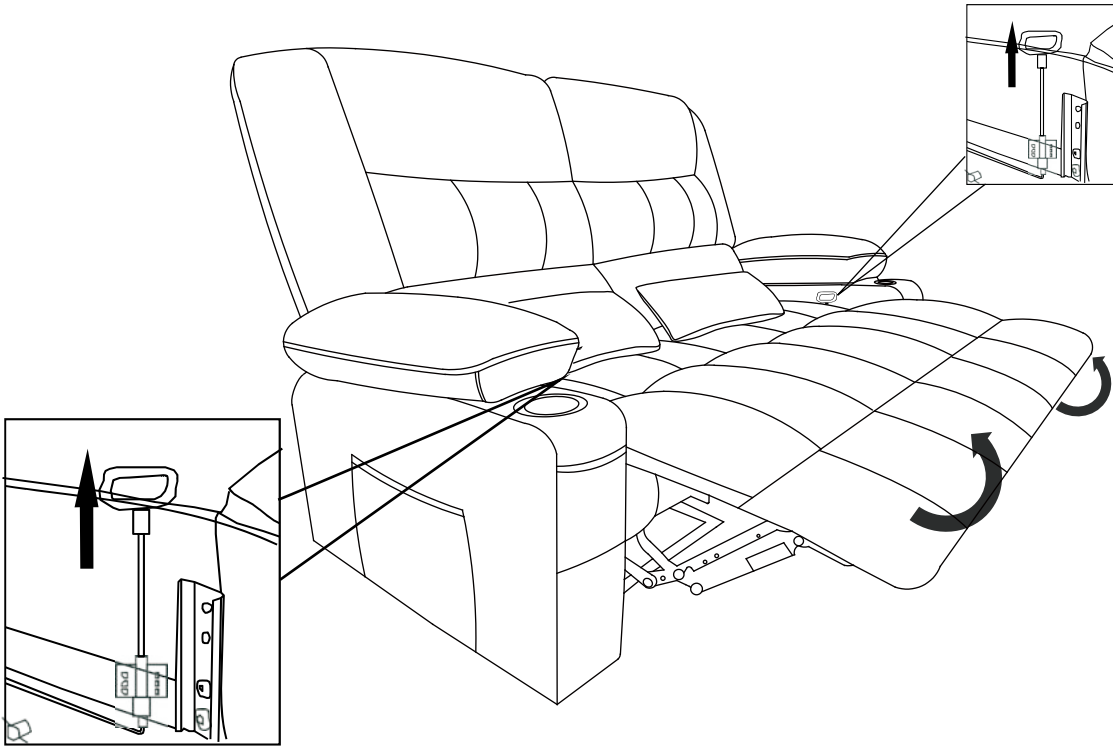


*Congratulations! You've assembled*  
**Your Sofa!**

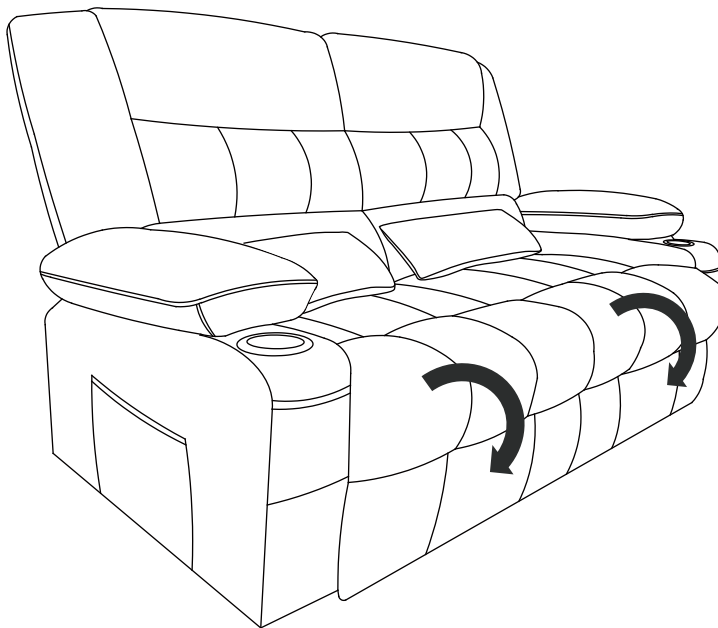


**Note:** Since the backrest is packed in compression, after the product is installed, you need to tap and adjust the backrest which can help restore fullness. After two days, you will get a Overstuffed Recliners as picture shows.

## OPERATING INSTRUCTION



Pull the handle to spread out the SOFA



Pull back the SOFA with your legs

## Warnings

- Sit down in the chair gently. To avoid tipping over, do not throw yourself into the chair. Move the chair into the reclining position slowly, making sure that no children or pets are in close proximity. Do not allow children to play on or around the chair, particularly when it is in an open position.
- Close the recliner completely before getting out of it.
- Never sit on the footrest when it is open, even if it is a child.
- To eliminate the risk of tipping over, do not sit on the arms or footrest of the chair.
- This chair is designed to be used by 1 adult at a time.
- Please forbid people with the following ailments from using this sofa: Those people with severe symptoms of heart disease, high blood pressure, cerebral thrombosis and others who are sensitive to heat or completely insensitive to heat, those with brittle bones or have issues with waist support pregnant women, children and others where it has been determined they are not suitable to use this product under the guidance of doctors.
- To fully recline the sofa, ensure the sofa well, you need to put the sofa at least 19 inches away from the wall or any other obstacle.
- Product cannot touch water, fire, etc. Product can also not come in contact with sharp objects (knives, nails, etc.)

## Maintenance Manual Instructions

- To avoid dropping, you should carry the sofa carefully.
- If you find dirt and or stains on the chair, spray the sofa with a sofa specific cleaner then use a sponge or cloth to wipe the dirt away. Do not use water, soapy water or cleaner with waxed wooden areas. Take care to wipe the sofa carefully and gently.
- Do not put the sofa in an area with direct sunlight and do not put the sofa directly in front of an air conditioner, this will fade the upholstery and make it brittle.

## How to Disassemble

Please find a strong tool to prod the small piece of metal grooves, then the backrest will be pulled out. The tool is not included.

