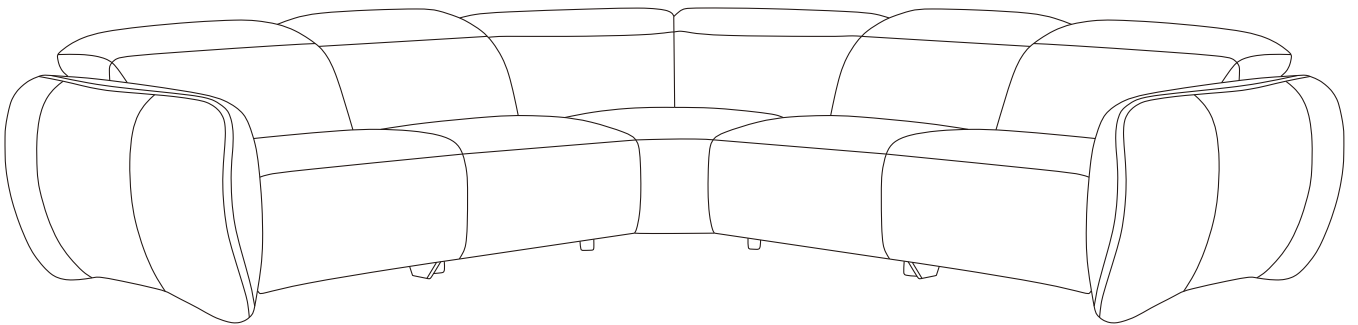


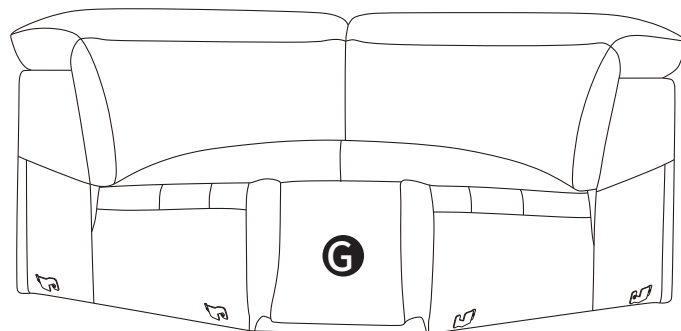
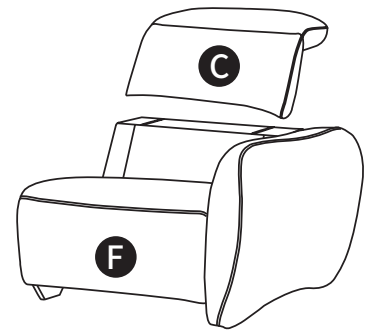
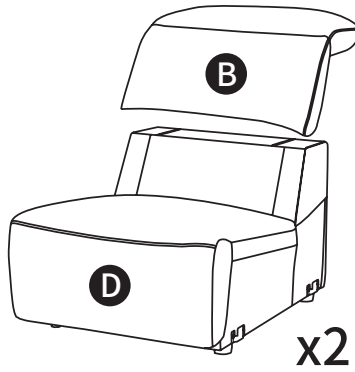
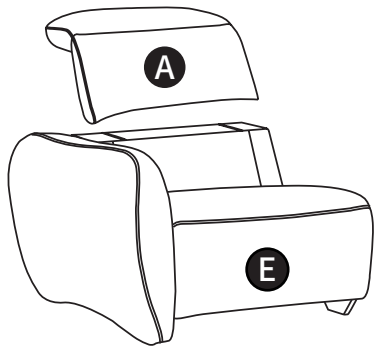
Power Reclining Sectional Assembly Manual



 **CAUTION**

THIS ASSEMBLY MANUAL CONTAINS IMPORTANT SAFETY INFORMATION.
PLEASE READ AND KEEP FOR FUTURE REFERENCE.

COMPONENTS



A Chair Back x1

B Chair Back x2

C Chair Back x1

D Chair Base x2

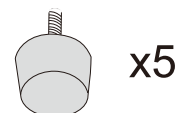
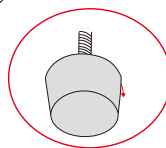
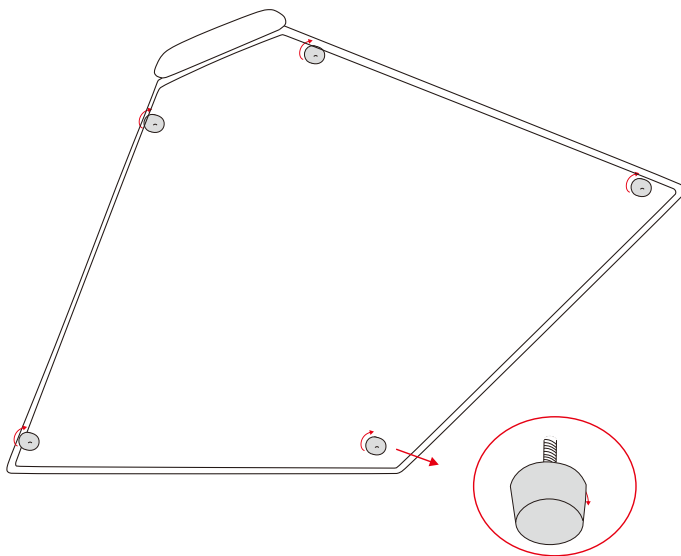
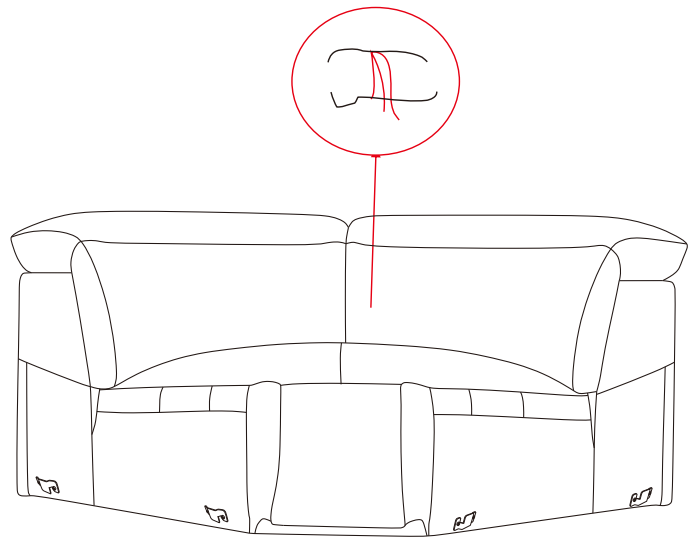
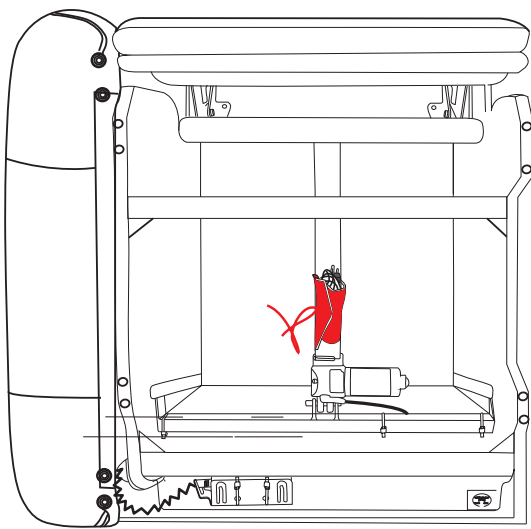
G Corner Sofa x1

E Left-arm Sofa x1

F Right-arm Sofa x1

WARNING

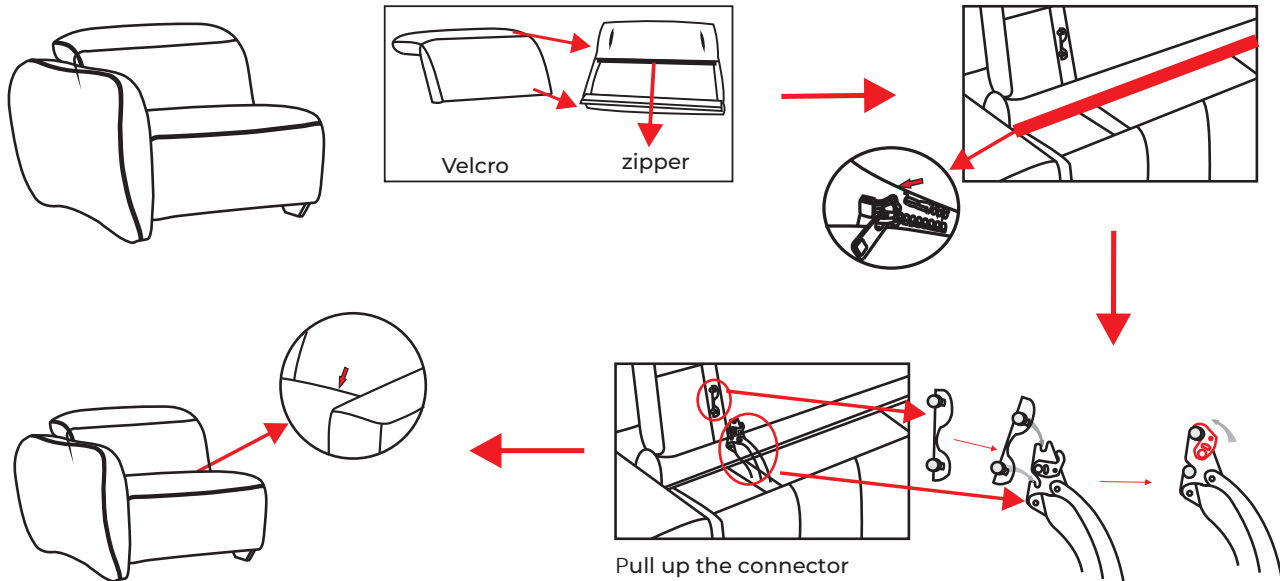
Find a protector at the bottom, then remove it before using.



ASSEMBLY

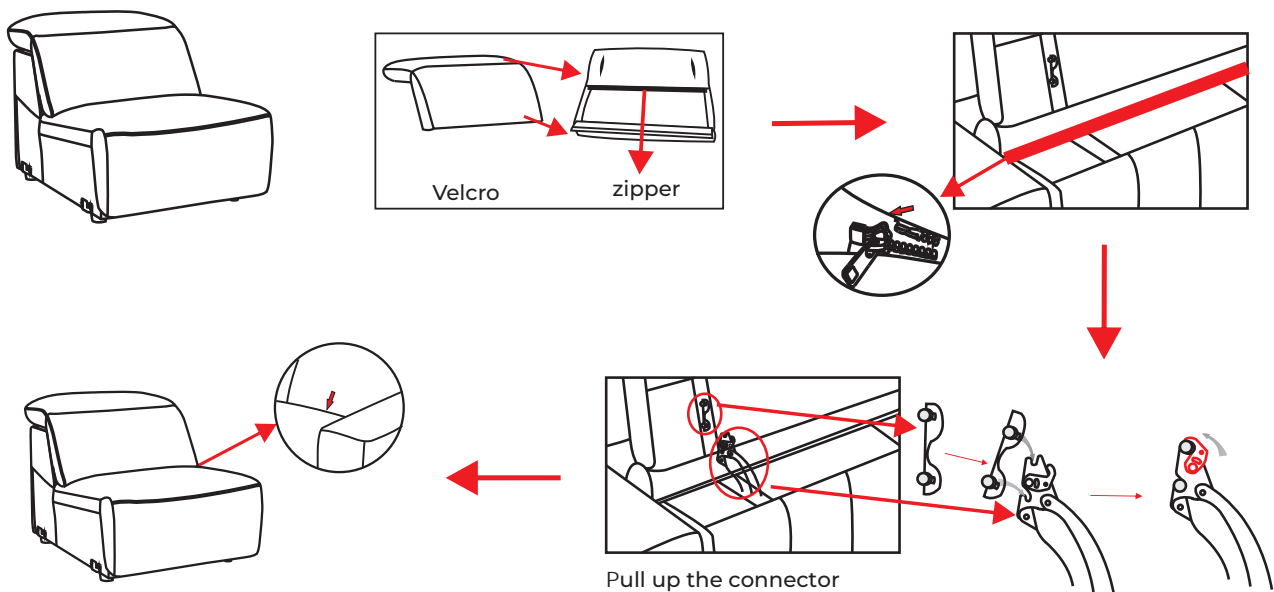
Step 1

Lift the connector, then connect the chair back and its base,
Tuck the chair back velcro into the seat cushion gap.



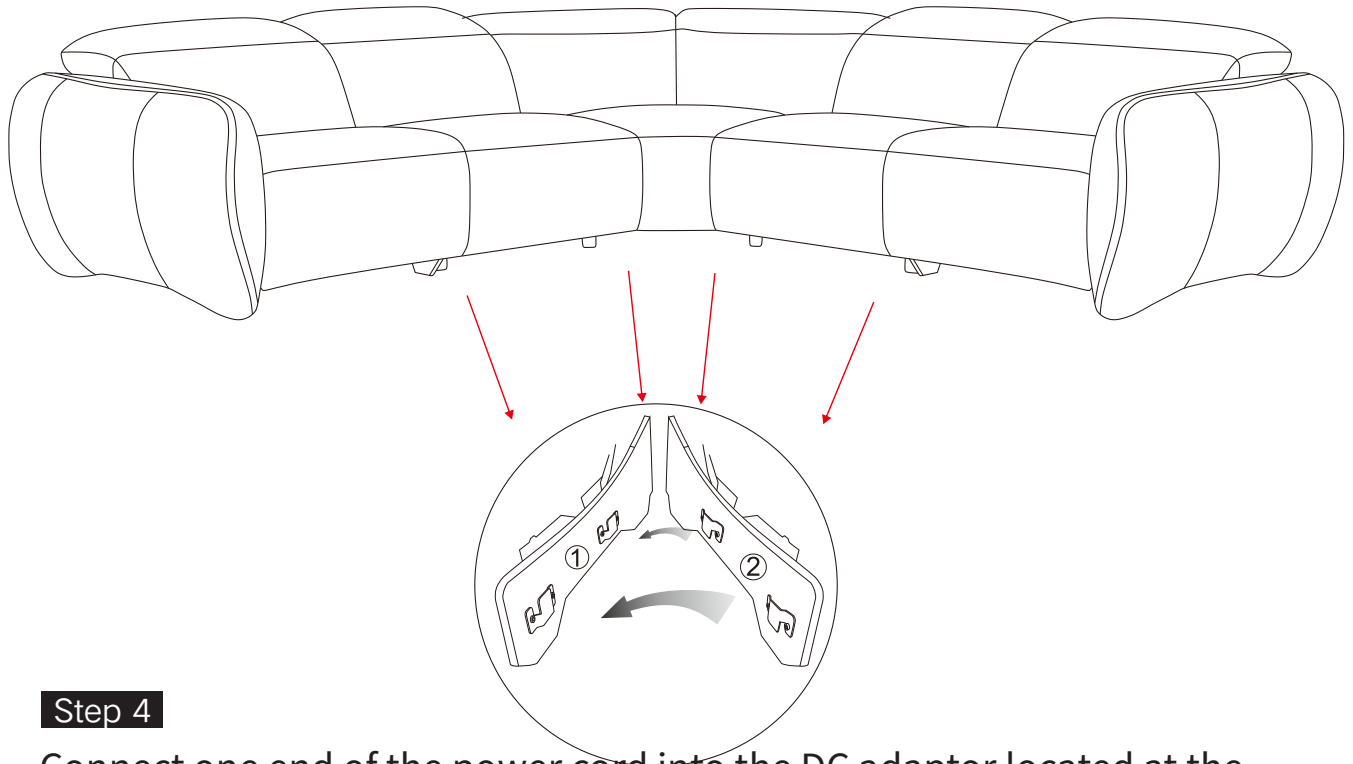
Step 2

Lift the connector, then connect the chair back and its base,
Tuck the chair back velcro into the seat cushion gap



Step 3

Group each sofa together by connecting pieces.



Step 4

Connect one end of the power cord into the DC adaptor located at the back of the seat. Plug the other end of power cord into the power outlet.

