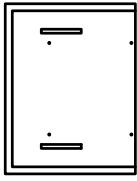
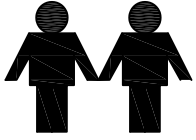


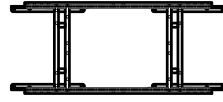
# ASSEMBLY INSTRUCTION



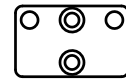
A × 2pcs



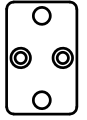
B × 1pc



C × 1pc



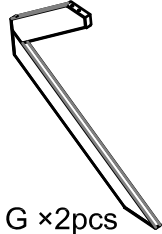
D × 2pcs



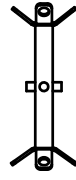
E × 2pcs



F × 2pcs



G × 2pcs



H × 1pc

+Spare×2



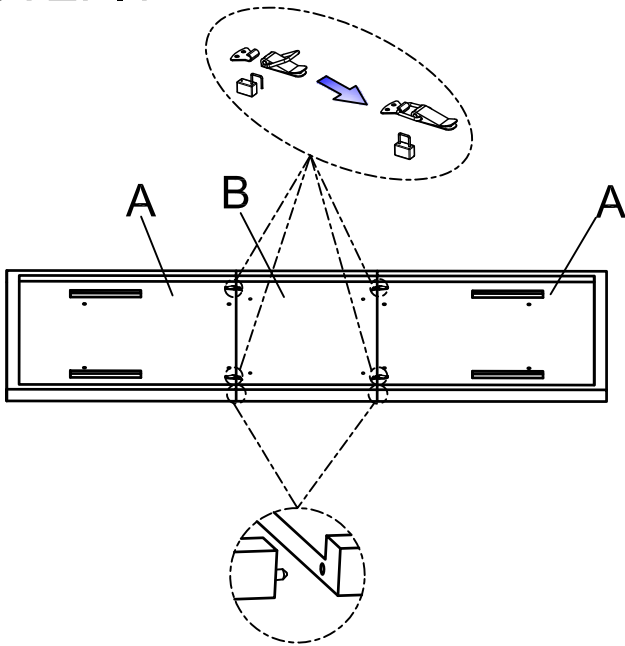
I×10pcs  
M8\*16mm

+Spare×2

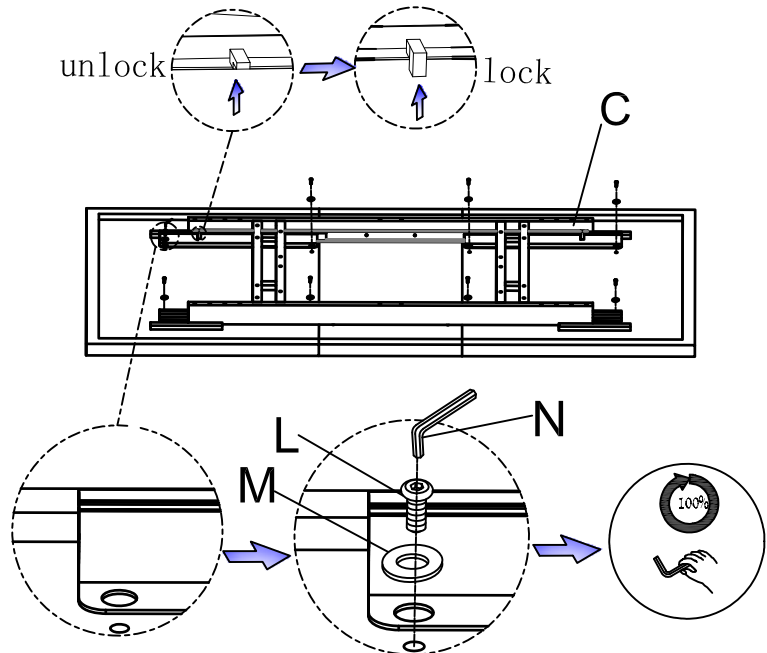


J×10pcs  
M8\*16mm

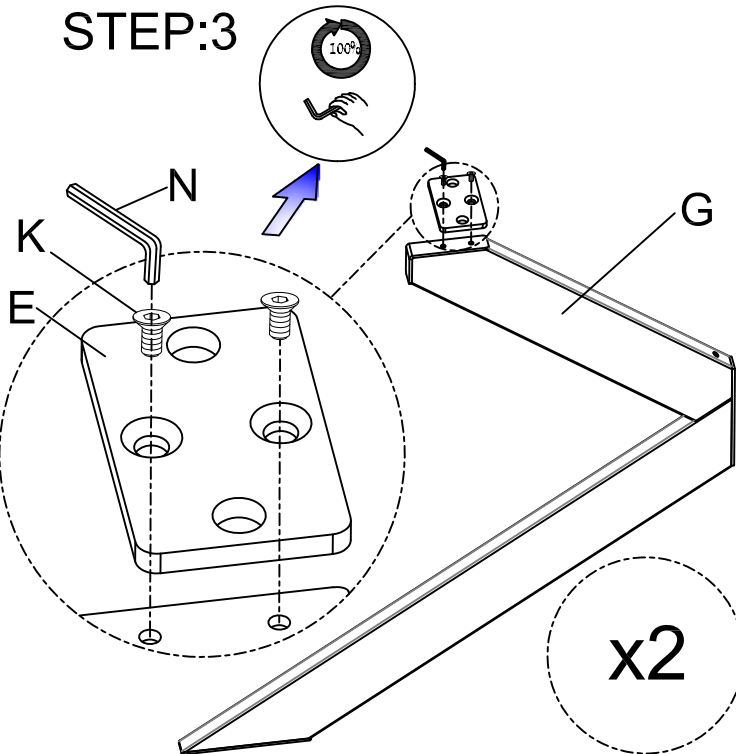
## STEP:1



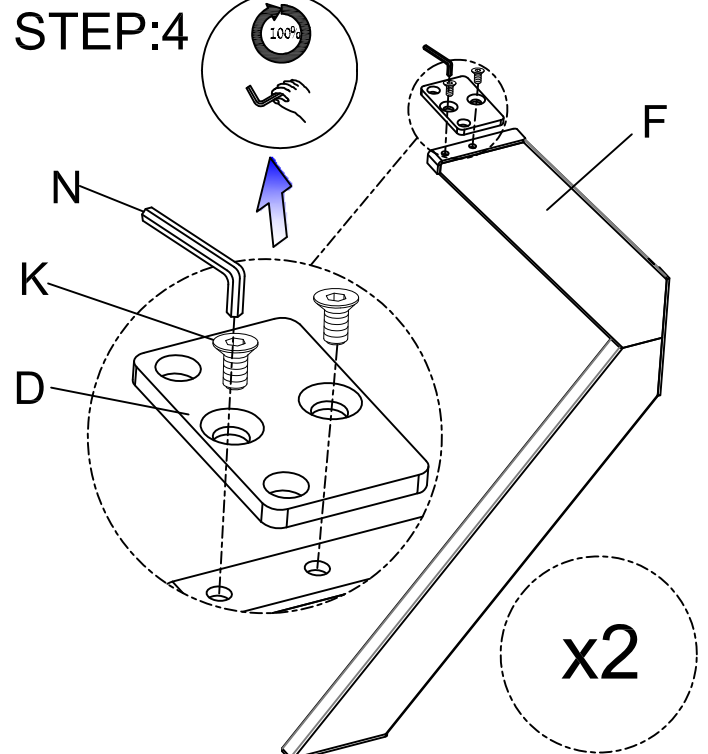
## STEP:2



## STEP:3



## STEP:4



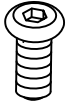
# ASSEMBLY INSTRUCTION

+Spare×2



K×10pcs  
M8\*12mm

+Spare×2

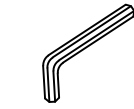


L×10pcs  
M8\*16mm

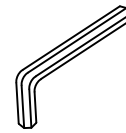
+Spare×2



M×10pcs  
ø8/ø16×2mm

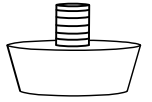


N×1pc  
#5



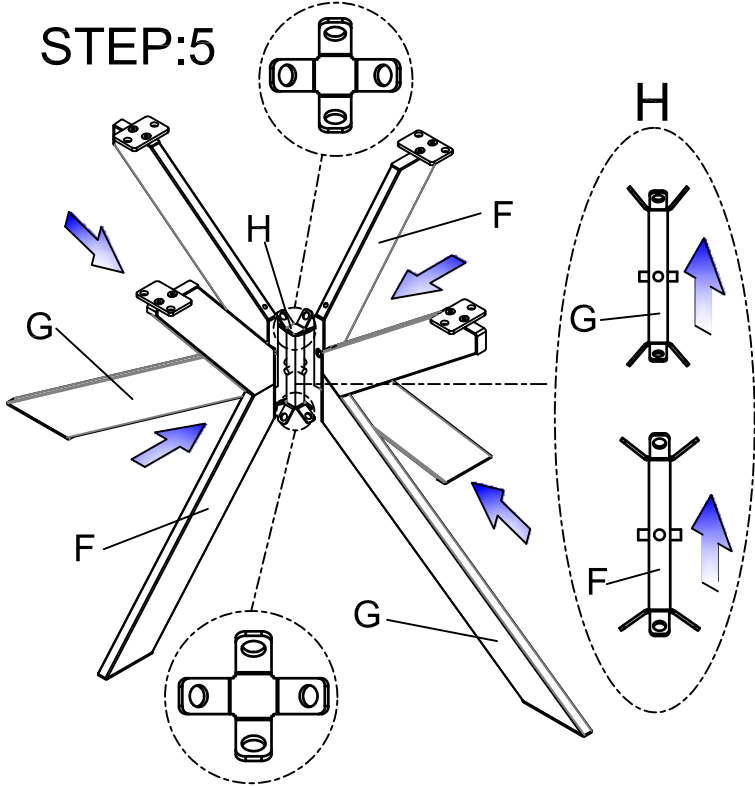
O×1pc  
#6

+Spare×1

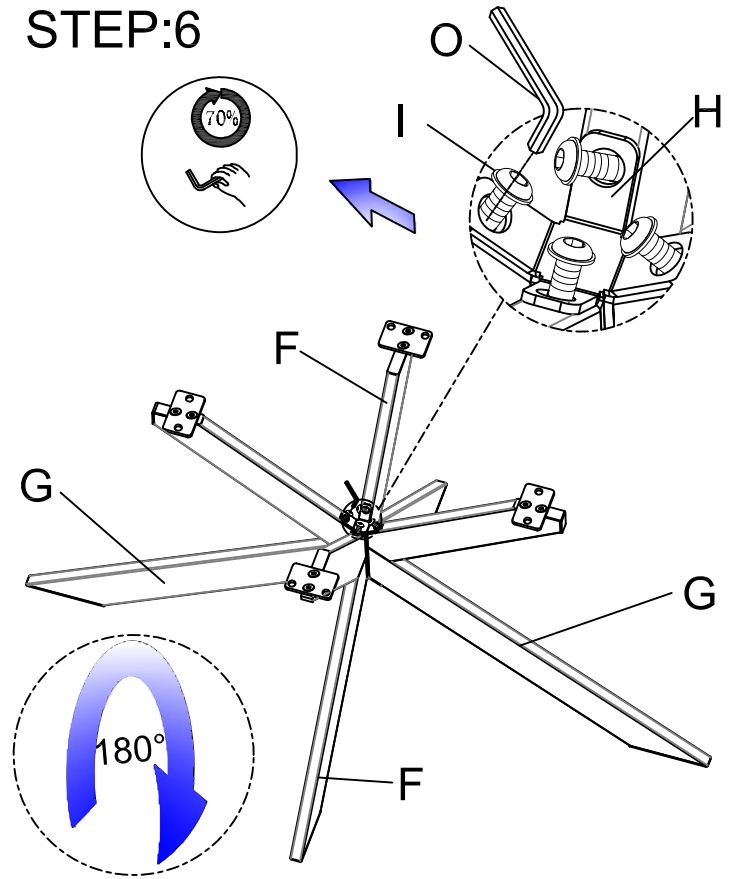


P×1pc

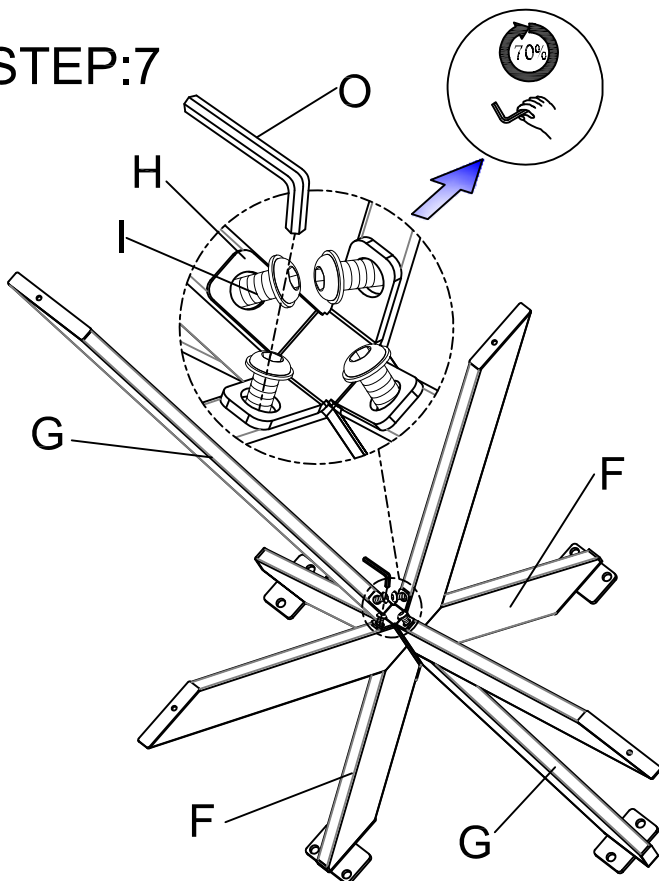
## STEP:5



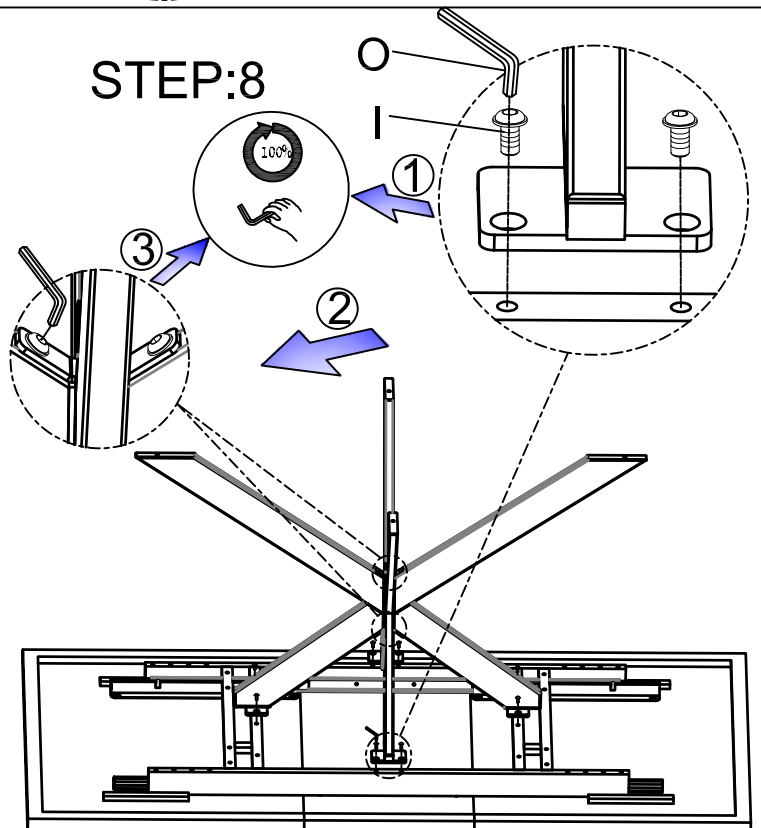
## STEP:6



## STEP:7

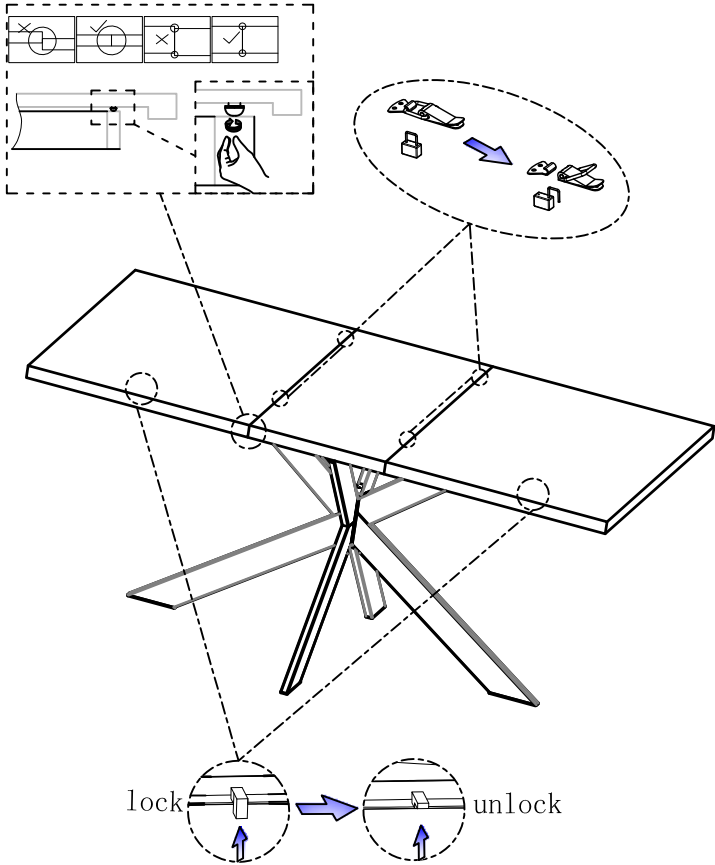


## STEP:8

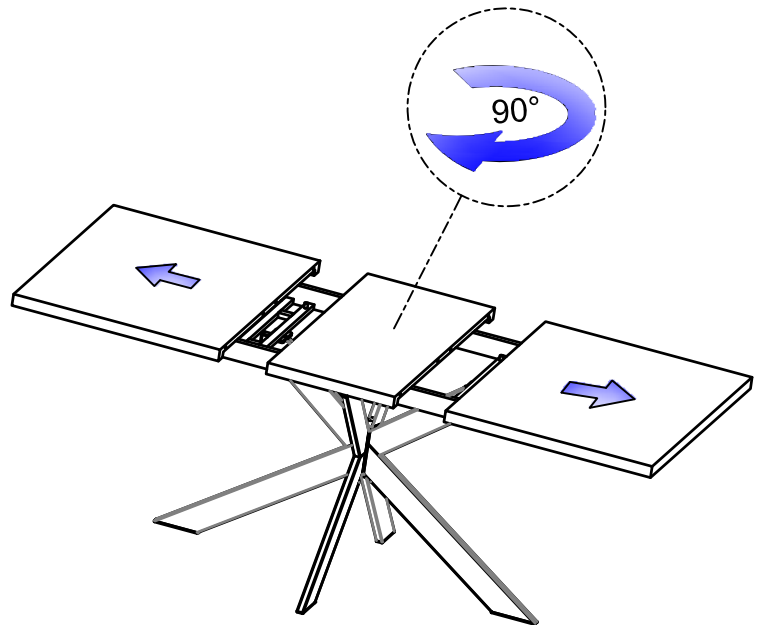


# ASSEMBLY INSTRUCTION

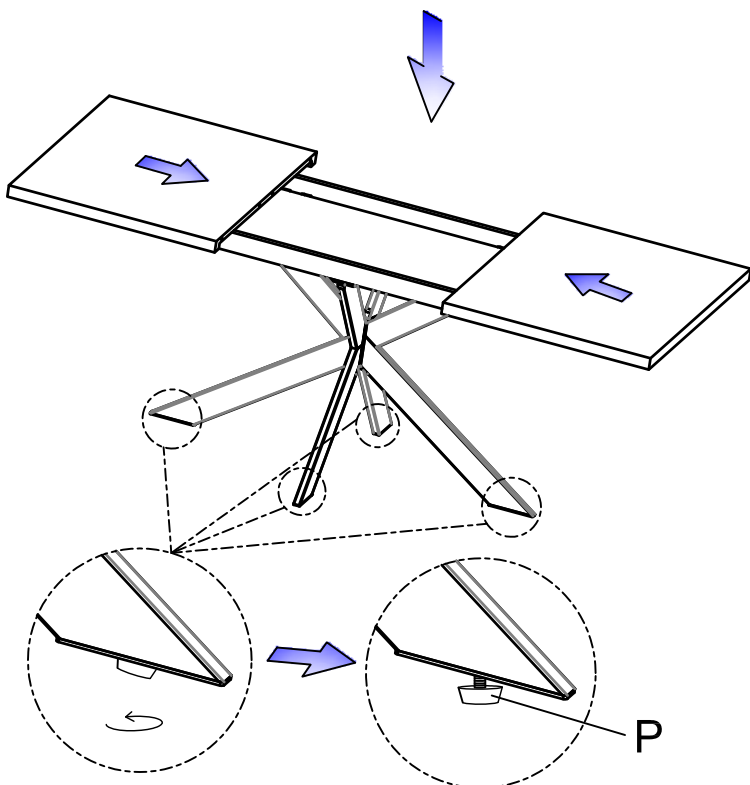
## STEP:9



## STEP:10



## STEP:11



## STEP:12

