

ASSEMBLY INSTRUCTIONS

MIXED MEDIA ARM CHAIR (SET OF 2)

ASSEMBLY

30 MINUTES

1-Person

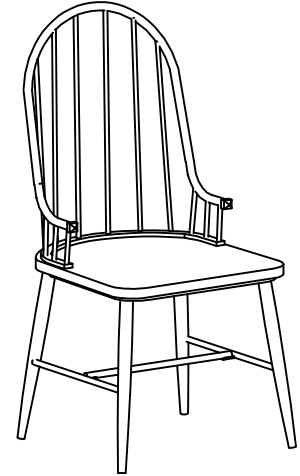
REQUIREMENTS

Assembly Time
Per Stool (Approximate)

Assembly

Thank you for purchasing our product!

Please refer and use this assembly instruction to assemble the product. Contact our customer service department in case there are any missing or damage parts or hardware. Replacement parts are normally shipped within 2 or 3 days.



PRODUCTS PURCHASED THROUGH OUR AUTHORIZED VENDORS ONLY ARE ELIGIBLE FOR REPLACEMENT PARTS.

We appreciate your business!

THIS PRODUCT IS FOR INDOOR AND HOUSEHOLD USE ONLY - NOT FOR COMMERCIAL USE.

ASSEMBLY PREPARATION

1. Remove all packaging materials, staples and packing straps from the carton.
2. Refer to Parts List and Hardware List, and ensure parts and hardware are correct before assembly.
Contact customer service for missing parts.
3. Place all wooden parts on a clean, flat and soft surface (e.g. carpet or rug) to prevent scratch and damage to parts.

SAFETY PRECAUTION:

1. KEEP ALL HARDWARE PARTS OUT OF REACH OF CHILDREN.
2. DISPOSE PLASTIC PACKAGING MATERIAL IMMEDIATELY TO AVOID ANY RISK OF SUFFOCATION TO CHILDREN AND ANIMALS.

TIPS FOR ASSEMBLY:










1. Allow ample room for assembly and in close proximity to where product will be placed.
2. Assemble the product on a surface that does not scratch or damage the exterior gloss and finish of the furniture.
3. Identify all of the parts, hardware and quantities required for each step.
4. During assembly, do not over-tighten any fittings as this may cause damage.
5. DO NOT USE POWER TOOLS TO ASSEMBLE THIS PRODUCT.
6. Always place the product on a flat level surface.
7. Do not sit or stand on the partially assembled product; only use the product for which it is intended.

CARE AND MAINTENANCE

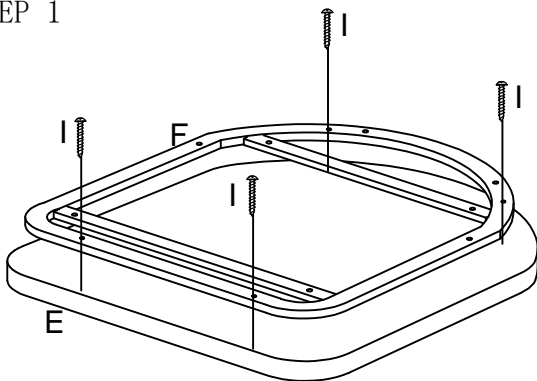
- Wipe clean with a soft, dry cloth; avoid the use of harsh chemicals or household cleaners as they may damage the exterior finish of the furniture.
- Hardware may loosen over time. Periodically, check that all connections are tight; re-tighten as necessary.
- Solid wood is impacted by heat and humidity fluctuations which may cause small joint separations or hairline cracks; place the furniture away from direct sunlight and air conditioning vents, heating vents or units to protect the furniture.

ASSEMBLY INSTRUCTIONS

MIXED MEDIA ARM CHAIR (SET OF 2)

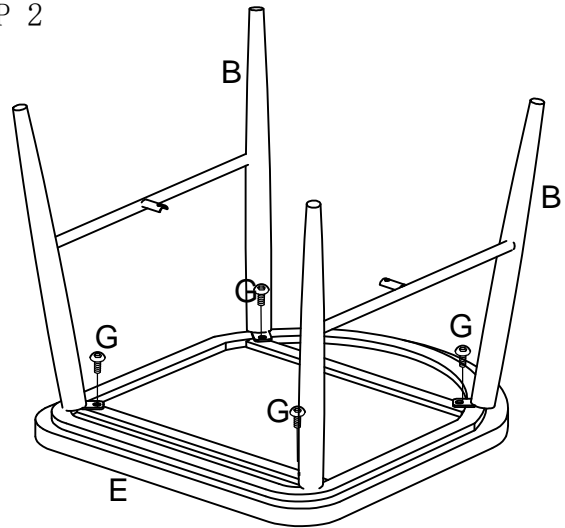
A		BACKREST	2PCS	F		SEAT FRAME	2PCS
B		LEG FRAME	4PCS	G	 1/4 X 12MM	BOLT	12PCS
D		LEG STRETCHER	2PCS	H	 1/4*35MM	BOLT	8PCS
E		WOOD SEAT	2PCS	I		SCREW	8PCS
				J		ALLEN WRENCH	1PC

STEP 1



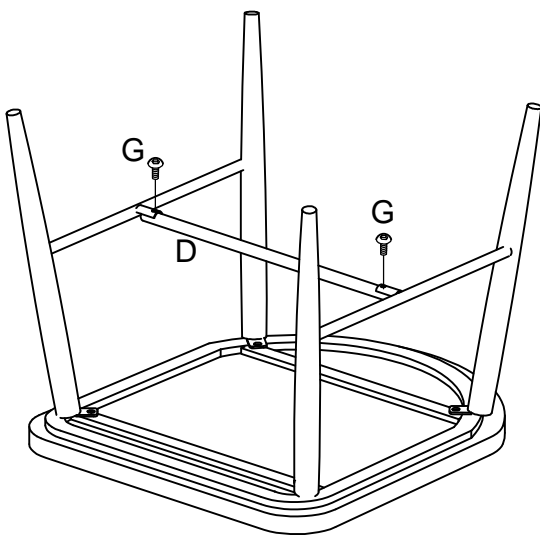
- Place Wood Seat (E) bottom-side up on soft material to prevent scratch and damage.
- Position Seat Frame (F) over (E) as shown. Use a Phillips screwdriver to drive (I) to fasten (F) to (E). Do not tighten (I) completely until all three screws are in place.

STEP 2



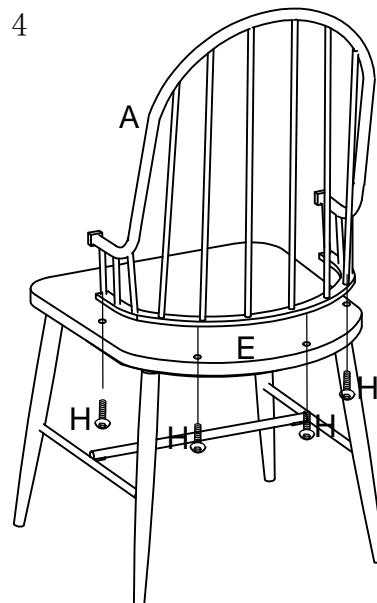
- Use Screw (G) to fasten Leg Frame (B) to (F). Use Allen Key (J) to drive (G). Do not tighten (G) completely until both screws are in place on each leg frame.

STEP 3



- Fit Leg Stretcher (D) across leg frames as shown.
- Use Screw (G) to fasten (D) to Leg Frames. Use Allen Key (J) to drive (G). Do not tighten (G) completely until both screws are in place.
- Set Seat & Leg assembly right-side up.

STEP 4



- Position Chair Back (A) above Wood Seat (E) as shown.
 - Align the screw holes on (A) to the screw holes on (E).
 - Use Screw (H) to fasten (A) to (E). Use Allen Key (J) to drive (H). Do not tighten (H) completely until all of the screws are in place. Do not over-tighten.
- The assembly of the chair is complete.