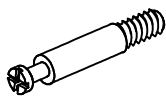


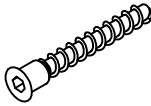

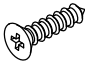


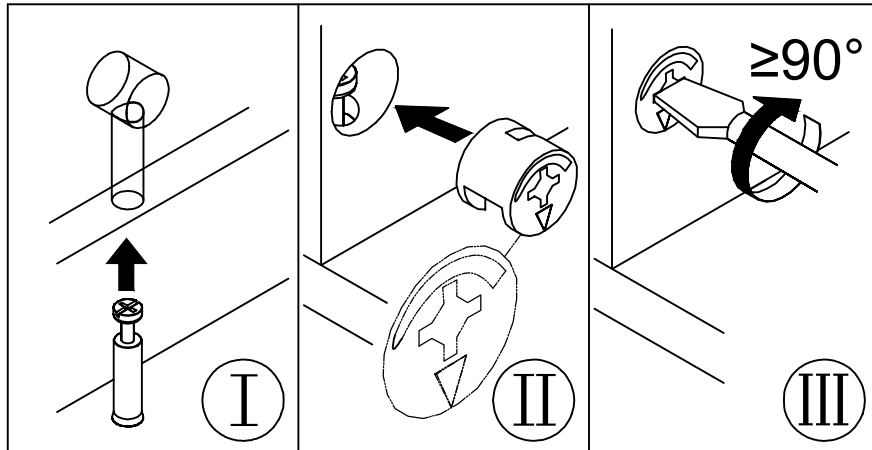


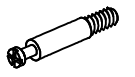
A×16PCS	B×16PCS	C×28PCS	D×4PCS	E×6PCS
 M6×35mm	 Ø15×12mm	 Ø8×30mm	 Ø7×50mm	
F×6PCS	G×8PCS	H×1PC		
 Ø3.5×14mm	 Ø21mm	 M4mm		

1.

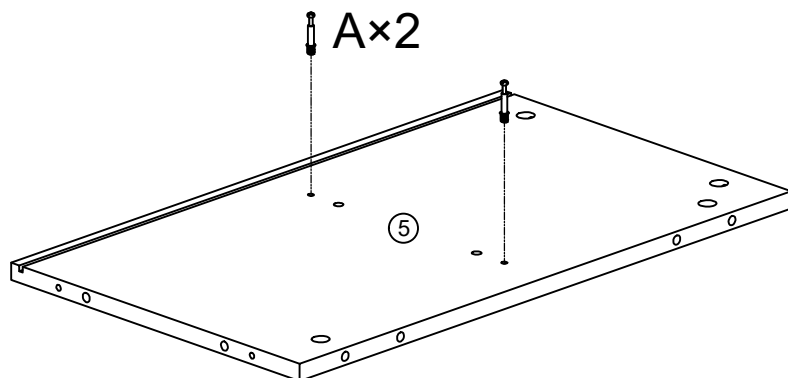
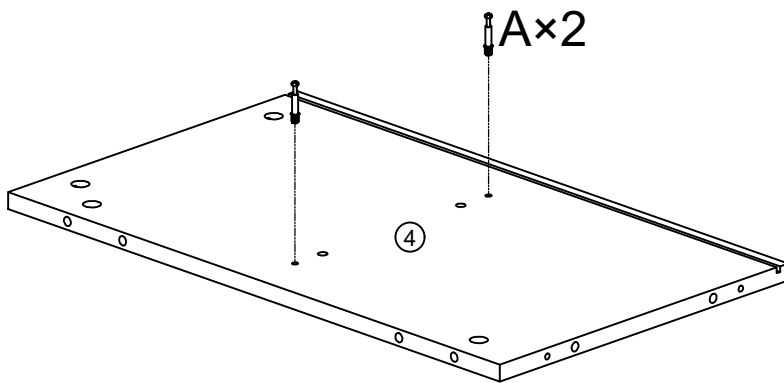




2.

A×4PCS

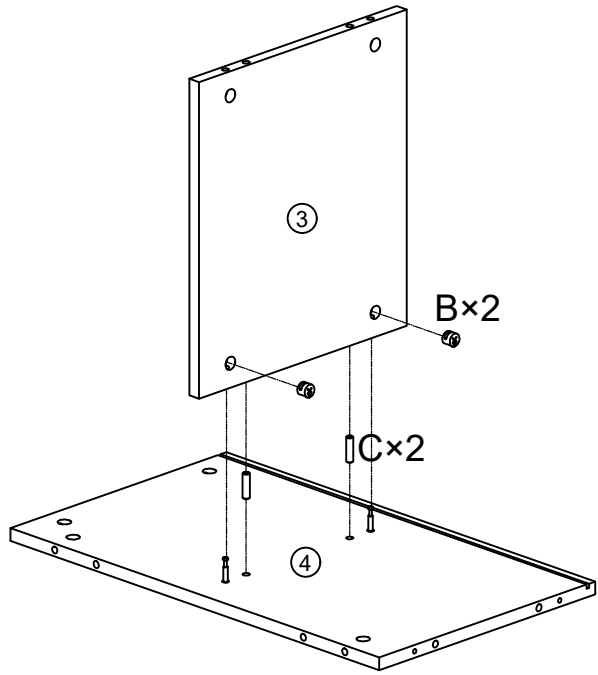




M6×35mm



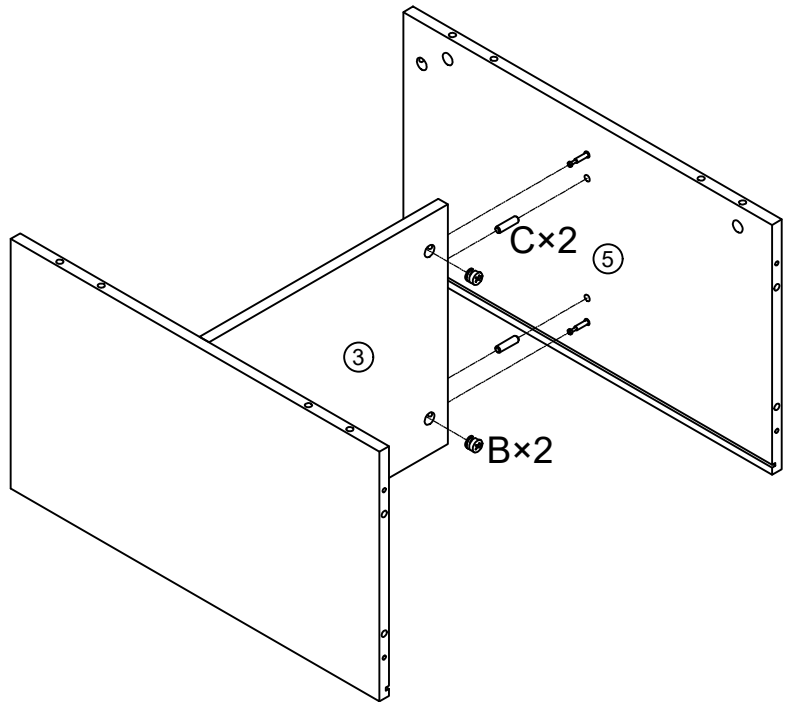
B×2PCS	C×2PCS
	
Ø15×12mm	Ø8×30mm

3.


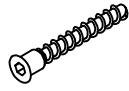



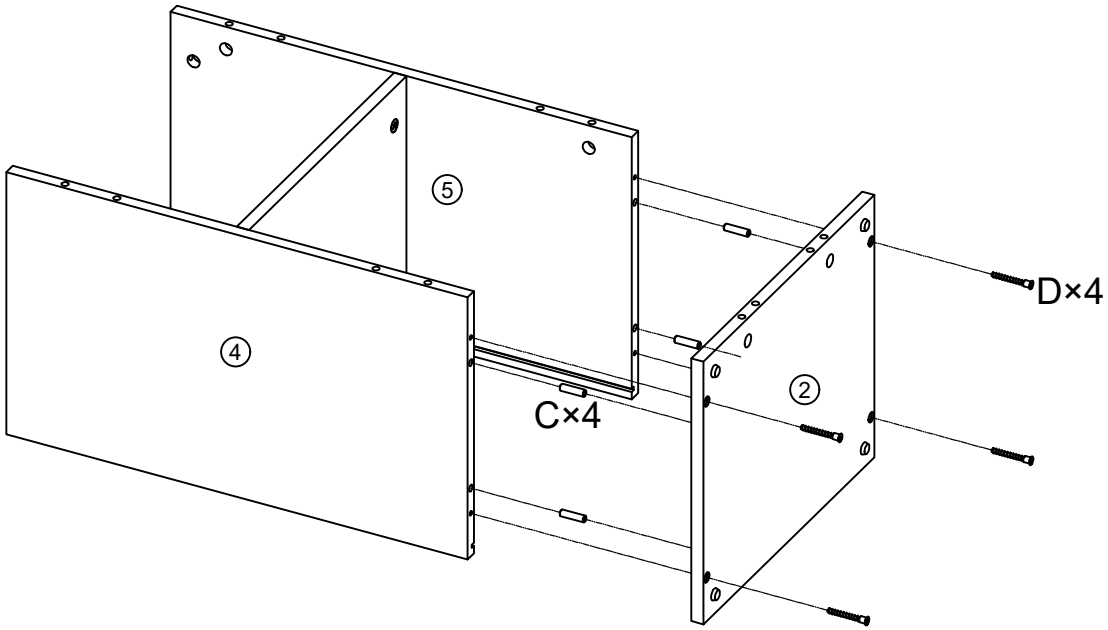
B×2PCS	C×2PCS
	
Ø15×12mm	Ø8×30mm

4.

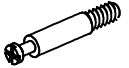



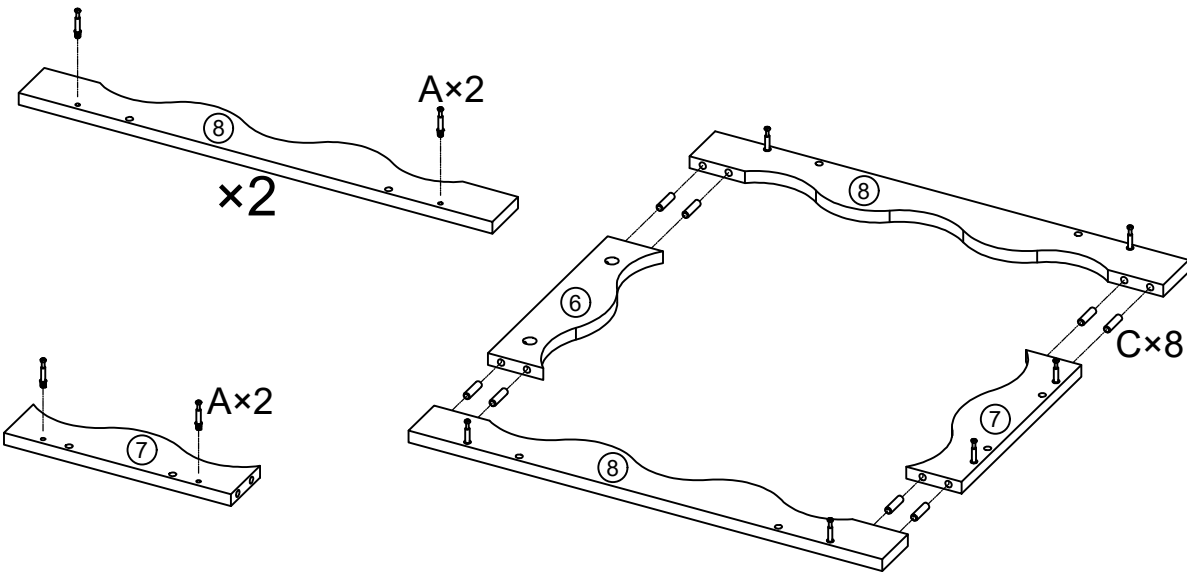
5.



C×4PCS	D×4PCS	H×1PC
		
Ø8×30mm	Ø7×50mm	M4mm



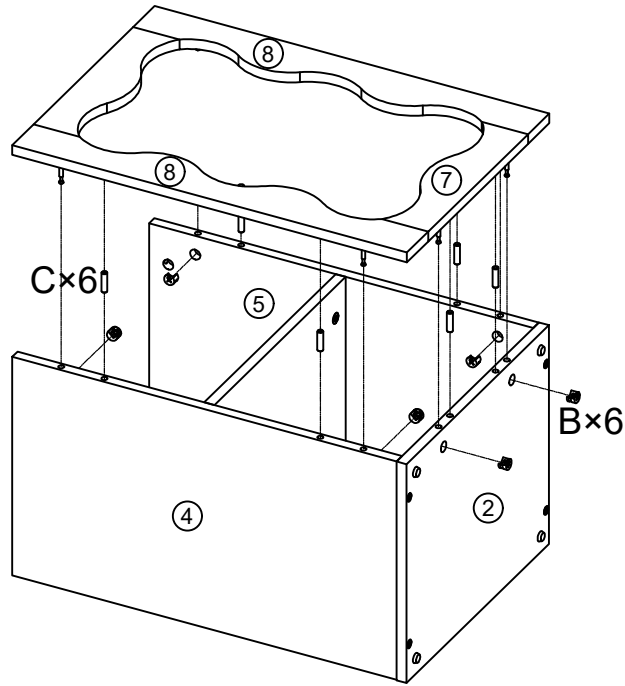
6.

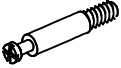
A×6PCS	C×8PCS
	
M6×35mm	Ø8×30mm



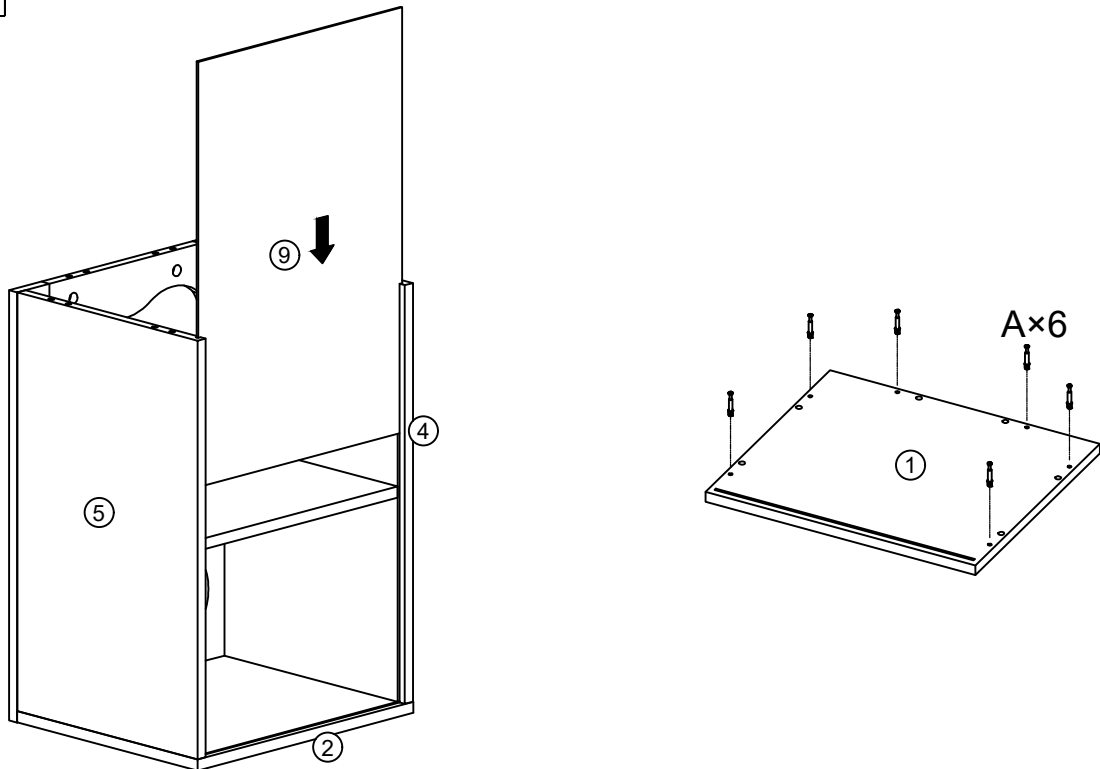
B×6PCS	C×6PCS
	
Ø15×12mm	Ø8×30mm

7.

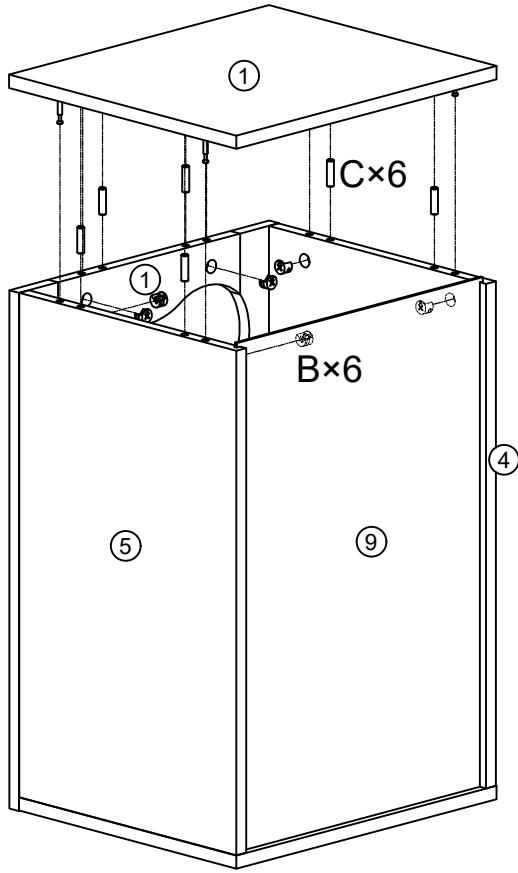




A×6PCS

M6×35mm

8.

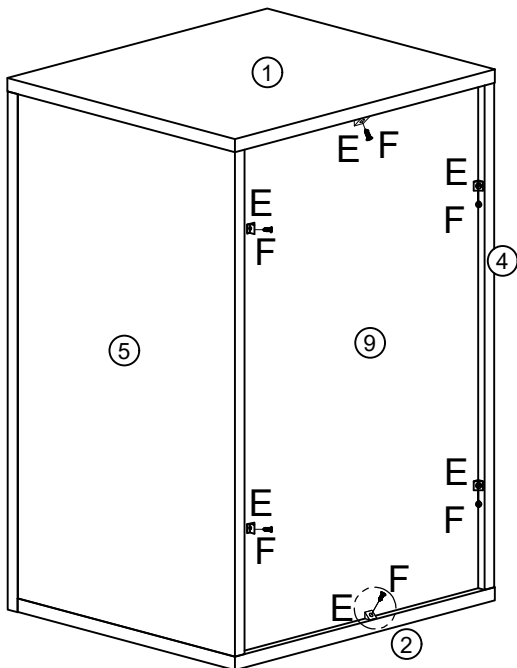




9.

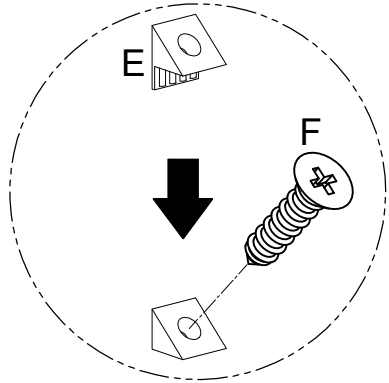


B×6PCS	C×6PCS
	
Ø15×12mm	Ø8×30mm


10.



E×6PCS	F×6PCS
	
	Ø3.5×14mm

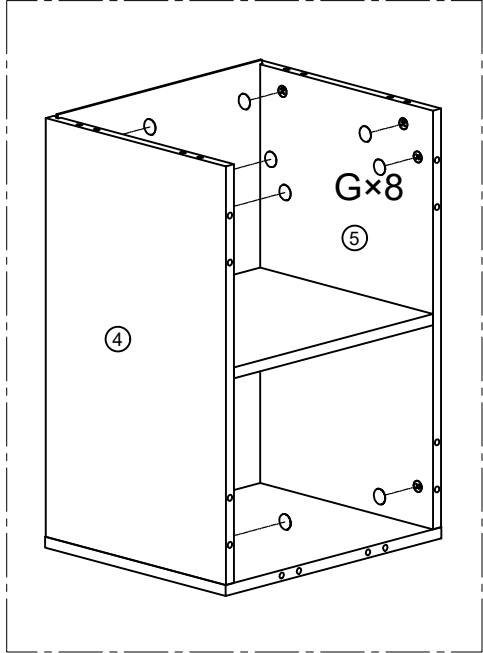
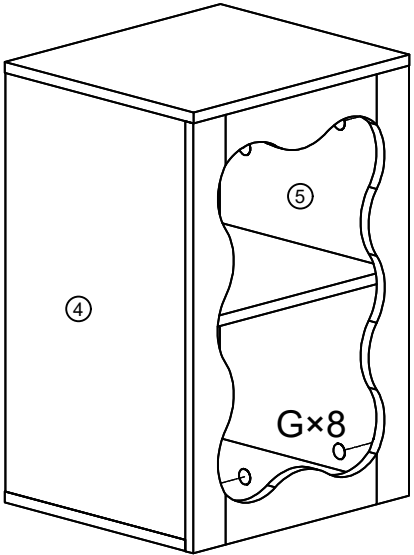


G×8PCS



Ø21mm

11.



12.

