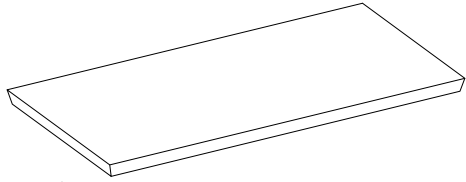
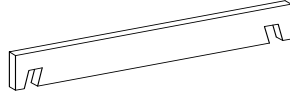


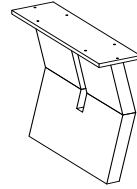
# Product Assembly Instructions



**A** : Top x 1



**B** : Middle Stretcher x 1



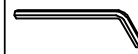
**C** : Leg x 2



**D** : Bolt M6\*30mm x8



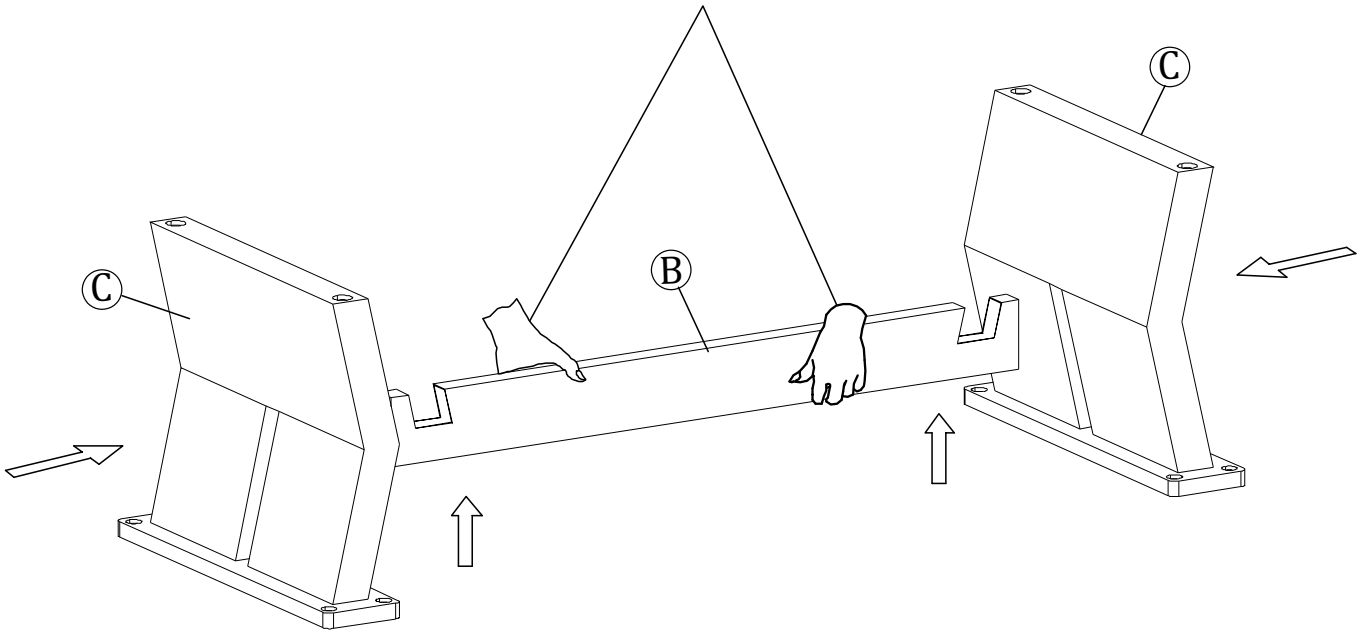
**E** : Washer x8



**F** : Allen key x1

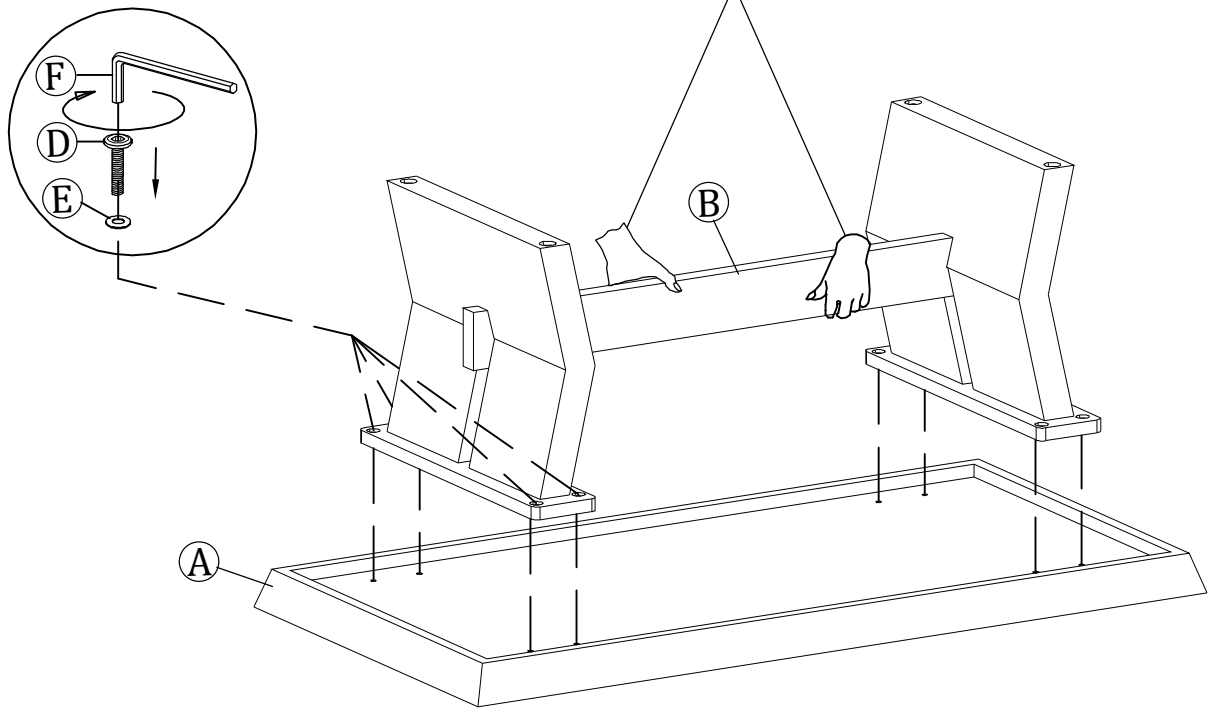
## STEP 1

Hold tight until tighten bolt **(D)**



## STEP 2

Hold tight until tighten bolt ④



## FINISH

