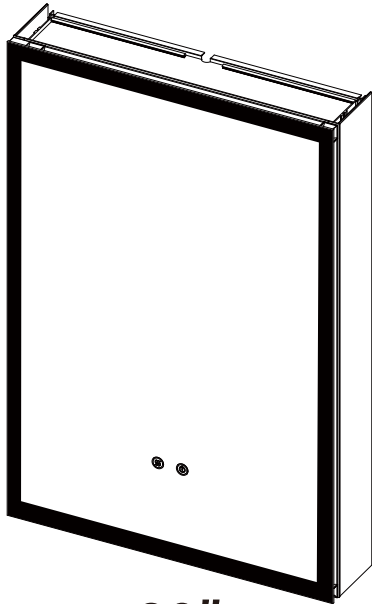
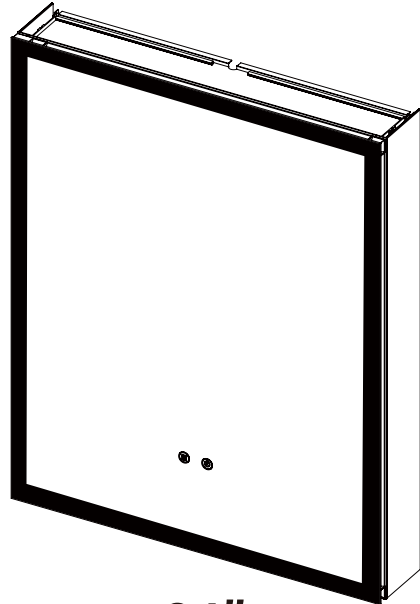


LIGHTED MEDICINE CABINET Lighting and Defogger

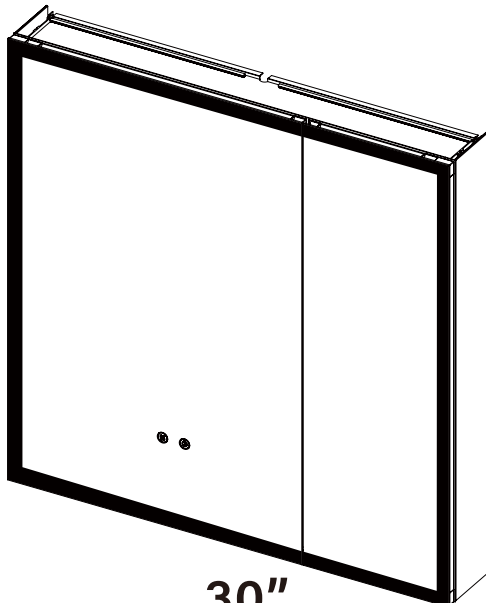
PRODUCT SERIES INFORMATION



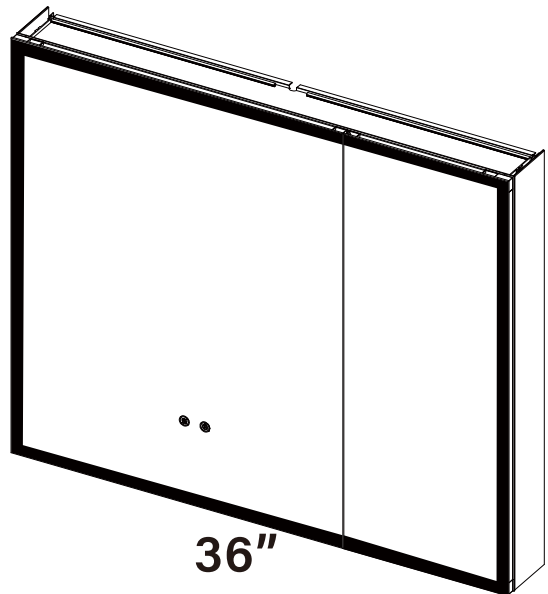
20"



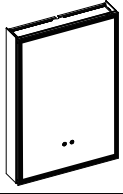
24"



30"



36"

**LIGHTED MEDICINE CABINET** Lighting and Defogger**IMPORTANT SAFETY INSTRUCTIONS**

When using an electrical furnishing, basic precautions should always be followed, Requires two(2) person in installation.

**DANGER**

READ AND FOLLOW ALL INSTRUCTIONS BEFORE USING THIS MIRROR CABINET

**WARNING**

To reduce the risk of burns, fire, electric shock or injury to persons. Use this furnishing only for its intended use as described in these instructions. Do not use attachments not recommended by the manufacturer. Never drop or insert any object into any opening. Do not use outdoors.

**WARNING**

Risk of electric shock. Connect this furnishing to a properly grounded circuit only. See Grounding instructions.

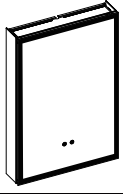
GROUNDING INSTRUCTIONS:**WARNING**

This product must be connected to a grounded metal, permanent wiring system, or an equipment-grounding conductor must be run with the circuit conductors and connected to the equipment-grounding terminal or lead on the product.

An Electrical option cabinet must be wired to a 20 Amp GFI (Ground Fault Interrupter) protected circuit when used in bathrooms and all other locations required by the National Electric Code.

NOTE: To ensure the normal use of product, it is required to set out wires as per the regulations of IEE. The product is only applicable to the indoor installation. The installation must be executed by a professional electrician, wrong installation may lead to product damage and personal injury.

PLEASE SAVE THESE INSTRUCTIONS FOR FUTURE REFERENCE



LIGHTED MEDICINE CABINET Lighting and Defogger

ELECTRIC CONNECTIONS

ALL WIRING SHOULD BE DONE BY A QUALIFIED LICENCED ELECTRICIAN



WARNING: Shut off power before wiring the mirror.



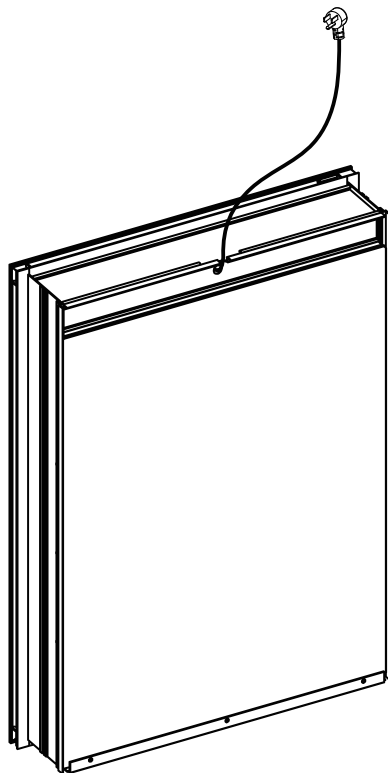
WARNING: An Electrical option mirror must be wired to a 20 Amp GFI (Ground Fault Interrupter) protected circuit when used in bathrooms and all other locations required by the National Electric Code.



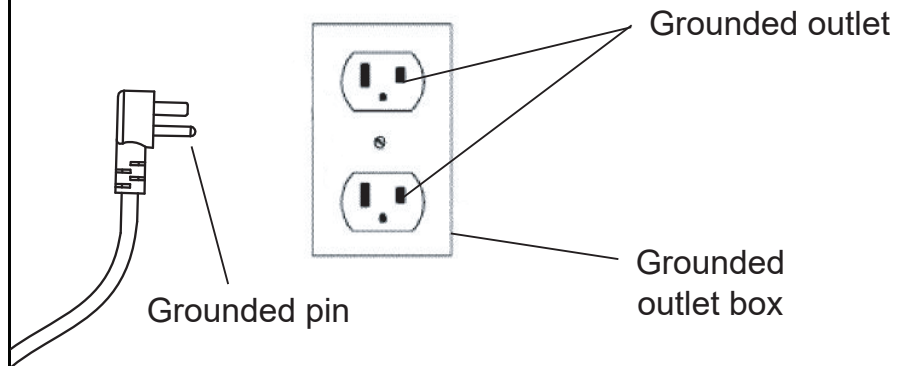
WARNING: This mirror must be connected to a grounded, metal permanent wiring system or an equipment-grounding conductor must be run with the circuit conductors and connected to the equipment grounding terminal or lead on the mirror.



CAUTION: Requires 120 VAC 20 Amp GFI protected circuit.

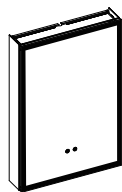


Electric wiring: Be sure to provide enough wire to make the proper and safe connection to the Field/Power.



MIRROR FEATURES

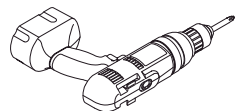
- Copper free silver mirror
- High output LED lighting:
CRI 90+, 2700-6400K CCT, IP44
- Color Temperature changing touch switch for surface LED
- Recess mount or wall surface mount
- Defogger



INSTALLATION

LIGHTED MEDICINE CABINET Lighting and Defogger

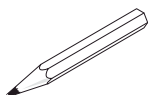
TOOLS REQUIRED FOR ASSEMBLY



Electrical Drill



1/8" Drill Bit



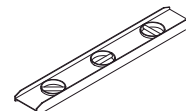
Pencil



Phillips Screwdriver



Tape Measure



Level

PARTS INCLUDED



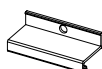
SCREW
(x6~x8)



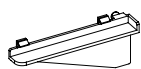
WALL PLUG
(x6~x8)



BOTTOM MOUNTING BRACKET
(x1)



TOP MOUNTING BRACKET
(x2~x4)



SHELF SUPPORT BRACKET
(x6)



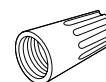
GLASS SHELF
(x3)



GLASS SIDE PANEL SCREW
(x4)



GLASS SIDE PANEL
(x2)



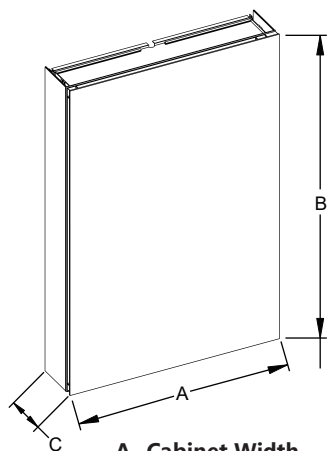
WIRE CONNECTOR
(x3)



NOTE: Determine overall mirror dimensions before installation.
Requires two(2) person in installation.

Accessories and parts may vary from the picture above. Depends on the product model and size.

DIMENSIONS



A- Cabinet Width
B- Cabinet Height
C- Cabinet Depth

	A	B	C	Rough in size
	20"	30"	4-5/8"	19-1/4"x29-1/4"x3-3/4"
	24"	30"	4-5/8"	23-1/4"x29-1/4"x3-3/4"
	30"	30"	4-5/8"	29-1/4"x29-1/4"x3-3/4"
	36"	30"	4-5/8"	35-1/4"x29-1/4"x3-3/4"

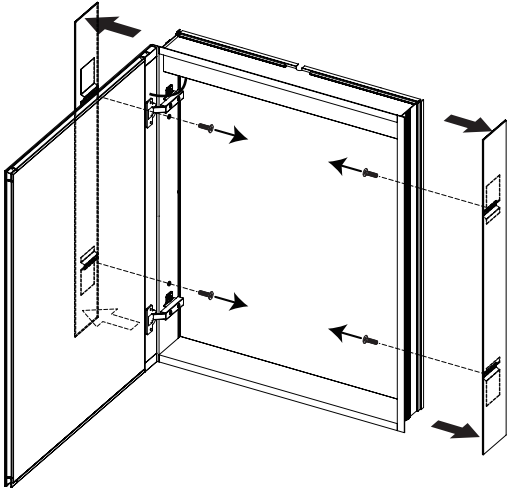
NOTE: Please use rough in size for recess mounting installation(wall cut-out). All dimensions and specifications are nominal and may vary. Use actual products for accuracy in critical situations.


NOTE: All rough-in dimensions for reference only!

PRIOR TO MOUNTING

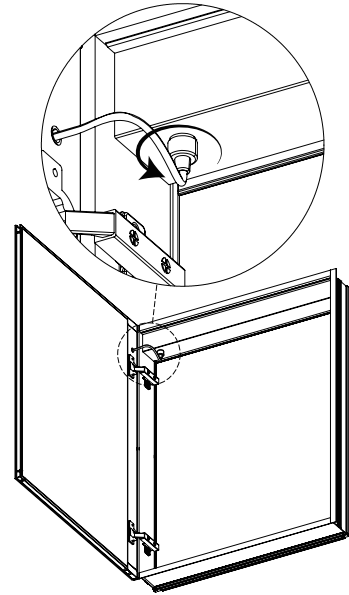
*** Remove the Door(s) prior to mounting your cabinet(s)**

- 1** Carefully remove side mirror panels for recess mount installation.

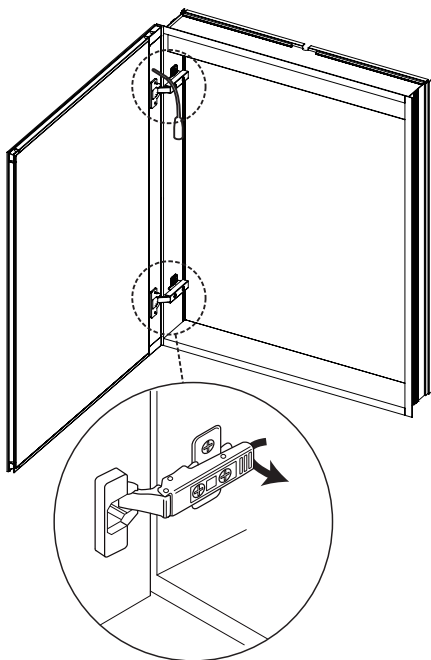


 For recess mount only!

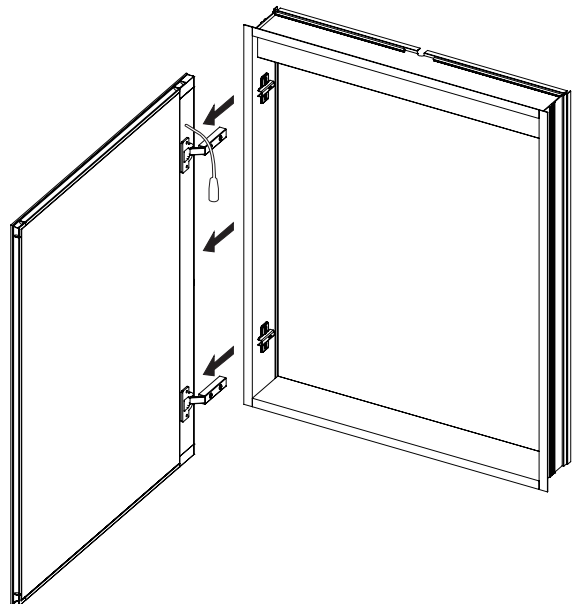
- 2** Remove door(s) prior to mounting your cabinet. Start with unplugging the door from the cabinet.



- 3** While supporting the door release (the lever under the hinge arm), slide the door off the frame.

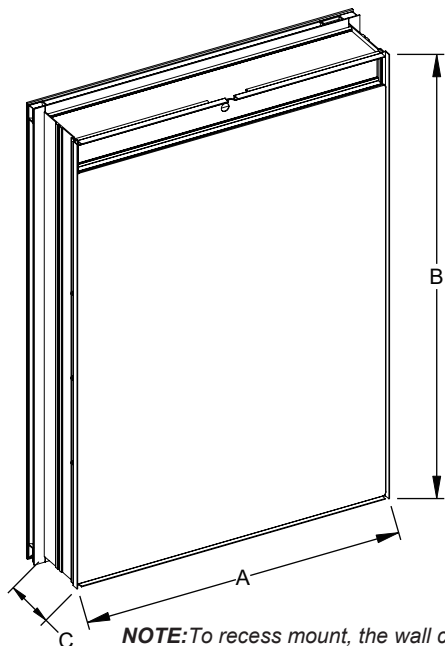


- 4** Take off the door(s) carefully and lay it down on a safe area.



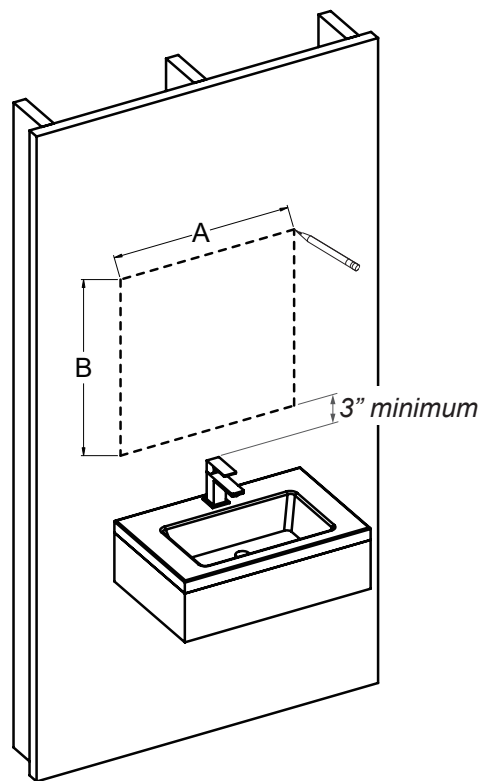
RECESS INSTALLATION

- 1** Refer to "dimensions" on page 4 to measure Rough in size.

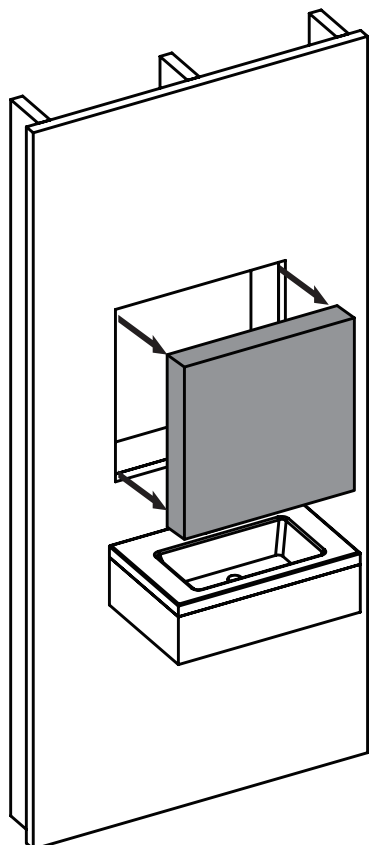


NOTE: To recess mount, the wall cavity must be framed and the cabinet secured to framing studs. Reroute electrical or water supply lines from the cavity. Consult a professional if drain or vent piping is encountered, or if the wall is load-bearing.

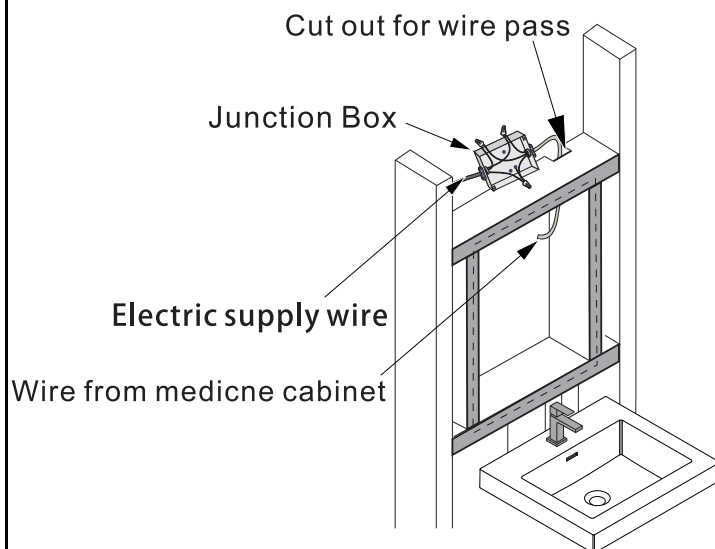
- 2** Draw the perimeter of the cabinet on the wall.



- 3** Cut the hole as marked dimension with suitable tool.




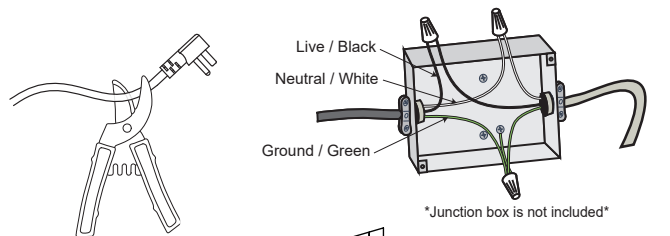
- 4** Frame the opening for the cabinet based on the measurements.



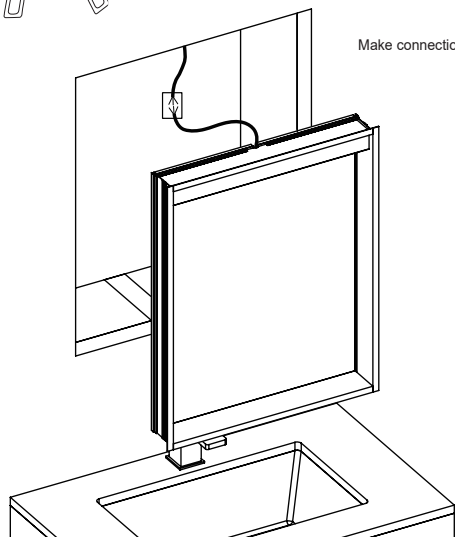
RECESS INSTALLATION

5 First cut off the power plug, then use the WIRE CONNECTOR connect to external power supply.

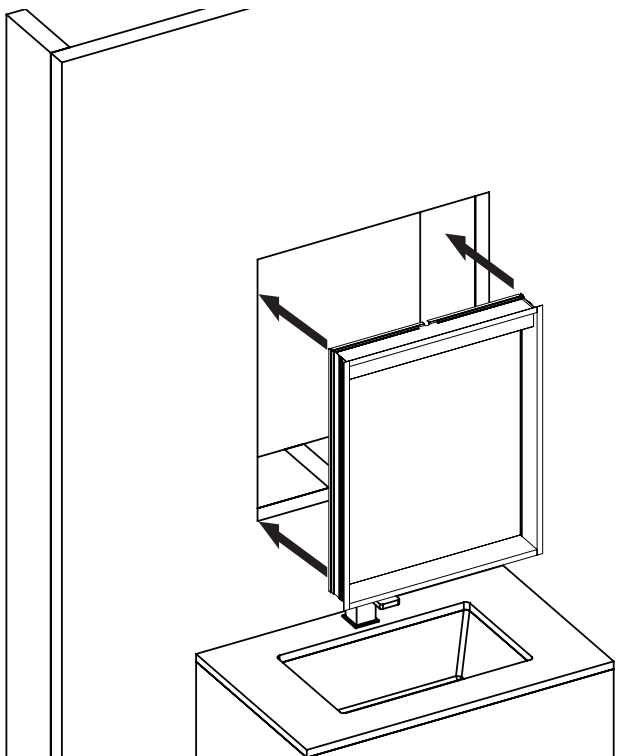
 **WARNING:** Turn off the power before wire connection!



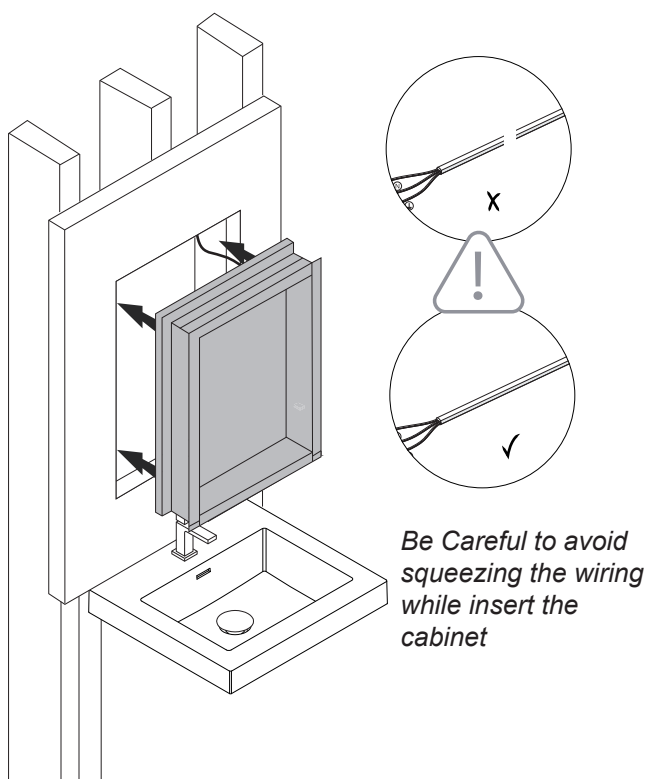
Make connections
Neutral to white
Live to black
Ground to green.



6 Position cabinet in cut out opening.

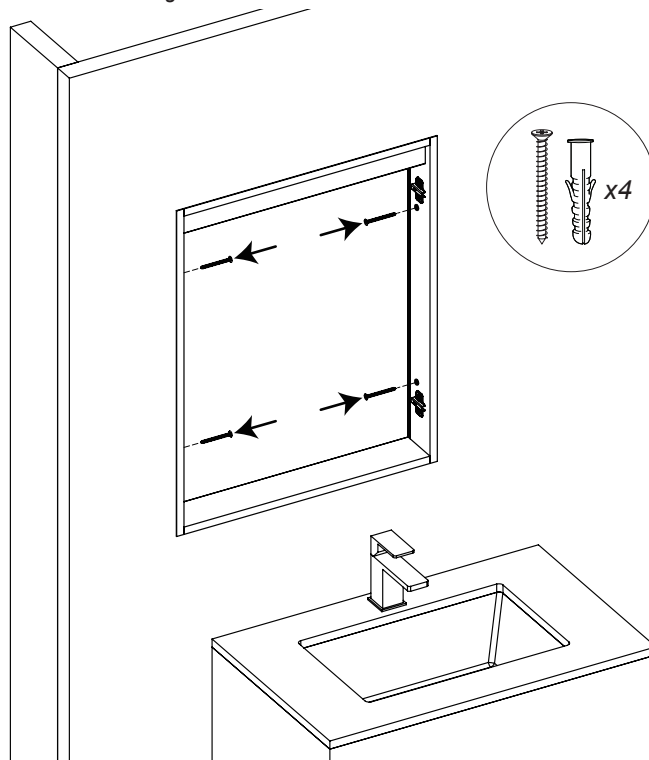


7 Connect electrical wires and then place the cabinet between the wall studs.



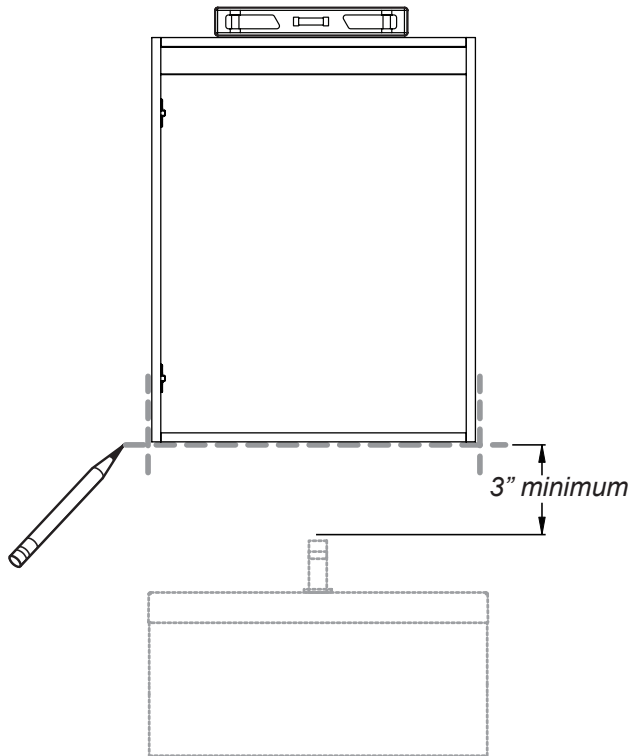
8 Affix using hardware screws into the studs.

NOTE: For wood stud wall, you need to use screw to fix the cabinet. For brick/concrete/stone/tile wall, you need to use wall plug and screw together to fix the cabinet.

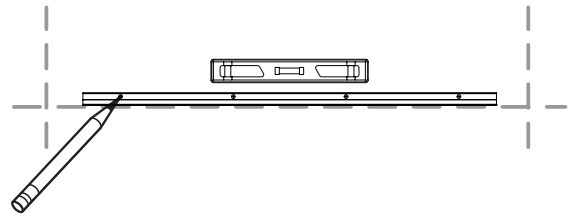


SURFACE-MOUNTED INSTALLATION

1 Level and mark the cabinet's location on the wall.

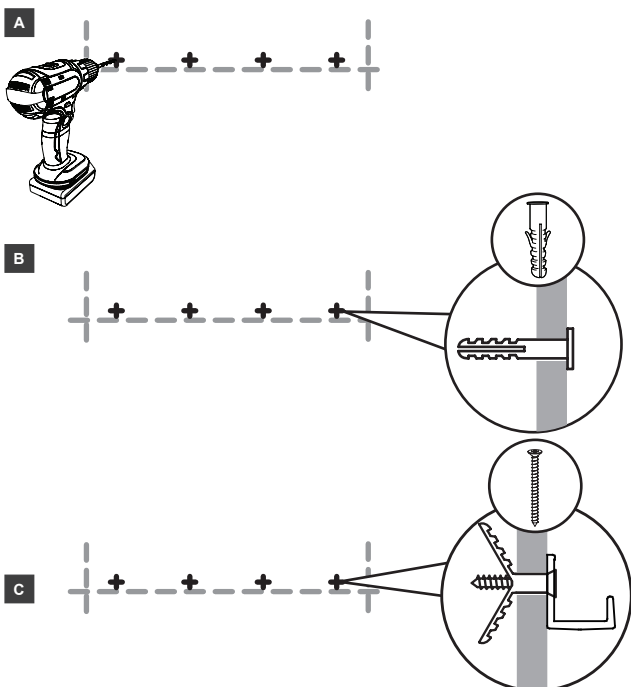


2 Mark the position of the Bottom Mounting Bracket and Punch.



Bottom mounting brackets must be attached to furring strip/channel or wall studs

3 Punch holes in the mark, put in Wall Plug, fix Bottom Mounting Bracket to the wall with Screw.

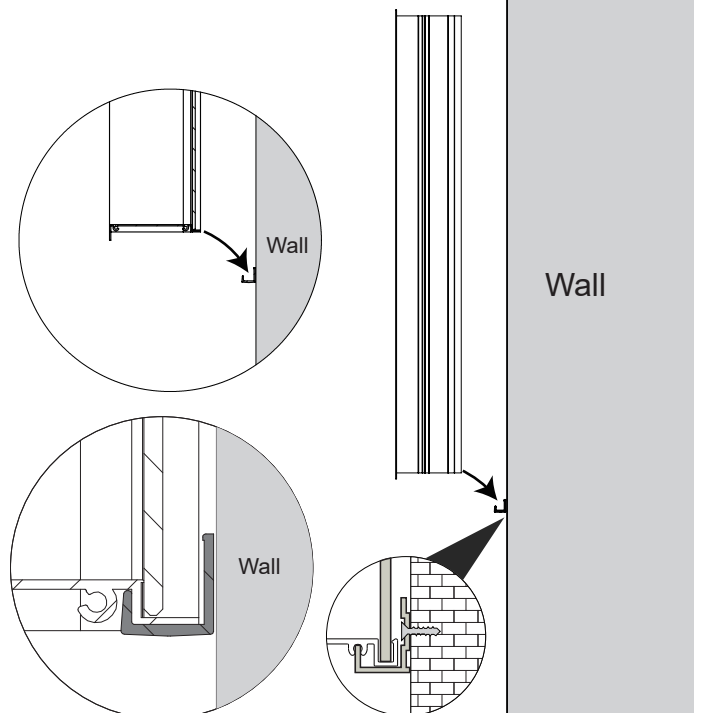


Attach bottom bracket to wall.

4 With assistance, to rest the cabinet on the mounting bracket and hold in place.

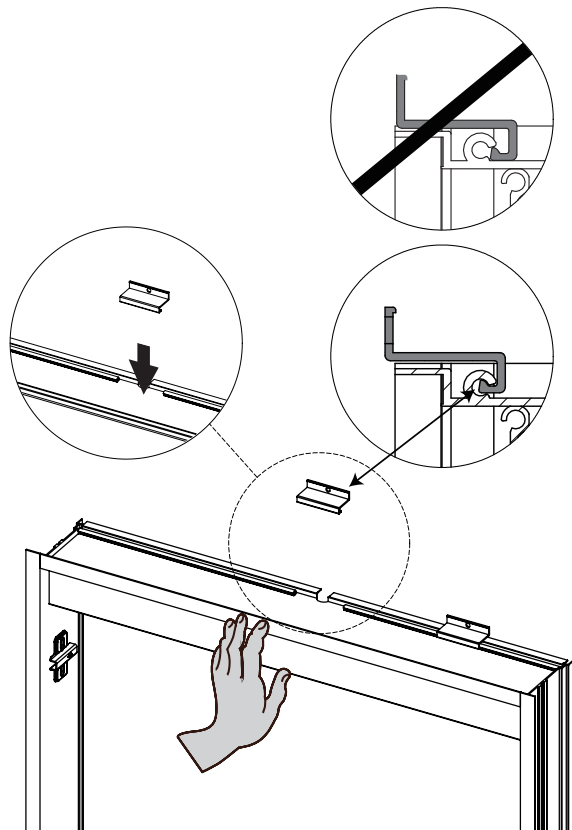


Make sure cabinet is leveled and fully inserted into the groove of the bottom bracket.

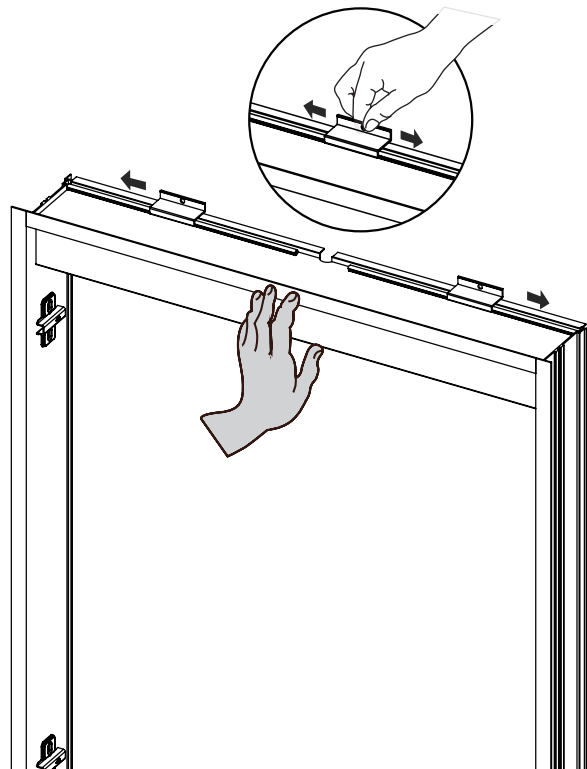


SURFACE-MOUNTED INSTALLATION

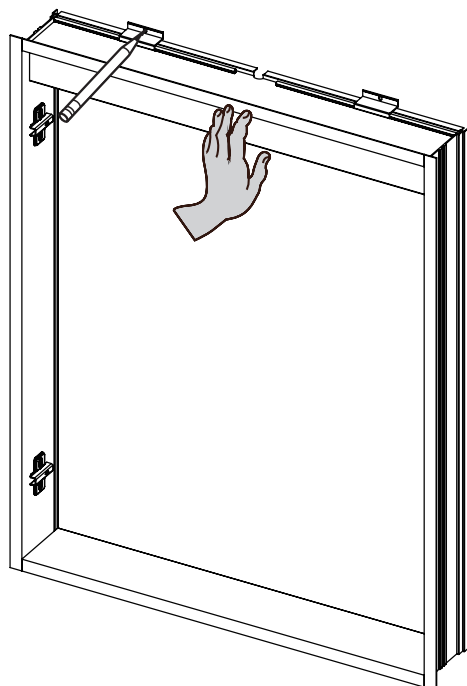
- 5** Insert top mounting bracket into the top of the cabinet.



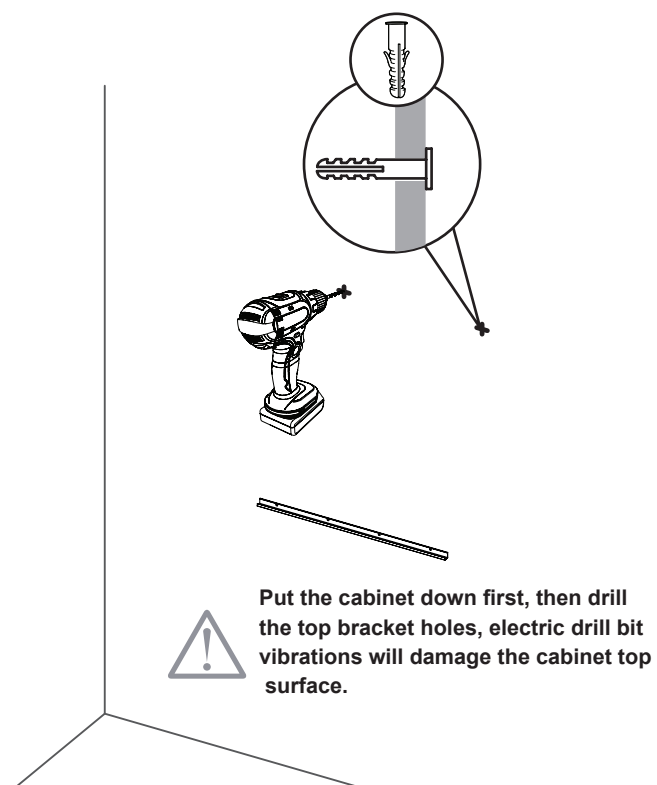
- 6** Make sure top brackets are locked in the grooves.



- 7** Adjust the position of Top Mounting Bracket and mark the holes with a pencil



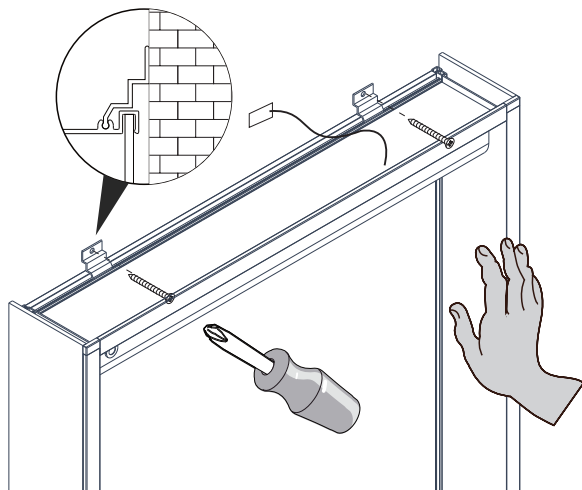
- 8** Remove the cabinet, drill holes according to the marked position, and put in Wall Plugs.



SURFACE-MOUNTED INSTALLATION

9

Put the cabinet on the bottom mounting bracket and hold the place, then insert the top mounting bracket into the top of cabinet, fix the top mounting brackets to the holes with screw. (repeat step 4-6)



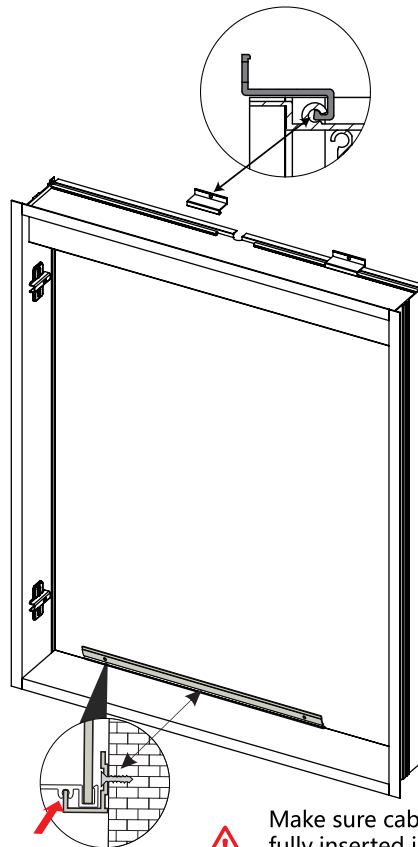
NOTE: Vibrations occur in the electric drill, use Philips Screwdriver to protect your cabinet top surface.



Top mounting brackets must be attached to furring strip/channel or wall studs.

10

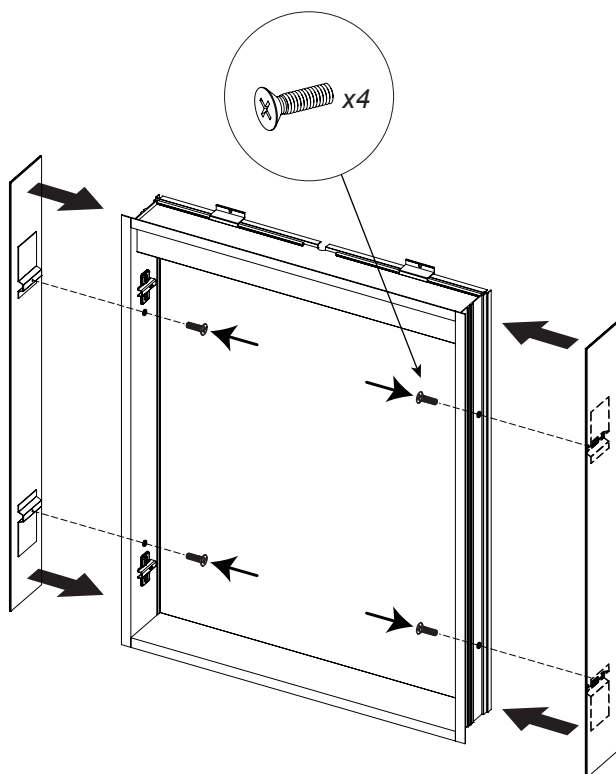
Test the fit of the cabinet before Final assembly.



Make sure cabinet is leveled and fully inserted into the groove of the bracket.

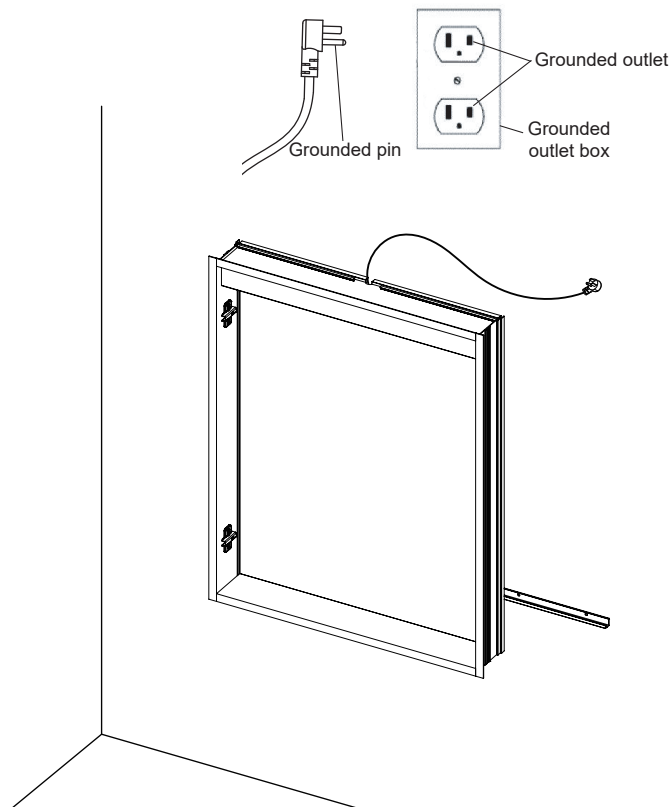
11

Install the side mirrors

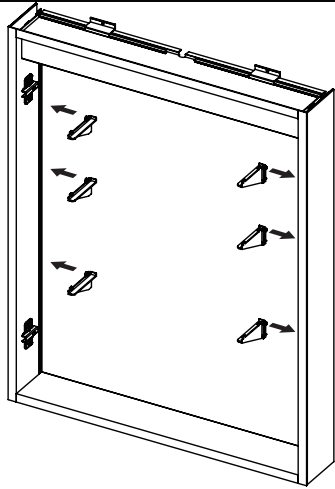


12

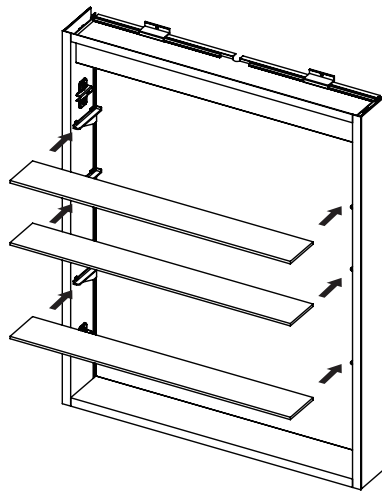
Put the plug into the socket



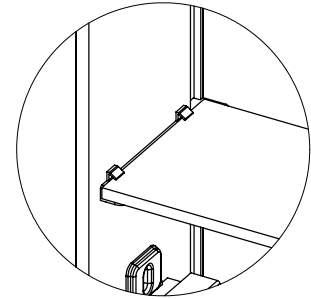
GLASS SHELF INSTALLATION



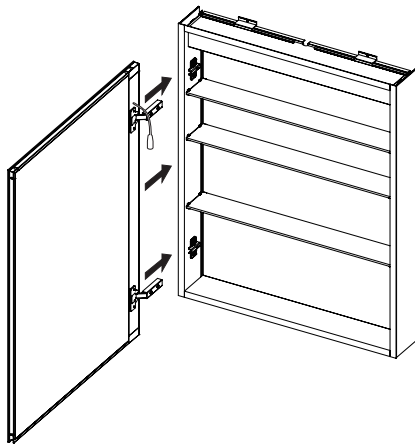
Insert clear snap in shelf clips into holes on the sides of the cabinet.



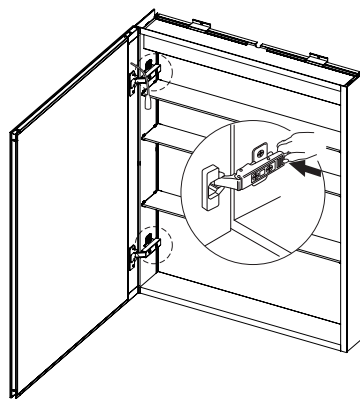
Insert the Glass Shelf along the board clip slot



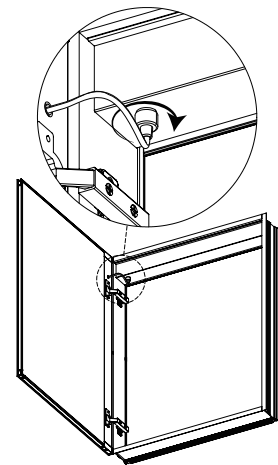
MIRROR DOOR INSTALLATION



1. Slide the doors into place by pinching the end of the hinges.
2. Plug the door into the cabinet.



Press the end of the hinge to match the hinge seat



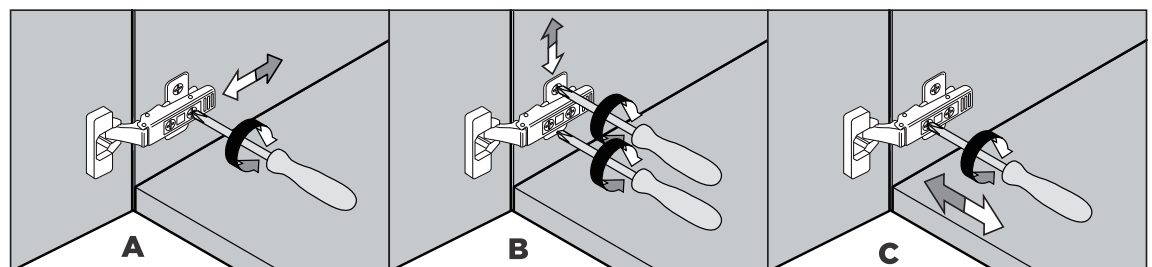
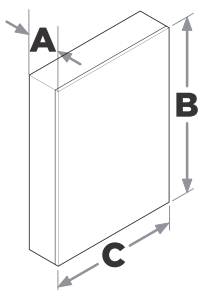
Installing wiring terminals

Door Adjustment / Door Removal

OPTIONAL DOOR ADJUSTMENT

Doors may need to be adjusted after the initial shipping of the cabinet. The cabinet doors have a three-way adjustment feature. Height, side-to-side, level and depth can be adjusted. With the hinge slightly closed you can access the middle screw for up/down adjustment.


With the hinge fully extended you can access the front and back screws. These screws will move the door side to side and in and out.




TOUCH BUTTON AND OUTLET CHARGER

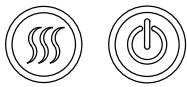
How to use Defogger Switch and Dimmer Switch :

Left touch Sensor

 ON/OFF Anti-fog(The defogger power will automatically turn off after an hour)
light brightness change from 10% to 100% by holding

Right Touch Sensor

 ON/OFF Lighting
light temperture change from 2700K to 6500K by holding



“Switch” sign

OPERATION

1. Touch the sensor button to turn ON the light.
2. Touch and hold the light ON sensor button to change the light temperture from 2700K to 6500K. Release the botton when the light temperture reaches the desired color.
3. Touch the sensor button to turn ON the defogger
4. Touch and hold the defogger ON sensor to dim the light.Release the buttom when the light reaches the desired brightness setting.
5. Inside LED Light with door switch sensor makes it a lighted medicine cabinet when you open the door. Open the door, Inside LED Light ON.

The mirrors are equipped with a memory feature to preserve the previous brightness setting.

How to use Outlet and USB Charger :

This lighted medicine cabinet contains outlet and USB chargers.

1. Outlet Charger is 15Amp 110V AC to power shavers, or toothbrushes, but do not use it for Hair dryer, it may blow a circuit.
2. USB ports provide 4.2Amp 5V DC for charging purpose only, not for data transfer.

***Suggestion:** Turn off the mirror power supply if you don't use it for a long time.

USE AND MAINTENANCE

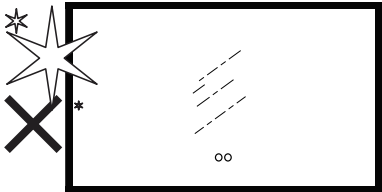
WARNINGS:

1. Please do not use if you found the mirror cabinet has been broken.
2. Never put any sharp or heavy material on the mirror surface, other wise the glass mirror will be broken and body injury accidents may occur .
3. Turn off the power switch in storm lightning weather to avoid electric parts damage.

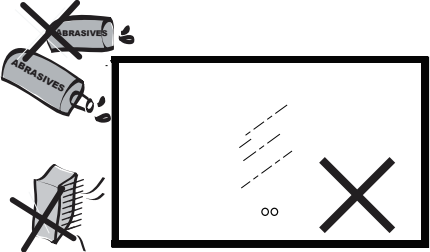
Use and Maintenance:

CAUTION:

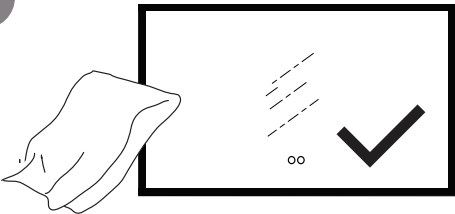
● USE

<p>1</p> 	<p>1. To avoid damage, do NOT knock the mirror cabinet with any hard objects;</p>
--	---

● CLEANING

<p>2</p> 	<p>2. Do NOT clean the mirror cabinet with caustic cleaner. Do NOT wipe the mirror cabinet with Bristle brush;</p>
---	--

● MAINTENANCE

<p>3</p> 	<p>3. For daily maintenance, please use soft cloth and mild cleaner to clean the mirror cabinet.</p>
---	--