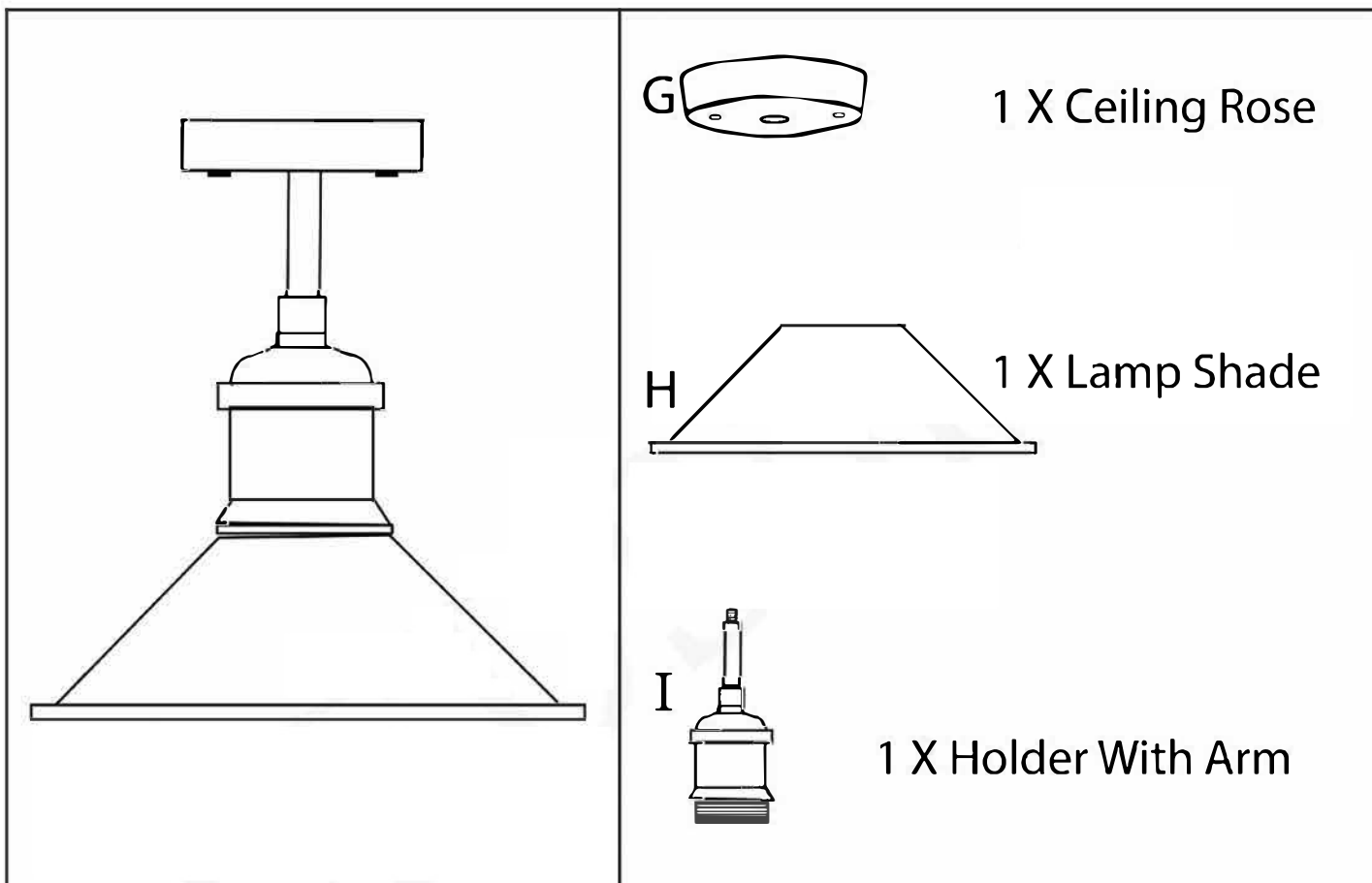


Flush Mount Ceiling Lamp- Fitting instruction



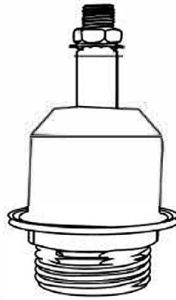
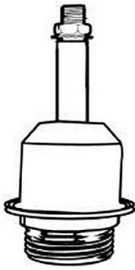
A		1
B		2
C1		1
C2		1
D		2
E		1
F		2

Flush Mount Ceiling Lamp-Fitting instruction

<p>1</p> <p>D1</p> <p>D1</p> <p>A</p> <p>D2</p> <p>D2</p> <p>D1</p> <p>A</p> <p>D2</p>	<p>4</p> <p>A</p> <p>N-Blue</p> <p>E-Green</p> <p>L-Brown</p> <p>G</p> <p>E</p> <p>E</p>
<p>2</p> <p>B</p> <p>F</p> <p>D1</p> <p>D2</p> <p>Bracket</p> <p>The cable should come next to the bracket</p> <p>A</p> <p>F</p> <p>B</p>	<p>5</p> <p>G</p>
<p>3</p> <p>C1</p> <p>C2</p> <p>G</p> <p>I</p> <p>G</p> <p>H</p> <p>I</p>	<p>6</p> <p>G</p> <p>I</p> <p>H</p>

Compatible Holders and Lamp Shade

Lamp Holder - H



Lamp Shade - J

