

## **WARRANTY**

We strive to offer high-quality products, and we also try our best to satisfy each and every customer that orders from us with product or service as needed. We provide 30 days warranty starting from the time you receive the item. Each customer must provide a record of their order such as the order number, or item receipt for any items that are out of the warranty period you may also still receive replacement parts by purchasing them with our company if they are available.

**Are you having difficulty  
with assembly? Missing parts?**

**PLEASE DON' T RETURN THE ITEM TO  
RETAILER**

**For help call or email with your order No.**

**Customer service:**

**888-214-6610**

**Open Monday through Friday**

**9:00AM-5:00PM CST**

**Email:**

**customerservice@hulalahome.com**

**24h**

**HULALA**  
H O M E



**ITEM NO. OFHT0417**

---

### **NOTE:**

This brochure contains IMPORTANT safty info. Please read and keep for future reference.

---

# MAINTAINANCE AND WARNING

- Keep furniture away from heat.
- Do not clean furniture with harsh cleansers or polish. Do not use detergents, Solvents, abrasives, spray packs or leather cleaner. Use non-color mild soap with warm water clean spills(Mix 1:10 soap to water)
- Do not place furniture under direct sunlight, material will possibly fade over time.
- Do not use on site dry Cleaning machine.
- Children should not climb or jump on the furniture.
- Do not write on furniture without a padded barrier to protect the surface.
- Not for commercial use, For residential use only.

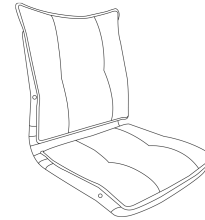


Weight Limitation

**250LBS**

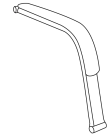
# PARTS LIST

A\*1



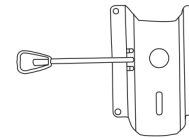
Seat

B\*2



Armrest

C\*1



Bottom machani sm

D\*1



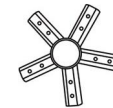
Gas lift

E\*5



Foot tube

F\*1



Base arm

G\*5



casters

# HARDWARE LIST

H\*4



wood plug

I\*4



M8\*40mm

J\*4



M6\*20mm

K\*8



M6\*10mm

L\*1



M6

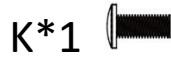
# SPARE



M8\*40mm



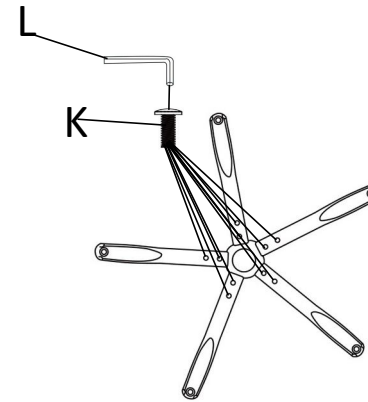
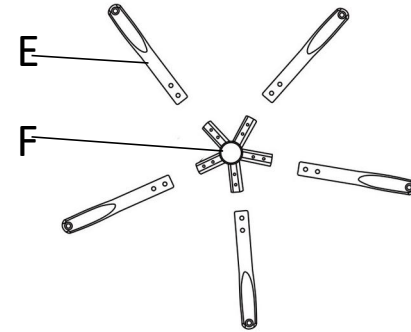
M6\*20mm



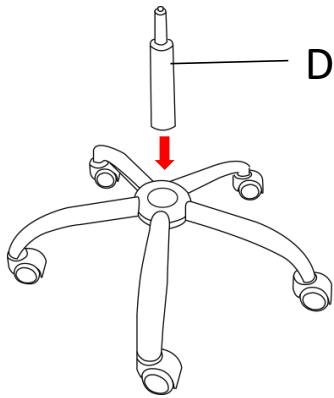
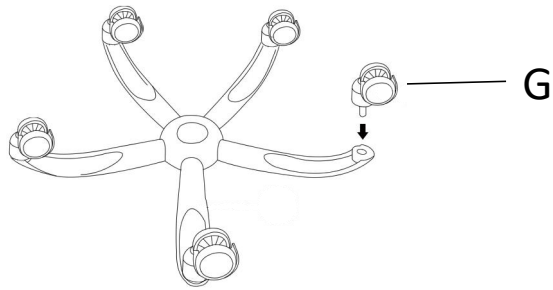
M6\*10mm

Be sure to check all packing material carefully for small parts, which may have come loose inside the carton during shipment.

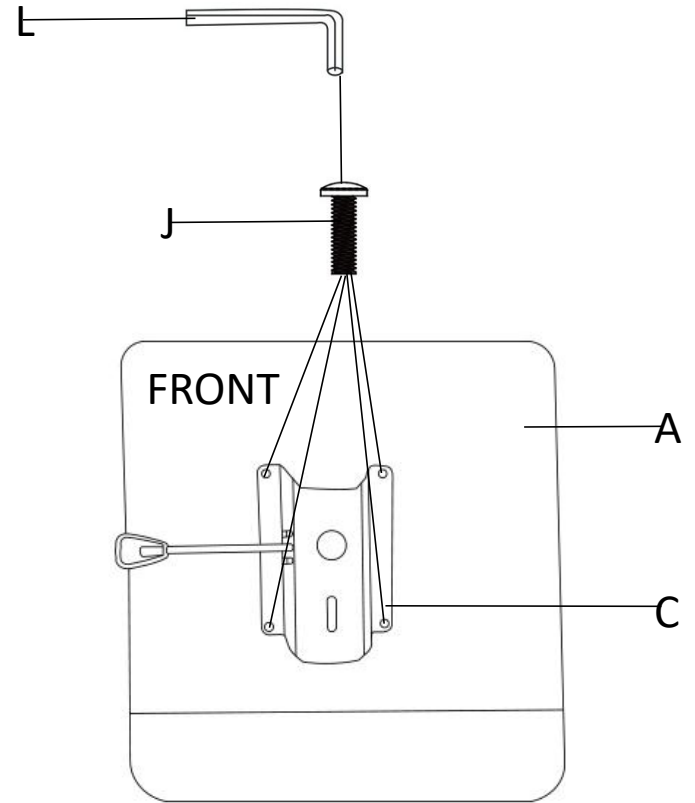
# ASSEMBLY INSTRUCTIONS



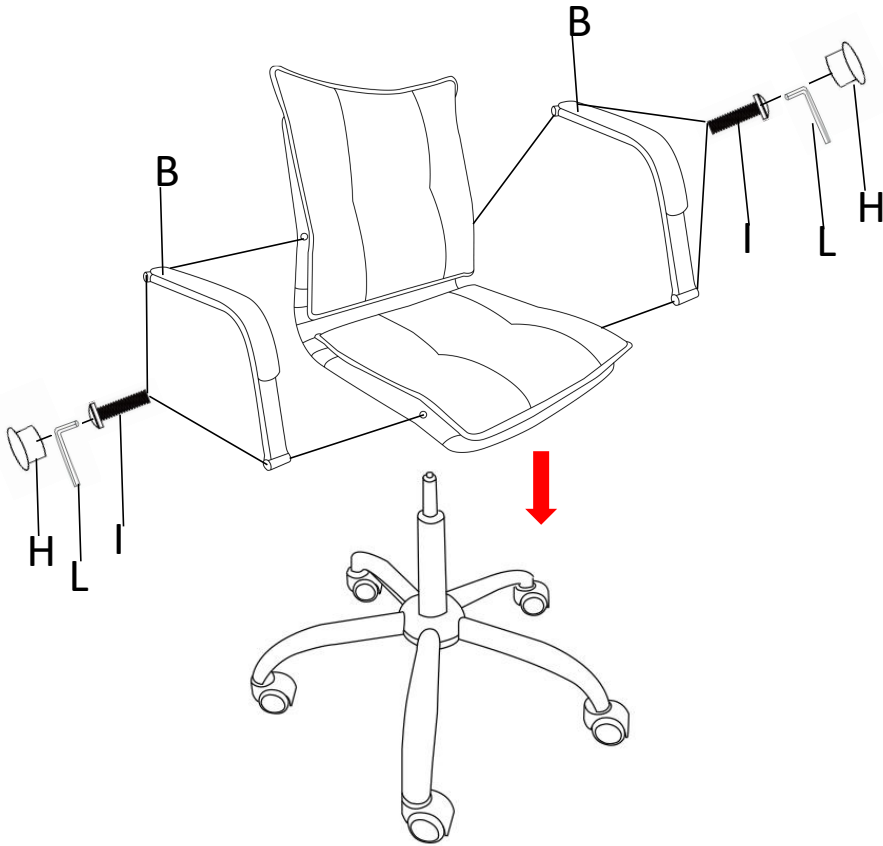
**STEP 1:** Connect metal leg E to hardware F with bolt K, but do not tighten until all bolts are connected correctly.



**STEP 2:** Connect the air rod, five-claw feet and wheels successfully to form the bottom of a chair



**STEP 3:** Place seat back A on A clean mat, bolt J to secure tray C under the seat, and make sure that the tray handle is mounted to the right



**STEP 4:** The air rod and cushion tray are installed successfully, and the handrail B is fixed on the cushion using bolt I, and the cover is fixed on the seat where the bolt is installed



**STEP 5:** Assembly completed