

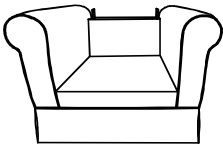
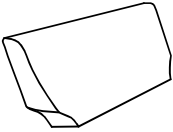
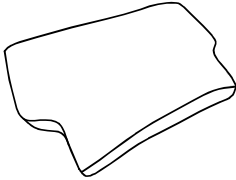
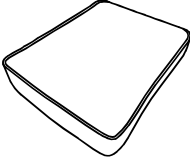
# Assembly Instructions

Your recliner comes packaged in one box. Carefully remove all of components from the packaging and set aside for assembly.

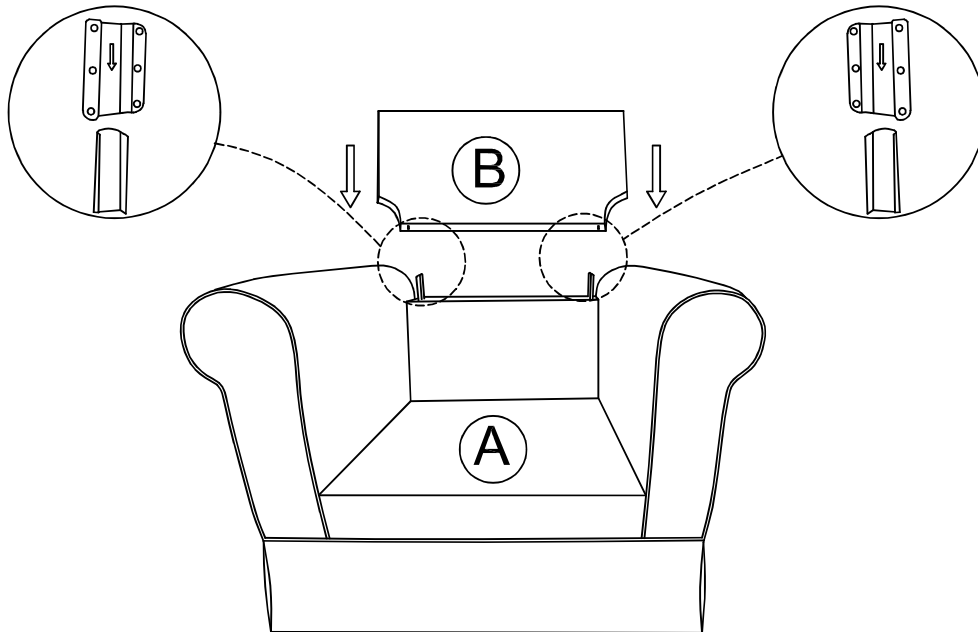
## CAUTION:

DO NOT use any sharp objects to open plastic wrapped components as damage to product or components may result.

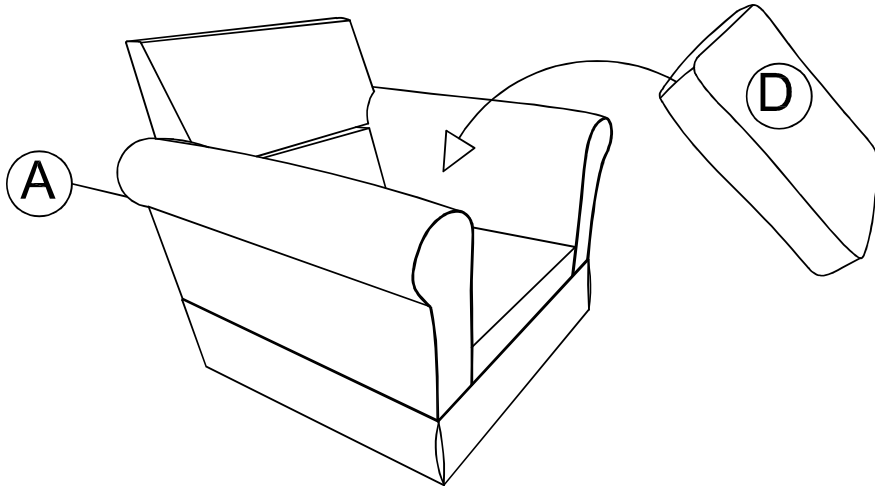
## Package Contents

			
A*1 Chair frame	B*1 Backrest	C* 1 Back cushion	D* 1 Seat cushion

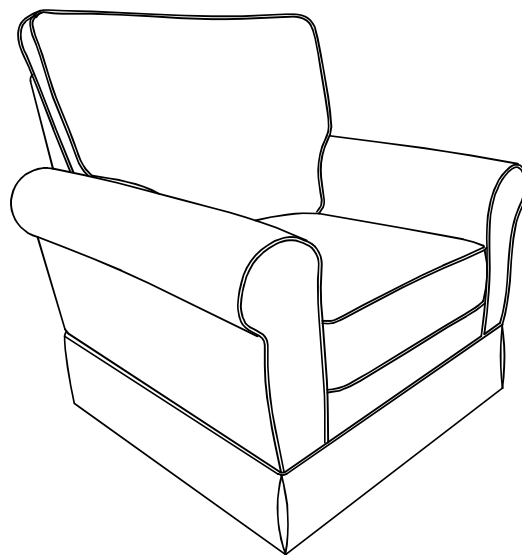
Step 1: Attach the Backrest (B) to the Seat frame (A).



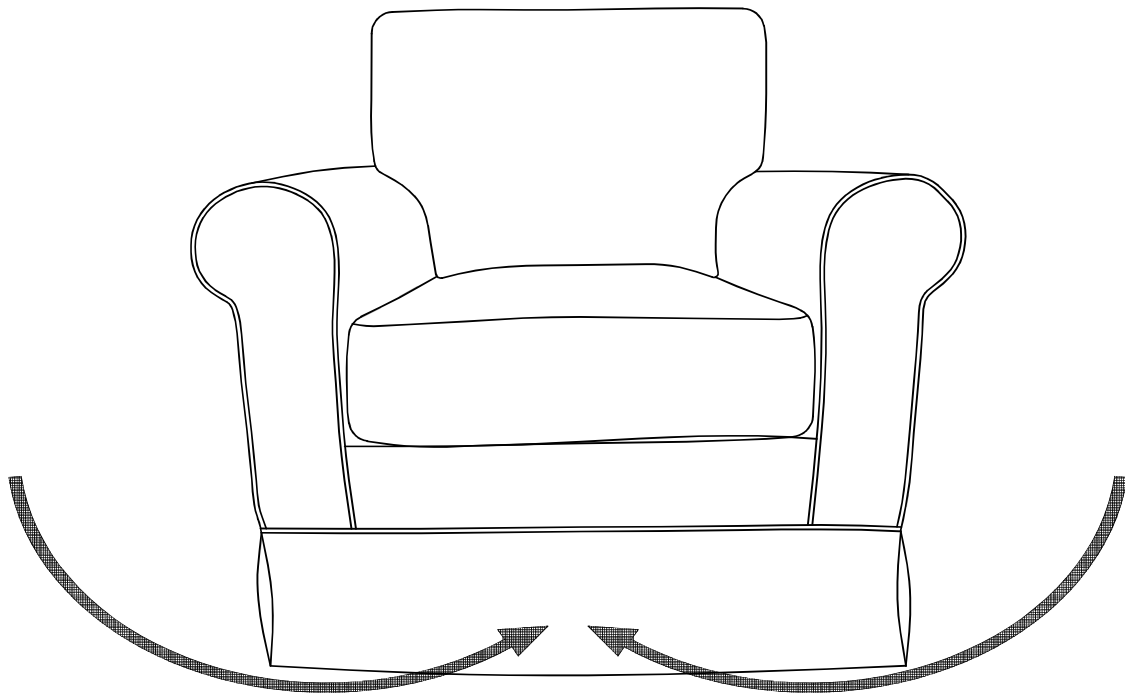
Step 2: Put the Seat cushion (D) on the Chair frame (A)

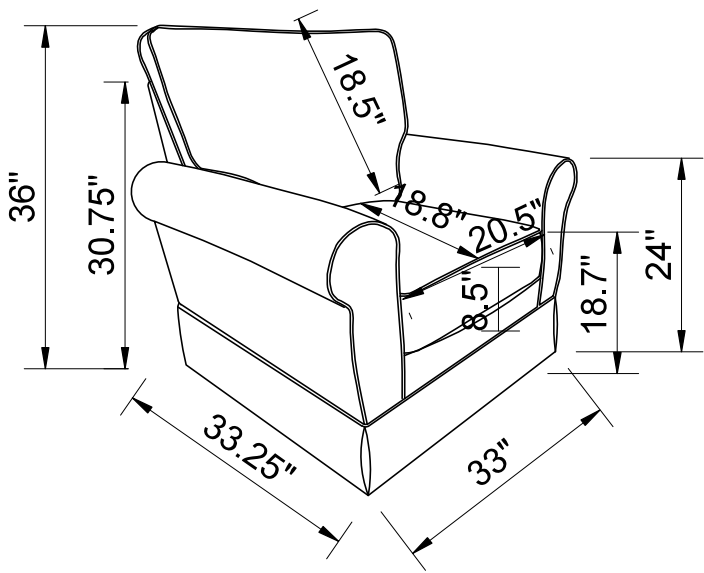


Step 3: Put the Back cushion (C) on the Seat cushion (D)



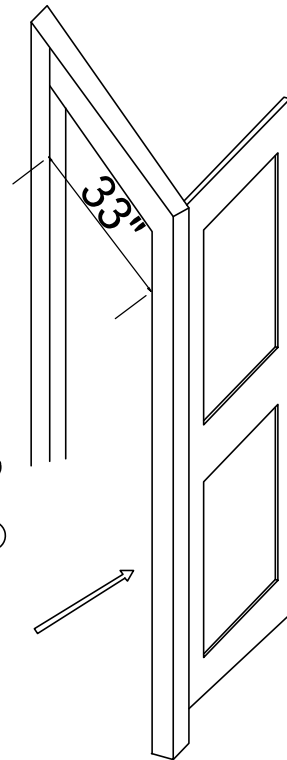
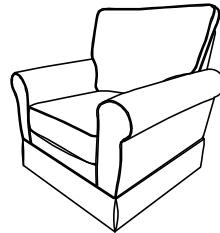
Step 4: Assembly is complete.





\*Rotate Chair  
fit through  
the door

Minimum  
Doorframe  
Width 33"



Seat cushion  
Seat Capacity: 330Lbs

# Warnings

1. Please check if the components of the chair are all included and can be used normally.
2. Assemble all components according to the instruction correctly.
3. Please DO NOT sit on the armrests and footrest to eliminate the risk of tipping over.
4. If the sofa is damaged or doesn't match the website description, please send clear pictures of the product and label of the carton to our service team for further help.
5. If the chair still doesn't assembly, please feed the information back to our customer service in time and we'll help you solve the matter as soon as possible.

