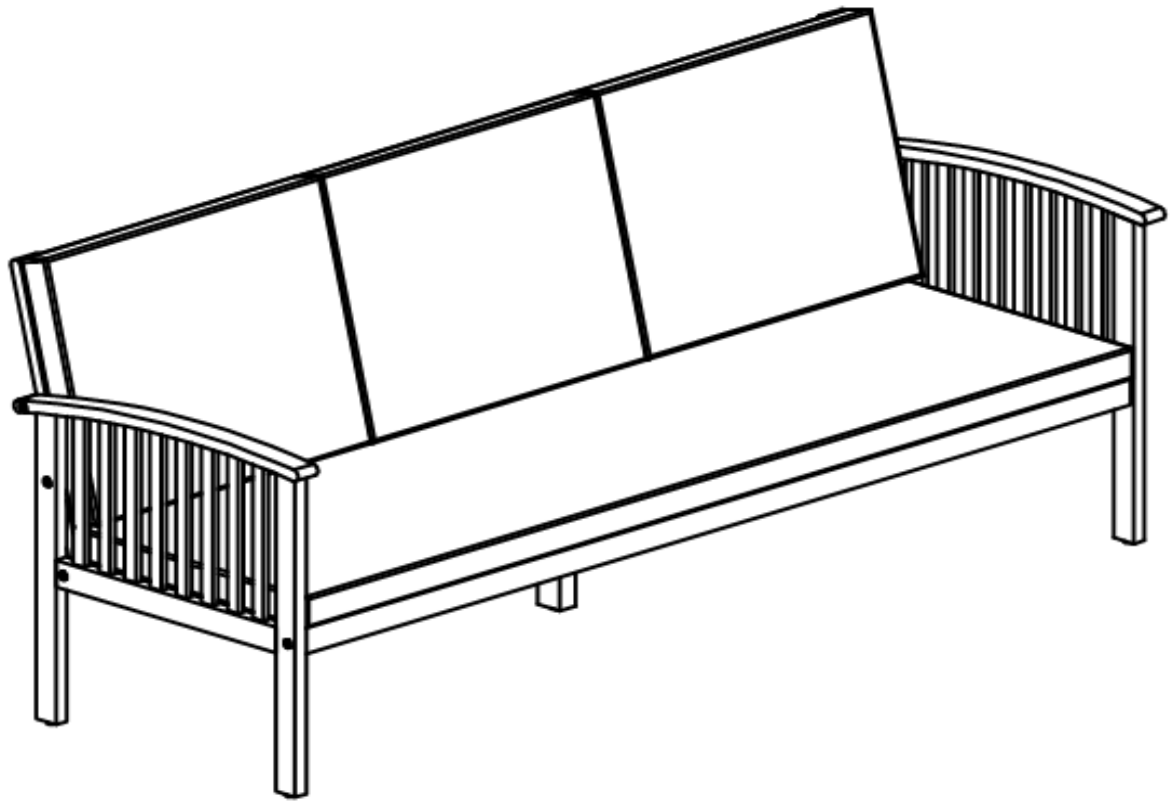


# Assembly Instructions

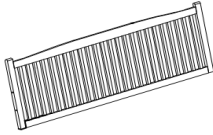
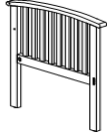
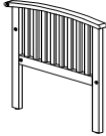



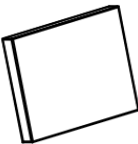
Caution: You must read this before you proceed

## Three Seater Sofa








Caution: This Three Seater Sofa is NOT a TOY.  
Keep your child/children at bay during the assembly process.  
Whenever lifting or moving the Three Seater Sofa and to prevent injury to yourself or damage to the Three Seater Sofa, two adults are needed to execute these actions.

# Part List

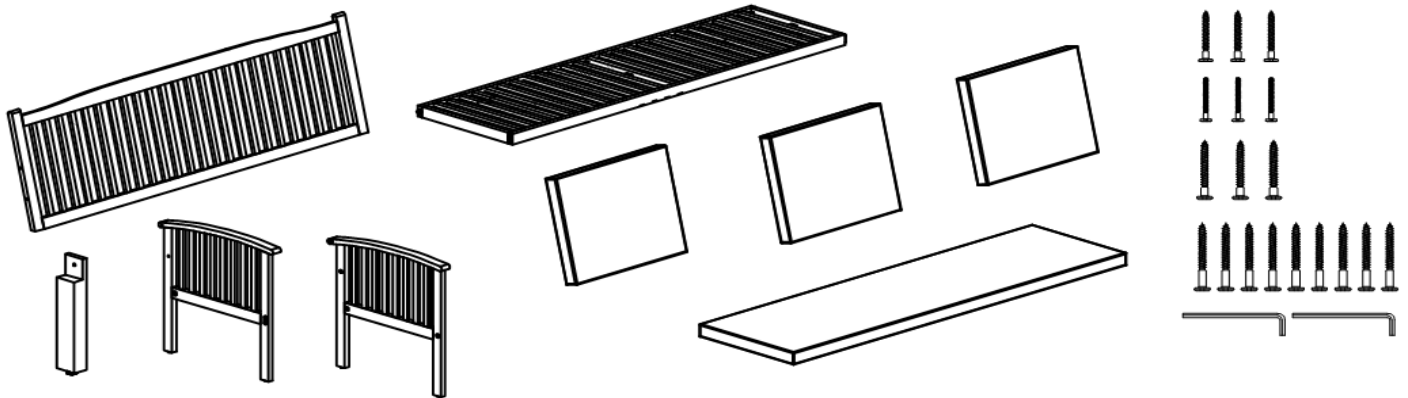
Label	Picture	Description	Qty
A		Backrest Panel	1
B		Right Arm	1
C		Left Arm	1
D		Seat Panel	1
E		Middle Leg	1
F		Seat Cushion	1
G		Back Cushion	3

# Hardware

Label	Picture	Description	Qty
①		Allen Key	2
②		Bolt (M6*30mm)	3
③		Bolt (M6*70mm)	3
④		Screw (M7*60mm)	3
⑤		Screw (M7*70mm)	9

# Assembly Preparation

Before Beginning Assembly:



- Read instructions, cover to cover-



- Have 2 adults on hand for assembly-



- Do not assemble on flooring or carpet-



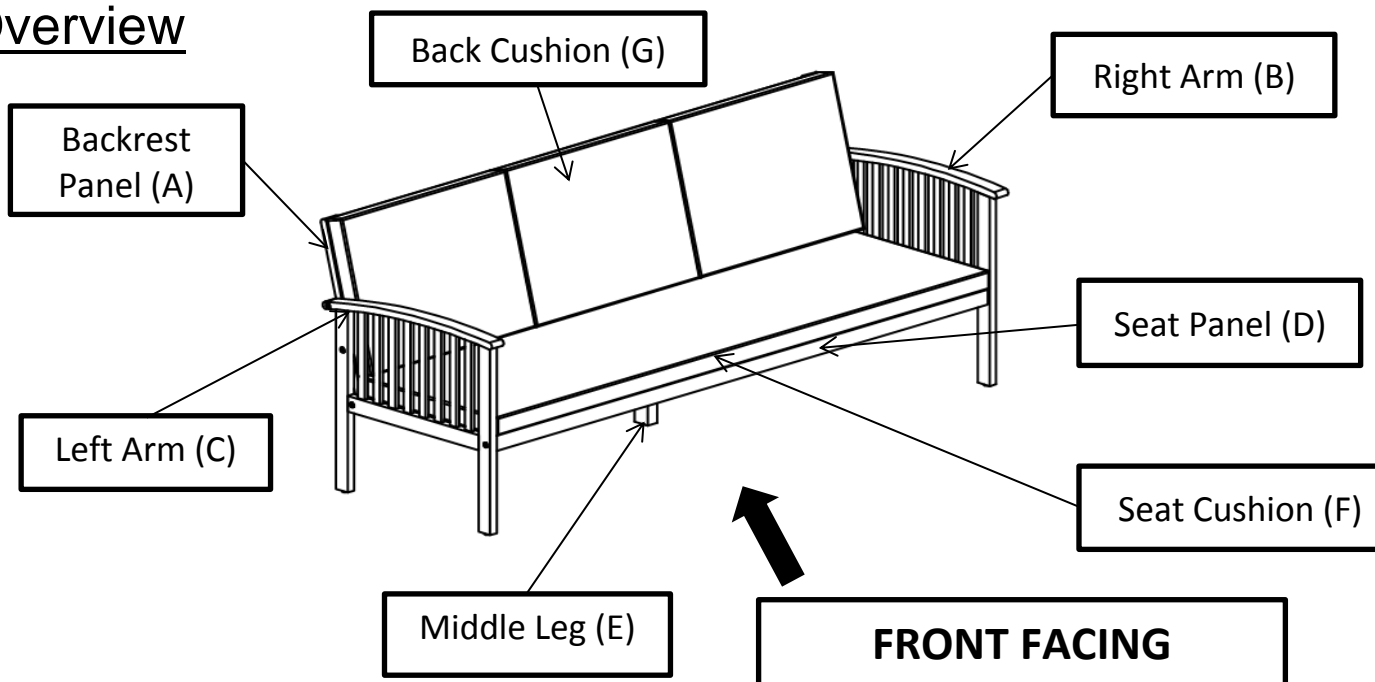
- Assemble on a clean non-marring surface (packing foam)-



- Save all packaging until finished-

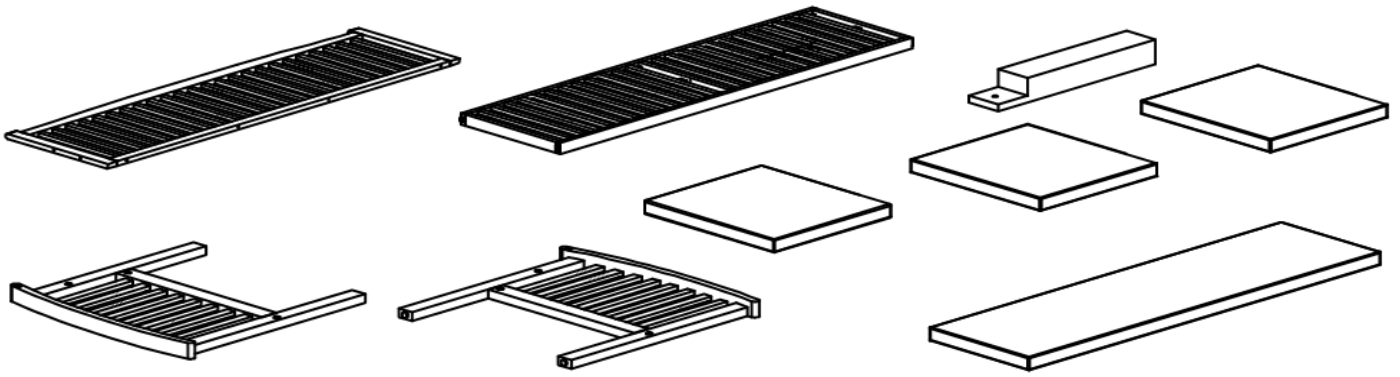
# Assembly Steps

## Overview



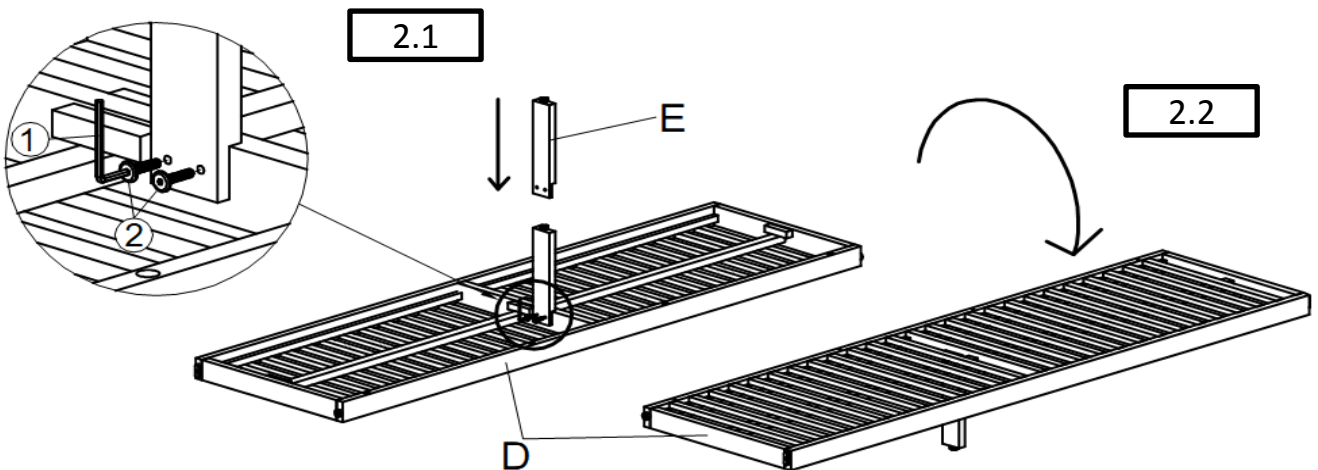
This Three Seater Sofa has multiple parts and may require up to 30 minutes to assemble. To give you an overview of the Three Seater Sofa parts, the above picture is to help you put the various parts into perspective. Please read through the instructions below to familiarise yourself with the parts and steps before assembly.

## Step 1



Unpack and place all parts on a clean, non-marring surface.

## Step 2



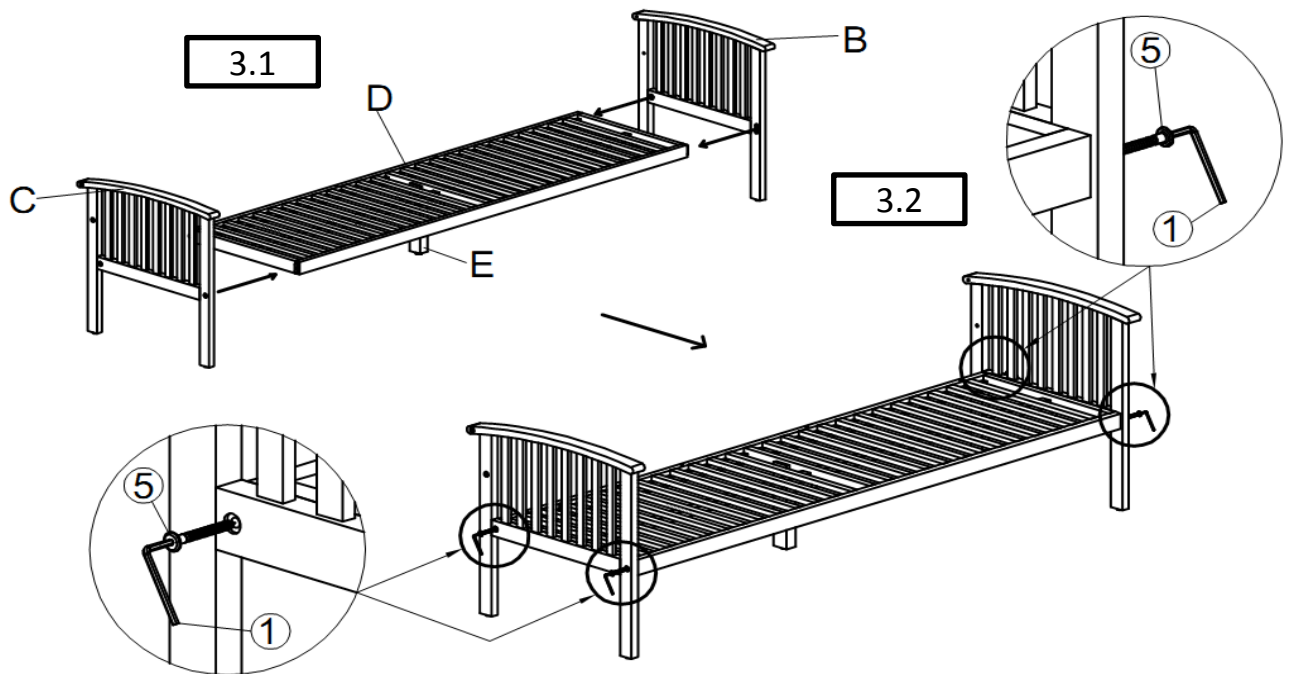
**2.1)** With assistance from your adult partners, place the Seat Panel(D) facedown onto a clean, non-marring surface.

Attach Middle Leg(E) to Seat Panel(D) by using Bolts(②) with Allen Key(①).

**2.2)** With assistance from your adult partners, turn the Seat Panel(D) right side up as shown in above picture.

**Do not fully tighten Bolts.**

## Step 3



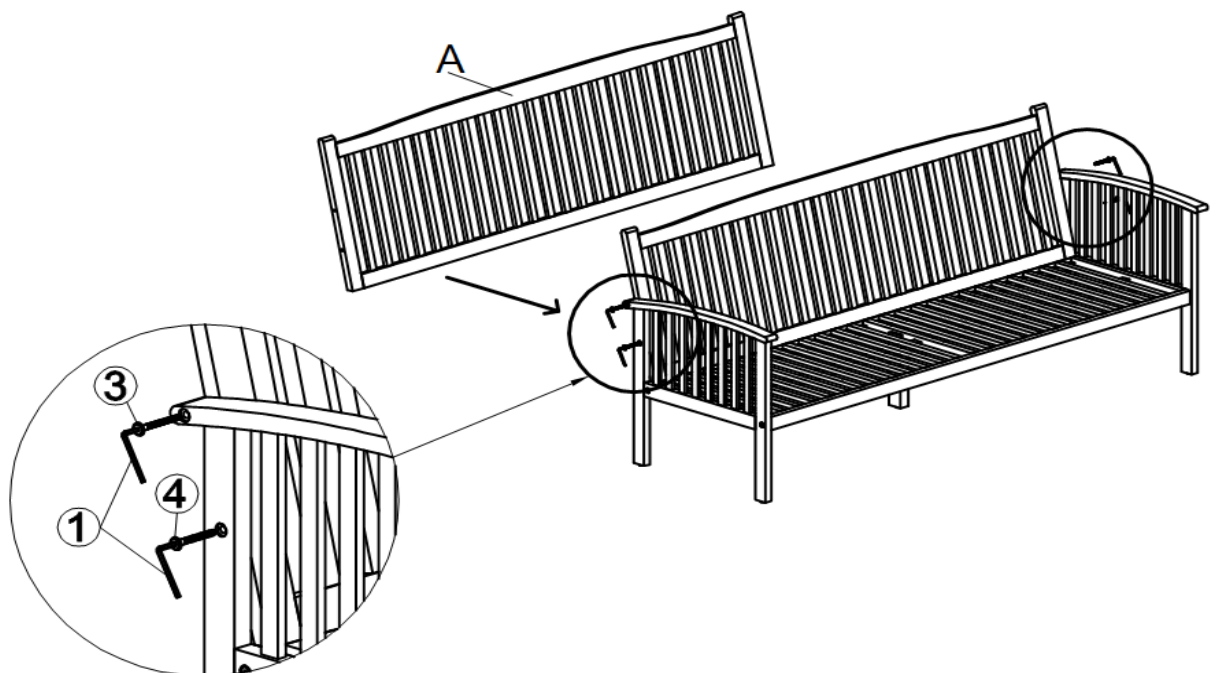
With assistance from your adult partner:

**3.1)** Position Seat Panel(D) between Right Arm(B) and Left Arm(C) as pictured.

**3.2)** Attach Seat Panel(D) to Right Arm(B) and Left Arm(C) using Screws(5) with Allen Key(1).

**Do not fully tighten Screws.**

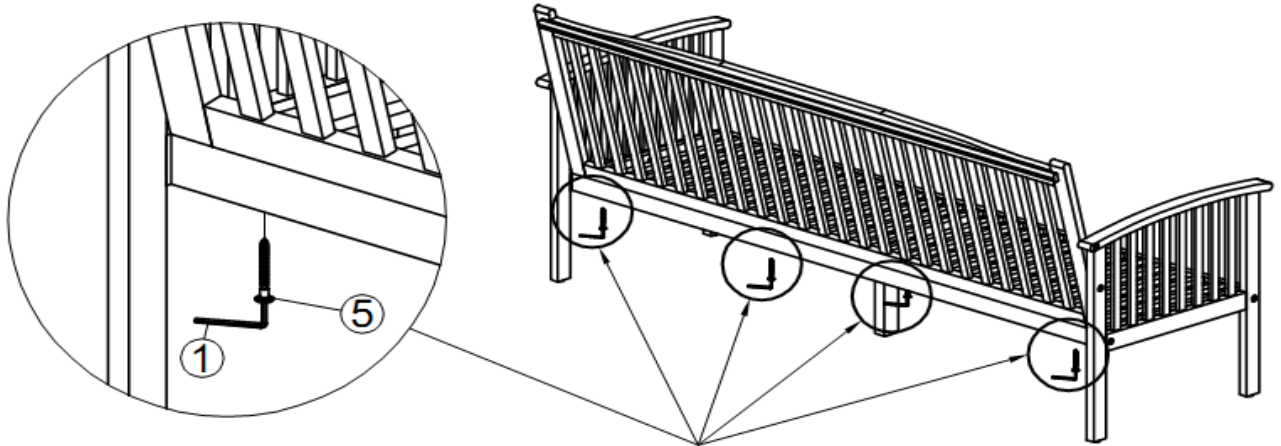
## Step 4



Attach Backrest Panel(A) to Right Arm(B) and Left Arm(C) using Bolts(3) and Screws(4) with Allen Key(1) as shown above.

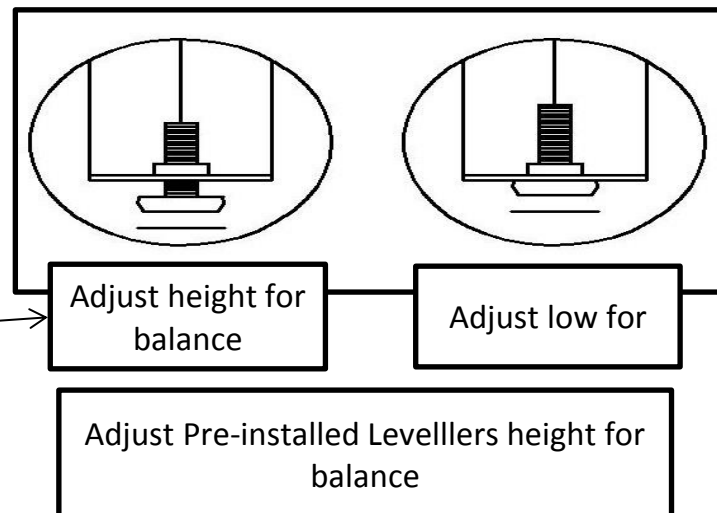
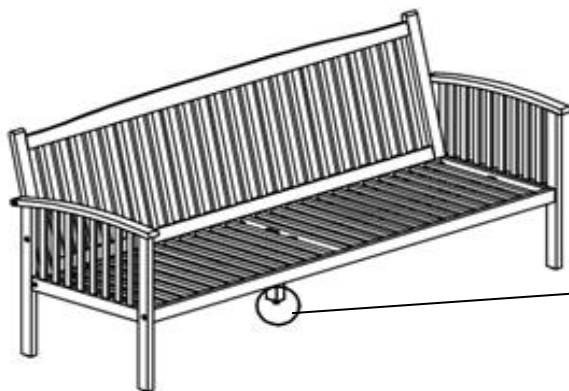
**Do not fully tighten the Bolts and Screws.**

## Step 5



Attach Backrest Panel(A) to Seat Panel(D) using Screws(5) with Allen Key(1).

## Step 6



Inspect the Three Seater Sofa and make sure all parts are connected.

**Gently and gracefully, sit onto to the Three Seater Sofa.**

This will help to align all the parts at all the joint areas.

Then get off the Three Seater Sofa, and in a sequential manner, proceed to tighten all Bolts and Screws.

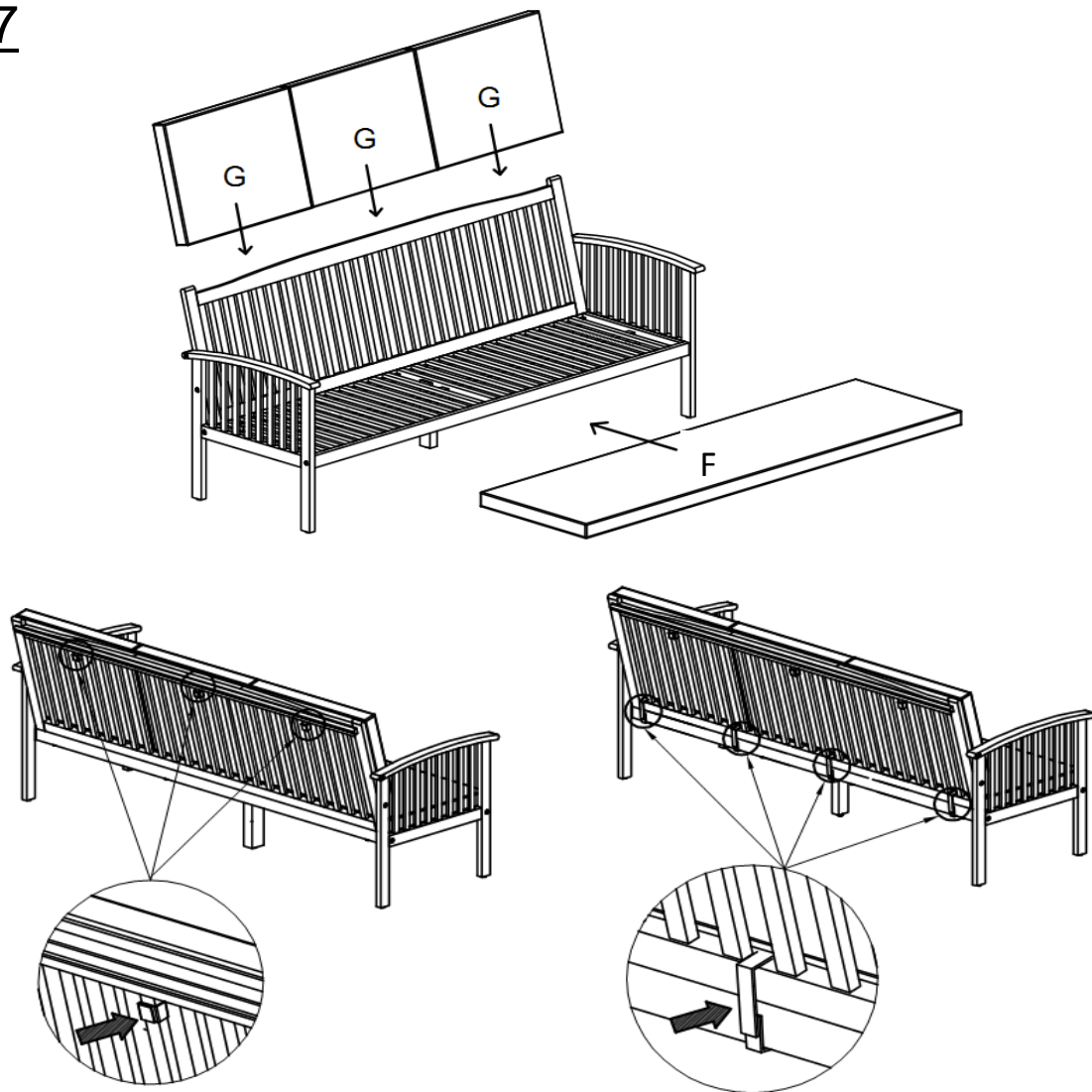
**Whenever moving or lifting the Three Seater Sofa be sure to secure assistance from your adult partner(s).**

**When tightening the Bolts and Screws, tighten sequentially.**

**DO NOT tighten any Bolt or Screw fully and then move on towards the next one.**

With assistance from your adult partners, adjust the Levellers to desired height to avoid wobbles.

## Step 7












Place Seat Cushion(F) and Back Cushions(G) onto the Three Seater Sofa.  
Tie the velcro straps of Seat Cushion(F) and Back Cushions(G) to Seat Panel(D) and Backrest Panel(A) as pictured.

Your Three Seater Sofa is ready for use.

**This Three Seater Sofa can only be used on a flat, level surface.**

## Care & Maintenance

- ⊘  ● Do not put hot items directly on furniture surface.
  - ⊘  ● Do not clean furniture with harsh cleansers or polish.
  - ✓  ● To obtain the longest lifespan of your outdoor products, minimizing exposure to direct sunlight is recommended.
  - ⊘  ● Children should not climb or jump on the furniture.
  - ⊘  ● Do not write on furniture without a padded barrier to protect the surface.
  - ✓  ● To obtain the longest lifespan of your outdoor products, avoid extended and lengthy exposure to rain, snow, and direct sunshine. Whenever possible cover the product and /or place under patio or awnings.
  - ⊘  ● Not for commercial use. For residential use only.
  - ⊘  ● Stains may be removed with mild soap solution and damp cloth.
  - ✓  ● Dust and pick-up spills using a clean, non-colored, lint-free cloth .
-