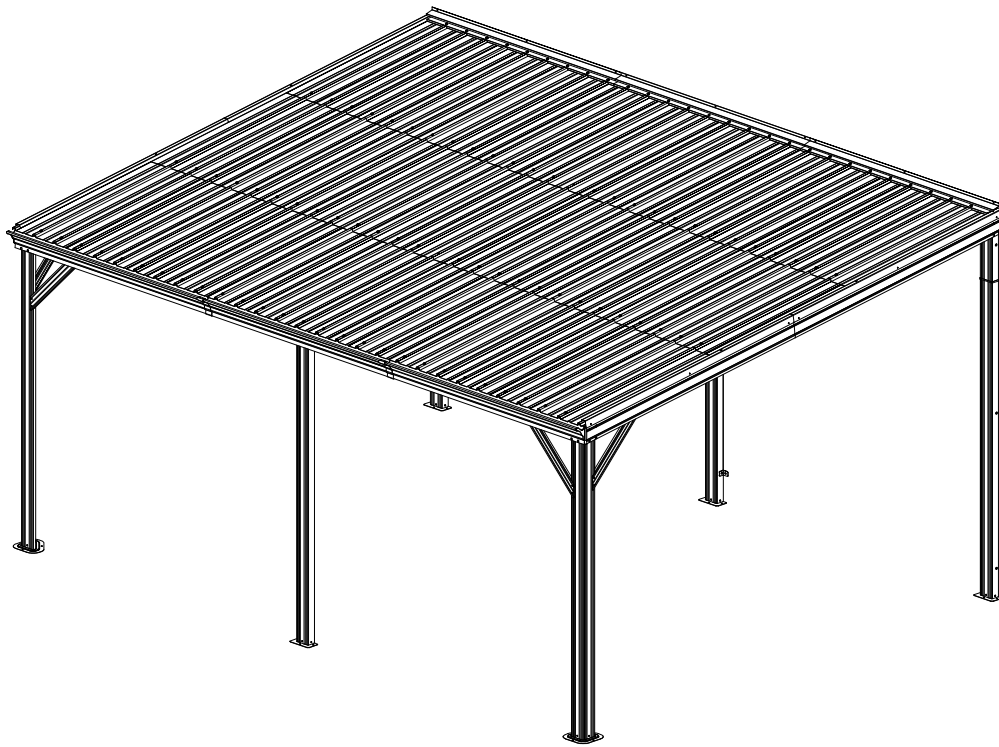




12'x16' WALL-MOUNTED GAZEBO



MODEL# : LGCF1760

Missing part? Damaged? Contact us via email at

service@domioutdoorliving.com

www.domioutdoorliving.com

© Copyright 2023–2025 domioutdoorliving LLC. All Rights Reserved.

Pre-assembly



1. Two or more people are required for assembly.



2. You will need one or more stepladders.



3. Wearing protective gloves is recommended.



4. You may need a safety hat.



5. Please use a Phillips screw driver.



6. For ease of construction, you may need a drill.



7. You may need a safety goggle.



8. Do not fully tighten screws prior to complete assembly.

Warning & Attention

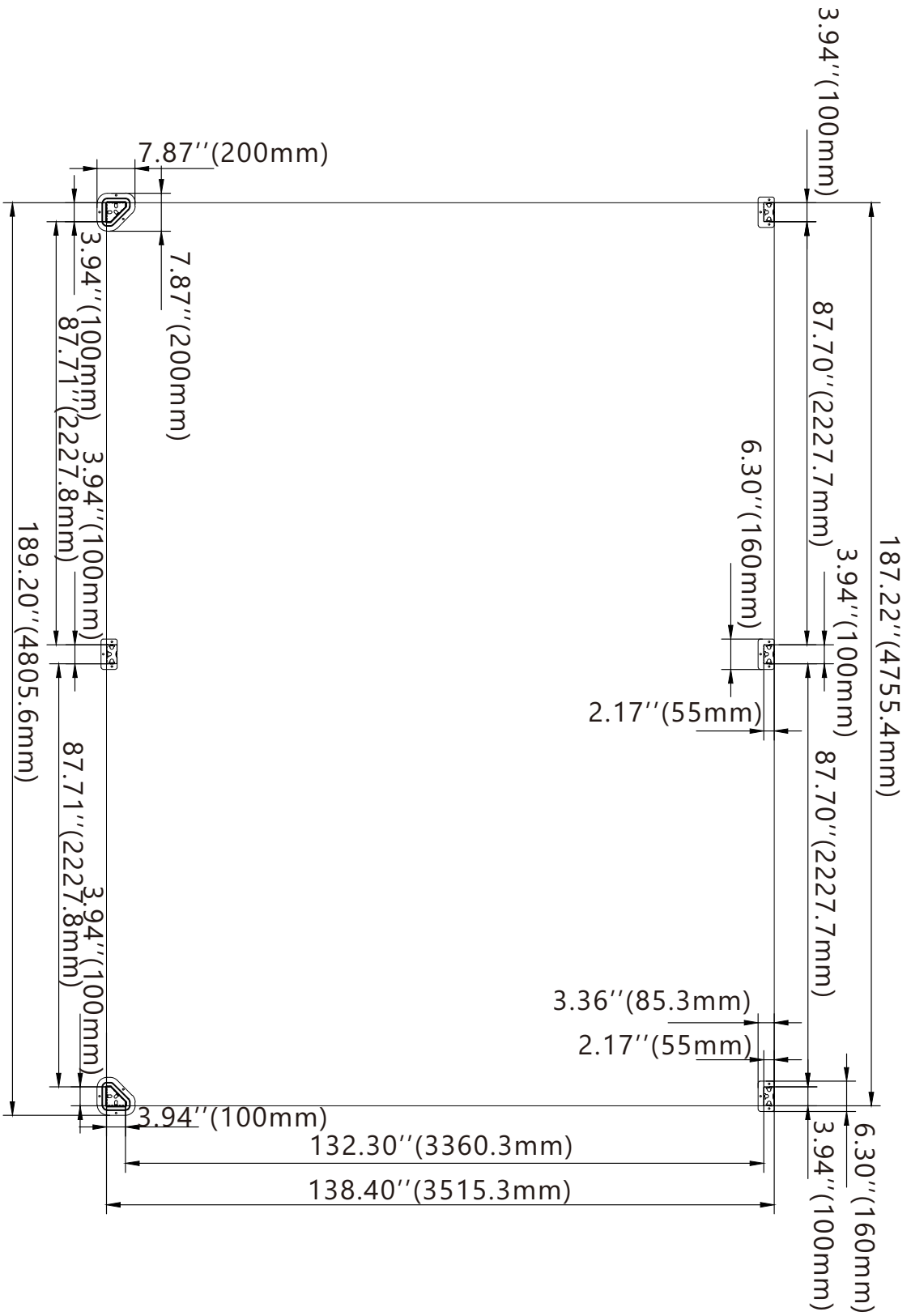
-Try to assemble this product on the flat ground, otherwise it is difficult to carry out;

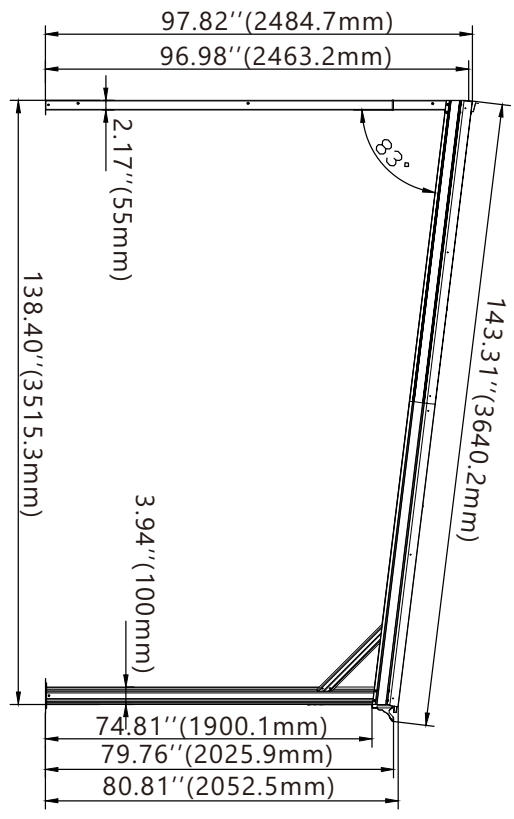
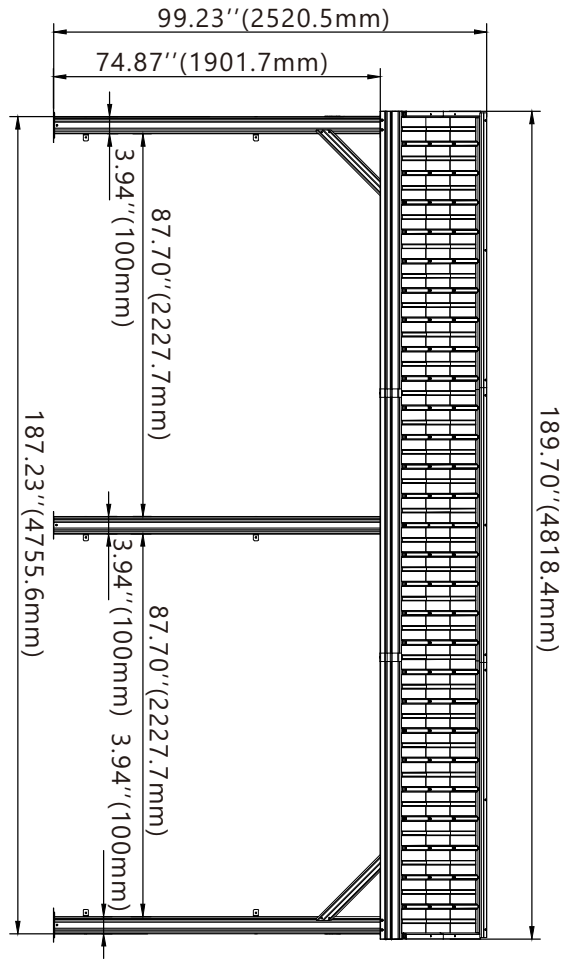
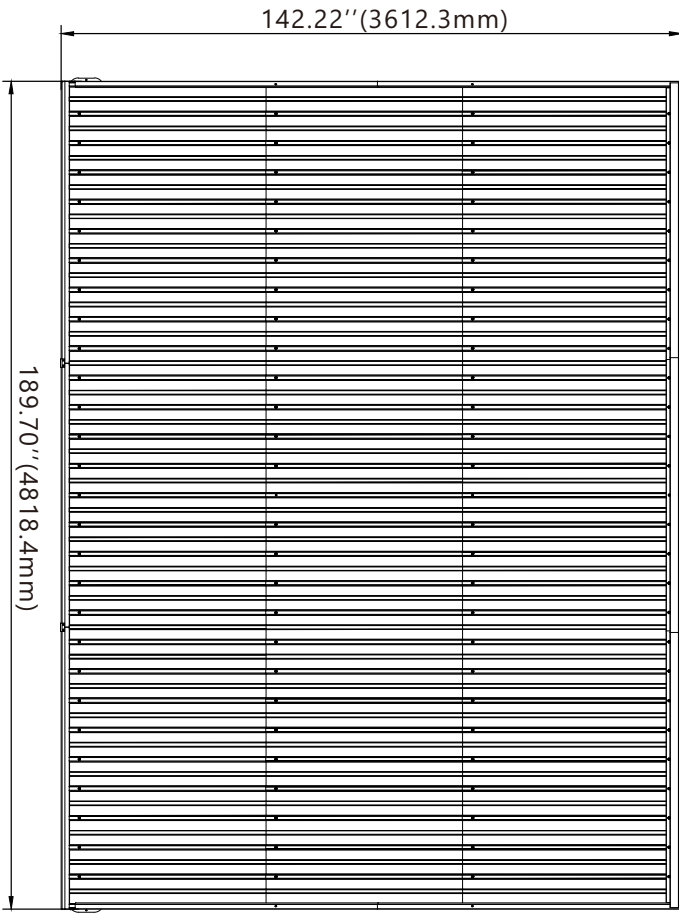
-It would be much easier to assemble the product with three or more people;

-After assembly, please check whether all screws are tightened, to prevent parts from falling apart.

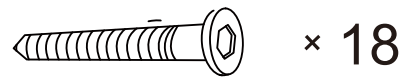
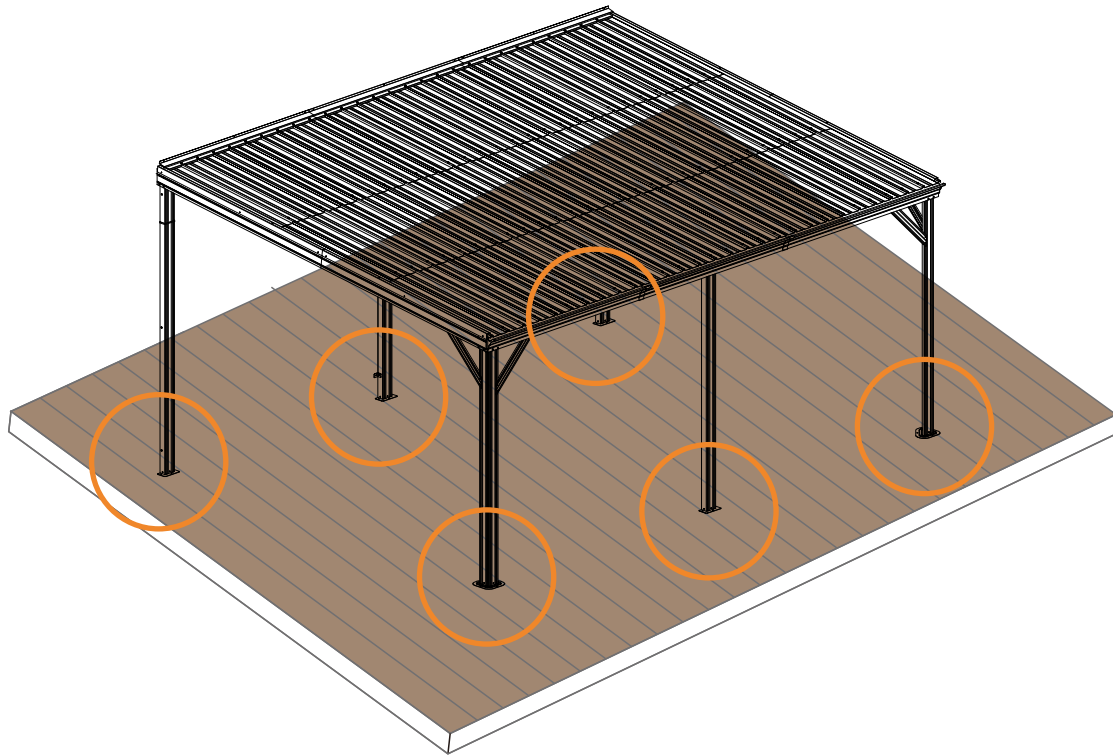
▲ Use bolts to secure the frame to the ground to against the strong wind.

IMPORTANT: A gaze may entail to purchase a municipal permit or be subject to specific building codes. It is the consumer's responsibility to inform themselves of any restrictions.

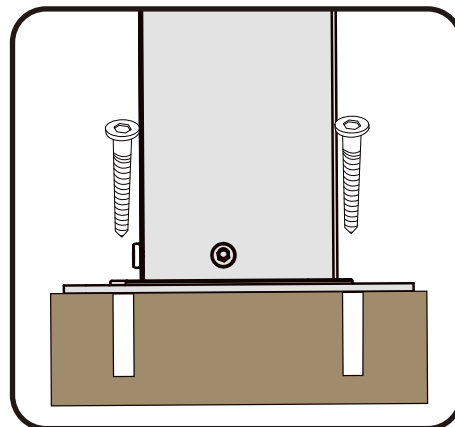
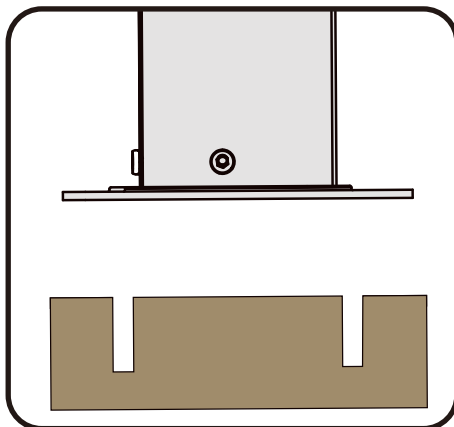




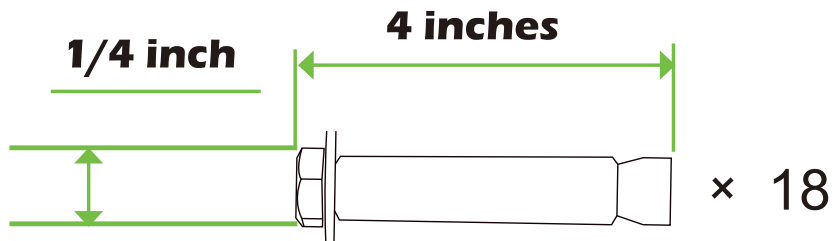
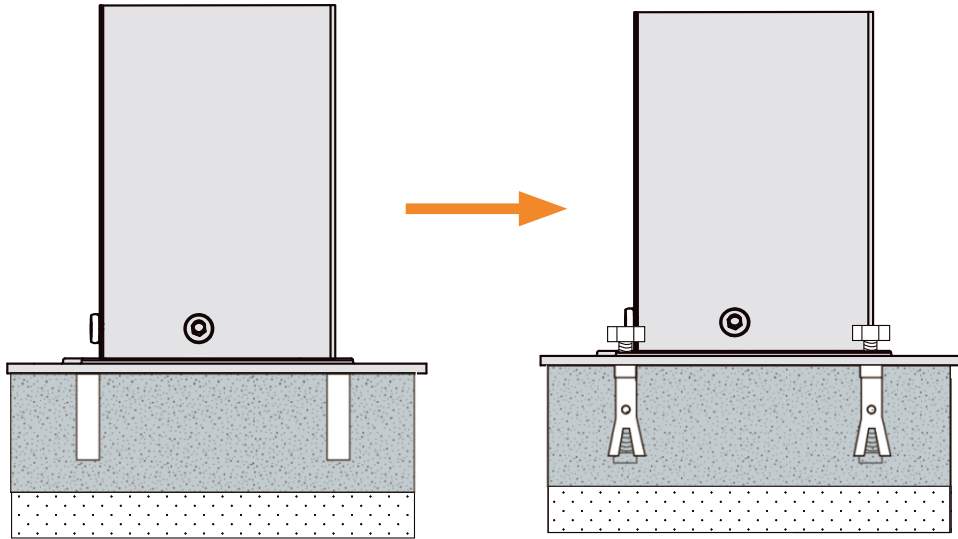
1



If the deck is hard wood and the depth of it is over 3 inch, you can use **5/16 in. x4 in. Structural Wood Screw** to mount the pergola.



2



If the ground is concreted and the depth of it is over 3 inch, you can use 1/4 inch expansion bolts to mount the pergola



A1 1x Front Pole



A2 1x Front Pole



A3 1x Front Pole



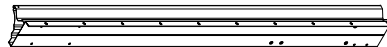
B 3x Rear Pole



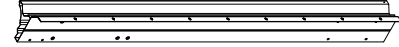
B1 2x Rear Pole



B2 1x Rear Pole



D1 1x Front Beam



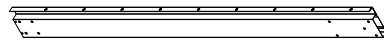
D2 1x Front Beam



D5 1x Front Beam



E1 1x Rear Beam



E2 1x Rear Beam



E3 1x Rear Beam



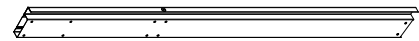
F1 4x Center Cross Beam



F2 4x Center Cross Beam



F5 1x Side Beam



F6 1x Side Beam



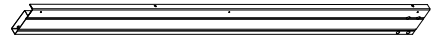
G1 1x Side Beam



G2 1x Side Beam



H1 1x Side Beam



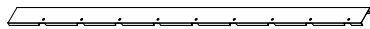
H2 1x Side Beam



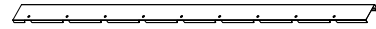
I1 2x Corner Solidifying Bar



I2 2x Corner Solidifying Bar



J1 1x Rear Roof Cover



J2 1x Rear Roof Cover



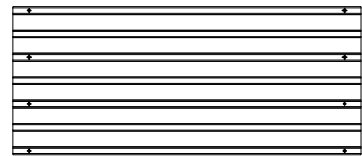
J3 4x Side Seal Strip



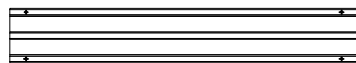
J4 3x Rear Seal Strip



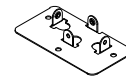
J5 1x Rear Roof Cover



N 27x Roof Panel



N1 3x Roof Panel



C1 4x Base



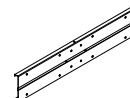
C2 2x Base



C3 9x Bracket



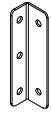
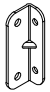
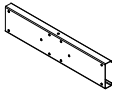
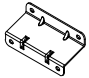
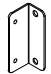

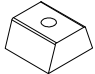
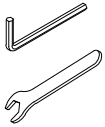


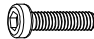
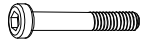








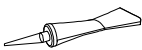



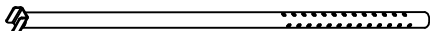
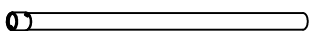
C4 2x Bracket

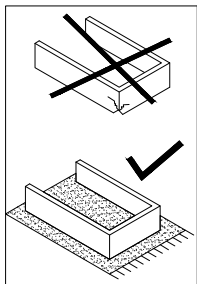


D3 2x Front Beam Connector

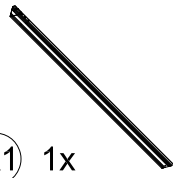
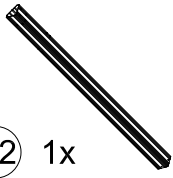

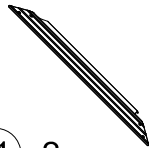

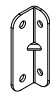







D4 2x Joint Cover

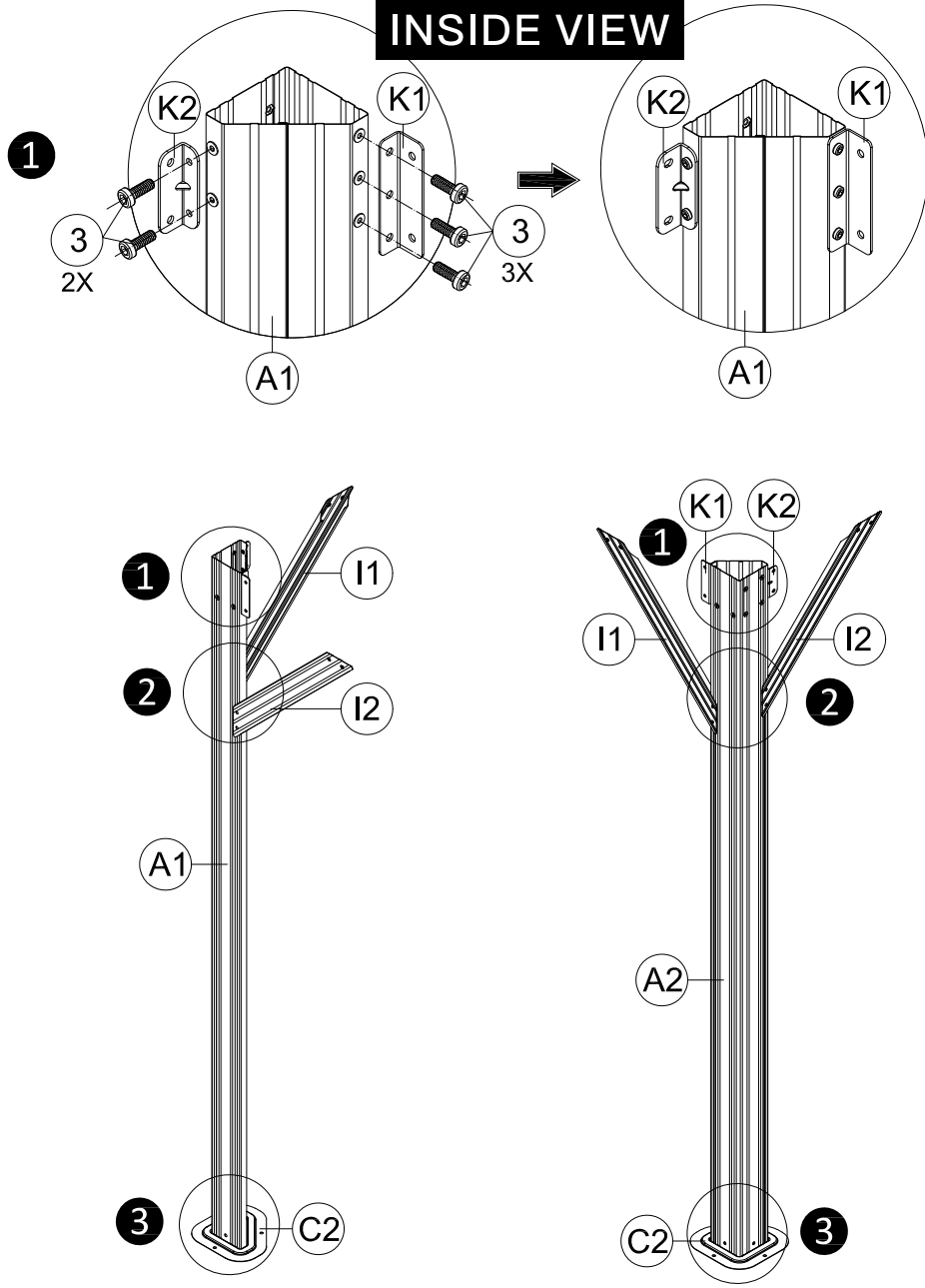
			
K1 2x Bracket	K2 4x Bracket	K3 9x Rear Beam Connector	K4 2x Bracket
			
K5 18x Bracket	L1 116x Gasket	L2 116x Rubber Spacer	1 1x Wrench
			
M6x12	M6x16	M6x30	M6x45
2 36x	3 209x	4 116x	5 14x
			
M6x30	M6x40	M6	M5x12
6 4x	7 24x	8 124x	9 2x
			
B ST4. 2x10	ST4.8x13	ST5x16	M6x70
10 12x	11 4x	12 3x	13 22x
			
14 2x	15 2x	16 2x	CC 2x
			
AA 2x Support Tube		BB 2x Support Tube	



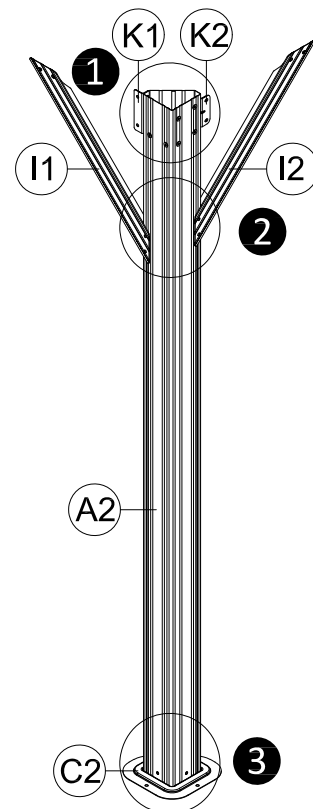
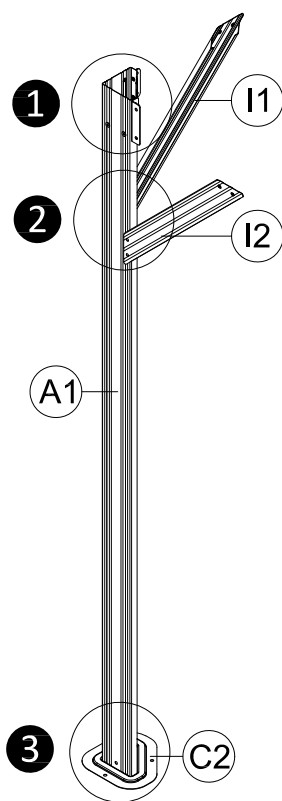
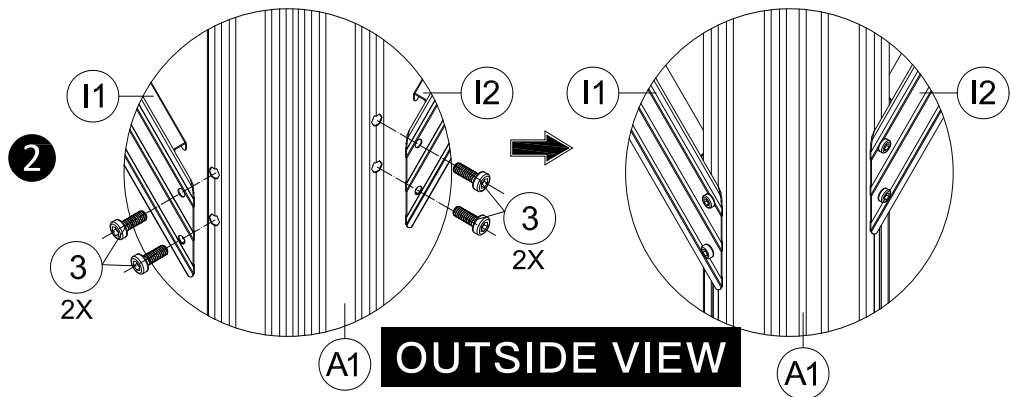
Front Pole Assembly:

-  A1 1x
-  A2 1x
-  C2 2x
-  I1 2x
-  I2 2x
-  K2 2x
-  K1 2x
-  S4
-  1 1x
-  M6x16
-  3 24x

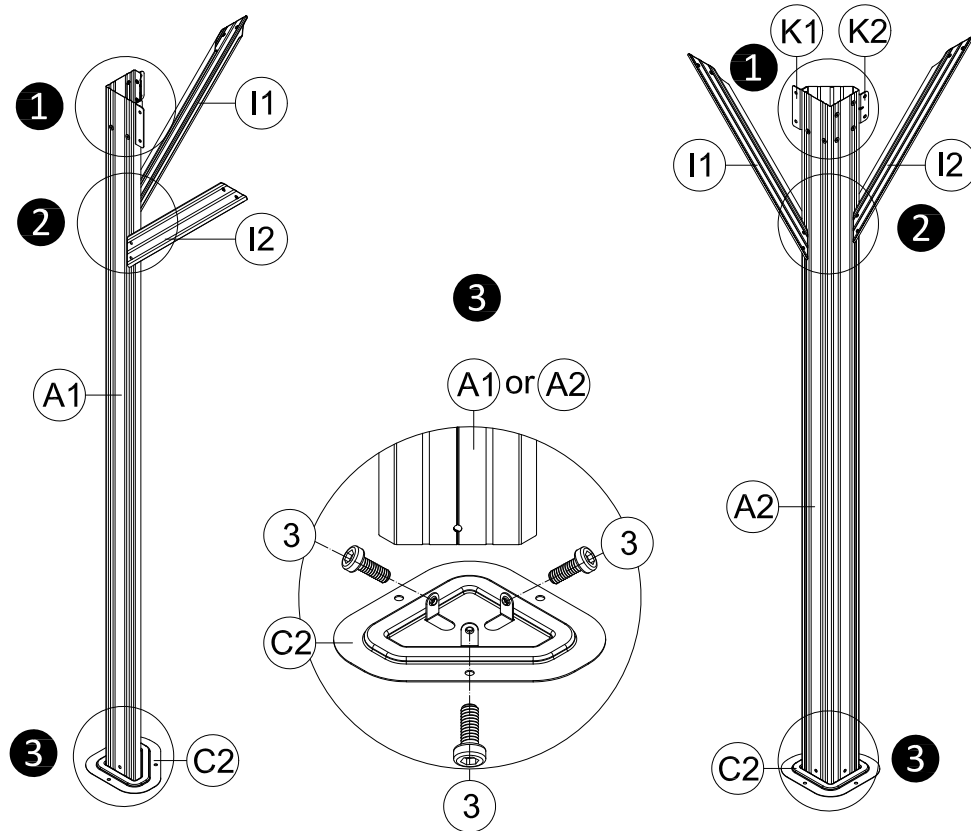
INSIDE VIEW



①: Install the Bracket #K1 and #K2 onto the front Pole #A1, secure them with 5 bolts #3.



②: Install parts #I1 and #I2 onto #A1, and secure them with 4 bolts #3 (note that the bolts should not be tightened).

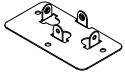


③: Install the Pole #A1 onto the base #C2, secure it with 3 bolts #3.

Repeat above procedures to assemble Pole #A2.



A3 1x



C1 1x



C4 2x

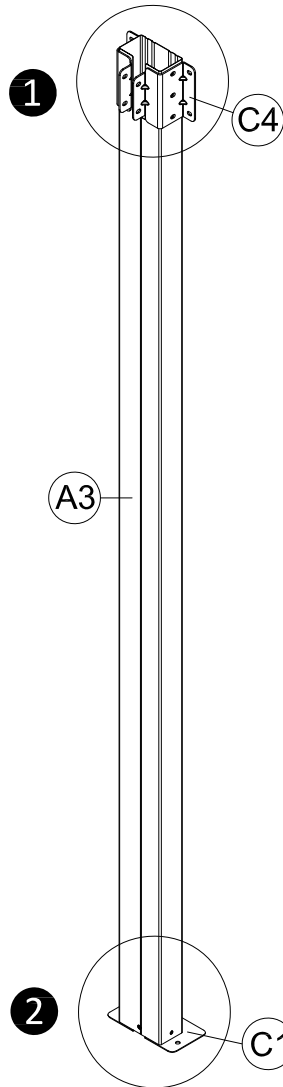
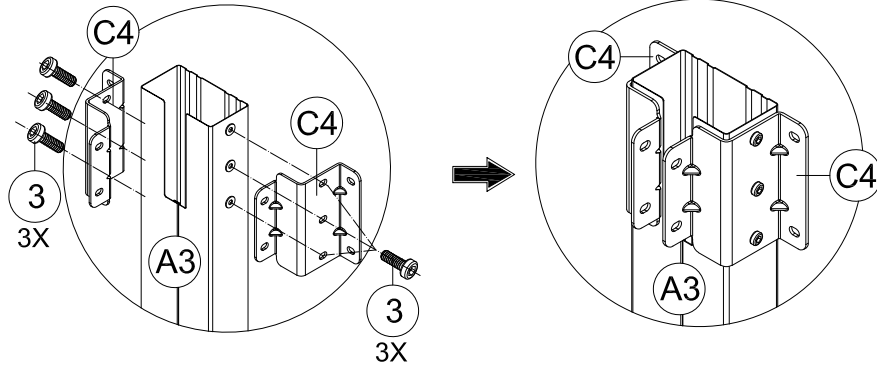


1 1x



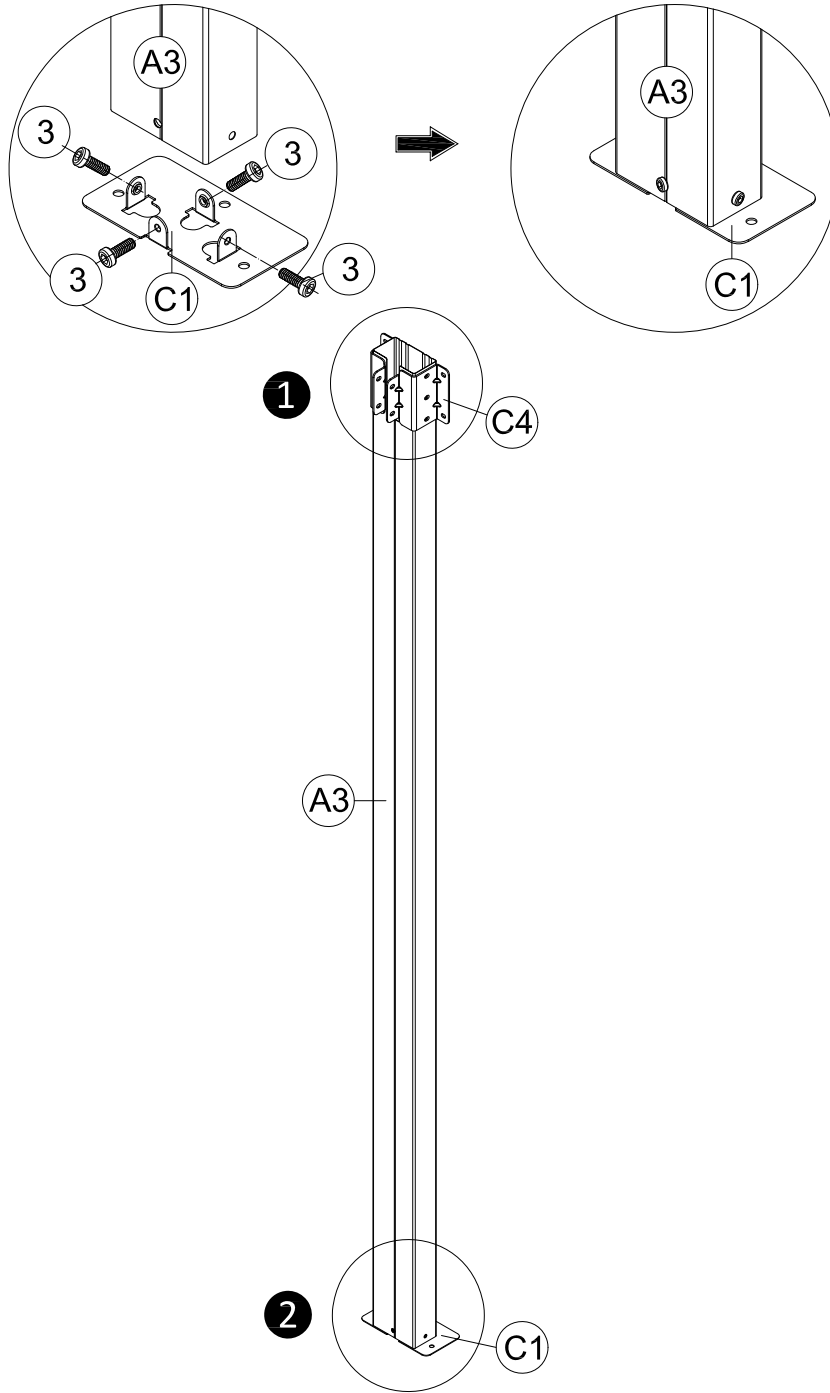
M6x16

3 10x



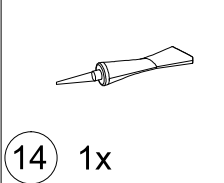
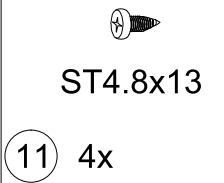
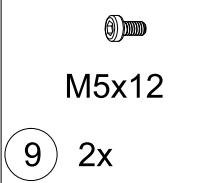
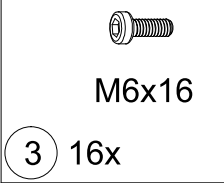
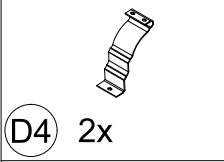
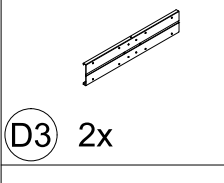
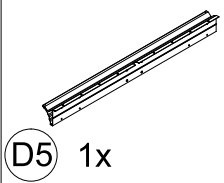
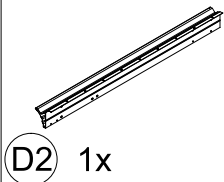
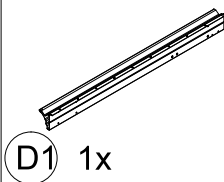
5-1

Install 2 Brackets #C4 onto the front Pole #A3, secure them with 6 bolts #3.

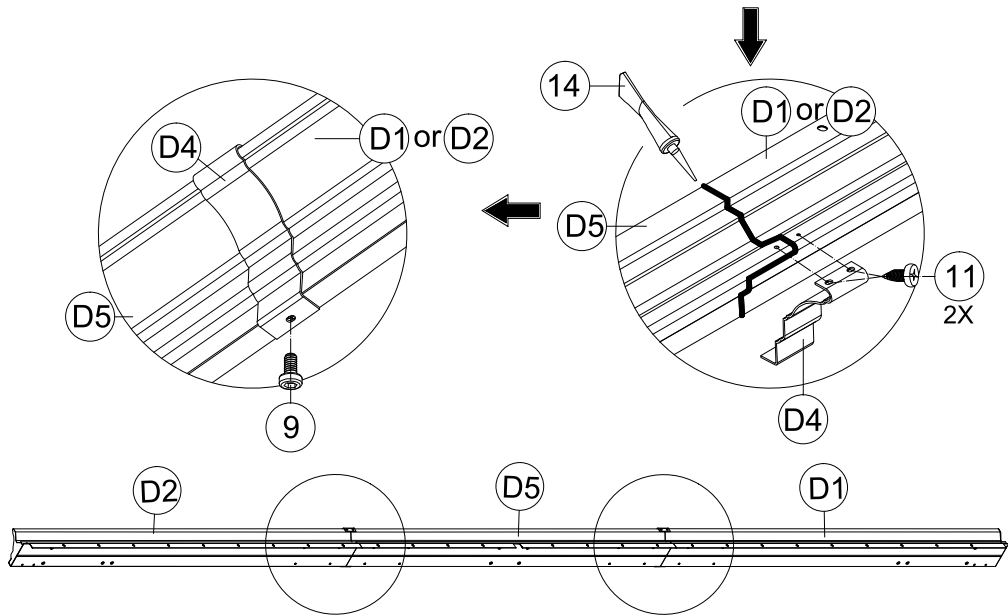
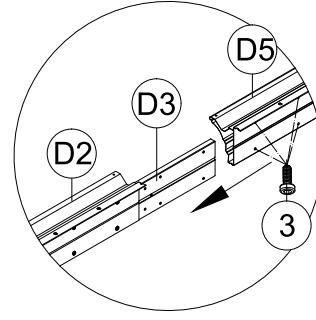
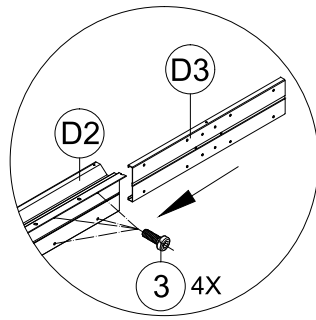
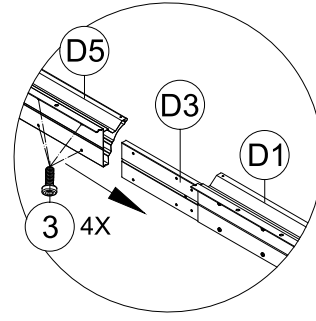
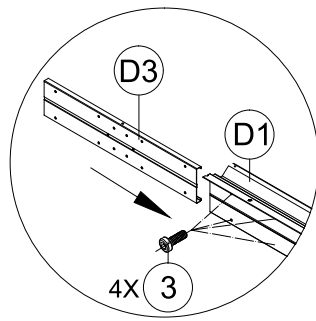


Use 4 bolts #3 to secure base #C1 to Pole #A3.

Front Beam Assembly:



6



- (1) Insert the Beam Connector #D3 into the front beam #D1, and secure with 4 bolts #3;
- (2) Insert the other side of the Beam Connector #D3 into the front beam #D5, and secure it with 4 bolts #3.
- (3) Apply sealant to the joint between #D5 and #D1.
- (4) Install the Joint Cover #D4 to the beams #D5 and #D1 by aligning the holes, secure with 2 screws #11 and 1 bolt #9. Repeat above procedures to assemble Front Beam #D5 with Front Beam #D2.



1 1x



M6x16

3 12x

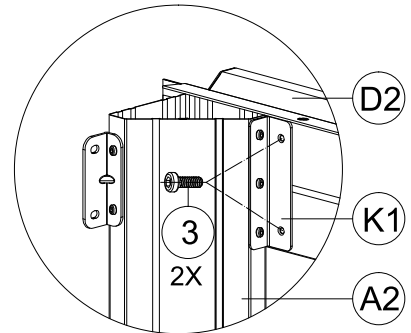
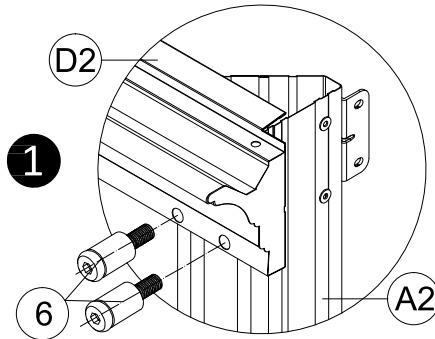


M6x30

6 4x

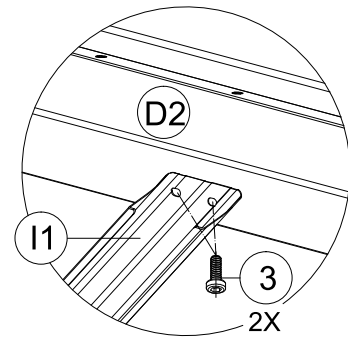
Attach the front beam #D2 to the front pole #A2 and secure it with 2 bolts #6.

Secure the Bracket #K1 to the front beam #D2 using 2 bolts #3.

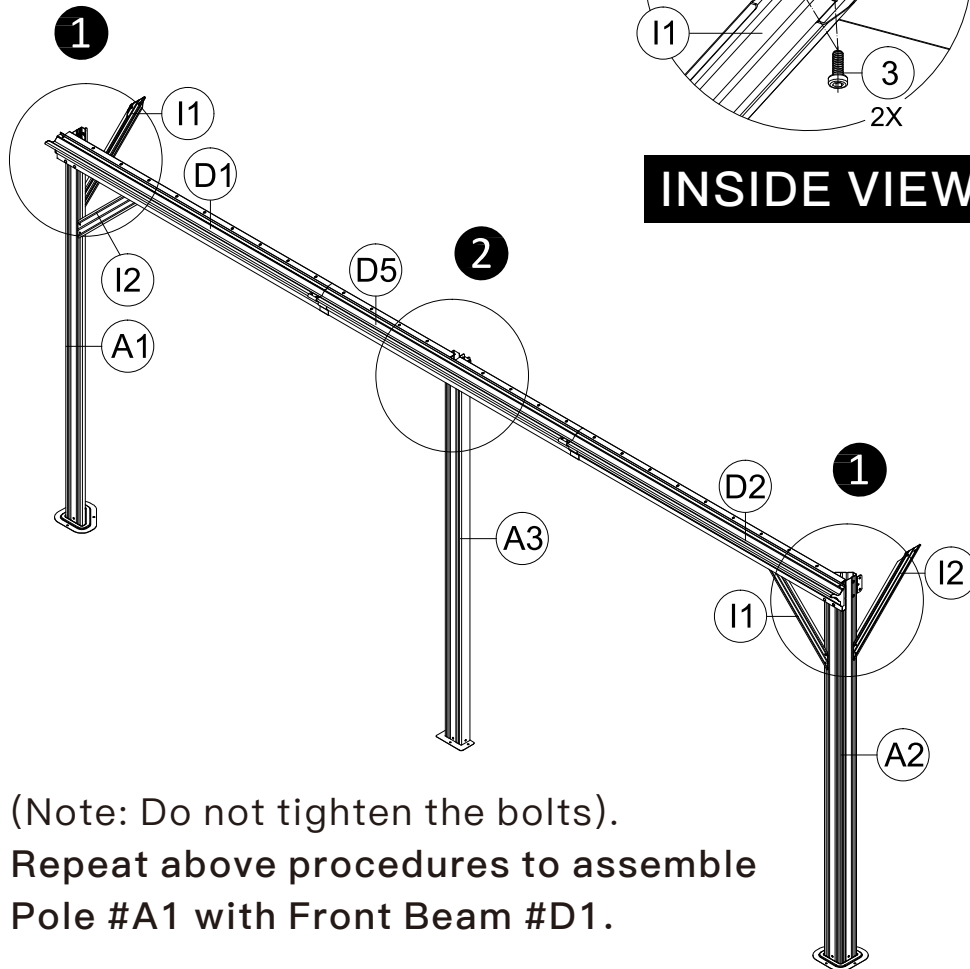


OUTSIDE VIEW

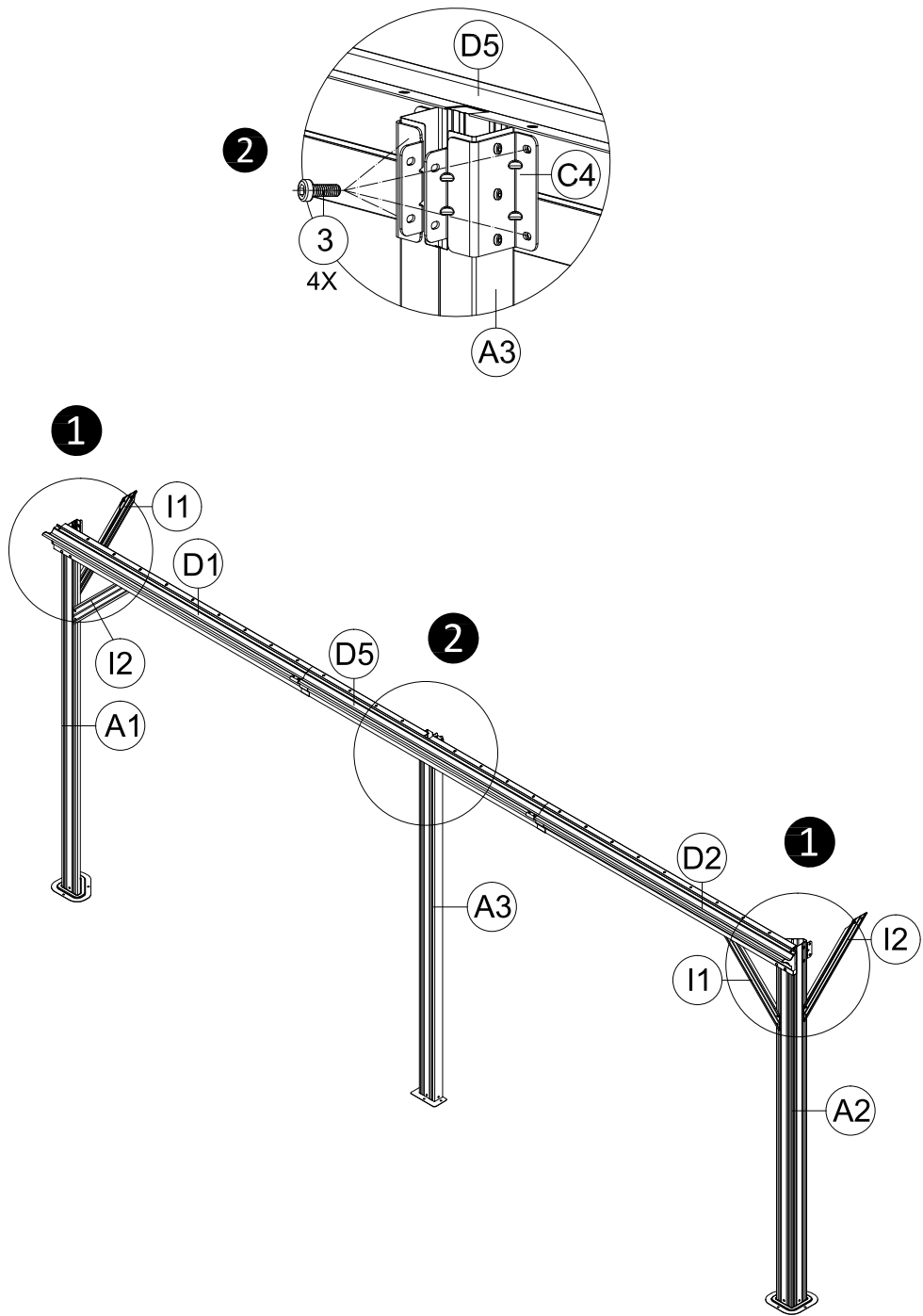
Use 2 bolts #3 to secure #I1 to the front beam #D2.



INSIDE VIEW



(Note: Do not tighten the bolts).
Repeat above procedures to assemble Pole #A1 with Front Beam #D1.

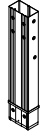


Assemble #A3 onto #D5 with 2 Brackets #C4 secure it with 4 bolts #3.

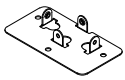
Rear Pole Assembly:



B 2x



B1 2x



C1 2x



C3 6x



1 1x



M6x16

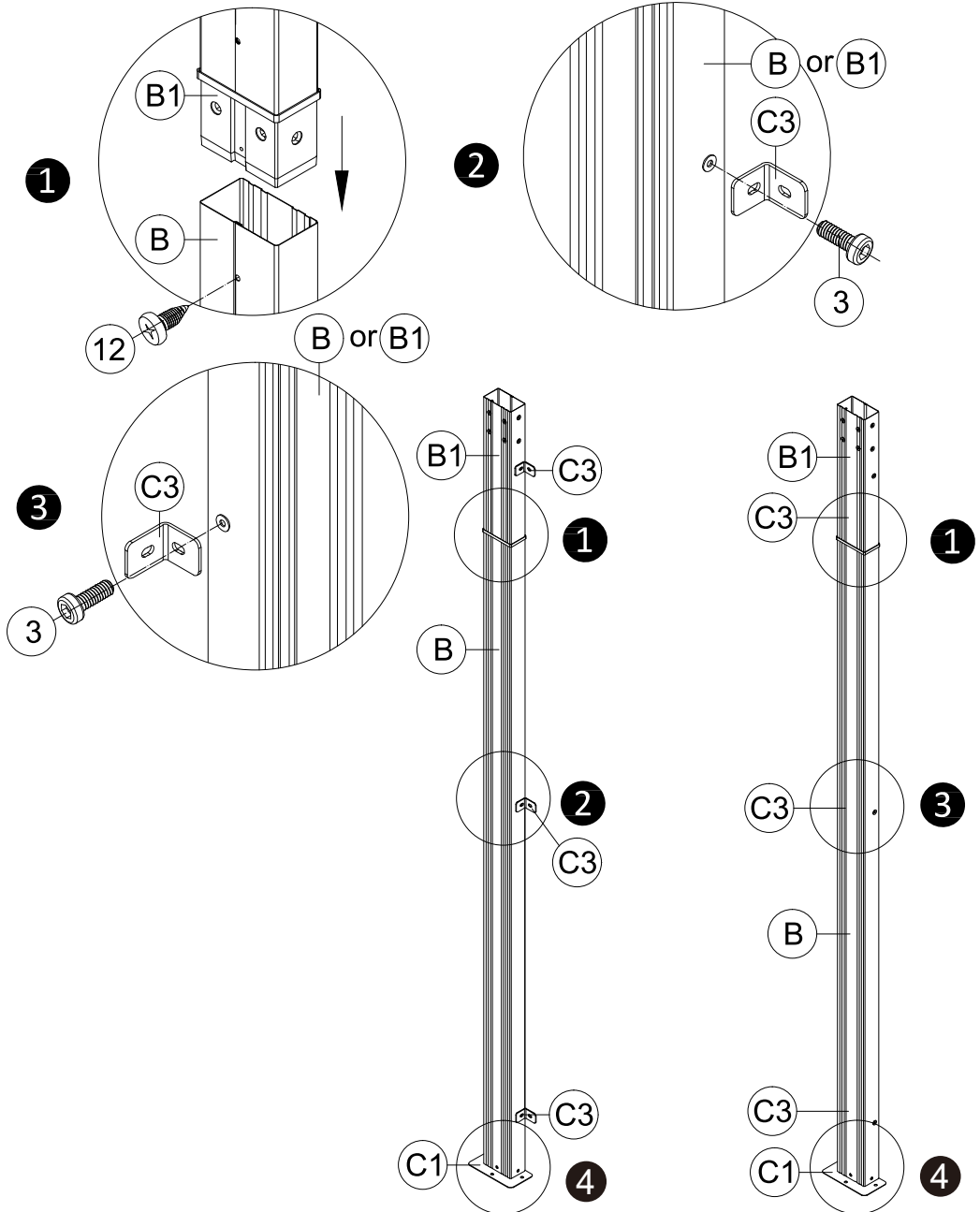
3 14x



ST5x16

12 2x

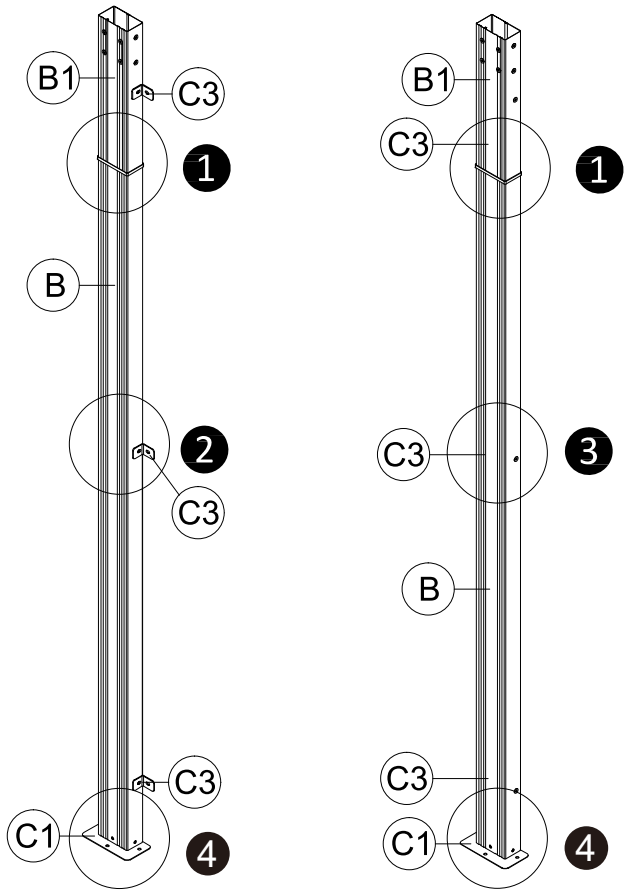
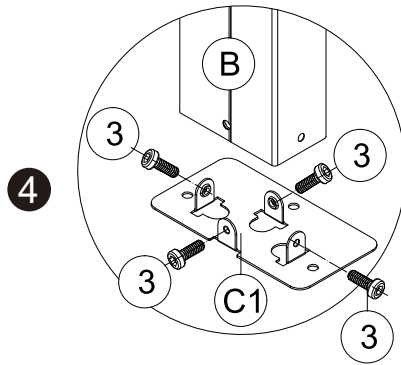
8-1



①: Insert the rear pole (upper) #B1 into the rear pole (lower) #B and secure it with screw #12.

② ③ : Use bolts #3 to secure Bracket #C3 to #B. (If you don't consider fixing it to the wall, you can skip this step.) The bracket #C3 is used to fix the post against the wall. You can assemble only 2 pieces for each post according to the actual installation situation.

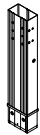
④: Use screws #12 to secure the rear pole (lower) #B to the wall. (If you don't consider fixing it to the wall, you can skip this step.)



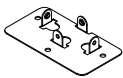
③: Use 4 bolts #3 to secure base #C1 to Pole #B and #B1.



B 1x



B2 1x



C1 1x



K2 2x



C3 3x



1 1x



M6x16

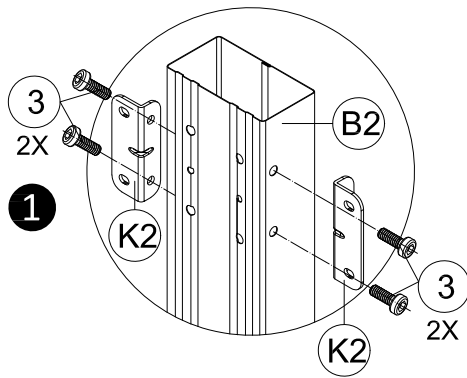
3 11x



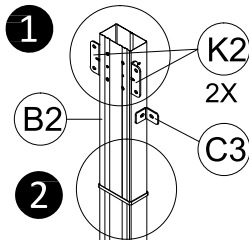
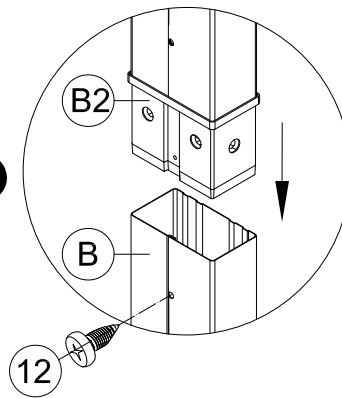
ST5x16

12 1x

9-1



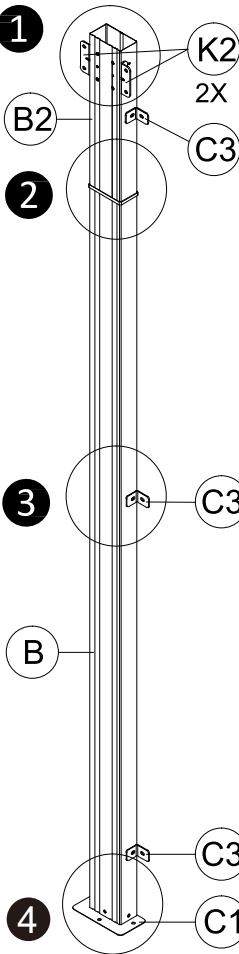
2



2

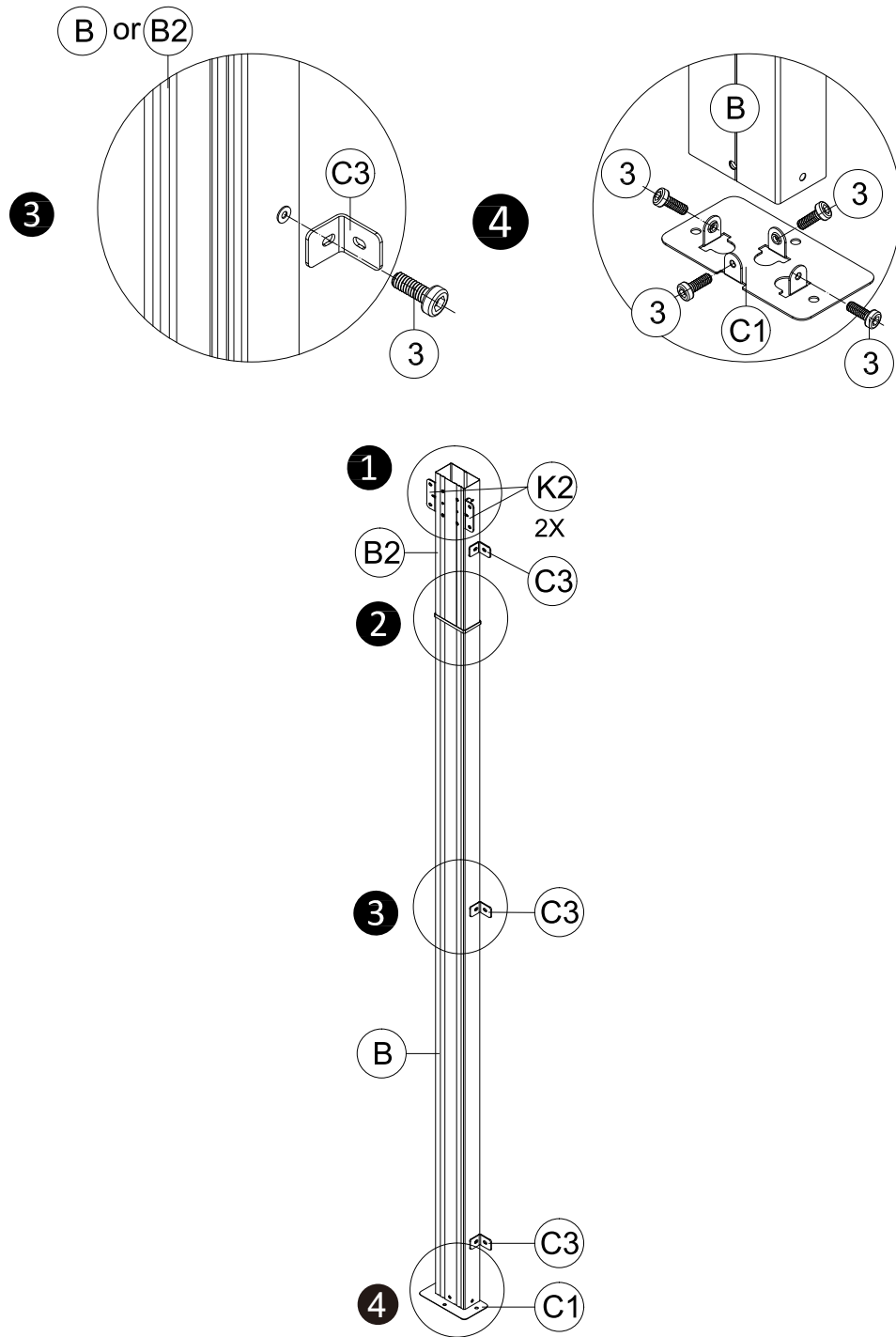
3

4



① Secure the 2 #K2 on both sides of B2 using 4 bolts #3.

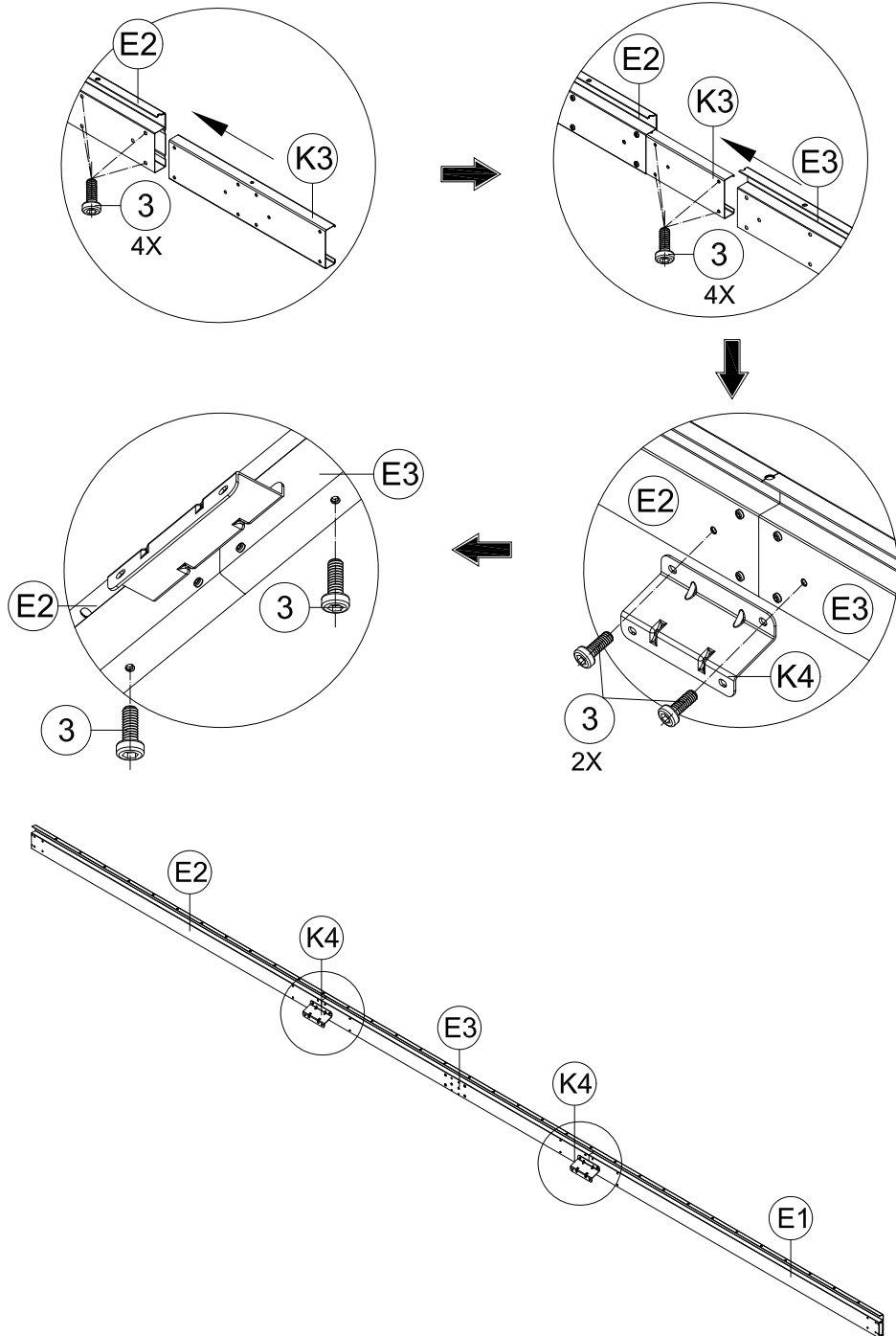
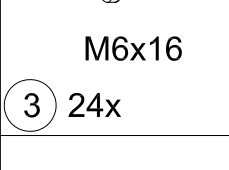
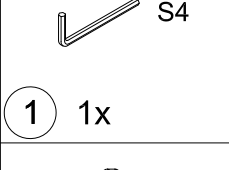
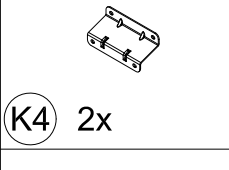
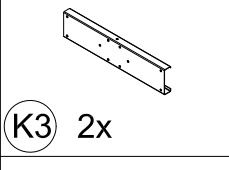
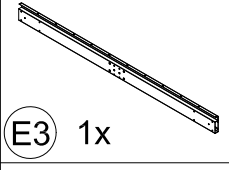
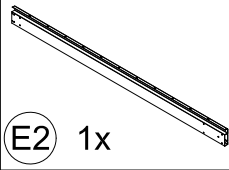
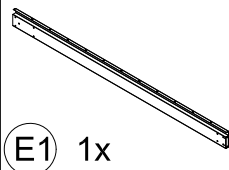
② Insert the rear pole (upper) #B2 into the rear pole (lower) #B and secure it with screws #12.



③ Use bolts #3 to secure Bracket #C3 to #B.(If you don't consider fixing it to the wall, you can skip this step.) The bracket #C3 is used to fix the post against the wall. You can assemble only 2 pieces for each post according to the actual installation situation.

④ Use 4 bolts #3 to secure base #C1 to Pole #B.

Rear Beam Assembly:



(1) Insert the Beam Connector #K3 into the rear beam #E2, and secure it with 4 bolts #3;

(2) Insert the other side of the Beam Connector #K3 into the rear beam #E3, and secure it with 4 bolts #3.

(3) Align the holes and use 2 bolts #3 to secure #K4 to the Rear Beam #E2 & E3.

(4) Secure the bottom of the rear beam with 2 bolts #3.

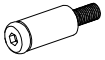


1 1x



M6x16

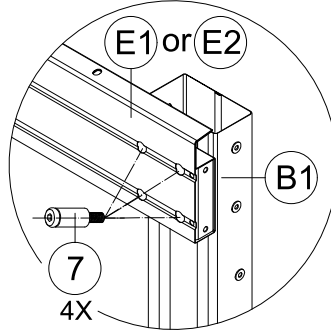
3 4x



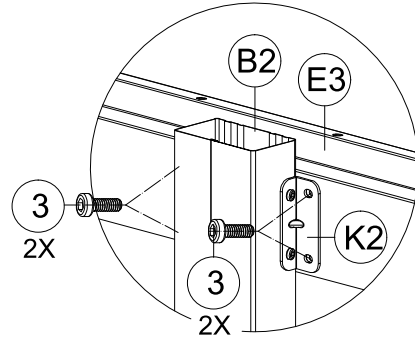
M6x40

7 8x

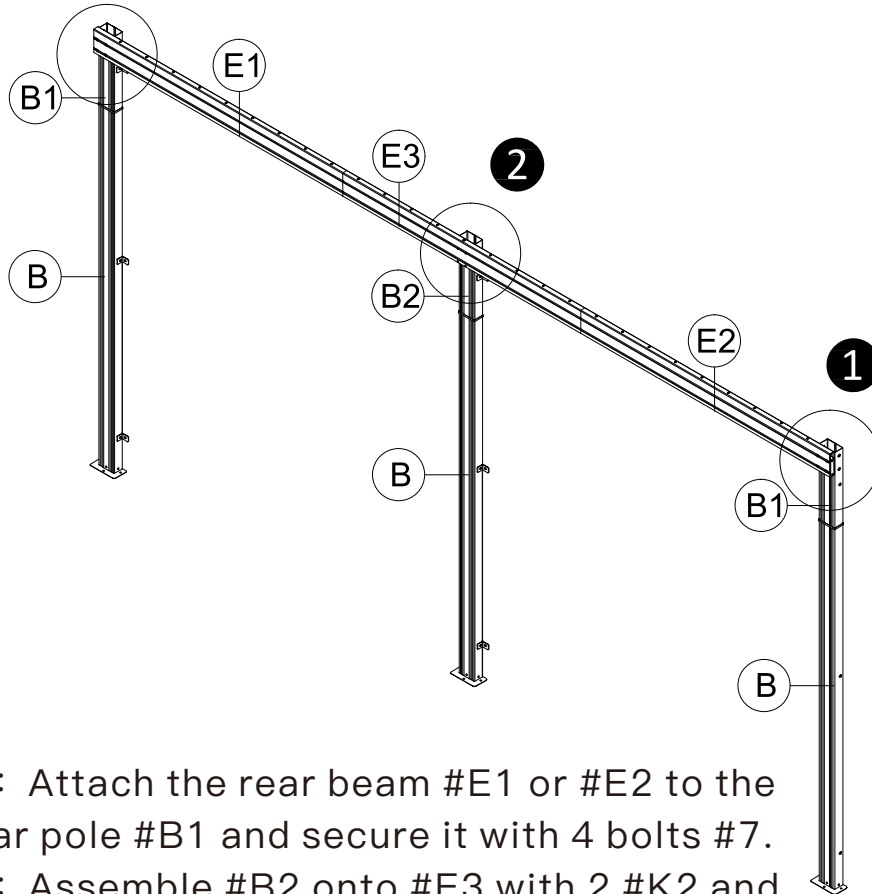
1



2



1

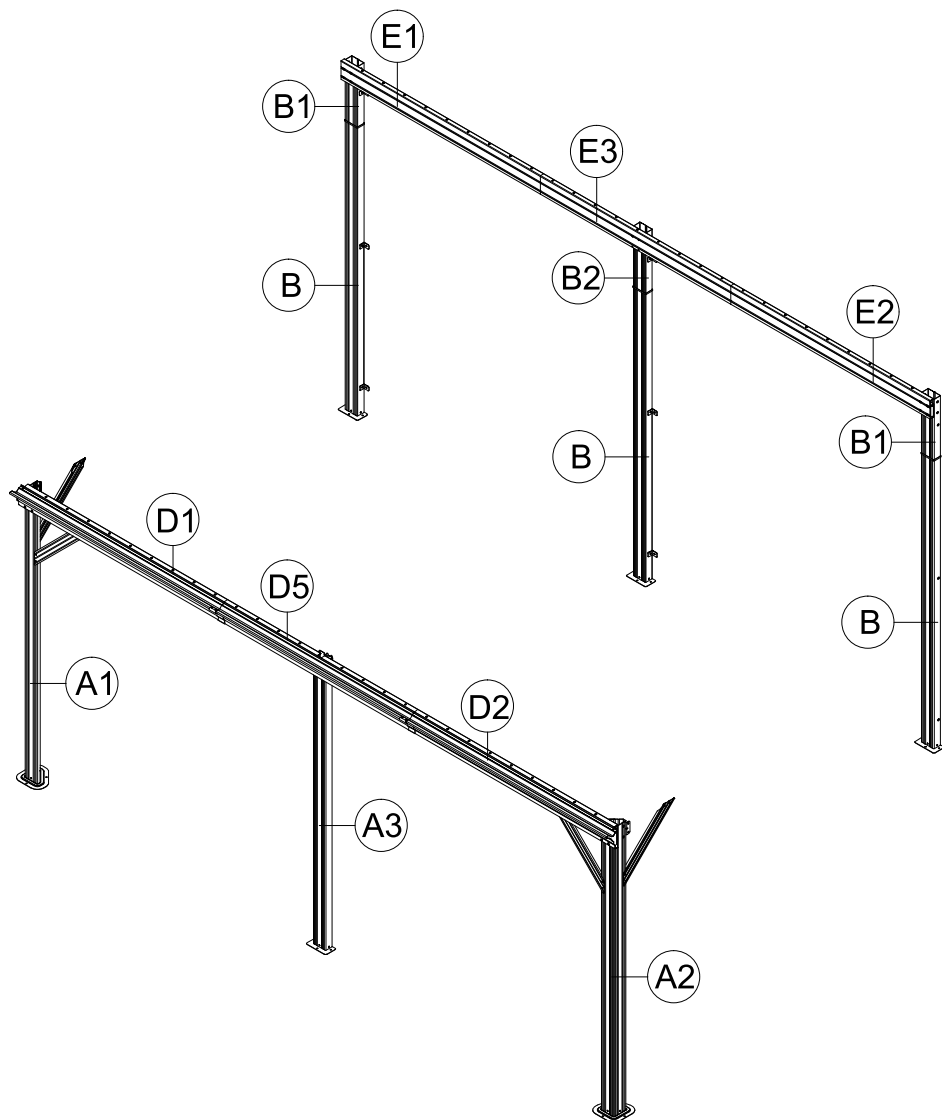


2

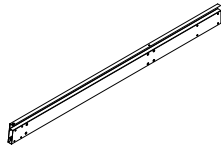
1

①: Attach the rear beam #E1 or #E2 to the rear pole #B1 and secure it with 4 bolts #7.

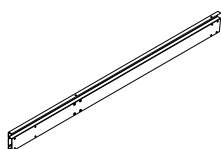
②: Assemble #B2 onto #E3 with 2 #K2 and secure it with 4 bolts #3.



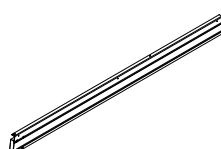
Side Beam Assembly:



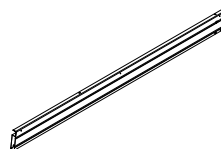
G1 1x



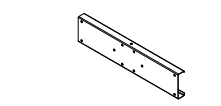
G2 1x



H1 1x



H2 1x



K3 2x

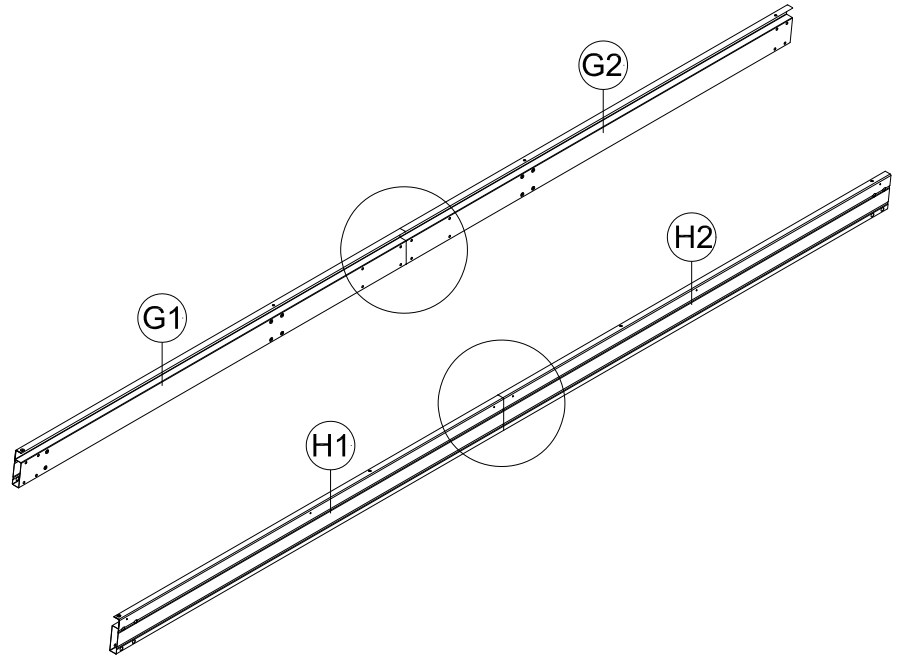
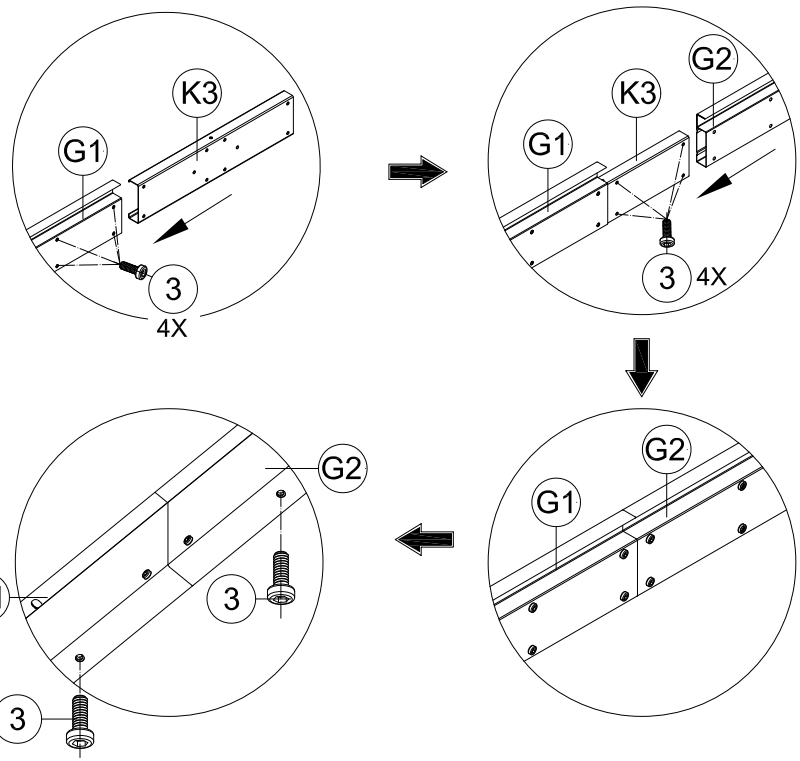


1 1x



3 20x

13



- (1) Insert the Beam Connector #K3 into the side beam #G1, and secure with 4 bolts #3;
- (2) Insert the other side of the Beam Connector #K3 into the side beam #G2, and secure with 4 bolts #3.
- (3) Secure it at the bottom with 2 bolts #3 as shown.

Repeat above procedures to assemble #H1 with #H2.

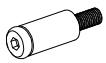


1 1x



M6x16

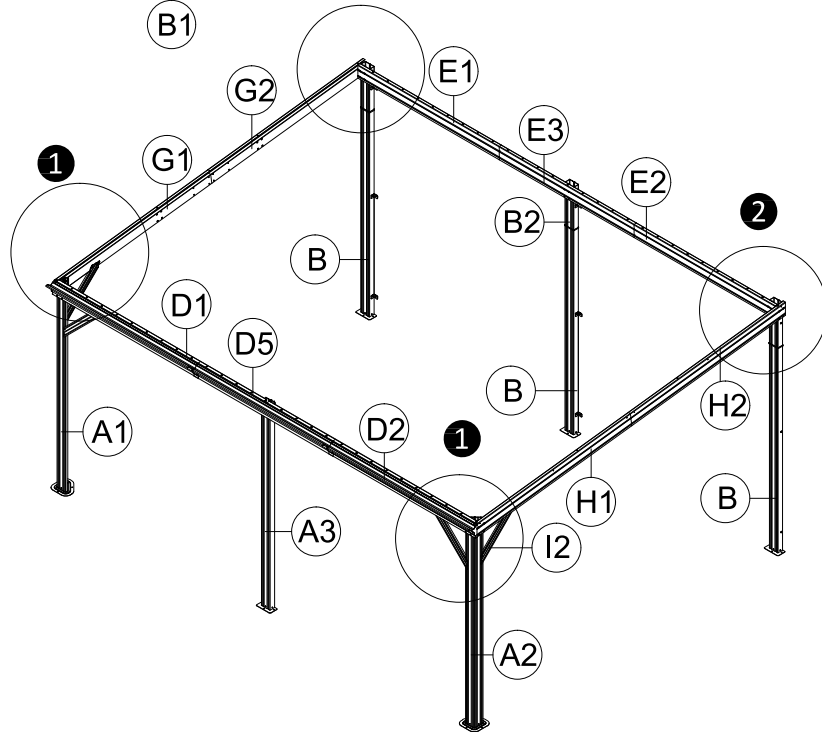
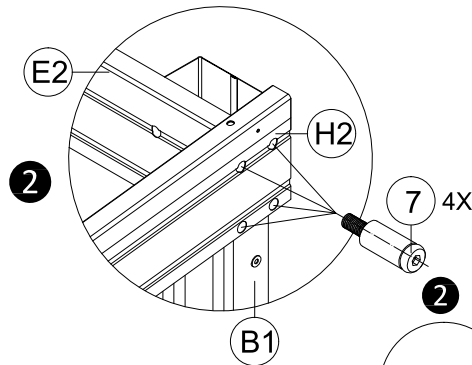
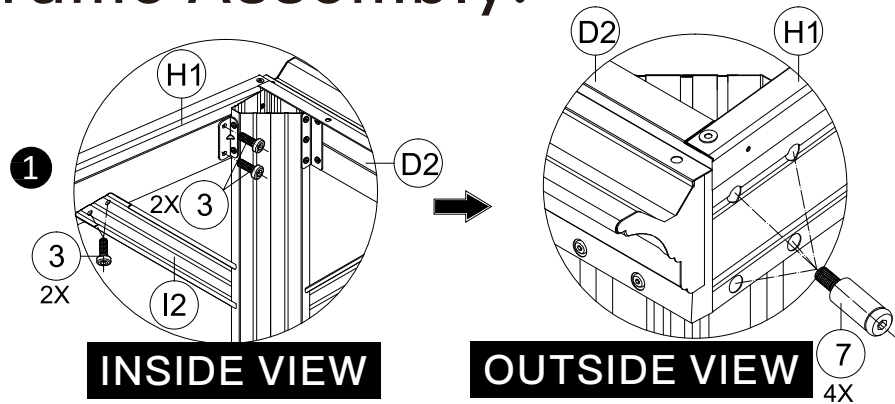
3 8x



M6x40

7 16x

Frame Assembly:



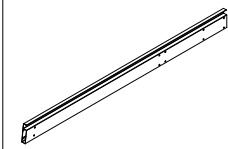
① (1) Use 4 bolts #3 to connect Corner Solidifying Bar #I2 and the Bracket #K2 to the Side Beam #H1.

(2) Use 4 bolts #7 to connect #D2 with #H1.

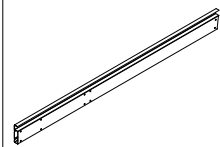
Repeat above procedures to assemble #D1 with #G1.

② Use 4 bolts #7 to connect #H2 with #E2.

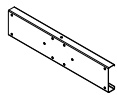
Repeat above procedures to assemble #E1 with #G2.



F5 1x



F6 1x



K3 1x



K5 2x



1 1x



M6x12

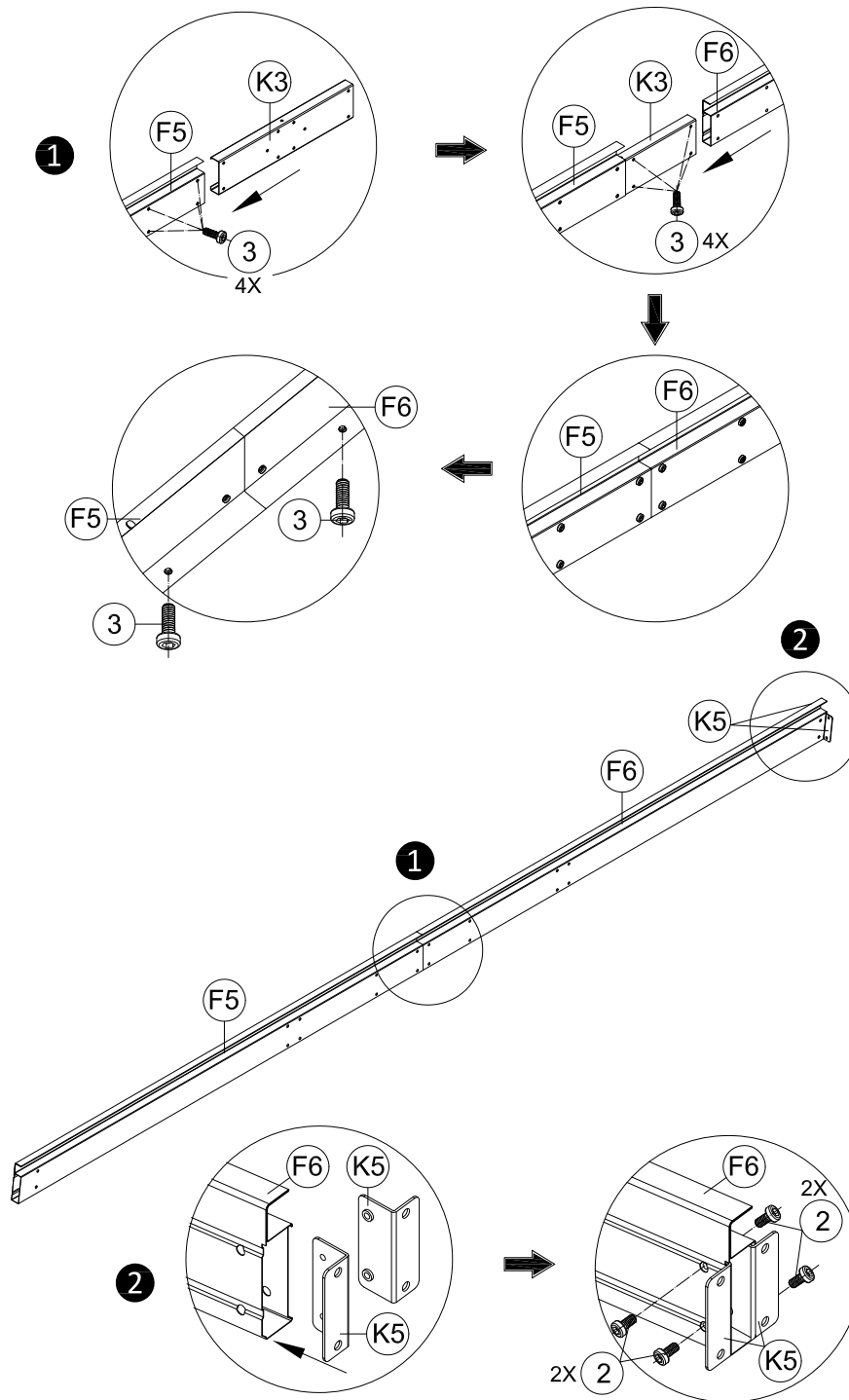
2 4x



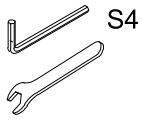
M6x16

3 10x

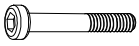
15



- ① (1) Insert the Beam Connector #K3 into the center beam #F5, and secure it with 4 bolts #3;
 (2) Insert the other side of the Beam Connector #K3 into the center beam #F6, and secure it with 4 bolts #3.
 (3) Secure it at the bottom with bolts #3 as shown.
- ② Combine the Bracket #K5 as shown and insert it into #F6, and secure it with 2 bolts #2 on each side.



1 1x



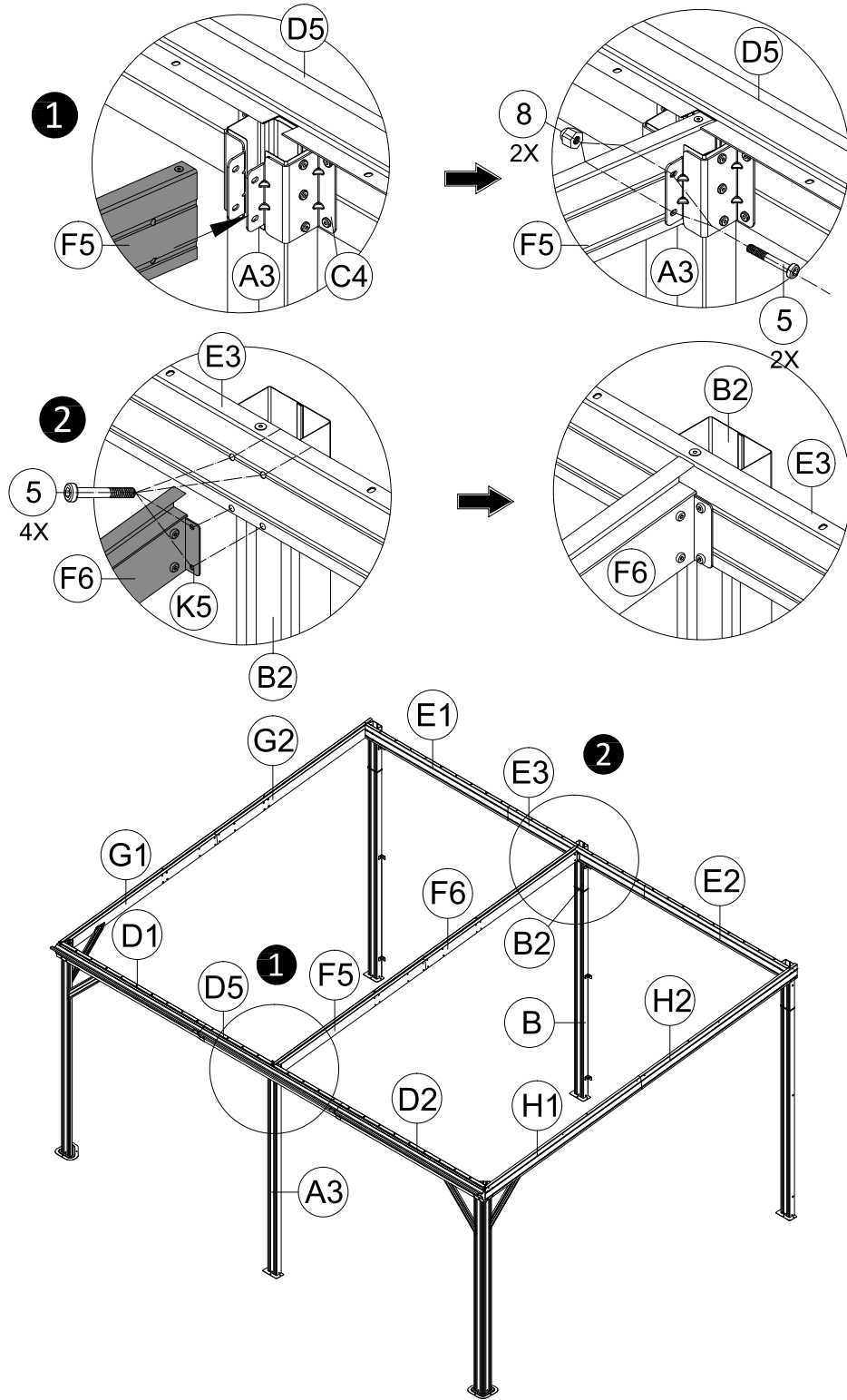
M6x45

5 6x



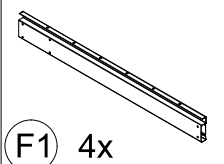
M6

8 2x

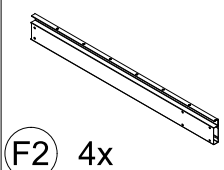


① Insert Centre Beam #F5 into the #A3 slot and secure it with 2 bolts #5 and 2 nuts #8.(Don't fully tighten the bolts in this step)

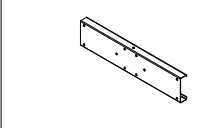
② Use 4 bolts #5 to secure Centre Beam #F6 to the pole #B2 through Bracket #K5 and Beam #E3.



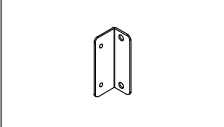
F1 4x



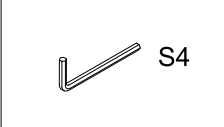
F2 4x



K3 4x



K5 16x



1 1x



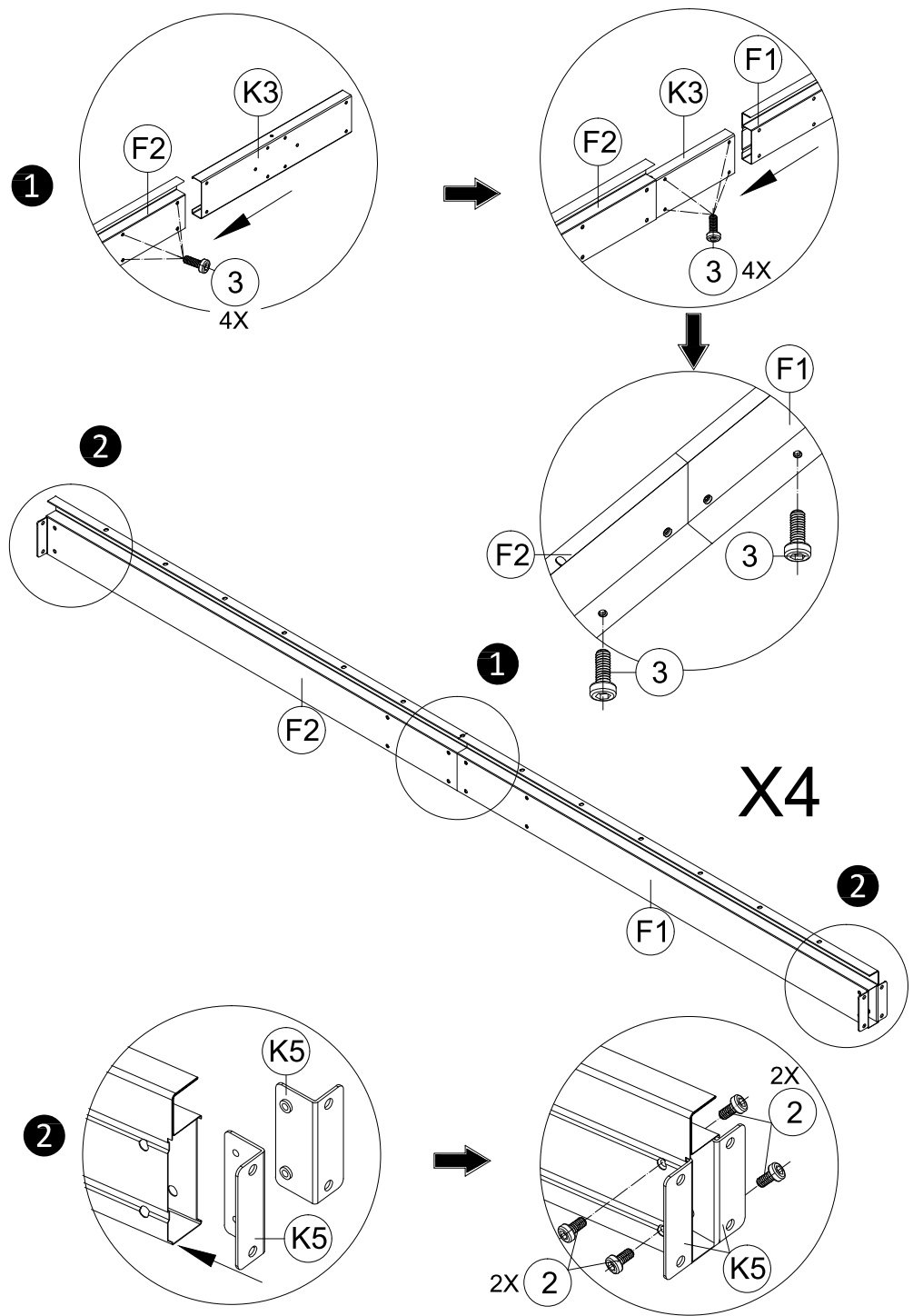
M6x12

2 32x

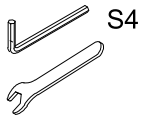


M6x16

3 40x



- ① (1) Insert the Beam Connector #K3 into the center beam #F2 , and secure it with 4 bolts #3;
 (2) Insert the other side of the Beam Connector #K3 into the center beam #F1, and secure it with 4 bolts #3.
 (3) Secure it at the bottom with bolts #3 as shown.
- ② Combine the Bracket #K5 as shown and insert it into #F1 and #F2, and secure it with 2 bolts #2 on each side.
- Repeat the above procedures to assemble the other 3 beams.

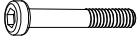


1 1x



M6x16

3 16x



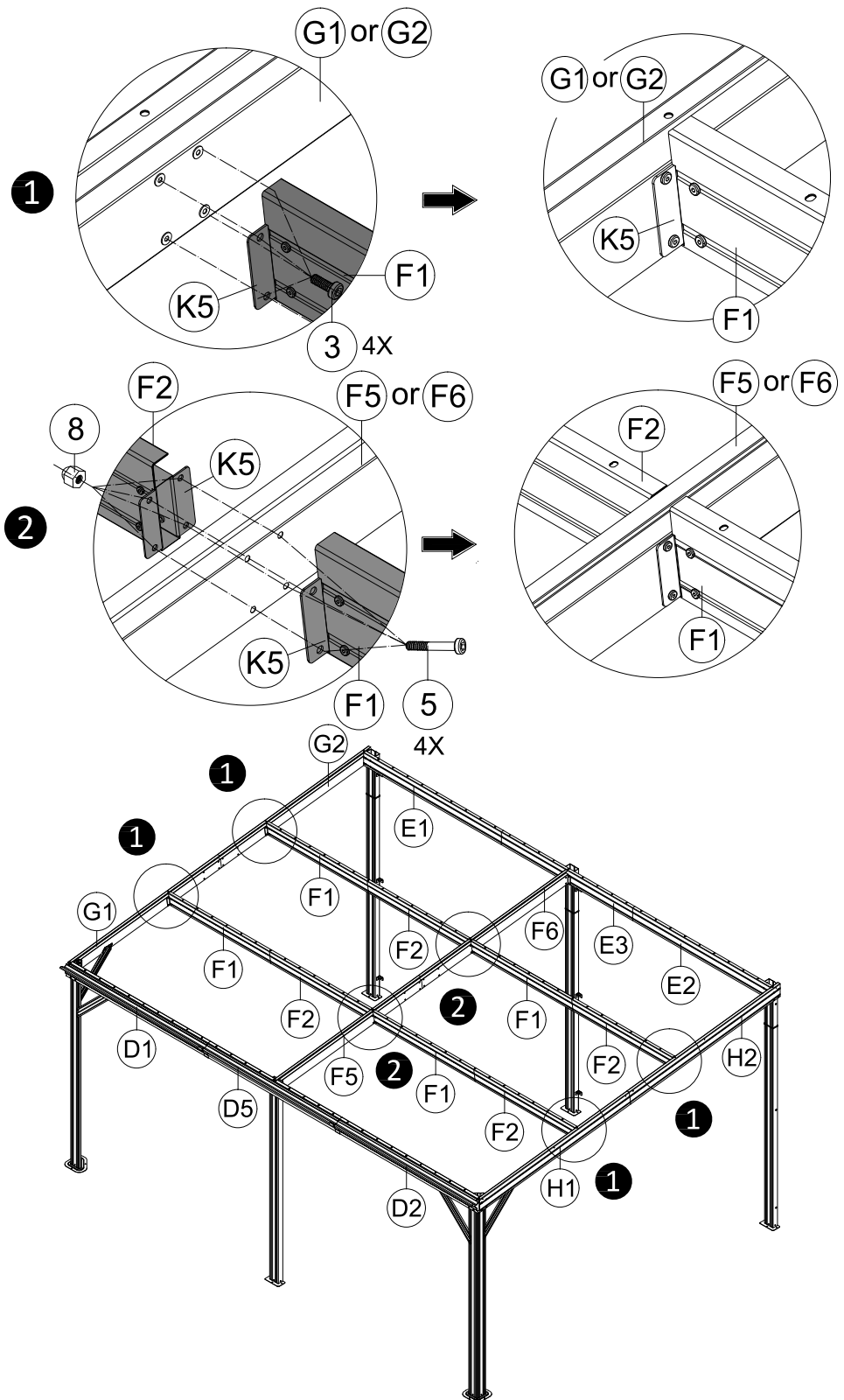
M6x45

5 8x



M6

8 8x

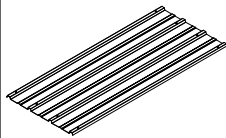


① Assemble the two middle beams #F1 with the side beam #G1/G2 using Bracket #K5, and secure them with 4 bolts #3.

② Attach #F2 and #F1 to the #F5 or #F6, secure them with 4 bolts #5 and 4 nuts #8.

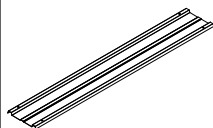
Note: Please don't fully tighten the bolts until all the bolts have been screwed in place.

Roof Panel Assembly:

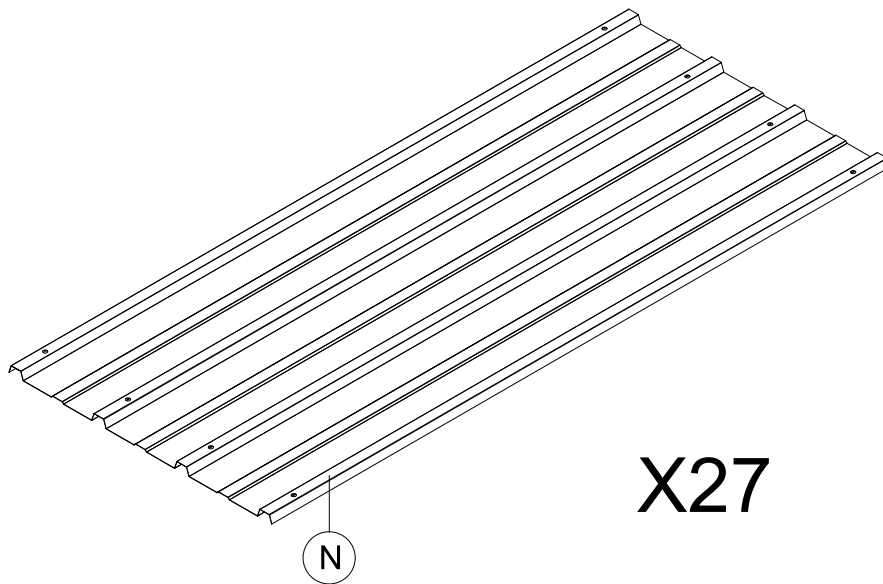


N 27x

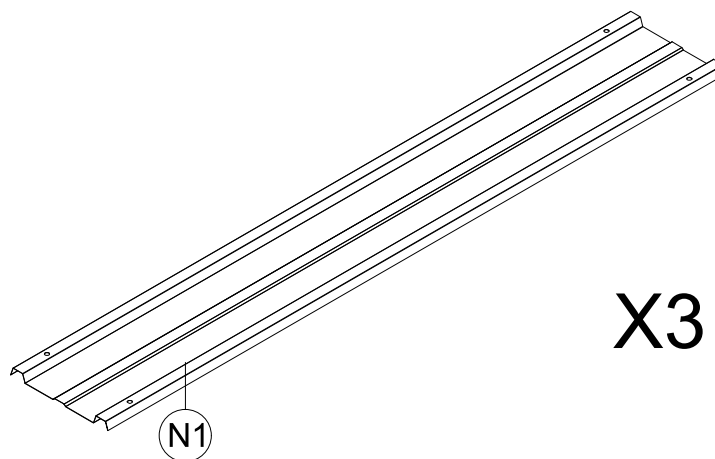
Remove the protective film of the panels before installing the roofing panels.



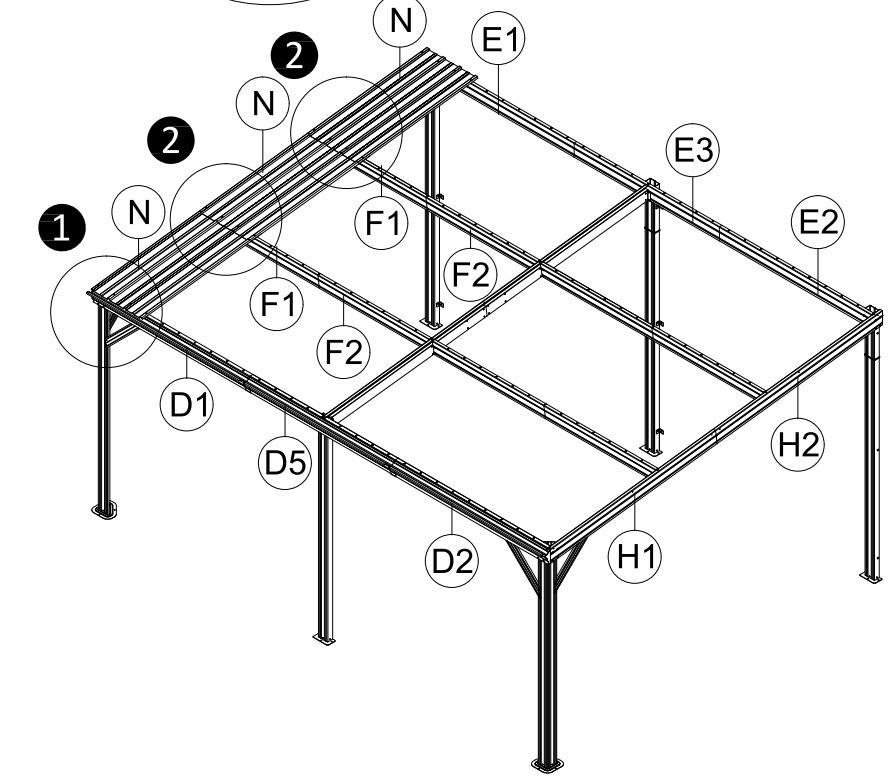
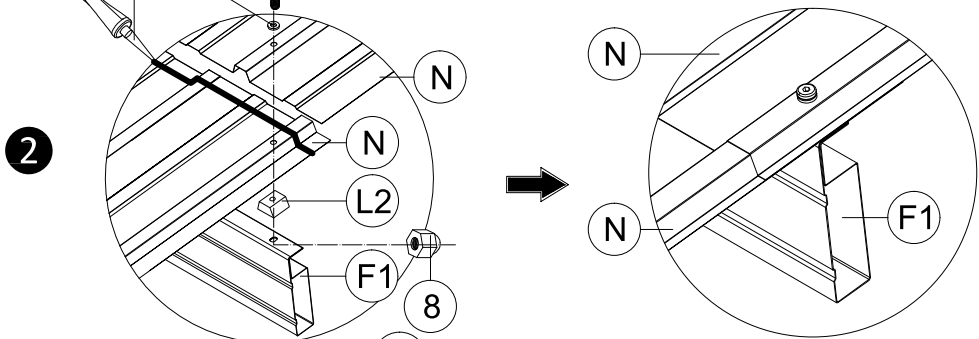
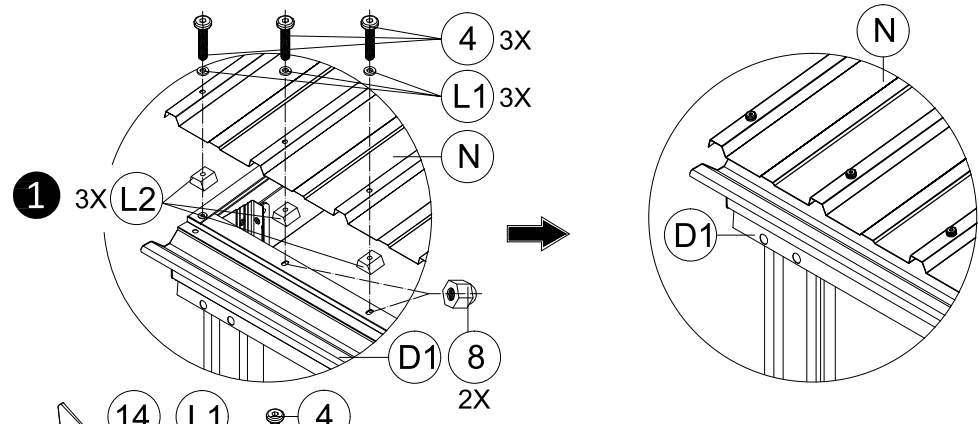
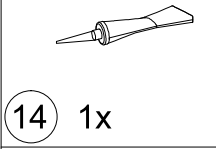
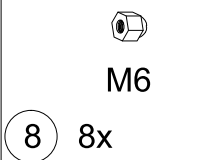
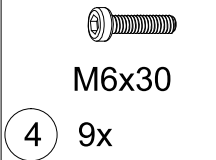
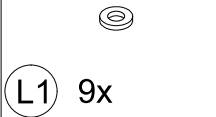
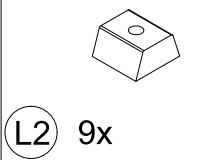
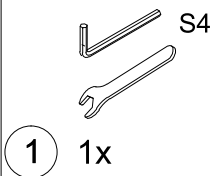
N1 3x



X27



X3



① Install in the order of “Black Rubber #L2, Roof Panels #N, Rubber gaskets #L1, bolts #4” as shown, and connect with the front beam #D1. Secure the bottom with Nuts #8.

② Apply sealant to the first row of roof panels as shown. Follow the steps of the first row to install the second and third row of roof panels and fix with bolts and nuts.



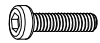
1 1x



L2 72x



L1 72x



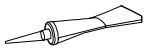
M6x30

4 72x

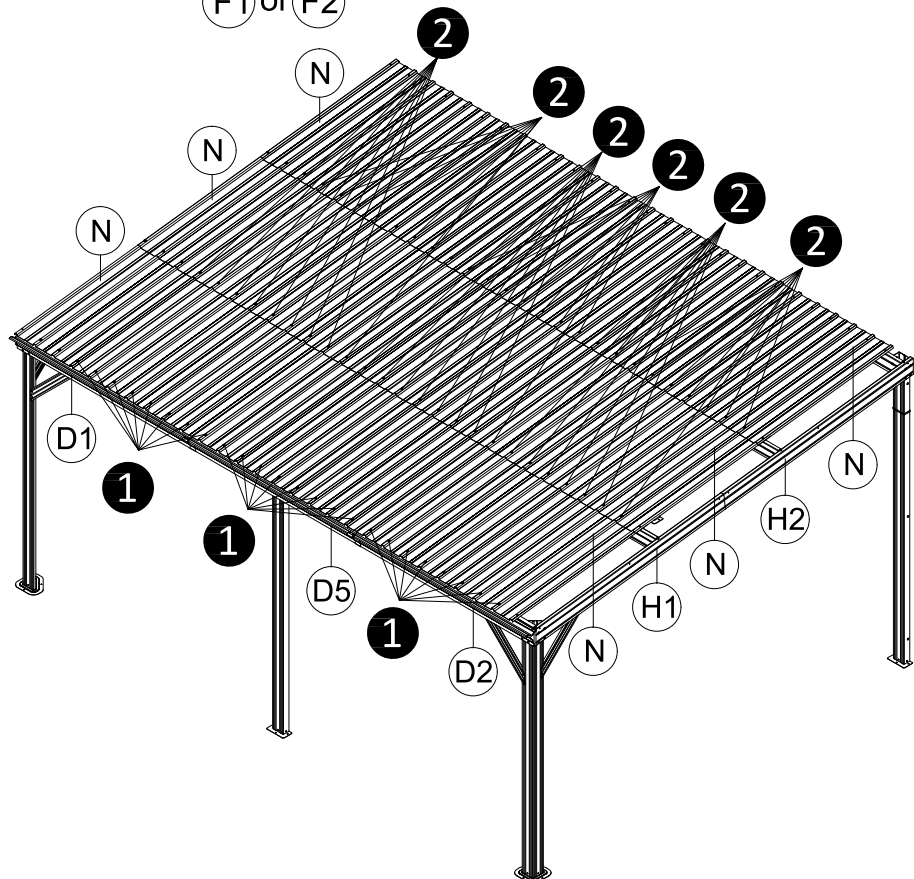
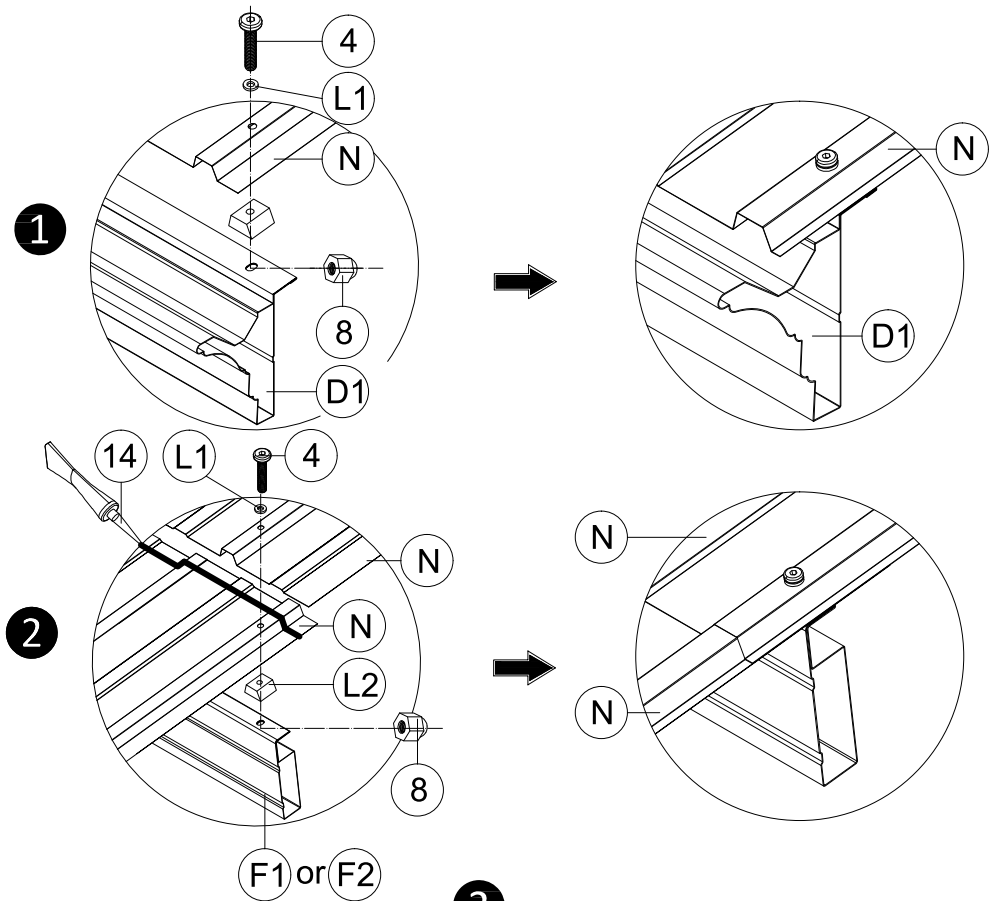


M6

8 72x



14 1x



21

Repeat above procedures to assemble 24 Roof Panels #N.
The connection point should apply with silicon sealant.



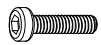
1 1x



L2 6x



L1 6x



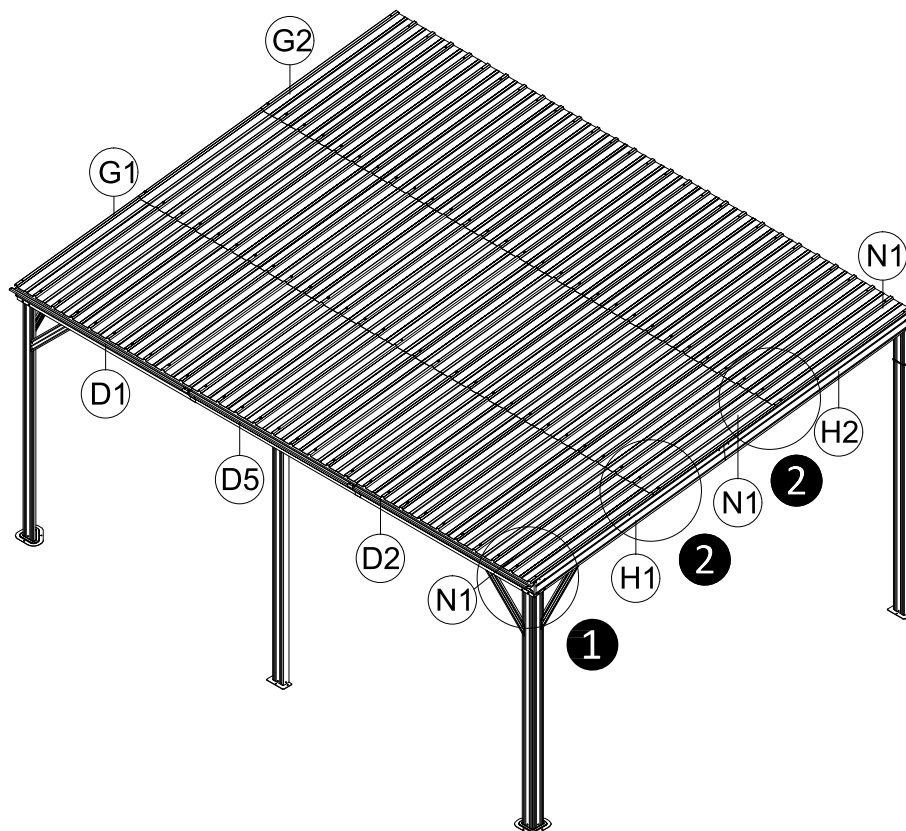
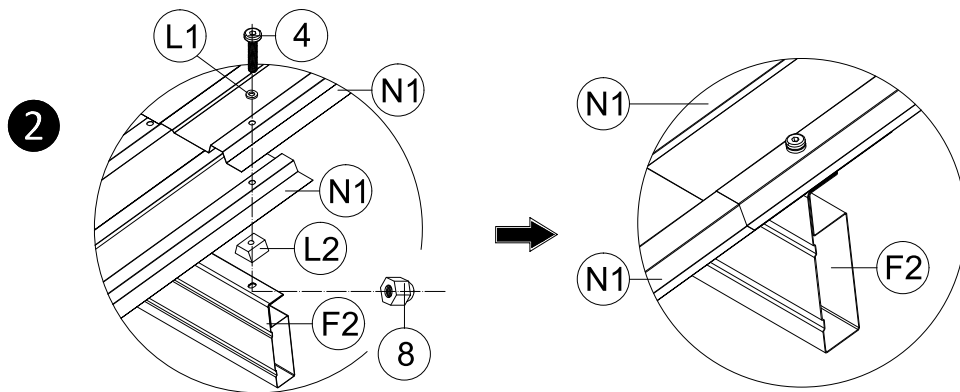
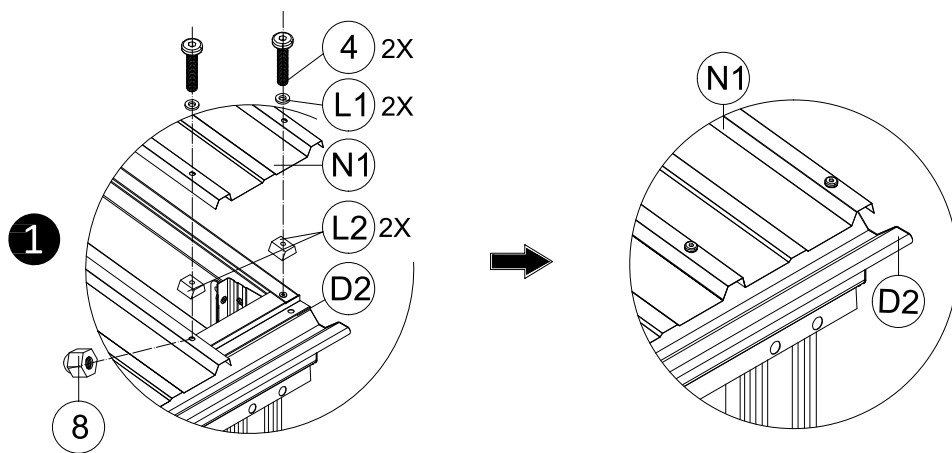
M6x30

4 6x



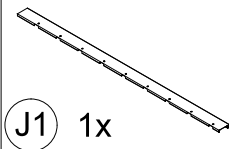
M6

8 5x

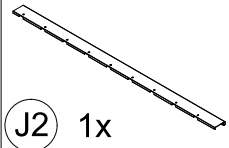


22

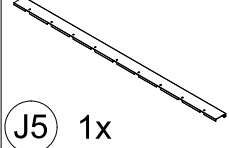
Repeat above procedures to assemble 3 Roof Panels #N1.



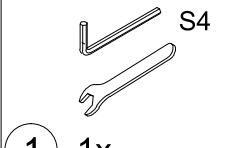
J1 1x



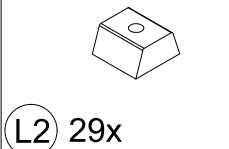
J2 1x



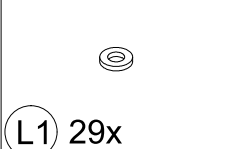
J5 1x



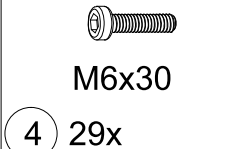
1 1x



L2 29x



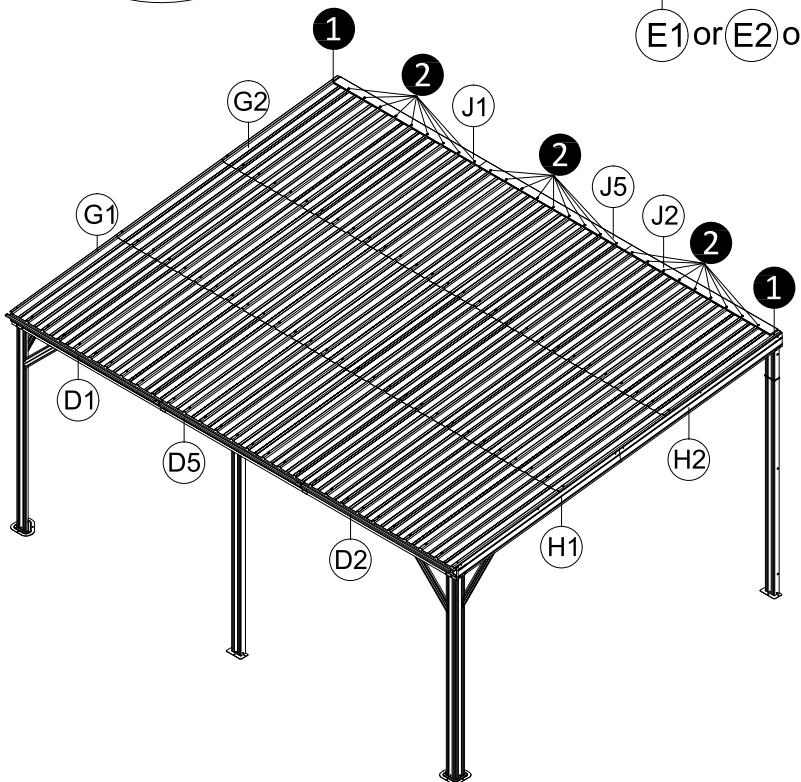
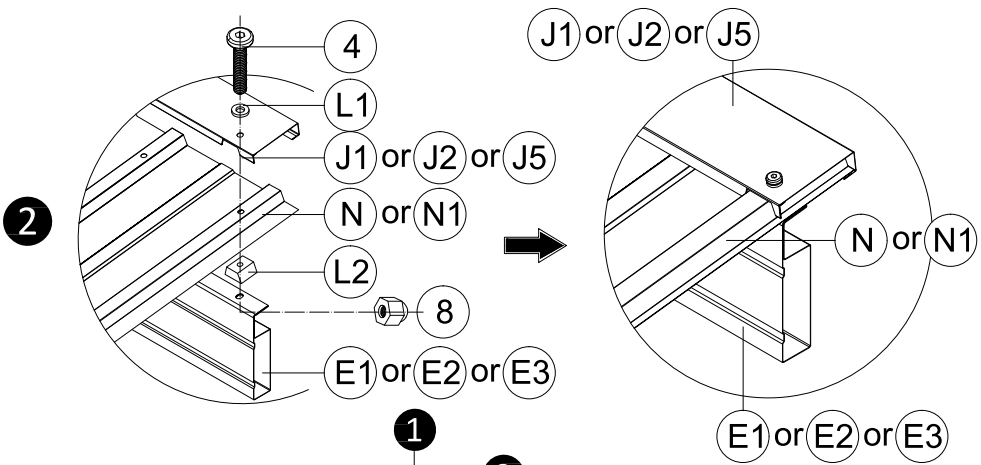
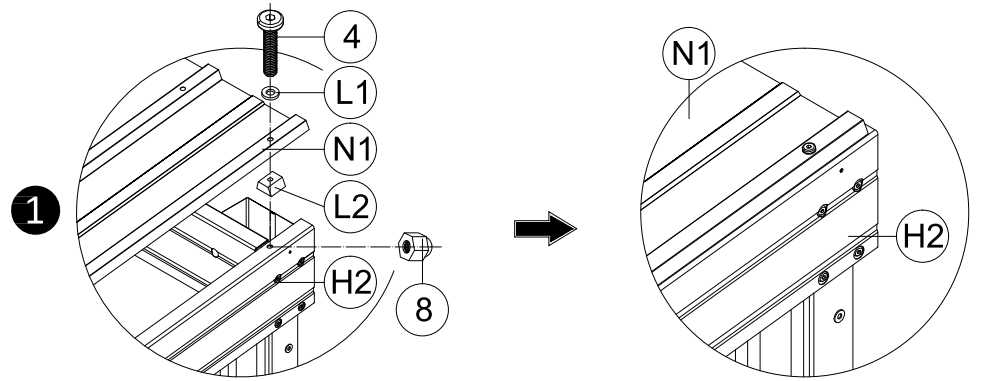
L1 29x



4 29x

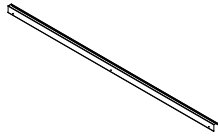


8 29x



①: Place the rubber spacer #L2 between the beam and the roof panels #N1, then secure it using bolts #4 and rubber gaskets #L1 along with Nuts #8. Repeat the above procedures to assemble another side.

②: Place Roof Cover #J1 or #J2 or #J5 on the higher side of the roof. Insert rubber spacer #L2 into the gap between the beam and the roof panels. Secure with bolt #4, rubber gaskets #L1, and nuts #8.



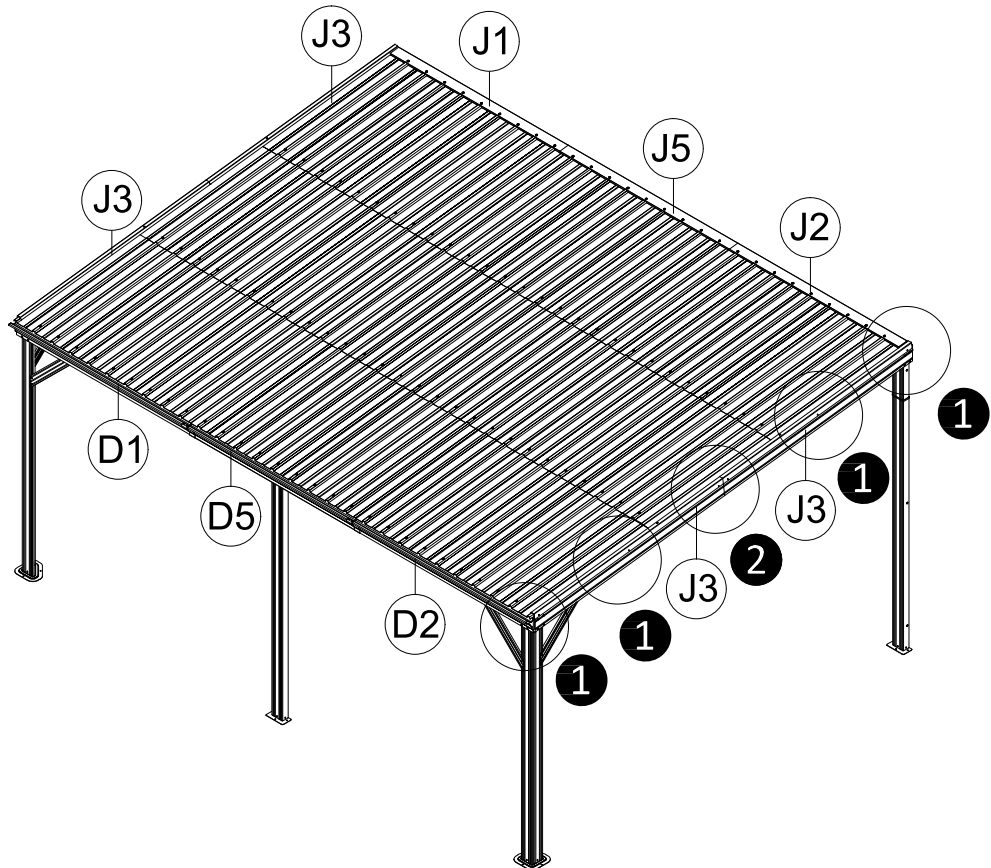
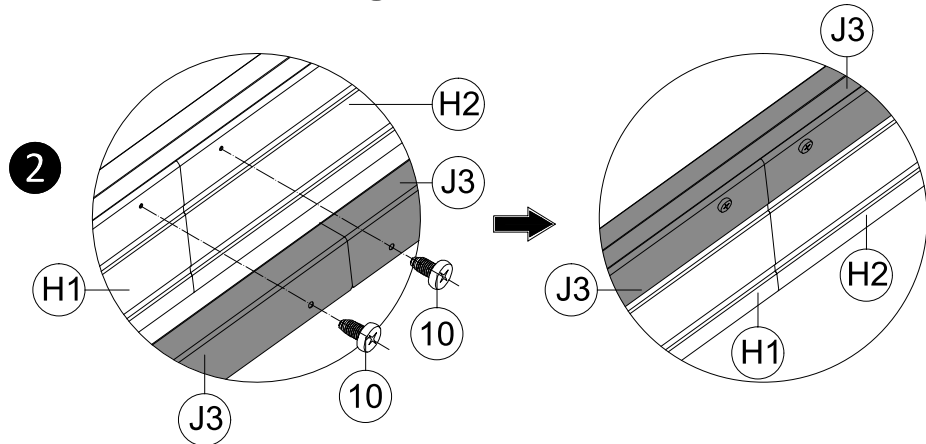
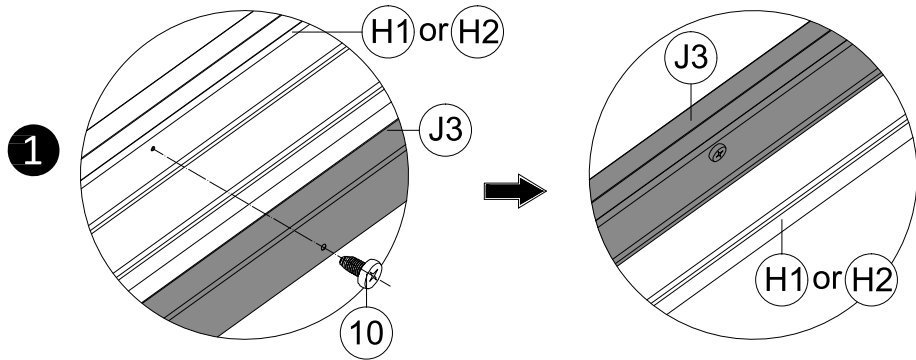
J3 4x



BST4. 2x10

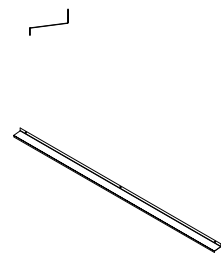
10 12x

Side Roof Cover Assembly:



Installation of the rear drip rail

Install this step if you need fix the canopy to the wall (you need to drill holes into the wall). Otherwise please skip this step.

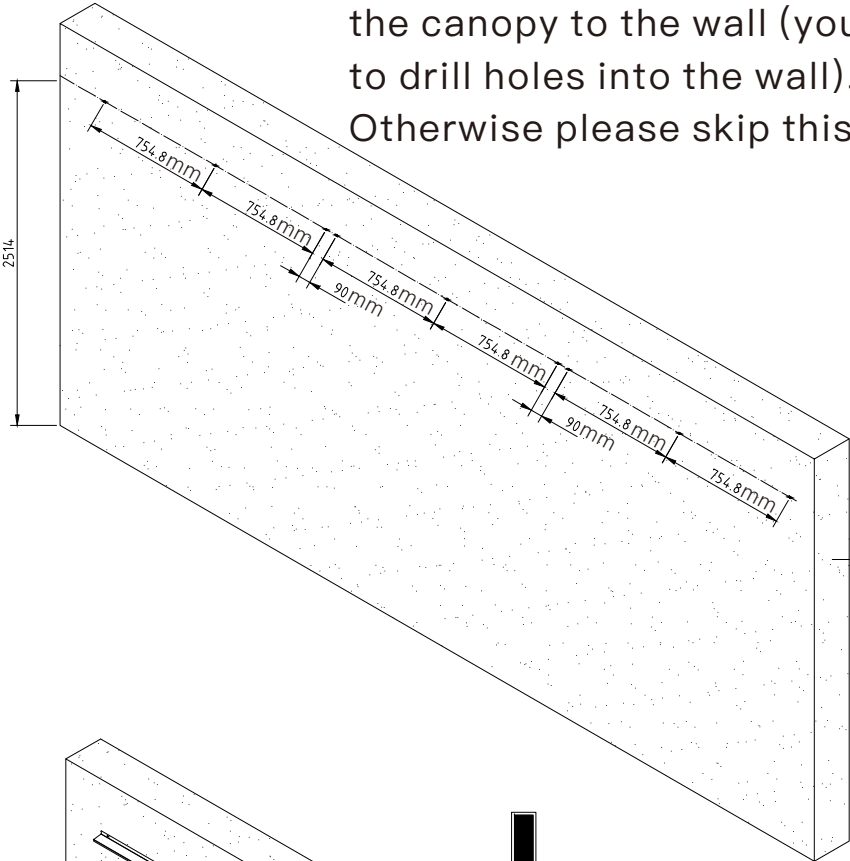


J4 3x

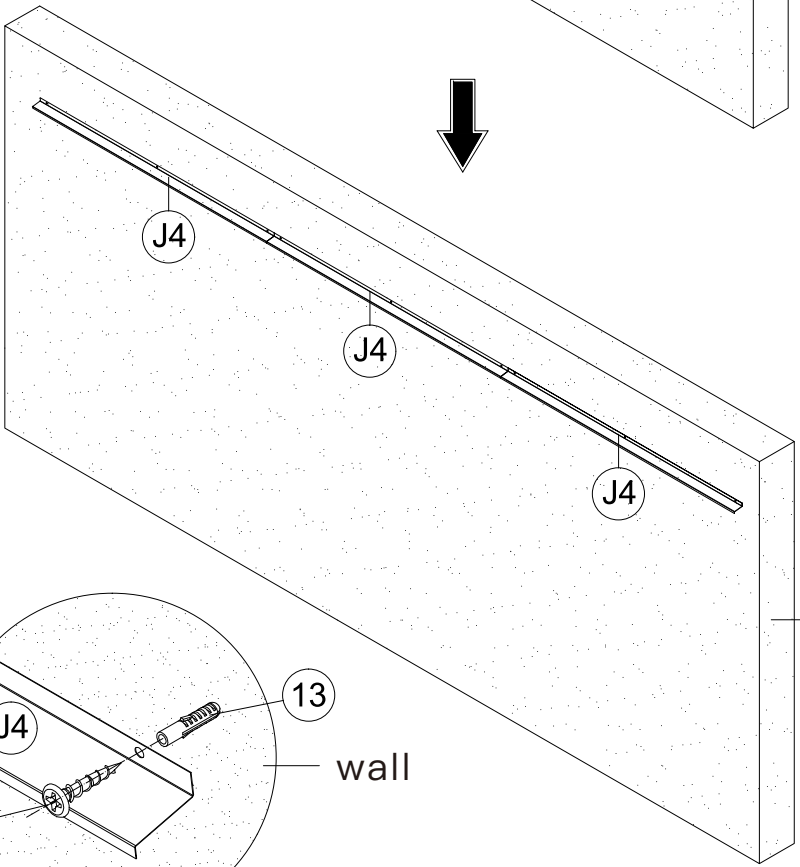


M6x70

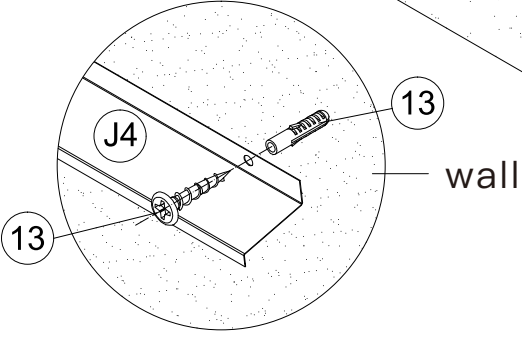
13 9x



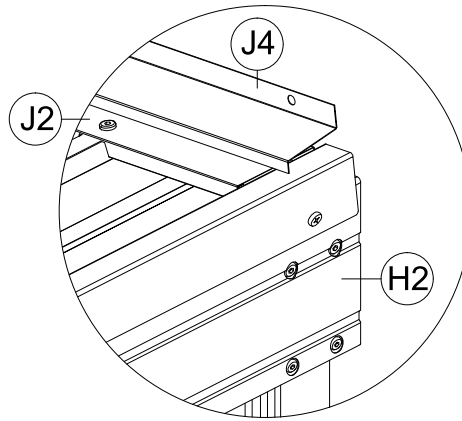
wall



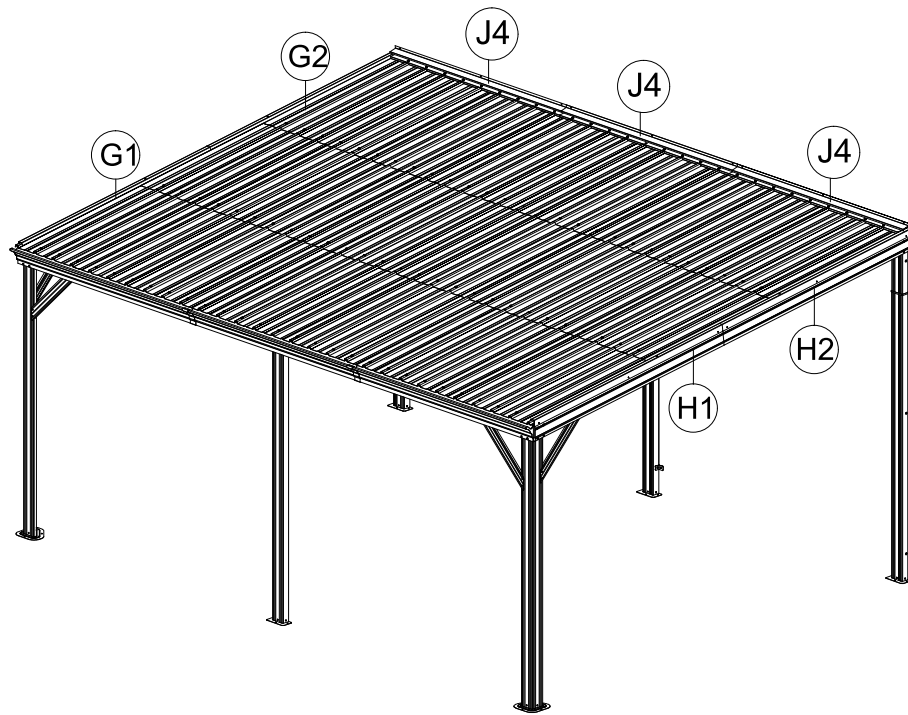
wall



wall



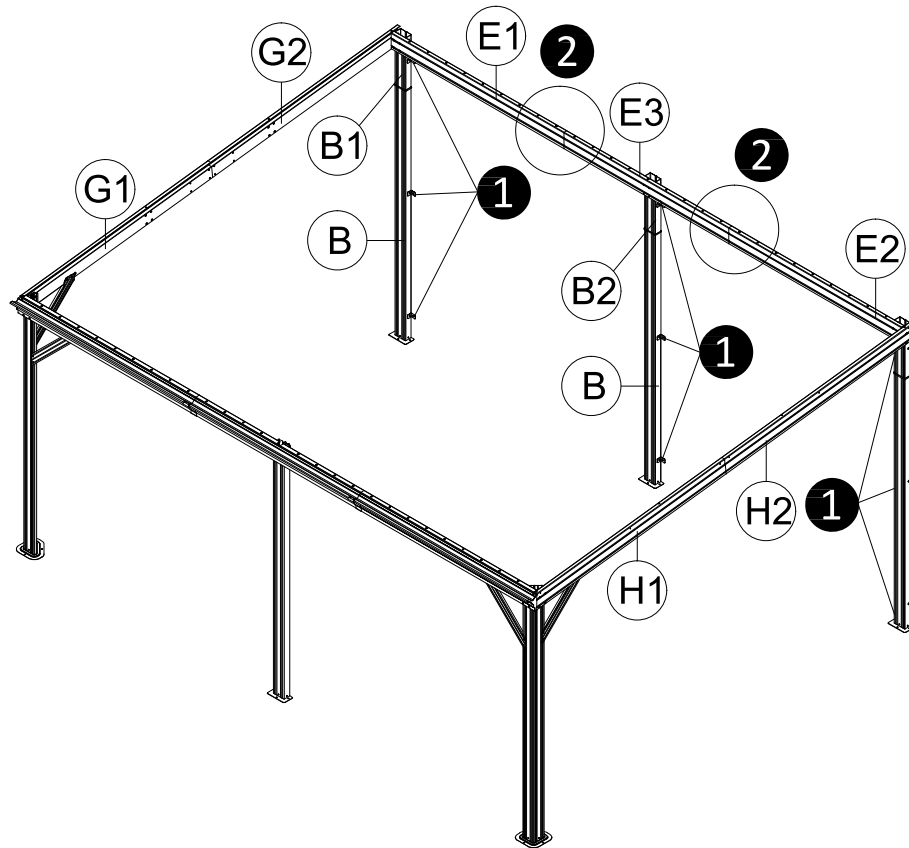
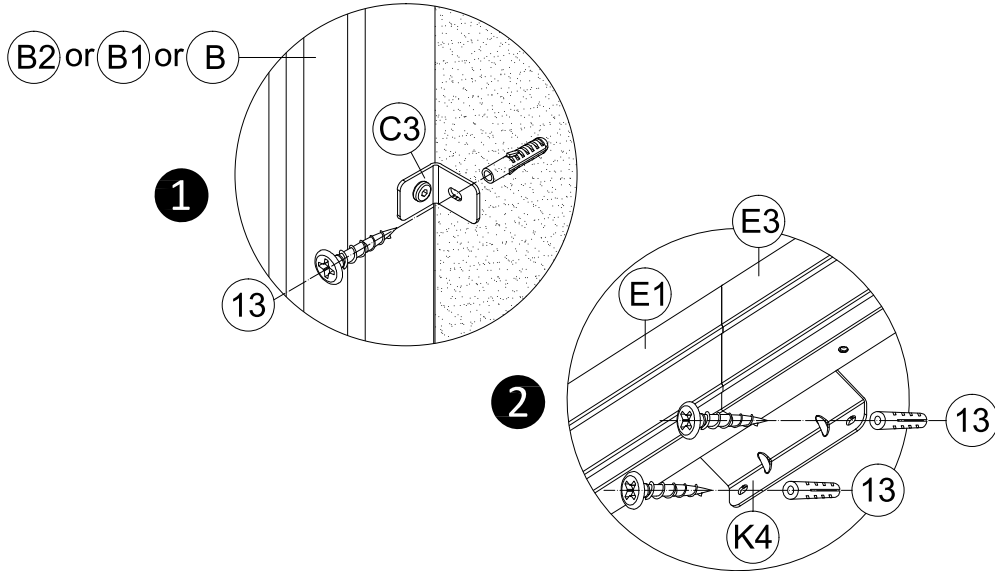
Push the assembled gazebo into the pre-installed rear rain strip. The installation is as shown in the diagram.



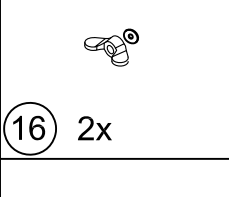
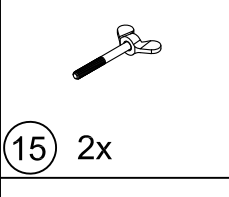
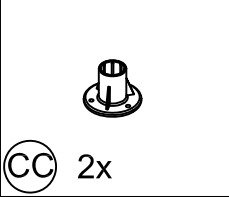
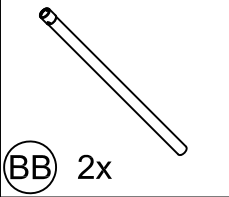
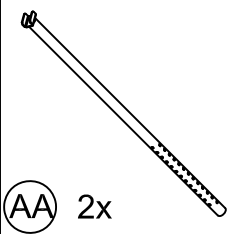


M6x70

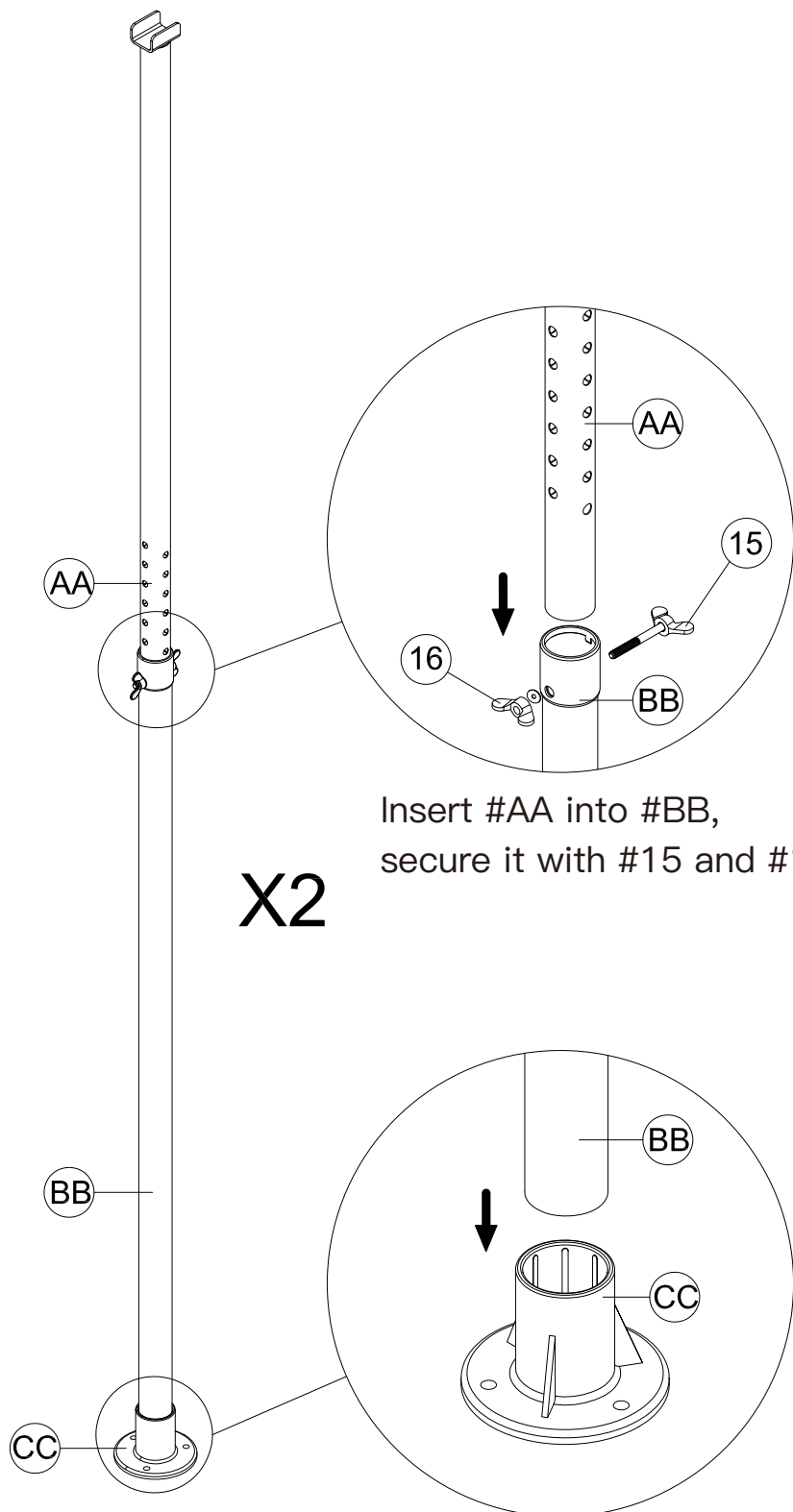
13 13x



① Insert drywall anchor #13 into the wall and screw in bolt #13 through #C3 to secure rear posts to the wall.
② Insert drywall anchor #13 into the wall and screw in bolt #13 through #K4 to secure rear beam to the wall.
(If you don't consider fixing it to the wall, you can skip this step.)



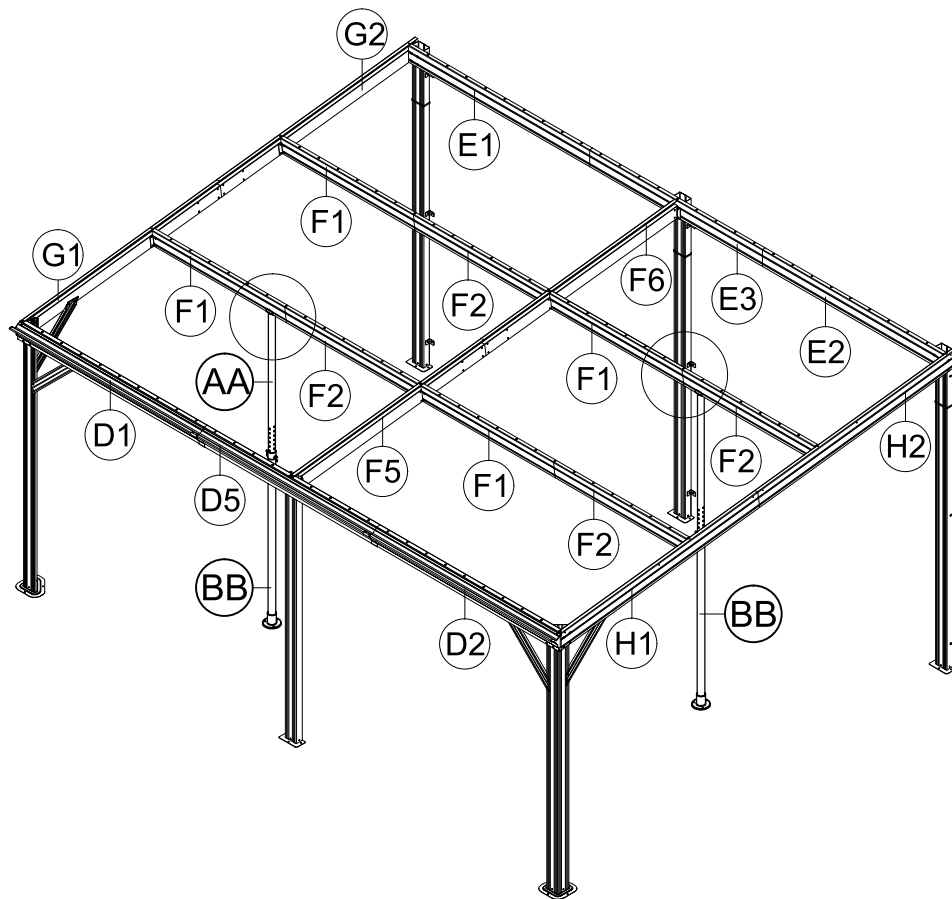
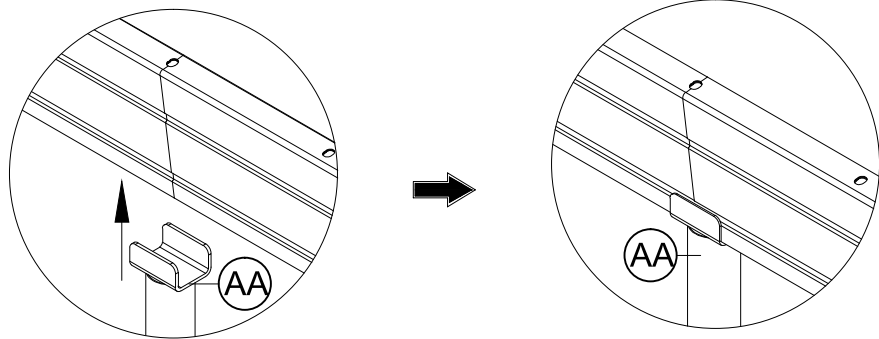
28



Insert #AA into #BB,
secure it with #15 and #16.

X2

Insert #BB into the base #CC.



The support tube can strengthen the weight capacity of the metal roof. In bad weather, especially snowstorm, it is essentially needed to prevent the roof from collapsing under heavy snow. In daily life, you can put it away.



Thanks for your purchase.

At domi outdoor living, we believe in our products.

That's why we provide a 12-month warranty and

friendly, easy-to-reach after-sales service. So if you

have any questions about our product and assembly-

,please feel free to contact us. We will be here for you.

Support:  

After-sales contact email:

service@domioutdoorliving.com

Business cooperation contact email:

marketing@domioutdoorliving.com

Please tell us your order ID when contact.

Attach photos of damaged part for instant reply.