

BENCH OTTOMAN



ASSEMBLY INSTRUCTIONS

We have designed our furniture with you , the customer in mind . Our clear , easy to follow , step by step instructions will guide you through the project from start to finish . Feel confident that this will be a fun and rewarding project . The final product will be a quality piece of furniture that will go together smoothly and give years of enjoyment .



Please do not return to the store

. Broken or missing parts?

. Need help with assembly?

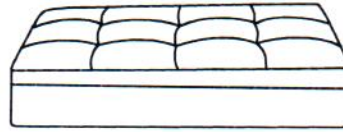
Hardware Pack

Hardware Identification

For ease of identification all hardware is organized into separate Hardware Packs for each Step in the Instruction Manual.

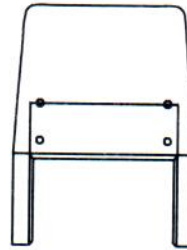
A x 1

OTTOMAN
BENCH



B x 2

SIDE
ASSEMBLY



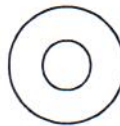
C x 8

ALLEN BOLTS



D x 8

WASHERS

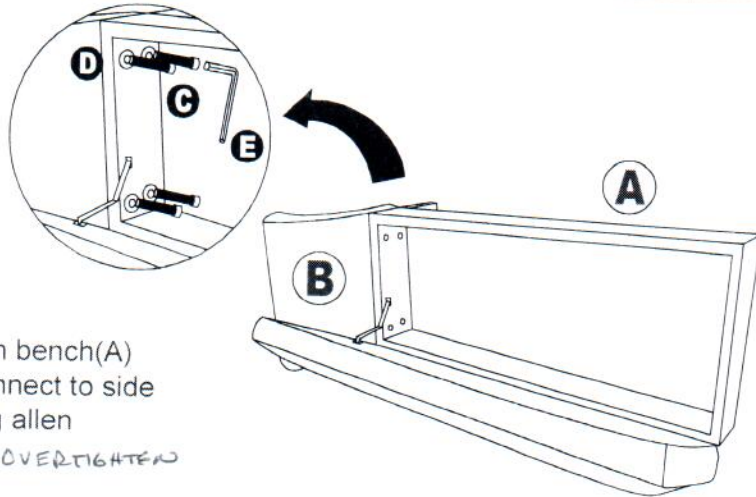


E x 1

ALLEN WRENCH

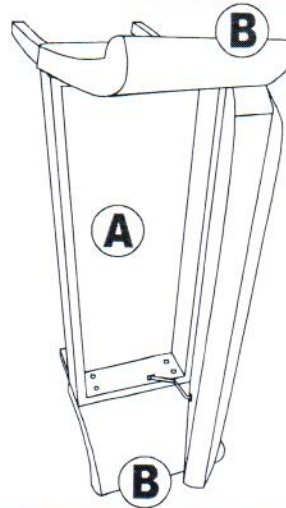


Step 1



Step 2

Repeat step1 for remaning side.



Step 3

Enjoy!

