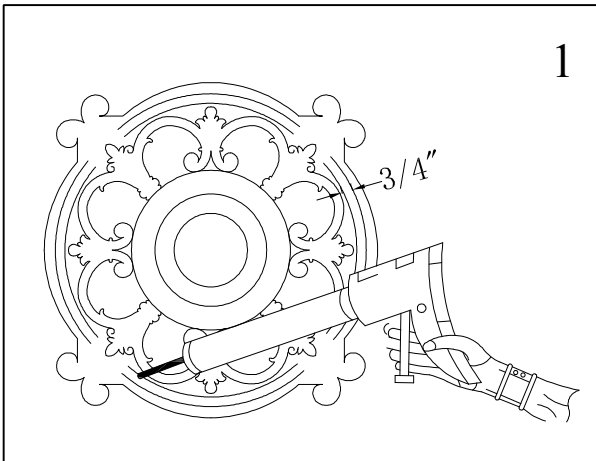
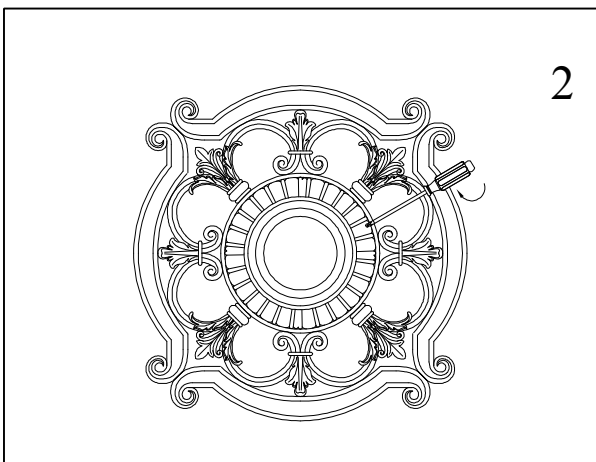


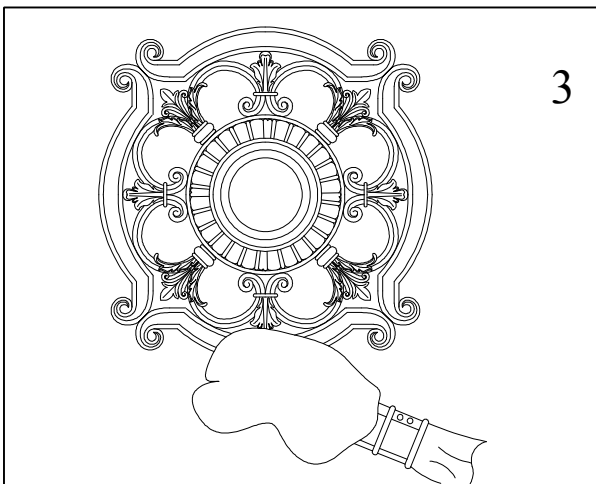
INSTALLATION GUIDE



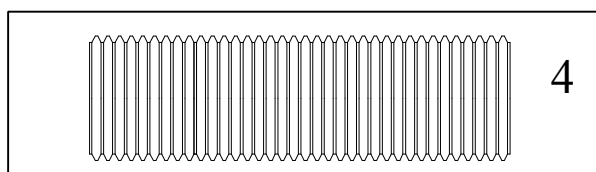
Apply polyurethane adhesive on the back side of the medallion staying approximately 3/4" away from edge. (polyurethane adhesive not included)



If required, standard or trim head screws can be used to secure medallion until adhesive sets. Screw heads should be recessed. (Screws not included)



**If any adhesive runs out during steps 1 or 2, use a wet cloth immediately to remove the excess.
The medallion is now installed!**



When you install the lighting fixture, you may need to replace the threaded nipple that comes with the lighting fixture, with the longer threaded nipple included with the ceiling medallion.