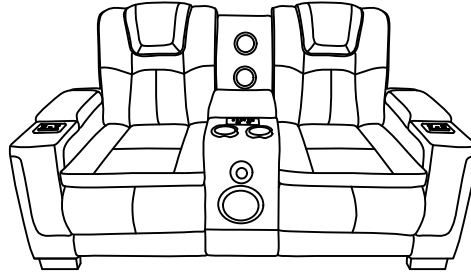


ASSEMBLY INSTRUCTIONS

SF-324L

Caution: Please read instructions thoroughly before unpacking assembly parts.
 Sharp, exposed staple tips can cause injury, therefore, for your protection, please remove any exposed staple used in packing



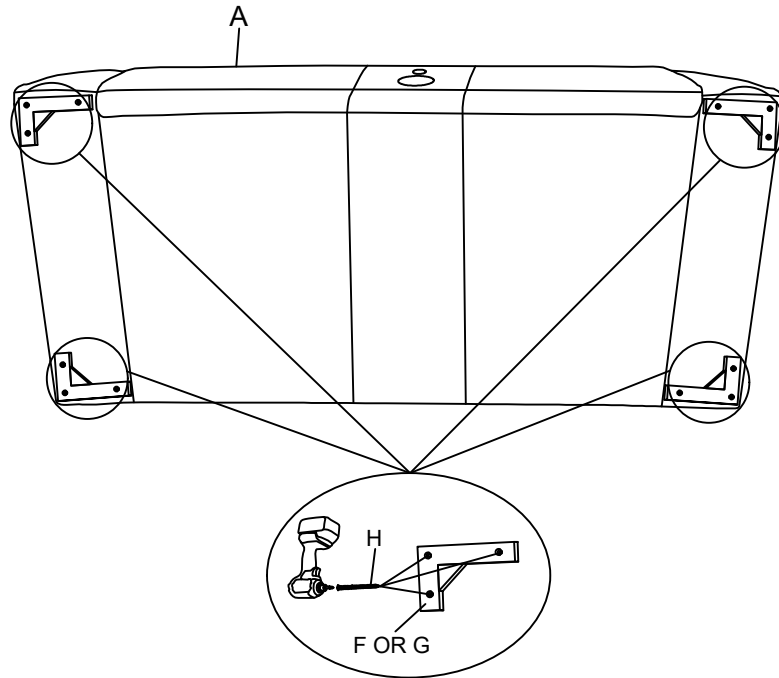
PARTS LIST:

NO.	DESCRIPTION	SKETCH	LOCATED IN	QTY	NO.	DESCRIPTION	SKETCH	LOCATED IN	QTY
A	LOVESEAT BODY		BOX 1 OF 1	1PC	E	ADAPTER OF BLUETOOTH SPEAKER		BOX 1 OF 1	1PC
B	BACK REST		BOX 1 OF 1	2PCS	F	LEFT LEGS		BOX 1 OF 1	2PCS
C	CONSOLE BACK REST		BOX 1 OF 1	1PC	G	RIGHT LEGS		BOX 1 OF 1	2PCS
D	ADAPTER		BOX 1 OF 1	1PC	H	SCREW M5X55MM		BOX 1 OF 1	12PCS
						NOT INCLUDED			

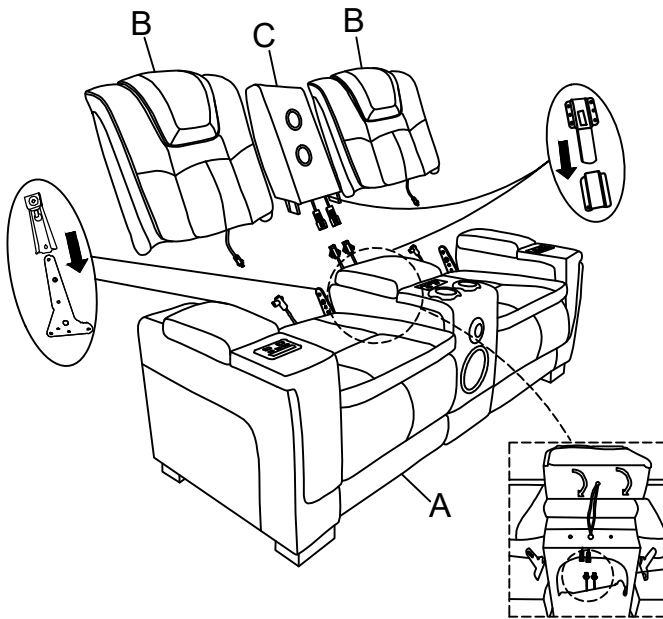
Assembly Tips:

- Identify all parts and components are complete based on the list above
- This assembly may require additional help (2 person set up)
- Be careful when sliding down wings and backs to avoid ripping the material with the rails

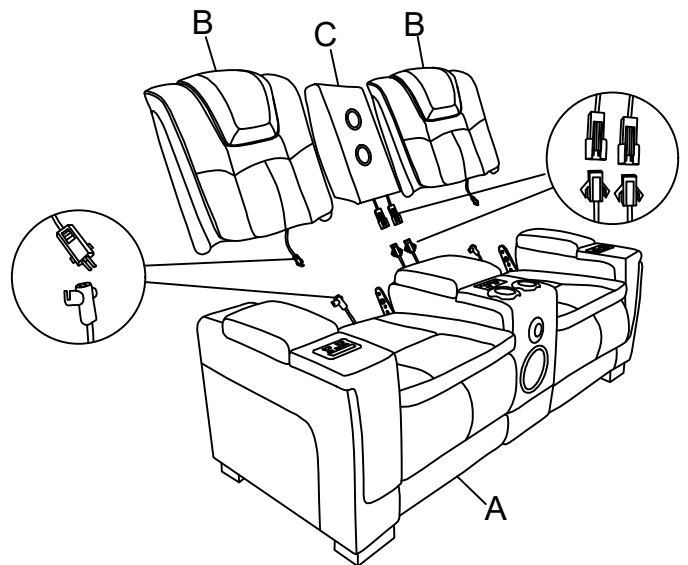
STEP 1 Screw legs (F) and (G) to Recliner body (A) as show below diagram .
 Use screw driving machine to screw (H) to left legs (F)& right legs (G) to Loveseat body (A)
 as show below diagram .



STEP 2 Install the BACKREST (B) and CONSOLE BACKREST (C) to the LOVESEAT BODY (A)



STEP 3 Align and connect the extension wire from the CONSOLE BACKREST (C) and BACKREST (B) to the LOVESEAT BODY (A)



STEP 4

Connect the extension wire of ADAPTER (D) and ADAPTER OF BLUETOOTH SPEAKER (E) to the wires on the back of Loveseat. Plug the ADAPTER into the wall outlet. Press the button on the Control Switch to adjust the Loveseat. Press the button on the Bluetooth Speaker Control to adjust the Bluetooth Speaker.

