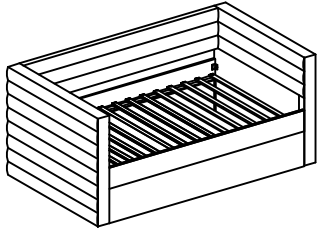


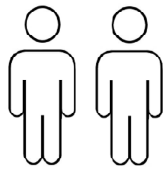
# ASSEMBLY INSTRUCTION



## + Do Not Use Power Tools



## + Suggested Adults



### NOTE:

- 1 Read instructions cover to cover.
- 2 Save all packaging until assembly is completed.

### 1 IMPORTANT SAFETY INFORMATION

**Do not** assemble the product if any of the following parts arrived damaged:

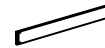
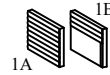
- Part # - Side Rails
- Part # - Center Support Bar
- Part # - Support Legs
- Part # - Slats

### 2 IMPORTANT ASSEMBLY INFORMATION

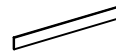
**Assembly Step** Ensure the side rail bracket is fully hooked onto bolt loosely threaded with both washers on the **OUTSIDE** of the bracket first, then proceed to fully tightening all 4 corners.

## + Parts Included

- ① Arm (2 of pcs)      ② Back Panel (1 of pc)      ③ Slat 13 Pcs (1 of pc)



- ④ Front Side Rail (PU) (1 of pc)      ⑤ Back Side Rail (1 of pc)      ⑥ Trundle Front Panel (PU) (1 of pc)



- ⑦ Trundle Back Panel (1 of pc)      ⑧ Trundle Side Panel (2 of pcs)      ⑨ Trundle Slat 13 Pcs (1 of pc)



- ⑩ Wooden Block (4 of pcs)

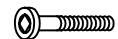


## + Hardware Included

- A Allen Key M5 x 70mm (1 of pc)      B Allen Key M4 x 65mm (1 of pc)      C CSK M4 x 16mm (24 of pcs)



- D CSK M4 x 32mm (64 of pcs)      E JCBB M8x20mm (16 of pcs)      F JCBC M6x50mm (4 of pcs)

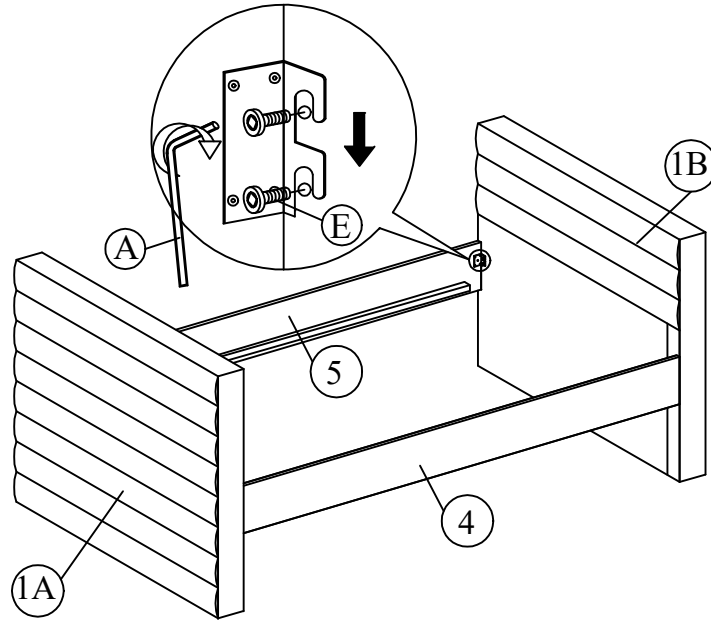


- G Roller (6 of pcs)      H Spring Washer (4 of pcs)      I Flat Washer (4 of pcs)

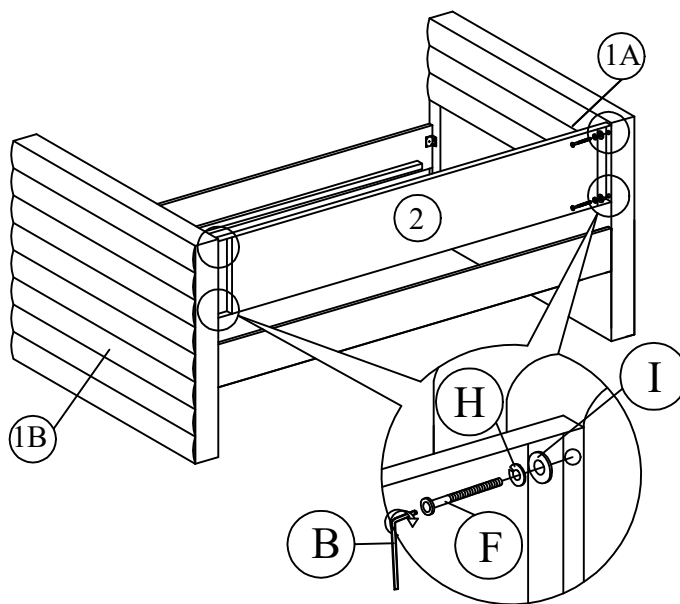


# ASSEMBLY INSTRUCTION

①



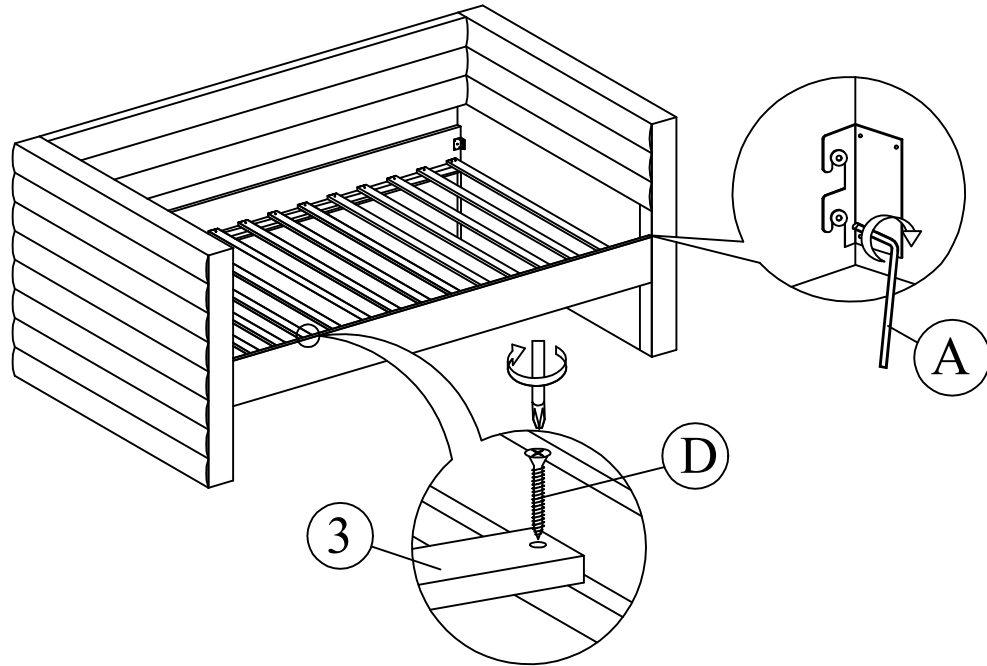
②



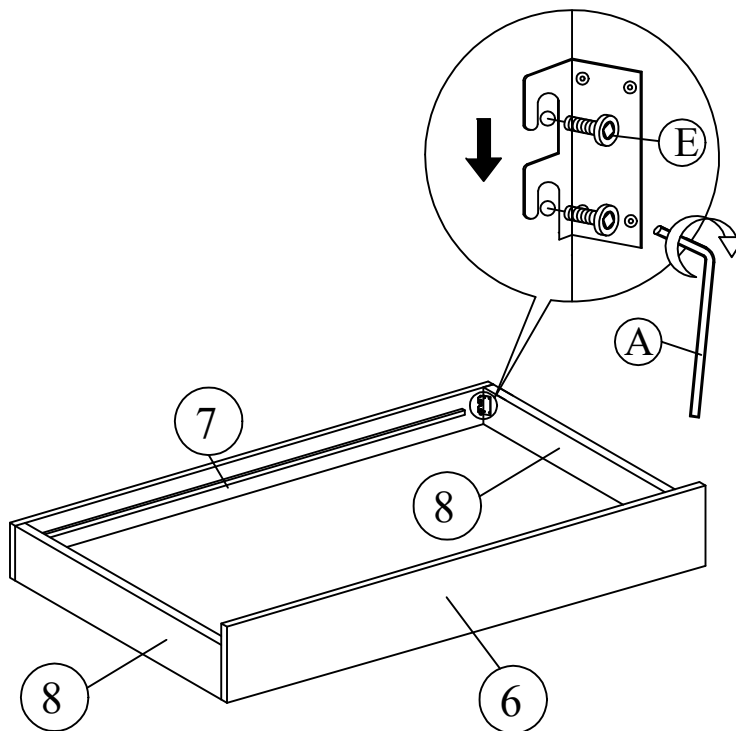
BACK VIEW

# ASSEMBLY INSTRUCTION

3

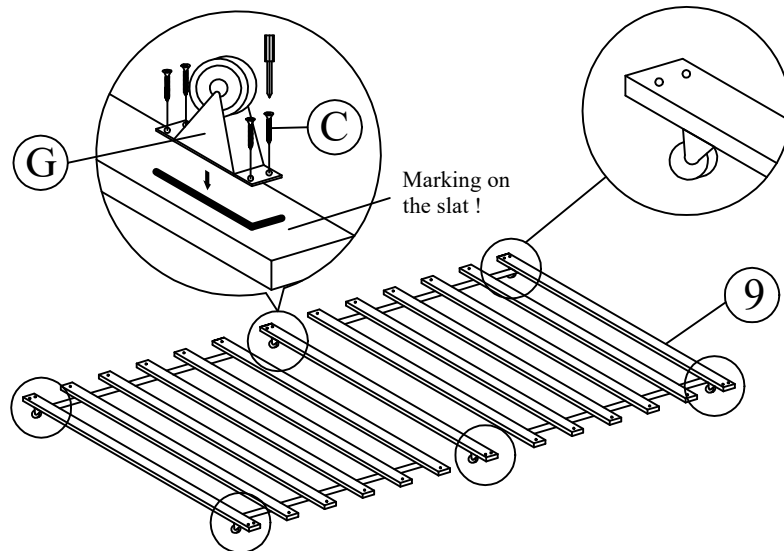


4

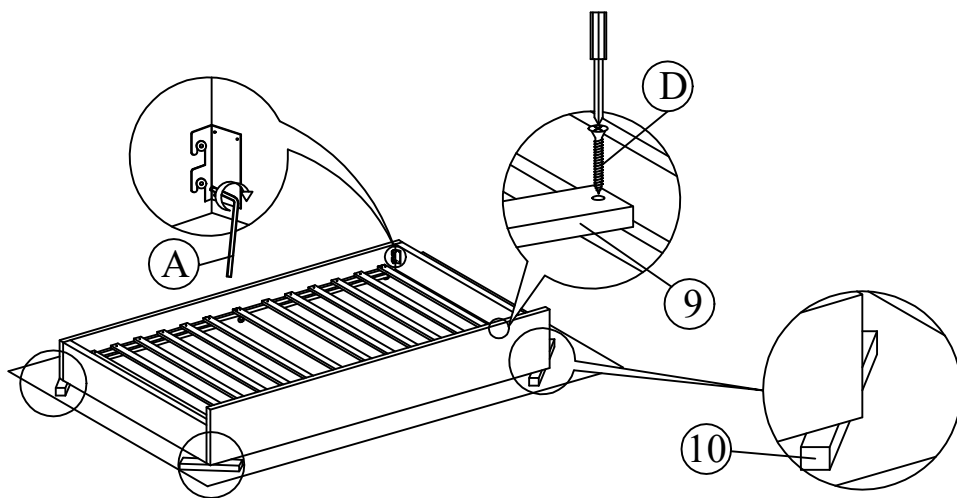


# ASSEMBLY INSTRUCTION

5

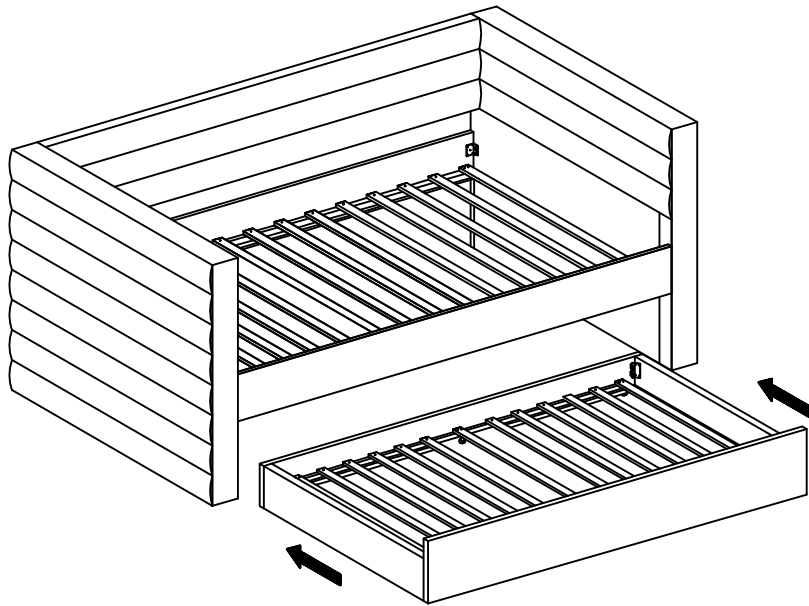


6



# ASSEMBLY INSTRUCTION

7



8

